

DUO³⁵⁰

DUO350W-W
 SAP CODE: 2001203

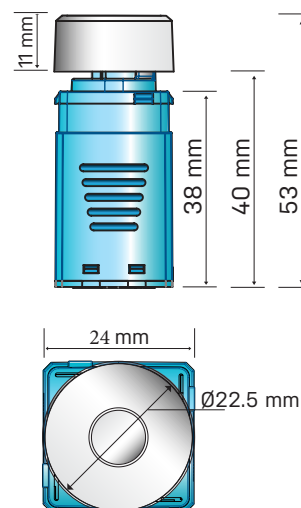
Push Button Dimmer Switch

The DUO phase-cut (trailing edge) Dimmer Switch is designed to ensure trouble-free dimming with Haneco lights.

Accessories

Black Dimming Knob
 DUO-KNOB-BK
 SAP CODE: 2001214

DUO Load Correction capacitor
 LCC25UF
 SAP CODE: 2001210



QUICK FACTS

- Trailing edge dimmer suitable for compatible Haneco fittings
- Maximum load 350W (e.g. over thirty 10W downlights)
- Compatible with standard wall plates and apertures
- Easy adjustment of minimum or maximum dimming
- 2-way and 3-way switching compatible
- Integrated switch and dimmer knob
- On/off switch can be disabled
- Easy to locate in the dark with subtle backlighting
- Simple 2 wire design for easy installation
- 3 year warranty

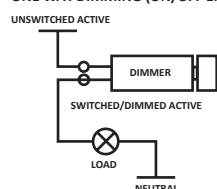
DERATING LEVELS

Multigang Derating	Max Load (at 25°)	Max Load (at 50°)
1	350W	175W
2	300W	150W
3	250W	125W
4	200W	100W

SPECIFICATIONS

Dimming Method	Phase-Cut Dimming (TE)
Supply Voltage	220-240V, 50/60Hz
Max. Load Wattage	350W
Dimming Range	2%-100%
Operating Ambient Temp.	0 to 50°C
Thermal Derating	25 to 50°C
Weight	25g
Backlight On	Push Button (4 Clicks)
On/Off Enable	Push Button (5 Clicks)
Backlight Off	Push Button (6 Clicks)
On/Off Disable	Push Button (7 Clicks)
Dimming Range 10%-100%	Push Button (8 Clicks)
Dimming Range 2%-100%	Push Button (9 Clicks)
Overcurrent Protection	Yes
Overvoltage Protection	Yes
Overtemperature Protection	Yes
Noise Immunity	Yes
Retain Dimmer Setting	Yes
Mechanical Stop (set min/max brightness)	Yes
Connection Type	110mm Flying Leads
Housing	Acrylic
Connection Insulation	PVC

ONE WAY DIMMING (ON/OFF ENABLED)



TWO WAY SWITCHING (ON/OFF DISABLED)

