

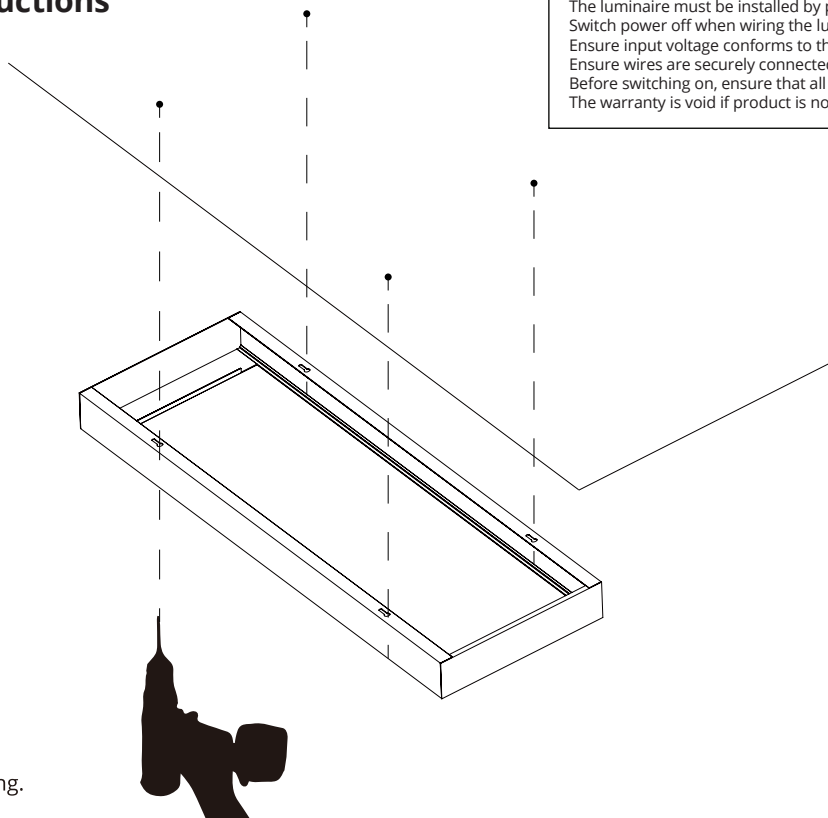
## MATRIX<sup>G3</sup> + SURFACE MOUNT FRAME

Thanks for choosing our MATRIX G3 Power Switchable Tritone 12x3 Panel + Surface Mount Frame. We strongly recommend that you read this manual carefully before installation.

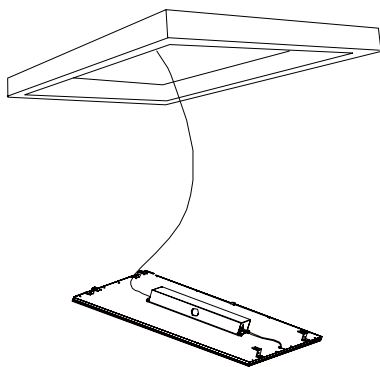
### Installation Instructions

#### WARNING

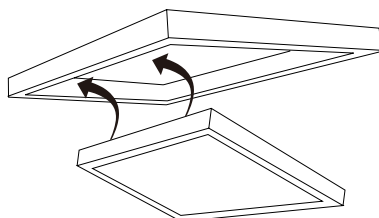
The luminaire must be installed by professional electrician.  
Switch power off when wiring the luminaire.  
Ensure input voltage conforms to the voltage range of product.  
Ensure wires are securely connected.  
Before switching on, ensure that all the wiring is correct.  
The warranty is void if product is not installed according to the instructions.



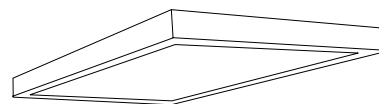
1. Fasten panel to ceiling.



2. Feed cable through frame into ceiling.

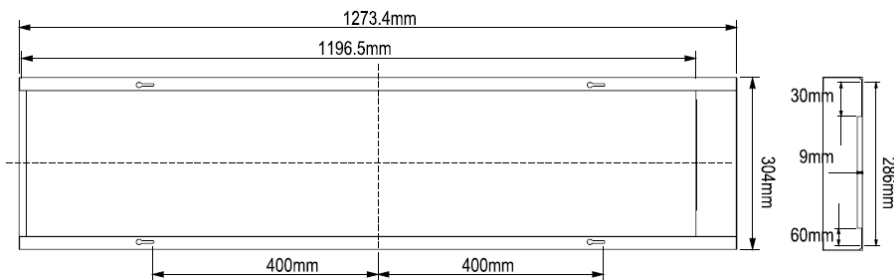


3. Angle panel into frame



4. Lower panel, ensuring secure fit

### Dimensions



Product Code:  
**MATRIX0312-PS-SM**