

QUICK FACTS

Input power	15W
Power Factor	≥ 0.9
IP Rating	20
Dimming	N/A
Lumen output	1100lm/ 1200lm/ 1200lm
CCT	3000K/ 4200K/ 5700K
CRI	80
Beam Angle	120°
Fascia Colour	White
Installation	Surface Mounted
Warranty	5 years

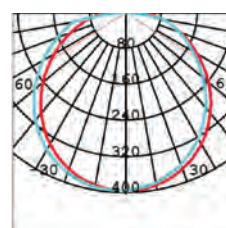
PRODUCT SPECIFICATIONS

Supply Voltage	220-240V
Supply Frequency	50-60Hz
Cable	NO
Base	Steel
Diffuser	Acrylic
Driver	Integral
Weight	G.W : 0.75kgs N.W : 0.66kgs
Ambient Temp	-30°C - 40°C
Avg. lifetime	≥50,000 hrs@ ta 25°C

PHOTO



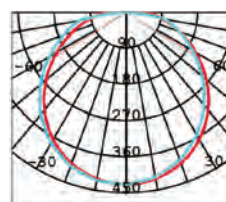
PHOTOMETRIC DIAGRAM



UNIT: cd

— C0/180 115.1deg

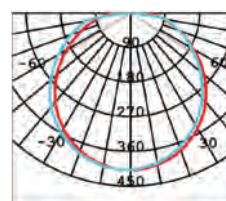
— C90/270 118.0deg



UNIT: cd

— C0/180 115.5deg

— C90/270 117.4deg

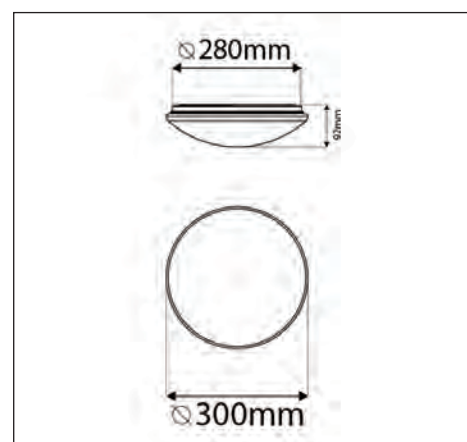


UNIT: cd

— C0/180 115.2deg

— C90/270 118.0deg

DIMENSIONS



Subject to change without notice, errors and omission excepted. Always make sure to use the most recent release.