

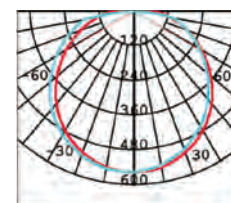
QUICK FACTS

Input power	25W
Power Factor	≥ 0.9
IP Rating	20
Dimming	N/A
Lumen output	1680lm/ 1840lm / 1800lm
CCT	3000K/ 4200K/ 5700K
CRI	80
Beam Angle	120°
Fascia Colour	White
Installation	Surface Mounted
Warranty	5 years

PHOTO

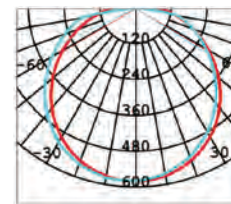


PHOTOMETRIC DIAGRAM



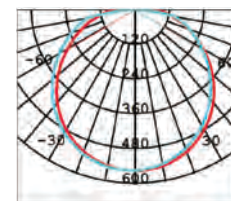
UNIT: cd

- C0/180 118.1deg
- C90/270 122.1deg



UNIT: cd

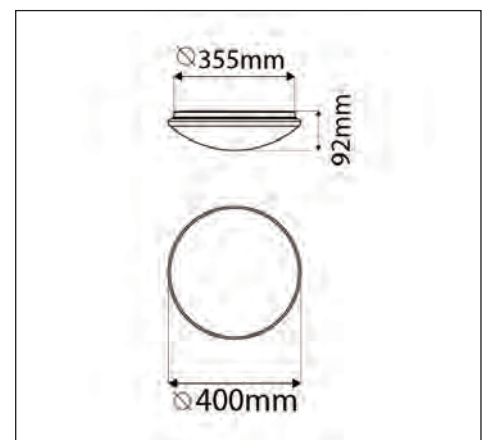
- C0/180 118.3deg
- C90/270 122.3deg



UNIT: cd

- C0/180 118.4deg
- C90/270 121.8deg

DIMENSIONS



PRODUCT SPECIFICATIONS

Supply Voltage	220-240V
Supply Frequency	50-60Hz
Cable	NO
Base	Steel
Diffuser	Acrylic
Driver	Integral
Weight	G.W : 1kgs N.W : 0.85kgs
Ambient Temp	-30°C - 40°C
Avg. lifetime	≥50,000 hrs@ ta 25°C

Option:
Emergency Pack, Emergency w/
Microwave Sensor

Subject to change without notice, errors and omission excepted. Always make sure to use the most recent release.