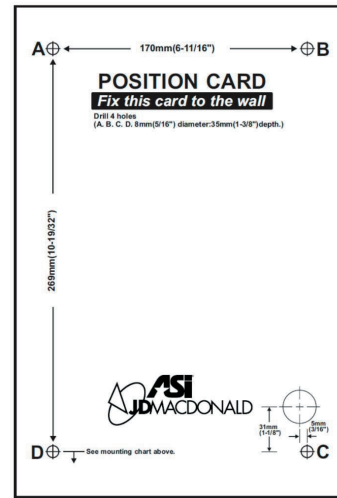
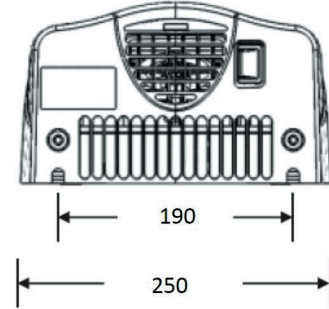
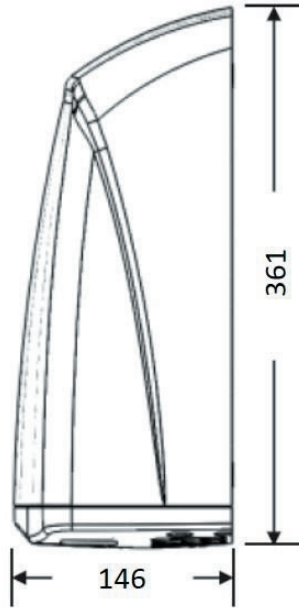


APPLAUSE AUTOMATIC HAND DRYER

Hand Dryers



Please use installation template supplied with product before commencing installation

NOTE:
ALL DIM'S INCH [MM]

Scan for information



PRODUCT OVERVIEW

Automatic hand dryer with sensor operation. Engineered to suit washrooms requiring low noise levels. Streamlined, minimal design for smaller environments. Durable steel casing with theft resistant torx screws. Tamper-proof & safe intake opening. Pivot bracket inside cover for ease of installation.

KEY FEATURES & SPECIFICATIONS

- Electrical Supply: AC, 220-240V, 50/60Hz, 1000 Watt, 4.A
- Motor: 100 Watt, Dual Ball Bearings
- RPM: 2,800
- Element: 900 Watt
- Air Speed: 43.2 km/hr
- Noise Level: 55.1 dB-A @2M
- Drying Time: Under 30 seconds
- Weight: 4.6kg (Shipping 5.2kg)
- Certificate of Suitability No: GMA-500004
- Electrical Safety Requirement: AS/NZS 60335.2.23:2004
- Protection Category: IPX1

OPERATION & MAINTENANCE

Periodic cleaning of the unit is recommended to ensure optimum performance.

- Disconnect the electrical supply.
- Remove the two cover-mounting screws.
- Remove the cover.
- Clean all dust lint from the interior of the dryer.
- Wipe the cover with a damp cloth and mild cleaning solution. Do not Soak. Never use abrasives to clean the cover.
- Replace the cover. Do not over tighten the screws.

TECHNICAL INFORMATION / PRODUCT PROPERTIES

Property	Value
Dimensions	250 x 361 x 146 mm
Construction	HDAPWHT White powder coated formed steel, 1.2mm thick Powder coated, white HDAPPSS Stainless steel, 1.2mm thick Polished (bright) HDAPSSS Stainless steel, 1.2mm thick Satin
Mounting	Surface Mounted
Electrical	AC, 220-240V, 50/60Hz, 1000 Watt, 4.A

INSTALLATION

Electrical connection by cord & plug (as supplied). Can be direct wired by an electrician. Refer to Operating Instructions and Parts Manual for detailed instructions.

RECOMMENDED INSTALLATION HEIGHTS*

- Men's washroom 1270mm
- Women's washroom 1194mm
- Children's washroom ages 4-7 889mm
- Children's washroom ages 8-10 991mm
- Children's washroom ages 11-13 1092mm
- Children's washroom ages 14-16 1194mm
- Accessible Compliant washroom 1016mm

WARRANTY

1 year parts and labour