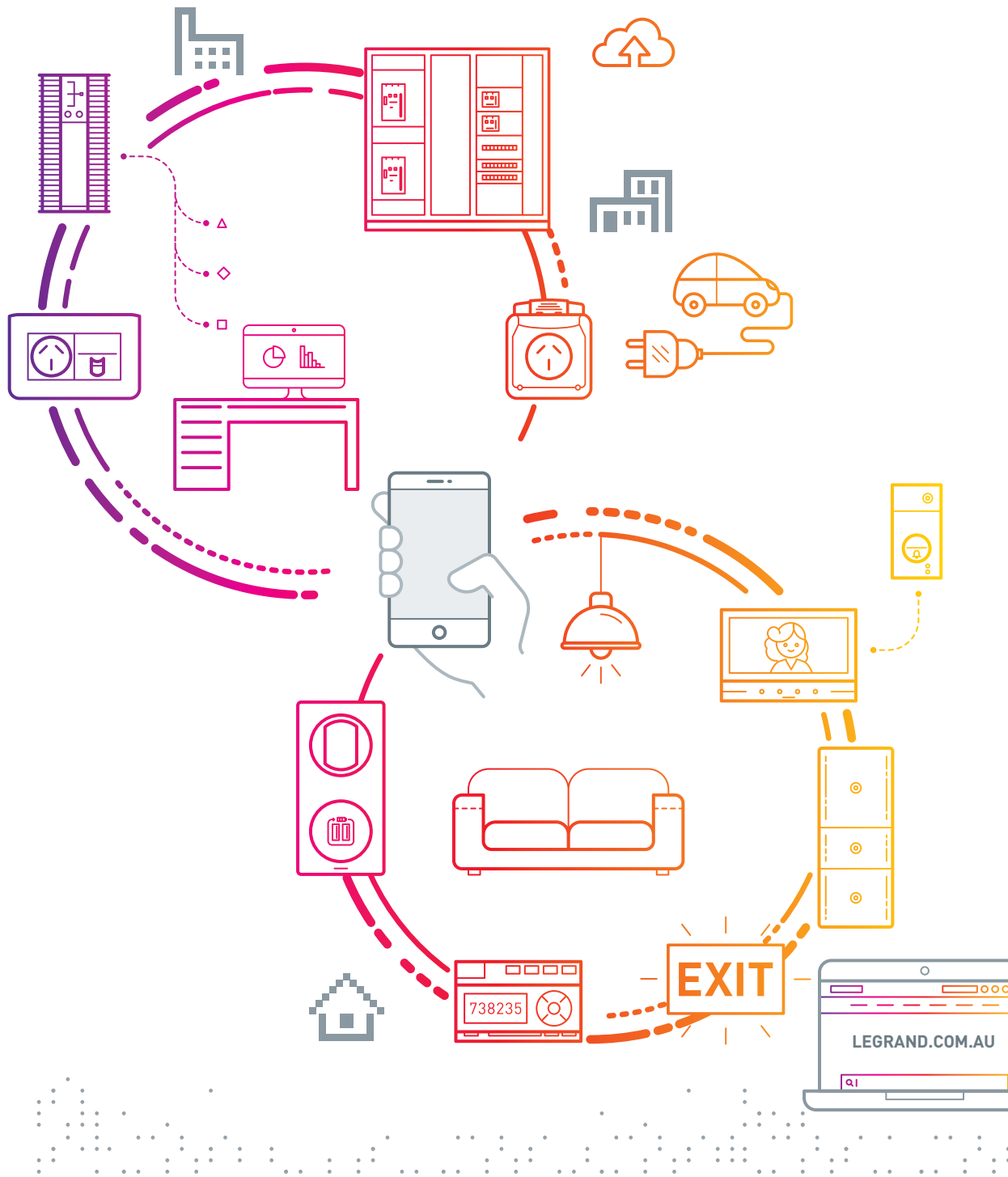


CATALOGUE



THE GLOBAL SPECIALIST
IN ELECTRICAL AND DIGITAL BUILDING INFRASTRUCTURES

2017-
2018



P. 23
TX³ MCBs



P. 24
Isolating
Switches

MCBs, RCCBs and RCBOs



P. 30
Voltage Surge
Protectors



P. 31
CX³ Modular
Contactors

**Surge Protectors, Contactors
and Time Switches**



P. 58
Consumer
Units



P. 58
Plexo³ IP65
Enclosures

**Distribution Boards
and Enclosures**



P. 68
Industrial Plugs
and Sockets
IP66/67, IP44/55



P. 74
Industrial
Enclosures

**Industrial Equipment
and Accessories**



P. 106
Arteor



P. 120
Archimetal

Switches and Powerpoint Series



P. 211
Como



P. 219
Standard

Switches and Powerpoint Series



P. 264
Clips and
Brackets



P. 265
Wall Boxes

**General Wiring Accessories
& Mobile Products**



P. 282
Home
Automation
Kits



P. 284
NUVOTM
Multiroom Audio

Home Automation and Door Entry



P. 290
Wall Exhaust
Fans



P. 290
Ceiling
Exhaust Fans

Ventilation



P. 300
Fixtures



P. 309
Lamps

Lighting and Sensors



P. 328
Axiom Emergency
Lighting System



P. 328
Emergency
Testing Systems

**Emergency Lighting
and Testing Systems**



P. 358
Indoor LED
Luminaires



P. 359
Indoor Batten
Luminaires

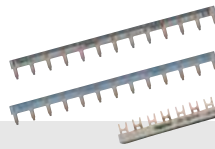
Commercial Lighting



P. 25
TX³ RCCBs



P. 27
RCBOs



P. 28
Connection
Accessories



P. 29
Plug-in
MCBs



P. 31
Changeover
Switches



P. 26
Compact
RCBOs



P. 32
Analogue
Time Switches



P. 32
Digital
Time Switches



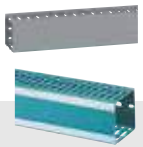
P. 59
Load
Centres



P. 61
IP42
Distribution
Boards



P. 63
IP55 Distribution
Boards



P. 76
Cable
Ducting



P. 78
Marking
Systems



P. 88
Terminal
Blocks



P. 91
Ferrules and
Crimping Tools



P. 125
Linea



P. 141
Excel Life



P. 180
Excel



P. 203
Mechanisms



P. 228
Aqua
Weatherproof



P. 231
Soliroc
Weatherproof



P. 266
Mounting
Blocks



P. 268
Junction Boxes



P. 271
Plug Tops
and Bases



P. 273
Powerboards and
Extension Leads



P. 283
Door Entry
System Kits



P. 285
Door Chimes



P. 291
In-Line
Exhaust Fan



P. 292
Bathroom
Heaters



P. 293
Ceiling
Sweep Fans



P. 294
Hand Dryers



P. 320
Lighting
Accessories



P. 322
Motion Sensors



P. 322
Photoelectric
Smoke Alarm



P. 324
Garden
Lighting



P. 329
Emergency
Exit Signs



P. 338
LED Satellite
Series



P. 337
Emergency
Luminaires



P. 344
Power Packs
and Batteries



P. 361
Industrial
Weatherproof
Battens



P. 361
Industrial LED
Highbays



P. 365
Outdoor LED
Bulkheads



P. 366
Lighting
Management

Catalogue number index

| Cat. No | Page No | Box/ Carton | Cat. No | Page No | Box/ Carton | Cat. No | Page No | Box/ Carton | Cat. No | Page No | Box/ Carton | Cat. No | Page No | Box/ Carton | Cat. No | Page No | Box/ Carton |
|------------|---------|-------------|-------------|---------|-------------|--------------|---------|-------------|------------|---------|-------------|--------------|---------|-------------|---------|---------|-------------|
| 1 | | | 143 | 264 | 20/200 | 246 | 270 | 100 | 222435 | 340 | 1 | 359WE | 321 | 10/500 | 35960 | 74 | 5 |
| | | | 143/2 | 218 | 20/120 | 247 | 270 | 100 | 222435 | 359 | 1 | 360/W1WE | 320 | 5/100 | 35970 | 74 | 2 |
| 1/788BE | 222 | 10/200 | 143/2V | 218 | 20/120 | 248 | 270 | 100 | 222439 | 340 | 1 | 360WE | 320 | 10/200 | 35971 | 74 | 2 |
| 1/788P15WE | 223 | 10/200 | 143/2V | 264 | 20/120 | 250LMBL | 206 | 20/400 | 222439 | 359 | 1 | 366BR | 320 | 10/200 | 35980 | 74 | 2 |
| 1/788PWWE | 222 | 10/200 | 143U | 264 | 10/120 | 250LMCR | 206 | 20/400 | 222442 | 340 | 1 | 366LYWE | 320 | 10/200 | 35981 | 74 | 2 |
| 1/788WE | 222 | 10/200 | 148WE | 266 | 5 | 250LMWE | 206 | 20/400 | 222442 | 360 | 1 | 366SWE | 320 | 10/200 | 35990 | 74 | 1 |
| 1A770CXWE | 225 | 10/200 | 149BL | 266 | 5/90 | 250LWE | 220 | 3/108 | 222445 | 340 | 1 | 366WE | 320 | 10/200 | 35991 | 74 | 1 |
| 1A770PLWE | 227 | 20/400 | 149CR | 266 | 5/90 | 250TMLB | 206 | 20/400 | 222445 | 360 | 1 | 366YWE | 320 | 10/200 | 36201 | 76 | 56 |
| 1A770PWWE | 219 | 10 | 149WE | 266 | 5/90 | 250TMCR | 206 | 20/400 | 222580 | 340 | 1 | 368/1WE | 320 | 10/160 | 36213 | 76 | 56 |
| 1A770WE | 219 | 10 | 150BL | 266 | 10 | 250TMWE | 206 | 20/400 | 222580 | 360 | 1 | 368WE | 320 | 10/160 | 37100 | 88 | 60/1200 |
| | | | 150CR | 266 | 10 | 250TWE | 220 | 3/108 | 222581 | 340 | 1 | 380 | 320 | 40/680 | 37101 | 88 | 50/1000 |
| | | | 150WE | 266 | 10 | 2000 | | | 222581 | 360 | 1 | 381 | 320 | 40/680 | 37102 | 88 | 40/800 |
| | | | 156BL | 268 | 10/200 | 2000EWE | 220 | 3/108 | 223019 | 328 | 1 | 388 | 320 | 40/680 | 37103 | 88 | 30/600 |
| | | | 156WE | 268 | 10/200 | 2400EWE | 220 | 3/108 | 223185 | 328 | 1 | 390 | 320 | 40/960 | 37104 | 88 | 20/180 |
| | | | 170 | 268 | 5 | 20000 | | | 226760 | 340 | 1 | 3000 | | | 37105 | 88 | 20/180 |
| | | | 192BL | 266 | 5 | 201058 | 328 | 1 | 226760 | 360 | 1 | 03705 | 32 | 30 | 37107 | 88 | 60/660 |
| | | | 192WE | 266 | 5 | 201559 | 339 | 1 | 3 | | | 03928 | 30 | 5/20 | 37108 | 88 | 60/600 |
| | | | 1000 | | | 201559 | 359 | 1 | 3G788WE | 224 | 5 | 03934 | 30 | 5/20 | 37160 | 88 | 60/1200 |
| 100LCL | 271 | 10/200 | 1000LMWE | 206 | 20/400 | 201559 | 363 | 1 | 3SPKNOBBL | 207 | 10/100 | 03944 | 30 | 5/20 | 37161 | 88 | 50/1000 |
| 100LWE | 271 | 10/200 | 1000LWE | 220 | 3/108 | 201559 | 359 | 1 | 3SPKNOBCR | 207 | 10/100 | 30000 | | | 37162 | 88 | 40/800 |
| 106/1BL | 271 | 10/200 | 1000TMWE | 206 | 20/400 | 201559 | 359 | 1 | 3SPKNOBWE | 207 | 10/100 | 033154 | 169 | 10 | 37163 | 88 | 30/600 |
| 106/1WE | 271 | 10/200 | 1000TWE | 220 | 3/108 | 204008 | 340 | 1 | 30 | | | 033155 | 169 | 10 | 37164 | 88 | 20/180 |
| 106/2WE | 271 | 10/200 | 01301 | 58 | 10/100 | 204008 | 359 | 1 | 33B | 272 | 10/200 | 033160 | 169 | 10 | 37165 | 88 | 20/180 |
| 106/3WE | 271 | 10/200 | 01302 | 58 | 10/100 | 204010 | 340 | 1 | 33WE | 271 | 10/200 | 033161 | 169 | 10 | 37166 | 88 | 10/60 |
| 106/4WE | 271 | 10/200 | 01304 | 58 | 10/40 | 204010 | 359 | 1 | 34BCL | 272 | 10/200 | 033180 | 169 | 10 | 37167 | 88 | 60/660 |
| 106/5WE | 271 | 10/200 | 01306 | 58 | 5/30 | 204011 | 340 | 1 | 35BL | 272 | 10/200 | 033181 | 169 | 10 | 37168 | 88 | 60/660 |
| 106/6WE | 271 | 10/200 | 01308 | 58 | 5 | 204011 | 359 | 1 | 35WE | 272 | 10/200 | 34211 | 270 | 10/500 | 37168 | 88 | 60/660 |
| 106/7WE | 271 | 10/200 | 1310F6 | 208 | 10/2000 | 204012 | 359 | 1 | 37/2CL | 272 | 5/50 | 34213 | 270 | 10/250 | 37170 | 88 | 60/1200 |
| 106/8WE | 271 | 10/200 | 1310FL | 208 | 10/100 | 204012 | 359 | 1 | 37/15CL | 272 | 10/100 | 34215 | 270 | 10/200 | 37171 | 88 | 50/1000 |
| 137/1BL | 267 | 10/160 | 1310FSBL | 208 | 10/400 | 204014 | 340 | 1 | 37B | 272 | 10/200 | 34217 | 270 | 10/100 | 37172 | 88 | 30/300 |
| 137/1WE | 267 | 10/160 | 1310FSCR | 208 | 10/400 | 204014 | 359 | 1 | 37BL | 271 | 10/200 | 34219 | 270 | 10/50 | 37173 | 88 | 30/300 |
| 137BL | 267 | 10/350 | 1310FSWE | 208 | 10/400 | 204015 | 340 | 1 | 37CL | 271 | 10/100 | 34221 | 75 | 10 | 37174 | 88 | 10/100 |
| 137CR | 267 | 10/350 | 1311S2 | 209 | 10/200 | 204015 | 359 | 1 | 37RCL | 271 | 10/100 | 35007 | 74 | 10 | 37175 | 88 | 10/100 |
| 137DBL | 267 | 10/270 | 1312S4 | 209 | 10/200 | 222023 | 340 | 1 | 38/1WE | 272 | 10 | 35013 | 74 | 10 | 37175 | 88 | 10/100 |
| 137DCHWE | 268 | 10/300 | 1312S4 | 209 | 10/200 | 222023 | 342 | 1 | 38/2RWE | 272 | 10/200 | 35017 | 74 | 10 | 37180 | 89 | 20/640 |
| 137DCR | 267 | 10/270 | 01491 | 60 | 50 | 222023 | 359 | 1 | 38/15BL | 272 | 10 | 35022 | 74 | 5 | 37181 | 89 | 20/640 |
| 137DWE | 267 | 10/270 | 01955 | 58 | 8 | 222023 | 360 | 1 | 38/20WE | 272 | 10/200 | 35028 | 74 | 5 | 37187 | 89 | 20/200 |
| 137H3WE | 267 | 10 | 01961 | 58 | 20/200 | 222023 | 363 | 1 | 38/25WE | 272 | 10/200 | 35033 | 75 | 2 | 37188 | 89 | 20/200 |
| 137H4WE | 267 | 10 | 01966 | 58 | 50 | 222024 | 364 | 1 | 38A0BL | 271 | 10/200 | 35043 | 74 | 2 | 37192 | 89 | 25/250 |
| 137H5WE | 267 | 10 | 01969 | 58 | 20 | 222024 | 340 | 1 | 38A0WE | 272 | 10/200 | 35044 | 75 | 2 | 37192 | 89 | 25/250 |
| 137H6WE | 267 | 10 | 2 | | | 222024 | 342 | 1 | 38A1BL | 272 | 10/200 | 35047 | 75 | 1 | 37501 | 90 | 20/880 |
| 137H8WE | 267 | 10 | 2/770PBE | 219 | 5 | 222024 | 343 | 1 | 38A1WE | 272 | 10/200 | 35054 | 74 | 1 | 37502 | 90 | 50/2200 |
| 137HS3WE | 267 | 10 | 2/770PLWE | 226 | 10 | 222024 | 360 | 1 | 38A3BL | 272 | 10/200 | 35058 | 74 | 1 | 37510 | 90 | 50/1000 |
| 137HS4WE | 267 | 10 | 2/770PWWE | 219 | 5 | 222026 | 364 | 1 | 38A3WE | 272 | 10/200 | 35058 | 74 | 1 | 37511 | 90 | 20/500 |
| 137HS5WE | 267 | 10 | 2/770WE | 219 | 5 | 222026 | 342 | 1 | 38BL | 272 | 10/200 | 35072 | 74 | 5 | 37512 | 90 | 10/250 |
| 137HS6WE | 267 | 10 | 2/788PBE | 223 | 10/200 | 222026 | 343 | 1 | 38RWE | 272 | 10/200 | 35078 | 74 | 5 | 37513 | 90 | 20/500 |
| 137HS8WE | 267 | 10 | 2/788PWWE | 223 | 10/200 | 222027 | 360 | 1 | 38WE | 271 | 10/200 | 35083 | 75 | 2 | 37540 | 90 | 10/100 |
| 137V3WE | 267 | 10 | 2WS38 | 230 | 40 | 222027 | 340 | 1 | 300 | | | 35084 | 75 | 2 | 37542 | 90 | 10/100 |
| 137V4WE | 267 | 10 | 2WS38P | 230 | 40 | 222027 | 360 | 1 | 300FMWE | 207 | 20/160 | 35084 | 75 | 5/20 | 37546 | 90 | 10/1000 |
| 137V5WE | 267 | 10 | 2WS38R | 230 | 40 | 222027 | 340 | 1 | 300FWE | 220 | 3 | 35084 | 75 | 5/10 | 37550 | 90 | 100/2000 |
| 137V6WE | 267 | 10 | 2WS170 | 228 | 5/60 | 222027 | 360 | 1 | 303/1F | 321 | 10/500 | 35085 | 75 | 5/10 | 37551 | 90 | 20/800 |
| 137V8WE | 267 | 10 | 2WS170/15 | 228 | 5/60 | 222027 | 340 | 1 | 310/10WE | 321 | 10/200 | 35085 | 75 | 5/10 | 37552 | 90 | 20/800 |
| 137VS3WE | 267 | 10 | 2WS170PP | 228 | 5/60 | 222343 | 328 | 1 | 310WE | 321 | 10/200 | 35085 | 74 | 10 | 37556 | 90 | 20/600 |
| 137VS4WE | 267 | 10 | 200 | | | 222423 | 340 | 1 | 326 | 265 | 10 | 35085 | 74 | 10 | 37560 | 90 | 20/800 |
| 137VS5WE | 267 | 10 | 239BL | 268 | 8/80 | 222423 | 359 | 1 | 333BL | 321 | 10/500 | 35085 | 74 | 10 | 37562 | 90 | 10/400 |
| 137VS6WE | 267 | 10 | 239WE | 268 | 8/80 | 222426 | 340 | 1 | 333SKWE | 321 | 10/500 | 35085 | 74 | 10 | 37568 | 90 | 10 |
| 137VS8WE | 267 | 10 | 243 | 264 | 20/120 | 222426 | 359 | 1 | 333WE | 321 | 10/500 | 35085 | 74 | 5 | 37569 | 90 | 10 |
| 137WE | 267 | 10/350 | | | | 222429 | 340 | 1 | 359/10WE | 321 | 10/500 | 35085 | 74 | 5 | 37606 | 92 | 20 |
| 138BL | 267 | 10/200 | | | | 222429 | 359 | 1 | | | | 35812 | 75 | 5/40 | 37606 | 92 | 20 |
| 138WE | 267 | 10/200 | | | | 222429 | 359 | 1 | | | | 35814 | 75 | 5/20 | 37606 | 92 | 15 |
| 139BR | 266 | 5 | | | | 222429 | 359 | 1 | | | | 35815 | 75 | 5/10 | 37609 | 92 | 15 |
| 139BWE | 266 | 5 | | | | 222429 | 359 | 1 | | | | 35816 | 75 | 5/10 | 37610 | 92 | 15 |
| 139WE | 266 | 5 | | | | 222429 | 359 | 1 | | | | 35900 | 74 | 10 | 37639 | 92 | 1 |
| 140BL | 266 | 10/180 | | | | 222429 | 359 | 1 | | | | 35901 | 74 | 10 | 37641 | 92 | 3000 |
| 140CHWE | 268 | 10/180 | | | | 222429 | 359 | 1 | | | | 35930 | 74 | 10 | 37642 | 92 | 3000 |
| 140CR | 266 | 10/180 | | | | 222429 | 359 | 1 | | | | 35931 | 74 | 10 | 37643 | 92 | 3000 |
| 140WE | 266 | 10/180 | | | | 222429 | 359 | 1 | | | | 35940 | 74 | 10 | 37644 | 92 | 3000 |
| 141BL | 268 | 10 | | | | 222429 | 359 | 1 | | | | 35941 | 74 | 10 | 37645 | 92 | 2500 |
| 141WE | 268 | 10 | | | | 222432 | 340 | 1 | | | | 35950 | 74 | 5 | 37646 | 92 | 200 |
| 143 | 218 | 20/200 | | | | 222432 | 359 | 1 | | | | 35951 | 74 | 5 | 37647 | 92 | 200 |

</

| Cat. No | Page No | Box/ Carton | Cat. No | Page No | Box/ Carton | Cat. No | Page No | Box/ Carton | Cat. No | Page No | Box/ Carton | Cat. No | Page No | Box/ Carton | Cat. No | Page No | Box/ Carton | | |
|---------|---------|-------------|---------|---------|-------------|---------|---------|-------------|---------|---------|-------------|-------------|--------------|-------------|----------|---------|-------------|--------|------|
| 37648 | 92 | 200 | 37932 | 86 | 1 | 38212 | 79 | 60000 | 38325 | 80 | 30000 | 40 | 403434 | 22, 23 | 10/100 | | | | |
| 37650 | 91 | 20000 | 37933 | 87 | 5000 | 38213 | 79 | 60000 | 38330 | 81 | 30000 | | 403435 | 23 | 10/100 | | | | |
| 37660 | 91 | 20000 | 37934 | 87 | 2000 | 38214 | 79 | 60000 | 38331 | 81 | 30000 | | 403436 | 22 | 10/100 | | | | |
| 37661 | 91 | 19200 | 37935 | 87 | 1000 | 38215 | 79 | 60000 | 38332 | 81 | 30000 | | 403436 | 23 | 10/100 | | | | |
| 37662 | 91 | 19200 | 37936 | 87 | 10000 | 38216 | 79 | 60000 | 38333 | 81 | 30000 | | 42/120 | 228 | 24 | 403436 | 34 | 10/100 | |
| 37663 | 91 | 40000 | 37937 | 87 | 10000 | 38217 | 79 | 60000 | 38334 | 81 | 30000 | | 42/120MT | 228 | 24 | 403437 | 23 | 10/100 | |
| 37664 | 91 | 40000 | 37938 | 87 | 5000 | 38218 | 79 | 60000 | 38335 | 81 | 30000 | | 42/220 | 228 | 24 | 403438 | 23 | 10/100 | |
| 37666 | 91 | 40000 | 37940 | 87 | 5000 | 38219 | 79 | 60000 | 38336 | 81 | 30000 | | 42/220MT | 228 | 24 | 403439 | 22 | 10/100 | |
| 37667 | 91 | 10000 | 37941 | 87 | 5000 | 38220 | 81 | 60000 | 38337 | 81 | 30000 | | 42/235 | 228 | 24 | 403439 | 23 | 10/100 | |
| 37668 | 91 | 10000 | 37942 | 87 | 2000 | 38221 | 81 | 60000 | 38338 | 81 | 30000 | | 42/235MT | 228 | 24 | 403439 | 34 | 10/100 | |
| 37669 | 91 | 4000 | 37943 | 87 | 2000 | 38222 | 81 | 60000 | 38339 | 81 | 30000 | | 42/320 | 228 | 24 | 403440 | 23 | 10/100 | |
| 37670 | 91 | 4000 | 37944 | 87 | 200 | 38223 | 81 | 60000 | 38340 | 81 | 30000 | | 42/320MT | 228 | 24 | 403524 | 23 | 5/50 | |
| 37671 | 91 | 2000 | 37954 | 86 | 24000 | 38224 | 81 | 60000 | 38341 | 81 | 30000 | | 42/335 | 228 | 24 | 403526 | 23 | 5/50 | |
| 37677 | 91 | 2000 | 37955 | 86 | 24000 | 38225 | 81 | 60000 | 38342 | 81 | 30000 | | 42/355 | 228 | 24 | 403528 | 23 | 5/50 | |
| 37678 | 91 | 1200 | 37956 | 86 | 24000 | 38226 | 81 | 60000 | 38343 | 81 | 30000 | | 42/355MT | 228 | 24 | 403529 | 23 | 5/50 | |
| 37687 | 91 | 12500 | 37957 | 86 | 24000 | 38227 | 81 | 60000 | 38344 | 81 | 30000 | | 400 | 403530 | 23 | 5/50 | | | |
| 37688 | 91 | 12500 | 37958 | 86 | 24000 | 38228 | 81 | 60000 | 38345 | 81 | 30000 | | | 400A2PMWE | 207 | 20/200 | 403531 | 23 | 5/50 |
| 37689 | 91 | 12500 | 37959 | 86 | 24000 | 38229 | 81 | 60000 | 38346 | 81 | 30000 | | | 400LMBL | 206 | 20/400 | 403532 | 23 | 5/50 |
| 37690 | 91 | 10000 | 37960 | 86 | 24000 | 38230 | 82 | 40000 | 38347 | 81 | 30000 | | | 400LMWE | 206 | 20/400 | 403533 | 23 | 5/50 |
| 37692 | 92 | 1 | 37989 | 87 | 10/500 | 38231 | 82 | 40000 | 38348 | 81 | 30000 | | | 400LWE | 220 | 3/108 | 403534 | 23 | 5/50 |
| 37697 | 92 | 4 | 37990 | 87 | 10/500 | 38232 | 82 | 40000 | 38349 | 81 | 30000 | | | 400TMBL | 206 | 20/400 | 403541 | 23 | 20 |
| 37710 | 86 | 10000 | 37991 | 87 | 10 | 38233 | 82 | 40000 | 38350 | 81 | 30000 | | | 400TMCR | 206 | 20/400 | 403543 | 23 | 20 |
| 37712 | 86 | 5000 | 37992 | 87 | 10/500 | 38234 | 82 | 40000 | 38351 | 81 | 30000 | | | 400TMWE | 206 | 20/400 | 403545 | 23 | 20 |
| 37780 | 85 | 30000 | 37993 | 87 | 10/500 | 38235 | 82 | 40000 | 38352 | 82 | 30000 | | | 400TWE | 220 | 3/108 | 403546 | 23 | 20 |
| 37781 | 85 | 30000 | 37994 | 87 | 1 | 38236 | 82 | 40000 | 38353 | 82 | 30000 | 401 | | 270 | 100/4500 | 403547 | 23 | 20 | |
| 37782 | 85 | 30000 | 38100 | 78 | 50000 | 38237 | 82 | 40000 | 38354 | 82 | 30000 | 401/1 | | 270 | 32 | 403548 | 23 | 20 | |
| 37783 | 85 | 30000 | 38101 | 78 | 50000 | 38238 | 82 | 40000 | 38355 | 82 | 30000 | 401J | | 270 | 32 | 403549 | 23 | 20 | |
| 37784 | 85 | 30000 | 38102 | 78 | 50000 | 38239 | 82 | 40000 | 38360 | 82 | 30000 | 401L | | 270 | 100/4500 | 403550 | 23 | 20 | |
| 37785 | 85 | 30000 | 38103 | 78 | 50000 | 38270 | 80 | 30000 | 38361 | 82 | 30000 | 401L | | 270 | 50/2500 | 403551 | 23 | 20 | |
| 37786 | 85 | 30000 | 38104 | 78 | 50000 | 38271 | 80 | 30000 | 38362 | 82 | 30000 | 402 | | 270 | 50/2500 | 404905 | 28 | 20/400 | |
| 37787 | 85 | 30000 | 38105 | 78 | 50000 | 38272 | 80 | 30000 | 38363 | 82 | 30000 | 402/1 | | 270 | 32 | 404906 | 28 | 20/400 | |
| 37788 | 85 | 30000 | 38106 | 78 | 50000 | 38273 | 80 | 30000 | 38364 | 82 | 30000 | 404 | | 268 | 10/200 | 404911 | 28 | 20/200 | |
| 37789 | 85 | 30000 | 38107 | 78 | 50000 | 38274 | 80 | 30000 | 38365 | 82 | 30000 | 405 | | 268 | 10/140 | 404912 | 28 | 10 | |
| 37801 | 85 | 30000 | 38108 | 78 | 50000 | 38275 | 80 | 30000 | 38366 | 83 | 30000 | 406 | | 268 | 10/140 | 404914 | 28 | 10 | |
| 37802 | 85 | 30000 | 38109 | 78 | 50000 | 38276 | 80 | 30000 | 38367 | 83 | 30000 | 413 | | 268 | 10/450 | 404917 | 28 | 5/50 | |
| 37803 | 85 | 30000 | 38110 | 78 | 30000 | 38280 | 82 | 30000 | 38368 | 83 | 30000 | 413LA | | 268 | 10/450 | 404926 | 28 | 20/200 | |
| 37804 | 85 | 30000 | 38111 | 78 | 30000 | 38281 | 82 | 30000 | 38369 | 83 | 30000 | 413S | | 268 | 10/450 | 404937 | 28 | 10 | |
| 37805 | 85 | 30000 | 38112 | 78 | 30000 | 38282 | 82 | 30000 | 38370 | 83 | 30000 | 429/2 | | 265 | 4/56 | 404938 | 28 | 50 | |
| 37806 | 85 | 30000 | 38113 | 78 | 30000 | 38283 | 82 | 30000 | 38371 | 83 | 30000 | 429R | | 218 | 10/140 | 404939 | 28 | 10 | |
| 37807 | 85 | 30000 | 38114 | 78 | 30000 | 38284 | 82 | 30000 | 38372 | 83 | 30000 | 429R | 265 | 10/140 | 404940 | 28 | 3/30 | | |
| 37808 | 85 | 30000 | 38115 | 78 | 30000 | 38285 | 82 | 30000 | 38373 | 83 | 30000 | 435 | 218 | 60 | 404941 | 28 | 10 | | |
| 37809 | 85 | 30000 | 38116 | 78 | 30000 | 38286 | 82 | 30000 | 38374 | 83 | 30000 | 435 | 265 | 60 | 404942 | 28 | 40 | | |
| 37810 | 85 | 30000 | 38117 | 78 | 30000 | 38290 | 83 | 30000 | 38375 | 83 | 30000 | 435/2 | 265 | 60 | 404943 | 28 | 10 | | |
| 37826 | 85 | 24000 | 38118 | 78 | 30000 | 38291 | 83 | 30000 | 38376 | 83 | 30000 | 450SMWE | 207 | 20/200 | 404944 | 28 | 30 | | |
| 37827 | 85 | 24000 | 38119 | 78 | 30000 | 38292 | 83 | 30000 | 38377 | 83 | 30000 | 475/2 | 220 | 3 | 404945 | 28 | 10 | | |
| 37828 | 85 | 24000 | 38120 | 78 | 30000 | 38293 | 83 | 30000 | 38378 | 83 | 30000 | 475/2M | 207 | 10 | 404988 | 28 | 20/200 | | |
| 37829 | 85 | 24000 | 38121 | 78 | 30000 | 38294 | 83 | 30000 | 38379 | 83 | 30000 | 488TRI3W | 322 | 20 | 404989 | 28 | 40/2000 | | |
| 37830 | 85 | 24000 | 38122 | 78 | 30000 | 38295 | 83 | 30000 | 38380 | 83 | 30000 | 488TRI3W | 366 | 20 | 404990 | 28 | 20/840 | | |
| 37831 | 85 | 24000 | 38123 | 78 | 30000 | 38296 | 83 | 30000 | 38381 | 83 | 30000 | 4000 | 406412 | 24 | 10/100 | | | | |
| 37832 | 85 | 24000 | 38124 | 78 | 30000 | 38300 | 79 | 30000 | 38382 | 83 | 30000 | | 406423 | 24 | 10/100 | | | | |
| 37835 | 85 | 24000 | 38125 | 78 | 30000 | 38301 | 79 | 30000 | 38383 | 83 | 30000 | | 406432 | 24 | 10/100 | | | | |
| 37836 | 85 | 24000 | 38126 | 78 | 30000 | 38302 | 79 | 30000 | 38384 | 83 | 30000 | | 04770 | 32 | 12/120 | 406441 | 24 | 5/50 | |
| 37837 | 85 | 24000 | 38127 | 78 | 30000 | 38303 | 79 | 30000 | 38385 | 83 | 30000 | | 40000 | 406449 | 24 | 5/50 | | | |
| 37838 | 85 | 24000 | 38128 | 78 | 30000 | 38304 | 79 | 30000 | 38386 | 84 | 100/1000 | | | 406450 | 24 | 5/50 | | | |
| 37839 | 86 | 24000 | 38129 | 78 | 30000 | 38305 | 80 | 30000 | 38392 | 84 | 10/500 | | | 406461 | 24 | 36 | | | |
| 37840 | 86 | 24000 | 38130 | 78 | 30000 | 38306 | 80 | 30000 | 38395 | 84 | 10/500 | | | 406469 | 24 | 36 | | | |
| 37841 | 86 | 24000 | 38131 | 79 | 30000 | 38307 | 80 | 30000 | 38396 | 84 | 10/500 | | | 406470 | 24 | 36 | | | |
| 37842 | 86 | 24000 | 38132 | 79 | 30000 | 38308 | 80 | 30000 | 38397 | 84 | 10/500 | | | 48804 | 367 | 1 | 410999 | 27 | 24 |
| 37843 | 86 | 24000 | 38133 | 79 | 30000 | 38309 | 80 | 30000 | 38490 | 84 | 2400 | | | 48806 | 366 | 10 | 411000 | 27 | 24 |
| 37844 | 86 | 24000 | 38134 | 79 | 30000 | 38310 | 80 | 30000 | 38491 | 84 | 1200 | | | 48807 | 366 | 10 | 411002 | 27 | 24 |
| 37845 | 86 | 24000 | 38135 | 79 | 30000 | 38311 | 80 | 30000 | 38492 | 84 | 500 | | | 48817 | 366 | 1 | 411002 | 27 | 24 |
| 37846 | 86 | 24000 | 38140 | 79 | 30000 | 38312 | 80 | 30000 | | | | | | 48875 | 367 | 4/112 | 411003 | 27 | 24 |
| 37847 | 86 | 24000 | 38141 | 79 | 30000 | 38313 | 80 | 30000 | | | | | | 48916 | 366 | 1 | 411004 | 27 | 24 |
| 37848 | 86 | 24000 | 38142 | 79 | 30000 | 38314 | 80 | 30000 | | | | | | 48932 | 366 | 1 | 411005 | 27 | 24 |
| 37849 | 86 | 24000 | 38143 | 79 | 30000 | 38315 | 80 | 30000 | | | | | | 48933 | 366 | 1 | 411005 | 27 | 24 |
| 37850 | 86 | 24000 | 38144 | 79 | 30000 | 38316 | 80 | 30000 | | | | | | 048941 | 366 | 10 | 411006 | 27 | 24 |
| 37851 | 86 | 24000 | 38145 | 79 | 30000 | 38317 | 80 | 30000 | | | | | | 048942 | 366 | 10 | 411007 | 27 | 24 |
| 37910 | 86 | 5500 | 38146 | 79 | 30000 | 38318 | 80 | 30000 | 344642 | 283 | 1 | | | 48971 | 367 | 4/112 | 411048 | 27 | 24 |
| 37911 | 86 | 5500 | 38201 | 84 | 8 | 38319 | 80 | 30000 | 344643 | 283 | 1 | | | 49754 | 32 | 30 | 411050 | 27 | 24 |
| 37920 | 86 | 11000 | 38202 | 84 | 8 | 38320 | 80 | 30000 | 363911 | 283 | 1 | | | 49983 | 32 | 30 | 411051 | 27 | 24 |
| 37921 | 86 | 11000 | 38203 | 84 | 8 | 38321 | 80 | 30000 | 369083 | 283 | 6 | | | | | | 411052 | 27 | 24 |
| 37922 | 86 | 5500 | 38204 | 84 | 8 | 38322 | 80 | 30000 | 369088 | 283 | 8 | | | | | | 411053 | 27 | 24 |
| 37930 | 86 | 10000 | 38210 | 79 | 60000 | 38323 | 80 | 30000 | 369200 | 283 | 6 | | | | | 411054 | 27 | 24 | |
| 37931 | 86 | 10000 | 38211 | 79 | 60000 | 38324 | 80 | 30000 | 369205 | 283 | 8 | | | | | 411121 | 26 | 1 | |
| | | | | | | | | | 369210 | 283 | 6 | 403430 | | 23 | 10/100 | 411122 | 26 | | |

| Cat. No | Page No | Box/ Carton | Cat. No | Page No | Box/ Carton | Cat. No | Page No | Box/ Carton | Cat. No | Page No | Box/ Carton | Cat. No | Page No | Box/ Carton | Cat. No | Page No | Box/ Carton |
|---------|---------|-------------|--------------|---------|-------------|---------------|---------|-------------|---------|---------|-------------|---------|---------|-------------|---------------|---------|-------------|
| 411125 | 26 | 1 | 412641 | 32 | 30 | 59265 | 69 | 1 | 572053 | 216 | 10/100 | 572830 | 116 | 10/100 | 60 | | |
| 411126 | 26 | 1 | 412654 | 32 | 30 | 59266 | 69 | 1 | 572055 | 117 | 10/100 | 572831 | 116 | 10/100 | | | |
| 411127 | 26 | 1 | 412657 | 32 | 30 | 59267 | 69 | 1 | 572055 | 216 | 10/100 | 572835 | 115 | 10/100 | | | |
| 411128 | 26 | 1 | 412780 | 32 | 100 | 59326 | 72 | 10 | 572056 | 114 | 10/100 | 572841 | 114 | 10/100 | 65WE | 219 | 10 |
| 411129 | 26 | 1 | 412790 | 32 | 100 | 59327 | 72 | 10 | 572163 | 115 | 10/100 | 572842 | 114 | 10/100 | 600 | | |
| 411131 | 26 | 1 | 412794 | 32 | 100 | 59336 | 73 | 1 | 572171 | 115 | 10/100 | 572843 | 114 | 10/100 | | | |
| 411132 | 26 | 1 | 412795 | 32 | 30 | 59337 | 73 | 1 | 572204 | 117 | 10/100 | 572849 | 115 | 10/100 | | | |
| 411133 | 26 | 1 | 412812 | 32 | 30 | 59346 | 70 | 5 | 572204 | 217 | 10/100 | 573204 | 284 | 1 | 600NWE | 219 | 10/160 |
| 411134 | 26 | 1 | 412813 | 32 | 30 | 59347 | 70 | 5 | 572207 | 117 | 10/100 | 573704 | 284 | 1 | 600WE | 219 | 10/160 |
| 411185 | 27 | 12 | 412872 | 32 | 10/100 | 59376 | 70 | 6 | 572207 | 217 | 10/100 | 573982 | 284 | 1 | 600XWE | 219 | 10/160 |
| 411186 | 27 | 12 | 412900 | 31 | 10/100 | 59386 | 72 | 5 | 572221 | 117 | 20 | 574061 | 117 | 20 | 601WE | 219 | 10/160 |
| 411187 | 27 | 12 | 412902 | 31 | 10/100 | 59387 | 72 | 5 | 572221 | 216 | 20 | 574061 | 216 | 20 | 601XWE | 219 | 10/160 |
| 411188 | 27 | 12 | 412903 | 31 | 5/50 | 59427 | 72 | 10 | 572222 | 117 | 10/100 | 574062 | 216 | 20 | 616 | 365 | 18 |
| 411189 | 27 | 12 | 50000 | | | 59428 | 72 | 10 | 572222 | 217 | 10/100 | 574082 | 117 | 20 | 630/3 | 322 | 40 |
| 411190 | 27 | 12 | | | | 59437 | 73 | 1 | 572223 | 117 | 10/100 | 574082 | 216 | 20 | 630/3A | 322 | 5/40 |
| 411191 | 27 | 12 | | | | 59438 | 73 | 1 | 572223 | 216 | 10/100 | 575010 | 118 | 10/120 | 630/5 | 322 | 60 |
| 411192 | 27 | 12 | 51106 | 70 | 10 | 59447 | 70 | 5 | 572224 | 117 | 10/100 | 575011 | 118 | 5/50 | 630/9-2W | 322 | 20 |
| 411233 | 27 | 12 | 51110 | 70 | 10 | 59448 | 70 | 5 | 572225 | 117 | 10/100 | 575012 | 118 | 5/50 | 630/9-3W | 322 | 20 |
| 411234 | 27 | 12 | 51111 | 70 | 10 | 59477 | 70 | 6 | 572226 | 117 | 20 | 575230 | 118 | 10/120 | 630R01WE | 322 | 1 |
| 411235 | 27 | 12 | 51126 | 72 | 5/50 | 59478 | 70 | 6 | 572226 | 216 | 20 | 575231 | 118 | 10/120 | 630R02WE | 322 | 1 |
| 411236 | 27 | 12 | 51130 | 72 | 12 | 59487 | 72 | 5 | 572239 | 114 | 10/100 | 575232 | 118 | 10/120 | 630S01BL | 322 | 1 |
| 411237 | 27 | 12 | 51131 | 72 | 12 | 59488 | 72 | 5 | 572281 | 116 | 10/100 | 575250 | 118 | 10/120 | 630S01WE | 322 | 1 |
| 411509 | 25 | 24 | 51146 | 72 | 30 | 59651 | 68 | 1 | 572300 | 115 | 10/100 | 575251 | 118 | 10/120 | 630S02WE | 322 | 1 |
| 411510 | 25 | 24 | 51150 | 72 | 12 | 59652 | 68 | 1 | 572302 | 115 | 10/100 | 575252 | 118 | 10/120 | 630SM01BL | 322 | 1 |
| 411511 | 25 | 24 | 51151 | 72 | 12 | 59653 | 68 | 1 | 572303 | 115 | 10/100 | 575253 | 118 | 40 | 630SM01WE | 322 | 1 |
| 411512 | 25 | 24 | 51161 | 70 | 5/20 | 59655 | 68 | 1 | 572306 | 115 | 10/100 | 575254 | 118 | 40 | 650ET1WE | 220 | 3 |
| 411559 | 25 | 24 | 51176 | 72 | 20 | 59657 | 68 | 1 | 572312 | 115 | 10/100 | 575255 | 119 | 40 | 650ETWE | 220 | 3 |
| 411560 | 25 | 24 | 51180 | 72 | 12 | 59658 | 68 | 1 | 572313 | 115 | 10/100 | 575256 | 119 | 40 | 60000 | | |
| 411561 | 25 | 24 | 51181 | 72 | 10 | 59659 | 68 | 1 | 572314 | 115 | 10/100 | 575273 | 118 | 40 | | | |
| 411562 | 25 | 24 | 51190 | 70 | 10 | 59661 | 68 | 1 | 572315 | 115 | 10/100 | 575274 | 118 | 40 | | | |
| 411707 | 25 | 12 | 51191 | 70 | 10 | 59662 | 68 | 1 | 572330 | 116 | 10/100 | 575275 | 119 | 40 | 067303 | 284 | 1 |
| 411708 | 25 | 12 | 52042 | 71 | 5/50 | 59663 | 68 | 1 | 572331 | 116 | 10/100 | 575276 | 119 | 40 | 067322 | 284 | 1 |
| 411709 | 25 | 12 | 52082 | 73 | 5/50 | 59665 | 68 | 1 | 572335 | 115 | 10/100 | 575410 | 119 | 10/120 | 69795 | 231 | 10 |
| 411710 | 25 | 12 | 52203 | 73 | 10 | 59667 | 68 | 1 | 572341 | 114 | 10/100 | 575411 | 119 | 10/120 | 600000 | | |
| 411764 | 25 | 12 | 52229 | 73 | 5/50 | 59668 | 68 | 1 | 572342 | 114 | 10/100 | 575412 | 119 | 10/120 | | | |
| 411765 | 25 | 12 | 52243 | 71 | 5/50 | 59669 | 68 | 1 | 572343 | 114 | 10/100 | 575430 | 112 | 5/50 | | | |
| 411766 | 25 | 12 | 52244 | 71 | 5/50 | 59670 | 68 | 1 | 572349 | 115 | 10/100 | 575431 | 112 | 5/50 | 601206 | 60 | 10 |
| 411767 | 25 | 12 | 52283 | 73 | 5/50 | 59681 | 68 | 1 | 572363 | 117 | 10/100 | 575432 | 112 | 5/50 | 601207 | 60 | 8 |
| 412220 | 30 | 24 | 52284 | 73 | 20 | 59695 | 69 | 1 | 572363 | 217 | 10/100 | 575433 | 112 | 40 | 601208 | 60 | 4 |
| 412224 | 30 | 20 | 52702 | 73 | 6 | 500000 | | | 572452 | 117 | 10/100 | 575434 | 112 | 40 | 601209 | 60 | 1 |
| 412225 | 30 | 15 | 52742 | 71 | 20 | | | | 572452 | 217 | 10/100 | 575435 | 112 | 40 | 601209 | 60 | 1 |
| 412230 | 30 | 24 | 52762 | 71 | 10 | | | | 572453 | 117 | 10/100 | 575436 | 112 | 40 | 601974 | 58 | 6 |
| 412232 | 30 | 20 | 52782 | 73 | 10 | 571907 | 115 | 10/100 | 572453 | 217 | 10/100 | 576430 | 119 | 40 | 601976 | 58 | 6 |
| 412233 | 30 | 15 | 52919 | 73 | 12 | 571910 | 119 | 10/60 | 572500 | 113 | 10/100 | 576431 | 118 | 40 | 601978 | 58 | 6 |
| 412270 | 30 | 24 | 52920 | 73 | 12 | 571917 | 113 | 10/100 | 572501 | 113 | 10/100 | 576432 | 118 | 40 | 601978 | 58 | 6 |
| 412272 | 30 | 20 | 52920 | 73 | 12 | 571917 | 113 | 10/100 | 572501 | 113 | 10/100 | 576432 | 118 | 40 | 601981 | 58 | 1 |
| 412274 | 30 | 20 | 52936 | 69 | 10 | 571919 | 113 | 10/100 | 572502 | 113 | 10/100 | 576433 | 119 | 40 | 601982 | 58 | 1 |
| 412275 | 30 | 15 | 52940 | 73 | 10 | 571920 | 119 | 10/60 | 572503 | 113 | 10/100 | 576434 | 119 | 40 | 601983 | 58 | 1 |
| 412297 | 30 | 24 | 52943 | 71 | 5/15 | 571927 | 113 | 10/100 | 572510 | 113 | 10/100 | 576435 | 118 | 40 | 601983 | 58 | 1 |
| 412301 | 30 | 24 | 52944 | 71 | 15/20 | 571929 | 113 | 10/100 | 572511 | 113 | 5/100 | 576436 | 118 | 40 | 602780 | 26 | 1 |
| 412303 | 30 | 24 | 52946 | 69 | 10 | 571957 | 115 | 10/100 | 572515 | 113 | 10/100 | 576436 | 118 | 40 | 602782 | 26 | 1 |
| 412398 | 30 | 24 | 52949 | 73 | 10 | 571957 | 115 | 10/100 | 572515 | 113 | 10/100 | 576437 | 119 | 40 | 602783 | 26 | 1 |
| 412516 | 31 | 24 | 52983 | 73 | 10 | 571967 | 113 | 10/100 | 572516 | 113 | 10/100 | 576438 | 118 | 40 | 602784 | 26 | 1 |
| 412521 | 31 | 4/48 | 52984 | 73 | 12 | 571969 | 113 | 10/100 | 572530 | 114 | 10/100 | 576439 | 119 | 40 | 602785 | 26 | 1 |
| 412523 | 31 | 24 | 52986 | 69 | 10 | 571977 | 113 | 10/100 | 572531 | 114 | 10/100 | 576450 | 119 | 40 | 602786 | 26 | 1 |
| 412524 | 31 | 42 | 53006 | 70 | 10 | 571979 | 113 | 10/100 | 572532 | 114 | 10/100 | 576451 | 118 | 40 | 602786 | 26 | 1 |
| 412527 | 31 | 24 | 53010 | 70 | 10 | 572000 | 113 | 10/100 | 572533 | 114 | 10/100 | 576452 | 118 | 40 | 603770 | 32 | 30 |
| 412533 | 31 | 24 | 53011 | 70 | 10 | 572001 | 113 | 10/100 | 572542 | 113 | 5/100 | 576453 | 119 | 40 | 603771 | 32 | 30 |
| 412535 | 31 | 24 | 53046 | 72 | 12 | 572002 | 113 | 10/100 | 572544 | 113 | 10/100 | 576454 | 119 | 40 | 606410 | 26 | 15 |
| 412536 | 31 | 1 | 53050 | 72 | 12 | 572003 | 113 | 10/100 | 572547 | 113 | 10/100 | 576455 | 118 | 40 | 606412 | 26 | 15 |
| 412544 | 31 | 24 | 53051 | 73 | 12 | 572010 | 113 | 10/100 | 572548 | 113 | 10/100 | 576456 | 118 | 40 | 606413 | 26 | 15 |
| 412545 | 31 | 24 | 53056 | 70 | 10 | 572011 | 113 | 10/100 | 572556 | 114 | 10/100 | 576457 | 119 | 40 | 606414 | 26 | 15 |
| 412547 | 31 | 24 | 53060 | 70 | 10 | 572015 | 113 | 10/100 | 572663 | 115 | 10/100 | 576458 | 118 | 40 | 606414 | 26 | 15 |
| 412548 | 31 | 24 | 53061 | 70 | 10 | 572016 | 113 | 10/100 | 572671 | 115 | 10/100 | 576459 | 119 | 40 | 606415 | 26 | 15 |
| 412549 | 31 | 20 | 53076 | 72 | 10 | 572030 | 114 | 10/100 | 572724 | 117 | 10/100 | 576470 | 112 | 40 | 636095 | 76 | 32 |
| 412550 | 31 | 20 | 53080 | 72 | 10 | 572031 | 114 | 10/100 | 572726 | 117 | 20 | 576471 | 112 | 40 | 636096 | 76 | 40 |
| 412551 | 31 | 24 | 53081 | 72 | 10 | 572032 | 114 | 10/100 | 572726 | 216 | 20 | 576472 | 112 | 40 | 636100 | 76 | 60 |
| 412553 | 31 | 24 | 53086 | 70 | 10 | 572033 | 114 | 10/100 | 572739 | 114 | 10/100 | 576473 | 112 | 40 | 636101 | 76 | 56 |
| 412555 | 31 | 24 | 53086 | 70 | 10 | 572042 | 113 | 10/100 | 572780 | 115 | 10/100 | 576474 | 112 | 40 | 636102 | 76 | 56 |
| 412557 | 31 | 24 | 53090 | 70 | 10 | 572044 | 113 | 10/100 | 572802 | 115 | 10/100 | 576475 | 112 | 40 | 636103 | 76 | 40 |
| 412557 | 31 | 24 | 53091 | 70 | 10 | 572047 | 113 | 10/100 | 572803 | 115 | 10/100 | 576476 | 112 | 40 | 636105 | 76 | 56 |
| 412557 | 31 | 24 | 59260 | 69 | 1 | 572048 | 113 | 10/100 | 572806 | 115 | 10/100 | 576477 | 112 | 40 | 636106 | 76 | 48 |
| 412558 | 31 | 24 | 59261 | 69 | 1 | 572051 | 117 | 10/100 | 572812 | 115 | 10/100 | 576478 | 112 | 5/50 | 636107 | 76 | 48 |
| 412561 | 31 | 24 | 59262 | 69 | 1 | 572051 | 216 | 10/100 | 572813 | 115 | 10/100 | 576479 | 112 | 40 | 636108 | 76 | 20 |
| 412630 | 32 | 30 | 59263 | 69 | 1 | 572052 | 216 | 10/100 | 572814 | 115 | 10/100 | 576479 | 112 | 40 | 636109 | 76 | 24 |
| 412631 | 32 | 30 | 59264 | 69 | 1 | 572053 | 117 | 10/100 | 572815 | 115 | 10/100 | 576479 | 112 | 40 | 636111 | 76 | 32 |
| | | | | | | | | | | | | | | | 636112 | 76 | 32 |

| Cat. No | Page No | Box/ Carton | Cat. No | Page No | Box/ Carton | Cat. No | Page No | Box/ Carton | Cat. No | Page No | Box/ Carton | Cat. No | Page No | Box/ Carton |
|----------|---------|-------------|----------|---------|-------------|----------|---------|-------------|----------|---------|-------------|----------|---------|-------------|
| 636113 | 76 | 32 | 682298 | 328 | 1 | 684494 | 334 | 1 | 684779 | 332 | 1 | 684996 | 339 | 1 |
| 636114 | 76 | 24 | 682299 | 328 | 1 | 684495 | 334 | 1 | 684779/D | 333 | 1 | 684996 | 359 | 1 |
| 636115 | 76 | 24 | 682369 | 339 | 1 | 684496 | 335 | 1 | 684780 | 332 | 1 | 685000 | 342 | 1 |
| 636116 | 76 | 24 | 682370 | 328 | 1 | 684497 | 335 | 1 | 684781 | 332 | 1 | 685000 | 363 | 1 |
| 636117 | 76 | 24 | 682371 | 328 | 1 | 684498 | 335 | 1 | 684782 | 332 | 1 | 685010 | 363 | 1 |
| 636118 | 76 | 20 | 682372 | 328 | 1 | 684499 | 335 | 1 | 684783 | 332 | 1 | 685011 | 363 | 1 |
| 636119 | 76 | 24 | 682373 | 328 | 1 | 684500 | 335 | 1 | 684784 | 332 | 1 | 685012 | 363 | 1 |
| 636120 | 76 | 24 | 682374 | 328 | 1 | 684501 | 335 | 1 | 684785 | 332 | 1 | 685013 | 363 | 1 |
| 636121 | 76 | 16 | 682375 | 328 | 1 | 684502 | 335 | 1 | 684786 | 332 | 1 | 685014 | 363 | 1 |
| 636122 | 76 | 16 | 682376 | 328 | 1 | 684503 | 335 | 1 | 684787 | 332 | 1 | 685015 | 363 | 1 |
| 636123 | 76 | 12 | 682377 | 328 | 1 | 684504 | 335 | 1 | 684788 | 332 | 1 | 685016 | 342 | 1 |
| 636124 | 76 | 16 | 682400 | 358 | 1 | 684505 | 335 | 1 | 684789 | 332 | 1 | 685016 | 363 | 1 |
| 636125 | 76 | 16 | 682400D | 358 | 1 | 684506 | 335 | 1 | 684850 | 338 | 10 | 685018 | 342 | 1 |
| 636177 | 77 | 250 | 682401 | 358 | 1 | 684507 | 335 | 1 | 684850/D | 338 | 10 | 685018 | 363 | 1 |
| 636178 | 77 | 250 | 682401D | 358 | 1 | 684508 | 335 | 1 | 684852 | 338 | 10 | 685019 | 342 | 1 |
| 636206 | 77 | 48 | 682402 | 358 | 1 | 684509 | 335 | 1 | 684852/D | 338 | 10 | 685019 | 363 | 1 |
| 636207 | 77 | 48 | 682402D | 358 | 1 | 684511 | 335 | 1 | 684853 | 338 | 1 | 685020 | 342 | 1 |
| 636212 | 77 | 32 | 682403 | 358 | 1 | 684512 | 335 | 1 | 684853/D | 338 | 1 | 685020 | 363 | 1 |
| 643085 | 322 | 6/24 | 682403D | 358 | 1 | 684513 | 335 | 1 | 684854 | 338 | 1 | 685021 | 342 | 1 |
| 643086 | 322 | 15 | 682420 | 358 | 1 | 684514 | 335 | 1 | 684854/D | 338 | 1 | 685021 | 363 | 1 |
| 649914 | 32 | 10 | 682421 | 358 | 1 | 684515 | 335 | 1 | 684855 | 338 | 10 | 685023 | 342 | 1 |
| 649917 | 32 | 10 | 682422 | 358 | 1 | 684650 | 336 | 1 | 684860 | 338 | 10 | 685023 | 364 | 1 |
| 664050 | 344 | 1 | 682423 | 358 | 1 | 684650/D | 336 | 1 | 684862 | 338 | 10 | 685024 | 342 | 1 |
| 664051 | 344 | 1 | 682424 | 358 | 1 | 684651 | 336 | 1 | 684863 | 338 | 1 | 685024 | 364 | 1 |
| 664053 | 344 | 1 | 682425 | 358 | 1 | 684651/D | 336 | 1 | 684864 | 338 | 1 | 685025 | 342 | 1 |
| 664054 | 344 | 1 | 682426 | 358 | 1 | 684652 | 336 | 1 | 684874 | 335 | 1 | 685025 | 364 | 1 |
| 664055 | 344 | 1 | 682427 | 358 | 1 | 684652/D | 336 | 1 | 684874 | 338 | 1 | 685026 | 342 | 1 |
| 664160 | 365 | 1 | 682450 | 358 | 1 | 684659 | 336 | 1 | 684875 | 338 | 1 | 685026 | 364 | 1 |
| 664161 | 365 | 1 | 682450D | 358 | 1 | 684660 | 336 | 1 | 684875/D | 338 | 1 | 685027 | 342 | 1 |
| 664162 | 365 | 1 | 684400 | 331 | 1 | 684661 | 336 | 1 | 684878 | 338 | 1 | 685027 | 364 | 1 |
| 664164 | 343 | 1 | 684401 | 331 | 1 | 684662 | 336 | 1 | 684879 | 338 | 1 | 685030 | 337 | 1 |
| 664164 | 365 | 1 | 684402 | 331 | 1 | 684669 | 336 | 1 | 684880 | 338 | 1 | 685031 | 337 | 1 |
| 664164/D | 343 | 1 | 684408 | 331 | 1 | 684670 | 336 | 1 | 684892 | 362 | 1 | 685032 | 337 | 1 |
| 664164/D | 365 | 1 | 684409 | 331 | 1 | 684670/D | 336 | 1 | 684930 | 362 | 1 | 685033 | 337 | 1 |
| 664165 | 343 | 1 | 684420B | 331 | 1 | 684671 | 336 | 1 | 684931 | 362 | 1 | 685034 | 337 | 1 |
| 664165 | 365 | 1 | 684422B | 331 | 1 | 684671/D | 336 | 1 | 684932 | 362 | 1 | 685035 | 337 | 1 |
| 664165/D | 343 | 1 | 684424 | 360 | 1 | 684672 | 336 | 1 | 684933 | 362 | 1 | 685036 | 337 | 1 |
| 664165/D | 365 | 1 | 684431 | 329 | 1 | 684672/D | 336 | 1 | 684934 | 362 | 1 | 685037 | 337 | 1 |
| 664168 | 343 | 1 | 684432 | 329 | 1 | 684680 | 336 | 1 | 684937 | 342 | 1 | 685040 | 361 | 1 |
| 664168 | 365 | 1 | 684433 | 329 | 1 | 684681 | 336 | 1 | 684937 | 363 | 1 | 685041 | 361 | 1 |
| 664169 | 343 | 1 | 684434 | 329 | 1 | 684682 | 336 | 1 | 684938 | 342 | 1 | 685042 | 361 | 1 |
| 664169 | 365 | 1 | 684435 | 329 | 1 | 684689 | 336 | 1 | 684938 | 363 | 1 | 685043 | 361 | 1 |
| 664172 | 365 | 1 | 684436 | 329 | 1 | 684690 | 336 | 1 | 684939 | 342 | 1 | 685050 | 341 | 1 |
| 664173 | 365 | 1 | 684437 | 329 | 1 | 684691 | 336 | 1 | 684939 | 363 | 1 | 685050 | 361 | 1 |
| 664174 | 365 | 1 | 684438 | 329 | 1 | 684692 | 336 | 1 | 684940 | 342 | 1 | 685050/D | 341 | 1 |
| 682055 | 339 | 1 | 684439 | 329 | 1 | 684700 | 361 | 1 | 684940 | 363 | 1 | 685050/D | 362 | 1 |
| 682056 | 339 | 1 | 684440 | 329 | 1 | 684730 | 330 | 1 | 684941 | 342 | 1 | 685051 | 341 | 1 |
| 682059 | 344 | 1 | 684441 | 329 | 1 | 684730/D | 330 | 1 | 684941 | 363 | 1 | 685051 | 361 | 1 |
| 682083 | 328 | 1 | 684443 | 329 | 1 | 684731 | 330 | 1 | 684942 | 363 | 1 | 685053 | 341 | 1 |
| 682084 | 328 | 1 | 684444 | 329 | 1 | 684731/D | 330 | 1 | 684945 | 342 | 1 | 685053 | 361 | 1 |
| 682085 | 328 | 1 | 684447 | 334 | 6 | 684733 | 330 | 1 | 684945 | 363 | 1 | 685060 | 341 | 1 |
| 682086 | 328 | 1 | 684449 | 334 | 4 | 684733/D | 330 | 1 | 684946 | 342 | 1 | 685060 | 361 | 1 |
| 682142 | 343 | 1 | 684481 | 334 | 1 | 684737 | 330 | 1 | 684946 | 363 | 1 | 685061 | 341 | 1 |
| 682142 | 360 | 1 | 684481/D | 334 | 1 | 684740 | 330 | 1 | 684947 | 342 | 1 | 685061 | 361 | 1 |
| 682206 | 331 | 1 | 684482 | 334 | 1 | 684741 | 330 | 1 | 684947 | 363 | 1 | 685063 | 341 | 1 |
| 682213 | 344 | 1 | 684482/D | 334 | 1 | 684742 | 330 | 1 | 684948 | 342 | 1 | 685063 | 361 | 1 |
| 682215 | 344 | 1 | 684483 | 334 | 1 | 684743 | 330 | 1 | 684948 | 363 | 1 | 685070 | 361 | 1 |
| 682216 | 344 | 1 | 684483/D | 334 | 1 | 684770 | 332 | 1 | 684949 | 342 | 1 | 685071 | 361 | 1 |
| 682217 | 344 | 1 | 684484 | 334 | 1 | 684770/D | 332 | 1 | 684949 | 363 | 1 | 685072 | 361 | 1 |
| 682218 | 344 | 1 | 684484/D | 334 | 1 | 684771 | 332 | 1 | 684954 | 339 | 1 | 685073 | 361 | 1 |
| 682243 | 340 | 1 | 684485 | 334 | 1 | 684771/D | 332 | 1 | 684954 | 359 | 1 | 685080 | 341 | 1 |
| 682243 | 360 | 1 | 684485/D | 334 | 1 | 684772 | 332 | 1 | 684956 | 339 | 1 | 685080 | 361 | 1 |
| 682244 | 343 | 1 | 684486 | 335 | 1 | 684772/D | 332 | 1 | 684956 | 359 | 1 | 685080/D | 341 | 1 |
| 682244 | 360 | 1 | 684486/D | 335 | 1 | 684773 | 332 | 1 | 684964 | 339 | 1 | 685080/D | 362 | 1 |
| 682251 | 344 | 1 | 684487 | 335 | 1 | 684773/D | 332 | 1 | 684964 | 359 | 1 | 685081 | 341 | 1 |
| 682261 | 340 | 1 | 684487/D | 335 | 1 | 684774 | 332 | 1 | 684966 | 339 | 1 | 685081 | 361 | 1 |
| 682261 | 360 | 1 | 684488 | 335 | 1 | 684774/D | 332 | 1 | 684966 | 359 | 1 | 685083 | 341 | 1 |
| 682263 | 340 | 1 | 684488/D | 335 | 1 | 684775 | 332 | 1 | 684971 | 359 | 1 | 685083 | 361 | 1 |
| 682263 | 360 | 1 | 684489 | 335 | 1 | 684775/D | 333 | 1 | 684973 | 359 | 1 | 685090 | 341 | 1 |
| 682265 | 340 | 1 | 684489/D | 335 | 1 | 684776 | 332 | 1 | 684984 | 359 | 1 | 685090 | 361 | 1 |
| 682265 | 360 | 1 | 684490 | 335 | 1 | 684776/D | 333 | 1 | 684986 | 339 | 1 | 685091 | 341 | 1 |
| 682267 | 340 | 1 | 684490/D | 335 | 1 | 684777 | 332 | 1 | 684986 | 359 | 1 | 685091 | 361 | 1 |
| 682267 | 360 | 1 | 684491 | 334 | 1 | 684777/D | 333 | 1 | 684987 | 359 | 1 | 685093 | 341 | 1 |
| 682268 | 340 | 1 | 684492 | 334 | 1 | 684778 | 332 | 1 | 684990 | 359 | 1 | 685093 | 361 | 1 |
| 682268 | 360 | 1 | 684493 | 334 | 1 | 684778/D | 333 | 1 | 684994 | 359 | 1 | 686200 | 333 | 5 |

700

| | | |
|------------|-----|--------|
| 700CCWE | 221 | 10 |
| 700LMWE | 206 | 20/400 |
| 700LWE | 220 | 3/108 |
| 700TMWE | 206 | 20/400 |
| 700TWE | 220 | 3/108 |
| 707MAM | 204 | 10/120 |
| 707MRED | 204 | 10/120 |
| 707SM24VGR | 204 | 10/120 |
| 711 | 264 | 50/600 |
| 712 | 218 | 50/600 |
| 712 | 264 | 50/600 |
| 716 | 264 | 20/240 |
| 717/1 | 124 | 1 |
| 717/1 | 200 | 1 |
| 717/1 | 264 | 1 |
| 718/8 | 264 | 20/120 |
| 718/13 | 264 | 20/240 |
| 719 | 264 | 10 |
| 719/1 | 264 | 1 |
| 738KL15WE | 223 | 10/200 |
| 738KL20WE | 223 | 10/200 |
| 738KLN15WE | 223 | 10/200 |
| 738KLNWE | 223 | 10/200 |
| 738KLWE | 223 | 10/200 |
| 749 | 265 | 10 |
| 749S | 265 | 1 |
| 751 | 265 | 20/320 |
| 768PMWE | 204 | 10/120 |
| 769MBL | 204 | 10/120 |
| 769MCR | 204 | 10/120 |
| 769MWE | 204 | 10/120 |
| 769P15MBL | 204 | 10/120 |

| Cat. No | Page No | Box/ Carton | Cat. No | Page No | Box/ Carton | Cat. No | Page No | Box/ Carton | Cat. No | Page No | Box/ Carton | Cat. No | Page No | Box/ Carton | Cat. No | Page No | Box/ Carton |
|---------------|---------|-------------|-----------------|---------|-------------|----------------|---------|-------------|-----------------|---------|-------------|-----------------|---------|-------------|-----------------|---------|-------------|
| BH1MS | 292 | 12 | CM777WE | 213 | 4/8 | CMM787RWE | 215 | 10/120 | D105TVAV4BL | 273 | 6/20 | DB24P250M0800HO | 61 | 1 | DQ111 | 269 | 5/50 |
| BH1WE | 292 | 12 | CM787/15NWE | 213 | 6/72 | CMM910/15WE | 215 | 10/120 | D105TVAV6BL | 273 | 4/16 | DB24PM2D0800H | 61 | 1 | DQ201 | 269 | 5/50 |
| BH2DWE | 292 | 1 | CM787/15WE | 213 | 6/72 | CMM910/35WE | 215 | 10/120 | D105TVAV8BL | 273 | 4/12 | DB24PM2D0800O | 63 | 1 | DSLBAT4 | 325 | 20/80 |
| BH2NDMS | 292 | 1 | CM787NWE | 213 | 6/72 | CMM910/770AWE | 216 | 20/240 | D121 | 279 | 5/50 | DB36/36P14002D | 62 | 1 | E | | |
| BH2NDWE | 292 | 1 | CM787WE | 213 | 6/72 | CMM910FFWE | 216 | 10/120 | D121A | 279 | 5/120 | DB36/36P14002DO | 62 | 1 | | | |
| BH4DWE | 292 | 1 | CM910/1FFWE | 214 | 10/120 | CMM910IMWE | 215 | 10/120 | D121E | 279 | 5/120 | DB36/48P14002D | 62 | 1 | | | |
| BH4NDMS | 292 | 1 | CM910/1HLNWE | 211 | 10/120 | CMM910LNWE | 215 | 10/120 | D121UK | 279 | 5/120 | DB36/48P14002DO | 62 | 1 | | | |
| BH4NDWE | 292 | 1 | CM910/1HLWE | 211 | 10/120 | CMM910LRDWE | 215 | 10/120 | D122 | 279 | 10/200 | DB36P250M0800H | 61 | 1 | | | |
| C | | | CM910/1HNWE | 211 | 10/120 | CMM910LWE | 215 | 10/120 | D332WE | 321 | 10/200 | DB36P250M0800HO | 61 | 1 | | | |
| | | | CM910/1HRDLWE | 211 | 10/120 | CMM910NWE | 215 | 10/120 | D359WE | 321 | 10/200 | DB36PM2D1000H | 61 | 1 | | | |
| | | | CM910/1HRDWE | 211 | 10/120 | CMM910PWE | 216 | 10/120 | D641/B | 285 | 8/80 | DB36PM2D1000O | 63 | 1 | | | |
| | | | CM910/1HWE | 211 | 10/120 | CMM910RDWE | 215 | 10/120 | D641/BFL | 285 | 5/50 | DB48P250M1000H | 61 | 1 | | | |
| | | | C20PS25P | 75 | 25 | CM910/1IMHLWE | 211 | 10/120 | CMM910RNWE | 215 | 10/120 | D641/BLR | 285 | 5/20 | | | |
| | | | C20S20P | 75 | 25 | CM910/1IMHRDWE | 211 | 10/120 | CMM910RRDWE | 215 | 10/120 | D641/BLRCC | 285 | 5/20 | DB48PM2D1200H | 61 | 1 |
| | | | C25S25P | 75 | 25 | CM910/1IMHWE | 211 | 10/120 | CMM910RWE | 215 | 10/120 | D641/BPCC | 285 | 10/100 | DB48PM2D1200O | 63 | 1 |
| | | | CD107 | 277 | 5/50 | CM910/1IMWE | 211 | 10/120 | CMM910VNWE | 215 | 10/120 | D641/BPWE | 285 | 10/100 | DB60P250M1000H | 61 | 1 |
| | | | CD1002 | 272 | 10/200 | CM910/1NWE | 211 | 10/120 | CMM910VWE | 215 | 10/120 | D641/PI | 285 | 5/50 | DB60P250M1000HO | 61 | 1 |
| | | | CDCB108 | 29 | 5/60 | CM910/1PWE | 214 | 10/120 | CMM910WE | 215 | 10/120 | D641/PIFL | 285 | 5/50 | DB60PM2D1200H | 61 | 1 |
| CDCB116 | 29 | 5/60 | CM910/1RDWE | 211 | 10/120 | CMM910XWE | 215 | 10/120 | D641/PILR | 285 | 5/50 | DB60PM2D1200O | 63 | 1 | | | |
| CDCB120 | 29 | 5/60 | CM910/1RJ45HWE | 214 | 10/120 | CMM920/3NWE | 215 | 10/120 | D642/01 | 285 | 4/48 | DB72P250M1200H | 61 | 1 | | | |
| CDCB132 | 29 | 5/60 | CM910/1WE | 211 | 10/120 | CMM920/3WE | 215 | 10/120 | D642/05 | 285 | 4/48 | DB72P250M1200HO | 61 | 1 | | | |
| CF9HBS | 293 | 1 | CM910/15HNWE | 211 | 10/120 | CMM920/770AWE | 216 | 20/240 | D642/012R | 285 | 4/48 | DB72PM2D1400H | 61 | 1 | | | |
| CF9HWE | 293 | 1 | CM910/15NWE | 212 | 10/120 | CMM920FFLWE | 216 | 10/120 | D642/L1 | 285 | 8/48 | DB72PM2D1400O | 63 | 1 | | | |
| CF9JBS | 293 | 1 | CM910/15WE | 212 | 10/120 | CMM920FFRWE | 216 | 10/120 | D642/L2 | 285 | 8/48 | DB84P250M1400H | 61 | 1 | | | |
| CF9JWE | 293 | 1 | CM910/20DPRDWE | 212 | 10/120 | CMM920PLWE | 216 | 10/120 | D770CXFP | 208 | 10/400 | DB84P250M1400HO | 61 | 1 | | | |
| CF12H4WE | 293 | 1 | CM910/35HWE | 211 | 10/120 | CMM920PRWE | 216 | 10/120 | D770CXP | 208 | 10/160 | DB84PM2D1400H | 61 | 1 | | | |
| CF12HBS | 293 | 1 | CM910/35RDWE | 212 | 10/120 | CMMR45C6LWE | 216 | 10/120 | D809/1 | 278 | 1 | DB84PM2D1400O | 63 | 1 | | | |
| CF12HWE | 293 | 1 | CM910/35WE | 212 | 10/120 | CMMR45C6RWE | 216 | 10/120 | D809/1DP | 278 | 1 | DB96PM2D1200O | 63 | 1 | | | |
| CF12J4WE | 293 | 1 | CM910FC3WE | 212 | 6/72 | CMMR45C6WE | 216 | 10/120 | D809/1TWIN | 278 | 1 | DBEQUIP-2D400H | 61 | 1 | | | |
| CF12J304 | 293 | 1 | CM910MBLANKWE | 216 | 20/240 | D | | | D809/1TWIND | 278 | 1 | DBEQUIP-2D400HO | 63 | 1 | | | |
| CF12J316L | 293 | 1 | CM910PLWE | 217 | 10/120 | | | | D2L2WE | 279 | 5/100 | D810/2 | 278 | 1 | DF20 | 320 | 10/400 |
| CF12JBS | 293 | 1 | CM910SF | 218 | 10/120 | | | | D2LWE | 279 | 5/120 | D810/2DP | 278 | 1 | DF40 | 320 | 10/400 |
| CF12JWE | 293 | 1 | CM910SHROUD | 218 | 16/192 | | | | D2PA | 279 | 5/100 | D810SLIM | 278 | 1 | DGLS150 | 325 | 6/36 |
| CF13HAW | 293 | 1 | CM910XWE | 211 | 10/120 | | | | D2PA/2WE | 279 | 5/100 | D810SLIMDP | 278 | 1 | DGLWLED | 325 | 8/32 |
| CF14H4WE | 293 | 1 | CM920/1FC3HWE | 211 | 6/72 | | | | D2PAB | 279 | 5/100 | D810SLIMTDP | 278 | 1 | DLI90TRIWE | 300 | 1 |
| CF14H304 | 293 | 1 | CM920/1FC3WE | 212 | 6/72 | | | | D2USB | 278 | 1 | D810SLIMTP | 278 | 1 | DLI110TRIWE | 300 | 1 |
| CF14HBS | 293 | 1 | CM920/2FFWE | 214 | 10/120 | | | | D2USB121 | 278 | 1 | D810SLIMTDPDP | 278 | 1 | DLI150TRIWE | 300 | 1 |
| CF14HWE | 293 | 1 | CM920/2HNWE | 211 | 10/120 | | | | D2USB121 | 278 | 1 | D817/2 | 278 | 1 | DLI903KITLWE | 300 | 1 |
| CF14J4WE | 293 | 1 | CM920/2HRDWE | 211 | 10/120 | | | | D2WE | 279 | 5/120 | D817SLIM | 278 | 1 | DLI904KITLWE | 300 | 1 |
| CF14J304 | 293 | 1 | CM920/2HWE | 211 | 10/120 | D4USB | 278 | 1 | D817SLIMDP | 278 | 1 | DLI7001 | 300 | 48 | | | |
| CF14J316L | 293 | 1 | CM920/2NWE | 211 | 10/120 | D5MBL | 187 | 10/400 | D817SLIMTDP | 278 | 1 | DLI7002 | 300 | 48 | | | |
| CF14JBS | 293 | 1 | CM920/2RDWE | 211 | 10/120 | D5MWE | 187 | 10/400 | D818 | 278 | 1 | DLI7003 | 300 | 48 | | | |
| CF14JWE | 293 | 1 | CM920/2RJ45HWE | 214 | 10/120 | D35P6 | 270 | 10/240 | D818DP | 278 | 1 | DLI7004 | 300 | 48 | | | |
| CFBL9BS | 294 | 20 | CM920/2RJ45PHWE | 214 | 10/120 | D102WE | 279 | 10/240 | DB18ODDP | 278 | 1 | DLI9001 | 300 | 24 | | | |
| CFBL9WE | 294 | 20 | CM920/2WE | 211 | 10/120 | D104PA6 | 273 | 5/20 | D819/2 | 278 | 1 | DLI9002 | 300 | 24 | | | |
| CFBL12BS | 294 | 20 | CM920/3HNWE | 211 | 10/120 | D104PACC | 273 | 3/18 | D819/2DP | 278 | 1 | DLI9003 | 300 | 24 | | | |
| CFBL12WE | 294 | 20 | CM920/3HRDWE | 211 | 10/120 | D104PACC | 273 | 3/18 | D1001/1 | 321 | 5/60 | DLI9004 | 300 | 24 | | | |
| CFBL14BS | 294 | 20 | CM920/3HWE | 211 | 10/120 | D104PAUSBWE | 273 | 4/24 | D1002/1 | 272 | 10/200 | DLI9004 | 300 | 24 | | | |
| CFBL14WE | 294 | 20 | CM920/3HWE | 211 | 10/120 | D104PAWE | 273 | 3/18 | D5100 | 271 | 5/50 | DLI12501 | 300 | 24 | | | |
| CFBL12316L | 294 | 20 | CM920PLBLANKWE | 217 | 10/120 | D104WE | 273 | 3/18 | D5101 | 271 | 5/50 | DLI12502 | 300 | 24 | | | |
| CFBL14304 | 294 | 20 | CM920PLWE | 217 | 10/120 | D105/1 | 273 | 5/45 | D9500WE | 321 | 5/30 | DLI70014P | 300 | 4/36 | | | |
| CFBL14316L | 294 | 20 | CM920SF | 218 | 10/120 | D105/4TR | 273 | 8/32 | DB12/12P0800H | 61 | 1 | DLI90014P | 300 | 4/24 | | | |
| CFCLBS | 294 | 12 | CM920SHROUD | 218 | 8/96 | D105/4TRPA | 273 | 8/32 | DB12/12P08002D | 62 | 1 | DLS9001 | 301 | 24 | | | |
| CFCLWE | 294 | 12 | CM920V1PLWE | 217 | 10/120 | D105/5TRPA | 273 | 5/30 | DB12/12P08002DO | 62 | 1 | DLS9002 | 301 | 24 | | | |
| CFDR750HBS | 294 | 10 | CM920V2PLWE | 217 | 10/120 | D105/5TRPACC | 273 | 5/30 | DB12/24P10002D | 62 | 1 | DLS9003 | 301 | 24 | | | |
| CFDR750HWE | 294 | 10 | CM940/3RDWE | 212 | 4/48 | D105/5TRPACC | 273 | 5/30 | DB12/24P10002DO | 62 | 1 | DLS9004 | 301 | 24 | | | |
| CFDR750JBS | 294 | 10 | CM940/3WE | 212 | 4/48 | D105/12TRPA | 273 | 8/16 | DB12/36P12002D | 62 | 1 | DQ001 | 269 | 10/200 | | | |
| CFDR750JWE | 294 | 10 | CM940/4NWE | 212 | 5/60 | D105/12TRPACC | 273 | 8/16 | DB12/36P12002DO | 62 | 1 | DQ002 | 269 | 10/200 | | | |
| CFDR1500HWE | 294 | 10 | CM940/4RDWE | 212 | 5/60 | D105CR100DS | 277 | 3 | DB12/48P12002D | 62 | 1 | DQ003 | 269 | 10/200 | | | |
| CFDR1500JWE | 294 | 10 | CM940/4RJFFPWE | 214 | 4/48 | D105CR20XDS | 277 | 3 | DB12/48P12002DO | 62 | 1 | DQ004 | 269 | 10/200 | | | |
| CFOLBS | 294 | 12 | CM940/4WE | 212 | 5/60 | D105MS4WE | 273 | 5/20 | DB12/60P14002D | 62 | 1 | DQ005 | 269 | 10/200 | | | |
| CFOLWE | 294 | 12 | CM940/6WE | 212 | 4/48 | D105MS6RWE | 273 | 5/20 | DB12/60P14002DO | 62 | 1 | DQ006 | 269 | 10/200 | | | |
| CFREMOTEH | 294 | 20 | CM940CCLIP | 218 | 8/96 | D105MS6WE | 273 | 5/20 | DB12/72P14002D | 62 | 1 | DQ007 | 269 | 10/200 | | | |
| CFREMOTEJ | 294 | 20 | CM940PLWE | 217 | 10/120 | D105PA6 | 273 | 5/30 | DB12/72P14002DO | 62 | 1 | DQ008 | 269 | 10/200 | | | |
| CL3B | 269 | 8 | CM940RENDERBR | 218 | 12/144 | D105PA6CC | 273 | 4/32 | DB24/24P1000H | 61 | 1 | DQ009 | 269 | 10/200 | | | |
| CL4B | 269 | 8 | CM940SF | 218 | 10/120 | D105PA8 | 273 | 5/25 | DB24/24P12002D | 62 | 1 | DQ010 | 269 | 10/200 | | | |
| CM400LHWE | 211 | 6/72 | CM940SHROUD | 218 | 4/48 | D105PA8CC | 273 | 5/25 | DB24/24P12002DO | 62 | 1 | DQ011 | 269 | 10/200 | | | |
| CM400T/2WE | 212 | 4/48 | CM940STUDBR | 218 | 4/48 | D105PAUSBWE | 273 | 6/36 | DB24/24P12002DO | 62 | 1 | DQ105 | 269 | 5/50 | | | |
| CM400THWE | 211 | 6/72 | CM940WALLBOX | 218 | 4/48 | D105PBOSS5 | 274 | 5/20 | DB24/36P12002D | 62 | 1 | DQ107 | 269 | 5/50 | | | |
| CM400TSW/2NWE | 212 | 4/48 | CMAR2MSF* | 218 | 10/120 | D105PBOSSPA8 | 274 | 4/12 | DB24/36P12002DO | 62 | 1 | DQ108 | 269 | 5/50 | | | |
| CM400TSW/2WE | 212 | 4/48 | CMAR3MPLWE | 217 | 10/120 | D105PBOSSPA4 | 274 | 5/20 | DB24/48P14002D | 62 | 1 | DQ109 | 269 | 5/50 | | | |
| CM400TWE | 212 | 6/72 | CMAR3MSF* | 218 | 10/120 | D105PBOSSPA6 | 274 | 4/12 | DB24/48P14002DO | 62 | 1 | DQ110 | 269 | 5/50 | | | |
| CM435/2 | 218 | 4/48 | CMKNOBWE | 215 | 10/120 | D105POD4 | 274 | 3/18 | DB24/60P14002D | 62 | 1 | | | | | | |
| CM777AWE | 213 | 10/120 | CMM400TWE | 215 | 10/120 | D105POD6 | 274 | 3/18 | DB24/60P14002DO | 62 | 1 | | | | | | |
| CM777NWE | 213 | 4/48 | CMM787LWE | 215 | | | | | | | | | | | | | |

| Cat. No | Page No | Box/ Carton | Cat. No | Page No | Box/ Carton | Cat. No | Page No | Box/ Carton | Cat. No | Page No | Box/ Carton | Cat. No | Page No | Box/ Carton | Cat. No | Page No | Box/ Carton |
|-----------------|---------|-------------|-----------------|---------|-------------|----------------|---------|-------------|-----------------|---------|-------------|----------------|---------|-------------|---------------|---------|-------------|
| EC573WE | 153 | 4/48 | EC787/15NCABU | 176 | 10/120 | ECV777AW | 156 | 10/120 | ED770/3PLDI | 149 | 10/120 | ED777PLIC | 150 | 10/120 | ED920USB2WE | 147 | 3/36 |
| EC770/0GPLCAWE | 178 | 10/120 | EC787/15NCARD | 176 | 10/120 | ECV777CAWE | 177 | 10/120 | ED770/3PLIC | 149 | 10/120 | ED777PLMS | 150 | 10/120 | ED7774BL | 145 | 5/40 |
| EC770/0GPLWE | 157 | 10/120 | EC787/15NCAWE | 176 | 10/120 | ECV777NCABU | 177 | 10/120 | ED770/3PLMS | 149 | 10/120 | ED777PLUG | 150 | 10/120 | ED7774UG | 145 | 5/40 |
| EC770/1CAWE | 175 | 10/120 | EC787/15WE | 155 | 10/120 | ECV777NCARD | 177 | 10/120 | ED770/3PLUG | 149 | 10/120 | ED777PLWE | 150 | 10/120 | ED7774WE | 145 | 5/40 |
| EC770/1GPLCAWE | 178 | 10/120 | EC787/15XWE | 155 | 10/120 | ECV777NCAWE | 177 | 10/120 | ED770/3PLWE | 149 | 10/120 | ED777RUG | 144 | 10/120 | EDA770/1GPLBL | 148 | 10/120 |
| EC770/1GPLWE | 157 | 10/120 | EC787/20WE | 155 | 10/120 | ECV777WE | 156 | 10/120 | ED770/3UG | 141 | 10/120 | ED777RWE | 144 | 10/120 | EDA770/1GPLUG | 148 | 10/120 |
| EC770/1HCWE | 175 | 10/120 | EC787/25WE | 155 | 10/120 | ECV777XCAWE | 177 | 10/120 | ED770/3WE | 141 | 10/120 | ED777UG | 143 | 10/120 | EDA770/1GPLWE | 148 | 10/120 |
| EC770/1HIPWE | 152 | 6/72 | EC787A/15WE | 155 | 10/120 | ECV777XWE | 156 | 10/120 | ED770/4BL | 141 | 10/120 | ED777USB1CBL | 145 | 12 | EDA770/1WE | 142 | 10/120 |
| EC770/1IPWE | 152 | 6/72 | EC787ARWE | 155 | 10/120 | ECV787/2XWE | 156 | 10/120 | ED770/4FLHHCWE | 142 | 10/120 | ED777USB1CUG | 145 | 12 | EDA770/2GPLBL | 148 | 10/120 |
| EC770/1WE | 152 | 10/120 | EC787AWE | 155 | 10/120 | ECV787/15NCABU | 177 | 10/120 | ED770/4FLHHWE | 142 | 10/120 | ED777USB1CWE | 145 | 12 | EDA770/2GPLUG | 148 | 10/120 |
| EC770/2CAWE | 175 | 10/120 | EC787CABE | 176 | 10/120 | ECV787/15NCARD | 177 | 10/120 | ED770/4GPLBL | 147 | 10/120 | ED777USB2ACBL | 145 | 12 | EDA770/2GPLWE | 148 | 10/120 |
| EC770/2GPLCAWE | 178 | 10/120 | EC787CABU | 176 | 10/120 | ECV787/15NCAWE | 177 | 10/120 | ED770/4GPLUG | 147 | 10/120 | ED777USB2ACUG | 145 | 12 | EDA770/2WE | 142 | 10/120 |
| EC770/2GPLWE | 157 | 10/120 | EC787CARD | 176 | 10/120 | ECV787/15WE | 156 | 10/120 | ED770/4GPLWE | 147 | 10/120 | ED777USB2ACWE | 145 | 12 | EDA770/3GPLBL | 148 | 10/120 |
| EC770/2HCAWE | 175 | 10/120 | EC787CAWE | 176 | 10/120 | ECV787A/15WE | 156 | 10/120 | ED770/4HWE | 142 | 10/120 | ED777USB2IBL | 144 | 6/120 | EDA770/3GPLUG | 148 | 10/120 |
| EC770/2HIPWE | 152 | 6/72 | EC787DPWE | 155 | 10/120 | ECV787ARWE | 156 | 10/120 | ED770/4IPWE | 141 | 6/72 | ED777USB2IUG | 144 | 6/120 | EDA770/3GPLWE | 148 | 10/120 |
| EC770/2IPWE | 152 | 6/72 | EC787IDCABE | 176 | 10/120 | ECV787CAWE | 177 | 10/120 | ED770/4PLBL | 149 | 10/120 | ED777USB2IWE | 144 | 6/120 | EDA770/3WE | 142 | 10/120 |
| EC770/2WE | 152 | 10/120 | EC787NCABU | 176 | 10/120 | ECV787NCABU | 177 | 10/120 | ED770/4PLDI | 149 | 10/120 | ED777USB2PSAUG | 144 | 12 | EDA770/4GPLBL | 148 | 10/120 |
| EC770/3CAWE | 175 | 10/120 | EC787NCARD | 176 | 10/120 | ECV787NCARD | 177 | 10/120 | ED770/4PLI | 149 | 10/120 | ED777USB2PSAWE | 144 | 12 | EDA770/4GPLUG | 148 | 10/120 |
| EC770/3GPLCAWE | 178 | 10/120 | EC787NCAWE | 176 | 10/120 | ECV787NCAWE | 177 | 10/120 | ED770/4PLMS | 149 | 10/120 | ED777USB2PSXUG | 144 | 12 | EDA770/4GPLWE | 148 | 10/120 |
| EC770/3GPLWE | 157 | 10/120 | EC787NIDCABU | 176 | 10/120 | ECV787NIDCABU | 177 | 10/120 | ED770/4PLUG | 149 | 10/120 | ED777USB2PSXWE | 144 | 12 | EDCWPLBL | 151 | 10/120 |
| EC770/3HCAWE | 175 | 10/120 | EC787NIDCARD | 176 | 10/120 | ECV787NIDCARD | 177 | 10/120 | ED770/4PLWE | 149 | 10/120 | ED777USBENGBL | 144 | 12 | EDCWPLDI | 151 | 10/120 |
| EC770/3WE | 152 | 10/120 | EC787NIDCAWE | 176 | 10/120 | ECV787NIDCAWE | 177 | 10/120 | ED770/4UG | 141 | 10/120 | ED777USBENGW | 144 | 12 | EDCWPLIC | 151 | 10/120 |
| EC770/4CAWE | 175 | 10/120 | EC787RWE | 155 | 10/120 | ECV787RWE | 156 | 10/120 | ED770/4WE | 141 | 10/120 | ED777USBENGL | 144 | 12 | EDCWPLMS | 151 | 10/120 |
| EC770/4GPLCAWE | 178 | 10/120 | EC787U/32WE | 155 | 10/120 | ECV787WE | 156 | 10/120 | ED770/5BL | 141 | 10/120 | ED777WE | 143 | 10/120 | EDCWPLUG | 151 | 10/120 |
| EC770/4GPLWE | 157 | 10/120 | EC787WE | 155 | 10/120 | ECV787XCAWE | 177 | 10/120 | ED770/5GPLBL | 147 | 10/120 | ED777XBL | 144 | 10/120 | EDCWPLWE | 151 | 10/120 |
| EC770/4HCAWE | 175 | 10/120 | EC787XCAWE | 176 | 10/120 | ECV787XWE | 156 | 10/120 | ED770/5GPLUG | 147 | 10/120 | ED777XPLBL | 150 | 10/120 | EDKFSWE | 142 | 4/48 |
| EC770/4WE | 152 | 10/120 | EC787XWE | 155 | 10/120 | ECVAVALWE | 178 | 1 | ED770/5GPLWE | 147 | 10/120 | ED777XPLDI | 150 | 10/120 | EDV777APLUG | 150 | 10/120 |
| EC770/5GPLCAWE | 178 | 10/120 | EC798WE | 156 | 2/16 | ED3FCWE | 142 | 100 | ED770/5HWE | 142 | 10/120 | ED777XPLC | 150 | 10/120 | EDV777APLWE | 150 | 10/120 |
| EC770/5GPLWE | 157 | 10/120 | EC910GPLWE | 157 | 10/120 | ED20A/4KTBL | 142 | 10/120 | ED770/5PLBL | 149 | 10/120 | ED777XPLMS | 150 | 10/120 | EDV777AUG | 146 | 10/120 |
| EC770/5WE | 152 | 10/120 | EC910J35WE | 152 | 6/72 | ED20A/4KTUG | 142 | 10/120 | ED770/5PLDI | 149 | 10/120 | ED777XPLUG | 150 | 10/120 | EDV777AWE | 146 | 10/120 |
| EC770/6GPLCAWE | 178 | 10/120 | EC914WE | 153 | 6/72 | ED20A/4KTWE | 142 | 10/120 | ED770/5PLIC | 149 | 10/120 | ED777XPLWE | 150 | 10/120 | EDV777BL | 146 | 10/120 |
| EC770/6GPLWE | 157 | 10/120 | EC915WE | 153 | 4/48 | ED770/0GPLBL | 147 | 10/120 | ED770/5PLMS | 149 | 10/120 | ED777XUG | 143 | 10/120 | EDV777PLBL | 150 | 10/120 |
| EC770/6WE | 152 | 10/120 | EC917WE | 153 | 10/120 | ED770/0GPLUG | 147 | 10/120 | ED770/5PLUG | 149 | 10/120 | ED777XWE | 143 | 10/120 | EDV777PLDI | 151 | 10/120 |
| EC770/40DPCTPWE | 152 | 10/120 | EC918WE | 153 | 6/72 | ED770/0GPLWE | 147 | 10/120 | ED770/5PLWE | 149 | 10/120 | ED787/2XUG | 143 | 10/120 | EDV777PLIC | 150 | 10/120 |
| EC770/40DPWE | 152 | 10/120 | EC919WE | 153 | 8/96 | ED770/1BL | 141 | 10/120 | ED770/5UG | 141 | 10/120 | ED787/2XWE | 143 | 10/120 | EDV777PLMS | 150 | 10/120 |
| EC770/40WE | 152 | 10/120 | EC920GPLWE | 157 | 10/120 | ED770/1GPLBL | 147 | 10/120 | ED770/5WE | 141 | 10/120 | ED787/15BL | 143 | 10/120 | EDV777PLUG | 150 | 10/120 |
| EC770XPRESSCAWE | 175 | 10/120 | EC920HDMIWE | 152 | 4/48 | ED770/1GPLUG | 147 | 10/120 | ED770/6BL | 141 | 10/120 | ED787/15UG | 143 | 10/120 | EDV777PLWE | 150 | 10/120 |
| EC777/15DPWE | 155 | 10/120 | EC920LJWE | 152 | 8/96 | ED770/1GPLWE | 147 | 10/120 | ED770/6GPLBL | 147 | 10/120 | ED787/15WE | 143 | 10/120 | EDV777UG | 146 | 10/120 |
| EC777/15WE | 155 | 10/120 | EC920MSVIDWE | 152 | 10/120 | ED770/1HIPWE | 142 | 6/72 | ED770/6GPLUG | 147 | 10/120 | ED787/20UG | 143 | 10/120 | EDV777WE | 146 | 10/120 |
| EC777/15XWE | 155 | 10/120 | EC920USB2WE | 152 | 3/36 | ED770/1HWE | 142 | 10/120 | ED770/6GPLWE | 147 | 10/120 | ED787/20WE | 143 | 10/120 | EDV777XBL | 146 | 10/120 |
| EC777AWE | 155 | 10/120 | EC920VGAW | 152 | 10/120 | ED770/1IPUG | 141 | 6/72 | ED770/6HWE | 142 | 10/120 | ED787/25UG | 143 | 10/120 | EDV777XPLBL | 151 | 10/120 |
| EC777CABE | 177 | 10/120 | EC920WE | 153 | 8/96 | ED770/1IPWE | 141 | 6/72 | ED770/6PLBL | 149 | 10/120 | ED787/25WE | 143 | 10/120 | EDV777XPLDI | 151 | 10/120 |
| EC777CABU | 176 | 10/120 | EC921WE | 153 | 10/120 | ED770/1PLBL | 149 | 10/120 | ED770/6PLDI | 149 | 10/120 | ED787A/15UG | 143 | 10/120 | EDV777XPLC | 151 | 10/120 |
| EC777CARD | 176 | 10/120 | EC923TWE | 153 | 6/72 | ED770/1PLDI | 149 | 10/120 | ED770/6PLIC | 149 | 10/120 | ED787A/15WE | 143 | 10/120 | EDV777XPLMS | 151 | 10/120 |
| EC777CAWE | 176 | 10/120 | EC924WE | 153 | 6/72 | ED770/1PLIC | 149 | 10/120 | ED770/6PLMS | 149 | 10/120 | ED787ARUG | 143 | 10/120 | EDV777XPLUG | 151 | 10/120 |
| EC777DPWE | 155 | 10/120 | EC925WE | 153 | 8/96 | ED770/1PLMS | 149 | 10/120 | ED770/6PLUG | 149 | 10/120 | ED787ARWE | 143 | 10/120 | EDV777XPLWE | 151 | 10/120 |
| EC777EL10CABE | 177 | 2/24 | ECBPASIGN | 178 | 1 | ED770/1PLUG | 149 | 10/120 | ED770/6PLWE | 149 | 10/120 | ED787AUG | 143 | 10/120 | EDV777XUG | 146 | 10/120 |
| EC777EL10CABU | 177 | 2/24 | ECCPASIGN | 178 | 1 | ED770/1PLWE | 149 | 10/120 | ED770/6UG | 141 | 10/120 | ED787AWE | 143 | 10/120 | EDV777XWE | 146 | 10/120 |
| EC777EL10CARD | 177 | 2/24 | ECCW2HPLWE | 158 | 10 | ED770/1UG | 141 | 10/120 | ED770/6WE | 141 | 10/120 | ED787BL | 143 | 10/120 | EDV787/2XUG | 146 | 10/120 |
| EC777EL10CABE | 177 | 2/24 | ECCW2WPLWE | 158 | 10/120 | ED770/1WE | 141 | 10/120 | ED770/40DPCTPBL | 141 | 10/120 | ED787DPUG | 143 | 10/120 | EDV787/2XWE | 146 | 10/120 |
| EC777EL10IDCABE | 177 | 2/24 | ECCW3HPLWE | 158 | 10 | ED770/2BL | 141 | 10/120 | ED770/40DPCTPUG | 141 | 10/120 | ED787DPWE | 143 | 10/120 | EDV787/15UG | 146 | 10/120 |
| EC777EL10IDCABU | 177 | 2/24 | ECCW3WPLWE | 158 | 10/120 | ED770/2GPLBL | 147 | 10/120 | ED770/40DPCTPWE | 141 | 10/120 | ED787PLBL | 150 | 10/120 | EDV787/15WE | 146 | 10/120 |
| EC777EL10IDCARD | 177 | 2/24 | ECCW4HPLWE | 158 | 10 | ED770/2GPLUG | 147 | 10/120 | ED770/40DPUG | 141 | 10/120 | ED787PLDI | 150 | 10/120 | EDV787A/15UG | 146 | 10/120 |
| EC777EL10IDCAWE | 177 | 2/24 | ECCWGPLWE | 157 | 10/120 | ED770/2GPLWE | 147 | 10/120 | ED770/40DPWE | 141 | 10/120 | ED787PLIC | 150 | 10/120 | EDV787A/15WE | 146 | 10/120 |
| EC777EL30CAWE | 177 | 2/24 | ECCWPLCAWE | 179 | 10/120 | ED770/2HIPWE | 142 | 6/72 | ED770/40UG | 141 | 10/120 | ED787PLMS | 150 | 10/120 | EDV787ARUG | 146 | 10/120 |
| EC777IDCABE | 177 | 10/120 | ECOWPLWE | 158 | 10/120 | ED770/2HWE | 142 | 10/120 | ED770/40WE | 141 | 10/120 | ED787PLUG | 150 | 10/120 | EDV787ARWE | 146 | 10/120 |
| EC777NCABU | 176 | 10/120 | ECEES/1GCWE | 178 | 10/120 | ED770/2IPUG | 141 | 6/72 | ED777/15UG | 144 | 10/120 | ED787PLWE | 150 | 10/120 | EDV787BL | 146 | 10/120 |
| EC777NCARD | 176 | 10/120 | ECEES/2GCWE | 178 | 10/120 | ED770/2IPWE | 141 | 6/72 | ED777/15WE | 144 | 10/120 | ED787RUG | 143 | 10/120 | EDV787PLBL | 150 | 10/120 |
| EC777NCAWE | 176 | 10/120 | ECEL10HN2IDCABU | 178 | 2/24 | ED770/2PLBL | 149 | 10/120 | ED777ABL | 144 | 10/120 | ED787RWE | 143 | 10/120 | EDV787PLDI | 150 | 10/120 |
| EC777NIDCABU | 176 | 10/120 | ECEL10HN2IDCARD | 178 | 2/24 | ED770/2PLDI | 149 | 10/120 | ED777AESUG | 144 | 10/120 | ED787U/32BL | 143 | 10/120 | EDV787PLIC | 150 | 10/120 |
| EC777NIDCARD | 176 | 10/120 | ECEL10HN2IDCAWE | 178 | 2/24 | ED770/2PLIC | 149 | 10/120 | ED777AESWE | 144 | 10/120 | ED787U/32UG | 143 | 10/120 | EDV787PLMS | 150 | 10/120 |
| EC777NIDCAWE | 176 | 10/120 | ECEL10N2CABU | 178 | 2/24 | ED770/2PLMS | 149 | 10/120 | ED777APLWE | 150 | 10/120 | ED787U/32WE | 143 | 10/120 | EDV787PLUG | 150 | 10/120 |
| EC777RWE | 155 | 10/120 | ECEL10N2CARD | 178 | 2/24 | ED770/2PLUG | 149 | 10/120 | ED777AUG | 144 | 10/120 | ED787UG | 143 | 10/120 | EDV787PLWE | 150 | 10/120 |
| EC777USB2IWE | 155 | 6 | ECEL10N2CAWE | 178 | 2/24 | ED770/2PLWE | 149 | 10/120 | ED777AWE | 144 | 10/120 | ED787WE | | | | | |

| Cat. No | Page No | Box/ Carton | Cat. No | Page No | Box/ Carton | Cat. No | Page No | Box/ Carton | Cat. No | Page No | Box/ Carton | Cat. No | Page No | Box/ Carton | Cat. No | Page No | Box/ Carton |
|----------------|---------|-------------|-----------------|---------|-------------|------------------|---------|-------------|---------------|---------|-------------|--------------|---------|-------------|---------------|---------|-------------|
| EF150SQSWE | 290 | 4 | EM770BL | 160 | 10/120 | EM770RDWE | 160 | 10/120 | EM820KLIOWE | 166 | 10/120 | EMRJ45C6BU | 168 | 10/120 | GLLED5L | 324 | 20 |
| EF150SQWE | 290 | 4 | EM770BYPASSUG | 162 | 10/120 | EM770RUMPUSUG | 164 | 10/120 | EM820KLIUG | 166 | 10/120 | EMRJ45C6GR | 168 | 10/120 | GLLED5LSS | 324 | 3/36 |
| EF200RDMS | 290 | 4 | EM770BYPASSWE | 162 | 10/120 | EM770RUMPUSWE | 164 | 10/120 | EM820KLIWE | 166 | 10/120 | EMRJ45C6RD | 168 | 10/120 | H | | |
| EF200RDWE | 290 | 4 | EM770CARED | 178 | 10/120 | EM770SENSORUG | 164 | 10/120 | EM820KLOUG | 166 | 10/120 | EMRJ45C6WE | 168 | 10/120 | | | |
| EF200SQWE | 290 | 4 | EM770CAWE | 178 | 10/120 | EM770SENSORWE | 164 | 10/120 | EM820KLOWE | 166 | 10/120 | EMRJ45C6YE | 168 | 10/120 | HC01S | 58 | 10/180 |
| EF250RDMS | 290 | 4 | EM770DAYNIGHTUG | 162 | 10/120 | EM770TVBL | 163 | 10/120 | EM883BL | 160 | 10/120 | EMRSBL | 161 | 10/120 | HC02S | 58 | 6/108 |
| EF250RDWE | 290 | 4 | EM770DAYNIGHTWE | 162 | 10/120 | EM770TVJUG | 163 | 10/120 | EM883UG | 160 | 10/120 | EMRSUG | 161 | 10/120 | HC03S | 58 | 4/80 |
| EF250SQWE | 290 | 4 | EM770DININGUG | 162 | 10/120 | EM770TVWE | 163 | 10/120 | EM883WE | 160 | 10/120 | EMRSWE | 161 | 10/120 | HEE18F | 59 | 4 |
| EFD01RDMS | 290 | 1 | EM770DININGWE | 162 | 10/120 | EM770UG | 160 | 10/120 | EM910HDMIBL | 170 | 10/120 | EMSPBL | 168 | 10/120 | HEE18FS-BP | 60 | 1 |
| EFD01RDWE | 290 | 1 | EM770DOVENBL | 165 | 10/120 | EM770WASTEUBL | 164 | 10/120 | EM910HDMIWE | 170 | 10/120 | EMSPUG | 168 | 10/120 | HEE18S | 59 | 4 |
| EFD01SQWE | 290 | 1 | EM770DPBL | 161 | 10/120 | EM770WASTEWE | 164 | 10/120 | EM910RPWE | 174 | 10/120 | EMSPWE | 168 | 10/120 | HEEPF5 | 58 | 200 |
| EFGR200RDWE | 291 | 1 | EM770DPRDUG | 161 | 10/120 | EM770WASTEWE | 160 | 10/120 | EM910USBBL | 170 | 10/120 | EMUSB1CBL | 171 | 12 | HL12F | 59 | 1 |
| EFGR250RDWE | 291 | 1 | EM770DPRDWE | 161 | 10/120 | EM770WAVE | 160 | 10/120 | EM910USBWE | 170 | 10/120 | EMUSB1CUG | 171 | 12 | HL12FS-BP | 60 | 1 |
| EFIL100SQWE | 291 | 1 | EM770DPUG | 161 | 10/120 | EM770XAIRCONBL | 162 | 10/120 | EM2000ERC | 167 | 1/10 | EMUSB1CWE | 171 | 12 | HL12S | 59 | 5/5 |
| EFIL150SQWE | 291 | 1 | EM770DPWE | 161 | 10/120 | EM770XAUTOMANBL | 162 | 10/120 | EMCCBL | 174 | 10/120 | EMUSB2ACBL | 171 | 12 | HL24F | 59 | 1 |
| EFS150SQSWE | 290 | 4 | EM770DSENSORBL | 164 | 10/120 | EM770XBL | 161 | 10/120 | EMCCUG | 174 | 10/120 | EMUSB2ACUG | 171 | 12 | HL24FS-BP | 60 | 1 |
| EFS150SQWE | 290 | 4 | EM770DUOHTUG | 162 | 10/120 | EM770XDININGBL | 162 | 10/120 | EMCCWE | 174 | 10/120 | EMUSB2ACWE | 171 | 12 | HL24S | 59 | 1 |
| EM3FCBL | 167 | 10/120 | EM770DUOHTWE | 162 | 10/120 | EM770XDOORB | 161 | 10/120 | EMCLIDBL | 173 | 10/120 | EMUSB2ACWE | 171 | 12 | HL24FS-BP | 60 | 1 |
| EM3FCUG | 167 | 10/120 | EM770DUOUG | 160 | 10/120 | EM770XDOORUG | 161 | 10/120 | EMCLIDUG | 173 | 10/120 | EMUSB2PSABL | 170 | 12 | HL24S | 59 | 1 |
| EM3FCWE | 167 | 10/120 | EM770DUOWE | 160 | 10/120 | EM770XDOORWE | 161 | 10/120 | EMCLIDWE | 173 | 10/120 | EMUSB2PSAUG | 170 | 12 | HL36F | 59 | 1 |
| EM20A4KTWE | 166 | 10/120 | EM770DWASHBL | 162 | 10/120 | EM770XFRIDGEBL | 162 | 10/120 | EMELVNUG | 160 | 10/120 | EMUSB2PSAWE | 170 | 12 | HL36FS-BP | 60 | 1 |
| EM250TRUG | 167 | 10/120 | EM770DWASHUG | 162 | 10/120 | EM770XHEATBL | 163 | 10/120 | EMELVNWE | 160 | 10/120 | EMUSB2PSXBL | 170 | 12 | HL36S | 59 | 1 |
| EM250TRWE | 167 | 10/120 | EM770DWASHWE | 162 | 10/120 | EM770XHOODB | 163 | 10/120 | EMELVUG | 160 | 10/120 | EMUSB2PSXUG | 170 | 12 | HL48F | 59 | 1 |
| EM400A2PBL | 167 | 10/120 | EM770EXHUG | 162 | 10/120 | EM770XKITCHENBL | 163 | 10/120 | EMELVWE | 160 | 10/120 | EMUSB2PSXWE | 170 | 12 | HL48FS-BP | 60 | 1 |
| EM400A2PUG | 167 | 10/120 | EM770EXHWE | 162 | 10/120 | EM770XLIVINGBL | 163 | 10/120 | EMFFFOXBL | 168 | 10/120 | EMV787A/15WE | 166 | 10/120 | HL48S | 59 | 1 |
| EM400A2PWE | 167 | 10/120 | EM770FANBL | 162 | 10/120 | EM770XLOUNGEBL | 163 | 10/120 | EMFFFOXUG | 168 | 10/120 | EMV787AWE | 166 | 10/120 | HLC12F | 59 | 1/1 |
| EM400A3PBL | 167 | 10/120 | EM770FANUG | 162 | 10/120 | EM770XMICROWAVBL | 164 | 10/120 | EMFFFOXWE | 168 | 10/120 | EMV787WE | 166 | 10/120 | HLC12MP | 59 | 1/1 |
| EM400A3PUG | 167 | 10/120 | EM770FANWE | 162 | 10/120 | EM770XOFFICEBL | 164 | 10/120 | EMIDUG | 173 | 10/120 | ES3-2 | 123 | 1 | HLC12S | 59 | 1/1 |
| EM400A3PWE | 167 | 10/120 | EM770FIREBL | 164 | 10/120 | EM770XOFFICEBL | 161 | 10/120 | EMIDWE | 173 | 10/120 | ES3-3 | 123 | 1 | HLC18F | 59 | 1/1 |
| EM400TRBL | 167 | 10/120 | EM770FIREUG | 164 | 10/120 | EM770XPRESSBL | 161 | 10/120 | EMKEYSTONEAUG | 169 | 20/240 | ES4-2BL | 123 | 1 | HLC18MP | 59 | 1/1 |
| EM400TRUG | 167 | 10/120 | EM770FIREWE | 164 | 10/120 | EM770XPRESSUG | 161 | 10/120 | EMKEYSTONEAUG | 169 | 20/240 | ES4-2WE | 123 | 1 | HLC18S | 59 | 1/1 |
| EM400TRWE | 167 | 10/120 | EM770FRIDGEUG | 162 | 10/120 | EM770XPRESSWE | 161 | 10/120 | EMKEYSTONEAWE | 169 | 20/240 | ES4-3 | 123 | 1 | HLC24F | 59 | 1/1 |
| EM700TRUG | 167 | 10/120 | EM770FRIDGEWE | 162 | 10/120 | EM770XRESETUG | 161 | 10/120 | EMKEYSTONEAWE | 169 | 20/240 | ES6-2 | 123 | 1 | HLC24S | 59 | 1/1 |
| EM700TRWE | 167 | 10/120 | EM770FRIDGEWE | 162 | 10/120 | EM770XRESETWE | 161 | 10/120 | EMKEYSTONEBWE | 169 | 20/240 | ES6-3WE | 123 | 1 | HLC36F | 59 | 1/1 |
| EM77020ACUG | 164 | 10/120 | EM770GAMESUG | 163 | 10/120 | EM770XUG | 161 | 10/120 | EMKEYSTONEBWE | 169 | 20/240 | ES9-2BL | 123 | 1 | HLC36S | 59 | 1/1 |
| EM77020ACWE | 164 | 10/120 | EM770GAMESWE | 163 | 10/120 | EM770XWE | 161 | 10/120 | EMKEYSTONECUG | 169 | 20/240 | ES9-2WE | 123 | 1 | HMCBL | 28 | 450 |
| EM77020BL | 160 | 10/120 | EM770GARDENBL | 163 | 10/120 | EM770ZONE1UG | 164 | 10/120 | EMKEYSTONECWE | 169 | 20/240 | ES12-2BL | 123 | 1 | HPM0800L2425F | 63 | 1 |
| EM77020DPENGUG | 161 | 10/120 | EM770GARDENUG | 163 | 10/120 | EM770ZONE1WE | 164 | 10/120 | EMKEYSTONECWE | 169 | 20/240 | ES12-2WE | 123 | 1 | HPM0800L3625F | 63 | 1 |
| EM77020DPENGWE | 161 | 10/120 | EM770GARDENWE | 163 | 10/120 | EM770ZONE2UG | 164 | 10/120 | EMKEYSTONECWE | 169 | 20/240 | ES15-2 | 123 | 1 | HPM1000L4825F | 63 | 1 |
| EM77020DPUG | 161 | 10/120 | EM770HEATUG | 163 | 10/120 | EM770ZONE2WE | 164 | 10/120 | EMKEYSTONEEUG | 169 | 20/240 | ES18-2 | 123 | 1 | HPM1000L6025F | 63 | 1 |
| EM77020PUG | 161 | 10/120 | EM770HEATWE | 163 | 10/120 | EM770ZONE3UG | 164 | 10/120 | EMKEYSTONEEWE | 169 | 20/240 | ES21-2 | 123 | 1 | HPM1200L7225F | 63 | 1 |
| EM77020PWE | 161 | 10/120 | EM770HOBUG | 163 | 10/120 | EM770ZONE3UG | 164 | 10/120 | EMKEYSTONEEWE | 169 | 20/240 | ES24-2 | 123 | 1 | HPM1200L8425F | 63 | 1 |
| EM77020HWSUG | 164 | 10/120 | EM770HOBWE | 163 | 10/120 | EM770ZONE4UG | 164 | 10/120 | EMKEYSTONELUG | 169 | 10/240 | ES770/0GPLWE | 159 | 10/120 | I | | |
| EM77020HWSWE | 164 | 10/120 | EM770HOODUG | 163 | 10/120 | EM770ZONE4UG | 164 | 10/120 | EMKEYSTONELWE | 169 | 10/240 | ES770/1GPLWE | 159 | 10/120 | | | |
| EM77020KT | 166 | 10/120 | EM770HOODWE | 163 | 10/120 | EM787A/15WE | 166 | 10/120 | EMKEYSTONELWE | 169 | 10/240 | ES770/2GPLWE | 159 | 10/120 | IZBRA | 310 | 1 |
| EM77020RDUG | 160 | 10/120 | EM770HOODWE | 163 | 10/120 | EM787ARWE | 166 | 10/120 | EMKEYSTONELWE | 169 | 10/240 | ES770/3GPLWE | 159 | 10/120 | IZSPM | 310 | 1 |
| EM77020RDWE | 160 | 10/120 | EM770IMBL | 160 | 10/120 | EM787AUG | 166 | 10/120 | EMKEYSTONELWE | 169 | 10/240 | ES770/4GPLWE | 159 | 10/120 | IZTRAY | 310 | 1 |
| EM77020UG | 160 | 10/120 | EM770IMUG | 160 | 10/120 | EM787AWE | 166 | 10/120 | EMKEYSTONELWE | 169 | 10/240 | ES770/5GPLWE | 159 | 10/120 | J | | |
| EM77020WE | 160 | 10/120 | EM770IMWE | 160 | 10/120 | EM787U/20WE | 166 | 10/120 | EMKEYSTONELWE | 169 | 10/240 | ES770/6GPLWE | 159 | 10/120 | | | |
| EM77025UG | 160 | 10/120 | EM770KITCHENUG | 163 | 10/120 | EM787U/25WE | 166 | 10/120 | EMKEYSTONELWE | 169 | 10/240 | ES777WE | 159 | 10/120 | K | | |
| EM77025WE | 160 | 10/120 | EM770KITCHENWE | 163 | 10/120 | EM787WE | 166 | 10/120 | EMKEYSTONELWE | 169 | 10/240 | ES787WE | 159 | 10/120 | | | |
| EM77032BL | 160 | 10/120 | EM770LEDBL | 172 | 10/120 | EM800BPBLUG | 170 | 10/120 | EMKEYSTONELWE | 169 | 10/240 | ESCWPLWE | 159 | 10/120 | L | | |
| EM77032HOBUG | 164 | 10/120 | EM770LEDUG | 172 | 10/120 | EM800BPBLWE | 170 | 10/120 | EMKEYSTONELWE | 169 | 10/240 | GL20WMLBL | 324 | 20 | | | |
| EM77032HOBWE | 164 | 10/120 | EM770LEDWE | 172 | 10/120 | EM800BPRDUG | 170 | 10/120 | EMKEYSTONELWE | 169 | 10/240 | GL20WMLBL4P | 324 | 4 | L275HLES | 292 | 20 |
| EM77032HOTPUG | 164 | 10/120 | EM770LIGHTBL | 163 | 10/120 | EM800BPRDWE | 170 | 10/120 | EMKEYSTONELWE | 169 | 10/240 | GL20WMSLSS | 324 | 3/12 | L375HLES | 292 | 20 |
| EM77032HOTPWE | 164 | 10/120 | EM770LIGHTUG | 163 | 10/120 | EM800SLAVEBL | 160 | 10/120 | EMKEYSTONELWE | 169 | 10/240 | GL20WSLSS | 324 | 3/12 | LA6001BUGBC | 309 | 1 |
| EM77032OVENUG | 165 | 10/120 | EM770LIGHTWE | 163 | 10/120 | EM800SLAVEUG | 160 | 10/120 | EMKEYSTONELWE | 169 | 10/240 | GL35WPLBL | 324 | 20 | LA6001BUGES | 309 | 1 |
| EM77032OVENWE | 165 | 10/120 | EM770LIVINGUG | 163 | 10/120 | EM800SLAVEWE | 160 | 10/120 | EMKEYSTONELWE | 169 | 10/240 | GL35WPLSS | 324 | 10 | LA6001FILBC | 309 | 1 |
| EM77032RANGEUG | 165 | 10/120 | EM770LIVINGWE | 163 | 10/120 | EM802TDUG | 166 | 10/120 | EMKEYSTONELWE | 169 | 10/240 | GLLEDPLBL | 324 | 40 | LA6001FILES | 309 | 1 |
| EM77032RANGEWE | 165 | 10/120 | EM770LOUNGEBL | 163 | 10/120 | EM802TDWE | 166 | 10/120 | EMKEYSTONELWE | 169 | 10/240 | GLLEDPLSS | 324 | 24 | LA60013KBC | 309 | 10/150 |
| EM77032RDUG | 165 | 10/120 | EM770LOUNGEBL | 163 | 10/120 | EM803LEDUG | 172 | 10/120 | EMKEYSTONELWE | 169 | 10/240 | EMRJ45C5EUBL | 168 | 10/120 | LA60013KES | 309 | 10/150 |
| EM77032RDWE | 165 | 10/120 | EM770LOUNGEBL | 163 | 10/120 | EM803LEDWE | 172 | 10/120 | EMKEYSTONELWE | 169 | 10/240 | EMRJ45C5EUG | 168 | 10/120 | LA60014KBC | 309 | 10/150 |
| EM77032UG | 160 | 10/120 | EM770MICROWAVE | 164 | 10/120 | EM803LEDWE | 172 | 10/120 | EMKEYSTONELWE | 169 | 10/240 | EMRJ45C5EWR | 168 | 10/120 | LA60014KES | 309 | 10/150 |
| EM77032WE | 160 | 10/120 | EM770MICROWAVE | 164 | 10/120 | EM803PIRBL | 167 | 10/120 | EMKEYSTONELWE | 169 | 10/240 | EMRJ45C5EWE | 168 | 10/120 | LA60023KBC | 309 | 10/150 |
| EM770AIRCONUG | 162 | 10/120 | EM770MIRRORBL | 163 | 10/120 | EM803PIRSBL | 167 | 10/120 | EMKEYSTONELWE | 169 | 10/240 | EMRJ45C5EYE | 168 | 10/120 | LA60023KBCD | 309 | 1 |
| EM770AIRCONWE | 162 | 10/120 | EM770MIRRORUG | 163 | 10/120 | EM803PIRSUG | 167 | 10/120 | EMKEYSTONELWE | 169 | 10/240 | EMRJ45C6BL | 168 | 10/120 | | | |
| EM770AUTOMANUG | 162 | 10/120 | EM770MIRRORWE | 163 | 10/120 | EM803PIRUG | 167 | 10/120 | EMKEYSTONELWE | 169 | 10/240 | | | | | | |
| EM770AUTOMANWE | 162 | 10/120 | EM770OFFICEWE | 164 | 10/120 | EM803PIRWE | 167 | 10/120 | EMKEYSTONELWE | 169 | 10/240 | | | </ | | | |

| Cat. No | Page No | Box/ Carton | Cat. No | Page No | Box/ Carton | Cat. No | Page No | Box/ Carton | Cat. No | Page No | Box/ Carton | Cat. No | Page No | Box/ Carton | Cat. No | Page No | Box/ Carton |
|--------------|---------|-------------|-----------------|---------|-------------|----------------|---------|-------------|----------------|---------|-------------|-------------|---------|-------------|--------------|---------|-------------|
| LA60023KES | 309 | 10/150 | LN770/0PLMI | 134 | 10/200 | LN770/2RJ1WE | 129 | 10/160 | LN770/5PLMI | 133 | 10/200 | LN777APLSB | 138 | 10/200 | LN787PLBL | 136 | 40/200 |
| LA60023KESD | 309 | 1 | LN770/0PLMS | 134 | 10/200 | LN770/2RJ2EBL | 129 | 10/160 | LN770/5PLMS | 133 | 10/200 | LN777APLVA | 138 | 10/200 | LN787PLCR | 136 | 40/200 |
| LA60024KBC | 309 | 10/150 | LN770/0PLOG | 134 | 10/200 | LN770/2RJ2ECCR | 129 | 10/160 | LN770/5PLOG | 133 | 10/200 | LN777APLWE | 138 | 10/200 | LN787PLDG | 136 | 10/200 |
| LA60024KES | 309 | 10/150 | LN770/0PLLOL | 134 | 10/200 | LN770/2RJ2EWE | 129 | 10/160 | LN770/5PLOL | 133 | 10/200 | LN777APLYE | 138 | 10/200 | LN787PLGL | 136 | 10/200 |
| LDL014KWE | 304 | 6 | LN770/0PLPI | 134 | 10/200 | LN770/2WE | 125 | 10/80 | LN770/5PLPI | 133 | 10/200 | LN777AWE | 128 | 10/120 | LN787PLKH | 136 | 10/200 |
| LDL013KPS | 301 | 20 | LN770/0PLRE | 134 | 10/200 | LN770/3BL | 125 | 10/80 | LN770/5PLRE | 133 | 10/200 | LN777BL | 128 | 10/120 | LN787PLLG | 136 | 10/200 |
| LDL013KWE | 301 | 20 | LN770/0PLSB | 134 | 10/200 | LN770/3CR | 125 | 10/80 | LN770/5PLSB | 133 | 10/200 | LN777CR | 128 | 10/120 | LN787PLMI | 136 | 10/200 |
| LDL014KPS | 301 | 20 | LN770/0PLVA | 134 | 10/200 | LN770/3GPLBL | 130 | 10/160 | LN770/5PLVA | 133 | 10/200 | LN777ESBLBL | 128 | 10/120 | LN787PLMS | 136 | 10/200 |
| LDL014KWE | 301 | 20 | LN770/0PLWE | 134 | 10/200 | LN770/3GPLCR | 130 | 10/160 | LN770/5PLWE | 133 | 40/200 | LN777ESBLGY | 128 | 10/120 | LN787PLOG | 136 | 10/200 |
| LDL023KPS | 301 | 20 | LN770/0PLYE | 134 | 10/200 | LN770/3GPLWE | 130 | 10/160 | LN770/5PLYE | 133 | 10/200 | LN777ESPLAS | 138 | 10/120 | LN787PLQL | 136 | 10/200 |
| LDL023KWE | 301 | 20 | LN770/1BL | 125 | 10/80 | LN770/3HBL | 126 | 10/80 | LN770/5WE | 125 | 10/80 | LN777ESPLAU | 139 | 10/120 | LN787PLPI | 136 | 10/200 |
| LDL024KPS | 301 | 20 | LN770/1CR | 125 | 10/80 | LN770/3HCR | 126 | 10/80 | LN770/6BL | 125 | 10/80 | LN777ESPLBL | 138 | 10/120 | LN787PLRE | 136 | 10/200 |
| LDL024KWE | 301 | 20 | LN770/1CXBL | 129 | 10/160 | LN770/3HWE | 126 | 10/80 | LN770/6CR | 125 | 10/80 | LN777ESPLDG | 138 | 10/120 | LN787PLSB | 136 | 10/200 |
| LDL033KPS | 301 | 20 | LN770/1CXWE | 129 | 10/160 | LN770/3PLAS | 132 | 10/200 | LN770/6GPLBL | 130 | 10/160 | LN777ESPLGL | 138 | 10/120 | LN787PLVA | 136 | 10/200 |
| LDL033KWE | 301 | 20 | LN770/1FCXWE | 129 | 10/160 | LN770/3PLAU | 132 | 10/200 | LN770/6GPLCR | 130 | 10/160 | LN777ESPLKH | 138 | 10/120 | LN787PLWE | 136 | 40/200 |
| LDL034KPS | 301 | 20 | LN770/1GPLBL | 130 | 10/160 | LN770/3PLBL | 132 | 40/200 | LN770/6GPLWE | 130 | 10/160 | LN777ESPLLI | 138 | 10/120 | LN787PLYE | 136 | 10/200 |
| LDL034KWE | 301 | 20 | LN770/1GPLCR | 130 | 10/160 | LN770/3PLCR | 132 | 40/200 | LN770/6HBL | 126 | 10/80 | LN777ESPLMI | 139 | 10/120 | LN787WE | 128 | 10/120 |
| LDL043KPS | 300 | 1 | LN770/1GPLWE | 130 | 10/160 | LN770/3PLDG | 132 | 10/200 | LN770/6HCR | 126 | 10/80 | LN777ESPLMS | 138 | 10/120 | LN787XBL | 128 | 10/120 |
| LDL043KWE | 300 | 20 | LN770/1HBL | 126 | 10/80 | LN770/3PLGL | 132 | 10/200 | LN770/6HWE | 126 | 10/80 | LN777ESPLOG | 139 | 10/120 | LN787XCR | 128 | 10/120 |
| LDL044KPS | 300 | 1 | LN770/1HCR | 126 | 10/80 | LN770/3PLKH | 132 | 10/200 | LN770/6PLAS | 133 | 10/200 | LN777ESPLOL | 138 | 10/120 | LN787XPLAS | 136 | 10/200 |
| LDL044KWE | 300 | 20 | LN770/1HWE | 126 | 10/80 | LN770/3PLLG | 132 | 10/200 | LN770/6PLAU | 134 | 10/200 | LN777ESPLPI | 139 | 10/120 | LN787XPLAU | 136 | 10/200 |
| LDRO1N700/36 | 303 | 24 | LN770/1PLAS | 131 | 10/200 | LN770/3PLMI | 132 | 10/200 | LN770/6PLBL | 133 | 40/200 | LN777ESPLRE | 139 | 10/120 | LN787XPLBL | 136 | 40/200 |
| LDRO2D700/18 | 303 | 50 | LN770/1PLAU | 131 | 10/200 | LN770/3PLMS | 132 | 10/200 | LN770/6PLCR | 133 | 40/200 | LN777ESPLSB | 139 | 10/120 | LN787XPLCR | 136 | 40/200 |
| LEP120WE | 301 | 12/96 | LN770/1PLBL | 131 | 10/200 | LN770/3PLOG | 132 | 10/200 | LN770/6PLDG | 134 | 10/200 | LN777ESPLVA | 138 | 10/120 | LN787XPLDG | 136 | 10/200 |
| LEP150WE | 301 | 12/96 | LN770/1PLCR | 131 | 10/200 | LN770/3PLOL | 132 | 10/200 | LN770/6PLGL | 133 | 10/200 | LN777ESPLWE | 138 | 10/120 | LN787XPLGL | 136 | 10/200 |
| LFL0110WBL | 304 | 12 | LN770/1PLDG | 131 | 10/200 | LN770/3PLPI | 132 | 10/200 | LN770/6PLKH | 134 | 10/200 | LN777ESPLYE | 139 | 10/120 | LN787XPLKH | 136 | 10/200 |
| LFL0120WBL | 304 | 6 | LN770/1PLGL | 131 | 10/200 | LN770/3PLRE | 132 | 10/200 | LN770/6PLLG | 134 | 10/200 | LN777ESWEGY | 128 | 10/120 | LN787XPLMI | 136 | 10/200 |
| LFL0130WBL | 304 | 4 | LN770/1PLKH | 131 | 10/200 | LN770/3PLSB | 132 | 10/200 | LN770/6PLMI | 134 | 10/200 | LN777ESWEWE | 128 | 10/120 | LN787XPLMS | 136 | 10/200 |
| LFL0140WBL | 304 | 4 | LN770/1PLLG | 131 | 10/200 | LN770/3PLVA | 132 | 10/200 | LN770/6PLMS | 133 | 10/200 | LN777PLAS | 137 | 10/200 | LN787XPLPI | 136 | 10/200 |
| LFL0213WBL | 304 | 10 | LN770/1PLMI | 131 | 10/200 | LN770/3PLWE | 132 | 40/200 | LN770/6PLOG | 134 | 10/200 | LN777PLAU | 137 | 10/200 | LN787XPLVA | 136 | 10/200 |
| LFS013KBL | 304 | 10 | LN770/1PLMS | 131 | 10/200 | LN770/3PLYE | 132 | 10/200 | LN770/6PLOL | 134 | 10/200 | LN777PLBL | 137 | 40/200 | LN787XPLWE | 136 | 40/200 |
| LFS0110WBL | 304 | 12 | LN770/1PLOG | 131 | 10/200 | LN770/3WE | 125 | 10/80 | LN770/6PLPI | 134 | 10/200 | LN777PLCR | 137 | 40/200 | LN787XWE | 128 | 10/120 |
| LFS0130WBL | 304 | 2 | LN770/1PLOL | 131 | 10/200 | LN770/4BL | 125 | 10/80 | LN770/6PLRE | 134 | 10/200 | LN777PLDG | 137 | 10/200 | LNA770/1BL | 127 | 10/120 |
| LFS0214WBL | 304 | 6 | LN770/1PLPI | 131 | 10/200 | LN770/4CR | 125 | 10/80 | LN770/6PLSB | 134 | 10/200 | LN777PLGL | 137 | 10/200 | LN770/1CR | 127 | 10/120 |
| LFS0316WBL | 304 | 4 | LN770/1PLRE | 131 | 10/200 | LN770/4GPLBL | 130 | 10/160 | LN770/6PLVA | 134 | 10/200 | LN777PLKH | 137 | 10/200 | LNA770/1PLAS | 135 | 10/200 |
| LGU10013K | 309 | 10/100 | LN770/1PLSB | 131 | 10/200 | LN770/4GPLCR | 130 | 10/160 | LN770/6PLWE | 133 | 40/200 | LN777PLLG | 137 | 10/200 | LNA770/1PLAU | 135 | 10/200 |
| LGU10014K | 309 | 10/100 | LN770/1PLVA | 131 | 10/200 | LN770/4GPLWE | 130 | 10/160 | LN770/6PLYE | 134 | 10/200 | LN777PLMI | 137 | 10/200 | LNA770/1PLBL | 135 | 10/200 |
| LM100L | 291 | 2 | LN770/1PLWE | 131 | 10/200 | LN770/4HBL | 126 | 10/80 | LN770/6WE | 125 | 10/80 | LN777PLMS | 137 | 10/200 | LNA770/1PLCR | 135 | 10/200 |
| LMR16703KWE | 301 | 16/64 | LN770/1PLYE | 131 | 10/200 | LN770/4HCR | 126 | 10/80 | LN777ABL | 128 | 10/120 | LN777PLOG | 137 | 10/200 | LNA770/1PLDG | 135 | 10/200 |
| LMR16704KWE | 301 | 16/64 | LN770/1RJ1BL | 129 | 10/160 | LN770/4HWE | 126 | 10/80 | LN777ACR | 128 | 10/120 | LN777PLOL | 137 | 10/200 | LNA770/1PLGL | 135 | 10/200 |
| LMR16903KWE | 301 | 12/48 | LN770/1RJ1CR | 129 | 10/160 | LN770/4PLAS | 132 | 10/200 | LN777AESBLBL | 128 | 10/120 | LN777PLPI | 137 | 10/200 | LNA770/1PLKH | 135 | 10/200 |
| LMR16904KWE | 301 | 12/48 | LN770/1RJ1WE | 129 | 10/160 | LN770/4PLAU | 133 | 10/200 | LN777AESBLGY | 128 | 10/120 | LN777PLRE | 137 | 10/200 | LNA770/1PLLG | 135 | 10/200 |
| LN3FCBL | 125 | 9/72 | LN770/1RJ2EBL | 129 | 10/160 | LN770/4PLBL | 132 | 40/200 | LN777AESPLAS | 139 | 10/120 | LN777PLSB | 137 | 10/200 | LNA770/1PLMI | 135 | 10/200 |
| LN3FCCR | 125 | 9/72 | LN770/1RJ2ECCR | 129 | 10/160 | LN770/4PLCR | 132 | 40/200 | LN777AESPLAU | 139 | 10/120 | LN777PLVA | 137 | 10/200 | LNA770/1PLMS | 135 | 10/200 |
| LN3FCHBL | 126 | 9/72 | LN770/1RJ2EWE | 129 | 10/160 | LN770/4PLDG | 132 | 10/200 | LN777AESPLBL | 139 | 10/120 | LN777PLWE | 137 | 10/200 | LNA770/1PLOG | 135 | 10/200 |
| LN3FCHCR | 126 | 9/72 | LN770/1WE | 125 | 10/80 | LN770/4PLGL | 132 | 10/200 | LN777AESPLDG | 139 | 10/120 | LN777PLYE | 137 | 10/200 | LNA770/1PLOL | 135 | 10/200 |
| LN3FCHWE | 126 | 9/72 | LN770/2BL | 125 | 10/80 | LN770/4PLKH | 132 | 10/200 | LN777AESPLGL | 139 | 10/120 | LN777WE | 128 | 10/120 | LNA770/1PLPI | 135 | 10/200 |
| LN3FCWE | 125 | 9/72 | LN770/2CR | 125 | 10/80 | LN770/4PLLG | 132 | 10/200 | LN777AESPLKH | 139 | 10/120 | LN777XBL | 128 | 10/120 | LNA770/1PLRE | 135 | 10/200 |
| LN400LHCR | 126 | 9/72 | LN770/2CX/FCXWE | 129 | 10/160 | LN770/4PLMI | 133 | 10/200 | LN777AESPLLG | 139 | 10/120 | LN777XCR | 128 | 10/120 | LNA770/1PLSB | 135 | 10/200 |
| LN400LHWE | 126 | 9/72 | LN770/2GPLBL | 130 | 10/160 | LN770/4PLMS | 132 | 10/200 | LN777AESPLMI | 139 | 10/120 | LN777XPLAS | 137 | 10/200 | LNA770/1PLVA | 135 | 10/200 |
| LN400LWE | 125 | 9/72 | LN770/2GPLCR | 130 | 10/160 | LN770/4PLOG | 133 | 10/200 | LN777AESPLMS | 139 | 10/120 | LN777XPLAU | 138 | 10/200 | LNA770/1PLWE | 135 | 10/200 |
| LN400TBL | 125 | 9/72 | LN770/2GPLWE | 130 | 10/160 | LN770/4PLOL | 132 | 10/200 | LN777AESPLPLOG | 139 | 10/120 | LN777XPLBL | 137 | 10/200 | LNA770/1PLYE | 135 | 10/200 |
| LN400TCR | 125 | 9/72 | LN770/2HBL | 126 | 10/80 | LN770/4PLPI | 133 | 10/200 | LN777AESPLOL | 139 | 10/120 | LN777XPLCR | 137 | 10/200 | LNA770/1WE | 127 | 10/120 |
| LN400THBL | 126 | 9/72 | LN770/2HCR | 126 | 10/80 | LN770/4PLRE | 133 | 10/200 | LN777AESPLPI | 139 | 10/120 | LN777XPLDG | 137 | 10/200 | LNA770/2BL | 127 | 10/120 |
| LN400THCR | 126 | 9/72 | LN770/2HWE | 126 | 10/80 | LN770/4PLSB | 133 | 10/200 | LN777AESPLRE | 139 | 10/120 | LN777XPLGL | 137 | 10/200 | LNA770/2CR | 127 | 10/120 |
| LN400THWE | 126 | 9/72 | LN770/2PLAS | 131 | 10/200 | LN770/4PLVA | 132 | 10/200 | LN777AESPLSB | 139 | 10/120 | LN777XPLKH | 137 | 10/200 | LNA770/2PLAS | 135 | 10/200 |
| LN400TWE | 125 | 9/72 | LN770/2PLAU | 132 | 10/200 | LN770/4PLWE | 132 | 40/200 | LN777AESPLVA | 139 | 10/120 | LN777XPLLG | 137 | 10/200 | LNA770/2PLBL | 135 | 10/200 |
| LN429 | 140 | 10/120 | LN770/2PLBL | 131 | 40/200 | LN770/4PLYE | 133 | 10/200 | LN777AESPLWE | 139 | 10/120 | LN777XPLMI | 137 | 10/200 | LNA770/2PLCR | 135 | 10/200 |
| LN450PBL | 125 | 9/72 | LN770/2PLCR | 131 | 40/200 | LN770/4WE | 125 | 10/80 | LN777AESPLYE | 139 | 10/120 | LN777XPLMS | 137 | 10/200 | LNA770/2PLDG | 135 | 10/200 |
| LN450PCR | 125 | 9/72 | LN770/2PLDG | 131 | 10/200 | LN770/5BL | 125 | 10/80 | LN777AESWEGY | 128 | 10/120 | LN777XPLOG | 137 | 10/200 | LNA770/2PLGL | 135 | 10/200 |
| LN450PWE | 125 | 9/72 | LN770/2PLGL | 131 | 10/200 | LN770/5CR | 125 | 10/80 | LN777AESWEWE | 128 | 10/120 | LN777XPLOL | 137 | 10/200 | LNA770/2PLLG | 135 | 10/200 |
| LN711 | 140 | 10/100 | LN770/2PLKH | 131 | 10/200 | LN770/5GPLBL | 130 | 10/160 | LN777APLAS | 138 | 10/200 | LN777XPLPI | 138 | 10/200 | LNA770/2PLMI | 135 | 10/200 |
| LN751 | 140 | 10/300 | LN770/2PLLG | 131 | 10/200 | LN770/5GPLCR | 130 | 10/160 | LN777APLAU | 138 | 10/200 | LN777XPLRE | 138 | 10/200 | LNA770/2PLMS | 135 | 10/200 |
| LN770/0GPLBL | 130 | 10/160 | LN770/2PLMI | 131 | 10/200 | LN770/5GPLWE | 130 | 10/160 | LN777APLBL | 138 | 10/200 | LN777XPLSB | 138 | 10/200 | LNA770/2PLOL | 135 | 10/20 |

| Cat. No | Page No | Box/ Carton | Cat. No | Page No | Box/ Carton | Cat. No | Page No | Box/ Carton | Cat. No | Page No | Box/ Carton | Cat. No | Page No | Box/ Carton | Cat. No | Page No | Box/ Carton |
|------------|---------|-------------|--------------|---------|-------------|--------------|---------|-------------|--------------|---------|-------------|---------------|---------|-------------|-----------------|---------|-------------|
| R105/6 | 273 | 10/50 | RGLBW2 | 324 | 16 | W | | | XL770/0PLBL | 200 | 10/120 | XL770/5PLCR | 199 | 10/320 | XL777EL10N3WE | 191 | 2 |
| R105/6TWIN | 273 | 5/20 | RGLCL21/30 | 325 | 5 | | | | XL770/0PLCR | 200 | 10/120 | XL770/5PLWE | 199 | 10/320 | XL777EL10NBE | 191 | 2 |
| R401B | 270 | 50 | RGLCL33/30 | 325 | 5 | WMALCIT | 320 | 4/40 | XL770/0PLMS | 200 | 10/120 | XL770/5WE | 180 | 10/160 | XL777EL10NWE | 191 | 2 |
| R402B | 270 | 50 | RGLHSC15 | 325 | 10/20 | WPADMS | 110 | 1/10 | XL770/0PLWE | 200 | 10/120 | XL770/6BL | 181 | 10/160 | XL777EL10RED | 191 | 2 |
| R605/3 | 306 | 20 | RGLKMVBL4 | 324 | 4 | WPADMS | 146 | 1/10 | XL770/0WE | 198 | 10/160 | XL770/6CR | 181 | 10/160 | XL777EL10WE | 191 | 2 |
| R605/4 | 306 | 12 | RGLKRSLD4 | 325 | 1/6 | WS38 | 230 | 2/72 | XL770/1BL | 180 | 10/160 | XL770/6GPLBL | 197 | 10/160 | XL777EL30/1015W | 192 | 2/100 |
| R605/5 | 306 | 6 | RGLKRSLD24 | 325 | 6/24 | WS38/15 | 230 | 2/72 | XL770/1BLMS | 180 | 10/160 | XL770/6GPLCR | 198 | 10/160 | XL777EL30BL | 191 | 2 |
| R605/6 | 306 | 6 | RGLKRSLD4 | 325 | 6/24 | WS38P | 230 | 2/72 | XL770/1CR | 180 | 10/160 | XL770/6GPLWE | 197 | 10/160 | XL777EL30CR | 191 | 2 |
| R615 | 292 | 10 | RGLKSSM4 | 324 | 4 | WS38R | 230 | 2/72 | XL770/1CXWE | 195 | 10/160 | XL770/6HWE | 183 | 10/160 | XL777EL30G1015W | 192 | 2/100 |
| R620 | 291 | 1 | RGLKVSPBL4 | 324 | 6 | WS40 | 230 | 5/60 | XL770/1D1WE | 198 | 10/160 | XL770/6PLBL | 200 | 10/120 | XL777EL30GWE | 192 | 2/100 |
| R620LED | 291 | 1 | RGLOSLD1 | 325 | 6/24 | WS40/15 | 230 | 5/60 | XL770/1D2WE | 198 | 10/160 | XL770/6PLCR | 200 | 10/120 | XL777EL30N3WE | 192 | 2/100 |
| R621/4D | 291 | 10/10 | RGLPCTAW20 | 325 | 6 | WS44 | 74 | 30 | XL770/1FCXWE | 195 | 10/160 | XL770/6PLWE | 200 | 10/120 | XL777EL30NWE | 192 | 2/100 |
| R621/6D | 291 | 10/10 | RGLSED2P | 325 | 4/16 | WS44B | 268 | 1/30 | XL770/1GPLBL | 197 | 10/160 | XL770/6WE | 180 | 10/160 | XL777EL30WE | 191 | 2 |
| R621/6WA | 291 | 10 | RGLSLMM4P | 324 | 8 | WS44S | 74 | 30 | XL770/1GPLCR | 197 | 10/160 | XL770EL10N1WE | 183 | 10/100 | XL777GR | 190 | 10/120 |
| R621/8A | 290 | 4 | RGLSPBL1 | 324 | 6 | WS53/1/15MG | 230 | 40 | XL770/1GPLWE | 197 | 10/160 | XL770EL10N2WE | 183 | 10/100 | XL777IDCLWE | 192 | 10/120 |
| R621/9A | 290 | 4 | RGLSPS1 | 324 | 6 | WS53/1/15WE | 230 | 40 | XL770/1HBE | 183 | 10/160 | XL770EL10WE | 183 | 10/100 | XL777IDWE | 192 | 10/120 |
| R621D1 | 290 | 2 | RGLSSLD2 | 325 | 6/24 | WS53/1MG | 230 | 40 | XL770/1HCR | 183 | 10/160 | XL770EL30WE | 183 | 10/100 | XL777IMG | 190 | 10/120 |
| R621D2 | 290 | 2 | RGLSSP2 | 324 | 6 | WS53/1WE | 230 | 40 | XL770/1HWE | 183 | 10/160 | XL770FWE | 195 | 10/160 | XL777NSBL | 190 | 10/120 |
| R621D2DA | 291 | 1 | RGLSSW1 | 325 | 6/24 | WS53/1XMG | 230 | 40 | XL770/1K1OWE | 186 | 10 | XL770KM1WE | 186 | 10 | XL777NSWE | 190 | 10/120 |
| R622/1AC | 292 | 1 | RGLSUP38 | 325 | 4 | WS53/2/15MG | 230 | 40 | XL770/1KLOWE | 186 | 10 | XL770KM2WE | 186 | 10 | XL777PA | 192 | 2 |
| R622/2AC | 292 | 1 | RGLTR60 | 325 | 8 | WS53/2MG | 230 | 40 | XL770/1PLBL | 199 | 10/320 | XL770KM3WE | 186 | 10 | XL777PLBL | 201 | 20/320 |
| R622D2 | 292 | 2 | RGLTR105 | 325 | 6 | WS53/2WE | 230 | 40 | XL770/1PLCR | 199 | 10/320 | XL770KM7WE | 186 | 10 | XL777PLCR | 201 | 20/320 |
| R623/1000A | 294 | 1 | RGLTR220 | 325 | 4 | WS53F/1/15MG | 230 | 40 | XL770/1PLMS | 199 | 10/320 | XL770KM8WE | 186 | 10 | XL777PLMS | 201 | 20/320 |
| R1202 | 279 | 10/100 | RGLTR400 | 325 | 2 | WS53F1MG | 230 | 40 | XL770/1PLWE | 199 | 10/320 | XL770KM9WE | 186 | 10 | XL777PLPB | 201 | 20/320 |
| R2601 | 275 | 10/40 | RGLVPLB | 324 | 10/20 | WS53F1WE | 230 | 40 | XL770/1RJ1WE | 195 | 10/160 | XL770KT1WE | 187 | 10 | XL777PLSS | 201 | 20/320 |
| R2602 | 275 | 10/40 | RGLVSBL | 324 | 6 | WS53F2MG | 230 | 40 | XL770/1RJ2WE | 195 | 10/160 | XL770KT2WE | 187 | 10 | XL777PLWE | 201 | 20/320 |
| R2604 | 275 | 5/20 | RGLVSPBL | 324 | 10/20 | WS53F2WE | 230 | 40 | XL770/1WE | 180 | 10/160 | XL770KT3WE | 187 | 10 | XL777RBL | 191 | 10/120 |
| R2606 | 275 | 5/20 | RHH01 | 277 | 32/160 | WS54/1MG | 230 | 5/60 | XL770/1WEMS | 180 | 10/160 | XL770KT4WE | 187 | 10 | XL777RCR | 191 | 10/120 |
| R2610 | 275 | 5/15 | RJ6P4C3/1 | 210 | 20/240 | WS170 | 228 | 5/60 | XL770/2BL | 180 | 10/160 | XL770KT5WE | 187 | 10 | XL777RED | 190 | 10/120 |
| R2702 | 275 | 10/40 | RJ6P4C3/2 | 210 | 20/240 | WS170/15 | 228 | 5/60 | XL770/2CR | 180 | 10/160 | XL770KT6WE | 187 | 10 | XL777RSWE | 191 | 10/120 |
| R2702EB | 275 | 10/40 | RJ8P8C5E/1 | 210 | 20/240 | WS170/20 | 228 | 5/60 | XL770/2D1WE | 198 | 10/160 | XL770KT7WE | 187 | 10 | XL777RWE | 191 | 10/120 |
| R2703 | 275 | 10/40 | RJ8P8C5E/1YE | 210 | 20/240 | WS170/20KLI | 229 | 5 | XL770/2GPLBL | 197 | 10/160 | XL770KT8WE | 187 | 10 | XL777SBL | 190 | 10/120 |
| R2703EB | 275 | 10/40 | RJ8P8C5E/2 | 210 | 20/240 | WS170/20KLI | 229 | 5 | XL770/2GPLCR | 197 | 10/160 | XL770KT10WE | 186 | 10 | XL777SCR | 190 | 10/120 |
| R2705 | 275 | 5/25 | RJ8P8C6/1 | 210 | 20/240 | WS170/20KLI | 229 | 5 | XL770/2GPLWE | 197 | 10/160 | XL770KT11WE | 186 | 10 | XL777SWE | 190 | 10/120 |
| R2705EB | 275 | 5/25 | RJ8P8C6/1BL | 210 | 20/240 | WS170/35 | 228 | 5/60 | XL770/2HBE | 183 | 10/160 | XL770KT12WE | 186 | 10 | XL777SWEMS | 190 | 10/120 |
| R2707 | 275 | 5/20 | RJ8P8C6/2 | 210 | 20/240 | WS170/202 | 228 | 5/60 | XL770/2HCR | 183 | 10/160 | XL770KT13WE | 186 | 10 | XL777USB2PSAW | 192 | 12 |
| R2710 | 275 | 5/15 | | | | WS170/202 | 228 | 5/60 | XL770/2HWE | 183 | 10/160 | XL770KT14WE | 186 | 10 | XL777USB2PSXWE | 192 | 12 |
| R2715 | 275 | 5/10 | | | | WS170KLI | 229 | 5 | XL770/2PLBL | 199 | 10/320 | XL770KT15WE | 186 | 10 | XL777TWE | 190 | 10/120 |
| R2720 | 275 | 4/8 | | | | WS170KLI | 229 | 5 | XL770/2PLCR | 199 | 10/320 | XL770KT16WE | 187 | 10 | XL777WEMS | 190 | 10/120 |
| R2805 | 276 | 5 | | | | WS170N | 228 | 5/60 | XL770/2PLMS | 199 | 10/320 | XL770THWE | 184 | 3 | XL777X3NSWE | 191 | 10/120 |
| R2810 | 276 | 5 | SQ770/0WE | 227 | 20 | WS170P | 228 | 5/60 | XL770/2PLWE | 199 | 10/320 | XL770TOBL | 195 | 10/160 | XL777X35OWE | 191 | 10/120 |
| R2810L | 276 | 5 | SQ770/1PLWE | 226 | 20 | WS170X | 228 | 5/60 | XL770/2RJ1WE | 195 | 10/160 | XL770TOCR | 195 | 10/160 | XL777XBL | 190 | 10/120 |
| R2810PBL | 276 | 5 | SQ770/2PLWE | 226 | 20 | WS171/1 | 228 | 3/60 | XL770/2RJ2WE | 195 | 10/160 | XL770TOPLWE | 202 | 10 | XL777XCHWE | 192 | 10/120 |
| R2815 | 276 | 5 | SQ770/3PLWE | 226 | 20 | WS171/1/15 | 228 | 3/60 | XL770/2WE | 180 | 10/160 | XL770TOWE | 195 | 10/160 | XL777XCR | 190 | 10/120 |
| R2815GL | 275 | 5 | SQ770/4PLWE | 226 | 20 | WS171/1/20 | 228 | 3/60 | XL770/3BL | 180 | 10/160 | XL770TWE | 183 | 3 | XL777XNSWE | 190 | 10/120 |
| R2815L | 276 | 5 | SQ770/5PLWE | 226 | 20 | WS171/2 | 228 | 3/60 | XL770/3CR | 180 | 10/160 | XL770UBL | 198 | 10/160 | XL777XPLBL | 201 | 20/320 |
| R2820 | 276 | 5 | SQ770/6PLWE | 226 | 20 | WS171/4 | 228 | 3/60 | XL770/3GPLBL | 197 | 10/160 | XL770UWE | 198 | 10/160 | XL777XPLCR | 201 | 20/320 |
| R2820L | 276 | 5 | SQ770/7PLWE | 226 | 20 | WS303/1F | 321 | 10/200 | XL770/3GPLCR | 197 | 10/160 | XL770VCKT1 | 186 | 10 | XL777XPLMS | 201 | 20/320 |
| R2820PBL | 276 | 5 | SQ770/9PLWE | 226 | 20 | | | | XL770/3GPLWE | 197 | 10/160 | XL770VCKT3 | 186 | 10 | XL777XPLWE | 201 | 20/320 |
| R2825 | 276 | 5 | SQ777SWE | 224 | 5/100 | | | | XL770/3HBE | 183 | 10/160 | XL770VCKT4 | 186 | 10 | XL777XSCR | 190 | 10/120 |
| R2825GL | 275 | 5 | SQ777WE | 224 | 5/100 | | | | XL770/3HWE | 183 | 10/160 | XL770VCKT5 | 186 | 10 | XL777XSWE | 190 | 10/120 |
| R2825L | 276 | 5 | SQ777XWE | 224 | 5/100 | | | | XL770/3PLBL | 199 | 10/320 | XL770VCKT6 | 186 | 10 | XL777XWE | 190 | 10/120 |
| R2908/15 | 277 | 5 | SQ787WE | 222 | 10/200 | XL1FB | 202 | 1 | XL770/3PLCR | 199 | 10/320 | XL770VCKT7 | 186 | 10 | XL787/2XBL | 188 | 10/160 |
| R2915/15CV | 277 | 3 | SWFFC02 | 208 | 10/500 | XL222/2TWE | 195 | 1 | XL770/3PLMS | 199 | 10/320 | XL770VCKT8 | 186 | 10 | XL787/2XCR | 188 | 10/160 |
| R2920 | 277 | 5 | | | | XL222PA/2TWE | 195 | 1 | XL770/3PLWE | 199 | 10/320 | XL770VCKT10 | 186 | 10 | XL787/2XPLMS | 201 | 20/320 |
| R2920/15CV | 277 | 3 | | | | XL250LBL | 182 | 3/108 | XL770/3WE | 180 | 10/160 | XL770VCKT12 | 186 | 10 | XL787/2XWE | 188 | 10/160 |
| R2925/15CV | 277 | 3 | | | | XL250LWE | 182 | 3/108 | XL770/4BL | 180 | 10/160 | XL770VCKT13 | 186 | 10 | XL787/15BL | 189 | 10/160 |
| R2930 | 277 | 3 | | | | XL250TBL | 181 | 3/108 | XL770/4CR | 180 | 10/160 | XL770VCKT14 | 186 | 10 | XL787/15CR | 189 | 10/160 |
| R2935 | 277 | 3 | TD170/1WE | 219 | 3 | XL250TWE | 181 | 3/108 | XL770/4GPLBL | 197 | 10/160 | XL770VCKT15 | 186 | 10 | XL787/15NSWE | 189 | 10/160 |
| R5102/1 | 276 | 5/25 | TF770/1RCWE | 219 | 3 | XL300FBL | 182 | 3/64 | XL770/4GPLCR | 197 | 10/160 | XL770VCKT16 | 186 | 10 | XL787/15SBL | 189 | 10/160 |
| REPC410 | 274 | 9 | TX770/1RCWE | 219 | 3 | XL300FWE | 182 | 3/64 | XL770/4GPLWE | 197 | 10/160 | XL777/15BL | 191 | 10/120 | XL787/15SWE | 189 | 10/160 |
| REPC410USB | 274 | 9 | TX770/2RCWE | 219 | 3 | XL400LBL | 182 | 3/108 | XL770/4HWE | 183 | 10/160 | XL777/15NSWE | 191 | 10/120 | XL787/15WE | 189 | 10/160 |
| REPC415 | 274 | 9 | | | | XL400LCR | 182 | 3/108 | XL770/4PLBL | 199 | 10/320 | XL777/15SWE | 191 | 10/120 | XL787/20BL | 189 | 10/160 |
| REPC11015 | | | | | | | | | | | | | | | | | |

| Cat. No | Page No | Box/ Carton | Cat. No | Page No | Box/ Carton | Cat. No | Page No | Box/ Carton | Cat. No | Page No | Box/ Carton | Cat. No | Page No | Box/ Carton | Cat. No | Page No | Box/ Carton |
|-----------------|---------|-------------|------------------|---------|-------------|-----------------|---------|-------------|----------------|---------|-------------|-----------------|---------|-------------|---------|---------|-------------|
| XL787IDCLWE | 189 | 10/160 | XLA770/2GPLCR | 198 | 20 | XLP770/4CRCR | 180 | 10/160 | XLP787BLBL | 188 | 10/160 | XLPV777WEWE | 194 | 10/120 | | | |
| XL787IDWE | 189 | 10/160 | XLA770/2GPLWE | 198 | 20 | XLP770/4GPLBLBL | 197 | 10/160 | XLP787CRCR | 188 | 10/160 | XLPV777XSBLBL | 194 | 10/120 | | | |
| XL787NSBL | 188 | 10/160 | XLA770/2PLBL | 200 | 20 | XLP770/4GPLCRCR | 197 | 10/160 | XLP787IDCLWEWE | 189 | 10/160 | XLPV777XSWEWE | 194 | 10/120 | | | |
| XL787NSWE | 188 | 10/160 | XLA770/2PLCR | 200 | 20 | XLP770/4GPLWEWE | 197 | 10/160 | XLP787PLBL | 201 | 20/320 | XLPV787/2XSBLBL | 193 | 10/160 | | | |
| XL787PLBL | 201 | 20/320 | XLA770/2PLWE | 200 | 20 | XLP770/4HWE | 183 | 10/160 | XLP787PLCR | 201 | 20/320 | XLPV787/2XSWEWE | 193 | 10/160 | | | |
| XL787PLCR | 201 | 20/320 | XLA770/2WE | 184 | 10/160 | XLP770/4PLBL | 199 | 10/320 | XLP787PLWE | 201 | 20/320 | XLPV787/2XWEWE | 193 | 10/160 | | | |
| XL787PLMS | 201 | 20/320 | XLA770/3BL | 184 | 10/160 | XLP770/4PLCR | 199 | 10/320 | XLP787RWEWE | 188 | 10/160 | XLPV787/15SBLBL | 193 | 10/160 | | | |
| XL787PLWE | 201 | 20/320 | XLA770/3CR | 184 | 10/160 | XLP770/4PLWE | 199 | 10/320 | XLP787SBLBL | 188 | 10/160 | XLPV787/15SWEWE | 193 | 10/160 | | | |
| XL787PRWE | 189 | 10/160 | XLA770/3GPLBL | 198 | 20 | XLP770/4WEWE | 180 | 10/160 | XLP787SWEWE | 188 | 10/160 | XLPV787SBLBL | 193 | 10/160 | | | |
| XL787PWE | 189 | 10/160 | XLA770/3GPLWE | 198 | 20 | XLP770/5BLBL | 180 | 10/160 | XLP787WEWE | 188 | 10/160 | XLPV787SWEWE | 193 | 10/160 | | | |
| XL787RBE | 188 | 10/160 | XLA770/3PLBL | 200 | 20 | XLP770/5CRCR | 180 | 10/160 | XLP787XBEBE | 188 | 10/160 | XLPV787WEWE | 193 | 10/160 | | | |
| XL787RBL | 188 | 10/160 | XLA770/3PLCR | 200 | 20 | XLP770/5GPLBLBL | 197 | 10/160 | XLP787XCRCR | 188 | 10/160 | XLPV787XSWEWE | 193 | 10/160 | | | |
| XL787RCR | 188 | 10/160 | XLA770/3PLWE | 200 | 20 | XLP770/5GPLCRCR | 197 | 10/160 | XLP787XPLBL | 201 | 20/320 | XLPW770H1WEWE | 184 | 3 | | | |
| XL787RSWE | 189 | 10/160 | XLA770/3WE | 184 | 10/160 | XLP770/5GPLWEWE | 197 | 10/160 | XLP787XPLCR | 201 | 20/320 | XLPW770H2WEWE | 184 | 3 | | | |
| XL787RWE | 188 | 10/160 | XLA770/4BL | 184 | 10/160 | XLP770/5HWEWE | 183 | 10/160 | XLP787XPLWE | 201 | 20/320 | XLPW770V1WEWE | 181 | 3/200 | | | |
| XL787SBL | 188 | 10/160 | XLA770/4CR | 184 | 10/160 | XLP770/5PLBL | 199 | 10/320 | XLP787XSWEWE | 188 | 10/160 | XLPW770V2WEWE | 181 | 3/200 | | | |
| XL787SCR | 188 | 10/160 | XLA770/4GPLBL | 198 | 20 | XLP770/5PLCR | 199 | 10/320 | XLP787XWEWE | 188 | 10/160 | XLTC | 202 | 1 | | | |
| XL787SWE | 188 | 10/160 | XLA770/4GPLCR | 198 | 20 | XLP770/5PLWE | 199 | 10/320 | XLP900AUDWEWE | 196 | 5 | XLTD770/1WE | 183 | 3 | | | |
| XL787WE | 188 | 10/160 | XLA770/4GPLWE | 198 | 20 | XLP770/5WEWE | 180 | 10/160 | XLP900USBWEWE | 196 | 5 | XLTF770/1WE | 183 | 3 | | | |
| XL787X15WE | 189 | 10/160 | XLA770/4PLBR | 200 | 20 | XLP770/6BLBL | 181 | 10/160 | XLP900WEWE | 196 | 5 | XLTX770/1AWE | 183 | 3 | | | |
| XL787XBL | 188 | 10/160 | XLA770/4PLCR | 200 | 20 | XLP770/6CRCR | 181 | 10/160 | XLP902WEWE | 195 | 5 | XLTX770/1NCWE | 183 | 3 | | | |
| XL787XCR | 188 | 10/160 | XLA770/4PLWE | 200 | 20 | XLP770/6GPLBLBL | 198 | 10/160 | XLP903WEWE | 195 | 5 | XLTX770/1WE | 183 | 3 | | | |
| XL787XNSBE | 188 | 10/160 | XLA770/4WE | 184 | 10/160 | XLP770/6GPLCRCR | 198 | 10/160 | XLP904/2WEWE | 195 | 5 | XLTX770/2AWE | 183 | 3 | | | |
| XL787XNWE | 189 | 10/160 | XLDC | 202 | 1 | XLP770/6GPLWEWE | 197 | 10/160 | XLP904R2WEWE | 196 | 5 | XLTX770/2NCWE | 183 | 3 | | | |
| XL787XPLMS | 201 | 20/320 | XLP250LWEWE | 182 | 3/108 | XLP770/6HWEWE | 183 | 10/160 | XLP904R3WEWE | 196 | 5 | XLTX770/2WE | 183 | 3 | | | |
| XL787XPLWE | 201 | 20/320 | XLP250TWEWE | 181 | 3/108 | XLP770/6PLBL | 200 | 10/120 | XLP904SVWEWE | 196 | 5 | XLTX770/3WE | 183 | 3 | | | |
| XL787XRWE | 189 | 10/160 | XLP300FWEWE | 182 | 3/64 | XLP770/6PLCR | 200 | 10/120 | XLP904USBWEWE | 196 | 5 | XLV424/3WWE | 195 | 1 | | | |
| XL787XSWE | 188 | 10/160 | XLP400LWEWE | 182 | 3/108 | XLP770/6PLWE | 200 | 10/120 | XLP904WEWE | 196 | 5 | XLV777BL | 194 | 10/120 | | | |
| XL787XWE | 188 | 10/160 | XLP400TWEWE | 181 | 3/108 | XLP770/6WEWE | 181 | 10/160 | XLP905WEWE | 196 | 5 | XLV777CR | 194 | 10/120 | | | |
| XL792/0AWE | 198 | 10/160 | XLP475/2WEWE | 182 | 3/64 | XLP770/7WEWE | 195 | 10/160 | XLP906WEWE | 195 | 5 | XLV777PLMS | 202 | 10/120 | | | |
| XL792/02ABL | 198 | 10/160 | XLP632WEWE | 185 | 3 | XLP770/7HWEWE | 184 | 3 | XLP907/2WEWE | 196 | 5 | XLV777SBL | 194 | 10/120 | | | |
| XL792/02AWE | 198 | 10/160 | XLP700LWEWE | 182 | 3/108 | XLP770/7OPLWE | 202 | 10 | XLP907WEWE | 196 | 5 | XLV777SCR | 194 | 10/120 | | | |
| XL792/4BL | 198 | 10/160 | XLP700TWEWE | 181 | 3/108 | XLP770/7OWEWE | 195 | 10/160 | XLP909WEWE | 196 | 5 | XLV777SWE | 194 | 10/120 | | | |
| XL792/4WE | 198 | 10/160 | XLP770/0BLBL | 198 | 10/160 | XLP770/7TWEWE | 183 | 3 | XLP910WEWE | 196 | 5 | XLV777WE | 194 | 10/120 | | | |
| XL792B15WE | 192 | 2/100 | XLP770/0PLBL | 200 | 10/120 | XLP770/7UWEWE | 198 | 10/160 | XLP911WEWE | 196 | 5 | XLV777XBL | 194 | 10/120 | | | |
| XL792BBL | 192 | 2/100 | XLP770/0PLCR | 200 | 10/120 | XLP777/15SWEWE | 191 | 10/120 | XLP912WEWE | 185 | 5 | XLV777XCR | 194 | 10/120 | | | |
| XL792BCR | 192 | 2/100 | XLP770/0PLWE | 200 | 10/120 | XLP777/15WEWE | 191 | 10/120 | XLP913WEWE | 185 | 5 | XLV777XSCR | 194 | 10/120 | | | |
| XL792BWE | 192 | 2/100 | XLP770/0WEWE | 198 | 10/160 | XLP777/1015WEWE | 191 | 10/120 | XLP914WEWE | 185 | 5 | XLV777XSWE | 194 | 10/120 | | | |
| XL792NSWE | 192 | 2/100 | XLP770/1BLBL | 180 | 10/160 | XLP777BLBL | 190 | 10/120 | XLP915WEWE | 185 | 5 | XLV777XWE | 194 | 10/120 | | | |
| XL798/0BL | 194 | 1 | XLP770/1CRCR | 180 | 10/160 | XLP777EL10WE | 191 | 2 | XLP917WEWE | 185 | 5 | XLV787/2XSWE | 193 | 10/160 | | | |
| XL798/0WE | 194 | 1 | XLP770/1CXWEWE | 195 | 10/160 | XLP777EL30/1015 | 192 | 2/100 | XLP918WEWE | 185 | 5 | XLV787/2XWE | 193 | 10/160 | | | |
| XL798/777EL30WE | 192 | 1 | XLP770/1FCXWE | 195 | 10/160 | XLP777EL30BLBL | 191 | 2 | XLP919WEWE | 185 | 5 | XLV787/15SWE | 193 | 10/160 | | | |
| XL798/777WE | 192 | 1 | XLP770/1GPLBLBL | 197 | 10/160 | XLP777EL30GWEWE | 192 | 2/100 | XLP920WEWE | 185 | 5 | XLV787/15WE | 193 | 10/160 | | | |
| XL1000ERCWE | 182 | 3/108 | XLP770/1GPLCRCR | 197 | 10/160 | XLP777EL30WEWE | 191 | 2 | XLP921WEWE | 185 | 5 | XLV787BL | 193 | 10/160 | | | |
| XL1000LWE | 182 | 3/108 | XLP770/1GPLWEWE | 197 | 10/160 | XLP777ESBLBL | 190 | 10/120 | XLP924WEWE | 185 | 5 | XLV787CR | 193 | 10/160 | | | |
| XL1000TWE | 182 | 3/108 | XLP770/1HWEWE | 183 | 10/160 | XLP777ESWEWE | 190 | 10/120 | XLP925WEWE | 185 | 5 | XLV787SBL | 193 | 10/160 | | | |
| XL1036BL | 181 | 10/160 | XLP770/1KLIOWEWE | 186 | 10 | XLP777IDCLWEWE | 192 | 10/120 | XLP926WEWE | 185 | 5 | XLV787SCR | 193 | 10/160 | | | |
| XL1036NWE | 181 | 10/160 | XLP770/1KLOWEWE | 186 | 10 | XLP777P15WEWE | 191 | 10/120 | XLP927WEWE | 185 | 5 | XLV787SWE | 193 | 10/160 | | | |
| XL1036PBL | 181 | 10/160 | XLP770/1PLBL | 199 | 10/320 | XLP777PAWEWE | 192 | 2 | XLP928WEWE | 185 | 5 | XLV787WE | 193 | 10/160 | | | |
| XL1036PLMS | 200 | 10/120 | XLP770/1PLCR | 199 | 10/320 | XLP777PWEWE | 201 | 20/320 | XLP930WEWE | 196 | 5 | XLV787XBL | 193 | 10/160 | | | |
| XL1036PLWE | 200 | 10/120 | XLP770/1PLWE | 199 | 10/320 | XLP777PLCR | 201 | 20/320 | XLP931WEWE | 196 | 5 | XLV787XSWE | 193 | 10/160 | | | |
| XL1036PNWE | 181 | 10/160 | XLP770/1RJ1WEWE | 195 | 10/160 | XLP777PLWE | 201 | 20/320 | XLP932WEWE | 196 | 5 | XLV787XWE | 193 | 10/160 | | | |
| XL1036PWE | 181 | 10/160 | XLP770/1RJ2WEWE | 195 | 10/160 | XLP777PWWEWE | 191 | 10/120 | XLP934WEWE | 196 | 5 | XLW770H1BL | 184 | 3 | | | |
| XL1036WE | 181 | 10/160 | XLP770/1WEWE | 180 | 10/160 | XLP777RWEWE | 191 | 10/120 | XLP935WEWE | 196 | 5 | XLW770H1WE | 184 | 3 | | | |
| XL2000ERCWE | 182 | 3/108 | XLP770/2BLBL | 180 | 10/160 | XLP777SBLBL | 190 | 10/120 | XLP939WEWE | 185 | 5 | XLW770H2BL | 184 | 3 | | | |
| XL7774BL | 193 | 5/30 | XLP770/2CRCR | 180 | 10/160 | XLP777SWEWE | 190 | 10/120 | XLP940WEWE | 185 | 5 | XLW770H2WE | 184 | 3 | | | |
| XL7774CR | 193 | 5/30 | XLP770/2GPLBLBL | 197 | 10/160 | XLP777WEWE | 190 | 10/120 | XLP941WEWE | 185 | 5 | XLW770V1BL | 181 | 3/200 | | | |
| XL7774PLWE | 202 | 5 | XLP770/2GPLCRCR | 197 | 10/160 | XLP777X35OWEWE | 191 | 10/120 | XLP943/2WEWE | 196 | 5 | XLW770V1WE | 181 | 3/200 | | | |
| XL7774WE | 192 | 5/30 | XLP770/2GPLWEWE | 197 | 10/160 | XLP777XBLBL | 190 | 10/120 | XLP943WEWE | 196 | 5 | XLW770V2BL | 181 | 3/200 | | | |
| XL7775/1WE | 193 | 1 | XLP770/2HWEWE | 183 | 10/160 | XLP777XCRCR | 190 | 10/120 | XLP945WEWE | 196 | 5 | XLW770V2WE | 181 | 3/200 | | | |
| XL7775/2WE | 193 | 1 | XLP770/2PLBL | 199 | 10/320 | XLP777XPLBL | 201 | 20/320 | XLP950WEWE | 195 | 5 | | | | | | |
| XL7775WE | 193 | 1 | XLP770/2PLCR | 199 | 10/320 | XLP777XPLCR | 201 | 20/320 | XLP1000ERCWEWE | 182 | 3/108 | | | | | | |
| XLA770/1BL | 184 | 10/160 | XLP770/2PLWE | 199 | 10/320 | XLP777XPLWE | 201 | 20/320 | XLP1000LWEWE | 182 | 3/108 | | | | | | |
| XLA770/1CR | 184 | 10/160 | XLP770/2WEWE | 180 | 10/160 | XLP777XSBLBL | 190 | 10/120 | XLP1000TWEWE | 182 | 3/108 | | | | | | |
| XLA770/1CXWE | 195 | 10/160 | XLP770/3BLBL | 180 | 10/160 | XLP777XSWEWE | 190 | 10/120 | XLP1036NWEWE | 181 | 10/160 | | | | | | |
| XLA770/1GPLBL | 198 | 20 | XLP770/3CRCR | 180 | 10/160 | XLP777XWEWE | 190 | 10/120 | XLP1036PBLBL | 181 | 10/160 | | | | | | |
| XLA770/1GPLCR | 198 | 20 | XLP770/3GPLBLBL | 197 | 10/160 | XLP787/2XWEWE | 188 | 10/160 | XLP1036PLWE | 200 | 10/120 | | | | | | |
| XLA770/1GPLWE | 198 | 20 | XLP770/3GPLCRCR | 197 | 10/160 | XLP787/15SBLBL | 189 | 10/160 | XLP1036PWEWE | 181 | 10/160 | | | | | | |
| XLA770/1PLBL | 200 | 20 | XLP770/3GPLWEWE | 197 | 10/160 | XLP787/15SWEWE | 189 | 10/160 | XLP1036WEWE | 181 | 10/160 | | | | | | |
| XLA770/1PLCR | 200 | 20 | XLP770/3HWEWE | 183 | 10/160 | XLP787/15WEWE | 189 | 10/160 | XLP2000ERCWEWE | 182 | 3/108 | | | | | | |
| XLA770/1PLWE | 200 | 20 | XLP770/3PLBL | 199 | 10/320 | XLP787/20BLBL | 189 | 10/160 | XLP7774WEWE | 192 | 5/30 | | | | | | |
| XLA770/1WE | 184 | 10/160 | XLP770/3PLCR | 199 | 10/320 | XLP787/20PLWE | 201 | 20/320 | XLPV777BEBE | 194 | 10/120 | | | | | | |
| XLA770/2BL | 184 | 10/160 | XLP770/3PLWE | 199 | 10/320 | XLP787/20WEWE | 189 | 10/160 | XLPV777PLWE | 202 | 10/120 | | | | | | |
| XLA770/2CR | 184 | 10/160 | XLP770/3WEWE | 180 | 10/160 | XLP787/25BLBL | 189 | 10/160 | XLPV777SBLBL | 194 | 10/120 | | | | | | |
| XLA770/2GPLBL | 198</ | | | | | | | | | | | | | | | | |

Alphabetical list

A

| | |
|---|--------------------------------|
| Access control (hospitality) | |
| Excel | 186-187 |
| Excel Life | 142, 154 |
| Standard | 221 |
| Accessories – general mounting and wiring | |
| adaptors | 28, 216, 169, 232, 279 |
| blanking plugs | 232 |
| brackets | 73, 140, 218, 264, 367 |
| cable clips | 269 |
| clips | 218, 264 |
| foam seals | 232 |
| holesaws | 232 |
| identification products | 270 |
| insulated and earth connectors | 270 |
| junction boxes | 74, 268 |
| mounting blocks | 266-268 |
| plastic shrouds | 265 |
| screws | 270 |
| supports | 232 |
| terminal strips | 75, 270 |
| wall boxes | 140, 179, 218, 265 |
| Adaptors | |
| double adaptors | 279 |
| travel adaptors | 279 |
| Audio kit | 284 |
| Amplifier/player | 284 |
| Analogue time switches – programmable | 32 |
| Analogue timers | 278 |
| Angled plugs – Hypra | 70-71 |
| Antimicrobial – Excel Life Medical | 175-179 |
| Appliance inlet – Hypra | 70 |
| Aqua | |
| powerpoints | 230 |
| switches | 228-229 |
| Architectural | |
| coverplates | 124 |
| grid & plates | 123 |
| mechanisms | 122 |
| powerpoints | 121 |
| shaver outlets | 121 |
| switches | 120 |
| Architrave coverplates | |
| Excel | 200 |
| Linea | 135 |
| Standard | 227 |
| Architrave grid & plate | |
| Excel | 198 |
| Excel Life | 148 |
| Architrave switches | |
| Excel | 184 |
| Excel Life | 142 |
| Linea | 127 |
| Standard | 220 |
| Arteor | |
| 770 series | 106-112 |
| automatic switches | 117 |
| blank modules | 114 |
| Coverplates | |
| 770 series | 112 |
| modular series | 118-119 |
| dimmers | 109 |
| electronic devices | 217 |
| grids | 157 |
| mechanisms | 151 |
| modular series | 118-119 |
| phone, TV, data & AV sockets | 202 |
| powerpoints | 124, 136-139, 150-151, 201-202 |
| push-button mechanisms | 109 |
| switches | 131-135, 149, 199, 200 |
| USB chargers and sockets | 107 |
| Automatic switches | |
| Arteor | 117 |
| Como | 216 |
| Soliroc | 231 |
| Automatic lights – Excel | 185 |
| AXIOM System | 328 |

B

| | |
|----------------------------------|------------------------|
| Bathroom heaters | 292 |
| replacement heat lamps | 292 |
| replacement R80 LED centre Light | 292 |
| Bi-lock mechanisms – Excel Life | 166 |
| Blank inserts & adaptors – Como | 216 |
| Blanking plugs | 232 |
| Blank modules – Arteor | 114 |
| Brackets | 73, 140, 218, 264, 367 |
| Bridging combs – Viking™3 | 90 |
| Bunker lights | 308 |
| Bulkhead lights | |
| Aqua | 365 |
| Excel | 196 |
| Excel Life | 153 |
| Bulkhead LED | 365 |
| Bulkhead | |
| emergency luminaire | 343 |
| commercial lighting | 365 |
| Busbars | 23, 25, 28 |
| Buzzers | |
| Arteor | 117 |
| Como | 217 |
| Excel | 185 |
| Excel Life | 153 |
| CAB3 | 78-84 |
| Cable clips | 269 |
| Cable reels | 277 |
| Cable retainers – Excel Life | 174 |
| Cable ducting | |
| Lina 25 | 76 |
| Transcab | 76-77 |
| Cable marking system | |
| CAB3 | 78-84 |
| Memocab | 85-87 |
| Call indicator – Excel Life | 153 |
| Ceiling exhaust fans | 290 |
| Ceiling speakers | 284 |
| Ceiling sweep fans | 293 |
| remote control kit | 294 |
| light kits | 294 |
| accessories | 294 |
| CFL lamps | 310-311 |
| Changeover switches | 31 |
| Child-safe powerboard | 274 |
| Chimes | 285 |
| Circuit breakers lock – TOGGLOCK | 28 |
| Coachlight | 308 |
| Combined outlets | 214 |
| Combined units | |
| for refrigerated containers | 69 |
| Commercial lighting | |
| LED panel | 301 |
| T5 metal battens | 359 |
| T8 metal battens | 359-360 |
| WP2 LED battens | 361-362 |
| WP2 T5 battens | 362-363 |
| WP2 T8 battens | 363-364 |
| Vortex LED highbay | 361 |
| Oyster | 360 |
| Bulkhead LED 365 & 360 | 365 |
| Como | |
| blank inserts & adaptors | 216 |
| combined outlets | 214 |
| coverplates | 217 |
| dimmers | 211-212 |
| fan controllers | 212 |
| installation accessories | 218 |

C

| | |
|---------------------------------------|------------------------|
| mechanisms | 215-217 |
| mounting brackets | 218 |
| phone, TV, data and AV sockets | 216 |
| powerpoints | 213, 215 |
| shrouds | 218 |
| stud brackets | 218 |
| support frames | 218 |
| switches | 211-212, 216 |
| wall boxes | 218 |
| Compact RCBO's | 26 |
| Connection accessories | |
| busbars | 28 |
| circuit breakers lock – TOGGLOCK | 28 |
| entry terminal adaptors | 28 |
| protection accessories | 28 |
| Consumer units | 58-60 |
| Contactors | 31 |
| Cord clamps – Excel Life | 174 |
| Cordline switches | 187 |
| Cord-pull ceiling switches – Standard | 219 |
| Coverplates | |
| Arteor | 106-107, 112, 118, 119 |
| Como | 217 |
| Excel | 199-202 |
| Excel Life | 149-151, 158-159, 179 |
| Linea | 232 |
| Soliroc | 199-202 |
| Crimping tools Starfix™ | 92 |

D

| | |
|---|---------------|
| Digital timers | 278 |
| Digital time switches – programmable | 32 |
| Dimmers | |
| Arteor | 109, 114 |
| Como | 211-212 |
| Excel | 181-182 |
| Excel Life | 167 |
| Linea | 125-126 |
| mechanisms | 206-207 |
| Standard | 220 |
| Dimmer knobs | |
| Como | 215 |
| Excel Life | 174 |
| DIN-rail equipment | |
| Compact RCBO's | 26 |
| DX³ compact RCBO's | 26 |
| isolating switches | 24 |
| TX³ MCB's | 23 |
| TX³ RCCB's | 25 |
| Distribution boards | |
| IP42 | 61-62 |
| IP55 | 63 |
| Distribution cabinets and enclosures | |
| load centres | 59 |
| Plexo³ | 58 |
| Door chimes | |
| wireless battery-operated | 285 |
| wireless bell presses | 285 |
| wireless plug-in | 285 |
| Door entry systems | |
| colour video and audio door entry kit | 283 |
| Double adaptors | 279 |
| Double powerpoint with dual USB charger | |
| Arteor | 112 |
| Excel | 192 |
| Excel Life | 144, 145, 155 |
| Downlights | |
| CFL | 306 |
| extension plates | 301 |
| halogen | 305 |
| LED | 300-301 |
| Duct adaptor – ventilation | 291 |
| Duct with cover – cable ducting | 76-77 |
| Ducting – ventilation | 291 |

| | |
|-----------------------|----|
| DX ³ | |
| compact RCBO's | 26 |
| isolating switch..... | 24 |
| RCBOs | 27 |

E

| | |
|--|--------------|
| E2 Edgelight exit sign..... | 330 |
| E3 Edgelight exit sign..... | 329 |
| Earth stud (node) – Excel Life Medical | 178 |
| EB Edgelight exit sign | 331 |
| Ehalogen lamps..... | 315 |
| Electronic devices | |
| Arteor | 117 |
| Como..... | 216-217 |
| Excel Life..... | 153 |
| Electrozap insect killer | 310 |
| Emergency power packs and batteries | 344 |
| Emergency stop switches | |
| Arteor | 117 |
| Como..... | 217 |
| Excel | 185 |
| Excel Life..... | 153 |
| Emergency testing systems | 328 |
| Emergency lighting | |
| AXIOM emergency lighting systems..... | 328 |
| E2 Edgelight exit sign | 330 |
| E3 Edgelight exit sign | 329 |
| EB Edgelight exit sign..... | 331 |
| ER2 utility exit sign..... | 334 |
| G2 LED slide connect exit sign..... | 333 |
| Large exit sign | 334-335 |
| Securit exit sign..... | 332-333 |
| Test switch and circuit sensing module..... | 328 |
| Weatherproof exit sign | 336 |
| Emergency lighting luminaires | |
| Satellite LED Series..... | 338 |
| twin spotlight..... | 339 |
| T5 metal battens | 339 |
| T8 metal battens | 340 |
| WP2 LED battens | 341 |
| WP2 T5 battens..... | 342 |
| WP2 T8 battens..... | 342 |
| Oyster..... | 343 |
| Bulkhead LED 360 | 343 |
| Emergency power packs and batteries..... | 344 |
| Enclosures | |
| Load centre | 59 |
| Plexo ³ | 58 |
| Engraved powerpoints – Excel Life Medical | 176-177 |
| Engraved switch mechanisms | 108, 162-165 |
| Entry terminal adaptors | 28 |
| Equipotential boxes – Excel Life Medical..... | 179 |
| ER2 utility exit sign | 334 |
| Excel | |
| architrave switches | 184 |
| automatic lights..... | 185 |
| bulkhead lights..... | 196 |
| buzzers | 185 |
| coverplates | 199-202 |
| dimmers | 181-182 |
| emergency stop switches | 185 |
| fan controllers | 182 |
| grid & plates..... | 197-198 |
| heavy-duty rocker switches | 181 |
| hospitality..... | 187 |
| hotel room indicators | 185 |
| illuminated signs | 185 |
| keycard switches | 186 |
| keylock switches..... | 186 |
| keytag switches | 186-187 |
| movement sensor switches..... | 185 |
| no touch switches | 185 |
| paint blister | 202 |
| phone, TV, data & AV sockets..... | 195-196 |
| powerpoints | 188-194 |
| RCD protected switches | 191 |
| shaver outlets..... | 194 |
| shutter switches | 185 |
| skirting lights..... | 185 |
| switches | 180-187 |
| temperature control switches..... | 185 |
| time delay switches..... | 183-184 |
| USB chargers..... | 192 |

| | |
|--------------------------------------|--------------|
| Excel Life | |
| accessories | |
| blank modules | 173 |
| brackets..... | 173 |
| cable retainers | 174 |
| cord clamps..... | 174 |
| dimmer knobs..... | 174 |
| fan controller knobs | 174 |
| insert modules | 173 |
| key fob | 174 |
| mechanism retention kit..... | 174 |
| paint cover | 174 |
| panel adaptor | 174 |
| shrouds | 174 |
| common plate series | |
| coverplates | 158-159 |
| bulkhead lights | 153 |
| electronic devices..... | 153 |
| grid & plates | 157, 159 |
| hospitality | 154 |
| keycard switches..... | 154 |
| key fob switches | 154 |
| mounting frame..... | 157 |
| no contact switches..... | 153 |
| outlets coverplates..... | 158 |
| phone, TV, data & AV sockets | 152 |
| powerpoints | 155-156, 159 |
| roller blinds control switches | 153 |
| sensor lights..... | 153 |
| shaver outlets..... | 156 |
| signal & bulkhead lights | 153 |
| skirting lights..... | 153 |
| switches..... | 152-154 |
| thermostat switches | 153 |
| time delay switches | 153 |
| weatherproof IP66 switches..... | 152 |
| dedicated plate series | |
| coverplates | 149-151 |
| fan controllers | 142 |
| grid & plates | 147 |
| hospitality | 142 |
| instant heat controllers..... | 142 |
| keycard switches | 142 |
| Key fob switches..... | 142 |
| powerpoints | 143-146 |
| shaver outlets..... | 146 |
| switches | 141-142 |
| USB chargers | 144 |
| weatherproof IP66 switches..... | 141-142 |
| mechanisms | |
| bi-locks | 166 |
| dimmers | 167 |
| double pole switches..... | 161 |
| engraved rockers..... | 162-165 |
| fan controllers | 167 |
| indicators | 172 |
| keylocks | 166 |
| keytags | 166 |
| phone, TV, data and AV sockets | 168-170 |
| powerpoints | 166 |
| push-buttons..... | 160 |
| remote controlled dimmers..... | 167 |
| rotary dimmers..... | 167 |
| rotary switches..... | 161 |
| spring return switches | 161 |
| surge protection..... | 172 |
| switches | 160-165 |
| time-delay push-buttons | 166 |
| USB chargers | 170-171 |
| medical | |
| coverplates | 179 |
| earth stud (node) | 178 |
| engraved | |
| powerpoints..... | 176-177 |
| equipotential boxes | 179 |
| grid & plates | 178 |
| panel adaptors..... | 179 |
| powerpoints | 176-177 |
| RCD plates..... | 178 |
| spring return switches | 175 |
| coverplates | |
| gas outlet plastic | 179 |
| gas outlet stainless steel | 179 |
| plastic | 179 |
| stainless steel | 179 |
| switch mechanisms | 178 |
| switches | 175, 178 |
| wall boxes..... | 179 |
| secure plate series | |
| coverplates | 159 |

| | |
|---------------------------------------|-----|
| grid & plates | 159 |
| powerpoints | 159 |
| Extension leads | |
| accessories..... | 277 |
| cable reels | 277 |
| heavy-duty | 276 |
| heavy-duty lead with inline RCD | 276 |
| household duty | 275 |
| External grilles – ventilation | 291 |

F

| | |
|---|------------|
| Fan controllers | |
| Como..... | 211-212 |
| Excel | 182 |
| Excel Life..... | 142, 167 |
| Linea | 125-126 |
| mechanisms..... | 207 |
| Standard | 220 |
| Fan controller knobs..... | 174 |
| Fans | |
| bathroom | 290-291 |
| ceiling..... | 290, 293 |
| Fluorescent battens residential | 307 |
| Fluorescent bunker lights residential | 308 |
| Fluorescent oyster lights residential..... | 308 |
| Fluorescent T5 lamps | 312 |
| Fluorescent T8 lamps..... | 313-315 |
| Fluorescent wall lights | 308 |
| Flush mounting boxes – Soliroc | 232 |
| Ferrules – Starfix TM | |
| with insulating flange | 91 |
| refills and accessories | 92 |
| Floodlights outdoor | |
| halogen | 306 |
| incandescent | 306 |
| LED | 304 |
| Fork type supply busbars | 23, 25, 28 |

G

| | |
|--------------------------------------|-------------------|
| G2 LED Slide Connect exit sign | 333 |
| Garden lighting..... | 324-325 |
| Gas outlet coverplates | |
| plastic..... | 179 |
| stainless steel..... | 179 |
| Grid | |
| Arteor | 111, 119 |
| Excel Life..... | 157 |
| Grid & plates | |
| Architectural..... | 123 |
| Excel | 197-198 |
| Excel Life..... | 147-148, 157, 159 |
| Excel Life Medical..... | 178 |
| Linea | 130 |

H

| | |
|--|----------|
| Hotel room indicators | |
| Excel | 185 |
| Hand dryer | 294 |
| Heavy-duty rocker switches | |
| Excel | 181 |
| Standard | 219 |
| Home automation kits – MyHOME TM | 282 |
| Hospitality | |
| Excel | 186, 187 |
| Excel Life..... | 154, 142 |
| Standard | 221 |
| Hypra | |
| angled plugs IP44/IP55..... | 71 |
| angled plugs IP66/IP67 | 70 |
| appliance inlet IP66/IP67 | 70 |
| appliance inlet refrigerated container..... | 69 |
| combination switched socket refrigerated container | 69 |
| MCB protected outlets IP66/IP67..... | 68 |
| mobile socket refrigerated container | 69 |

| | |
|---|----|
| mobile sockets IP44/IP55..... | 73 |
| mobile sockets IP66/IP67..... | 72 |
| panel mount socket IP44/IP55..... | 73 |
| panel mount socket IP66/IP67..... | 72 |
| RCBO protected outlets IP66/IP67..... | 68 |
| RCD protected outlets IP66/IP67..... | 68 |
| refrigerated container units IP66/IP67..... | 69 |
| straight plug refrigerated container..... | 69 |
| straight plugs IP44/IP55..... | 71 |
| straight plugs IP66/IP67..... | 70 |
| surface mount socket IP44/IP45..... | 73 |
| surface mount socket IP66/IP67..... | 73 |
| switched socket outlets IP66/IP67..... | 69 |

I

| | |
|---|-------|
| Identification products..... | 270 |
| Illuminated signs | |
| Arteor..... | 117 |
| Como..... | 217 |
| Excel..... | 185 |
| In-ceiling speakers..... | 284 |
| In-wall speakers..... | 284 |
| Indicator mechanisms | |
| Excel Life..... | 172 |
| Soliroc..... | 231 |
| IP56 weatherproof switches – Aqua..... | 228 |
| IP66 weatherproof switches – Excel Life..... | 142 |
| Industrial plastic boxes | |
| IP55 plastic boxes..... | 74 |
| IP55 junction boxes..... | 74 |
| IP66 plastic boxes..... | 75 |
| Industrial luminaires..... | 361 |
| Industrial plugs and sockets - Hypra..... | 68-73 |
| Isolating switches | |
| Aqua IP56..... | 228 |
| DIN-rail equipment..... | 23-27 |
| Insert modules – Excel Life..... | 173 |
| Inserts for Multi & Esco range – Architectural..... | 124 |
| Instant heat controllers – Excel Life..... | 142 |
| Insulated and earth connectors..... | 270 |
| International travel adaptors..... | 279 |

J

| | |
|---------------------|---------|
| Junction boxes..... | 74, 268 |
|---------------------|---------|

K

| | |
|--------------------------------------|----------|
| Keycard switches | |
| Excel..... | 186 |
| Excel Life..... | 154, 142 |
| Keylock switch mechanisms | |
| Aqua IP53..... | 229 |
| Excel..... | 186 |
| Excel Life..... | 166 |
| mechanisms..... | 206 |
| Standard..... | 221 |
| Keyfob switches – Excel Life..... | 142, 154 |
| Key switch mechanisms – Soliroc..... | 231 |
| Keytag mechanisms | |
| Excel..... | 186-187 |
| mechanisms..... | 166 |
| standard..... | 221 |

L

| | |
|-----------------------|--------------|
| Lamps | |
| CFL..... | 310-312 |
| fluorescent..... | 308, 312-315 |
| ehalogen..... | 315-316 |
| halogen..... | 316-318 |
| tungsten halogen..... | 318 |
| incandescent..... | 318-319 |
| LED..... | 309 |
| Large exit sign..... | 334-335 |
| LED | |

| | |
|------------------------------------|---------|
| bulkhead LED commercial..... | 365 |
| downlights..... | 300 |
| floodlights..... | 304 |
| lamps..... | 309 |
| luminess LED panel light..... | 358 |
| panel lights..... | 301 |
| starlights..... | 303 |
| step lights..... | 303 |
| striplights..... | 303 |
| WP2 battens LED commercial..... | 361-362 |
| wall lights..... | 303 |
| Vortex LED highbay commercial..... | 361 |

| | |
|--------------------------|-----|
| Light sensitive switches | |
| Aqua..... | 229 |
| lighting management..... | 367 |
| Soliroc..... | 231 |

| | |
|---------------------------|-----|
| Lighting accessories..... | 321 |
|---------------------------|-----|

| | |
|------------------------------------|----------|
| Lighting fixtures | |
| bulkhead LED commercial..... | 365 |
| bunker lights..... | 304, 308 |
| CFL downlights..... | 306 |
| coachlights..... | 308 |
| downlights extension plates..... | 301 |
| fluorescent battens..... | 307 |
| fluorescent bunker lights..... | 308 |
| fluorescent oyster lights..... | 308 |
| fluorescent wall lights..... | 308 |
| halogen downlights..... | 305 |
| halogen floodlights..... | 306 |
| incandescent floodlights..... | 306 |
| LED downlights..... | 300 |
| LED floodlights..... | 304 |
| LED panel lights..... | 301 |
| LED starlights..... | 303 |
| LED step lights..... | 303 |
| LED striplights..... | 303 |
| LED wall lights..... | 303 |
| outdoor floodlights..... | 306 |
| oyster light commercial..... | 360 |
| T5 metal battens commercial..... | 359 |
| T5 Fluorescent battens..... | 307 |
| T8 Fluorescent battens..... | 307 |
| T8 metal battens commercial..... | 359 |
| Vortex LED highbay commercial..... | 361 |
| WP2 LED batten commercial..... | 361-362 |

| | |
|--------------------------|---------|
| Lighting management | |
| motion sensors..... | 366-367 |
| remote control..... | 367 |
| surface mount boxes..... | 367 |

| | |
|-----------------------------------|---------|
| Linea | |
| accessories..... | 140 |
| coverplates | |
| architrave..... | 135 |
| powerpoints..... | 136-139 |
| switches..... | 125-127 |
| dimmers..... | 125-126 |
| fan controllers..... | 125-126 |
| grid & plates..... | 130 |
| mounting brackets..... | 140 |
| paint cover..... | 140 |
| phone, TV, data & AV sockets..... | 129 |
| powerpoints..... | 128 |
| push-buttons..... | 125 |
| shrouds..... | 140 |
| switches – architrave..... | 127 |
| switches..... | 125-126 |
| wall boxes..... | 140 |
| Load centre enclosures..... | 59 |
| Lina 25 cable ducting..... | 78, 331 |
| Low voltage surge protection..... | 30 |
| Luminess LED panel light..... | 358 |

M

| | |
|----------------|-------|
| Marking system | |
| CAB3..... | 78-84 |
| Memocab..... | 85-87 |

| | |
|--|----|
| Main switches..... | 29 |
| MCBs | |
| plug-in..... | 29 |
| TX ³ | 23 |
| MCB protected outlets – Hypra IP66/67..... | 68 |

| | |
|-------------------------|------------------|
| Mechanisms | |
| Architectural..... | 122 |
| Arteor..... | 108-110, 113-115 |
| Como..... | 215-217 |
| Excel Life..... | 160-167, 170-172 |
| Excel Life Medical..... | 178 |
| Soliroc..... | 231 |

| | |
|-------------------------------------|---------|
| Excel | |
| cordline switches..... | 187 |
| dimmers..... | 182 |
| fan controllers..... | 182 |
| keytag switches..... | 186 |
| phone, TV, data and AV sockets..... | 195 |
| switches..... | 180-187 |
| mechanisms..... | 203-209 |

| | |
|-------------------------------------|---------|
| Linea | |
| dimmers..... | 126 |
| fan controllers..... | 125 |
| phone, TV, data and AV sockets..... | 129 |
| switches..... | 125-127 |

| | |
|---|-----|
| Mechanism retention kit – Excel Life..... | 159 |
|---|-----|

| | |
|-----------------------------|-------|
| Memocab marking system..... | 85-87 |
|-----------------------------|-------|

| | |
|-----------------------------|-------|
| Mobile sockets – Hypra..... | 72-73 |
|-----------------------------|-------|

| | |
|----------------------|-----|
| Mounting accessories | |
| Accessories..... | 270 |
| Architectural..... | 124 |
| Como..... | 218 |
| Excel Life..... | 173 |
| Linea..... | 140 |

| | |
|------------------|--|
| Movement sensors | |
|------------------|--|

| | |
|-------------------|-----|
| IP44 Sensors..... | 322 |
|-------------------|-----|

| | |
|-------------------|-----|
| IP66 Sensors..... | 322 |
|-------------------|-----|

| | |
|--|-----|
| Multipanel coverplates – Excel Life..... | 158 |
|--|-----|

| | |
|-----------------------------------|-----|
| MyHOME™ home automation kits..... | 282 |
|-----------------------------------|-----|

| | |
|----------------------|-----|
| Multiroom audio..... | 284 |
|----------------------|-----|

N

| | |
|------------------|-----|
| Night light..... | 321 |
|------------------|-----|

| | |
|-------------------|--|
| No touch switches | |
|-------------------|--|

| | |
|------------|-----|
| Excel..... | 185 |
|------------|-----|

| | |
|-----------------|-----|
| Excel Life..... | 153 |
|-----------------|-----|

| | |
|-----------------------|--|
| NUVO® multiroom audio | |
|-----------------------|--|

| | |
|------------------|-----|
| accessories..... | 284 |
|------------------|-----|

| | |
|----------------|-----|
| audio kit..... | 284 |
|----------------|-----|

| | |
|-------------------------|-----|
| players/amplifiers..... | 284 |
|-------------------------|-----|

| | |
|---------------|-----|
| speakers..... | 284 |
|---------------|-----|

O

| | |
|---------------|--|
| Oyster lights | |
|---------------|--|

| | |
|------------------|----------|
| residential..... | 303, 308 |
|------------------|----------|

| | |
|-----------------|-----|
| commercial..... | 360 |
|-----------------|-----|

| | |
|-----------------------|-----|
| Outdoor speakers..... | 284 |
|-----------------------|-----|

P

| | |
|----------------|--|
| Panel adaptors | |
|----------------|--|

| | |
|-----------------|-----|
| Excel Life..... | 174 |
|-----------------|-----|

| | |
|-------------------------|-----|
| Excel Life Medical..... | 179 |
|-------------------------|-----|

| | |
|----------------------------------|--------|
| Panel mount sockets – Hypra..... | 72, 73 |
|----------------------------------|--------|

| | |
|------------------------|-----|
| Passage detection..... | 366 |
|------------------------|-----|

| | |
|--------------------------------|--|
| Phone, TV, data and AV sockets | |
|--------------------------------|--|

| | |
|-------------|-----|
| Arteor..... | 116 |
|-------------|-----|

| | |
|-----------|----------|
| Como..... | 214, 216 |
|-----------|----------|

| | |
|------------|---------|
| Excel..... | 195-196 |
|------------|---------|

| | |
|-----------------|--------------|
| Excel Life..... | 146, 169-170 |
|-----------------|--------------|

| | |
|------------|-----|
| Linea..... | 129 |
|------------|-----|

| | |
|-----------------|---------|
| mechanisms..... | 208-210 |
|-----------------|---------|

| | |
|--------------|-----|
| Soliroc..... | 232 |
|--------------|-----|

| | |
|---------------|-----|
| Standard..... | 225 |
|---------------|-----|

| | |
|---|-----|
| Plastic coverplates – Excel Life Medical..... | 179 |
|---|-----|

| | |
|--|-----------------------|
| Players/amplifiers | 284 |
| Plexo ³ enclosures | 58 |
| Plug-in MCB's | 29 |
| Plug-in timers | |
| analogue outdoor timers | 278 |
| analogue timers | 278 |
| digital timers | 278 |
| Plugs and sockets – Hypra industrial | 68-73 |
| Plug bases | 271-272 |
| Plug tops | 271 |
| Plugboss heavy-duty | 274 |
| Powerboards | |
| child-safe | 274 |
| individual switched outlets | 273 |
| master switch | 273 |
| Plugboss heavy-duty | 274 |
| power adaptor | 274 |
| TV & AV | 273 |
| USB chargers | 273 |
| worksite portable powercentre | 274 |
| Worksite portable powercentre | 274 |
| Powerpoints | |
| Architectural | 121 |
| Arteor | 107 |
| Aqua | 230-231 |
| Como | 213 |
| Excel | 188-194 |
| Excel Life | 143-146, 155-156, 159 |
| Excel medical | 176-177 |
| DIN-rail | 29 |
| Linea | 128 |
| Standard | 222-224 |
| Soliroc | 231 |
| Power terminal blocks – Viking™3 | 89 |
| Prong type supply busbars | 28 |
| Push-buttons | |
| Arteor | 109, 113-114 |
| Excel Life | 160, 166-167 |
| Linea | 125 |
| mechanisms | 205 |
| Soliroc | 231 |

Q

R

| | |
|--|---------|
| RCD protected outlets – Hypra IP66/67 | 68 |
| Refrigerated container units – Hypra IP66/67 | 69 |
| RCD plates – Excel Life Medical | 178 |
| RCBO protected outlets – Hypra IP66/67 | 68 |
| Rotary dimmers | |
| Arteor | 109 |
| Como | 211-212 |
| Excel | 181-182 |
| Excel Life | 167 |
| Linea | 125-126 |
| mechanisms | 206 |
| Standard | 220 |

S

| | |
|-----------------------------|----------|
| Safety plugs | 272 |
| Satellite LED series | 338 |
| Securit exit sign | 332-333 |
| Sensors | |
| IP44 movement sensors | 322 |
| IP66 movement sensors | 322 |
| Shaver outlets and sockets | |
| Architectural | 121 |
| Excel | 194, 192 |
| Excel Life | 146, 156 |
| Shrouds | |
| Excel | 218 |
| Excel Life | 174 |
| Linea | 140 |
| Skirting lights | |
| Arteor | 117 |

| | |
|--|----------|
| Como | 216 |
| Excel | 185 |
| Excel Life | 153 |
| Smoke alarm – photoelectric | 322 |
| Soliroc | |
| coverplates | 232 |
| flush mounting boxes | 232 |
| mechanisms | 231 |
| phone, TV, data and AV sockets | 232 |
| powerpoints | 231 |
| switches | 231 |
| Speakers | 284 |
| Standard | |
| coverplates | 226-227 |
| dimmers | 220 |
| fan controllers | 220 |
| hospitality | 221 |
| keylock switches | 221 |
| keytag switches | 221 |
| phone, TV, data and AV sockets | 225 |
| powerpoints | 222-224 |
| relay switches | 219 |
| switches | 219-221 |
| Starfix™ crimping tools and ferrules | 92 |
| Straight plugs – Hypra | 70-71 |
| Supply busbars | 28 |
| Surface mount socket – Hypra | 73 |
| Surge protection | 172 |
| Suspension rod kits | 330, 333 |
| Switches | |
| Architectural | 120 |
| Arteor | 109 |
| Aqua | 228-229 |
| Como | 211 |
| Excel | 180-187 |
| Excel Life | 152-154 |
| Excel Life Medical | 175 |
| Linea | 125-127 |
| mechanisms | 206 |
| Standard | 219-221 |
| Soliroc | 231 |

T

| | |
|--|----------|
| T8 metal battens emergency | 340 |
| T8 fluorescent battens | 307 |
| T5 metal battens | 359 |
| T5 fluorescent battens | 307 |
| Time switches – programmable (DIN-rail mounting) | |
| analogue time switches | 32 |
| astronomical | 32 |
| digital time switches | 32 |
| digital multifunction | 32 |
| Time delay switches | |
| Arteor | 117 |
| Como | 216 |
| Excel | 183-184 |
| Excel Life | 153 |
| Standard | 219 |
| Soliroc | 231 |
| Timers | |
| plug-in analogue outdoor timers | 278, 325 |
| plug-in analogue timers | 278 |
| plug-in digital timers | 278 |
| TOGGLOCK – circuit breaker lock | 28 |
| Transcab cable ducting | 76, 77 |
| Travel adaptors | 279 |
| TX ³ | |
| RCCB's | 25 |
| MCB's | 23 |

U

| | |
|--------------|--------------|
| USB chargers | |
| Arteor | 107, 109-110 |

| | |
|---------------------------|----------------------------|
| Excel | 192 |
| Excel Life | 144-146, 152, 155, 170-171 |
| mechanisms | 208 |
| mobile products | 273, 278 |
| powerboards | 273 |
| USB travel chargers | 278 |

V

| | |
|--|---------|
| Ventilation | |
| bathroom heaters | 292 |
| replacement heat lamps | 292 |
| replacement LED centre light | 292 |
| ceiling exhaust fans | 290 |
| ceiling sweep fans | 293 |
| ceiling sweep fans accessories | 294 |
| ceiling sweep fans light kits | 294 |
| ceiling sweep fans remote control kit | 294 |
| duct adaptor | 291 |
| ducting | 291 |
| exhaust fans | 290-291 |
| external grilles | 291 |
| hand dryer | 294 |
| time-delay module | 2 |
| vent cowl | 291 |
| wall exhaust fans | 290 |
| wall kits | 291 |
| window kits | 291 |
| Video and audio door entry kits | 283 |
| Viking™3 | |
| screw connection | 88-89 |
| accessories | 90 |
| Voltage surge protectors (DIN-rail mounting) | 30 |
| replacement plug-in modules | 30 |
| Vortex LED highbay | 361 |

W

| | |
|---|--------------------|
| Wall boxes | 140, 179, 218, 265 |
| Wall exhaust fans | 290 |
| Wall kits – ventilation | 291 |
| Wall speakers | 284 |
| Weatherproof exit sign | 336 |
| Weatherproof IP56 switches – Aqua | 228 |
| Weatherproof IP66 switches – Excel Life | 141, 152 |
| Weatherproof LED battens | 341-342 |
| Wireless players | 284 |

X

Y

Z

Conditions of sale

In accordance with its policy of continuous improvement the Company reserves the right to change specifications and designs without notice. All illustrations descriptions dimensions and weights in this catalogue are for guidance and cannot be held binding on the Company. Prices are effective as of 1st of June 2017 and are subject to change without notice.

How to use this catalogue

Welcome to the 2017/2018 edition of the Legrand Trade Catalogue. This catalogue provides an overview of the wide range of products we offer that are designed to support your business, and has been divided in sections for quick and easy navigation.

Table of contents



Provides an outline of contents in each section. The coloured bars correspond to the colour of each catalogue section for easy navigation.

Alphabetical index



Contains a list of alphabetically listed general descriptions to find products easily.

Alphanumeric index



Contains an alphanumeric list of catalogue numbers, page numbers and quantities. The indexes start with numeric catalogue numbers then proceed to catalogue numbers with letters.

Section index



Found at the beginning of each section to provide a breakdown of product categories with page numbers.

Technical references



Contains technical information, specifications and drawings on selected products.

How to use this catalogue

Content pages

Image with catalogue number for easy identification

Single product unit of measure

Trade price excluding GST (for unit of measure)

Product quantity per box

Product quantity per carton

Excel Life - dedicated plate series
Powerpoints

ED777USB2PSAWE ED777USB2PSXUG ED777AWE ED777EL30WE ED777AWE

| Cat.Nos | Horizontal powerpoints | UoM | Trade price \$ | GST \$ | Box qty | Carton qty |
|---------------------------|---|-----|----------------|--------|---------|------------|
| Double powerpoints | | | | | | |
| ED777AWE | Powerpoint 2 gang 10A 240V a.c. autoswitch white | EA | \$18.20 | \$1.82 | 10 | 120 |
| ED777AUG | Powerpoint 2 gang 10A 240V a.c. autoswitch urban grey | EA | \$21.20 | \$2.12 | 10 | 120 |
| ED777ABL | Powerpoint 2 gang 10A 240V a.c. autoswitch black | EA | \$18.20 | \$1.82 | 10 | 120 |
| ED777AESWE | Powerpoint 2 gang 10A 240V a.c. autoswitch with safety shutters white | EA | \$32.80 | \$3.28 | 10 | 120 |

Catalogue number Product description Information icons

Ordering multiple quantities

Our products can be ordered individually per unit of measure. To help you increase efficiency in stock handling and storage, our products can also be ordered as a box or carton.



Individual packaging
e.g. ED777



Box (inner packaging)
e.g. ED777 QTY10



Carton (outer packaging)
e.g. ED777 QTY120

Information icons

The following icons appear adjacent to the product descriptions to highlight information about a particular product.

- New product** Exciting new additions to our wide range of products
- Energy Saving products** The Legrand team has identified these products as possibly contributing to energy savings
- More info available** More information available in the Technical section
- Coming soon** Exciting new products that will be added to the range after this catalogue is printed
- Product to be discontinued** Advanced information that the product will be discontinued in the near future



MCBSs, RCCBs, RCBOs & DIN-RAIL EQUIPMENT

MCBs



P. 23
Single Pole
TX³ MCBs ≤ 63A
6kA prong and fork
type busbar

Main Switches



P. 24
Single Pole
Isolating Switches
63A & 100A

RCCBs



P. 25
2 Pole
TX³ RCCBs ≤ 80A
AC and A type prong
and fork type busbar

RCBOs



P. 26
Compact
RCBOs ≤ 32A
1P+N 6kA

Accessories



P. 28
Adaptors

Surface Mount Equipment



P. 29
DIN-rail
Mount Powerpoints

Voltage Surge Protectors and Control Devices



P. 30
Voltage
Surge Protectors

FEATURED PRODUCTS



TX³ MCBs ≤ 63A
6kA compatible with fork
and prong type busbars
(p. 49)



Single Module RCBO
(p. 52)



P. 23
2 Pole
TX³ MCBs ≤ 63A
6kA prong and fork
type busbar



P. 23
3 Pole
TX³ MCBs ≤ 63A
6kA prong and fork
type busbar



P. 24
2 Pole
Isolating Switches
63A to 125A



P. 24
3 Pole
Isolating Switches
63A to 125A



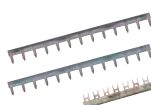
P. 25
4 Pole
TX³ RCCBs ≤ 80A
AC and A type prong
and fork type busbar



P. 26
DX³ Compact
RCB0s ≤ 45A
1P+N 10kA



P. 27
DX³ RCB0s ≤ 63A
10kA AC and A type
prong and fork type busbar



P. 28
Supply Busbars



P. 28
Locking Devices for
MCBs, RCCBs and RCB0s



P. 29
Plug-in MCBs



P. 29
Surface Mount
Main Switches



P. 31
CX³ Modular
Contactors



P. 31
Changeover
Switches



P. 32
Analogue
Time Switches



P. 32
Digital
Time Switches



Digital Time Switches
(p. 58)



Voltage Surge Protectors
(p. 56)

Circuit protection

Cross reference list old range (DX-E) Vs new ranges

MCB's

| | Nominal Rating (A) | DX-E Old Cat No. | TX ³ New Cat No. |
|-------------|--------------------|------------------|-----------------------------|
| Single Pole | 6 | 03382 | 403430 |
| | 10 | 03384 | 403432 |
| | 16 | 03386 | 403434 |
| | 20 | 03387 | 403435 |
| | 25 | 03388 | 403436 |
| | 32 | 03389 | 403437 |
| | 40 | 03390 | 403438 |
| | 50 | 03391 | 403439 |
| | 63 | 03392 | 403440 |
| 2 Pole | 6 | 03429 | 403524 |
| | 10 | 03431 | 403526 |
| | 16 | 03433 | 403528 |
| | 20 | 03434 | 403529 |
| | 25 | 03435 | 403530 |
| | 32 | 03436 | 403531 |
| | 40 | 03437 | 403532 |
| | 63 | 03439 | 403534 |
| 3 pole | 6 | 03447 | 403541 |
| | 10 | 03449 | 403543 |
| | 16 | 03451 | 403545 |
| | 20 | 03452 | 403546 |
| | 25 | 03453 | 403547 |
| | 32 | 03454 | 403548 |
| | 40 | 03455 | 403549 |
| | 63 | 03456 | 403550 |

Isolating switches

| | Nominal Rating (A) | DX-E Old Cat No. | DX ³ New Cat No. |
|-------------|--------------------|------------------|-----------------------------|
| Single Pole | 63 | 04310 | 406412 |
| | 100 | 04314 | 406423 |
| 2 Pole | 63 | 04330 | 406441 |
| | 100 | 04334 | 606449 |
| 3 pole | 63 | 04350 | 406461 |
| | 100 | 04354 | 406469 |

RCCB's

| | Nominal Rating (A) | Type | Sensitivity | DX-E Old Cat No. | TX ³ New Cat No. |
|--------|--------------------|---------|-------------|------------------|-----------------------------|
| 2 pole | 25 | Type AC | 30mA | 08909 | 411509 |
| | 40 | Type AC | 30mA | 08910 | 411510 |
| | 63 | Type AC | 30mA | 08911 | 411511 |
| | 80 | Type AC | 30mA | 08912 | 411512 |
| | 25 | Type A | 30mA | 09056 | 411559 |
| | 40 | Type A | 30mA | 09057 | 411560 |
| | 63 | Type A | 30mA | 09058 | 411561 |
| | 4 pole | 25 | Type AC | 30mA | 08993 |
| 40 | | Type AC | 30mA | 08994 | 411708 |
| 63 | | Type AC | 30mA | 08995 | 411709 |
| 80 | | Type AC | 30mA | 08996 | 411710 |

RCBO's

| | Nominal Rating (A) | Type | Sensitivity | DX-E Old Cat No. | DX ³ New Cat No. |
|--------|--------------------|---------|-------------|------------------|-----------------------------|
| 2 Pole | 6 | Type AC | 30mA | 7883 | 410999 |
| | 10 | Type AC | 30mA | 7884 | 411000 |
| | 16 | Type AC | 30mA | 7886 | 411002 |
| | 20 | Type AC | 30mA | 7887 | 411003 |
| | 25 | Type AC | 30mA | 7888 | 411004 |
| | 32 | Type AC | 30mA | 7889 | 411005 |
| | 40 | Type AC | 30mA | 7890 | 411006 |
| 2 Pole | 6 | Type A | 30mA | 8579 | 411047 |
| | 10 | Type A | 30mA | 8585 | 411048 |
| | 16 | Type A | 30mA | 8587 | 411050 |
| | 20 | Type A | 30mA | 8588 | 411051 |
| | 25 | Type A | 30mA | 8589 | 411052 |
| | 32 | Type A | 30mA | 8590 | 411053 |
| | 40 | Type A | 30mA | 8591 | 411054 |

Compact RCBO's (one module)

| | Nominal Rating (A) | Type | Sensitivity | DX-E Old Cat No. | DX ³ New Cat No. |
|--------|--------------------|--------|-------------|------------------|-----------------------------|
| 1 Pole | 6 | Type A | 30mA | 602780 | 411128 |
| | 10 | Type A | 30mA | 602782 | 411129 |
| | 16 | Type A | 30mA | 602783 | 411131 |
| | 20 | Type A | 30mA | 602784 | 411132 |
| | 25 | Type A | 30mA | 602785 | 411133 |
| | 32 | Type A | 30mA | 602786 | 411134 |



New product



Energy Saving products



More info available.
See technical pages



Coming soon



Product to be discontinued

DIN-rail equipment

MCBs



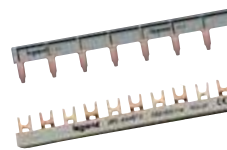
403434



403533



403549



| Cat.Nos | TX³ MCB 6kA C curve - prong type & fork type busbars AS/NZS 60898-1 | | UoM | Trade price \$ | GST \$ | Box qty | Carton qty |
|----------------------------------|---|--|-----|----------------|--------|---------|------------|
| Single pole 230/400V a.c. | | | | | | | |
| 403430 | 1P 6A 6kA 1 module | | EA | \$15.90 | \$1.59 | 10 | 100 |
| 403432 | 1P 10A 6kA 1 module | | EA | \$15.90 | \$1.59 | 10 | 100 |
| 403434 | 1P 16A 6kA 1 module | | EA | \$15.90 | \$1.59 | 10 | 100 |
| 403435 | 1P 20A 6kA 1 module | | EA | \$15.90 | \$1.59 | 10 | 100 |
| 403436 | 1P 25A 6kA 1 module | | EA | \$15.90 | \$1.59 | 10 | 100 |
| 403437 | 1P 32A 6kA 1 module | | EA | \$15.90 | \$1.59 | 10 | 100 |
| 403438 | 1P 40A 6kA 1 module | | EA | \$15.90 | \$1.59 | 10 | 100 |
| 403439 | 1P 50A 6kA 1 module | | EA | \$15.90 | \$1.59 | 10 | 100 |
| 403440 | 1P 63A 6kA 1 module | | EA | \$15.90 | \$1.59 | 10 | 100 |
| 2 pole 230/400V a.c. | | | | | | | |
| 403524 | 2P 6A 6kA 2 module | | EA | \$74.00 | \$7.40 | 5 | 50 |
| 403526 | 2P 10A 6kA 2 module | | EA | \$74.00 | \$7.40 | 5 | 50 |
| 403528 | 2P 16A 6kA 2 module | | EA | \$74.00 | \$7.40 | 5 | 50 |
| 403529 | 2P 20A 6kA 2 module | | EA | \$74.00 | \$7.40 | 5 | 50 |
| 403530 | 2P 25A 6kA 2 module | | EA | \$74.00 | \$7.40 | 5 | 50 |
| 403531 | 2P 32A 6kA 2 module | | EA | \$74.00 | \$7.40 | 5 | 50 |
| 403532 | 2P 40A 6kA 2 module | | EA | \$74.00 | \$7.40 | 5 | 50 |
| 403533 | 2P 50A 6kA 2 module | | EA | \$74.00 | \$7.40 | 5 | 50 |
| 403534 | 2P 63A 6kA 2 module | | EA | \$74.00 | \$7.40 | 5 | 50 |
| 3 pole 230/400V a.c. | | | | | | | |
| 403541 | 3P 6A 6kA 3 module | | EA | \$95.32 | \$9.53 | - | 20 |
| 403543 | 3P 10A 6kA 3 module | | EA | \$95.32 | \$9.53 | - | 20 |
| 403545 | 3P 16A 6kA 3 module | | EA | \$95.32 | \$9.53 | - | 20 |
| 403546 | 3P 20A 6kA 3 module | | EA | \$95.32 | \$9.53 | - | 20 |
| 403547 | 3P 25A 6kA 3 module | | EA | \$95.32 | \$9.53 | - | 20 |
| 403548 | 3P 32A 6kA 3 module | | EA | \$95.32 | \$9.53 | - | 20 |
| 403549 | 3P 40A 6kA 3 module | | EA | \$95.32 | \$9.53 | - | 20 |
| 403550 | 3P 50A 6kA 3 module | | EA | \$95.32 | \$9.53 | - | 20 |
| 403551 | 3P 63A 6kA 3 module | | EA | \$95.32 | \$9.53 | - | 20 |



New product



Energy Saving products

More info available.
See technical pages

Coming soon



Product to be discontinued

Whilst most items are stock lines some products are made to order. UoM = Unit Of Measure.
Prices are effective 1 June 2017 and are subject to change without notice. Trade prices exclude GST.

DIN-rail equipment

Isolating switches



406412



406449



406469

| Cat.Nos | Isolating switches AS/NZS 3947-3 | | UoM | Trade price \$ | GST \$ | Box qty | Carton qty |
|--------------------------------|----------------------------------|--|-----|----------------|---------|---------|------------|
| Single pole - 250V a.c. | | | | | | | |
| 406412 | 1P 63A 1 module | | EA | \$18.30 | \$1.83 | 10 | 100 |
| 406423 | 1P 100A 1 module | | EA | \$39.42 | \$3.94 | 10 | 100 |
| 2 pole - 400V a.c. | | | | | | | |
| 406432 | 2p 20A 1 module | | EA | \$39.89 | \$3.99 | 10 | 100 |
| 406441 | 2P 63A 2 module | | EA | \$69.51 | \$6.95 | 5 | 50 |
| 406449 | 2P 100A 2 module | | EA | \$105.54 | \$10.55 | 5 | 50 |
| 406450 | 2P 125A 2 module | | EA | \$126.00 | \$12.60 | 5 | 50 |
| 3 pole - 400V a.c. | | | | | | | |
| 406461 | 3P 63A 3 module | | EA | \$93.24 | \$9.32 | - | 36 |
| 406469 | 3P 100A 3 module | | EA | \$133.46 | \$13.35 | - | 36 |
| 406470 | 3P 125A 3 module | | EA | \$135.45 | \$13.54 | - | 36 |

DIN-rail equipment

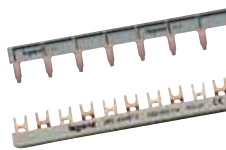
RCCBs



411510



411709



| Cat.Nos | TX³ RCCB 2P - prong type & fork type busbars - AS/NZS 61008-1 | | UoM | Trade price \$ | GST \$ | Box qty | Carton qty |
|---------|---|--|-----|----------------|---------|---------|------------|
| | AC type 30mA - 230V a.c. | | | | | | |
| 411509 | 2P 25A 30mA type AC 2 module | | EA | \$104.91 | \$10.49 | - | 24 |
| 411510 | 2P 40A 30mA type AC 2 module | | EA | \$117.98 | \$11.80 | - | 24 |
| 411511 | 2P 63A 30mA type AC 2 module | | EA | \$133.56 | \$13.36 | - | 24 |
| 411512 | 2P 80A 30mA type AC 2 module | | EA | \$162.98 | \$16.30 | - | 24 |
| | A type 30mA - 230V a.c. | | | | | | |
| 411559 | 2P 25A 30mA type A 2 module | | EA | \$173.23 | \$17.32 | - | 24 |
| 411560 | 2P 40A 30mA type A 2 module | | EA | \$173.23 | \$17.32 | - | 24 |
| 411561 | 2P 63A 30mA type A 2 module | | EA | \$213.74 | \$21.37 | - | 24 |
| 411562 | 2P 80A 30mA type A 2 module | | EA | \$213.75 | \$21.38 | - | 24 |
| | TX³ 4P - RCCB prong-type & fork-type busbars - AS/NZS 61008-1 | | | | | | |
| | AC type 30mA - 400V a.c. | | | | | | |
| 411707 | 4P 25A 30mA type AC 4 module | | EA | \$117.66 | \$11.77 | - | 12 |
| 411708 | 4P 40A 30mA type AC 4 module | | EA | \$128.05 | \$12.80 | - | 12 |
| 411709 | 4P 63A 30mA type AC 4 module | | EA | \$171.40 | \$17.14 | - | 12 |
| 411710 | 4P 80A 30mA type AC 4 module | | EA | \$179.85 | \$17.98 | - | 12 |
| | A type 30mA - 400V a.c. | | | | | | |
| 411764 | 4P 25A 30mA type A 4 module | | EA | \$193.42 | \$19.34 | - | 12 |
| 411765 | 4P 40A 30mA type A 4 module | | EA | \$193.42 | \$19.34 | - | 12 |
| 411766 | 4P 63A 30mA type A 4 module | | EA | \$273.04 | \$27.30 | - | 12 |
| 411767 | 4P 80A 30mA type A 4 module | | EA | \$273.06 | \$27.31 | - | 12 |



New product



Energy Saving products



More info available. See technical pages



Coming soon



Product to be discontinued

Whilst most items are stock lines some products are made to order. UoM = Unit Of Measure. Prices are effective 1 June 2017 and are subject to change without notice. Trade prices exclude GST.

DIN-rail equipment

Compact RCBOs



411131



602786



606410



606415

| Cat.Nos | DX³ compact RCBO 1P+N 6kA-AS/NZ 61009-1 | | UoM | Trade price \$ | GST \$ | Box qty | Carton qty |
|---|---|--|-----|----------------|---------|---------|------------|
| A type 30mA - 230V a.c - neutral disconnection | | | | | | | |
| 411128 | 1P+N 6A 30mA type A 1 module | | EA | \$82.08 | \$8.21 | - | - |
| 411129 | 1P+N 10A 30mA type A 1 module | | EA | \$82.08 | \$8.21 | - | - |
| 411131 | 1P+N 16A 30mA type A 1 module | | EA | \$82.08 | \$8.21 | - | - |
| 411132 | 1P+N 20A 30mA type A 1 module | | EA | \$82.08 | \$8.21 | - | - |
| 411133 | 1P+N 25A 30mA type A 1 module | | EA | \$82.08 | \$8.21 | - | - |
| 411134 | 1P+N 32A 30mA type A 1 module | | EA | \$82.08 | \$8.21 | - | - |
| A type 10mA - 230V a.c - neutral disconnection | | | | | | | |
| 411121 | 1P+N 6A 10mA type A 1 module | | EA | \$102.50 | \$10.25 | - | - |
| 411122 | 1P+N 10A 10mA type A 1 module | | EA | \$102.50 | \$10.25 | - | - |
| 411124 | 1P+N 16A 10mA type A 1 module | | EA | \$102.50 | \$10.25 | - | - |
| 411125 | 1P+N 20A 10mA type A 1 module | | EA | \$102.50 | \$10.25 | - | - |
| 411126 | 1P+N 25A 10mA type A 1 module | | EA | \$102.50 | \$10.25 | - | - |
| 411127 | 1P+N 32A 10mA type A 1 module | | EA | \$102.50 | \$10.25 | - | - |
| Compact RCBOs 1P+N 6kA - AS/NZ 61009-1 | | | | | | | |
| A type 30mA - 230V a.c. | | | | | | | |
| 602780 | 1P+N 6A 30mA type A 1 module | | EA | \$82.08 | \$8.21 | - | - |
| 602782 | 1P+N 10A 30mA type A 1 module | | EA | \$82.08 | \$8.21 | - | - |
| 602783 | 1P+N 16A 30mA type A 1 module | | EA | \$82.08 | \$8.21 | - | - |
| 602784 | 1P+N 20A 30mA type A 1 module | | EA | \$82.08 | \$8.21 | - | - |
| 602785 | 1P+N 25A 30mA type A 1 module | | EA | \$82.08 | \$8.21 | - | - |
| 602786 | 1P+N 32A 30mA type A 1 module | | EA | \$82.08 | \$8.21 | - | - |
| DX³ compact RCBOs 1P+N 10kA - AS/NZ 61009-1 | | | | | | | |
| AC type 30mA - 230V a.c. with neutral lead | | | | | | | |
| 606410 | 1P+N 10A 30mA type AC 1 module | | EA | \$380.40 | \$38.04 | - | 15 |
| 606411 | 1P+N 16A 30mA type AC 1 module | | EA | \$380.40 | \$38.04 | - | 15 |
| 606412 | 1P+N 20A 30mA type AC 1 module | | EA | \$380.40 | \$38.04 | - | 15 |
| 606413 | 1P+N 25A 30mA type AC 1 module | | EA | \$380.40 | \$38.04 | - | 15 |
| 606414 | 1P+N 32A 30mA type AC 1 module | | EA | \$380.40 | \$38.04 | - | 15 |
| 606415 | 1P+N 45A 30mA type AC 1 module | | EA | \$380.40 | \$38.04 | - | 15 |



New product



Energy Saving products



More info available. See technical pages



Coming soon



Product to be discontinued

DIN-rail equipment

RCBOs



411002



411050



411053



411189

| Cat.Nos | DX³ RCBO 2P 10kA - AS/NZ 61009-1 | | UoM | Trade price \$ | GST \$ | Box qty | Carton qty |
|--|--|--|-----|----------------|---------|---------|------------|
| AC Type 30mA 230V a.c. - neutral on right hand side | | | | | | | |
| 410999 | 1P+N 6A 30mA type AC 2 module | | EA | \$149.14 | \$14.91 | - | 24 |
| 411000 | 1P+N 10A 30mA type AC 2 module | | EA | \$139.54 | \$13.95 | - | 24 |
| 411002 | 1P+N 16A 30mA type AC 2 module | | EA | \$139.54 | \$13.95 | - | 24 |
| 411003 | 1P+N 20A 30mA type AC 2 module | | EA | \$139.54 | \$13.95 | - | 24 |
| 411004 | 1P+N 25A 30mA type AC 2 module | | EA | \$139.54 | \$13.95 | - | 24 |
| 411005 | 1P+N 32A 30mA type AC 2 module | | EA | \$141.94 | \$14.19 | - | 24 |
| 411006 | 1P+N 40A 30mA type AC 2 module | | EA | \$144.06 | \$14.41 | - | 24 |
| A Type 30mA 230V a.c. - neutral on right hand side | | | | | | | |
| 411047 | 1P+N 6A 30mA type A 2 module | | EA | \$233.77 | \$23.38 | - | 24 |
| 411048 | 1P+N 10A 30mA type A 2 module | | EA | \$233.77 | \$23.38 | - | 24 |
| 411050 | 1P+N 16A 30mA type A 2 module | | EA | \$233.77 | \$23.38 | - | 24 |
| 411051 | 1P+N 20A 30mA type A 2 module | | EA | \$233.77 | \$23.38 | - | 24 |
| 411052 | 1P+N 25A 30mA type A 2 module | | EA | \$233.77 | \$23.38 | - | 24 |
| 411053 | 1P+N 32A 30mA type A 2 module | | EA | \$233.77 | \$23.38 | - | 24 |
| 411054 | 1P+N 40A 30mA type A 2 module | | EA | \$233.77 | \$23.38 | - | 24 |
| DX³ RCBO 4P 10kA - AS/NZ 61009-1 | | | | | | | |
| AC Type 30mA 400V a.c. - neutral on right hand side | | | | | | | |
| 411185 | 4P 10A 30mA type AC 4 module | | EA | \$373.73 | \$37.37 | - | 12 |
| 411186 | 4P 16A 30mA type AC 4 module | | EA | \$373.73 | \$37.37 | - | 12 |
| 411187 | 4P 20A 30mA type AC 4 module | | EA | \$373.73 | \$37.37 | - | 12 |
| 411188 | 4P 25A 30mA type AC 4 module | | EA | \$373.73 | \$37.37 | - | 12 |
| 411189 | 4P 32A 30mA type AC 4 module | | EA | \$373.73 | \$37.37 | - | 12 |
| 411190 | 4P 40A 30mA type AC 7 module | | EA | \$373.73 | \$37.37 | - | 12 |
| 411191 | 4P 50A 30mA type AC 7 module | | EA | \$392.73 | \$39.27 | - | 12 |
| 411192 | 4P 63A 30mA type AC 7 module | | EA | \$392.73 | \$39.27 | - | 12 |
| A Type 30mA 400Va.c - neutral on right hand side | | | | | | | |
| 411233 | 4P 10A 30mA type A 4 module | | EA | \$462.42 | \$46.24 | - | 12 |
| 411234 | 4P 16A 30mA type A 4 module | | EA | \$462.42 | \$46.24 | - | 12 |
| 411235 | 4P 20A 30mA type A 4 module | | EA | \$462.42 | \$46.24 | - | 12 |
| 411236 | 4P 25A 30mA type A 4 module | | EA | \$462.42 | \$46.24 | - | 12 |
| 411237 | 4P 32A 30mA type A 4 module | | EA | \$462.42 | \$46.24 | - | 12 |



New product



Energy Saving products

More info available.
See technical pages

Coming soon



Product to be discontinued

Whilst most items are stock lines some products are made to order. UoM = Unit Of Measure.
Prices are effective 1 June 2017 and are subject to change without notice. Trade prices exclude GST.

Connection accessories

Supply busbars and accessories



404905



404917



404926



MCBLOCK

| Cat.Nos | | UoM | Trade price \$ | GST \$ | Box qty | Carton qty |
|---|--|-----|----------------|---------|---------|------------|
| Entry terminal adaptors | | | | | | |
| 404905 | Entry terminals for 1P or P+N busbars cross-section 4-25mm ² IP2X | EA | \$17.65 | \$1.76 | 20 | 400 |
| 404906 | Entry terminals for all phase busbars cross-section 6-35mm ² IP2X | EA | \$8.74 | \$0.87 | 20 | 400 |
| Fork type supply busbars | | | | | | |
| 404911 | Busbar 1P for 12 devices 210mm(L) fork-type | EA | \$15.03 | \$1.50 | 20 | 200 |
| 404912 | Busbar 1P for 57 devices 1m(L) fork-type | EA | \$51.59 | \$5.16 | - | 10 |
| 404914 | Busbar 2P for 28 devices 1m(L) fork-type | EA | \$156.09 | \$15.61 | - | 10 |
| 404917 | Busbar 3P for 4 devices fork-type | EA | \$10.64 | \$1.06 | 5 | 50 |
| Prong type supply busbars | | | | | | |
| 404926 | Busbar 1P for 13 devices 227mm(L) 80A pin-type | EA | \$10.64 | \$1.06 | 20 | 200 |
| 404937 | Busbar 1P for 57 devices 1m(L) 80A pin-type | EA | \$81.18 | \$8.12 | - | 10 |
| 404938 | Busbar 2P for 6 devices 210mm(L) 63A | EA | \$27.65 | \$2.76 | - | 50 |
| 404939 | Busbar 2P for 28 devices 1m(L) 80A pin-type | EA | \$138.30 | \$13.83 | - | 10 |
| 404940 | Busbar 2P balanced on 3P for 6 devices 210mm(L) 63A with end protection | EA | \$68.59 | \$6.86 | 3 | 30 |
| 404941 | Busbar 2P balanced on 3P for 28 devices 1m(L) 80A with end protection | EA | \$302.63 | \$30.26 | - | 10 |
| 404942 | Busbar 3P for 4 devices 210mm(L) 63A pin-type | EA | \$31.29 | \$3.13 | - | 40 |
| 404943 | Busbar 3P for 19 devices 1m(L) 80A pin-type | EA | \$179.60 | \$17.96 | - | 10 |
| 404944 | Busbar 4P for 3 devices 210mm(L) 63A | EA | \$63.33 | \$6.33 | - | 30 |
| 404945 | Busbar 4P for 14 devices 1m(L) 80A | EA | \$262.03 | \$26.20 | - | 10 |
| Protection accessories | | | | | | |
| 404988 | Insulation for phase busbars 12 modules long | EA | \$3.38 | \$0.34 | 20 | 200 |
| 404989 | End cap insulation for 1P or P+N busbars | EA | \$1.09 | \$0.11 | 40 | 2000 |
| 404990 | End cap insulation for 2P 1m long and 3P busbars | EA | \$2.37 | \$0.24 | 20 | 840 |
| 404991 | End cap insulation for 4P busbars | EA | \$2.37 | \$0.24 | 20 | 840 |
| Circuit breakers lock - TOGGLOCK | | | | | | |
| MCBLOCK | Locking device for MCBs, RCCBs and RCBOs | EA | \$54.38 | \$5.44 | 5 | 60 |
| HMCBL | Label for MCBs, RCCBs and RCBOs (black on white background) | EA | \$3.15 | \$0.32 | - | 450 |



New product



Energy Saving products

More info available.
See technical pages

Coming soon



Product to be discontinued

Plug-in MCBs and main switches for surface mounting

DIN powerpoints, plug-in MCBs and main switches



787DIN



F380



B135



CDCB108



CDCB116

| Cat.Nos | Powerpoints | UoM | Trade price \$ | GST \$ | Box qty | Carton qty |
|---|---|-----|----------------|---------|---------|------------|
| Standard range powerpoints - 240V a.c. | | | | | | |
| 787DIN | Single socket DIN mount 10A 240V a.c. white | EA | \$33.48 | \$3.35 | 10 | 200 |
| 787DIN15 | Single socket DIN mount 15A 240V a.c. white | EA | \$46.24 | \$4.62 | 10 | - |
| Plug in MCB 240V a.c. | | | | | | |
| CDCB108 | 1P 8A 6kA 1 module | EA | \$32.54 | \$3.25 | 5 | 60 |
| CDCB116 | 1P 16A 6kA 1 module | EA | \$32.54 | \$3.25 | 5 | 60 |
| CDCB120 | 1P 20A 6kA 1 module | EA | \$32.54 | \$3.25 | 5 | 60 |
| CDCB132 | 1P 32A 6kA 1 module | EA | \$32.54 | \$3.25 | 5 | 60 |
| Main switches - front wired | | | | | | |
| Single pole - 240V a.c. | | | | | | |
| F180 | Surface mount 1P 80A front entry | EA | \$56.04 | \$5.60 | 10 | 12 |
| 3 pole - 415V a.c. | | | | | | |
| F380 | Surface mount 3P 80A front entry | EA | \$218.14 | \$21.81 | 5 | 12 |
| Main switches - back wired | | | | | | |
| Single pole - 240V a.c. | | | | | | |
| B135 | Surface mount 1P 35A back entry white | EA | \$35.76 | \$3.58 | 10 | 12 |
| B165 | Surface mount 3P 65A back entry white | EA | \$52.81 | \$5.28 | 10 | 12 |
| B180 | Surface mount 1P 80A back entry white | EA | \$56.04 | \$5.60 | 10 | 12 |
| 2 pole - 415V a.c. | | | | | | |
| B280 | Surface mount 2P 80A back entry white | EA | \$175.99 | \$17.60 | 5 | 12 |
| B335 | Surface mount 3P 35A back entry white | EA | \$116.35 | \$11.64 | 5 | 12 |
| 3 pole - 415V a.c. | | | | | | |
| B365 | Surface mount 3P 65A back entry white | EA | \$199.13 | \$19.91 | 5 | 12 |
| B380 | Surface mount 3P 80A back entry white | EA | \$214.08 | \$21.41 | 5 | 12 |

Voltage surge protectors

Low voltage surge protector devices



412230



412275



412303



03934

| Cat.Nos | | UoM | Trade price \$ | GST \$ | Box qty | Carton qty |
|---|--|-----|----------------|---------|---------|------------|
| Protection of main distribution boards | | | | | | |
| T1+T2 - I_{max}: 60kA/pole Up: 1.5kv Uc: 320V a.c. | | | | | | |
| 412270 | 1P without remote status monitoring - 1 module | EA | \$255.78 | \$25.58 | - | 24 |
| 412272 | 3P with remote status monitoring - 3 module | EA | \$583.74 | \$58.37 | - | 20 |
| 412274 | 1P+N with remote status monitoring - 2 module | EA | \$369.71 | \$36.97 | - | 20 |
| 412275 | 3P+N with remote status monitoring - 4 module | EA | \$696.79 | \$69.68 | - | 15 |
| Protection of sub distribution boards | | | | | | |
| T2 - I_{max}: 40kA/pole Up:2.1kv Uc: 440V a.c. | | | | | | |
| 412230 | 1P without remote status monitoring - 1 module | EA | \$188.67 | \$18.87 | - | 24 |
| 412232 | 3P with remote status monitoring - 3 module | EA | \$311.91 | \$31.19 | - | 20 |
| 412233 | 4P with remote status monitoring - 4 module | EA | \$568.89 | \$56.89 | - | 15 |
| T2 - I_{max}: 20kA/pole Up:2.1kv Uc: 440V a.c. | | | | | | |
| 412220 | 1P without remote status monitoring - 1 module | EA | \$125.13 | \$12.51 | - | 24 |
| 412224 | 1P+N without remote status monitoring - 2 module | EA | \$228.03 | \$22.80 | - | 20 |
| 412225 | 3P+N without remote status monitoring - 4 module | EA | \$500.59 | \$50.06 | - | 15 |
| Replacement plug-in modules | | | | | | |
| Replacement plug-in modules for SPDs T1+T2 and T2 | | | | | | |
| 412303 | For cat. nos 412270/72/74/75 | EA | \$30.02 | \$3.00 | - | 24 |
| 412301 | For cat. nos 412230/32/33 | EA | \$17.96 | \$1.80 | - | 24 |
| 412297 | For cat. nos 412220/24/25 | EA | \$11.96 | \$1.20 | - | 24 |
| 412398 | N-PE modules for cat. nos 412224/25/26/27 | EA | \$33.75 | \$3.38 | - | 24 |
| Replacement plug-in modules for old SPDs | | | | | | |
| 03928 | For cat nos 039 20/21/22/23 | EA | \$235.62 | \$23.56 | 5 | 20 |
| 03934 | For cat nos 039 30/31/32/33 | EA | \$107.69 | \$10.77 | 5 | 20 |
| 03944 | For cat nos 039 40/41/43 | EA | \$100.12 | \$10.01 | 5 | 20 |

*All SPDs must be protected by MCBs or any other protection device (refer to technical page 312). For proximity surge protection refer to technical page 312.



New product



Energy Saving products

More info available.
See technical pages

Coming soon



Product to be discontinued

Control devices

CX³ modular contactors and changeover switch



412544



412545



412556



412900

| Cat.Nos | CX³ modular contactors | UoM | Trade price \$ | GST \$ | Box qty | Carton qty |
|---|--|-----|----------------|---------|---------|------------|
| 1NO+1NC - 250V a.c. | | | | | | |
| 412521 | 1P 16A 1NO+1NC 230V a.c. coil low noise without handle 1 module | EA | \$76.01 | \$7.60 | 4 | 48 |
| 2NO+2NC - 400V a.c. | | | | | | |
| 412533 | 4P 25A 2NO+2NC 230V a.c. coil without handle 2 module | EA | \$143.48 | \$14.35 | - | 24 |
| 2NO - 250V a.c. | | | | | | |
| 412516 | 2P 63A 2NO 230V a.c. coil with handle 2 module | EA | \$157.89 | \$15.79 | - | 24 |
| 412523 | 2P 25A 2NO 230V a.c. coil without handle 1 module | EA | \$69.68 | \$6.97 | - | 24 |
| 412527 | 2P 63A 2NO 230V a.c. coil without handle 2 module | EA | \$158.35 | \$15.84 | - | 24 |
| 412544 | 2P 25A 2NO 230V a.c. coil with handle 1 module | EA | \$63.36 | \$6.34 | - | 24 |
| 412545 | 2P 40A 2NO 230V a.c. coil with handle 2 module | EA | \$151.37 | \$15.14 | - | 24 |
| 412547 | 2P 63A 2NO 230V a.c. coil with handle 2 module | EA | \$157.89 | \$15.79 | - | 24 |
| 412558 | 2P 25A 2NO 230V a.c. coil low noise with handle 1 module | EA | \$69.68 | \$6.97 | - | 24 |
| 2NC - 250V a.c. | | | | | | |
| 412524 | 2P 25A 2NC 230V a.c. coil without handle 2 module | EA | \$87.41 | \$8.74 | - | 42 |
| 412548 | 2P 63A 2NC 230V a.c. coil with handle 2 module | EA | \$157.89 | \$15.79 | - | 42 |
| 3NO - 400V a.c. | | | | | | |
| 412549 | 3P 40A 3NO 230V a.c. coil with handle 3 module | EA | \$173.29 | \$17.33 | - | 20 |
| 412550 | 3P 63A 3NO 230V a.c. coil with handle 3 module | EA | \$181.00 | \$18.10 | - | 20 |
| 4NO - 400V a.c. | | | | | | |
| 412561 | 4P 25A 4NO 230V a.c. coil low noise with handle 1 module | EA | \$130.48 | \$13.05 | - | 24 |
| 412535 | 4P 25A 4NO 230V a.c. coil without handle 2 module | EA | \$107.69 | \$10.77 | - | 24 |
| 412551 | 4P 25A 4NO 230V a.c. coil with handle 2 module | EA | \$107.69 | \$10.77 | - | 24 |
| 412553 | 4P 40A 4NO 230V a.c. coil with handle 3 module | EA | \$184.85 | \$18.48 | - | 24 |
| 412556 | 4P 63A 4NO 230V a.c. coil with handle 3 module | EA | \$188.67 | \$18.87 | - | 24 |
| 4NC - 400V a.c. | | | | | | |
| 412536 | 4P 25A 4NC 230V a.c. coil without handle 2 module | EA | \$130.32 | \$13.03 | - | 24 |
| 412557 | 4P 63A 4NC 230V a.c. coil with handle 3 module | EA | \$188.67 | \$18.87 | - | 24 |
| CX³ Changeover switch - 32A | | | | | | |
| 412900 | Two-way 250V a.c. 32A (resistive load) 1 module | EA | \$40.99 | \$4.10 | 10 | 100 |
| 412902 | Two-way with centre point 250V a.c. 32A (resistive load) 1 module | EA | \$30.60 | \$3.06 | 10 | 100 |
| 412903 | Double two-way with centre point 400V a.c. 32A (resistive load) 2 module | EA | \$65.44 | \$6.54 | 5 | 50 |



New product



Energy Saving products

More info available.
See technical pages

Coming soon



Product to be discontinued

Whilst most items are stock lines some products are made to order. UoM = Unit Of Measure.
Prices are effective 1 June 2017 and are subject to change without notice. Trade prices exclude GST.

Control devices

Programmable time switches



649917



412795



04764



03705



412631

| Cat.Nos | | | UoM | Trade price \$ | GST \$ | Box qty | Carton qty |
|------------------------------------|---|--|-----|----------------|---------|---------|------------|
| Analogue time switches | | | | | | | |
| 24 hour program | | | | | | | |
| 49983 | 1 channel panel mount - no working reserve 15mn switch time 72x72mm | | EA | \$119.81 | \$11.98 | - | 30 |
| 649917 | 20A - no working reserve 4 time switch - 4TB with IP53 enclosure | | EA | \$168.14 | \$16.81 | - | 10 |
| 649914 | 20A - with 500 hours working reserve 4 time switch - 4QTB with IP53 enclosure | | EA | \$224.19 | \$22.42 | - | 10 |
| 49754 | 1 channel 5min ± /day with 100 hours working reserve | | EA | \$200.24 | \$20.02 | - | 30 |
| Daily program | | | | | | | |
| 412780 | Vertical 1 channel 5mn ±/day min. 15mn switch time 16A 1 mod | | EA | \$115.83 | \$11.58 | - | 100 |
| 412790 | Vertical 1 channel 100hr reserve 5mn ±/day min. 15mn switch time 16A 1 mod | | EA | \$170.13 | \$17.01 | - | 100 |
| 412812 | Horizontal 1 channel 5mn ±/day min. 15mn switch time 16A 3 mod | | EA | \$137.79 | \$13.78 | - | 30 |
| 412813 | Horizontal 1 channel 100hr reserve 5mn ±/day min. 15mn switch time 16A 3 mod | | EA | \$202.04 | \$20.20 | - | 30 |
| Weekly program | | | | | | | |
| 412794 | Vertical 1 channel 100hr reserve 30mn ±/day min. 2hr switch time 16A 1 mod | | EA | \$164.70 | \$16.47 | - | 100 |
| 412795 | Horizontal 1 channel 100hr reserve 30mn ±/day min. 2hr switch time 16A 3 mod | | EA | \$164.58 | \$16.46 | - | 30 |
| Digital time switches | | | | | | | |
| Daily/weekly program | | | | | | | |
| 03705 | 1 channel 240V a.c. 6yr reserve 16A 1 module | | EA | \$205.59 | \$20.56 | - | 30 |
| 603770 | 1 channel 240V a.c. 3yr reserve 16A 2 module | | EA | \$226.35 | \$22.64 | - | 30 |
| 603771 | 2 channels 240V a.c. 3yr reserve 16A 2 module | | EA | \$259.26 | \$25.93 | - | 30 |
| Multifunction time switches | | | | | | | |
| Daily/weekly program | | | | | | | |
| 412631 | 1 channel 250V a.c. 6yr reserve 16A multifunction 2 module | | EA | \$225.83 | \$22.58 | - | 30 |
| 412641 | 2 channels 250V a.c. 6yr reserve 16A multifunction 2 module | | EA | \$279.42 | \$27.94 | - | 30 |
| 412872 | Programming transfer key (for Cat. Nos 412631/41) | | EA | \$34.45 | \$3.44 | 10 | 100 |
| Annual program | | | | | | | |
| 412630 | 2 channels 230V a.c. 5yr reserve multifunction 28 programme 2 module | | EA | \$765.54 | \$76.55 | - | 30 |
| 04770 | 4 channels 230V a.c. 5yr reserve multifunction 28 programme 6 module | | EA | \$869.19 | \$86.92 | 12 | 120 |
| Astronomical time switches | | | | | | | |
| For outdoor illuminations | | | | | | | |
| 412654 | 1 channel 250V a.c. 16A 28 programme 2 module | | EA | \$306.21 | \$30.62 | - | 30 |
| 412657 | 2 channel 250V a.c. 16A 2x14 programme 2 module | | EA | \$321.52 | \$32.15 | - | 30 |



New product



Energy Saving products

More info available.
See technical pages

Coming soon



Product to be discontinued

TX³ range (MCBs & RCCBs)

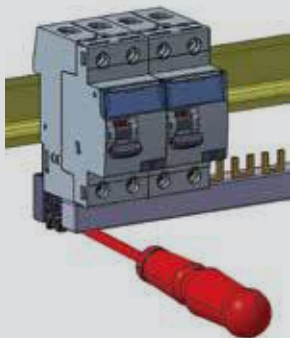
Supply busbar

Independent unclipping

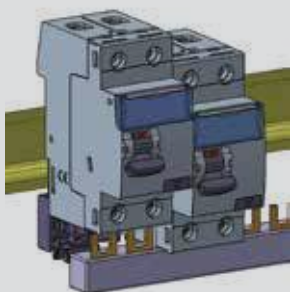
Preparation - connection

An MCB/RCCB may be replaced in the middle of a row supplied with busbars without disconnecting the other products.

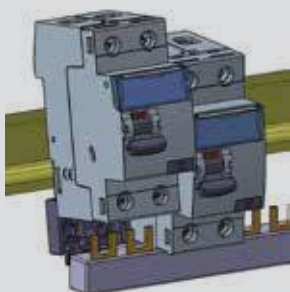
1. Unscrew the terminals completely



2. Put the clamp in the unlocking position with a screwdriver



3. Pull the device upward



4. Pull the device downward in order to release it completely from the prongs of the busbar. Then pull the device forward

Technical characteristics - supply busbar

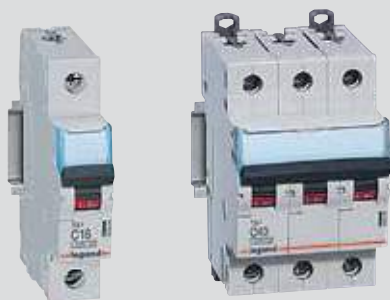
| | Busbars types | Max number of devices connected | Length in number of 17.5mm modules | Cross section (mm ²) | Permissible current: | |
|--------------------------------------|---------------|---------------------------------|------------------------------------|----------------------------------|------------------------------|----------------------|
| | | | | | 1 central power supply point | 2 power supply point |
| Single pole or Single pole + neutral | 1 row | 13 | 13 | 16 | 80 | 100 |
| | Meter | 57 | 57 | | | |
| Double pole | 1 row | 6 | 12 | 10 | 63 | 90 |
| | Meter | 28 | 56 | 16 | 80 | 100 |
| Double pole balanced on 3 phases | 1 row | 6 | 12 | 10 | 63 | 90 |
| | Meter | 28 | 56 | 16 | 80 | 100 |
| Triple pole | 1 row | 4 | 12 | 10 | 63 | 90 |
| | Meter | 19 | 57 | 16 | 80 | 100 |
| Four pole | 1 row | 3 | 12 | 10 | 63 | 90 |
| | Meter | 14 | 56 | 16 | 80 | 100 |

Connection

- Terminals protected against direct finger contact (IP20), wired device
- Cage terminals, with disengageable or captive screws
- Terminals fitted with flaps preventing a cable being placed under the terminal, with the terminal partly open or closed
- Alignment and spacing of the terminals permitting connection with the other products in the range via fork supply busbars

TX³ MCB 6kA up to 63A

Cat no. 403430, 403432, 403434, 403435, 403436, 403437, 403438, 403439, 403440, 403524, 403526, 403528, 403529, 403530, 403531, 403532, 403533, 403534, 403541, 403543, 403545, 403546, 403547, 403548, 403549, 403550, 403551



403434

403549

Range

Polarity:

1P / 2P / 3P

Width:

1 module per pole. Each pole is 17.8mm

Rated currents, In:

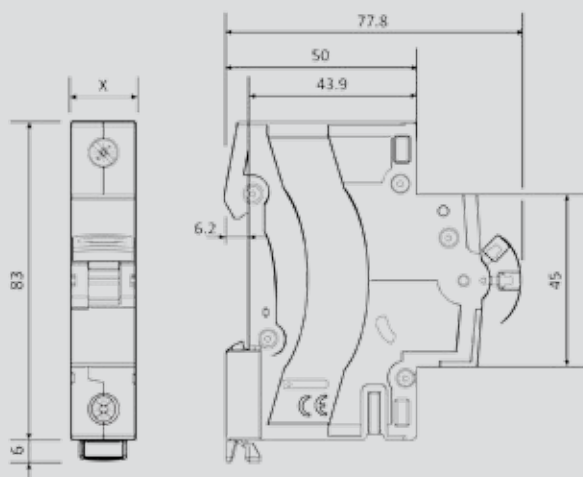
6 / 10 / 16 / 20 / 25 / 32 / 40 / 50 / 63A

Magnetic tripping curves:

C Curve (between 5 and 10 In)

Limitation class: 3

Overall dimensions TX³ 6kA



| | X |
|----|--------|
| 1P | 17.7mm |
| 2P | 35.4mm |
| 3P | 53.1mm |

Preparation - connection

Terminal depth:

14mm

Stripping length recommended:

11mm

Screw head:

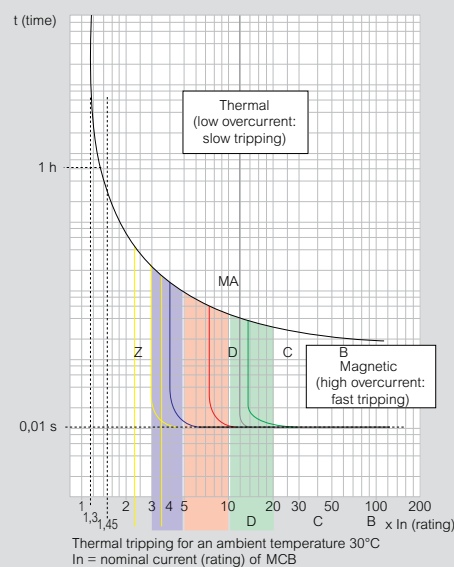
Mixed, slotted and Pozidriv 2.

Connectable section:

6kA

| | | Cables | |
|------------------|----------------|---|---|
| | | Without ferrule | With ferrule |
| In≤25A | Rigid cable | 1 x 1.5mm ² to 25mm ² | - |
| | Flexible cable | 1 x 1.5mm ² to 16mm ² | 1 x 1.5mm ² to 16mm ² |
| In≤32A up to 63A | Rigid cable | 1 x 1.5mm ² to 35mm ² | - |
| | Flexible cable | 1 x 1.5mm ² to 25mm ² | 1 x 1.5mm ² to 25mm ² |

MCB tripping curves



| Curves | Magnetic threshold settings |
|-------------------|--|
| Z ⁽¹⁾ | 2.4 to 3.6In |
| B ⁽¹⁾ | 3 to 5In |
| C | 5 to 10In |
| D ⁽¹⁾ | 10 to 14In (10 to 20 acc. to the stds) |
| MA ⁽¹⁾ | 12 to 14In |

1: On request

Isolating switch DX³-IS 1 module per pole up to 125A

Cat no. 406412, 406423, 406441, 406449, 406450, 406461, 406469, 406470



Description - use

Isolating switch ensuring the breaking and the isolation of electrical circuits.
Fully visible breaking indication.

Range

Polarity and symbols:

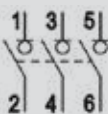
1 pole 250V a.c.
63A
100A



2 poles 400V a.c.
63A
100A
125A

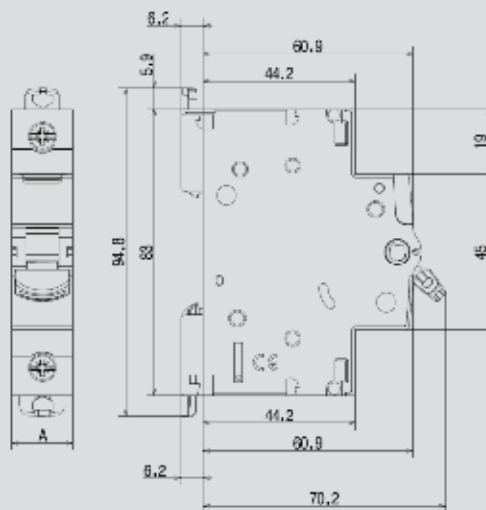


3 poles 400V a.c.
63A
100A
125A



Dimensions

Rated current 63 - 125A



| | 1 pole | 2 poles | 3 poles |
|---|--------|---------|---------|
| A | 17.7 | 35.4 | 53.1 |

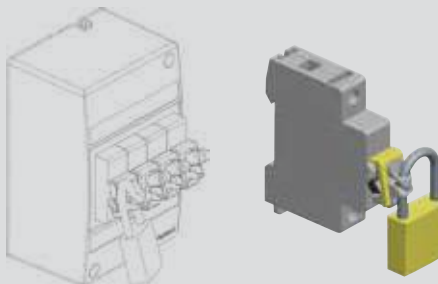
Preparation - connection

Power supply

Either from the top or the bottom

Locking possibility

Using MCBLOCK accessory



Rated operational voltage

1 pole:
U_e = 250V a.c.

2 poles and 3 poles
U_e = 400V a.c.

Rated frequency

50/60Hz with standard tolerances

Utilisation category

AC22: Mixed load
A: Frequent operations

TX³ RCCBs 2P up to 80A

Cat no. 411509, 411510, 411511, 411512, 411559, 411560, 411561, 411562



411510

Description - use

RCCBs with positive contact indication for control, protection and isolation of electrical circuits, protecting people from direct and indirect contact and protecting installations from insulation faults.

Range

Polarity:

2 pole

Width:

2 modules (2 x 17.8mm)

Nominal rating In:

16 / 25 / 40 / 63 / 80A

Residual current types:

- AC (sinusoidal differential alternating currents)
- A (residual currents with a DC component)

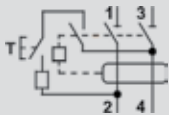
Sensitivity:

30mA

Nominal voltage and frequency:

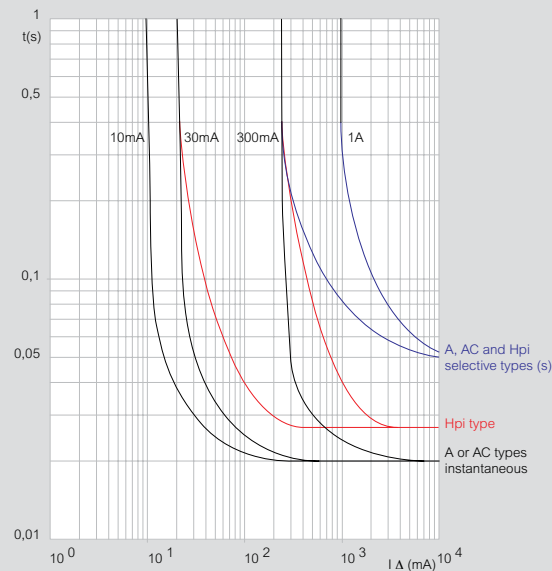
230V a.c. / 240V a.c. 50Hz with standard tolerances

General characteristics

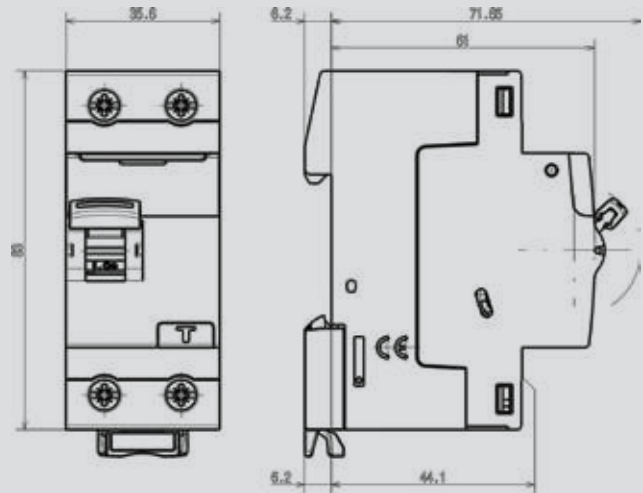


Performance of RCCBs

Average residual current performance curves



Overall dimensions



Preparation - connection

Power supply (line side):

From the top or the bottom

Connection:

Inputs and outputs via screw terminals
Neutral on right or left side

Terminal arrangement:

- Cage terminals, with disengageable and captive screws
- Terminals protected against direct finger contact IP20, wired device

Connection:

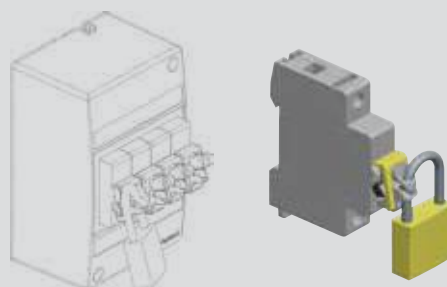
- Terminals protected against direct finger contact IP20, wired device
- Cage terminals, with disengageable or captive screws
- Terminals fitted with flaps preventing a cable being placed under the terminal, with the terminal partly open or closed
- Alignment and spacing of the terminals permitting connection with the other products in the range via fork supply busbars

Cables cross-section:

| | Without ferrule | With ferrule |
|-----------------------|--|-------------------------------|
| Rigid cable | 1 x 0.75 to 50mm ² or 2 x 0.75 to 16mm ² | - |
| Flexible cable | 1 x 0.75 to 35mm ² or 2 x 0.75 to 16mm ² | 1 x 0.75 to 25mm ² |

Locking possibility:

Using MCBLOCK accessory



TX³ RCCBs 4P (N on right-hand side) up to 80A

Cat no. 411707, 411708, 411709, 411710, 411764, 411765, 411766, 411767



411709

Description - use

RCCBs with positive contact indication for control, protection and isolation of electrical circuits, protecting people from direct and indirect contact and protecting installations from insulation faults.

Range

Polarity:

4 pole

Width:

4 modules (4 x 17.8mm)

Nominal rating In:

25 / 40 / 63 / 80A

Residual current types:

- AC (sinusoidal differential alternating currents)
- A (residual currents with a DC component)

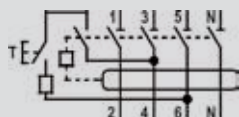
Sensitivity:

30mA

Nominal voltage and frequency:

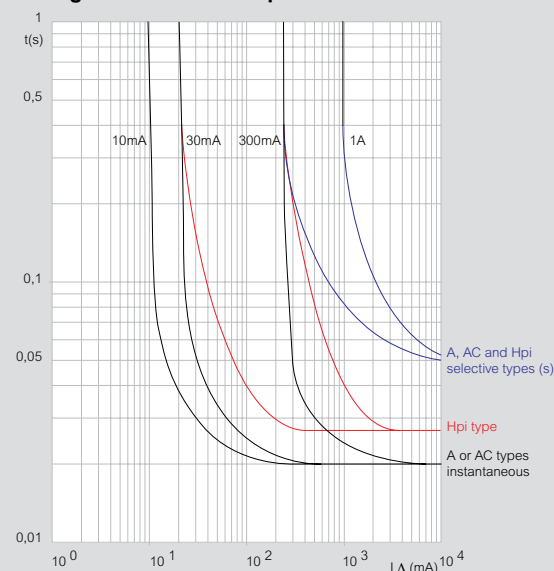
400V a.c. 50Hz with standard tolerances

General characteristics

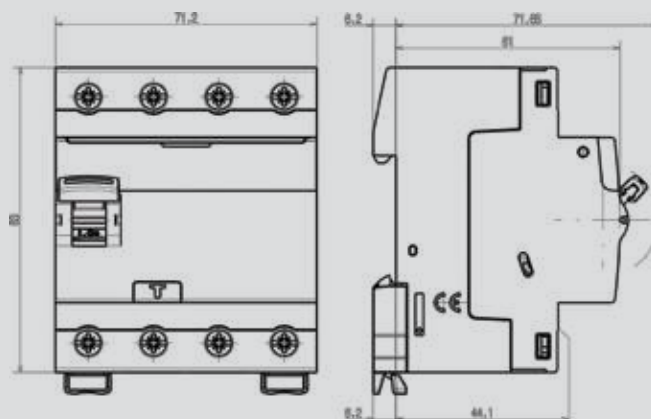


Performance of RCCBs

Average residual current performance curves



Overall dimensions



Preparation - connection

Power supply (line side):

From the top or the bottom

Connection:

- Inputs and outputs via screw terminals
- Neutral on right

Terminal arrangement:

- Cage terminals, with disengageable and captive screws
- Terminals protected against direct finger contact IP20, wired device

Connection:

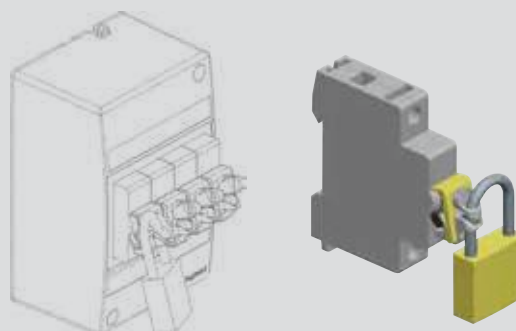
- Terminals protected against direct finger contact IP20, wired device
- Cage terminals, with disengageable or captive screws
- Terminals fitted with flaps preventing a cable being placed under the terminal, with the terminal partly open or closed
- Alignment and spacing of the terminals permitting connection with the other products in the range via fork supply busbars

Cable cross-section:

| | Without ferrule | With ferrule |
|-----------------------|--|-------------------------------|
| Rigid cable | 1 x 0.75 to 50mm ² or 2 x 0.75 to 16mm ² | - |
| Flexible cable | 1 x 0.75 to 35mm ² or 2 x 0.75 to 16mm ² | 1 x 0.75 to 25mm ² |

Locking possibility:

Using MCBLOCK accessory



Compact R.C.B.O. 6000A (1P+N) 1 module

Cat no. 411121, 411122, 411124, 411125, 411126, 411127, 411128, 411129, 411131, 411133, 411134



Description - use

Residual Current Circuit Breaker with Overload (RCBO) with positive contact indication for control, protection against short-circuits and overloads, and isolation of electrical circuits, protecting people from direct and indirect contact and protecting installations from insulation faults.

Technology:

Electronic Residual Current Circuit Breaker voltage dependent
 Thermal-magnetic circuit breaker
 Limiting device
 Trip-Free mechanism

Range

Polarity:

2 poles including 1 protected pole and 1 neutral pole (neutral switching)

Power supply:

Either from the top or the bottom

Rated currents (In):

6 / 10 / 16 / 20 / 25 / 32 A

Magnetic tripping curves:

C curve (between 5 and 10 In)

Type:

A

Sensitivity:

10 mA
 30 mA

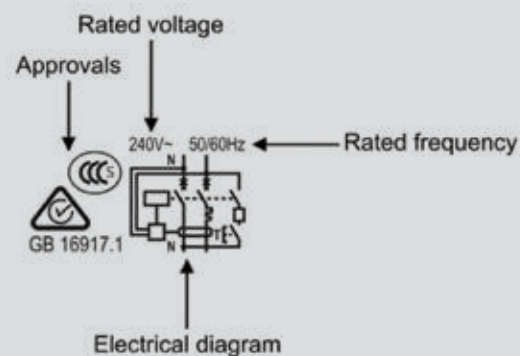
Rated voltage and frequency:

240 V ~, 50/60Hz with standard tolerances

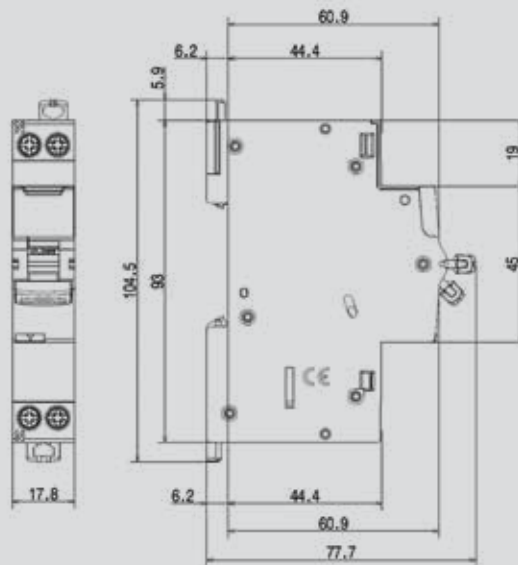
Breaking capacity:

Icn = 6000 A in accordance with IEC 61009-1 standard

Marking on the upper panel:



Overall dimensions



Module maintenance:

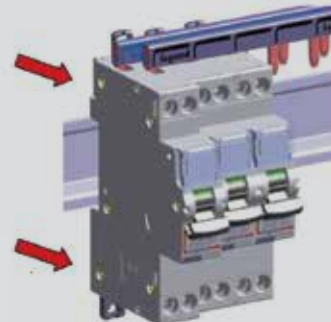
The RCBO may be replaced without disconnecting the other products.

Lift the clamp to the uppermost position



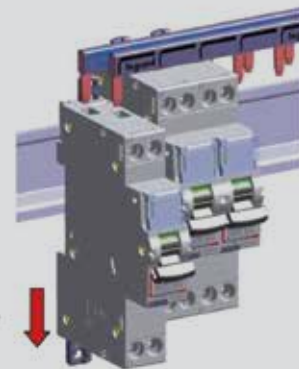
Lift the clamp to the lowermost position

Unscrew completely both upper terminals



Pull the device forward in order to release it from the rail

Pull the device downward in order to release it completely from the prongs of the busbar



DX³ compact RCBO's 10kA (1P+N) 1 module

Cat no. 606410, 606411, 606412, 606413, 606414, 606415



Description - use

R.C.B.O. with positive contact indication for control and protection of electrical circuits and protection of people against direct and indirect contacts and of installations against insulation faults.

Range

Rated breaking capacity:

10 000A according to AS/NZS 61009-1

Rated current:

10 / 16 / 20 / 25 / 32 / 45A

Magnetic tripping curves:

C (between 5 and 10In)

Type:

AC (Residual sinusoidal alternating current)

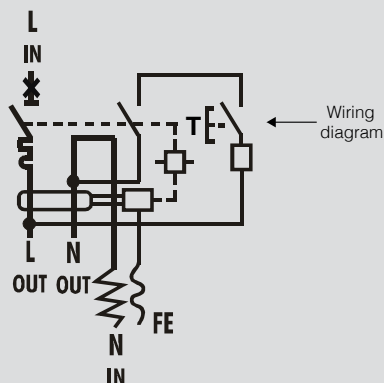
Sensitivity:

30mA

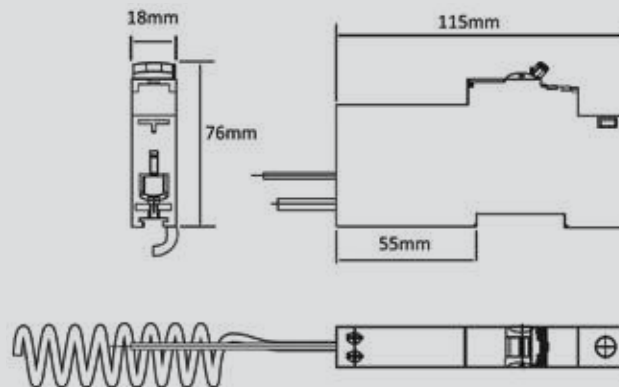
Nominal voltage and frequency:

240V a.c. 50/60Hz with standard tolerances

General characteristics



Overall dimensions



Preparation - connection

Connection:

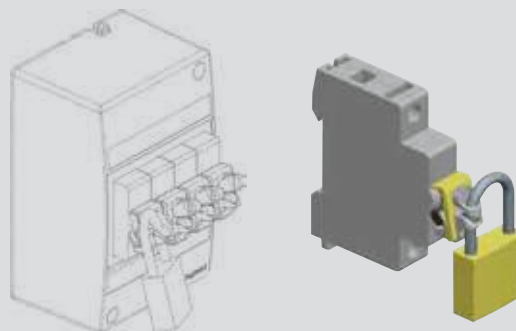
- Terminals protected against direct finger contact (IP20)
- Terminals with release type, captive screw
- Terminal depth : upstream = 14mm and downstream = 14mm
- Screw head : mixed, slotted and Pozidriv n° 2
- Recommended tightening torque :
 - 2Nm upper side
 - 1.2Nm lower side

Cables cross-section:

| | | Without ferrule | With ferrule |
|------------------|----------------|--|-------------------------------|
| Top terminals | Rigid cable | 1 x 0.75 to 35mm ² 2 x 0.75 to 16mm ² | - |
| | Flexible cable | 1 x 0.75 to 25mm ² 2 x 0.75 to 10mm ² | 1 x 0.75 to 25mm ² |
| Bottom terminals | Rigid cable | 1 x 0.75 to 16mm ² 2 x 0.75 to 6mm ² | - |
| | Flexible cable | 1 x 0.75 to 10mm ² 2 x 0.75 to 4mm ² | 1 x 0.75 to 10mm ² |

Locking possibility:

Using MCBLOCK accessory



DX³ RCBO 2P/4P up to 63A

Cat no. 410999, 411000, 411002, 411003, 411004, 411005, 411006, 411047, 411048, 411050, 411051, 411052, 411053, 411054, 411185, 411186, 411187, 411188, 411189, 411190, 411191, 411192, 411233, 411234, 411235, 411236, 411237



411002



411236

Description - use

R.C.B.O. with positive contact indication for control and protection of electrical circuits and protection of people against direct and indirect contacts and of installations against insulation faults. Save space in distribution boards on both residential and commercial installation.

Range

Polarity:

2 pole / 4 pole

Width:

1 module per pole. Each module is 17.8mm

Nominal rating In:

6 / 10 / 16 / 20 / 25 / 32 / 40A

Residual current types:

- AC (sinusoidal differential alternating currents)
- A (residual currents with a DC component)

Sensitivity:

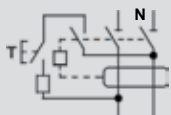
30mA

Nominal voltage and frequency:

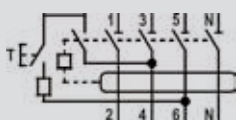
230V a.c. / 240V a.c. 50Hz with standard tolerances

General characteristics

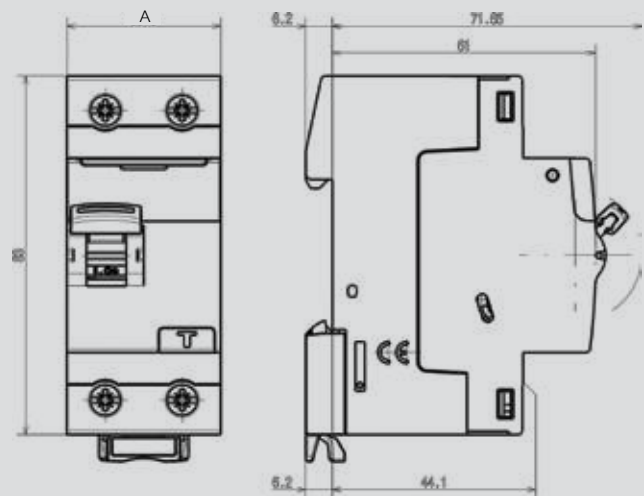
2 Pole



4 Pole



Overall dimensions



| | 2 poles | 4 poles |
|---|---------|---------|
| A | 35.8 | 71.2 |

Preparation - connection

Power supply (line side):

From the top or the bottom

Connection:

Inputs and outputs via screw terminals
Neutral on right hand side

Connection:

- Terminals protected against direct finger contact IP20, wired device
- Cage terminals, with disengageable or captive screws
- Terminals fitted with flaps preventing a cable being placed under the terminal, with the terminal partly open or closed
- Alignment and spacing of the terminals permitting connection with the other products in the range via fork supply busbars

Cables cross-section:

| | Without ferrule | With ferrule |
|----------------|--|-------------------------------|
| Rigid cable | 1 x 0.75 to 50mm ² or 2 x 0.75 to 16mm ² | - |
| Flexible cable | 1 x 0.75 to 35mm ² or 2 x 0.75 to 16mm ² | 1 x 0.75 to 25mm ² |

Locking possibility:

Using MCBLOCK accessory



Surge protective devices (SPDs)

Cat no. 412220, 412224, 412225, 412230, 412232, 412233, 412270, 412272, 412274, 412275

Technical characteristics

Modular SPDs

230/400V a.c. power network (50/60Hz) - Degree of protection IP20

Operating temperature: -10 to +40°C / Storage temperature: -20 to +70°C

| New cat nos. | Old cat nos. | Application | Type | Poles | Earthing system | Max voltage (Uc) | Protection mode | Nominal current In/pole (8/20) | Max. discharge current | | | Protection level | | Max. short-circuit current I _{sc} | Protective device to be used 1 | FS auxiliary (remote status monitoring) |
|--------------|--------------|-------------------------|-------|-------|------------------|------------------|-----------------|--------------------------------|-------------------------------|---------------------------------|-----------------------------|--|------------|--|--------------------------------|---|
| | | | | | | | | | I _{max} /pole (8/20) | I _{imp} /pole (10/350) | I _{total} (10/350) | Up (L-N/L-PE/N-PE) | Up at 5 kA | | | |
| 412270 | 03920 | Main distribution board | T1+T2 | 1P | TT, TNC, TNS | 320V a.c. | CT1 | 25kA | 60kA | 12.5kA | 12.5kA | 1.5kV at 12.5kA 1.9kV at 25kA | 1kV | 50kA | TX ³ 63A C curve | no |
| 412272 | 03922 | | T1+T2 | 3P | TNC | 320V a.c. | CT1 | 25kA | 60kA | 12.5kA | 37.5kA | | | | | yes |
| 412274 | 03921 | | T1+T2 | 1P+N | TT, TNS | 320V a.c. | CT2 | 25/25kA | 60kA | 12.5/25kA | 25kA | 1.5/1.6/1.5kV at 12.5kA 1.9/2.1/1.5kV at 25kA | 1kV | | | yes |
| 412275 | 03923 | | T1+T2 | 3P+N | TT, TNS | 320V a.c. | CT2 | 25/50kA | 60kA | 12.5/50kA | 50kA | | | | | yes |
| 412230 | 03930 | Sub-Distribution board | T2 | 1P | TT, TNC, TNS, IT | 440V a.c. | CT1 | 20kA | 40kA | | | 1.8kV at 15kA 2.1kV at 20kA | 1.3kV | 50kA | TX ³ 25A C curve | no |
| 412232 | 03932 | | T2 | 3P | TNC, IT | 440V a.c. | CT1 | 20kA | 40kA | | | | | | | yes |
| 412233 | 03933 | | T2 | 4P | TT, TNS, IT | 440V a.c. | CT1 | 20kA | 40kA | | | yes | | | | |
| 412220 | 03940 | | T2 | 1P | TT, TNS | 320V a.c. | CT1 | 10kA | 20kA | | | 1.2kV at 5kA 1.4kV at 10kA | 1.2kV | 25kA | TX ³ 20A C curve | no |
| 412224 | 03941 | | T2 | 1P+N | TT, TNS | 320V a.c. | CT2 | 10/20kA | 20kA | | | | | | | no |
| 412225 | 03943 | | T2 | 3P+N | TT, TNS | 320V a.c. | CT2 | 10/20kA | 20kA | | | 1.2/1.4/1.4kV at 5kA 1.4/1.4/1.4kV at 10kA | 1.2kV | no | | |
| | | | | | | | | | | | | | | yes | | |

CT1: L(N)-PE protection modes. CT2: L-N and N-PE protection modes.

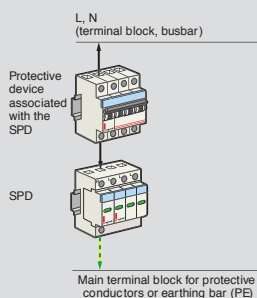
1: MCB or similar type circuit breakers (with T2 and T1+T2 SPDs). For fuse protection or values other than those indicated in the table please consult Legrand. Cascading can be used for higher fault levels.

Installation

Associated overcurrent protection

SPDs must be protected by a circuit breaker (or fuses), to provide protection in the event of overcurrent, which may occur when the SPD reach its end of life. This protective device will be selected to coordinate or discriminate with upstream protective devices.

Connection principles



Connection lengths: as short as possible (< 50 cm if possible).

EMC (Electromagnetic Compatibility) rules: avoid loops, fix the cables firmly against the exposed metal conductive parts of the enclosure.

Coordinating upstream/downstream SPDs

Consists of ensuring that any downstream SPD (in distribution enclosures or proximity SPDs) is correctly coordinated in energy terms with any SPD located upstream (TS 61643-12).

Minimum distances between SPDs

| Upstream SPD | Downstream SPD | Min. distance (m) |
|------------------|----------------|-------------------|
| T1/50 and T1/25 | T2/40 | 10 |
| T1/12.5 and T1/8 | T2/40 | 6 |
| | T2/20, T2/12 | 8 |
| T2/40 | T2/20 | 4 |
| | T2/12 | 6 |
| T2/20 and T2/12 | Proximity SPD | 2 |

RJ11 and TV/AV powerboard protection

| Cat no. | D105TVAV4BL | D105TVAV6BL | D105TVAV8BL |
|--------------------------------|--------------------|----------------|----------------|
| Colour | Black | | |
| No. of outlets | 4 | 6 | 8 |
| Nominal input voltage | 230-240V a.c. 50Hz | | |
| Total loading | 10A 2400W | | |
| Clamping voltage | 775V a.c. | | |
| Surge protection | 875 Joules | 2800 Joules | 3150 Joules |
| Cord length | 2m | 3m | 3m |
| Master switch | Yes | | |
| F Connectors (surge protected) | 2 (1 in 1 out) | 4 (2 in 2 out) | 4 (2 in 2 out) |
| RJ 11 (surge protected) | No | | 2 (1 in 1 out) |
| RFI filter | Yes | | |
| Warranty | 3 year | | |

CX³ modular contactors 16A and 25A with or without handle and silent with handle

Cat no. 412521, 412523, 412524, 412533, 412535, 412536, 412544, 412551, 412558, 412561



412523

412535

412544

Range

Conventional thermal current:

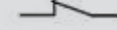
I_{th} = 16 and 25A

Types of contact:

“NO” contact



“NC” contact



“NO + NC” mixed contact



Polarities:

2P in 1 module (17.8mm)

“2NO”

“2NC”

“NO+NC”

4P in 2 modules (35.6mm)

“4NO”

“4NC”

“2NO + 2NC”

“3NO + 1 NC”

Nominal voltage of the power circuit:

U_n = 250V a.c. / 400V a.c.

Nominal voltage of the power circuit:

24V a.c. and 230V a.c.

General characteristics

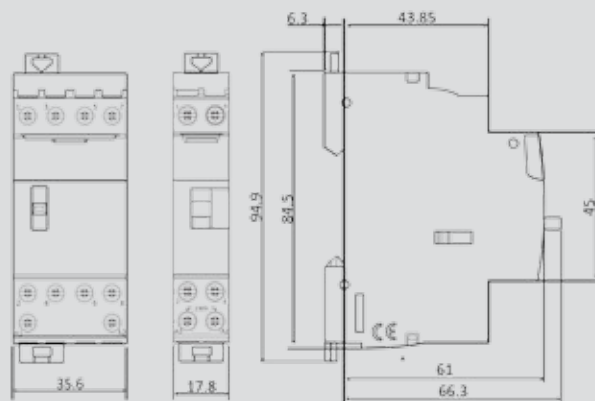
Rated operating current depending on the category of use (I_e):

- AC7a or AC1 (heating): I_e = 16A or 25A depending on the catalogue numbers
- AC7b or AC3 (motor control): I_e = 10A (2.2kW for 2NO and 4kW for 4NO) for the 25A contactors and I_e = 6.5A for the 16A contactors

Rated operating voltage (U_e):

- U_e = 250V a.c. for 1 or 2P
- U_e = 400V a.c. for 3 or 4P

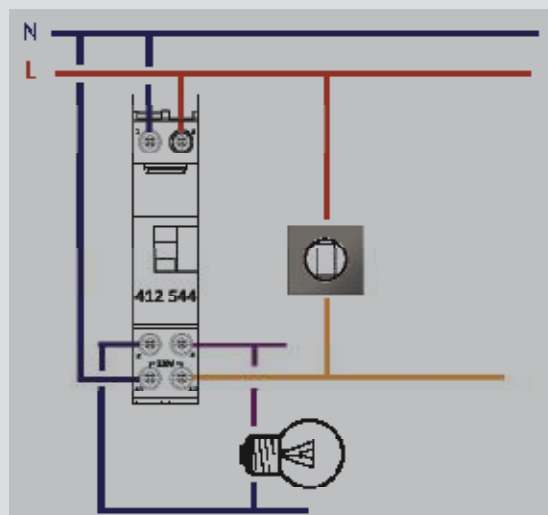
Dimensions



Positioning - connection

Examples of schematic diagrams:

“2 NO” contactor

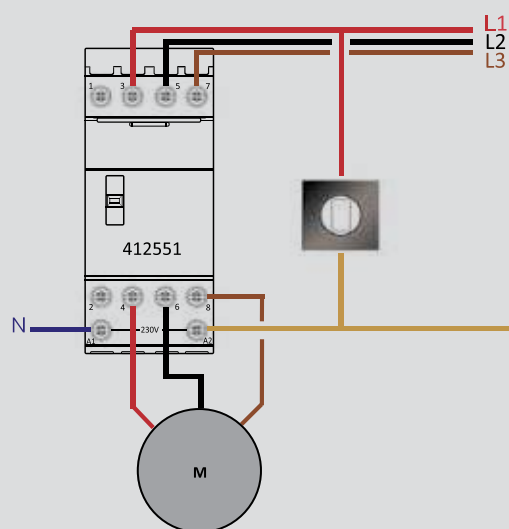


CX³ modular contactors 16A and 25A with or without handle and silent with handle

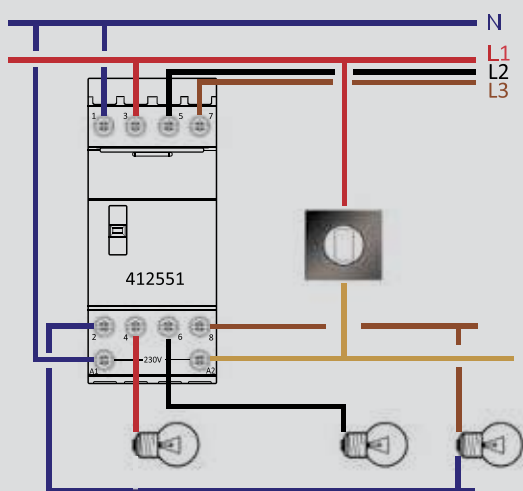
Cat no. 412521, 412523, 412524, 412533, 412535, 412536, 412544, 412551, 412558, 412561

Positioning - connection

"4NO used as a 3NO" contactor



"4NO" contactor



Connection:

- Screw control and power terminals:

- Type of terminal: caged
- Depth: 12mm
- Capacity: 4.7 H x 4.7mm W
- Compatible copper conductors

Rigid: 1 x (0.75 to 6mm²) or 2 x (0.75 to 2.5mm²)

Flexible without gland: 1 x (0.75 to 6mm²) or 2 x (0.75 to 2.5mm²)

Flexible with single gland: 1 x (0.75 to 6mm²)

Flexible with double gland: 2 x (0.75 to 4mm²)

- Screw head: mixed head Pozidriv no. 1 and 4mm blade
- Screw head: mixed M3.5
- Min. tightening torque: 0.5Nm/max.: 1.2Nm recommended: 0.8Nm

Length of control lines:

- With 24V contactor: 330m for 1 module contactor or 100m for 2 module contactor with 1.5mm² cables
- With 230V contactor: 250m for 1 module contactor or 400m for 2 module contactor regardless of the connection cable cross section.

Control status display:

- Via orange indicator showing the presence of the control signal or the forced switch-on status
- The handle position defines the way the contactor works:
 - "I" position: Forced switch on/ON
 - "O" position: Forced switch off/OFF
 - "Auto" position: Automatic (the contact status depends on the electrical control)

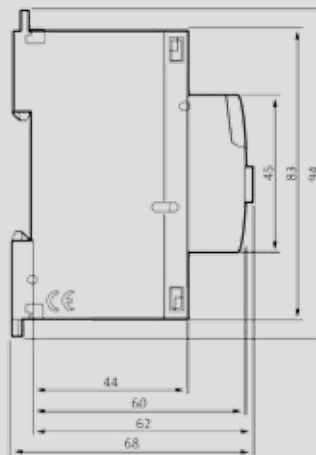
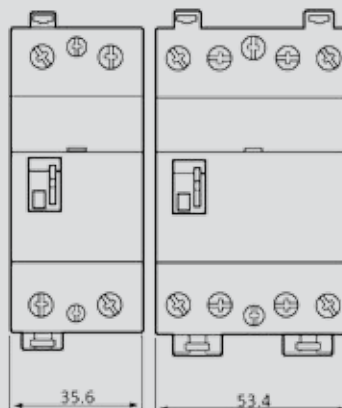
CX³ modular contactors 40A and 63A with or without handle

Cat no. 412516, 412527, 412545, 412547, 412548, 412549, 412550, 412553, 412556, 412557



412556

Dimensions



Range

Conventional thermal current:

$I_{th} = 40$ and $63A$

Types of contact:

"NO" normally open contact



"NC" normally closed contact



Polarities:

Double pole in 2 module ($2 \times 17.8\text{mm} = 35.6\text{mm}$)

"2NO"

"2NC"

Four pole in 3 modules ($3 \times 17.8\text{mm} = 53.4\text{mm}$)

"3NO"

"4NO"

"4NC"

"3NO + 1 NC"

Rated voltage (power contacts):

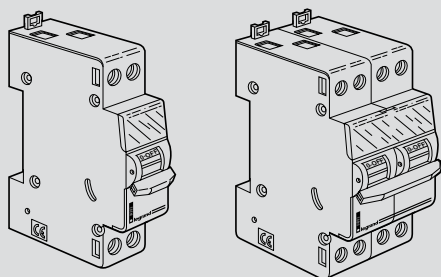
$U_n = 250V / 400V$ a.c.

Rated frequency, power and control:

50/60Hz

Modular changeover switches

Cat no. 412900, 412902, 412903



Range

2-way switch 250V a.c.

20A



Centred 2-way switch 250V a.c.

20A

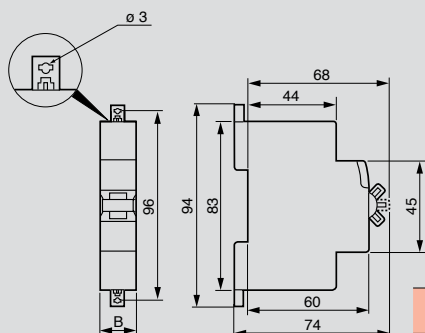


Centred 2 gang 2-way switch 250V a.c.

20A



Dimensions



| | B |
|-----------------|------|
| 412900 / 412902 | 17.7 |
| 412903 | 35.6 |

Electrical characteristics

Rated current: 32A with resistive load, 20AX with fluorescent load

Rated voltage: 250V a.c.

Power dissipation per pole: 1.5W

Overvoltage category: 4kV a.c.

Dielectric strength: 2kV a.c.

Nominal frequency: 50/60Hz

AC 22: mixed loads

Related accessories

Wiring accessories

- Supply busbars
- Incoming terminals

Installation

Wiring:

Conductors permitted

Flexible with end caps
Rigid

1.5 to 4mm²
1.5 to 4mm²

Tools required

Flat blade screwdriver
Posidrive screwdriver

Ø4mm
Pz 1

Tightening torque

Min.
Max.
Recommended

0.8Nm
1.8Nm
1.2Nm

Protection against direct contact: IP 2x

- Cage terminals, with combined Posidrive, releasable and captive screws
- Aligning and spacing of the terminals to allow busbar connection with other products in the range
- Each unit can be disconnected and removed independently

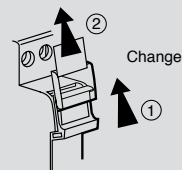
Marking

Circuits labelled on front face:

- with label creation software
- with electronic label printer with keypad
- with preprinted sheet of symbols



Insert



Change

Power supply

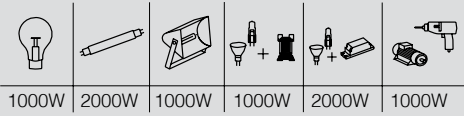
Via the top

Analogue time switches

Cat no. 49983, 649917

| Load | EconoRex MT 49983 | MaxiRex 4T 649917 |
|------|--------------------------------------|-------------------|
| | 230V a.c. 50Hz | |
| | — | |
| | 1 x 24h | |
| | 20A 250V a.c. $\mu \cos \varphi = 1$ | |
| | -10°C to +60°C | |

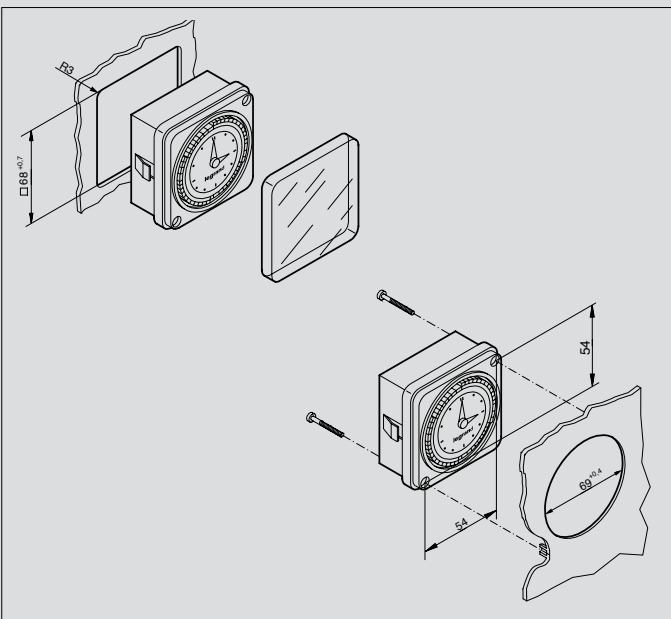
Operation (Cat no. 49983)



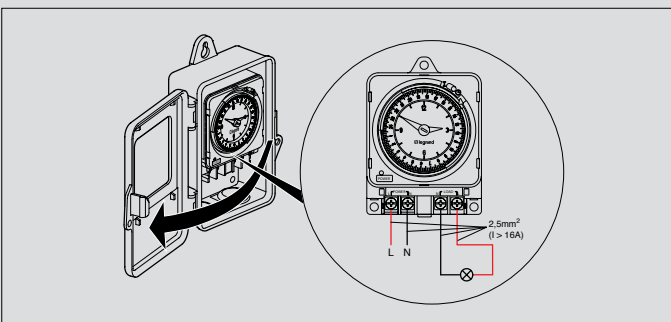
Operation (Cat no. 649917)

| | | | | | | | | | |
|----------------|-------|-------|----------------|-------|-------|------|-------|-------|--|
| | | | | | | | | | |
| -10°C +55°C | 1000W | 1000W | 1000VA 14µF | 1000W | 1000W | 150W | 1000W | 3600W | |

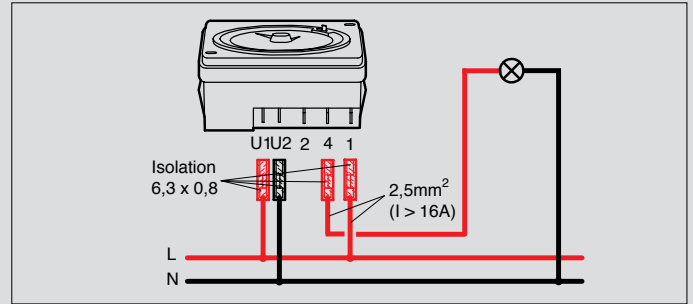
Dimensions (Cat no. 49983)



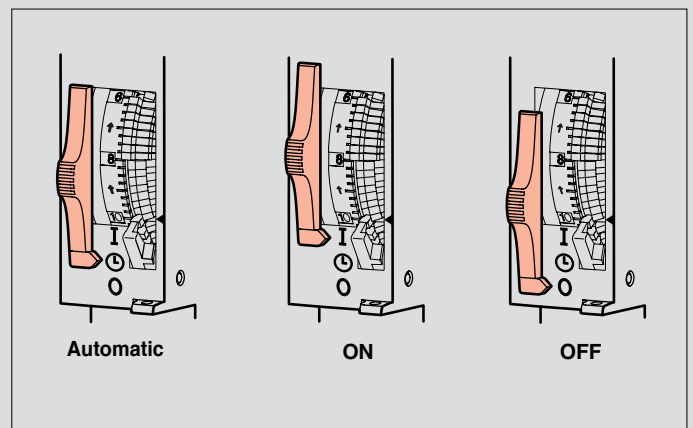
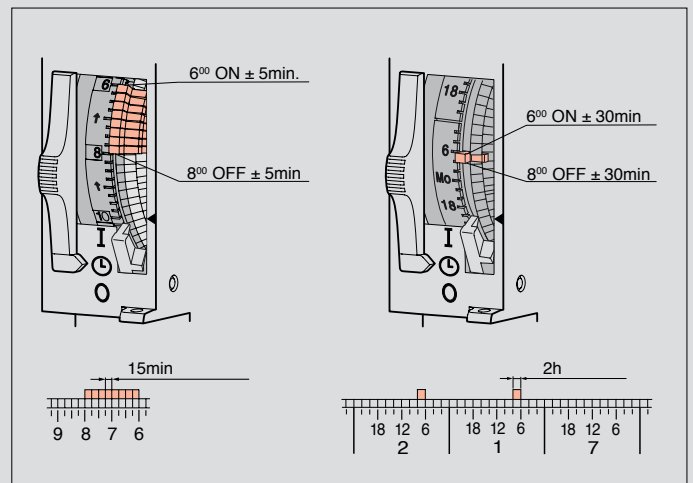
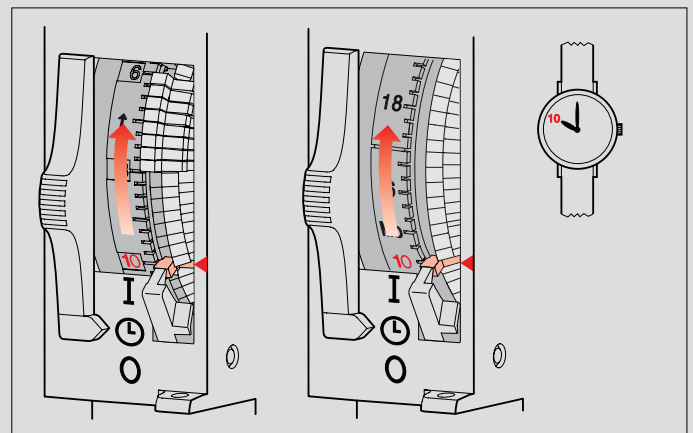
Technical characteristics (Cat no. 49983)



Technical characteristics (Cat no. 649917)

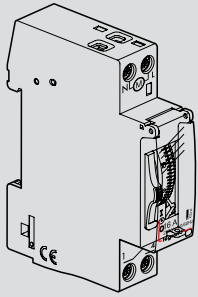


Installation

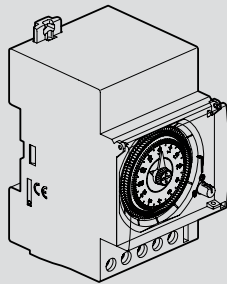


Analogue time switches

Cat no. 412780, 412790, 412794, 412795, 412812, 412813, 49754

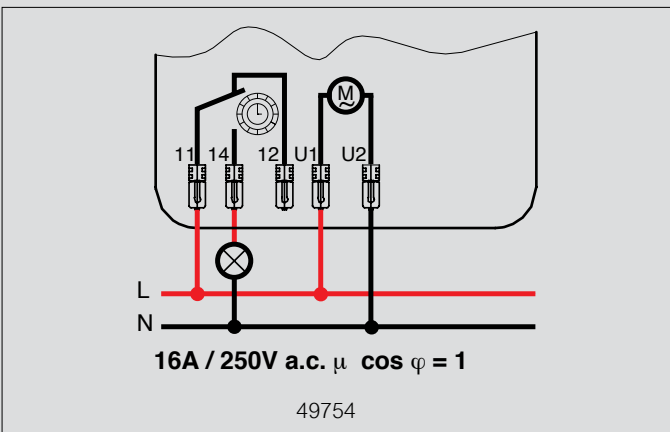
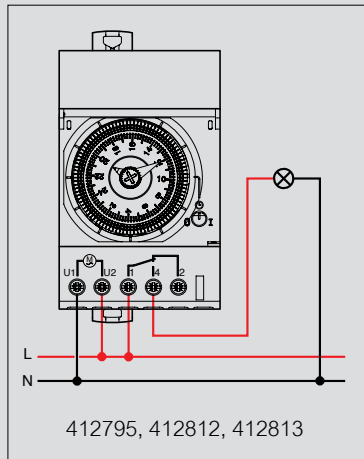
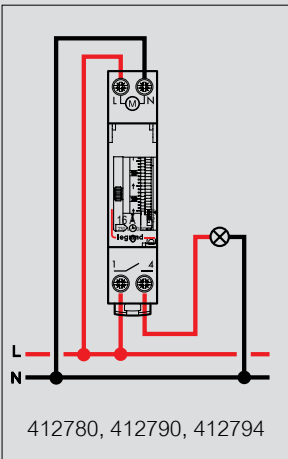


412780, 412790, 412794



412795, 412812, 412813

| Load | MicroRex T11 412780 | T31 412812 | MicroRex QT11 412790 | QT31 412813 | MicroRex QW11 412794 | QW31 412795 | MaxiRex CQT 49754 |
|-----------|-----------------------|------------|----------------------|-------------|----------------------|---------------|-------------------|
| | 230V a.c. 50Hz | | 230V a.c. 50-60Hz | | | | |
| | — | | R 100h / +25°C | | | | |
| P | 0.85W | | 0.6W | | | 0.8W | |
| | 50H | | ± 2 s/d +25°C | | | ± 1 s/d +25°C | |
| | 16A/250 V-μ cos φ = 1 | | | | | | |
| | | | | | | | |
| | - 10°C to +55°C | | | | | | |
| | - 10°C to +60°C | | | | | | |
| IP | 30 | | | | | | |

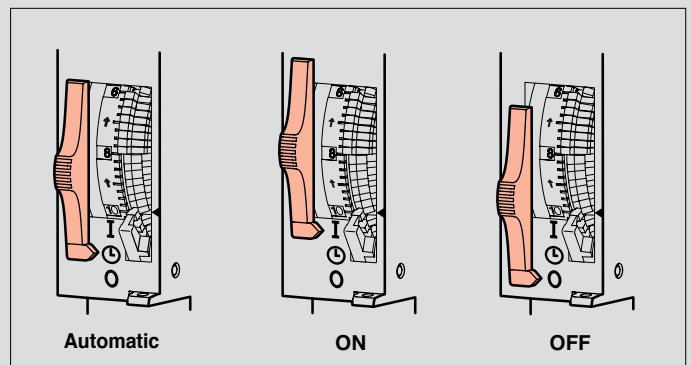
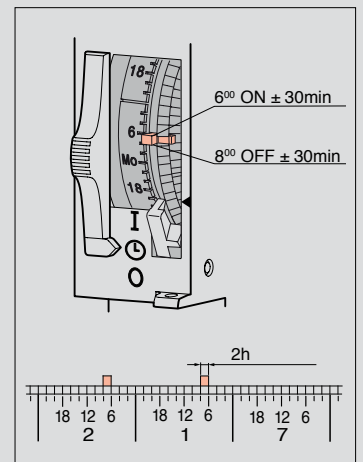
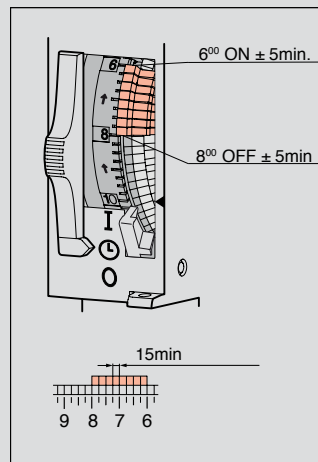
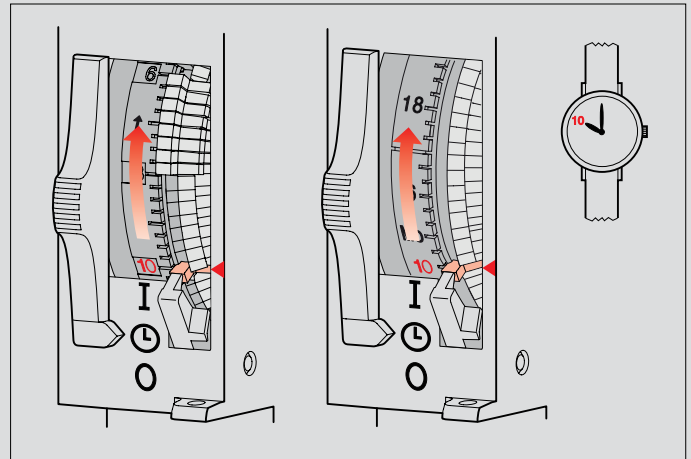


Operation

| | | | |
|------------------------|--------|--------------|-------|
| | | | |
| 3680W 3600W (49754) | 1400VA | 1x 58W ≤ 7μF | 1000W |
| | | | |
| 1000W | 1000W | 2300W | 100W |

Installation

412780, 412790, 412794

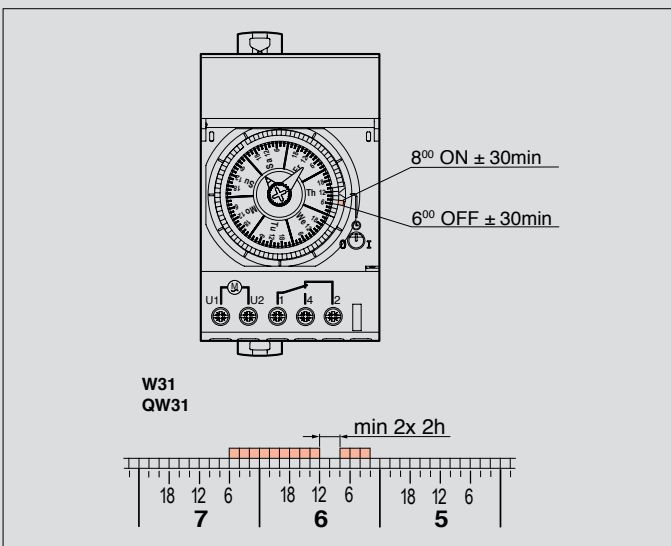
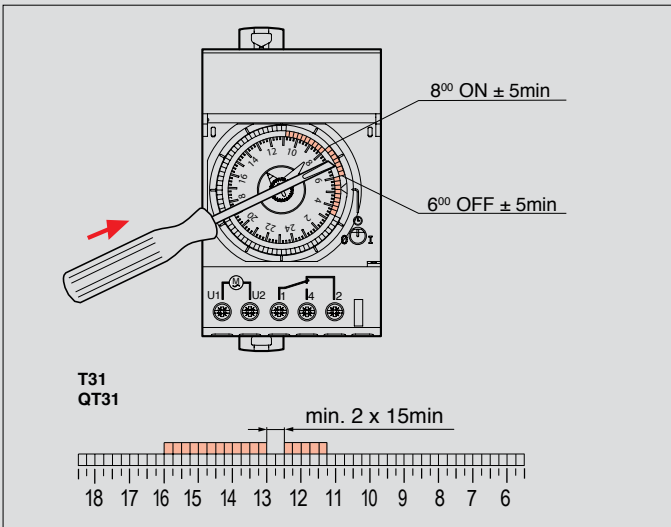
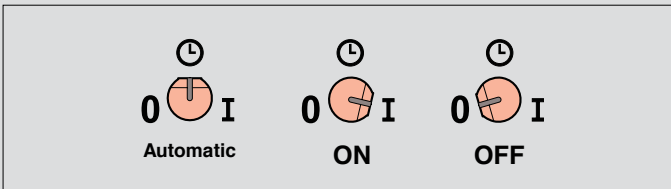
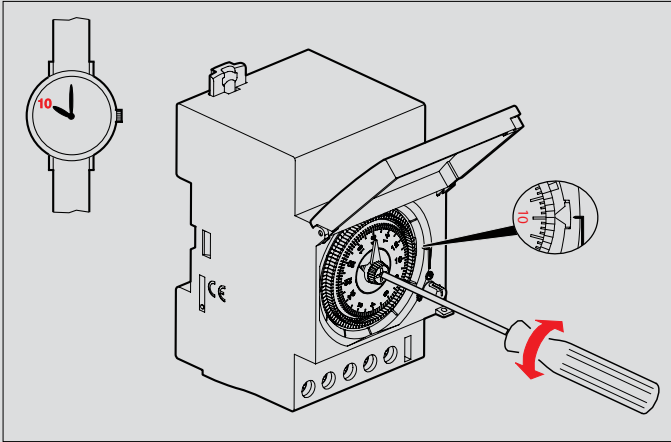


Analogue time switches

Cat no. 412780, 412790, 412794, 412795, 412812, 412813, 49754

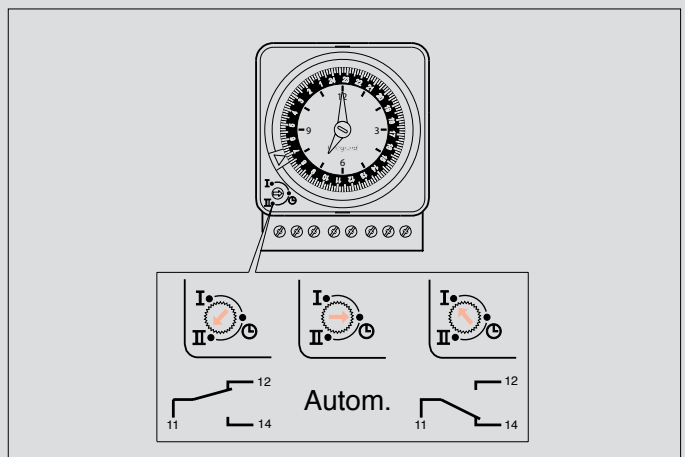
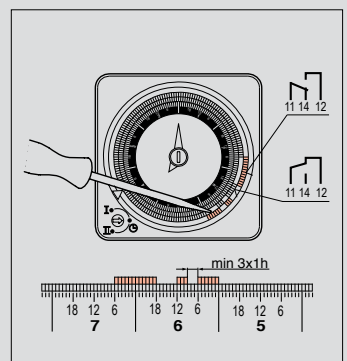
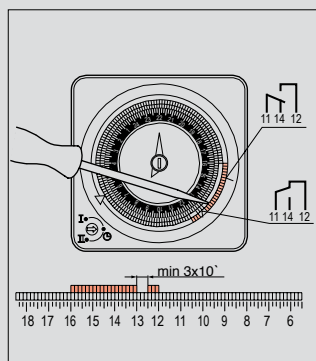
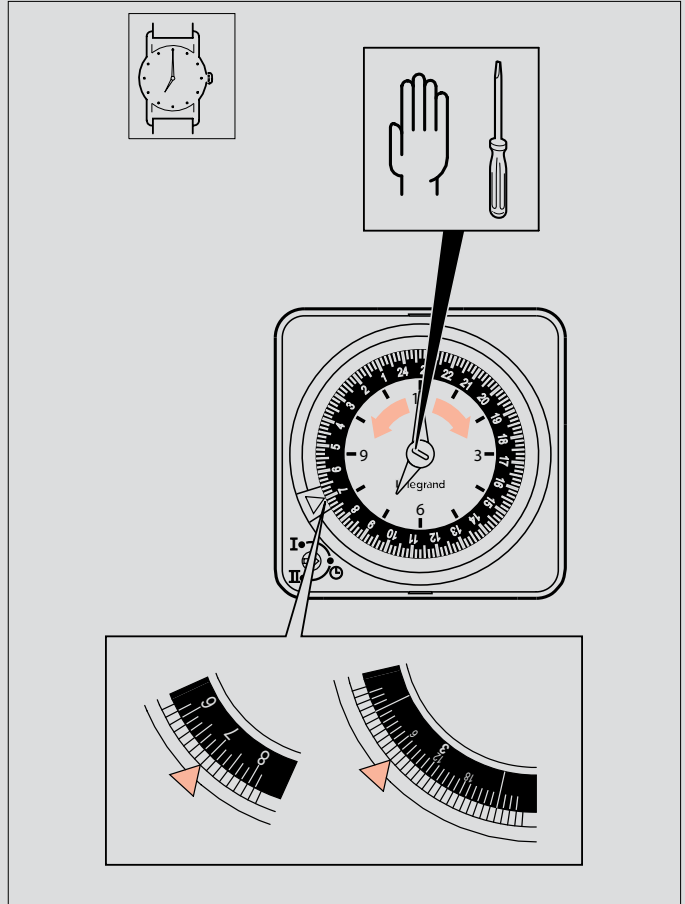
Installation

412795, 412812, 412813



Installation

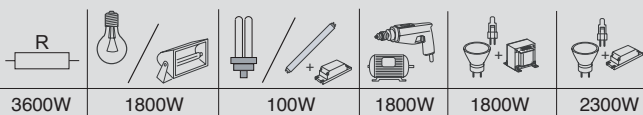
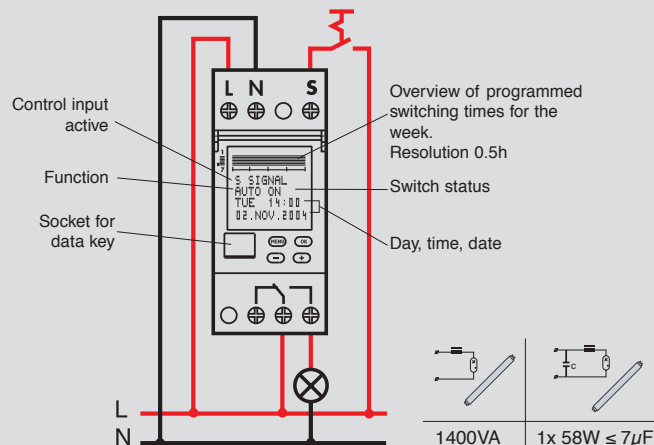
49754



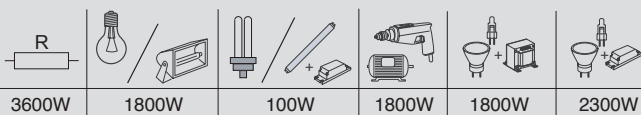
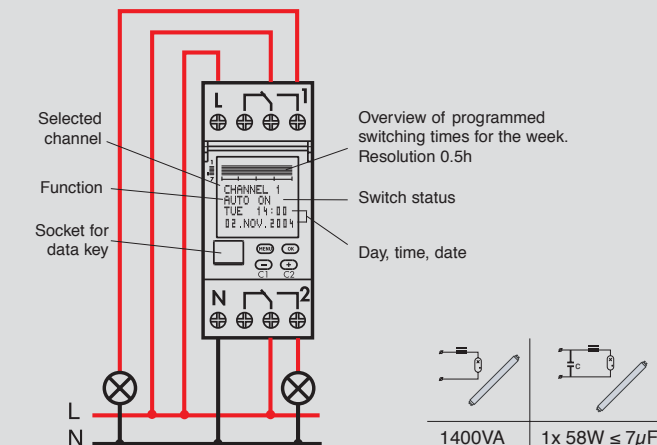
Digital time switches AlphaRex Astro weekly

Cat no. 04764, 04769

04764



04769



Technical characteristics

| | | |
|--------------------------|---|---------------------------|
| Cat no. | 04764 | |
| Supply voltage | 230V a.c. 50/60Hz | |
| Power consumption | ca. 1W | |
| Relay output | 1 changeover contact 16A 250V a.c. $\mu \cos \varphi = 1$ | |
| Parallel compensation | 60VA max. 7 μ F | |
| Accuracy | ± 0.2 s/day under typical installation conditions | |
| | single strand | multi strand |
| Wire cross sections | 1.5 to 4mm ² | 1.5 to 2.5mm ² |
| Programs | 28 | |
| Geographical coordinates | Resolution 1° | |
| Control cable length | max. 20m | |
| Control signal | 230V a.c./ca. 2mA 120V a.c./ca. 2mA 24V a.c./ca. 2mA | |
| Control pulse duration | > 100ms | |
| Delay time | 0 mins to 23 hours 59 mins | |
| Battery reserve | 6 years | |
| Storage temperature | -20°C to +60°C | |
| Operating temperature | -20°C to +55°C | |

General information

Starting: After connection of the supply voltage, the clock starts to run with last selected function. The relay position is determined by the currently active program.

Backup battery:

- background lighting switched off
- data key READ/WRITE only via the menu

- MENU** Menu selection, back in menu, Actuation >1s = operating display
- OK** Confirm a selection or accept a parameter setting
- **+** Selection of menu item or set a parameter

Technical characteristics

| | | |
|--------------------------|---|---------------------------|
| Cat no. | 04769 | |
| Supply voltage | 24V a.c. 50/60Hz | |
| Power consumption | approx. 1W | |
| Relay output | 2 changeover contact 16A 250V a.c. $\mu \cos \varphi = 1$ | |
| Parallel compensation | 60VA max. 7 μ F | |
| Accuracy | ± 0.2 s/day under typical installation conditions | |
| | single strand | multi strand |
| Wire cross sections | 1.5 to 4mm ² | 1.5 to 2.5mm ² |
| Programs | 14 per channel | |
| Geographical coordinates | Resolution 1° | |
| Battery reserve | 6 years | |
| Storage temperature | -20°C to +60°C | |
| Operating temperature | -20°C to +55°C | |

General information

Starting: After connection of the supply voltage, the clock starts to run with last selected function. The relay position is determined by the currently active program.

Backup battery:

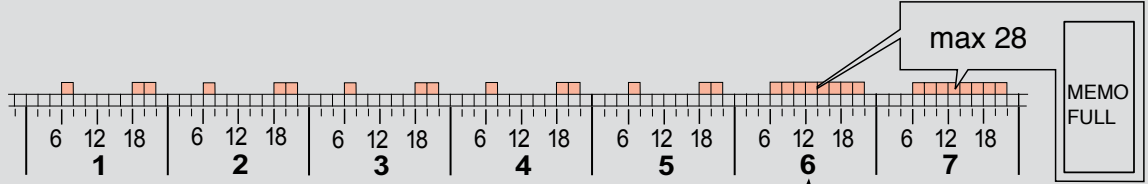
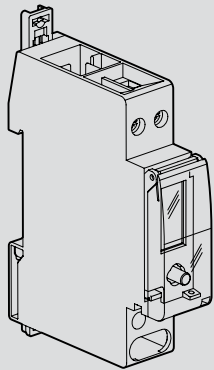
- background lighting switched off
- data key READ/WRITE only via the menu

For 04769: When operated from the mains voltage, the time switch may not be used to switch protective low voltages. When operated from a protective low voltage, it may not be used to switch mains voltages.

- MENU** Menu selection, back in menu, Actuation >1s = operating display
- OK** Confirm a selection or accept a parameter setting
- **+** Selection of menu item or set a parameter
- C1 C2 Channel selection

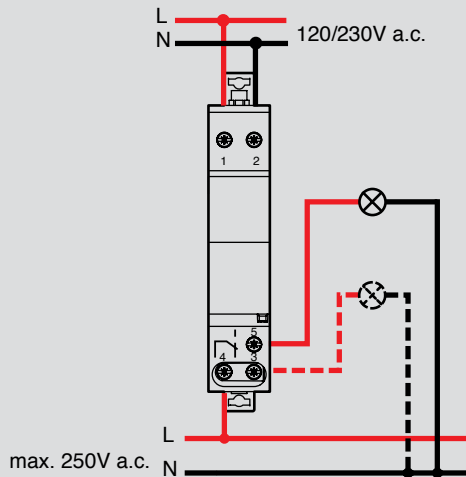
Digital time switches

Cat no. 03705

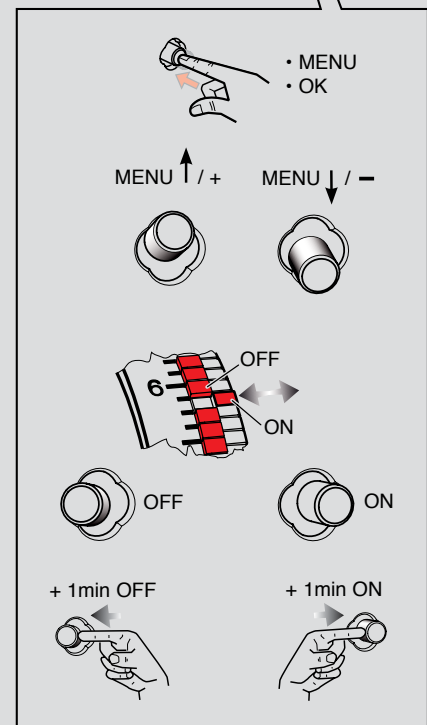
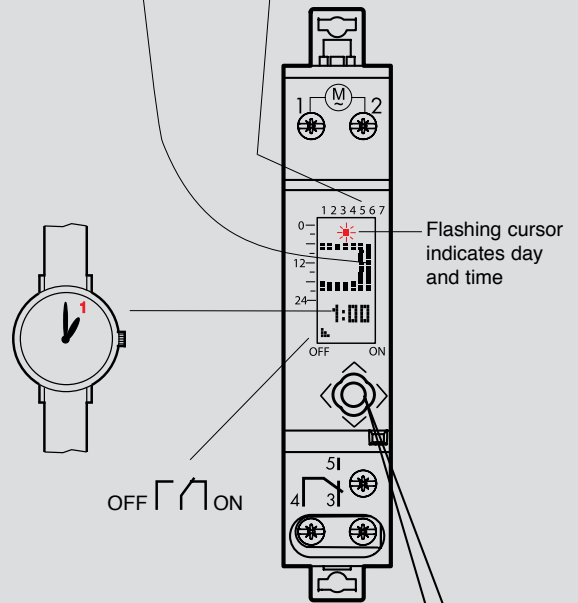


| | |
|----------|---|
| M | 120/230V a.c. 50/60Hz |
| P | < 0.1W |
| | 1 x 16A 250V a.c. cos $\Psi = 1$ |
| | $\pm 1s/d$ 25°C |
| | 1.5 to 4mm ² 1.5 to 2.5mm ² |
| | 6a CR2032 |
| | - 10°C to +25°C |
| | - 10°C to +60°C |

Operation



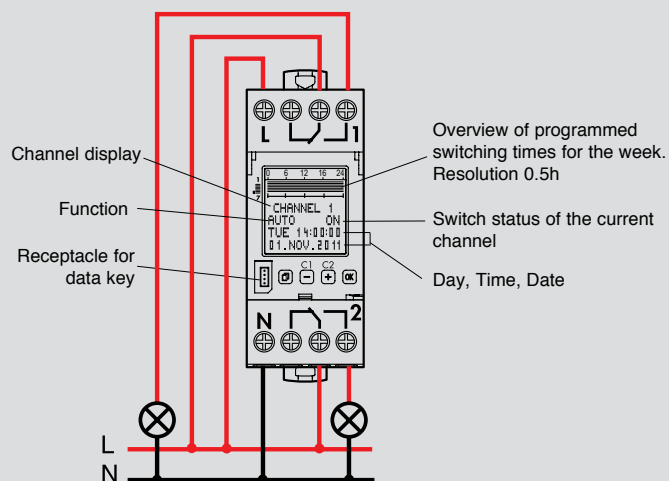
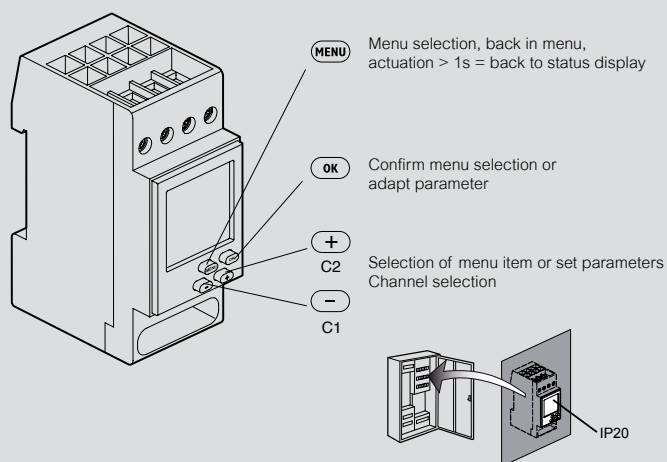
| | | | |
|--------|------------------|-------|-------|
| | | | |
| 1400VA | 1x 58W 7 μ F | 4000W | 1200W |
| | | | |
| 100W | 1800W | 1800W | 2300W |



Digital time switches

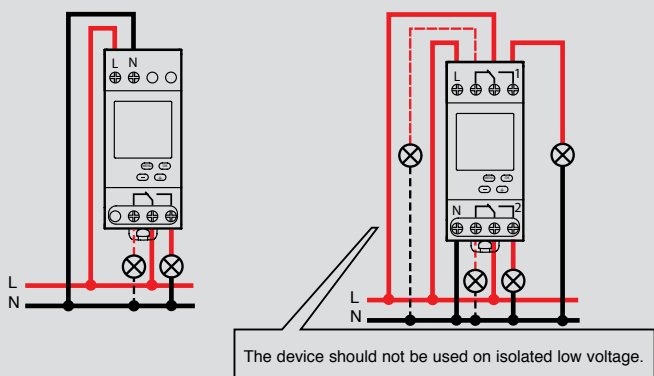
Cat no. 603770, 603771

Cat no. 412630



| Cat no. | 603770 | 603771 |
|--------------------------|--|--|
| | 230V a.c. 50/60Hz | |
| | 1 x 16A/250V a.c. $\mu \cos \varphi = 1$ | 2 x 16A/250V a.c. $\mu \cos \varphi = 1$ |
| Power consumption | 0.9W | 1.3W |
| Programs | 28 | 14 / channel |
| Ganggenauigkeit | $\pm 1s/day$ under typical installation conditions | |
| | 1 to 4mm ² | 0.5 to 2.5mm ² |
| Battery reserve | 3 years | |
| | -20°C to +55°C | |
| | -20°C to +60°C | |

Operation



| | | | |
|-------|--------|----------------|-------|
| | | | |
| 3680W | 2000VA | 600W 7 μ F | 2000W |
| | | | |
| 2000W | 2000W | 2000W | 1000W |

| | | | |
|-------|--------|----------------|-------|
| | | | |
| 3680W | 2000VA | 600W 7 μ F | 2000W |
| | | | |
| 2000W | 2000W | 2000W | 1000W |

General information

Starting: after applying the supply voltage, the time switch starts automatically with the last selected function. The relay position is set by the current program.

Backup battery:

- backlighting not active
- data key READ/WRITE only via the menu

For safety, when the time switch is connected to the mains supply the contact should not be used on an isolated low voltage supply and when the time switch is connected to the isolated voltage supply the contact should not be used on the mains supply.

- Menu selection, back in menu, Actuation > 1s = operating display
- Confirm a selection or accept a parameter setting
- Selection of menu item or set a parameter
- Channel selection (for 2 channel switches)

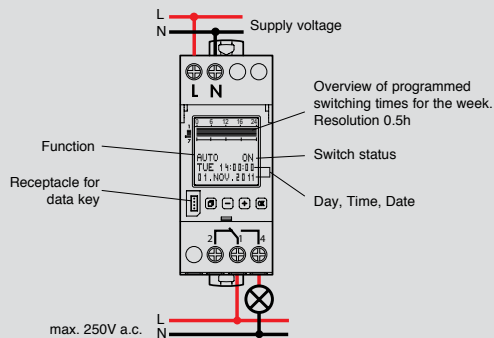
Technical characteristics

| | | |
|------------------------------|---|---------------------------|
| Supply voltage | 230V a.c. 50/60Hz | |
| Power consumption | approx. 1.5W | |
| Relay output | 2 changeover contact 16A 250V a.c. $\mu \cos \varphi = 1$ | |
| Accuracy | $\sim 0.1s/day$ | |
| | single strand | multi strand |
| Wire cross sections | 1.5 to 4mm ² | 1.5 to 2.5mm ² |
| Programs | 2 channels x 3 program types x 28 programs | |
| Local coordinates | Resolution 1° / 1' in EXPERT-Mode | |
| Battery reserve | 5 years | |
| Storage temperature | -20°C to +60°C | |
| Operating temperature | -20°C to +55°C | |

Digital time switches

Cat no. 412631, 412641, 412654, 412657, 412872

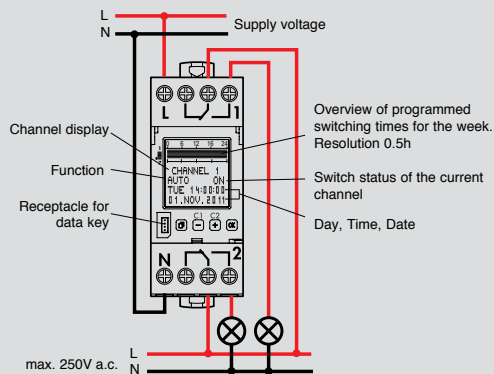
412631 - 1 channel



Technical characteristics

| | | |
|------------------------------------|---|---------------------------|
| Supply voltage | 230V a.c. 50/60Hz | |
| Effective power consumption | Approx. 1W | |
| Contact rating | 1 changeover contact 16A 250V a.c. $\mu \cos \varphi = 1$ | |
| Parallel compensation | 600W max. 70 μ F | |
| Accuracy | ~ 0.1s/day | |
| Terminal capacity | single strand | multi strand |
| | 1.5 to 4mm ² | 1.5 to 2.5mm ² |
| Programs | 56 | |
| Battery reserve | 5 years | |
| Storage ambient | -20°C to +60°C | |
| Working ambient | -20°C to +55°C | |
| IP | 20 | |

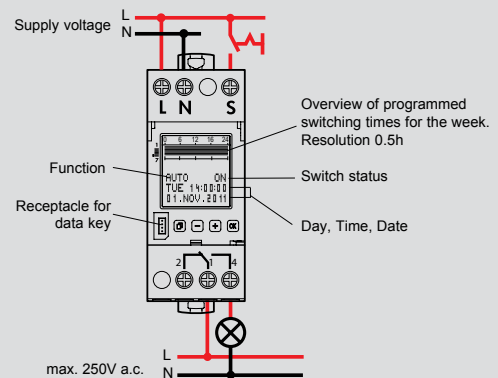
412641 - 2 channel



Technical characteristics

| | | |
|------------------------------|---|---------------------------|
| Supply voltage | 230V a.c. 50/60Hz | |
| Consumption | 1.5W | |
| Contact rating | 2 changeover contact 16A 250V a.c. $\mu \cos \varphi = 1$ | |
| Parallel compensation | 600W max. 70 μ F | |
| Accuracy | ~ 0.1s/day | |
| Terminal capacity | single strand | multi strand |
| | 1.5 to 4mm ² | 1.5 to 2.5mm ² |
| Programs | 28 per channel | |
| Battery reserve | 5 years | |
| Storage ambient | -20°C to +60°C | |
| Working ambient | -20°C to +55°C | |
| IP | 20 | |

412654 - Astro with control input



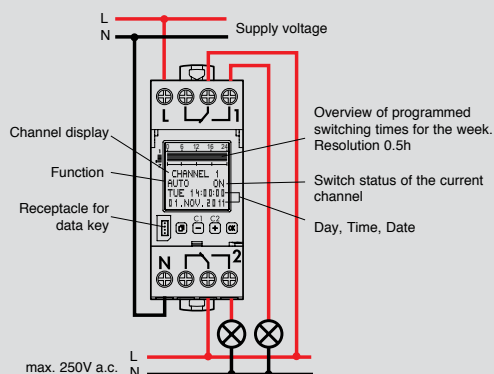
Technical characteristics

| | | |
|-------------------------------|---|---------------------------|
| Supply voltage | 230V a.c. 50/60Hz | |
| Consumption | 1W | |
| Relay outputs | 1 changeover contact 16A 250V a.c. $\mu \cos \varphi = 1$ | |
| Accuracy | ~ 0.1s/day | |
| Wire cross sections | single strand | multi strand |
| | 1.5 to 4mm ² | 1.5 to 2.5mm ² |
| Programs | 56 | |
| Control cable length | max. 50m | |
| Control signal | 230V a.c./ 2mA, 120V a.c./ 2mA, 24V a.c./ 2mA | |
| Control pulse duration | 100 to 200ms | |
| Delay time | 0 mins to 23 hours 59 mins 59 secs | |
| Local coordinates | Resolution 1/1' in EXPERT-Mode | |
| Battery reserve | 5 years | |
| Storage ambient | -20°C to +60°C | |
| Working ambient | -20°C to +55°C | |

Digital time switches digital multifunction

Cat no. 412631, 412641, 412654, 412657, 412872

412657 - AlphaRex³ D22 Astro



Technical characteristics

| | | |
|----------------------------|---|---|
| Supply voltage | 230V a.c. 50/60Hz | |
| Consumption | 1.5W | |
| Relay outputs | 2 changeover contact 16A 250V a.c. $\mu \cos \varphi = 1$ | |
| Accuracy | ~ 0.1s/day | |
| Wire cross sections | single strand 1.5 to 4mm ² | multi strand 1.5 to 2.5mm ² |
| Programs | 2 channels x 28 programs | |
| Local coordinates | Resolution 1' / 1' in EXPERT-Mode | |
| Battery reserve | 5 years | |
| Storage temperature | -20°C to +60°C | |
| Working temperature | -20°C to +55°C | |

General information (for 1 channel time switches)

Starting: after applying the supply voltage, the time switch starts automatically with the last selected function. The relay position is set by the current program.

Backup battery:

- backlighting not active
- data key READ/WRITE only via the menu

- Select menu, back to main menu, Hold down > 1s = operating display
- Confirm selection or load parameters
- C1 Select menu options or set parameters
- Channel selection

General information (for 2 channel time switches)

Starting: after applying the supply voltage, the time switch starts automatically with the last selected function. The relay position is set by the current program.

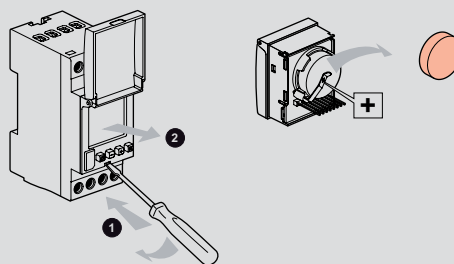
Backup battery:

- backlighting not active
- data key READ/WRITE only via the menu

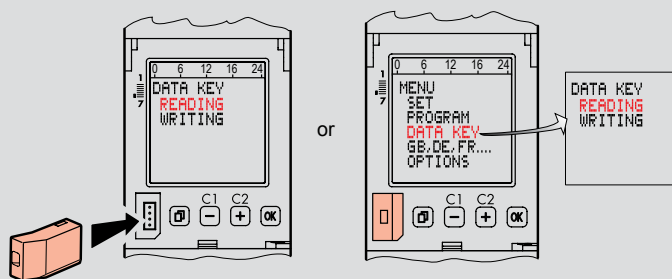
For safety, when the time switch is connected to the mains supply the contact should not be used on an isolated low voltage supply and when the time switch is connected to the isolated voltage supply the contact should not be used on the mains supply.

- Select menu, back to main menu, Hold down > 1s = operating display
- Confirm selection or load parameters
- C1 Select menu options or set parameters
- Channel selection

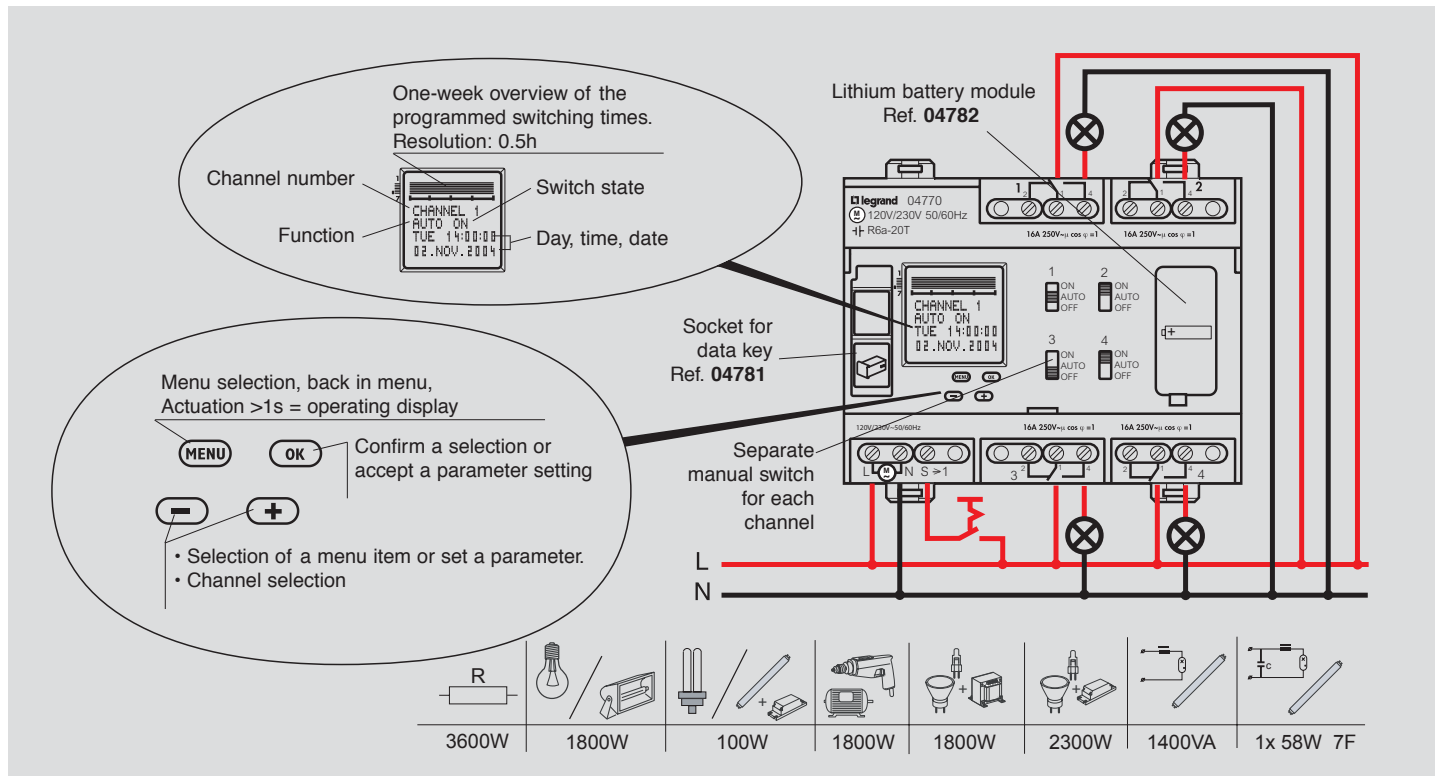
Warning: Electrical shock - Disconnect all power from the device before dismantling the module and replacing the battery. Always use a Li cell type battery (LiMnO₂) CR2477, 3V high temperature type min +85°C



Programming transfer key - Cat no. 412872 (for Cat no. 412631, 412641)



Load the programs from the data key to the time switch (READING KEY)
Warning: all programs already programmed in the time switch will be overwritten.

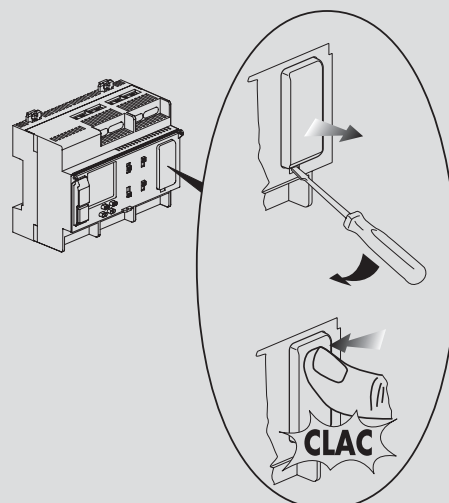


Technical characteristics

| | | |
|-----------------------------------|---|---------------------------|
| Supply voltage | 120/230V a.c. 50/60Hz | |
| Power consumption | approx. 0.3 to 2W | |
| Relay output | 4 changeover contact 16A 250V a.c. $\mu \cos \varphi = 1$ | |
| Accuracy | $\pm 0.2s/day$ under typical installation conditions | |
| Wire cross sections | single strand | multi strand |
| | 1.5 to 4mm ² | 1.5 to 2.5mm ² |
| Programs | 4 channels x 3 program types x 28 programs | |
| Control signal for channel 1 | supply voltage, referred to neutral | |
| Control pulse duration | > 200ms | |
| Control wire length | max. 50m | |
| Delay time | 0 mins to 23 hours 59 mins 59 secs | |
| Local coordinates | Resolution 1° | |
| Battery reserve | 5 years | |
| Storage temperature | -20°C to +60°C | |
| Operating principle | Typ 1.B. S. T. IEC/EN 60730-2-7 | |
| Operation in a normal environment | | |
| Degree of contamination | 2 | |
| Installation | in distribution panel | |

Changing the lithium battery module

Important note: If the battery is replaced with the supply voltage connected, all stored program data are retained. If the battery is replaced with the supply voltage disconnected, the date and time must be set again. Notes for disposal of the lithium battery: Dispose of the exhausted battery in accordance with your local regulations. Make sure the battery is fully discharged before disposal.



New DX³ Compact RCBO



DX³ compact RCBO with switched neutral

The new compact RCBO with neutral disconnection provides more safety by disconnecting both active and neutral.

They come designed with 30mA sensitivity for residential and commercial applications and 10mA for hospital and aged care facilities.

DX³ RCBO's provide 6kA breaking capacity from 6 - 32A and are type A which provides protection even on pulsing DC applications and prevents unwanted tripping.



DISTRIBUTION BOARDS & ENCLOSURES

Consumer Units



P. 58
Surface Mount
Consumer Units

IP65 Enclosures



P. 58
PLEXO³
IP65 Enclosures
4 to 8 Modules

Load Centres



P. 59
Surface Mount
Load Centres

Distribution Boards



P. 61
Distribution
Boards IP42

FEATURED PRODUCTS



Plexo³ IP65 Enclosures
(p. 58)



Surface Mount Consumer Units
(p. 58)



P. 58
PLEXO³
IP65 Enclosures
12 to 36 Modules



P. 59
Flush Mount
Load Centres



P. 59
Accessories for
Load Centres



P. 63
Distribution Boards IP55



**IP42 Distribution
Boards**
(p. 61)



**IP55 Distribution
Boards**
(p. 63)

Distribution cabinets and consumer units

Plexo³ IP65 enclosures and consumer units



01301



01304



HC02S



601974



601982

| Cat.Nos | Plexo³ surface mount enclosures | | UoM | Trade price \$ | GST \$ | Box qty | Carton qty |
|---|---|--|-----|----------------|---------|---------|------------|
| Enclosures 4 to 8 modules - IP65 | | | | | | | |
| 601974 | 4 module surface mount grey 200Hx128Wx116Dmm | | EA | \$111.49 | \$11.15 | - | 6 |
| 601976 | 6 module surface mount grey 200Hx164Wx116Dmm | | EA | \$127.65 | \$12.76 | - | 6 |
| 601978 | 8 module surface mount grey 200Hx200Wx116Dmm | | EA | \$140.82 | \$14.08 | - | 6 |
| Enclosures 12 to 36 modules - IP65 | | | | | | | |
| 601981 | 12 module surface mount grey 282Hx340Wx141Dmm | | EA | \$196.10 | \$19.61 | - | - |
| 601982 | 24 module surface mount grey 432Hx340Wx161Dmm | | EA | \$307.82 | \$30.78 | - | - |
| 601983 | 36 module surface mount grey 622Hx340Wx161Dmm | | EA | \$467.53 | \$46.75 | - | - |
| Surface mount consumer units with DIN-rail | | | | | | | |
| Legrand series 1 to 9 modules - 1 row | | | | | | | |
| 01301 | 1 module white IP30 140Hx30Wx72Dmm | | EA | \$12.20 | \$1.22 | 10 | 100 |
| 01302 | 2 module white IP30 140Hx50Wx72Dmm | | EA | \$13.73 | \$1.37 | 10 | 100 |
| 01304 | 4 module white IP30 160Hx90Wx74Dmm | | EA | \$15.83 | \$1.58 | 10 | 40 |
| 01306 | 6 module white IP30 160Hx128Wx74Dmm earth connection IP2x (4x 1.5-16mm ²) | | EA | \$25.15 | \$2.52 | 5 | 30 |
| 01308 | 9 module white IP30 180Hx190Wx83Dmm earth connection IP2x (8x 1.5-16mm ²) | | EA | \$50.76 | \$5.08 | - | 5 |
| HC series (will fit into customer equipment area on NSW meter box panel) | | | | | | | |
| HC01S | 1 module white IP20 140Hx35Wx68Dmm | | EA | \$10.35 | \$1.04 | 10 | 180 |
| HC02S | 2 module white IP20 140Hx54Wx68Dmm | | EA | \$12.11 | \$1.21 | 6 | 108 |
| HC03S | 3 module white IP20 140Hx72Wx68Dmm | | EA | \$14.06 | \$1.41 | 4 | 80 |
| Accessories | | | | | | | |
| HEEPF5 | Pole fillers 5 module 4x18mm and 2x9mm for consumer units | | EA | \$5.10 | \$0.51 | - | 200 |
| 01955 | Pack of piercing end caps 2xØ32mm, 5xØ25mm and 10xØ20mm | | EA | \$25.00 | \$2.50 | - | 8 |
| 01961 | Blanking plate 5 separable into modules or 1/2 module | | EA | \$2.33 | \$0.23 | 20 | 200 |
| 01966 | Keylock no 850 | | EA | \$15.78 | \$1.58 | - | 50 |
| 01969 | Fixing lugs (set of 4 walls mounting lugs) | | EA | \$58.36 | \$5.84 | - | 20 |



New product



Energy Saving products

More info available.
See technical pages

Coming soon



Product to be discontinued

Distribution cabinets and consumer units

Load centres



HL12S



HEE18S



HL12F



601209

| Cat.Nos | HLC Load centre enclosures with neutral and earth bars | UoM | Trade price \$ | GST \$ | Box qty | Carton qty |
|--|---|-------------|----------------|---------|---------|------------|
| Surface mount load centres | | | | | | |
| HLC12S | 12 module surface mount load centre 210Hx256Wx100Dmm | N EA | \$106.84 | \$10.68 | 1 | 1 |
| HLC18S | 18 module surface mount load centre 222Hx364Wx100Dmm | N EA | \$113.51 | \$11.35 | 1 | 1 |
| HLC24S | 24 module surface mount load centre 325Hx270Wx100Dmm | N EA | \$211.14 | \$21.11 | 1 | 1 |
| HLC36S | 36 module surface mount load centre 473Hx305Wx100Dmm | N EA | \$273.45 | \$27.34 | 1 | 1 |
| Flush mount load centres | | | | | | |
| HLC12F | 12 module Flush mount load centre 210Hx259Wx60Dmm | N EA | \$106.84 | \$10.68 | 1 | 1 |
| HLC18F | 18 module flush mount load centre 228Hx259Wx67Dmm | N EA | \$113.51 | \$11.35 | 1 | 1 |
| HLC24F | 24 module flush mount load centre 311Hx259Wx71Dmm | N EA | \$211.14 | \$21.11 | 1 | 1 |
| HLC36F | 36 module flush mount load centre 458Hx296Wx71Dmm | N EA | \$273.45 | \$27.34 | 1 | 1 |
| Accessories for HLC range | | | | | | |
| HLC12MP | Metal back plate for HLC range 12 module 134Hx149Wx1Dmm | N EA | \$35.10 | \$3.51 | 1 | 1 |
| HLC18MP | Metal back plate for HLC range 18 module 181Hx159Wx1Dmm | N EA | \$36.10 | \$3.61 | 1 | 1 |
| HL Load centre enclosures with neutral and earth bars | | | | | | |
| Surface mount load centres | | | | | | |
| HL12S | 12 module surface mount. white IP30 240Hx318Wx109Dmm | EA | \$111.53 | \$11.15 | 5 | 5 |
| HEE18S | 18 module surface mount. white IP30 214Hx383Wx104Dmm | EA | \$118.32 | \$11.83 | - | 4 |
| HL24S | 24 module surface mount. white IP30 380Hx318Wx109Dmm | EA | \$219.92 | \$21.99 | - | - |
| HL36S | 36 module surface mount. white IP30 505Hx318Wx109Dmm | EA | \$284.96 | \$28.50 | - | - |
| HL48S | 48 module surface mount. white IP30 630Hx318Wx109Dmm | EA | \$373.73 | \$37.37 | - | - |
| Flush mount load centres | | | | | | |
| HL12F | 12 module flush mount. white IP30 305Hx315Wx90Dmm | EA | \$111.53 | \$11.15 | - | - |
| HEE18F | 18 module flush mount. white IP30 223Hx392Wx71Dmm | EA | \$118.32 | \$11.83 | - | 4 |
| HL24F | 24 module flush mount. white IP30 430Hx315Wx90Dmm | EA | \$219.92 | \$21.99 | - | - |
| HL36F | 36 module flush mount. white IP30 555Hx315Wx90Dmm | EA | \$284.96 | \$28.50 | - | - |
| HL48F | 48 module flush mount. white IP30 680Hx315Wx90Dmm | EA | \$373.73 | \$37.37 | - | - |



New product



Energy Saving products



More info available. See technical pages



Coming soon



Product to be discontinued

Whilst most items are stock lines some products are made to order. UoM = Unit Of Measure. Prices are effective 1 June 2017 and are subject to change without notice. Trade prices exclude GST.

Distribution cabinets and consumer units

Load centers



01491



601206



601208

| Cat.Nos | Accessories for HL range | UoM | Trade price \$ | GST \$ | Box qty | Carton qty |
|------------|---|-----|----------------|---------|---------|------------|
| HL12FS-BP | Metal back plate for 12 module flush mount load centres | EA | \$36.60 | \$3.66 | - | - |
| HEE18FS-BP | Metal back plate for 18 module flush mount load centres | EA | \$37.62 | \$3.76 | - | - |
| HL24FS-BP | Metal back plate for 24 module flush mount load centres | EA | \$39.80 | \$3.98 | - | - |
| HL36FS-BP | Metal back plate for 36 module flush mount load centres | EA | \$42.69 | \$4.27 | - | - |
| HL48FS-BP | Metal back plate for 48 module flush mount load centres | EA | \$46.04 | \$4.60 | - | - |
| 01491 | Locking accessory for 12 to 48 module load centres | EA | \$33.13 | \$3.31 | - | 50 |
| 601206 | Spare door for 12 module load centres | EA | \$31.36 | \$3.14 | - | 10 |
| 601207 | Spare door for 24 module load centres | EA | \$31.36 | \$3.14 | - | 8 |
| 601208 | Spare door for 36 module load centres | EA | \$52.11 | \$5.21 | - | 4 |
| 601209 | Spare door for 48 module load centres | EA | \$132.92 | \$13.29 | - | - |



New product



Energy Saving products



More info available.
See technical pages



Coming soon



Product to be discontinued

Distribution boards

Distribution boards IP42



DB36P250M0800H



DB24P250M0800HO



DB36P250M0800HO

| Cat.Nos | 1 DIN standard with main switch | UoM | Trade price \$ | GST \$ | Box qty | Carton qty |
|---|--|-----|----------------|----------|---------|------------|
| Grey | | | | | | |
| DB24P250M0800H | 24P 250A IP42 800Hx590Wx225Dmm | EA | \$1,784.32 | \$178.43 | - | - |
| DB36P250M0800H | 36P 250A IP42 800Hx590Wx225Dmm | EA | \$2,001.09 | \$200.11 | - | - |
| DB48P250M1000H | 48P 250A IP42 1000Hx590Wx225Dmm | EA | \$2,038.27 | \$203.83 | - | - |
| DB60P250M1000H | 60P 250A IP42 1000Hx590Wx225Dmm | EA | \$2,322.33 | \$232.23 | - | - |
| DB72P250M1200H | 72P 250A IP42 1200Hx590Wx225Dmm | EA | \$2,499.52 | \$249.95 | - | - |
| DB84P250M1400H | 84P 250A IP42 1400Hx590Wx225Dmm | EA | \$2,649.52 | \$264.95 | - | - |
| Orange | | | | | | |
| DB24P250M0800HO | 24P 250A IP42 800Hx590Wx225Dmm | EA | \$1,784.32 | \$178.43 | - | - |
| DB36P250M0800HO | 36P 250A IP42 800Hx590Wx225Dmm | EA | \$2,001.09 | \$200.11 | - | - |
| DB48P250M1000HO | 48P 250A IP42 1000Hx590Wx225Dmm | EA | \$2,038.27 | \$203.83 | - | - |
| DB60P250M1000HO | 60P 250A IP42 1000Hx590Wx225Dmm | EA | \$2,322.33 | \$232.23 | - | - |
| DB72P250M1200HO | 72P 250A IP42 1200Hx590Wx225Dmm | EA | \$2,499.52 | \$249.95 | - | - |
| DB84P250M1400HO | 84P 250A IP42 1400Hx590Wx225Dmm | EA | \$2,649.52 | \$264.95 | - | - |
| 2 DIN standard with main switch | | | | | | |
| Grey | | | | | | |
| DB24PM2D0800H | 24P 250A 2 x DIN cut-outs IP42 800Hx590Wx225Dmm | EA | \$1,856.12 | \$185.61 | - | - |
| DB36PM2D1000H | 36P 250A 2 x DIN cut-outs IP42 1000Hx590Wx225Dmm | EA | \$2,167.94 | \$216.79 | - | - |
| DB48PM2D1200H | 48P 250A 2 x DIN cut-outs IP42 1200Hx590Wx225Dmm | EA | \$2,257.04 | \$225.70 | - | - |
| DB60PM2D1200H | 60P 250A 2 x DIN cut-outs IP42 1200Hx590Wx225Dmm | EA | \$2,390.68 | \$239.07 | - | - |
| DB72PM2D1400H | 72P 250A 2 x DIN cut-outs IP42 1400Hx590Wx225Dmm | EA | \$2,570.89 | \$257.09 | - | - |
| DB84PM2D1400H | 84P 250A 2 x DIN cut-outs IP42 1400Hx590Wx225Dmm | EA | \$2,827.98 | \$282.80 | - | - |
| DBEQUIP-2D400H | Equipment box 250A IP42 400Hx590Wx225Dmm | EA | \$1,530.10 | \$153.01 | - | - |
| 1 DIN split chassis with main switch | | | | | | |
| Grey | | | | | | |
| DB12/12P0800H | 12P+12P 250A IP42 1000Hx590Wx225Dmm | EA | \$1,957.72 | \$195.77 | - | - |
| DB24/24P1000H | 24P+24P 250A IP42 1000Hx590Wx225Dmm | EA | \$2,021.90 | \$202.19 | - | - |



New product



Energy Saving products



More info available. See technical pages



Coming soon



Product to be discontinued

Whilst most items are stock lines some products are made to order. UoM = Unit Of Measure. Prices are effective 1 June 2017 and are subject to change without notice. Trade prices exclude GST.

Distribution boards

Distribution boards IP42



DB12/12P08002D



DB12/24P10002D



DB12/12P08002DO

| Cat.Nos | 2 DIN split chassis with main switch | UoM | Trade price \$ | GST \$ | Box qty | Carton qty |
|-----------------|--------------------------------------|-----|----------------|----------|---------|------------|
| Grey | | | | | | |
| DB12/12P08002D | 12P+12P 250A IP42 800Hx590Wx225Dmm | EA | \$2,115.46 | \$211.55 | - | - |
| DB12/24P10002D | 12P+24P 250A IP42 1000Hx590Wx225Dmm | EA | \$2,230.87 | \$223.09 | - | - |
| DB12/36P12002D | 12P+36P 250A IP42 1200Hx590Wx225Dmm | EA | \$2,272.03 | \$227.20 | - | - |
| DB12/48P12002D | 12P+48P 250A IP42 1200Hx590Wx225Dmm | EA | \$2,587.97 | \$258.80 | - | - |
| DB12/60P14002D | 12P+60P 250A IP42 1400Hx590Wx225Dmm | EA | \$2,837.61 | \$283.76 | - | - |
| DB12/72P14002D | 12P+72P 250A IP42 1400Hx590Wx225Dmm | EA | \$3,007.69 | \$300.77 | - | - |
| DB24/24P12002D | 24P+24P 250A IP42 1200Hx590Wx225Dmm | EA | \$2,272.03 | \$227.20 | - | - |
| DB24/36P12002D | 24P+36P 250A IP42 1200Hx590Wx225Dmm | EA | \$2,587.97 | \$258.80 | - | - |
| DB24/48P14002D | 24P+48P 250A IP42 1400Hx590Wx225Dmm | EA | \$2,837.61 | \$283.76 | - | - |
| DB24/60P14002D | 24P+60P 250A IP42 1400Hx590Wx225Dmm | EA | \$3,007.69 | \$300.77 | - | - |
| DB36/36P14002D | 36P+36P 250A IP42 1400Hx590Wx225Dmm | EA | \$2,837.61 | \$283.76 | - | - |
| DB36/48P14002D | 36P+48P 250A IP42 1400Hx590Wx225Dmm | EA | \$3,007.69 | \$300.77 | - | - |
| Orange | | | | | | |
| DB12/12P08002DO | 12P+12P 250A IP42 800Hx590Wx225Dmm | EA | \$2,156.53 | \$215.65 | - | - |
| DB12/24P10002DO | 12+24P 250A IP42 1000Hx590Wx225Dmm | EA | \$2,274.19 | \$227.42 | - | - |
| DB12/36P12002DO | 12+36P 250A IP42 1200Hx590Wx225Dmm | EA | \$2,274.19 | \$227.42 | - | - |
| DB12/48P12002DO | 12+48P 250A IP42 1200Hx590Wx225Dmm | EA | \$2,638.22 | \$263.82 | - | - |
| DB12/60P14002DO | 12+60P 250A IP42 1400Hx590Wx225Dmm | EA | \$2,840.31 | \$284.03 | - | - |
| DB12/72P14002DO | 12+72P 250A IP42 1400Hx590Wx225Dmm | EA | \$3,010.56 | \$301.06 | - | - |
| DB24/24P12002DO | 24P+24P 250A IP42 1200Hx590Wx225Dmm | EA | \$2,274.19 | \$227.42 | - | - |
| DB24/36P12002DO | 24+36P 250A IP42 1200Hx590Wx225Dmm | EA | \$2,638.22 | \$263.82 | - | - |
| DB24/48P14002DO | 24+48P 250A IP42 1400Hx590Wx225Dmm | EA | \$2,840.31 | \$284.03 | - | - |
| DB24/60P14002DO | 24P+60P 250A IP42 1400Hx590Wx225Dmm | EA | \$3,010.56 | \$301.06 | - | - |
| DB36/36P14002DO | 36P+36P 250A IP42 1400Hx590Wx225Dmm | EA | \$2,840.31 | \$284.03 | - | - |
| DB36/48P14002DO | 36+48P 250A IP42 1400Hx590Wx225Dmm | EA | \$3,010.56 | \$301.06 | - | - |



New product



Energy Saving products



More info available.
See technical pages



Coming soon



Product to be discontinued

Distribution boards

Distribution boards IP55



HPM0800L2425F



DB24PM2D0800O

| Cat.Nos | 1 DIN standard with main switch | | UoM | Trade price \$ | GST \$ | Box qty | Carton qty |
|-----------------|---|--|-----|----------------|----------|---------|------------|
| | Grey | | | | | | |
| HPM0800L2425F | 24P 250A IP55 800Hx600Wx200Dmm | | EA | \$2,342.01 | \$234.20 | - | - |
| HPM0800L3625F | 36P 250A IP55 800Hx600Wx200Dmm | | EA | \$2,615.45 | \$261.54 | - | - |
| HPM1000L4825F | 48P 250A IP55 1000Hx600Wx200Dmm | | EA | \$2,811.56 | \$281.16 | - | - |
| HPM1000L6025F | 60P 250A IP55 1000Hx600Wx200Dmm | | EA | \$3,245.24 | \$324.52 | - | - |
| HPM1200L7225F | 72P 250A IP55 1200Hx600Wx200Dmm | | EA | \$3,565.81 | \$356.58 | - | - |
| HPM1200L8425F | 84P 250A IP55 1200Hx600Wx200Dmm | | EA | \$3,809.06 | \$380.91 | - | - |
| | 2 DIN standard with main switch | | | | | | |
| | Orange | | | | | | |
| DB24PM2D0800O | 24P 250A IP55 800Hx590Wx225Dmm | | EA | \$1,856.12 | \$185.61 | - | - |
| DB36PM2D1000O | 36P 250A IP55 1000Hx590Wx225Dmm | | EA | \$2,167.94 | \$216.79 | - | - |
| DB48PM2D1200O | 48P 250A IP55 1200Hx590Wx225Dmm | | EA | \$2,257.04 | \$225.70 | - | - |
| DB60PM2D1200O | 60P 250A IP55 1200Hx590Wx225Dmm | | EA | \$2,390.68 | \$239.07 | - | - |
| DB72PM2D1400O | 72P 250A IP55 1400Hx590Wx225Dmm | | EA | \$2,570.89 | \$257.09 | - | - |
| DB84PM2D1400O | 84P 250A IP55 1400Hx590Wx225Dmm | | EA | \$2,827.98 | \$282.80 | - | - |
| DB96PM2D1200O | 96P 250A IP55 1200Hx590Wx225Dmm | | EA | \$3,146.00 | \$314.60 | - | - |
| | Accessories | | | | | | |
| DBEQUIP-2D400H | Equipment box 250A IP42 Grey 400Hx590Wx225Dmm | | EA | \$1,530.10 | \$153.01 | - | - |
| DBEQUIP-2D400HO | Equipment box 250A IP42 Orange 400Hx590Wx225Dmm | | EA | \$1,530.10 | \$153.01 | - | - |



New product



Energy Saving products



More info available.
See technical pages



Coming soon



Product to be discontinued

Whilst most items are stock lines some products are made to order. UoM = Unit Of Measure.
Prices are effective 1 June 2017 and are subject to change without notice. Trade prices exclude GST.

Residential Load Centres



HLC Load Centres

Legrand's HLC range of load centres cover from 12 to 36 modules for flush and surface mounted installation for multi-dwelling units and houses.

The HLC range includes neutral and earth bars that are tested to AS/NZS 61439.3

For more information on our residential load centre range please contact your local Legrand representative.

Cabinets & Enclosures



Plexo³ cabinet

Solutions for specific applications

The design of Plexo³ IP65 cabinets makes them suitable for use in commercial or industrial applications, as well as in public and high rise buildings.

Plexo³ cabinets are available from 4 to 36 modules, and are supplied with IP2X earth and neutral terminal blocks.



Enclosures for all **corrosive** environments

Designed in fibreglass reinforced polyester, these enclosures are particularly suitable for corrosive environments: marine, petrochemical, food processing industries and provide excellent UV resistance.



Marina enclosures

Marina cabinets

For more information on the Marina enclosures please contact your local Legrand representative.



EQUIPMENT & ACCESSORIES

Industrial Plugs & Sockets



P. 68
Hypra IP66/67
Protected Outlets

Industrial Enclosures



P. 74
IP55
Plastic Box

Cable Ducting



P. 76
Lina 25
Cable Ducting

Marking System



P. 78
CAB3
Cable Marking
System

Terminal Blocks



P. 88
Viking™3
Terminal Blocks
with Screw
Connection

Ferrules



P. 91
Starfix™ Ferrules

FEATURED PRODUCTS



**Industrial Socket
Hypra IP66/67**
Refrigerated Container Unit
(p. 71)



**Industrial Enclosure
IP66**
Plastic Box
(p. 76)



P. 69
Hypra IP66/67
Switch Outlets



P. 70
Hypra IP66/67
Plugs



P. 71
Hypra IP44/55
Plugs



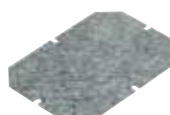
P. 72
Hypra
IP44/55/66/67
Sockets



P. 74
IP55
Junction Boxes



P. 74
IP66
Plastic Boxes



P. 74
Accessories



P. 76
TRANSCAB
Cable Ducting



P. 77
Spiral Binding



P. 85
MEMOCAB Cable
Marking System



P. 86
MEMOCAB Marker
Holders



P. 90
Viking™3 Accessories



P. 92
Starfix™ Crimping Tools



Viking™3
Terminal Blocks
(p. 90)

IEC industrial plugs and sockets

HYPRA IP66-67 protected outlet



59651



59657



59661

| Cat.Nos | RCBO protected outlets IP66/67 | UoM | Trade price \$ | GST \$ | Box qty | Carton qty |
|---------|--|-----|----------------|----------|---------|------------|
| | 2P+E | | | | | |
| 59651 | Combination switched socket /RCBO 2P+E 240V a.c. 16A grey | EA | \$1,010.37 | \$101.04 | - | - |
| 59655 | Combination switched socket /RCBO 2P+E 240V a.c. 32A grey | EA | \$1,111.61 | \$111.16 | - | - |
| | 3P+E | | | | | |
| 59652 | Combination switched socket /RCBO 3P+E 415V a.c. 16A grey | EA | \$1,253.32 | \$125.33 | - | - |
| 59657 | Combination switched socket /RCBO 3P+E 415V a.c. 32A grey | EA | \$1,395.08 | \$139.51 | - | - |
| 59659 | Combination switched socket /RCBO 3P+E 415V a.c. 63A grey | EA | \$2,052.22 | \$205.22 | - | - |
| | 3P+N+E | | | | | |
| 59653 | Combination switched socket /RCBO 3P+N+E 415V a.c. 16A grey | EA | \$1,273.61 | \$127.36 | - | - |
| 59658 | Combination switched socket /RCBO 3P+N+E 415V a.c. 32A grey | EA | \$1,415.30 | \$141.53 | - | - |
| | RCD protected outlets IP66/67 | | | | | |
| 59681 | Combination switched socket RCD protected 5 pin 415V a.c. 63A grey | EA | \$1,943.46 | \$194.35 | - | - |
| | MCB protected outlets IP66/67 | | | | | |
| | 2P+E | | | | | |
| 59661 | Combination switched socket/MCB 2P+E 240V a.c. 16A grey | EA | \$868.68 | \$86.87 | - | - |
| 59665 | Combination switched socket/MCB 2P+E 240V a.c. 32A grey | EA | \$929.39 | \$92.94 | - | - |
| | 3P+E | | | | | |
| 59662 | Combination switched socket /MCB 3P+E 415V a.c. 16A grey | EA | \$808.07 | \$80.81 | - | - |
| 59667 | Combination switched socket /MCB 3P+E 415V a.c. 32A grey | EA | \$990.17 | \$99.02 | - | - |
| 59669 | Combination switched socket /MCB 3P+E 415V a.c. 63A grey | EA | \$1,533.25 | \$153.32 | - | - |
| | 3P+N+E | | | | | |
| 59663 | Combination switched socket /MCB 3P+N+E 415V a.c. 16A grey | EA | \$929.39 | \$92.94 | - | - |
| 59668 | Combination switched socket /MCB 3P+N+E 415V a.c. 32A grey | EA | \$1,010.37 | \$101.04 | - | - |
| 59670 | Combination switched socket /MCB 3P+N+E 415V a.c. 63A grey | EA | \$1,800.71 | \$180.07 | - | - |



New product



Energy Saving products



More info available. See technical pages



Coming soon



Product to be discontinued

IEC industrial plugs and sockets

HYPRA IP66-67 switch outlets



59265



52936



52946

| Cat.Nos | Switched socket outlets IP66/67 | UoM | Trade price \$ | GST \$ | Box qty | Carton qty |
|---------|--|-----|----------------|----------|---------|------------|
| | 2P+E | | | | | |
| 59260 | Combination switched socket 2P+E 240V a.c. 16A grey | EA | \$460.07 | \$46.01 | - | - |
| 59263 | Combination switched socket 2P+E 240V a.c. 32A grey | EA | \$636.94 | \$63.69 | - | - |
| | 3P+E | | | | | |
| 59261 | Combination switched socket 3P+E 415V a.c. 16A grey | EA | \$529.87 | \$52.99 | - | - |
| 59264 | Combination switched socket 3P+E 415V a.c. 32A grey | EA | \$690.50 | \$69.05 | - | - |
| 59266 | Combination switched socket 3P+E 415V a.c. 63A grey | EA | \$1,008.59 | \$100.86 | - | - |
| | 3P+N+E | | | | | |
| 59262 | Combination switched socket 3P+N+E 415V a.c. 16A grey | EA | \$571.69 | \$57.17 | - | - |
| 59265 | Combination switched socket 3P+N+E 415V a.c. 32A grey | EA | \$773.81 | \$77.38 | - | - |
| 59267 | Combination switched socket 3P+N+E 415V a.c. 63A grey | EA | \$1,250.88 | \$125.09 | - | - |
| | Refrigerated container units IP66/67 | | | | | |
| 59695 | Combination switched socket refrigerated container 3P+E 415V a.c. 32A grey | EA | \$843.66 | \$84.37 | - | - |
| 52936 | Appliance inlet refrigerated container 3P+E 415V a.c. 32A grey | EA | \$92.91 | \$9.29 | - | 10 |
| 52946 | Straight plug refrigerated container 3P+E 415V a.c. 32A grey | EA | \$153.10 | \$15.31 | - | 10 |
| 52986 | Mobile socket refrigerated container 3P+E 415V a.c. 32A grey | EA | \$136.73 | \$13.67 | - | 10 |



New product



Energy Saving products



More info available. See technical pages



Coming soon



Product to be discontinued

Whilst most items are stock lines some products are made to order. UoM = Unit Of Measure. Prices are effective 1 June 2017 and are subject to change without notice. Trade prices exclude GST.

IEC industrial plugs and sockets

HYPRA IP66-67 plugs and appliance inlet



51110



51190



59477



51191



53056



53060

| Cat.Nos | | | UoM | Trade price \$ | GST \$ | Box qty | Carton qty |
|--------------------------------|--|--|-----|----------------|---------|---------|------------|
| Angled plugs IP66/67 | | | | | | | |
| 2P+E | | | | | | | |
| 51106 | Angled plug 2P+E 240V a.c. 16A grey | | EA | \$91.04 | \$9.10 | - | 10 |
| 53006 | Angled plug 2P+E 240V a.c. 32A grey | | EA | \$182.10 | \$18.21 | - | 10 |
| 3P+E | | | | | | | |
| 51110 | Angled plug 3P+E 415V a.c. 16A grey | | EA | \$144.95 | \$14.50 | - | 10 |
| 53010 | Angled plug 3P+E 415V a.c. 32A grey | | EA | \$161.67 | \$16.17 | - | 10 |
| 3P+N+E | | | | | | | |
| 51111 | Straight plug 3P+N+E 415V a.c. 16A grey | | EA | \$176.51 | \$17.65 | - | 10 |
| 53011 | Angled plug 3P+N+E 415V a.c. 32A grey | | EA | \$200.68 | \$20.07 | - | 10 |
| Appliance inlet IP66/67 | | | | | | | |
| 2P+E | | | | | | | |
| 53086 | Surface appliance inlet 2P+E 240V a.c. 32A grey | | EA | \$124.50 | \$12.45 | - | 10 |
| 59376 | Surface appliance inlet 2P+E 240V a.c. 63A grey | | EA | \$151.15 | \$15.12 | - | 6 |
| 3P+E | | | | | | | |
| 51190 | Surface appliance inlet 3P+E 415V a.c. 16A grey | | EA | \$109.08 | \$10.91 | - | 10 |
| 53090 | Surface appliance inlet 3P+E 415V a.c. 32A grey | | EA | \$143.63 | \$14.36 | - | 10 |
| 59477 | Straight panel appliance inlet 3P+E 415V a.c. 63A grey | | EA | \$198.87 | \$19.89 | - | 6 |
| 3P+N+E | | | | | | | |
| 51191 | Surface appliance inlet 3P+N+E 415V a.c. 16A grey | | EA | \$124.50 | \$12.45 | - | 10 |
| 53091 | Surface appliance inlet 3P+N+E 415V a.c. 32A grey | | EA | \$153.10 | \$15.31 | - | 10 |
| 59478 | Straight panel appliance inlet 3P+N+E 415V a.c. 63A grey | | EA | \$211.69 | \$21.17 | - | 6 |
| Straight plugs IP66/67 | | | | | | | |
| 2P+E | | | | | | | |
| 53056 | Straight plug 2P+E 240V a.c. 32A grey | | EA | \$170.95 | \$17.10 | - | 10 |
| 59346 | Straight plug 2P+E 240V a.c. 63A grey | | EA | \$224.46 | \$22.45 | - | 5 |
| 3P+E | | | | | | | |
| 53060 | Straight plug 3P+E 415V a.c. 32A grey | | EA | \$152.20 | \$15.22 | - | 10 |
| 59347 | Straight plug 3P+E 240V a.c. 63A grey | | EA | \$231.50 | \$23.15 | - | 5 |
| 59447 | Straight plug 3P+E 415V a.c. 63A grey | | EA | \$308.61 | \$30.86 | - | 5 |
| 3P+N+E | | | | | | | |
| 51161 | Straight plug 3P+N+E 415V a.c. 16A grey | | EA | \$166.11 | \$16.61 | 5 | 20 |
| 53061 | Straight plug 3P+N+E 415V a.c. 32A grey | | EA | \$175.02 | \$17.50 | - | 10 |
| 59448 | Straight plug 3P+N+E 415V a.c. 63A grey | | EA | \$326.30 | \$32.63 | - | 5 |



New product



Energy Saving products

More info available.
See technical pages

Coming soon



Product to be discontinued

IEC industrial plugs and sockets

HYPRA IP44/55 plugs



52762

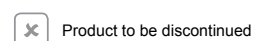
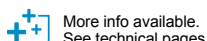
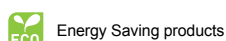
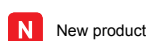


52042



52243

| Cat.Nos | | UoM | Trade price \$ | GST \$ | Box qty | Carton qty |
|-------------------------------|---|-----|----------------|---------|---------|------------|
| Angled plugs IP44/55 | | | | | | |
| 2P+E | | | | | | |
| 52762 | Angled plug 2P+E 240V a.c. 32A grey | EA | \$90.50 | \$9.05 | - | 10 |
| Straight plugs IP44/55 | | | | | | |
| 2P+E | | | | | | |
| 52042 | Straight plug 2P+E 240V a.c. 16A grey | EA | \$56.51 | \$5.65 | 5 | 50 |
| 52742 | Straight plug 2P+E 240V a.c. 32A grey | EA | \$79.01 | \$7.90 | - | 20 |
| 3P+E | | | | | | |
| 52243 | Straight plug 3P+E 415V a.c. 16A grey | EA | \$96.46 | \$9.65 | 5 | 50 |
| 52943 | Straight plug 3P+E 415V a.c. 32A grey | EA | \$115.21 | \$11.52 | 5 | 15 |
| 3P+N+E | | | | | | |
| 52244 | Straight plug 3P+N+E 415V a.c. 16A grey | EA | \$101.28 | \$10.13 | 5 | 50 |
| 52944 | Straight plug 3P+N+E 415V a.c. 32A grey | EA | \$135.65 | \$13.56 | 15 | 20 |



Whilst most items are stock lines some products are made to order. UoM = Unit Of Measure.
Prices are effective 1 June 2017 and are subject to change without notice. Trade prices exclude GST.

IEC industrial plugs and sockets

HYPRA IP66-67 sockets



51180



51126



53050

| Cat.Nos | Mobile sockets IP66/67 | | UoM | Trade price \$ | GST \$ | Box qty | Carton qty |
|---------|---|--|-----|----------------|---------|---------|------------|
| | 2P+E | | | | | | |
| 51176 | Mobile socket 2P+E 240V a.c. 16A grey | | EA | \$115.39 | \$11.54 | - | 20 |
| 53076 | Mobile socket 2P+E 240V a.c. 32A grey | | EA | \$244.73 | \$24.47 | - | 10 |
| 59386 | Mobile socket 2P+E 240V a.c. 63A grey | | EA | \$265.09 | \$26.51 | - | 5 |
| | 3P+E | | | | | | |
| 51180 | Mobile socket 3P+E 415V a.c. 16A grey | | EA | \$209.79 | \$20.98 | - | 12 |
| 53080 | Mobile socket 3P+E 415V a.c. 32A grey | | EA | \$221.13 | \$22.11 | - | 10 |
| 59387 | Mobile socket 3P+E 240V a.c. 63A grey | | EA | \$264.59 | \$26.46 | - | 5 |
| 59487 | Mobile socket 3P+E 415V a.c. 63A grey | | EA | \$319.84 | \$31.98 | - | 5 |
| | 3P+N+E | | | | | | |
| 51181 | Mobile socket 3P+N+E 415V a.c. 16A grey | | EA | \$227.28 | \$22.73 | - | 10 |
| 53081 | Mobile socket 3P+N+E 415V a.c. 32A grey | | EA | \$231.15 | \$23.12 | - | 10 |
| 59488 | Mobile socket 3P+N+E 415V a.c. 63A grey | | EA | \$376.15 | \$37.62 | - | 5 |
| | Panel mount socket IP66/67 | | | | | | |
| | 2P+E | | | | | | |
| 51126 | Panel mount inclined socket 2P+E 240V a.c. 16A grey | | EA | \$113.92 | \$11.39 | 5 | 50 |
| 51146 | Panel mount socket 2P+E 240V a.c. 16A grey | | EA | \$117.05 | \$11.70 | - | 30 |
| 53046 | Panel mount socket 2P+E 240V a.c. 32A grey | | EA | \$133.25 | \$13.32 | - | 12 |
| 59326 | Panel mount angled socket 2P+E 240V a.c. 63A grey | | EA | \$134.04 | \$13.40 | - | 10 |
| | 3P+E | | | | | | |
| 51130 | Panel mount angled socket 3P+E 415V a.c. 16A grey | | EA | \$117.81 | \$11.78 | - | 12 |
| 51150 | Panel mount socket 3P+E 415V a.c. 16A grey | | EA | \$120.79 | \$12.08 | - | 12 |
| 53050 | Panel mount socket 3P+E 415V a.c. 32A grey | | EA | \$125.07 | \$12.51 | - | 12 |
| 59327 | Panel mount angled socket 3P+E 240V a.c. 63A grey | | EA | \$134.73 | \$13.47 | - | 10 |
| 59427 | Panel mount angled socket 3P+E 415V a.c. 63A grey | | EA | \$194.10 | \$19.41 | - | 10 |
| | 3P+N+E | | | | | | |
| 51131 | Panel mount angled socket 3P+N+E 415V a.c. 16A grey | | EA | \$132.30 | \$13.23 | - | 12 |
| 51151 | Panel mount socket 3P+N+E 415V a.c. 16A grey | | EA | \$132.73 | \$13.27 | - | 12 |
| 59428 | Panel mount socket 3P+N+E 415V a.c. 63A grey | | EA | \$206.80 | \$20.68 | - | 10 |

IEC industrial plugs and sockets

HYPRA sockets



52283



52203



52702

| Cat.Nos | Surface mount socket IP66/67 | UoM | Trade price \$ | GST \$ | Box qty | Carton qty |
|---------|--|-----|----------------|---------|---------|------------|
| | 2P+E | | | | | |
| 59336 | Surface mount socket 2P+E 240V a.c. 63A grey | EA | \$525.77 | \$52.58 | - | - |
| | 3P+E | | | | | |
| 59337 | Surface mount socket 3P+E 240V a.c. 63A grey | EA | \$529.33 | \$52.93 | - | - |
| 59437 | Surface mount socket 3P+E 415V a.c. 63A grey | EA | \$525.22 | \$52.52 | - | - |
| | 3P+N+E | | | | | |
| 52229 | Surface mount socket 3P+N+E 415V a.c. 16A grey | EA | \$46.26 | \$4.63 | 5 | 50 |
| 53051 | Surface mount socket 3P+N+E 415V a.c. 32A grey | EA | \$138.98 | \$13.90 | - | 12 |
| 59438 | Surface mount socket 3P+N+E 415V a.c. 63A grey | EA | \$555.33 | \$55.53 | - | - |
| | Mobile sockets IP44/55 | | | | | |
| | 2P+E | | | | | |
| 52082 | Mobile socket 2P+E 240V a.c. 16A grey | EA | \$81.03 | \$8.10 | 5 | 50 |
| 52782 | Mobile socket 2P+E 240V a.c. 32A grey | EA | \$113.35 | \$11.34 | - | 10 |
| | 3P+E | | | | | |
| 52283 | Mobile socket 3P+E 415V a.c. 16A grey | EA | \$154.43 | \$15.44 | 5 | 50 |
| 52983 | Mobile socket 3P+E 415V a.c. 32A grey | EA | \$181.54 | \$18.15 | - | 10 |
| | 3P+N+E | | | | | |
| 52284 | Mobile socket 3P+N+E 415V a.c. 16A grey | EA | \$178.00 | \$17.80 | - | 20 |
| 52984 | Mobile socket 3P+N+E 415V a.c. 32A grey | EA | \$220.21 | \$22.02 | - | 12 |
| | Panel mount socket IP44/55 | | | | | |
| | 3P+E | | | | | |
| 52203 | Panel mount socket 3P+E 415V a.c. 16A grey | EA | \$277.68 | \$27.77 | - | 10 |
| 52919 | Panel mount socket 3P+E 415V a.c. 32A grey | EA | \$91.83 | \$9.18 | - | 12 |
| | 3P+N+E | | | | | |
| 52920 | Panel mount socket 3P+N+E 415V a.c. 32A grey | EA | \$117.81 | \$11.78 | - | 12 |
| | Surface mount socket IP44/45 | | | | | |
| | 2P+E | | | | | |
| 52702 | Surface mount socket 2P+E 240V a.c. 32A grey | EA | \$414.93 | \$41.49 | - | 6 |
| | 3P+E | | | | | |
| 52940 | Surface mount socket 3P+E 415V a.c. 32A grey | EA | \$100.63 | \$10.06 | - | 10 |
| 52949 | Surface mount socket 3P+E 415V a.c. 32A grey | EA | \$71.97 | \$7.20 | - | 10 |



New product



Energy Saving products

More info available.
See technical pages

Coming soon



Product to be discontinued

Whilst most items are stock lines some products are made to order. UoM = Unit Of Measure.
Prices are effective 1 June 2017 and are subject to change without notice. Trade prices exclude GST.

Industrial enclosures and equipment

Industrial plastic boxes IP23/IP55/IP66



WS44



35941



92100



92122



35013

| Cat.Nos | | UoM | Trade price \$ | GST \$ | Box qty | Carton qty |
|----------------------------|---|-----|----------------|---------|---------|------------|
| IP23 plastic boxes | | | | | | |
| WS44 | Flush mount IP23 130x130x74mm plastic grey/clear lid | EA | \$32.14 | \$3.21 | - | 30 |
| WS44S | Surface mount IP23 153x104x82mm plastic grey/clear lid | EA | \$43.72 | \$4.37 | - | 30 |
| IP55 plastic boxes | | | | | | |
| 35043 | Plastic box 265Hx174Wx154Dmm no knock-outs IP55 | EA | \$142.77 | \$14.28 | - | 2 |
| 35054 | Plastic box 310Hx240Wx160Dmm no knock-outs IP55 | EA | \$196.34 | \$19.63 | - | - |
| 35058 | Plastic box 359Hx265Wx154Dmm no knock-outs IP55 | EA | \$232.53 | \$23.25 | - | - |
| 35900 | Plastic box 130Hx75Wx74Dmm no knock-outs IP55 | EA | \$30.47 | \$3.05 | - | 10 |
| 35901 | Plastic box 130Hx75Wx74Dmm transparent cover no knock-outs IP55 | EA | \$36.21 | \$3.62 | - | 10 |
| 35930 | Plastic box 130Hx130Wx74Dmm no knock-outs IP55 | EA | \$38.05 | \$3.80 | - | 10 |
| 35931 | Plastic box 130Hx130Wx74Dmm transparent cover no knock-outs IP55 | EA | \$45.62 | \$4.56 | - | 10 |
| 35940 | Plastic box 155Hx110Wx74Dmm no knock-outs IP55 | EA | \$37.15 | \$3.72 | - | 10 |
| 35941 | Plastic box 155Hx110Wx74Dmm transparent cover no knock-outs IP55 | EA | \$45.62 | \$4.56 | - | 10 |
| 35950 | Plastic box 180Hx140Wx86Dmm no knock-outs IP55 | EA | \$43.66 | \$4.37 | - | 5 |
| 35951 | Plastic box 180Hx140Wx86Dmm transparent cover no knock-outs IP55 | EA | \$54.29 | \$5.43 | - | 5 |
| 35960 | Plastic box 220Hx170Wx86Dmm no knock-outs IP55 | EA | \$55.74 | \$5.57 | - | 5 |
| 35970 | Plastic box 270Hx170Wx86Dmm no knock-outs IP55 | EA | \$83.69 | \$8.37 | - | 2 |
| 35971 | Plastic box 270Hx170Wx86Dmm transparent cover no knock-outs IP55 | EA | \$95.15 | \$9.52 | - | 2 |
| 35980 | Plastic box 310Hx240Wx124Dmm no knock-outs IP55 | EA | \$139.45 | \$13.94 | - | 2 |
| 35981 | Plastic box 310Hx240Wx124Dmm transparent cover no knock-outs IP55 | EA | \$153.36 | \$15.34 | - | 2 |
| 35990 | Plastic box 360Hx270Wx124Dmm no knock-outs IP55 | EA | \$176.62 | \$17.66 | - | - |
| 35991 | Plastic box 360Hx270Wx124Dmm transparent cover no knock-outs IP55 | EA | \$199.86 | \$19.99 | - | - |
| IP55 junction boxes | | | | | | |
| 092001 | Junction box plastic round 60x40mm with 4 cable glands IP55 | EA | \$6.35 | \$0.64 | 5 | 100 |
| 92122 | Junction box plastic 220Hx170Wx140Dmm undrilled IP55 | EA | \$77.74 | \$7.77 | - | 2 |
| 092024 | Junction box plastic 105Hx105Wx55Dmm with knock-outs IP55 | EA | \$15.75 | \$1.58 | 5 | 30 |
| 092020 | Junction box plastic 105Hx105Wx55Dmm undrilled IP55 | EA | \$14.80 | \$1.48 | 5 | 50 |
| IP66 plastic boxes | | | | | | |
| 35007 | Plastic box 130Hx75Wx74Dmm no knock-outs IP66 | EA | \$38.05 | \$3.80 | - | 10 |
| 35013 | Plastic box 130Hx130Wx74Dmm no knock-outs IP66 | EA | \$47.65 | \$4.76 | - | 10 |
| 35017 | Plastic box 155Hx110Wx74Dmm no knock-outs IP66 | EA | \$47.65 | \$4.76 | - | 10 |
| 35022 | Plastic box 180Hx140Wx86Dmm no knock-outs IP66 | EA | \$57.07 | \$5.71 | - | 5 |
| 35028 | Plastic box 220Hx170Wx86Dmm no knock-outs IP66 | EA | \$76.09 | \$7.61 | - | 5 |



New product



Energy Saving products



More info available.
See technical pages



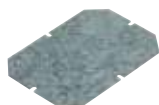
Coming soon



Product to be discontinued

Industrial enclosures and equipment

Industrial plastic boxes IP55/IP66, accessories



35810



35814



35802



34221

| Cat.Nos | | UoM | Trade price \$ | GST \$ | Box qty | Carton qty |
|--|--|-----|----------------|---------|---------|------------|
| IP66 plastic boxes | | | | | | |
| 35033 | Plastic box 270Hx170Wx86Dmm no knock-outs IP66 | EA | \$104.73 | \$10.47 | - | 2 |
| 35044 | Plastic box 310Hx240Wx124Dmm no knock-outs IP66 | EA | \$171.22 | \$17.12 | - | 2 |
| 35047 | Plastic box 360Hx270Wx124Dmm no knock-outs IP66 | EA | \$218.86 | \$21.89 | - | - |
| Accessories | | | | | | |
| Metal mounting plates - 1.5mm thickness | | | | | | |
| 35810 | 130x130mm for IP55/66 plastic boxes 350xx/359xx series | EA | \$17.01 | \$1.70 | 5 | 60 |
| 35811 | 155x110mm for IP55/66 plastic boxes 350xx/359xx series | EA | \$17.17 | \$1.72 | 5 | 50 |
| 35812 | 180x140mm for IP55/66 plastic boxes 350xx/359xx series | EA | \$19.95 | \$2.00 | 5 | 40 |
| 35813 | 220x170mm for IP55/66 plastic boxes 350xx/359xx series | EA | \$24.76 | \$2.48 | 5 | 30 |
| 35814 | 270x170mm for IP55/66 plastic boxes 350xx/359xx series | EA | \$26.60 | \$2.66 | 5 | 20 |
| 35815 | 310x240mm for IP55/66 plastic boxes 350xx/359xx series | EA | \$32.32 | \$3.23 | 5 | 10 |
| 35816 | 360x270mm for IP55/66 plastic boxes 350xx/359xx series | EA | \$40.79 | \$4.08 | 5 | 10 |
| Wall lugs | | | | | | |
| 35802 | Wall lugs for enclosures with a width above 110mm set of 4 | EA | \$19.03 | \$1.90 | - | 10 |
| Hinges | | | | | | |
| 35800 | Hinges UV protected polyaide for 130X130 to 270X170mm enclosures | EA | \$16.48 | \$1.65 | - | 20 |
| 35801 | Hinges UV protected polyaide for 310x240 to 360x270mm enclosures | EA | \$21.98 | \$2.20 | - | 20 |
| Plastic conduit entry fittings for weatherproof boxes | | | | | | |
| C20S20P | Adaptor 20mm threaded conduit to box with 20mm plain entry white | EA | \$3.21 | \$0.32 | 25 | - |
| C25S25P | Adaptor 25mm threaded conduit to box with 25mm plain entry white | EA | \$4.01 | \$0.40 | 25 | - |
| C20PS25P | Adaptor 20mm plain/threaded conduit to box with 25mm plain entry white | EA | \$4.23 | \$0.42 | 25 | - |
| Terminal Strips | | | | | | |
| 34221 | White terminal strip 4mm ² | EA | \$9.10 | \$0.91 | 10 | - |



New product



Energy Saving products

More info available.
See technical pages

Coming soon



Product to be discontinued

Whilst most items are stock lines some products are made to order. UoM = Unit Of Measure.
Prices are effective 1 June 2017 and are subject to change without notice. Trade prices exclude GST.

Cable ducting

Duct with cover



36201

636106

636117

| Cat.Nos | Duct with cover - 2 metre length | | UoM | Trade price \$ | GST \$ | Box qty | Carton qty |
|----------------------|--|--|-----|----------------|---------|---------|------------|
| Lina 25 blue | | | | | | | |
| 36201 | 25x40mm 2m 12.5mm finger DIN pitch with cover blue | | LEN | \$24.28 | \$2.43 | - | 56* |
| 36213 | 60x80mm 2m 12.5mm finger DIN pitch with cover blue | | LEN | \$38.01 | \$3.80 | - | 56* |
| Transcab grey | | | | | | | |
| 636095 | 15x25mm 2m 12.5mm finger DIN pitch with cover grey | | LEN | \$50.87 | \$5.09 | - | 32* |
| 636096 | 15x40mm 2m 12.5mm finger DIN pitch with cover grey | | LEN | \$52.75 | \$5.28 | - | 40* |
| 636100 | 25x25mm 2m 12.5mm finger DIN pitch with cover grey | | LEN | \$23.91 | \$2.39 | - | 60* |
| 636101 | 25x40mm 2m 12.5mm finger DIN pitch with cover grey | | LEN | \$24.71 | \$2.47 | - | 56* |
| 636102 | 25x60mm 2m 12.5mm finger DIN pitch with cover grey | | LEN | \$25.78 | \$2.58 | - | 56* |
| 636103 | 25x80mm 2m 12.5mm finger DIN pitch with cover grey | | LEN | \$30.09 | \$3.01 | - | 40* |
| 636105 | 40x25mm 2m 12.5mm finger DIN pitch with cover grey | | LEN | \$28.82 | \$2.88 | - | 56* |
| 636106 | 40x40mm 2m 12.5mm finger DIN pitch with cover grey | | LEN | \$28.25 | \$2.82 | - | 48* |
| 636107 | 40x60mm 2m 12.5mm finger DIN pitch with cover grey | | LEN | \$27.85 | \$2.78 | - | 48* |
| 636108 | 40x80mm 2m 12.5mm finger DIN pitch with cover grey | | LEN | \$30.81 | \$3.08 | - | 20* |
| 636109 | 40x100mm 2m 12.5mm finger DIN pitch with cover grey | | LEN | \$43.25 | \$4.32 | - | 24* |
| 636111 | 60x40mm 2m 12.5mm finger DIN pitch with cover grey | | LEN | \$35.38 | \$3.54 | - | 32* |
| 636112 | 60x60mm 2m 12.5mm finger DIN pitch with cover grey | | LEN | \$34.29 | \$3.43 | - | 32* |
| 636113 | 60x80mm 2m 12.5mm finger DIN pitch with cover grey | | LEN | \$37.12 | \$3.71 | - | 32* |
| 636114 | 60x100mm 2m 12.5mm finger DIN pitch with cover grey | | LEN | \$55.73 | \$5.57 | - | 24* |
| 636115 | 80x40mm 2m 12.5mm finger DIN pitch with cover grey | | LEN | \$77.56 | \$7.76 | - | 24* |
| 636116 | 80x60mm 2m 12.5mm finger DIN pitch with cover grey | | LEN | \$50.08 | \$5.01 | - | 24* |
| 636117 | 80x80mm 2m 12.5mm finger DIN pitch with cover grey | | LEN | \$53.41 | \$5.34 | - | 24* |
| 636118 | 80x100mm 2m 12.5mm finger DIN pitch with cover grey | | LEN | \$73.35 | \$7.34 | - | 20* |
| 636119 | 100x40mm 2m 12.5mm finger DIN pitch with cover grey | | LEN | \$98.63 | \$9.86 | - | 24* |
| 636120 | 100x60mm 2m 12.5mm finger DIN pitch with cover grey | | LEN | \$61.80 | \$6.18 | - | 24* |
| 636121 | 100x80mm 2m 12.5mm finger DIN pitch with cover grey | | LEN | \$58.89 | \$5.89 | - | 16* |
| 636122 | 100x100mm 2m 12.5mm finger DIN pitch with cover grey | | LEN | \$81.16 | \$8.12 | - | 16* |
| 636123 | 150x100mm 2m 12.5mm finger DIN pitch with cover grey | | LEN | \$106.63 | \$10.66 | - | 12* |
| 636124 | 120x60mm 2m 12.5mm finger DIN pitch with cover grey | | LEN | \$92.56 | \$9.26 | - | 16* |
| 636125 | 120x80mm 2m 12.5mm finger DIN pitch with cover grey | | LEN | \$79.67 | \$7.97 | - | 16* |

*Number of metres per pack



New product



Energy Saving products

More info available.
See technical pages

Coming soon



Product to be discontinued

Cable ducting

Duct with cover



636207



636212



636178

| Cat.Nos | Duct with cover - 2 metre length | | UoM | Trade price \$ | GST \$ | Box qty | Carton qty |
|---------|---|--|-----|----------------|---------|---------|------------|
| | Transcab halogen free light grey | | | | | | |
| 636206 | Halogen free PVC 40x40mm 2m | | LEN | \$86.36 | \$8.64 | - | 48* |
| 636207 | Halogen free PVC 40x60mm 2m | | LEN | \$91.13 | \$9.11 | - | 48* |
| 636212 | Halogen free PVC 60x60mm 2m | | LEN | \$111.34 | \$11.13 | - | 32* |
| | Accessories | | | | | | |
| 636177 | Spiral binding 6mm 25m rolls | | RL | \$64.63 | \$6.46 | - | 250* |
| 636178 | Spiral binding 12mm 25m rolls | | RL | \$158.45 | \$15.84 | - | 250* |

*Number of metres per pack



New product



Energy Saving products



More info available.
See technical pages



Coming soon



Product to be discontinued

Whilst most items are stock lines some products are made to order. UoM = Unit Of Measure.
Prices are effective 1 June 2017 and are subject to change without notice. Trade prices exclude GST.

Marking system

CAB3 Cable markers



38106

38110

38128

| Cat.Nos | Markers for terminal blocks and wiring 0.15 to 0.5mm ² | UoM | Trade price \$ | GST \$ | Box qty | Carton qty |
|---|---|-----|----------------|--------|---------|------------|
| Numbers - colour code | | | | | | |
| 38100 | 0.15-0.5mm ² black number 0 pack of 1000 | PAK | \$85.42 | \$8.54 | - | 50000 |
| 38101 | 0.15-0.5mm ² brown number 1 pack of 1000 | PAK | \$85.42 | \$8.54 | - | 50000 |
| 38102 | 0.15-0.5mm ² red number 2 pack of 1000 | PAK | \$85.42 | \$8.54 | - | 50000 |
| 38103 | 0.15-0.5mm ² orange number 3 pack of 1000 | PAK | \$85.42 | \$8.54 | - | 50000 |
| 38104 | 0.15-0.5mm ² yellow number 4 pack of 1000 | PAK | \$85.42 | \$8.54 | - | 50000 |
| 38105 | 0.15-0.5mm ² green number 5 pack of 1000 | PAK | \$85.42 | \$8.54 | - | 50000 |
| 38106 | 0.15-0.5mm ² blue number 6 pack of 1000 | PAK | \$85.42 | \$8.54 | - | 50000 |
| 38107 | 0.15-0.5mm ² purple number 7 pack of 1000 | PAK | \$85.42 | \$8.54 | - | 50000 |
| 38108 | 0.15-0.5mm ² grey number 8 pack of 1000 | PAK | \$85.42 | \$8.54 | - | 50000 |
| 38109 | 0.15-0.5mm ² white number 9 pack of 1000 | PAK | \$85.42 | \$8.54 | - | 50000 |
| Black letters on yellow background | | | | | | |
| 38110 | 0.15-0.5mm ² letter A pack of 300 | PAK | \$25.48 | \$2.55 | - | 30000 |
| 38111 | 0.15-0.5mm ² letter B pack of 300 | PAK | \$25.13 | \$2.51 | - | 30000 |
| 38112 | 0.15-0.5mm ² letter C pack of 300 | PAK | \$25.13 | \$2.51 | - | 30000 |
| 38113 | 0.15-0.5mm ² letter D pack of 300 | PAK | \$25.48 | \$2.55 | - | 30000 |
| 38114 | 0.15-0.5mm ² letter E pack of 300 | PAK | \$25.48 | \$2.55 | - | 30000 |
| 38115 | 0.15-0.5mm ² letter F pack of 300 | PAK | \$25.48 | \$2.55 | - | 30000 |
| 38116 | 0.15-0.5mm ² letter G pack of 300 | PAK | \$25.48 | \$2.55 | - | 30000 |
| 38117 | 0.15-0.5mm ² letter H pack of 300 | PAK | \$25.48 | \$2.55 | - | 30000 |
| 38118 | 0.15-0.5mm ² letter I pack of 300 | PAK | \$25.48 | \$2.55 | - | 30000 |
| 38119 | 0.15-0.5mm ² letter J pack of 300 | PAK | \$25.48 | \$2.55 | - | 30000 |
| 38120 | 0.15-0.5mm ² letter K pack of 300 | PAK | \$25.13 | \$2.51 | - | 30000 |
| 38121 | 0.15-0.5mm ² letter L pack of 300 | PAK | \$25.48 | \$2.55 | - | 30000 |
| 38122 | 0.15-0.5mm ² letter M pack of 300 | PAK | \$25.13 | \$2.51 | - | 30000 |
| 38123 | 0.15-0.5mm ² letter N pack of 300 | PAK | \$25.48 | \$2.55 | - | 30000 |
| 38124 | 0.15-0.5mm ² letter O pack of 300 | PAK | \$25.48 | \$2.55 | - | 30000 |
| 38125 | 0.15-0.5mm ² letter P pack of 300 | PAK | \$25.48 | \$2.55 | - | 30000 |
| 38126 | 0.15-0.5mm ² letter Q pack of 300 | EA | \$27.10 | \$2.71 | - | 30000 |
| 38127 | 0.15-0.5mm ² letter R pack of 300 | PAK | \$25.48 | \$2.55 | - | 30000 |
| 38128 | 0.15-0.5mm ² letter S pack of 300 | PAK | \$25.48 | \$2.55 | - | 30000 |
| 38129 | 0.15-0.5mm ² letter T pack of 300 | PAK | \$25.48 | \$2.55 | - | 30000 |
| 38130 | 0.15-0.5mm ² letter U pack of 300 | PAK | \$25.48 | \$2.55 | - | 30000 |



New product



Energy Saving products



More info available. See technical pages



Coming soon



Product to be discontinued

Marking system

CAB3 Cable markers



38140

38143

38212

| Cat.Nos | Markers for terminal blocks and wiring 0.15 to 0.5mm ² | UoM | Trade price \$ | GST \$ | Box qty | Carton qty |
|--|---|-----|----------------|---------|---------|------------|
| Black letters on yellow background | | | | | | |
| 38131 | 0.15-0.5mm ² letter V pack of 300 | PAK | \$25.13 | \$2.51 | - | 30000 |
| 38132 | 0.15-0.5mm ² letter W pack of 300 | PAK | \$25.48 | \$2.55 | - | 30000 |
| 38133 | 0.15-0.5mm ² letter Y pack of 300 | PAK | \$25.13 | \$2.51 | - | 30000 |
| 38134 | 0.15-0.5mm ² letter X pack of 300 | PAK | \$25.48 | \$2.55 | - | 30000 |
| 38135 | 0.15-0.5mm ² letter Z pack of 300 | PAK | \$25.48 | \$2.55 | - | 30000 |
| Black symbols on yellow background | | | | | | |
| 38140 | 0.15-0.5mm ² symbol / pack of 300 | PAK | \$25.48 | \$2.55 | - | 30000 |
| 38141 | 0.15-0.5mm ² symbol . pack of 300 | PAK | \$25.48 | \$2.55 | - | 30000 |
| 38142 | 0.15-0.5mm ² symbol + pack of 300 | PAK | \$25.48 | \$2.55 | - | 30000 |
| 38143 | 0.15-0.5mm ² symbol - pack of 300 | PAK | \$25.48 | \$2.55 | - | 30000 |
| 38144 | 0.15-0.5mm ² symbol ~ pack of 300 | PAK | \$25.48 | \$2.55 | - | 30000 |
| 38145 | 0.15-0.5mm ² symbol DC pack of 300 | PAK | \$25.48 | \$2.55 | - | 30000 |
| 38146 | 0.15-0.5mm ² symbol earth pack of 300 | PAK | \$25.48 | \$2.55 | - | 30000 |
| Markers for terminal blocks and wiring 0.5 to 1.5mm² | | | | | | |
| Numbers - colour code | | | | | | |
| 38210 | 0.5-1.5mm ² black number 0 pack of 1200 | PAK | \$102.52 | \$10.25 | - | 60000 |
| 38211 | 0.5-1.5mm ² brown number 1 pack of 1200 | PAK | \$102.52 | \$10.25 | - | 60000 |
| 38212 | 0.5-1.5mm ² red number 2 pack of 1200 | PAK | \$102.52 | \$10.25 | - | 60000 |
| 38213 | 0.5-1.5mm ² orange number 3 pack of 1200 | PAK | \$102.52 | \$10.25 | - | 60000 |
| 38214 | 0.5-1.5mm ² yellow number 4 pack of 1200 | PAK | \$102.52 | \$10.25 | - | 60000 |
| 38215 | 0.5-1.5mm ² green number 5 pack of 1200 | PAK | \$102.52 | \$10.25 | - | 60000 |
| 38216 | 0.5-1.5mm ² blue number 6 pack of 1200 | PAK | \$102.52 | \$10.25 | - | 60000 |
| 38217 | 0.5-1.5mm ² purple number 7 pack of 1200 | PAK | \$102.52 | \$10.25 | - | 60000 |
| 38218 | 0.5-1.5mm ² grey number 8 pack of 1200 | PAK | \$102.52 | \$10.25 | - | 60000 |
| 38219 | 0.5-1.5mm ² white number 9 pack of 1200 | PAK | \$102.52 | \$10.25 | - | 60000 |
| Black letters on yellow background | | | | | | |
| 38300 | 0.5-1.5mm ² letter A pack of 300 | PAK | \$25.13 | \$2.51 | - | 30000 |
| 38301 | 0.5-1.5mm ² letter B pack of 300 | PAK | \$25.13 | \$2.51 | - | 30000 |
| 38302 | 0.5-1.5mm ² letter C pack of 300 | PAK | \$25.13 | \$2.51 | - | 30000 |
| 38303 | 0.5-1.5mm ² letter D pack of 300 | PAK | \$25.13 | \$2.51 | - | 30000 |
| 38304 | 0.5-1.5mm ² letter E pack of 300 | PAK | \$25.13 | \$2.51 | - | 30000 |



New product



Energy Saving products

More info available.
See technical pages

Coming soon



Product to be discontinued

Whilst most items are stock lines some products are made to order. UoM = Unit Of Measure.
Prices are effective 1 June 2017 and are subject to change without notice. Trade prices exclude GST.

Marking system

CAB3 Cable markers



38312

38317

38272

| Cat.Nos | Markers for terminal blocks and wiring 0.5 to 1.5mm ² | UoM | Trade price \$ | GST \$ | Box qty | Carton qty |
|---|--|-----|----------------|--------|---------|------------|
| Black letters on yellow background | | | | | | |
| 38305 | 0.5-1.5mm ² letter F pack of 300 | PAK | \$25.13 | \$2.51 | - | 30000 |
| 38306 | 0.5-1.5mm ² letter G pack of 300 | PAK | \$25.13 | \$2.51 | - | 30000 |
| 38307 | 0.5-1.5mm ² letter H pack of 300 | PAK | \$25.13 | \$2.51 | - | 30000 |
| 38308 | 0.5-1.5mm ² letter I pack of 300 | PAK | \$25.13 | \$2.51 | - | 30000 |
| 38309 | 0.5-1.5mm ² letter J pack of 300 | PAK | \$25.13 | \$2.51 | - | 30000 |
| 38310 | 0.5-1.5mm ² letter K pack of 300 | PAK | \$25.13 | \$2.51 | - | 30000 |
| 38311 | 0.5-1.5mm ² letter L pack of 300 | PAK | \$25.13 | \$2.51 | - | 30000 |
| 38312 | 0.5-1.5mm ² letter M pack of 300 | PAK | \$25.13 | \$2.51 | - | 30000 |
| 38313 | 0.5-1.5mm ² letter N pack of 300 | PAK | \$25.13 | \$2.51 | - | 30000 |
| 38314 | 0.5-1.5mm ² letter O pack of 300 | PAK | \$25.13 | \$2.51 | - | 30000 |
| 38315 | 0.5-1.5mm ² letter P pack of 300 | PAK | \$25.13 | \$2.51 | - | 30000 |
| 38316 | 0.5-1.5mm ² letter Q pack of 300 | PAK | \$25.13 | \$2.51 | - | 30000 |
| 38317 | 0.5-1.5mm ² letter R pack of 300 | PAK | \$25.13 | \$2.51 | - | 30000 |
| 38318 | 0.5-1.5mm ² letter S pack of 300 | PAK | \$25.13 | \$2.51 | - | 30000 |
| 38319 | 0.5-1.5mm ² letter T pack of 300 | PAK | \$25.13 | \$2.51 | - | 30000 |
| 38320 | 0.5-1.5mm ² letter U pack of 300 | PAK | \$25.13 | \$2.51 | - | 30000 |
| 38321 | 0.5-1.5mm ² letter V pack of 300 | PAK | \$25.13 | \$2.51 | - | 30000 |
| 38322 | 0.5-1.5mm ² letter W pack of 300 | PAK | \$25.13 | \$2.51 | - | 30000 |
| 38323 | 0.5-1.5mm ² letter Y pack of 300 | PAK | \$25.13 | \$2.51 | - | 30000 |
| 38324 | 0.5-1.5mm ² letter X pack of 300 | PAK | \$25.13 | \$2.51 | - | 30000 |
| 38325 | 0.5-1.5mm ² letter Z pack of 300 | PAK | \$25.13 | \$2.51 | - | 30000 |
| Black symbols on yellow background | | | | | | |
| 38270 | 0.5-1.5mm ² symbol / pack of 300 | PAK | \$25.13 | \$2.51 | - | 30000 |
| 38271 | 0.5-1.5mm ² symbol . pack of 300 | PAK | \$25.13 | \$2.51 | - | 30000 |
| 38272 | 0.5-1.5mm ² symbol + pack of 300 | PAK | \$25.13 | \$2.51 | - | 30000 |
| 38273 | 0.5-1.5mm ² symbol - pack of 300 | PAK | \$25.13 | \$2.51 | - | 30000 |
| 38274 | 0.5-1.5mm ² symbol ~ pack of 300 | PAK | \$25.48 | \$2.55 | - | 30000 |
| 38275 | 0.5-1.5mm ² symbol DC pack of 300 | PAK | \$25.48 | \$2.55 | - | 30000 |
| 38276 | 0.5-1.5mm ² symbol earth pack of 300 | PAK | \$25.13 | \$2.51 | - | 30000 |



New product



Energy Saving products



More info available. See technical pages



Coming soon



Product to be discontinued

Marking system

CAB3 Cable markers



38226

38229

38332

38346

| Cat.Nos | Markers for wiring 1.5 to 2.5 mm ² | UoM | Trade price \$ | GST \$ | Box qty | Carton qty |
|---|---|-----|----------------|---------|---------|------------|
| Numbers - colour code | | | | | | |
| 38220 | 1.5-2.5mm ² black number 0 pack of 1200 | PAK | \$102.52 | \$10.25 | - | 60000 |
| 38221 | 1.5-2.5mm ² brown number 1 pack of 1200 | PAK | \$102.52 | \$10.25 | - | 60000 |
| 38222 | 1.5-2.5mm ² red number 2 pack of 1200 | PAK | \$102.52 | \$10.25 | - | 60000 |
| 38223 | 1.5-2.5mm ² orange number 3 pack of 1200 | PAK | \$102.52 | \$10.25 | - | 60000 |
| 38224 | 1.5-2.5mm ² yellow number 4 pack of 1200 | PAK | \$102.52 | \$10.25 | - | 60000 |
| 38225 | 1.5-2.5mm ² green number 5 pack of 1200 | PAK | \$102.52 | \$10.25 | - | 60000 |
| 38226 | 1.5-2.5mm ² blue number 6 pack of 1200 | PAK | \$102.52 | \$10.25 | - | 60000 |
| 38227 | 1.5-2.5mm ² purple number 7 pack of 1200 | PAK | \$102.52 | \$10.25 | - | 60000 |
| 38228 | 1.5-2.5mm ² grey number 8 pack of 1200 | PAK | \$102.52 | \$10.25 | - | 60000 |
| 38229 | 1.5-2.5mm ² white number 9 pack of 1200 | PAK | \$102.52 | \$10.25 | - | 60000 |
| Black letters on yellow background | | | | | | |
| 38330 | 1.5-2.5mm ² letter A pack of 300 | PAK | \$25.13 | \$2.51 | - | 30000 |
| 38331 | 1.5-2.5mm ² letter B pack of 300 | PAK | \$25.13 | \$2.51 | - | 30000 |
| 38332 | 1.5-2.5mm ² letter C pack of 300 | PAK | \$25.13 | \$2.51 | - | 30000 |
| 38333 | 1.5-2.5mm ² letter D pack of 300 | PAK | \$25.13 | \$2.51 | - | 30000 |
| 38334 | 1.5-2.5mm ² letter E pack of 300 | PAK | \$25.48 | \$2.55 | - | 30000 |
| 38335 | 1.5-2.5mm ² letter F pack of 300 | PAK | \$25.13 | \$2.51 | - | 30000 |
| 38336 | 1.5-2.5mm ² letter G pack of 300 | PAK | \$25.13 | \$2.51 | - | 30000 |
| 38337 | 1.5-2.5mm ² letter H pack of 300 | PAK | \$25.13 | \$2.51 | - | 30000 |
| 38338 | 1.5-2.5mm ² letter I pack of 300 | PAK | \$25.13 | \$2.51 | - | 30000 |
| 38339 | 1.5-2.5mm ² letter J pack of 300 | PAK | \$25.13 | \$2.51 | - | 30000 |
| 38340 | 1.5-2.5mm ² letter K pack of 300 | PAK | \$25.13 | \$2.51 | - | 30000 |
| 38341 | 1.5-2.5mm ² letter L pack of 300 | PAK | \$25.13 | \$2.51 | - | 30000 |
| 38342 | 1.5-2.5mm ² letter M pack of 300 | PAK | \$25.13 | \$2.51 | - | 30000 |
| 38343 | 1.5-2.5mm ² letter N pack of 300 | PAK | \$25.13 | \$2.51 | - | 30000 |
| 38344 | 1.5-2.5mm ² letter O pack of 300 | PAK | \$25.13 | \$2.51 | - | 30000 |
| 38345 | 1.5-2.5mm ² letter P pack of 300 | PAK | \$25.13 | \$2.51 | - | 30000 |
| 38346 | 1.5-2.5mm ² letter Q pack of 300 | PAK | \$25.13 | \$2.51 | - | 30000 |
| 38347 | 1.5-2.5mm ² letter R pack of 300 | PAK | \$25.13 | \$2.51 | - | 30000 |
| 38348 | 1.5-2.5mm ² letter S pack of 300 | PAK | \$25.13 | \$2.51 | - | 30000 |
| 38349 | 1.5-2.5mm ² letter T pack of 300 | PAK | \$25.13 | \$2.51 | - | 30000 |
| 38350 | 1.5-2.5mm ² letter U pack of 300 | PAK | \$25.13 | \$2.51 | - | 30000 |
| 38351 | 1.5-2.5mm ² letter V pack of 300 | PAK | \$25.13 | \$2.51 | - | 30000 |



New product



Energy Saving products

More info available.
See technical pages

Coming soon



Product to be discontinued

Whilst most items are stock lines some products are made to order. UoM = Unit Of Measure.
Prices are effective 1 June 2017 and are subject to change without notice. Trade prices exclude GST.

Marking system

CAB3 Cable markers



38353

38235

38364

| Cat.Nos | Markers for wiring 1.5 to 2.5mm ² | UoM | Trade price \$ | GST \$ | Box qty | Carton qty |
|--|---|-----|----------------|---------|---------|------------|
| Black letters on yellow background | | | | | | |
| 38352 | 1.5-2.5mm ² letter W pack of 300 | PAK | \$25.13 | \$2.51 | - | 30000 |
| 38353 | 1.5-2.5mm ² letter Y pack of 300 | PAK | \$25.13 | \$2.51 | - | 30000 |
| 38354 | 1.5-2.5mm ² letter X pack of 300 | PAK | \$25.13 | \$2.51 | - | 30000 |
| 38355 | 1.5-2.5mm ² letter Z pack of 300 | PAK | \$25.13 | \$2.51 | - | 30000 |
| Black symbols on yellow background | | | | | | |
| 38280 | 1.5-2.5mm ² symbol / pack of 300 | PAK | \$25.48 | \$2.55 | - | 30000 |
| 38281 | 1.5-2.5mm ² symbol . pack of 300 | PAK | \$25.48 | \$2.55 | - | 30000 |
| 38282 | 1.5-2.5mm ² symbol + pack of 300 | PAK | \$25.13 | \$2.51 | - | 30000 |
| 38283 | 1.5-2.5mm ² symbol - pack of 300 | PAK | \$25.13 | \$2.51 | - | 30000 |
| 38284 | 1.5-2.5mm ² symbol ~ pack of 300 | PAK | \$25.48 | \$2.55 | - | 30000 |
| 38285 | 1.5-2.5mm ² symbol DC pack of 300 | PAK | \$25.13 | \$2.51 | - | 30000 |
| 38286 | 1.5-2.5mm ² symbol earth pack of 300 | PAK | \$25.13 | \$2.51 | - | 30000 |
| Markers for wiring 4 to 6mm² | | | | | | |
| Numbers - colour code | | | | | | |
| 38230 | 4-6mm ² black number 0 pack of 800 | PAK | \$126.72 | \$12.67 | - | 40000 |
| 38231 | 4-6mm ² brown number 1 pack of 800 | PAK | \$126.72 | \$12.67 | - | 40000 |
| 38232 | 4-6mm ² red number 2 pack of 800 | PAK | \$126.72 | \$12.67 | - | 40000 |
| 38233 | 4-6mm ² orange number 3 pack of 800 | PAK | \$126.72 | \$12.67 | - | 40000 |
| 38234 | 4-6mm ² yellow number 4 pack of 800 | PAK | \$126.72 | \$12.67 | - | 40000 |
| 38235 | 4-6mm ² green number 5 pack of 800 | PAK | \$126.72 | \$12.67 | - | 40000 |
| 38236 | 4-6mm ² blue number 6 pack of 800 | PAK | \$126.72 | \$12.67 | - | 40000 |
| 38237 | 4-6mm ² purple number 7 pack of 800 | PAK | \$126.72 | \$12.67 | - | 40000 |
| 38238 | 4-6mm ² grey number 8 pack of 800 | PAK | \$126.72 | \$12.67 | - | 40000 |
| 38239 | 4-6mm ² white number 9 pack of 800 | PAK | \$126.72 | \$12.67 | - | 40000 |
| Black letters on yellow background | | | | | | |
| 38360 | 4-6mm ² letter A pack of 300 | PAK | \$47.32 | \$4.73 | - | 30000 |
| 38361 | 4-6mm ² letter B pack of 300 | PAK | \$47.32 | \$4.73 | - | 30000 |
| 38362 | 4-6mm ² letter C pack of 300 | PAK | \$47.32 | \$4.73 | - | 30000 |
| 38363 | 4-6mm ² letter D pack of 300 | PAK | \$47.32 | \$4.73 | - | 30000 |
| 38364 | 4-6mm ² letter E pack of 300 | PAK | \$47.32 | \$4.73 | - | 30000 |
| 38365 | 4-6mm ² letter F pack of 300 | PAK | \$47.32 | \$4.73 | - | 30000 |



New product



Energy Saving products

More info available.
See technical pages

Coming soon



Product to be discontinued

Marking system

CAB3 Cable markers



38366

38290

38294

| Cat.Nos | Markers for wiring 4 to 6mm ² | UoM | Trade price \$ | GST \$ | Box qty | Carton qty |
|---|---|-----|----------------|--------|---------|------------|
| Numbers - colour code | | | | | | |
| 38366 | 4-6mm ² letter G pack of 300 | PAK | \$47.32 | \$4.73 | - | 30000 |
| 38367 | 4-6mm ² letter H pack of 300 | PAK | \$47.32 | \$4.73 | - | 30000 |
| 38368 | 4-6mm ² letter I pack of 300 | PAK | \$47.32 | \$4.73 | - | 30000 |
| 38369 | 4-6mm ² letter J pack of 300 | PAK | \$47.32 | \$4.73 | - | 30000 |
| 38370 | 4-6mm ² letter K pack of 300 | PAK | \$47.32 | \$4.73 | - | 30000 |
| 38371 | 4-6mm ² letter L pack of 300 | PAK | \$47.32 | \$4.73 | - | 30000 |
| 38372 | 4-6mm ² letter M pack of 300 | PAK | \$47.32 | \$4.73 | - | 30000 |
| 38373 | 4-6mm ² letter N pack of 300 | PAK | \$47.32 | \$4.73 | - | 30000 |
| 38374 | 4-6mm ² letter O pack of 300 | PAK | \$47.32 | \$4.73 | - | 30000 |
| 38375 | 4-6mm ² letter P pack of 300 | PAK | \$47.32 | \$4.73 | - | 30000 |
| 38376 | 4-6mm ² letter Q pack of 300 | PAK | \$47.32 | \$4.73 | - | 30000 |
| 38377 | 4-6mm ² letter R pack of 300 | PAK | \$47.32 | \$4.73 | - | 30000 |
| 38378 | 4-6mm ² letter S pack of 300 | PAK | \$47.32 | \$4.73 | - | 30000 |
| 38379 | 4-6mm ² letter T pack of 300 | PAK | \$47.32 | \$4.73 | - | 30000 |
| 38380 | 4-6mm ² letter U pack of 300 | PAK | \$47.32 | \$4.73 | - | 30000 |
| 38381 | 4-6mm ² letter V pack of 300 | PAK | \$47.32 | \$4.73 | - | 30000 |
| 38382 | 4-6mm ² letter W pack of 300 | PAK | \$47.32 | \$4.73 | - | 30000 |
| 38383 | 4-6mm ² letter Y pack of 300 | PAK | \$47.32 | \$4.73 | - | 30000 |
| 38384 | 4-6mm ² letter X pack of 300 | PAK | \$47.32 | \$4.73 | - | 30000 |
| 38385 | 4-6mm ² letter Z pack of 300 | PAK | \$47.32 | \$4.73 | - | 30000 |
| Black symbols on yellow background | | | | | | |
| 38290 | 4-6mm ² symbol / pack of 300 | PAK | \$47.32 | \$4.73 | - | 30000 |
| 38291 | 4-6mm ² symbol . pack of 300 | PAK | \$47.32 | \$4.73 | - | 30000 |
| 38292 | 4-6mm ² symbol + pack of 300 | PAK | \$47.32 | \$4.73 | - | 30000 |
| 38293 | 4-6mm ² symbol - pack of 300 | PAK | \$47.32 | \$4.73 | - | 30000 |
| 38294 | 4-6mm ² symbol ~ pack of 300 | PAK | \$47.32 | \$4.73 | - | 30000 |
| 38295 | 4-6mm ² symbol DC pack of 300 | PAK | \$47.32 | \$4.73 | - | 30000 |
| 38296 | 4-6mm ² symbol earth pack of 300 | PAK | \$47.32 | \$4.73 | - | 30000 |



New product



Energy Saving products

More info available.
See technical pages

Coming soon



Product to be discontinued

Whilst most items are stock lines some products are made to order. UoM = Unit Of Measure.
Prices are effective 1 June 2017 and are subject to change without notice. Trade prices exclude GST.

Marking system

CAB3 Cable markers, Accessories



38490



38492



38397



38392

| Cat.Nos | | | UoM | Trade price \$ | GST \$ | Box qty | Carton qty |
|---------|--|--|-----|----------------|---------|---------|------------|
| | Set of markers (digits) | | | | | | |
| 38201 | 0.15-0.5mm ² (250 digits from 0 to 9) pack of 2500 markers + 10 applicators | | EA | \$316.92 | \$31.69 | - | 8 |
| 38202 | 0.5-1.5mm ² (250 digits from 0 to 9) pack of 3000 markers + 10 applicators | | EA | \$316.92 | \$31.69 | - | 8 |
| 38203 | 1.5-2.5mm ² (250 digits from 0 to 9) pack of 3000 markers + 10 applicators | | EA | \$316.92 | \$31.69 | - | 8 |
| 38204 | 4-6mm ² (250 digits from 0 to 9) pack of 2000 markers + 10 applicators | | EA | \$412.13 | \$41.21 | - | 8 |
| | Black marker holders | | | | | | |
| 38490 | For cable cross section 10-16mm ² black pack of 100 | | PAK | \$39.24 | \$3.92 | - | 2400 |
| 38491 | For cable cross section 25-35mm ² black pack of 50 | | PAK | \$26.66 | \$2.67 | - | 1200 |
| 38492 | For cable cross section 50-70mm ² black pack of 50 | | PAK | \$67.21 | \$6.72 | - | 500 |
| | Transporter | | | | | | |
| 38394 | For 0.15-0.5mm ² markers transparent snap-on | | EA | \$7.13 | \$0.71 | 10 | 500 |
| 38395 | For 0.5-1.5mm ² markers transparent snap-on | | EA | \$7.13 | \$0.71 | 10 | 500 |
| 38396 | For 1.5-2.5mm ² markers transparent snap-on | | EA | \$7.13 | \$0.71 | 10 | 500 |
| 38397 | For 4-6mm ² markers transparent snap-on | | EA | \$7.23 | \$0.72 | 10 | 500 |
| | Marker support | | | | | | |
| 38392 | 7 markers 0.15-0.5mm ² - 8 markers 0.5-1.5mm ² | | PAK | \$52.54 | \$5.25 | 100 | 1000 |

Marking system

MEMOCAB Cable marking



37801

37780

37827

| Cat.Nos | Markers for wiring | UoM | Trade price \$ | GST \$ | Box qty | Carton qty |
|--|--|-----|----------------|--------|---------|------------|
| Numbers - colour code | | | | | | |
| 37801 | 2.5x2.5mm purple number 7 slide-in pack of 600 | PAK | \$67.83 | \$6.78 | - | 30000 |
| 37802 | 2.5x2.5mm orange number 3 slide-in pack of 600 | PAK | \$67.83 | \$6.78 | - | 30000 |
| 37803 | 2.5x2.5mm white number 9 slide-in pack of 600 | PAK | \$67.83 | \$6.78 | - | 30000 |
| 37804 | 2.5x2.5mm grey number 8 slide-in pack of 600 | PAK | \$67.83 | \$6.78 | - | 30000 |
| 37805 | 2.5x2.5mm green number 5 slide-in pack of 600 | PAK | \$67.83 | \$6.78 | - | 30000 |
| 37806 | 2.5x2.5mm yellow number 4 slide-in pack of 600 | PAK | \$67.83 | \$6.78 | - | 30000 |
| 37807 | 2.5x2.5mm brown number 1 slide-in pack of 600 | PAK | \$67.83 | \$6.78 | - | 30000 |
| 37808 | 2.5x2.5mm blue number 6 slide-in pack of 600 | PAK | \$67.83 | \$6.78 | - | 30000 |
| 37809 | 2.5x2.5mm black number 0 slide-in pack of 600 | PAK | \$67.83 | \$6.78 | - | 30000 |
| 37810 | 2.5x2.5mm red number 2 slide-in pack of 600 | PAK | \$67.83 | \$6.78 | - | 30000 |
| Black numbers on white background | | | | | | |
| 37780 | 2.5x2.5mm number 0 slide-in pack of 600 | PAK | \$66.22 | \$6.62 | - | 30000 |
| 37781 | 2.5x2.5mm number 1 slide-in pack of 600 | PAK | \$66.22 | \$6.62 | - | 30000 |
| 37782 | 2.5x2.5mm number 2 slide-in pack of 600 | PAK | \$66.22 | \$6.62 | - | 30000 |
| 37783 | 2.5x2.5mm number 3 slide-in pack of 600 | PAK | \$66.22 | \$6.62 | - | 30000 |
| 37784 | 2.5x2.5mm number 4 slide-in pack of 600 | PAK | \$66.22 | \$6.62 | - | 30000 |
| 37785 | 2.5x2.5mm number 5 slide-in pack of 600 | PAK | \$66.22 | \$6.62 | - | 30000 |
| 37786 | 2.5x2.5mm number 6 slide-in pack of 600 | PAK | \$66.22 | \$6.62 | - | 30000 |
| 37787 | 2.5x2.5mm number 7 slide-in pack of 600 | PAK | \$66.22 | \$6.62 | - | 30000 |
| 37788 | 2.5x2.5mm number 8 slide-in pack of 600 | PAK | \$66.22 | \$6.62 | - | 30000 |
| 37789 | 2.5x2.5mm number 9 slide-in pack of 600 | PAK | \$66.22 | \$6.62 | - | 30000 |
| Black capital letters on white background | | | | | | |
| 37826 | 2.5x2.5mm letter A slide-in pack of 240 | PAK | \$27.17 | \$2.72 | - | 24000 |
| 37827 | 2.5x2.5mm letter B slide-in pack of 240 | PAK | \$27.17 | \$2.72 | - | 24000 |
| 37828 | 2.5x2.5mm letter C slide-in pack of 240 | PAK | \$27.17 | \$2.72 | - | 24000 |
| 37829 | 2.5x2.5mm letter D slide-in pack of 240 | PAK | \$27.17 | \$2.72 | - | 24000 |
| 37830 | 2.5x2.5mm letter E slide-in pack of 240 | PAK | \$27.17 | \$2.72 | - | 24000 |
| 37831 | 2.5x2.5mm letter F slide-in pack of 240 | PAK | \$27.17 | \$2.72 | - | 24000 |
| 37832 | 2.5x2.5mm letter G slide-in pack of 240 | PAK | \$27.17 | \$2.72 | - | 24000 |
| 37835 | 2.5x2.5mm letter J slide-in pack of 240 | PAK | \$27.17 | \$2.72 | - | 24000 |
| 37836 | 2.5x2.5mm letter K slide-in pack of 240 | PAK | \$27.17 | \$2.72 | - | 24000 |
| 37837 | 2.5x2.5mm letter L slide-in pack of 240 | PAK | \$27.17 | \$2.72 | - | 24000 |
| 37838 | 2.5x2.5mm letter M slide-in pack of 240 | PAK | \$27.17 | \$2.72 | - | 24000 |



New product



Energy Saving products

More info available.
See technical pages

Coming soon



Product to be discontinued

Whilst most items are stock lines some products are made to order. UoM = Unit Of Measure.
Prices are effective 1 June 2017 and are subject to change without notice. Trade prices exclude GST.

Marking system

MEMOCAB Cable marking



37955



37712



37930

| Cat.Nos | Markers for wiring | UoM | Trade price \$ | GST \$ | Box qty | Carton qty |
|---|--|-----|----------------|---------|---------|------------|
| Black capital letters on white background | | | | | | |
| 37839 | 2.5x2.5mm letter N slide-in pack of 240 | PAK | \$27.17 | \$2.72 | - | 24000 |
| 37840 | 2.5x2.5mm letter O slide-in pack of 240 | PAK | \$27.17 | \$2.72 | - | 24000 |
| 37841 | 2.5x2.5mm letter P slide-in pack of 240 | PAK | \$27.17 | \$2.72 | - | 24000 |
| 37842 | 2.5x2.5mm letter Q slide-in pack of 240 | PAK | \$27.17 | \$2.72 | - | 24000 |
| 37843 | 2.5x2.5mm letter R slide-in pack of 240 | PAK | \$27.17 | \$2.72 | - | 24000 |
| 37844 | 2.5x2.5mm letter S slide-in pack of 240 | PAK | \$27.17 | \$2.72 | - | 24000 |
| 37845 | 2.5x2.5mm letter T slide-in pack of 240 | PAK | \$27.17 | \$2.72 | - | 24000 |
| 37846 | 2.5x2.5mm letter U slide-in pack of 240 | PAK | \$27.17 | \$2.72 | - | 24000 |
| 37847 | 2.5x2.5mm letter V slide-in pack of 240 | PAK | \$27.17 | \$2.72 | - | 24000 |
| 37848 | 2.5x2.5mm letter W slide-in pack of 240 | PAK | \$27.17 | \$2.72 | - | 24000 |
| 37849 | 2.5x2.5mm letter Y slide-in pack of 240 | PAK | \$27.17 | \$2.72 | - | 24000 |
| 37850 | 2.5x2.5mm letter X slide-in pack of 240 | PAK | \$27.17 | \$2.72 | - | 24000 |
| 37851 | 2.5x2.5mm letter Z slide-in pack of 240 | PAK | \$27.17 | \$2.72 | - | 24000 |
| Black conventional symbols on white background | | | | | | |
| 37954 | 2.5mm symbol / slide-in pack of 240 | PAK | \$27.17 | \$2.72 | - | 24000 |
| 37955 | 2.5mm symbol . slide-in pack of 240 | PAK | \$27.17 | \$2.72 | - | 24000 |
| 37956 | 2.5mm symbol + slide-in pack of 240 | PAK | \$27.17 | \$2.72 | - | 24000 |
| 37957 | 2.5mm symbol - slide-in pack of 240 | PAK | \$27.17 | \$2.72 | - | 24000 |
| 37958 | 2.5mm symbol ~ slide-in pack of 240 | PAK | \$27.17 | \$2.72 | - | 24000 |
| 37959 | 2.5mm symbol DC slide-in pack of 240 | PAK | \$27.17 | \$2.72 | - | 24000 |
| 37960 | 2.5mm symbol earth slide-in pack of 240 | PAK | \$27.17 | \$2.72 | - | 24000 |
| Marker holders | | | | | | |
| 37710 | 7 markers capacity 17.5mm transparent adhesive | PAK | \$33.54 | \$3.35 | - | 10000 |
| 37712 | 8 markers capacity 20mm transparent fixing with cable tie | PAK | \$44.11 | \$4.41 | - | 5000 |
| 37910 | 0.25-1.5mm ² 7 marker clear Ø1.3-3.5mm dual sleeve pack of 500 | PAK | \$159.16 | \$15.92 | - | 5500 |
| 37911 | 0.75-4mm ² 7 marker clear Ø2.3-4.8mm dual sleeve pack of 500 | PAK | \$159.16 | \$15.92 | - | 5500 |
| 37920 | 0.25-1.5mm ² 7 marker clear Ø1.3-3.5mm dual sleeve pack of 1000 | PAK | \$123.04 | \$12.30 | - | 11000 |
| 37921 | 0.75-4mm ² 7 marker clear Ø2.3-4.8mm dual sleeve pack of 1000 | PAK | \$133.24 | \$13.32 | - | 11000 |
| 37922 | 4-16mm ² 7 marker clear Ø4.2-7.6mm sleeve pack of 500 | PAK | \$133.24 | \$13.32 | - | 5500 |
| 37930 | 0.25-1.5mm ² 6 marker clear Ø1.3-3.5mm sleeve pack of 1000 | PAK | \$84.60 | \$8.46 | - | 10000 |
| 37931 | 0.75-4mm ² 6 marker clear Ø2.3-4.8mm sleeve pack of 1000 | PAK | \$91.35 | \$9.14 | - | 10000 |
| 37932 | 4-16mm ² 6 marker clear Ø4.2-7.6mm sleeve pack of 500 | PAK | \$66.98 | \$6.70 | - | - |



New product



Energy Saving products

More info available.
See technical pages

Coming soon



Product to be discontinued

Marking system

MEMOCAB Cable marking



| Cat.Nos | Marker holders | UoM | Trade price \$ | GST \$ | Box qty | Carton qty |
|-------------------------------|---|-----|----------------|---------|---------|------------|
| 37933 | 16-50mm ² 7 marker clear Ø7.6-12.5mm sleeve pk of 500 | PAK | \$116.10 | \$11.61 | - | 5000 |
| 37934 | 50-95mm ² 7 marker clear Ø12.5-19mm sleeve pk of 2000 | PAK | \$143.28 | \$14.33 | - | 2000 |
| 37935 | 95-300mm ² marker clear Ø19-29.5 7 sleeve pack of 100 | PAK | \$107.18 | \$10.72 | - | 1000 |
| 37936 | 0.25-1.5mm ² 7 marker clear Ø1.3-3.5mm sleeve pack of 1000 | PAK | \$106.32 | \$10.63 | - | 10000 |
| 37937 | 0.75-4mm ² 7 marker clear Ø2.3-4.8mm sleeve pack of 1000 | PAK | \$117.87 | \$11.79 | - | 10000 |
| 37938 | 4-16mm ² 7 marker clear Ø4.2-7.6mm sleeve pack of 500 | PAK | \$77.65 | \$7.76 | - | 5000 |
| 37940 | 0.25-1.5mm ² 12 marker clear Ø1.3-3.5mm sleeve pack of 500 | PAK | \$107.75 | \$10.78 | - | 5000 |
| 37941 | 0.75-4mm ² 12 marker clear Ø2.3-4.8mm sleeve pack of 500 | PAK | \$116.63 | \$11.66 | - | 5000 |
| 37942 | 4-16mm ² 12 marker clear Ø4.2-7.6mm sleeve pack of 200 | PAK | \$62.17 | \$6.22 | - | 2000 |
| 37943 | 16-50mm ² 12 marker clear Ø7.6-12.5mm sleeve pack of 200 | PAK | \$88.97 | \$8.90 | - | 2000 |
| 37944 | 0.75-4mm ² 500mm length Ø2.3-4.8mm clear sleeve pack of 10 | PAK | \$38.66 | \$3.87 | - | 200 |
| Accessories | | | | | | |
| Double dispenser board | | | | | | |
| 37991 | Double dispenser board plastic for 48 strips of markers black | EA | \$96.26 | \$9.63 | - | 10 |
| Extractor | | | | | | |
| 37993 | Extractor metal for 15mm cable holders black | EA | \$13.50 | \$1.35 | 10 | 500 |
| 37994 | Starter kit - complete with markers 0-9 to A-Z | EA | \$379.84 | \$37.98 | - | - |
| Selecting prong | | | | | | |
| 37989 | Double prong metal for 18 or 30mm marker holders black | EA | \$19.69 | \$1.97 | 10 | 500 |
| 37990 | Prong metal for 30mm marker holders black | EA | \$13.50 | \$1.35 | 10 | 500 |
| 37992 | Prong metal for 15mm marker holders black | EA | \$13.50 | \$1.35 | 10 | 500 |

Terminal blocks

Viking™3 screw connection



37161



37165



37108



37170

| Cat.Nos | Connecting | UoM | Trade price \$ | GST \$ | Box qty | Carton qty |
|---|---|-----|----------------|--------|---------|------------|
| 1 connection - 1 entry/1 outlet | | | | | | |
| 37160 | Grey 0.25 to 4mm ² rig. - 0.25 to 2.5mm ² flex. - 5mm pitch | EA | \$2.84 | \$0.28 | 60 | 1200 |
| 37100 | Blue 0.25 to 4mm ² rig. - 0.25 to 2.5mm ² flex. - 5mm pitch | EA | \$2.84 | \$0.28 | 60 | 1200 |
| 37161 | Grey 0.25 to 6mm ² rig. - 0.25 to 4mm ² flex. - 6mm pitch | EA | \$3.05 | \$0.30 | 50 | 1000 |
| 37101 | Blue 0.25 to 6mm ² rig. - 0.25 to 4mm ² flex. - 6mm pitch | EA | \$3.05 | \$0.30 | 50 | 1000 |
| 37162 | Grey 0.5 to 10mm ² rig. - 0.25 to 6mm ² flex. - 8mm pitch | EA | \$4.89 | \$0.49 | 40 | 800 |
| 37102 | Blue 0.5 to 10mm ² rig. - 0.25 to 6mm ² flex. - 8mm pitch | EA | \$4.89 | \$0.49 | 40 | 800 |
| 37163 | Grey 1.5 to 16mm ² rig. - 2.5 to 10mm ² flex. - 10mm pitch | EA | \$6.68 | \$0.67 | 30 | 600 |
| 37103 | Blue 1.5 to 16mm ² rig. - 2.5 to 10mm ² flex. - 10mm pitch | EA | \$6.68 | \$0.67 | 30 | 600 |
| 37164 | Grey 1.5 to 25mm ² rig. - 4 to 16mm ² flex. - 12mm pitch | EA | \$9.20 | \$0.92 | 20 | 180 |
| 37104 | Blue 1.5 to 25mm ² rig. - 4 to 16mm ² flex. - 12mm pitch | EA | \$9.20 | \$0.92 | 20 | 180 |
| 37165 | Grey 2.5 to 50mm ² rig. - 4 to 35mm ² flex. - 15mm pitch | EA | \$17.09 | \$1.71 | 20 | 180 |
| 37105 | Blue 2.5 to 50mm ² rig. - 4 to 35mm ² flex. - 15mm pitch | EA | \$17.09 | \$1.71 | 20 | 180 |
| 37166 | Grey 25 to 95mm ² rig. - 16 to 70mm ² flex. - 22mm pitch | EA | \$53.32 | \$5.33 | 10 | 60 |
| 2 connections on 2 levels | | | | | | |
| 37167 | Grey 0.25 to 4mm ² rig. - 0.25 to 2.5mm ² flex. - 5mm pitch | EA | \$11.74 | \$1.17 | 60 | 660 |
| 37107 | Blue 0.25 to 4mm ² rig. - 0.25 to 2.5mm ² flex. - 5mm pitch | EA | \$11.74 | \$1.17 | 60 | 660 |
| 37168 | Grey 0.25 to 6mm ² rig. - 0.25 to 4mm ² flex. - 6mm pitch | EA | \$11.44 | \$1.14 | 60 | 660 |
| 37108 | Blue 0.25 to 6mm ² rig. - 0.25 to 4mm ² flex. - 6mm pitch | EA | \$11.44 | \$1.14 | 60 | 600 |
| For protection conductor | | | | | | |
| 1 connection - 1 entry/1 outlet - metal base | | | | | | |
| 37170 | Green/yellow 0.25 to 4mm ² rig. - 0.25 to 2.5mm ² flex. - 5mm pitch | EA | \$13.26 | \$1.33 | 60 | 1200 |
| 37171 | Green/yellow 0.25 to 6mm ² rig. - 0.25 to 4mm ² flex. - 6mm pitch | EA | \$14.20 | \$1.42 | 50 | 1000 |
| 37172 | Green/yellow 0.5 to 10mm ² rig. - 0.25 to 6mm ² flex. - 8mm pitch | EA | \$16.94 | \$1.69 | 40 | 400 |
| 37173 | Green/yellow 1.5 to 16mm ² rig. - 2.5 to 10mm ² flex. - 10mm pitch | EA | \$19.73 | \$1.97 | 30 | 300 |
| 37174 | Green/yellow 1.5 to 25mm ² rig. - 4 to 16mm ² flex. - 12mm pitch | EA | \$27.62 | \$2.76 | 10 | 100 |
| 37175 | Green/yellow 2.5 to 50mm ² rig. - 4 to 35mm ² flex. - 15mm pitch | EA | \$34.44 | \$3.44 | 10 | 100 |



New product



Energy Saving products

More info available.
See technical pages

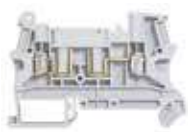
Coming soon



Product to be discontinued

Terminal blocks

Viking™3 screw connection



37180

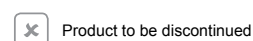
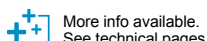
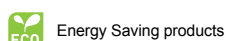
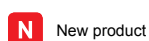


37187



37192

| Cat.Nos | Disconnect terminal blocks 1 connection | UoM | Trade price \$ | GST \$ | Box qty | Carton qty |
|---------|---|-----|----------------|--------|---------|------------|
| | Open (to be equipped) | | | | | |
| 37180 | Grey 0.25 to 2.5mm ² rig. - 0.25 to 2.5mm ² flex. - 6mm pitch | EA | \$7.71 | \$0.77 | 20 | 640 |
| | For fuse cartridge 5x20 with handle lever | | | | | |
| 37181 | Grey 0.25 to 2.5mm ² rig. - 0.25 to 2.5mm ² flex. - 6mm pitch | EA | \$11.74 | \$1.17 | 20 | 640 |
| | For fuse cartridge 5x20 with screwed plug | | | | | |
| 37187 | Grey 0.25 to 16mm ² rig. - 0.25 to 10mm ² flex. - 12mm pitch | EA | \$34.59 | \$3.46 | 20 | 200 |
| | For fuse cartridge 6.3x32 with screwed plug | | | | | |
| 37188 | Grey 0.25 to 16mm ² rig. - 0.25 to 10mm ² flex. - 12mm pitch | EA | \$54.79 | \$5.48 | 20 | 200 |
| | Disconnect for measurement | | | | | |
| | 1 connection | | | | | |
| 37192 | Grey 0.25 to 4mm ² rig. - 0.25 to 4mm ² flex. - 8mm pitch | EA | \$49.54 | \$4.95 | 25 | 250 |



Whilst most items are stock lines some products are made to order. UoM = Unit Of Measure. Prices are effective 1 June 2017 and are subject to change without notice. Trade prices exclude GST.

Terminal blocks

Viking™3 accessories



37510



37540



37546

| Cat.Nos | End stops | | UoM | Trade price \$ | GST \$ | Box qty | Carton qty |
|---------|--|--|-----|----------------|--------|---------|------------|
| 37510 | 6mm pitch screwless mounting for 1 entry/1 outlet 5, 6, 8 and 10mm pitch | | EA | \$7.28 | \$0.73 | 50 | 1000 |
| 37511 | 8mm pitch | | EA | \$2.38 | \$0.24 | 20 | 500 |
| 37512 | 10mm pitch | | EA | \$7.28 | \$0.73 | 10 | 250 |
| 37513 | 12mm pitch | | EA | \$6.99 | \$0.70 | 20 | 500 |
| | End caps | | | | | | |
| | For screw terminal blocks | | | | | | |
| 37550 | 1 entry/1 outlet 5, 6, 8 and 10mm pitch | | EA | \$1.18 | \$0.12 | 100 | 2000 |
| 37551 | 1 entry/1 outlet 12 and 15mm pitch | | EA | \$2.38 | \$0.24 | 20 | 800 |
| 37552 | 2 entries/2 outlets | | EA | \$2.51 | \$0.25 | 20 | 800 |
| 37556 | Disconnect type fuse cartridge 5x20 and 6.3x32 with screwed plug | | EA | \$5.80 | \$0.58 | 20 | 600 |
| | Separation and insulation dividers | | | | | | |
| 37560 | 1 entry/1 outlet 5, 6, 8 and 10mm pitch | | EA | \$1.63 | \$0.16 | 20 | 800 |
| 37562 | 2 entries/2 outlets and disconnect type 6mm pitch | | EA | \$4.59 | \$0.46 | 10 | 400 |
| | Equipotential bridging accessories | | | | | | |
| | Bridging combs | | | | | | |
| 37501 | For 10 blocks with 5mm pitch | | EA | \$9.34 | \$0.93 | 20 | 880 |
| 37502 | For 2 blocks with 5mm pitch | | EA | \$5.80 | \$0.58 | 50 | 2200 |
| | Bars for screw terminal blocks | | | | | | |
| 37540 | For 12 blocks with 10mm pitch | | EA | \$34.75 | \$3.48 | 10 | 100 |
| 37542 | For 12 blocks with 12mm pitch | | EA | \$47.81 | \$4.78 | 10 | 100 |
| | Bridging combs for 3 level screw terminal blocks | | | | | | |
| 37546 | Brown for 12 blocks with 5mm pitch | | EA | \$15.13 | \$1.51 | 10 | 1000 |
| 37547 | Blue for 12 blocks with 5mm pitch | | EA | \$15.13 | \$1.51 | 10 | 1000 |
| | Protective screens | | | | | | |
| | Cut to length | | | | | | |
| 37568 | 5, 6, 8 and 10mm pitch | | EA | \$52.26 | \$5.23 | - | 10 |
| 37569 | 12 and 15mm pitch | | EA | \$77.05 | \$7.70 | - | 10 |



New product



Energy Saving products

More info available.
See technical pages

Coming soon



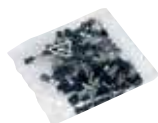
Product to be discontinued

Ferrules

Starfix™ ferrules with insulation flange



37650



37764



37666



37677



37678

| Cat.Nos | Ferrules with insulating flange | UoM | Trade price \$ | GST \$ | Box qty | Carton qty |
|--|---|-----|----------------|---------|---------|------------|
| Singles - supplied in strips | | | | | | |
| 37650 | 0.25mm ² 15mm long turquoise pack of 500 | PAK | \$148.46 | \$14.85 | - | 20000 |
| 37660 | 0.34mm ² 15mm long green pack of 500 | PAK | \$148.46 | \$14.85 | - | 20000 |
| 37661 | 0.5mm ² 15mm long white pack of 480 | PAK | \$142.55 | \$14.26 | - | 19200 |
| 37662 | 0.75mm ² 15mm long blue pack of 480 | PAK | \$142.55 | \$14.26 | - | 19200 |
| 37663 | 1mm ² 15mm long red pack of 1000 | PAK | \$291.11 | \$29.11 | - | 40000 |
| 37664 | 1.5mm ² 15mm long black pack of 1000 | PAK | \$291.11 | \$29.11 | - | 40000 |
| 37666 | 2.5mm ² 15mm long grey pack of 1000 | PAK | \$346.56 | \$34.66 | - | 40000 |
| 37667 | 4mm ² 21mm long orange pack of 250 | PAK | \$169.68 | \$16.97 | - | 10000 |
| 37668 | 6mm ² 23mm long green pack of 250 | PAK | \$214.20 | \$21.42 | - | 10000 |
| Single - individual (box packing) | | | | | | |
| 37669 | 10mm ² 21mm long brown pack of 100 | PAK | \$102.68 | \$10.27 | - | 4000 |
| 37670 | 16mm ² 29mm long white pack of 100 | PAK | \$151.62 | \$15.16 | - | 4000 |
| 37671 | 25mm ² 31mm long black pack of 50 | PAK | \$103.78 | \$10.38 | - | 2000 |
| 37677 | 35mm ² 32mm long red pack of 50 | PAK | \$132.69 | \$13.27 | - | 2000 |
| 37678 | 50mm ² 36mm long blue pack of 30 | PAK | \$208.51 | \$20.85 | - | 1200 |
| Double - individual | | | | | | |
| 37687 | 2 x 0.75mm ² 15mm long blue pack of 500 | PAK | \$211.05 | \$21.10 | - | 12500 |
| 37688 | 2 x 1mm ² 15mm long red pack of 500 | PAK | \$211.05 | \$21.10 | - | 12500 |
| 37689 | 2 x 1.5mm ² 16mm long black pack of 500 | PAK | \$213.90 | \$21.39 | - | 12500 |
| 37690 | 2 x 2.5mm ² 18.5mm long grey pack of 500 | PAK | \$211.05 | \$21.10 | - | 10000 |



New product



Energy Saving products

More info available.
See technical pages

Coming soon



Product to be discontinued

Whilst most items are stock lines some products are made to order. UoM = Unit Of Measure.
Prices are effective 1 June 2017 and are subject to change without notice. Trade prices exclude GST.

Ferrules

Starfix™ refills and accessories



37641



37643



37606



37692



37647

| Cat.Nos | Single - supplied as refills | UoM | Trade price \$ | GST \$ | Box qty | Carton qty |
|---|---|-----|----------------|----------|---------|------------|
| 37641 | 0.5mm ² 15mm long ferrules/strip white pack of 300 | RL | \$88.70 | \$8.87 | - | 3000 |
| 37642 | 0.75mm ² 15mm long ferrules/strip blue pack of 300 | RL | \$88.70 | \$8.87 | - | 3000 |
| 37643 | 1mm ² 15mm long ferrules/strip red pack of 300 | RL | \$88.70 | \$8.87 | - | 3000 |
| 37644 | 1.5mm ² 15mm long ferrules/strip black pack of 300 | RL | \$88.70 | \$8.87 | - | 3000 |
| 37645 | 2.5mm ² 15mm long ferrules/strip grey pack of 250 | RL | \$88.70 | \$8.87 | - | 2500 |
| Crimping tools for ferrules in strips | | | | | | |
| 37608 | 0.25-0.34mm ² supplied with empty applicator | EA | \$172.52 | \$17.25 | - | 15 |
| 37609 | 0.5-2.5mm ² supplied with adjustment wheel and empty applicator | EA | \$172.52 | \$17.25 | - | 15 |
| 37610 | 4-6mm ² supplied with adjustment wheel and empty applicator | EA | \$201.52 | \$20.15 | - | 15 |
| 37697 | Multi-purpose crimping tool 0.5-2.5mm ² with 5 empty applicators | EA | \$1,015.15 | \$101.52 | - | 4 |
| 37639 | Assorted kit | EA | \$462.49 | \$46.25 | - | - |
| Crimping tools for individual single and double ferrules | | | | | | |
| 37606 | Crimping tool 0.5-2.5mm ² adjustment wheel with empty applicator | EA | \$723.46 | \$72.35 | - | 20 |
| Starfix™ crimping tool for 10 to 50mm² | | | | | | |
| 37692 | Crimping tool 0.5-2.5mm ² adjustment wheel with empty applicator | EA | \$974.82 | \$97.48 | - | - |
| Starfix™ applicator for crimping tool | | | | | | |
| 37646 | 0.25mm ² and 0.34mm ² 15mm long yellow pack of 10 | EA | \$13.05 | \$1.30 | 10 | 200 |
| 37647 | 0.5mm ² and 2.5mm ² 15mm long red pack of 10 | EA | \$17.09 | \$1.71 | 10 | 200 |
| 37648 | 4mm ² and 6mm ² 15mm long orange pack of 10 | EA | \$17.09 | \$1.71 | 10 | 200 |



New product



Energy Saving products

More info available.
See technical pages

Coming soon



Product to be discontinued

Hypra[®] IP66/67-55 appliance inlets and sockets with isolator and straight and angled plugs

Cat no. 51106, 51110, 51111, 51161, 52042, 52243, 52244, 52742, 52762, 52936, 52943, 52944, 52946, 53006, 53010, 53011, 53056, 53060, 53061, 53086, 53090, 53091, 59346, 59347, 59376, 59447, 59448, 59477, 59478

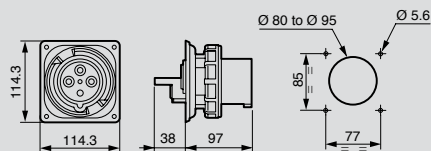
Panel mounting appliance inlets

External screws in stainless steel - Nickel plated contacts

IP66/67-55 - 63A

Can be fixed on box Cat no. 53889

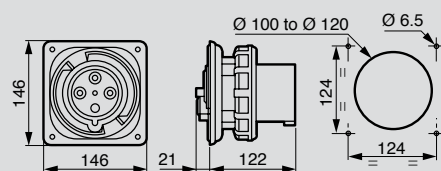
Terminal connection: 1 x 16mm² max. rigid



| | Weight (kg) |
|--------|-------------|
| 2P+E | 0.490 |
| 3P+E | 0.548 |
| 3P+N+E | 0.610 |

IP66/67-55 - 125A

Terminal connection: 1 x 50mm² max. rigid



| | Weight (kg) |
|--------|-------------|
| 3P+E | 1.00 |
| 3P+N+E | 1.15 |

Socket with break isolating switch

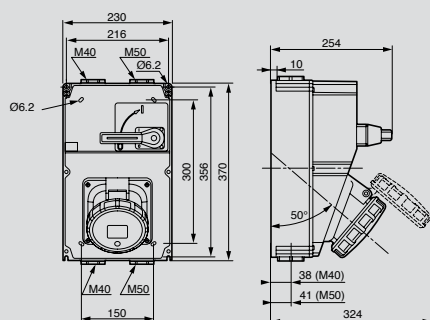
IP66/67-55 - LV 125A

IP67 according to IEC and EN 60529

Icc 10kA according to IEC and EN 60309-1

Panel mounting sockets: IK 09 according to IEC and EN 62262

External screws in stainless steel



⁽¹⁾ Metal on request

Characteristics

External screws in stainless steel - Nickel plated contacts

Terminal connection:

LV 16A: 1 x 2.5mm² max. flexible

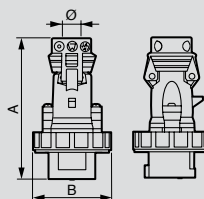
LV 32A: 1 x 6mm² max. flexible

LV 63A: 1 x 16mm² max. flexible

LV 125A: 1 x 50mm² max. flexible

Dimensions

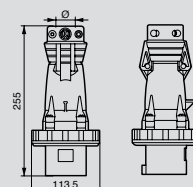
Straight plugs IP66/67-55 LV 16/32A



| | Weight (kg) | Dimensions (mm) | | Ø Clamping and grip |
|------------|-------------|-----------------|------|---------------------|
| | | A | B | |
| 16A | | | | |
| 2P+E | 0.165 | 135 | 72.5 | 8 to 15 |
| 3P+E | 0.195 | 139 | 81 | 8 to 15 |
| 3P+N+E | 0.220 | 154 | 86.5 | 10 to 18 |
| 32A | | | | |
| 2P+E | 0.280 | 164 | 94.5 | 10 to 18 |
| 3P+E | 0.280 | 164 | 94.5 | 12 to 22 |
| 3P+N+E | 0.325 | 170 | 101 | 12 to 22 |

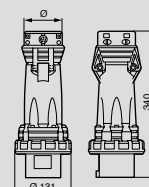
Straight plugs IP66/67-55

LV 63A



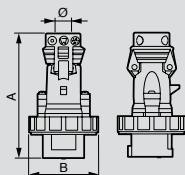
| | Weight (kg) | Ø Clamping and grip |
|--------|-------------|---------------------|
| 2P+E | 0.620 | 16 to 26 |
| 3P+E | 0.680 | 18.5 to 29 |
| 3P+N+E | 0.750 | 20.5 to 32 |

LV 125A



| | Weight (kg) | Ø Clamping and grip |
|--------|-------------|---------------------|
| 3P+E | 1.5 | 24 to 48 |
| 3P+N+E | 1.7 | 28 to 48 |

Straight plugs IP66/67-55 LV 16-32A - plastic



| | Weight (kg) | Dimensions (mm) | | Ø Clamping and grip |
|------------|-------------|-----------------|------|---------------------|
| | | A | B | |
| 16A | | | | |
| 2P+E | 0.165 | 136 | 72.5 | 8 to 15 |
| 3P+E | 0.195 | 141 | 81 | 8 to 15 |
| 3P+N+E | 0.220 | 150 | 86.5 | 10 to 18 |
| 32A | | | | |
| 2P+E | 0.280 | 161 | 94.5 | 10 to 18 |
| 3P+E | 0.280 | 161 | 94.5 | 12 to 22 |
| 3P+N+E | 0.325 | 167 | 101 | 12 to 22 |

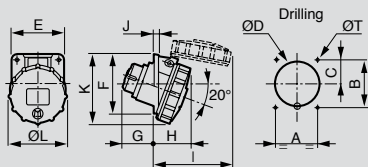
Hypra[®] IP66/67-55 panel mounting and surface mounting boxes

Cat no. 51126, 51130, 51131, 51146, 51150, 51151, 52203, 52919, 52920, 53046, 53050, 59327, 59427, 59428

Dimensions

IP66/67-55 - LV 16A

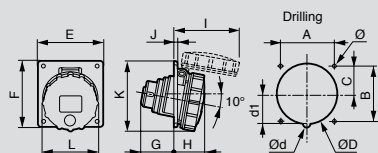
External screws in stainless steel - Nickel plated contacts
Terminal connection (max.): 1 x 4mm² rigid or flexible



| | Weight (kg) | Drilling | | | | | Dimensions (mm) | | | | | | | |
|-----------------|-------------|----------|----|----|------|-----|-----------------|----|----|----|-----|-----|----|------|
| | | A | B | C | ØD | ØT | E | F | G | H | I | J | K | L |
| LV - 16A | | | | | | | | | | | | | | |
| 2P+E | 0.140 | 52 | 60 | 33 | 55 | 4.2 | 64 | 72 | 40 | 45 | 91 | 5.5 | 87 | 72.5 |
| 3P+E | 0.165 | 60 | 70 | 39 | 63.5 | 5.2 | 74 | 84 | 41 | 48 | 102 | 5.5 | 96 | 81 |
| 3P+N+E | 0.195 | 60 | 70 | 37 | 70.6 | 5.2 | 80 | 84 | 42 | 50 | 106 | 5.5 | 96 | 86.5 |

IP66/67-55 - LV 16 and 32A with single fixing centres

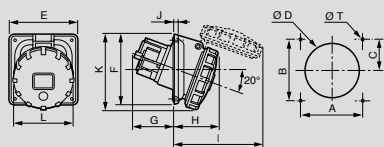
Terminal connection (max.):
16A: 1 x 4mm² rigid
32A: 1 x 10mm² rigid



| | Weight (kg) | Drilling | | | | | | | Dimensions (mm) | | | | | | | |
|-----------------|-------------|----------|----|----|------|----|----|-----|-----------------|----|----|----|-----|-----|-----|------|
| | | A | B | C | ØD | Ød | d1 | Ø | E | F | G | H | I | J | K | ØL |
| LV - 16A | | | | | | | | | | | | | | | | |
| 2P+E | 0.140 | 70 | 70 | 35 | 76.2 | - | - | 4.2 | 84 | 84 | 42 | 39 | 83 | 4.5 | 90 | 72.5 |
| 3P+E | 0.165 | 70 | 70 | 35 | 76.2 | - | - | 4.2 | 84 | 84 | 43 | 41 | 98 | 4.5 | 93 | 81 |
| 3P+N+E | 0.195 | 70 | 70 | 35 | 76.2 | - | - | 4.2 | 84 | 84 | 43 | 41 | 99 | 4.5 | 91 | 86.5 |
| LV - 32A | | | | | | | | | | | | | | | | |
| 2P+E | 0.165 | 70 | 70 | 35 | 76.2 | - | - | 4.2 | 84 | 94 | 54 | 50 | 113 | 4.5 | 101 | 94.5 |
| 3P+E | 0.165 | 70 | 70 | 35 | 76.2 | - | - | 4.2 | 84 | 94 | 54 | 50 | 113 | 4.5 | 101 | 94.5 |
| 3P+N+E | 0.195 | 70 | 70 | 35 | 76.2 | 8 | 36 | 4.2 | 84 | 94 | 54 | 51 | 120 | 4.5 | 103 | 101 |

IP66/67-55 - LV 63 and 125A

Terminal connection (max.):
63A: 1 x 25mm² rigid
125A: 1 x 70mm² rigid

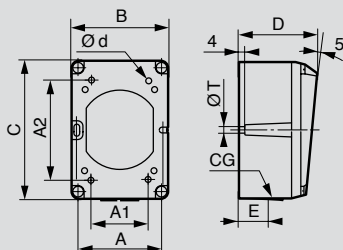


| | Weight (kg) | Drilling | | | | | Dimensions (mm) | | | | | | | |
|------------------|-------------|----------|-----|------|-----|-----|-----------------|-----|----|----|-----|---|-----|-------|
| | | A | B | C | ØD | ØT | E | F | G | H | I | J | K | ØL |
| LV - 63A | | | | | | | | | | | | | | |
| 2P+E | 0.680 | | | | | | | | | | | | | |
| 3P+E | 0.710 | 77 | 85 | 42.5 | 92 | 6.5 | 106 | 106 | 85 | 79 | 158 | 6 | 127 | 113.5 |
| 3P+N+E | 0.770 | | | | | | | | | | | | | |
| LV - 125A | | | | | | | | | | | | | | |
| 3P+E | 1.400 | 124 | 124 | 62 | 120 | 6.5 | 146 | 146 | 84 | 96 | 190 | 8 | 165 | 146 |
| 3P+N+E | 1.550 | | | | | | | | | | | | | |

Dimensions

IP44, IP66/67-55 - LV 16A

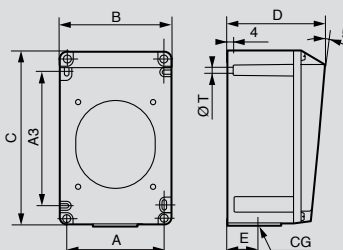
Fix A1 and A2:
Blind optional fixing points
Metal boxes fitted with
- 2 connected earth terminals and 1 outside terminal
- 1 sleeve for metal socket's ground pin



| Surface mounting sockets / Panel mounting sockets | Material | Weight (kg) | Drilling | | | Dimensions (mm) | | | | | CG cable gland | |
|---|----------|-------------|----------|----|-----|-----------------|-----|----|-----|----|----------------|------|
| | | | A1 | A2 | Ød | A | ØT | B | C | D | | E |
| IP44 and IP66/67-55 - LV 16A | | | | | | | | | | | | |
| 2P+E | Plastic | 0.115 | 51 | 68 | 4.2 | 64 | 5.3 | 74 | 106 | 58 | 20 | M 20 |
| | Metal | 0.400 | | | | | | | | | | |
| 3P+E / 3P+N+E | Plastic | 0.160 | 68 | 68 | 4.2 | 85 | 5.3 | 96 | 122 | 60 | 22 | M 20 |
| | Metal | 0.520 | | | | | | | | | | |

IP44, IP66/67-55 - LV 32A

Blind optional fixing points
Metal boxes fitted with
- 2 connected earth terminals and 1 outside terminal
- 1 sleeve for metal socket's ground pin



| Surface mounting sockets / Panel mounting sockets | Material | Weight (kg) | Drilling | | | Dimensions (mm) | | | | | CG cable gland |
|---|----------|-------------|----------|-----|-----|-----------------|-----|----|----|------|----------------|
| | | | A | A3 | ØT | B | C | D | E | | |
| IP44 and IP66/67-55 - LV 32A | | | | | | | | | | | |
| 2P+E / 3P+E / 3P+N+E | Plastic | 0.340 | 90 | 125 | 5.3 | 102 | 162 | 90 | 26 | M 25 | |
| | Metal | 0.910 | | | | | | | | | |

Hypra[®] IP66/67-55 mobile sockets

Cat no. 51176, 51180, 51181, 52082, 52283, 52284, 52782, 52983, 52984, 52986, 53076, 53080, 53081, 59386, 59387, 59487, 59488

Characteristics

External screws in stainless steel - Nickel plated contacts
Icc 10kA according to IEC 60309-1

Dimensions

Mobile sockets IP66/67-55

LV 16 - 32A

Terminal connections:

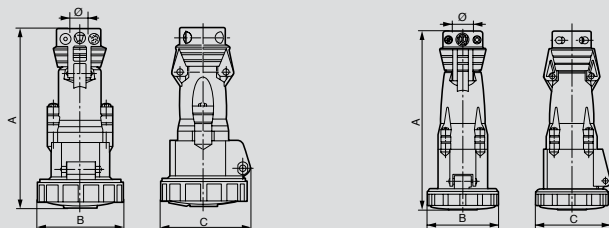
LV 16A: 1 x 2.5mm² max. flexible

LV 32A: 1 x 6mm² max. flexible

LV 63A

Terminal connection:

1 x 16mm² max. flexible

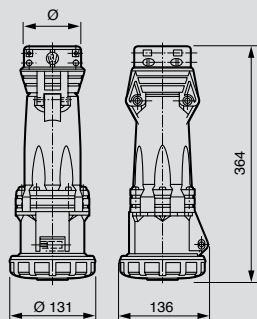


| | Material | Weight (kg) | Dimensions (mm) | | | Ø Clamping and grip |
|---------------|----------|-------------|-----------------|-------|------|---------------------|
| | | | A | B | C | |
| LV 16A | | | | | | |
| 2P+E | Plastic | 0.180 | 150 | 72.5 | 75.5 | 8 to 15 |
| 3P+E | Plastic | 0.215 | 154 | 81 | 86 | 8 to 15 |
| 3P+N+E | Plastic | 0.275 | 169 | 86.5 | 89 | 10 to 18 |
| LV 32A | | | | | | |
| 2P+E | Plastic | 0.320 | 179 | 94.5 | 99 | 10 to 18 |
| 3P+E | Plastic | 0.320 | 179 | 94.5 | 99 | 12 to 22 |
| 3P+N+E | Plastic | 0.375 | 185 | 101 | 105 | 12 to 22 |
| LV 63A | | | | | | |
| 2P+E | Plastic | 0.780 | 278 | 113.5 | 119 | 16 to 26 |
| 3P+E | Plastic | 0.850 | 278 | 113.5 | 119 | 18.5 to 29 |
| 3P+N+E | Plastic | 0.910 | 278 | 113.5 | 119 | 20.5 to 32 |

LV 125A

Terminal connection:

1 x 50mm² max. flexible



| | Weight (kg) | Ø Clamping and grip |
|-------------|-------------|---------------------|
| 125A | | |
| 3P+E | 1.8 | 24 to 48 |
| 3P+N+E | 2.0 | 28 to 48 |

Plexo³ enclosures

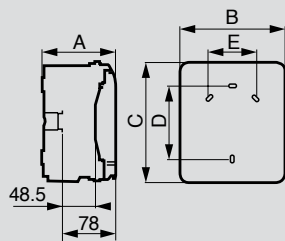
Cat no. 601974, 601976, 601978, 601981, 601982, 601983, 01955

Distribution boards

Cat no. 01301, 01302, 01304, 01306, 01308, HL12F, HL12S, HEE18F, HEE18S, HL24F, HL24S, HL36F, HL36S

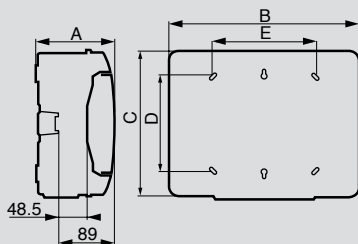
Dimensions

Cabinets 4, 6 and 8 modules



| Cat no. | Dimensions (mm) | | | | |
|---------|-----------------|-----|-----|-----|-----|
| | A | B | C | D | E |
| 601974 | 115.6 | 128 | 200 | 120 | - |
| 601976 | 115.6 | 164 | 200 | 120 | 70 |
| 601978 | 115.6 | 200 | 200 | 120 | 106 |

Cabinets 12, 24 and 36 modules



| Cat no. | Dimensions (mm) | | | | |
|---------|-----------------|-----|-----|-----|-----|
| | A | B | C | D | E |
| 601981 | 141 | 340 | 282 | 180 | 180 |
| 601982 | 161 | 340 | 432 | 330 | 180 |
| 601983 | 161 | 340 | 622 | 480 | 180 |

Number of knockouts on each side

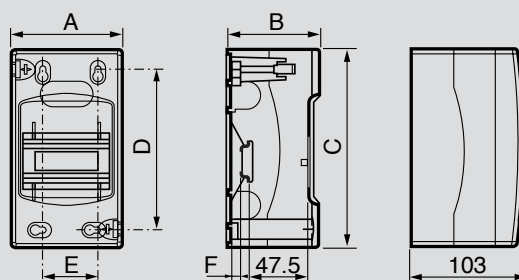
| Cat no. | Top/bottom | | | Left/right | | |
|---------|------------|-------|-------|------------|-------|-------|
| | Ø20mm | Ø25mm | Ø32mm | Ø20mm | Ø25mm | Ø32mm |
| 601974 | 2 | 1 | - | 2 | - | - |
| 601976 | 4 | 1 | - | 2 | - | - |
| 601978 | 6 | 1 | - | 2 | - | - |
| 601981 | 7 | 2 | 2 | - | - | 2 |
| 601982 | 13 | 2 | 2 | - | - | 3 |
| 601983 | 13 | 2 | 2 | - | - | 4 |

Direct piercing end caps

| Cat no. | Type | Number of end caps per pack | Ø | |
|---------|--------|-----------------------------|-----------|-----------|
| | | | Min. (mm) | Max. (mm) |
| 01955 | ISO 20 | 10 | 4 | 13 |
| | ISO 25 | 5 | 9 | 18 |
| | ISO 32 | 2 | 12 | 25 |

Dimensions

Consumer unit with 1 to 9 modules per row



Cat No. 01301/02/04/06/08

Cat No. 01308 with cover

| Cat no. | A | B | C | D | E | F |
|---------|-----|----|-----|-----|-----|------|
| 01301 | 30 | 72 | 140 | 120 | 10 | 7 |
| 01302 | 50 | 72 | 140 | 115 | 25 | 7 |
| 01304 | 90 | 74 | 160 | 130 | 45 | 7 |
| 01306 | 128 | 74 | 160 | 125 | 80 | 7 |
| 01308 | 190 | 83 | 180 | 130 | 120 | 14.5 |

Technical characteristics - DBX³

| | |
|-------------------|--|
| Protection rating | IP42 |
| Chassis | DIN chassis 250A, 25kA/0.1s |
| Dimensions | 590mm W x 225mm D x H |
| Construction | 1.5mm cold rolled steel |
| Colour | N12 Pastel Grey or X15 Electric Orange |
| Compliance | AS/NZ 3439.3 |

Earth and neutral bar - load centre

HL12F - HL12S

- Neutral bar: 1 x (1 x 35mm² + 12 x 25mm²)
- RCD bar: 2 x (4 x 25mm²)
- Earth bar: 1 x (8 x 25mm²)

HEE18F - HEE18S

- Neutral bar: 1 x (2 x 35mm² + 12 x 16mm²)
- RCD bar: 3 x (1 x 25mm² + 4 x 16mm²)
- Earth bar: 1 x (2 x 35mm² + 12 x 16mm²)

HL24F - HL24S

- Neutral bar: 1 x (1 x 35mm² + 12 x 25mm²)
- RCD bar: 2 x (8 x 25mm²)
- Earth bar: 1 x (1 x 35mm² + 16 x 25mm²)

HL36F - HL36S

- Neutral bar: 1 x (1 x 35mm² + 12 x 25mm²)
- RCD bar: 2 x (8 x 25mm²)
- Earth bar: 1 x (1 x 35mm² + 21 x 25mm²)

Hypra[®] IP66/67-55 surface mounting sockets

Cat no. 52702, 52940, 52949, 53051, 59336, 59337, 59437, 59438

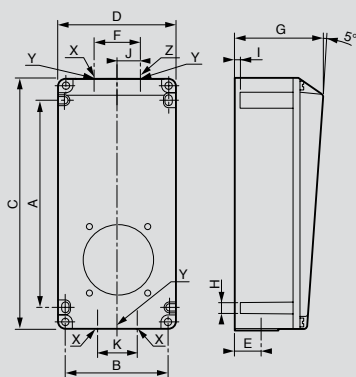
Dimensions

IP44 - LV 16 to 32A, IP66/67-55 - LV 16 and 32A, IP66/67 - LV 63A

Plastic boxes fitted with 2 connected earth terminals

Metal boxes fitted with

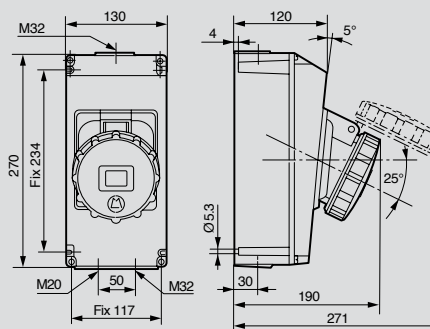
- 2 connected earth (16/32A) terminals and 1 outside terminal
- 1 sleeve for metal socket's ground pin
- 3 connected earth (63A) terminals



| Surface mounting sockets | Material | Weight (kg) | Drilling | | | | | | | | | | | | | Dimensions (mm) | | | | | | | | | | | | |
|--------------------------|----------|-------------|----------|-----|-----|-----|-----|----|----|-----|---|---|---|---|-----|-----------------|--|--|--|--|--|--|--|--|--|--|--|--|
| | | | A | B | H | C | D | E | F | G | I | J | K | X | Y | Z | | | | | | | | | | | | |
| 16A | | | | | | | | | | | | | | | | | | | | | | | | | | | | |
| 2P+E | Plastic | 0.330 | 145 | 74 | 5.3 | 182 | 86 | 22 | 34 | 75 | 4 | - | - | - | M20 | - | | | | | | | | | | | | |
| | Metal | 0.830 | | | | | | | | | | | | | | | | | | | | | | | | | | |
| 3P+E / 3P+N+E | Plastic | 0.440 | 175 | 88 | 5.3 | 212 | 100 | 22 | 40 | 77 | 4 | - | - | - | M20 | - | | | | | | | | | | | | |
| | Metal | 0.980 | | | | | | | | | | | | | | | | | | | | | | | | | | |
| 32A | | | | | | | | | | | | | | | | | | | | | | | | | | | | |
| 2P+E | Plastic | 0.670 | | | | | | | | | | | | | | | | | | | | | | | | | | |
| 2P+E / 3P+E / 3P+N+E | Metal | 1.730 | 234 | 117 | 5.3 | 270 | 130 | 30 | 50 | 120 | 4 | - | - | - | M25 | - | | | | | | | | | | | | |

Dimensions

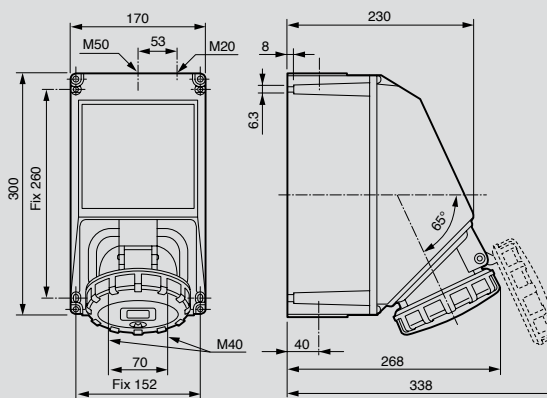
IP66/67-55 - LV 63A



| | Weight (kg) |
|--------|-------------|
| 2P+E | 1.500 |
| 3P+E | 1.550 |
| 3P+N+E | 1.600 |

IP66/67-55 - LV 125A

Terminal connection: 1 x 70mm² rigid max.



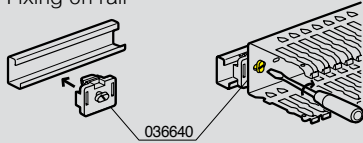
| | Weight (kg) |
|--------|-------------|
| 3P+E | 3.5 |
| 3P+N+E | 3.7 |

Transcab and Lina 25™ cable ducting

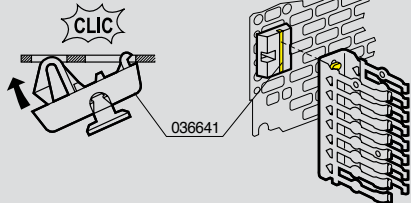
Cat no. 636095, 636096, 636101, 636102, 636103, 636105, 636106, 636107, 636108, 636109, 636111, 636112, 636113, 636114, 636115, 636116, 636117, 636118, 636119, 636120, 636121, 636122, 636123, 636206, 636207, 636212, 036201, 036213

Lina 25 accessories installation

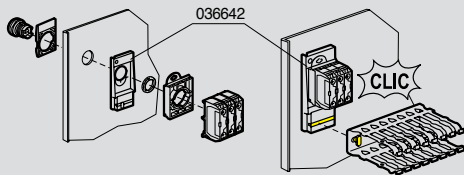
Fixing on rail



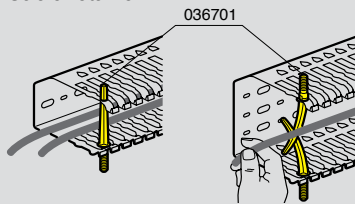
Fixing on perforated plate



Fixing on door

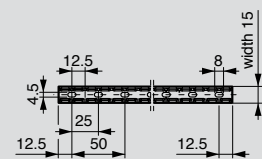


Cable retainer

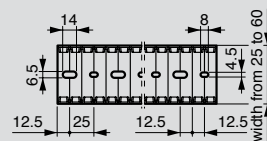


Dimensions

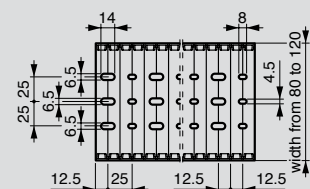
Width 15mm (Transcab)



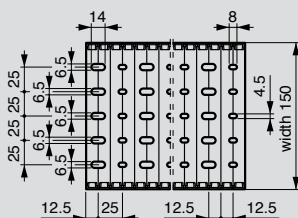
Width 25 to 60mm (Transcab and Lina 25)



Width 80 to 120mm (Transcab and Lina 25)



Width 150mm (Transcab)



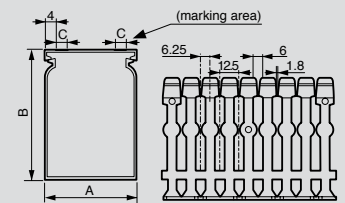
Dimensions (continued)

Transcab cable ducting

| Cat no. | A (mm) | B (mm) |
|---------------|--------|--------|
| 636095 | 15 | 25 |
| 636096 | 15 | 40 |
| 636100 | 25 | 25 |
| 636101 | 25 | 40 |
| 636102 | 25 | 60 |
| 636103 | 25 | 80 |
| 636105 | 40 | 25 |
| 636106/636206 | 40 | 40 |
| 636107/636207 | 40 | 60 |
| 636108 | 40 | 80 |
| 636109 | 40 | 100 |
| 636111 | 60 | 40 |
| 636112/636212 | 60 | 60 |
| 636113 | 60 | 80 |
| 636114 | 60 | 100 |
| 636115 | 80 | 40 |
| 636116 | 80 | 60 |
| 636117 | 80 | 80 |
| 636118 | 80 | 100 |
| 636119 | 100 | 40 |
| 636120 | 100 | 60 |
| 636121 | 100 | 80 |
| 636122 | 100 | 100 |
| 636124 | 120 | 60 |
| 636125 | 120 | 80 |
| 636123 | 150 | 100 |

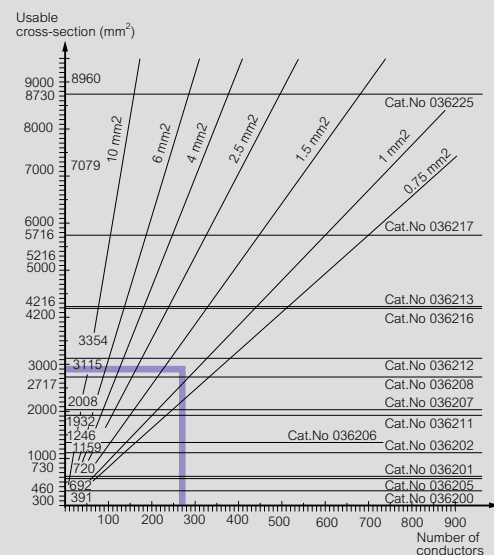
Lina 25 cable ducting

| Cat no. | A (mm) | B (mm) | C (mm) |
|---------|--------|--------|--------|
| 036201 | 25 | 40 | 5 |
| 036213 | 60 | 80 | 10 |



Calculating the ducting usable cross section

Graph for H 05 V-K and H 07 V-K cables with 0.75 packing coefficient



Example: 150 conductors 0.75mm² -> 11250mm² cross section and 120 conductors 1.5mm² -> 1700mm² cross section
Makes a total of 2930mm²

EN 50085-2-3 Classification of Transcab and Lina 25 cable ducting

| | |
|---|------------------------|
| 6.3 Minimum storage & transport temperature | - 25°C |
| 6.3 Maximum operating temperature | + 60°C |
| 6.101 Mounting position | Vertical or horizontal |

Viking™ 3 terminal blocks with screw connection

Cat no. 37100, 37101, 37102, 37103, 37104, 37105, 37107, 37108, 37160, 37161, 37162, 37163, 37164, 37165, 37166, 37167, 37168, 37170, 37171, 37172, 37173, 37174, 37175, 37180, 37181, 37187, 37188, 37192

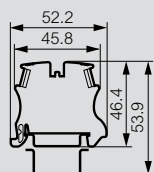
Characteristics and dimensions (mm)

V2 polyamide according to UL 94, 960°C according to IEC EN 60695-2-11

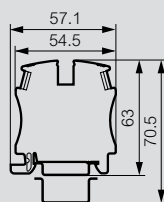
Connecting blocks

| Cat no. | Voltage (V) | | | Current (A) | | | | Nominal cross-section | | |
|----------|-------------|-----|-----|-------------|-----|-----|-----|------------------------|-----------|----------|
| | IEC | CSA | UL | le | IEC | CSA | UL | IEC (mm ²) | CSA (AWG) | UL (AWG) |
| 37100/60 | 800 | 600 | 600 | 27 | 24 | 20 | 20 | 2.5 | 12 | 12 |
| 37101/61 | | | | 36 | 32 | 30 | 30 | 4 | 10 | 10 |
| 37102/62 | | | | 48 | 41 | 50 | 50 | 6 | 8 | 8 |
| 37103/63 | | | | 63 | 57 | 60 | 60 | 10 | 6 | 6 |
| 37104/64 | | | | 85 | 76 | 85 | 85 | 16 | 4 | 4 |
| 37105/65 | | | | 138 | 125 | 115 | 115 | 35 | 2 | 2 |
| 37107/67 | 500 | 300 | 300 | 27 | 24 | 20 | 20 | 2.5 | 12 | 12 |
| 37108/68 | | | | 36 | 32 | 30 | 30 | 4 | 10 | 10 |
| 37166 | 1000 | 600 | 600 | 213 | 192 | 200 | 200 | 70 | 000 | 000 |

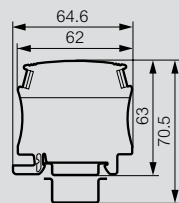
Cat No. 37100/01/02/60/61/62/63



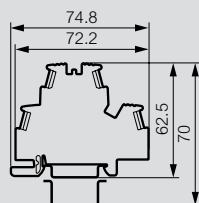
Cat No. 37104/05/64/65



Cat No. 37166



Cat No. 37107/08/67/68



Blocks for protection conductor

V2 polyamide according to UL 94, 960°C according to IEC EN 60695-2-11

Blocks for protection conductor

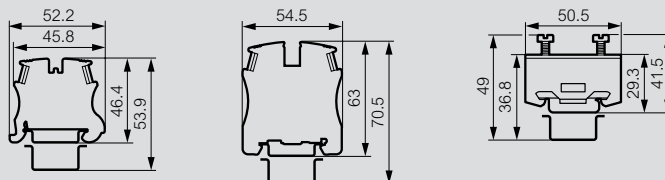
| Cat no. | Voltage (V) | | | Current (A) | | Nominal cross-section | | |
|----------------------|-------------|-----|-----|-------------|-----|------------------------|-----------|----------|
| | IEC | CSA | UL | le | IEC | IEC (mm ²) | CSA (AWG) | UL (AWG) |
| 37170 | 800 | 600 | 600 | - | - | 2.5 | 12 | 12 |
| 37171 | | | | - | - | 4 | 10 | 10 |
| 37172 | | | | - | - | 6 | 8 | 8 |
| 37173 ⁽¹⁾ | | | | 63 | 57 | 10 | 6 | 6 |
| 37174 ⁽¹⁾ | | | | 85 | 76 | 16 | 4 | 4 |
| 37175 ⁽¹⁾ | | | | 138 | 125 | 35 | 2 | 2 |

IEC 60947-7-1/7-2, CSA no. 22-2 no. 158, UL 1059

le: Rated current NF C 15100 table 52H, column 4

⁽¹⁾ PEN terminal blocks

Cat No. 37170/71/72/73



Disconnect terminal blocks

| Cat no. | Voltage (V) | | | Current (A) | | | Nominal cross-section | | |
|----------|-------------|-----|-----|-------------|-----|-----|------------------------|-----------|----------|
| | IEC | CSA | UL | IEC | CSA | UL | IEC (mm ²) | CSA (AWG) | UL (AWG) |
| 37180 | 500 | 300 | 300 | 15 | 15 | 15 | 2.5 | 12 | 12 |
| 37181 | 250 | 250 | 250 | 6.3 | 6.3 | 6.3 | | | |
| 37187/88 | 250 | 250 | 250 | 10 | 10 | 10 | 10 | | |

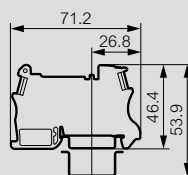
IEC 60947-7-1/7-3, CSA no. 22-2 no. 158, UL 1059

Power according to EN 60947-7-3

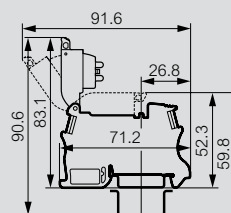
| Cat no. | Short-circuit | | Short-circuit + overload | |
|-------------------------------------|-----------------|------------------|--------------------------|------------------|
| | Separate blocks | Assembled blocks | Separate blocks | Assembled blocks |
| 37181 or 37180 + 375 ⁽¹⁾ | 4W / 6.3A | 1.6W / 6.3A | 1.6W / 6.3A | - |
| | Pvk = 4.75W | Pvk = 2W | Pv = 1.65W | - |
| 37187/88 | 4W | 2.5W | 1.6W | - |
| | Pvk = 5W | Pvk = 2.7W | Pv = 1.8W | - |

⁽¹⁾ With or without blown fuse indicator Cat No. 37525

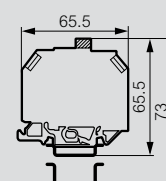
Cat No. 37180



Cat No. 37181



Cat No. 37187/88



Viking™ 3 terminal blocks with screw connection and accessories

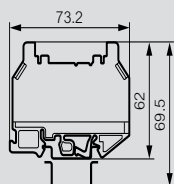
Cat no. 37100, 37101, 37102, 37103, 37104, 37105, 37107, 37108, 37160, 37161, 37162, 37163, 37164, 37165, 37166, 37167, 37168, 37170, 37171, 37172, 37173, 37174, 37175, 37180, 37181, 37187, 37188, 37192, 37501, 37502, 37510, 37510, 37511, 37512, 37513, 37540, 37542, 37546, 37547, 37550, 37551, 37552, 37556, 37560, 37562, 37568, 37569

Disconnect block for measurement

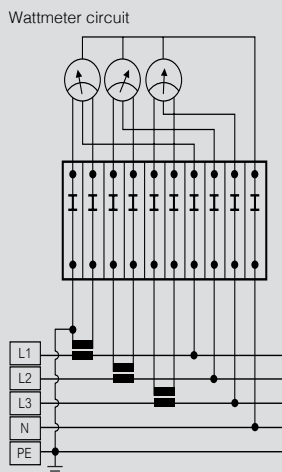
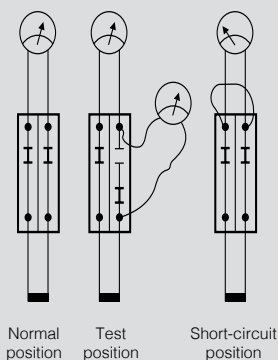
| Cat no. | Voltage (V) | | | Current (A) | | | Nominal cross-section | | |
|---------|-------------|-----|----|-------------|-----|----|------------------------|-----------|----------|
| | IEC | CSA | UL | IEC | CSA | UL | IEC (mm ²) | CSA (AWG) | UL (AWG) |
| 37192 | 800 | - | - | 24 | - | - | 4 | - | - |

IEC EN 60947-7-1

Cat No. 37192



Wiring principle for measurement blocks Cat No. 37192



Per circuit:
 2 x Disconnect blocks for measurement Cat No. 37192
 4 x Measurement sockets for Ø4mm plug Cat No. 37577
 1 x End cap Cat No. 37557
 1 x Shunt with Ø4mm plugs

10 x Disconnect blocks for measurement Cat No. 37192
 12 x Measurement sockets for Ø4mm plug Cat No. 37577
 1 x End cap Cat No. 37557
 3 x Shunts with Ø4mm plugs

Stripped lengths (mm)

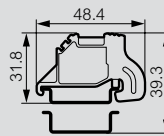
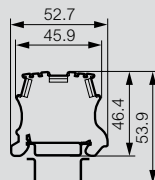
| Screw terminal pitch (mm) | Rigid or flexible wire |
|---------------------------|------------------------|
| 5 | |
| 6 | 6 to 8 |
| 8 | |
| 10 | 10 to 12 |
| 12 | 13 to 17 |
| 15 | 14 to 18 |
| 22 | 15 to 22 |

Characteristics and dimensions (mm)

End stops

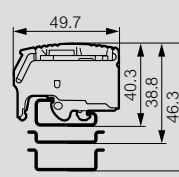
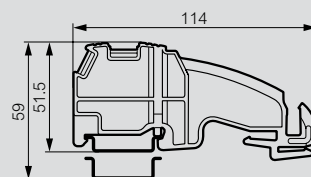
Cat No. 37510

Cat No. 37511



Cat No. 37512

Cat No. 37513



End caps

| Cat no. | Thickness (mm) |
|---------|----------------|
| 37550 | 2 |
| 37551 | 2.5 |
| 37552 | 2 |
| 37556 | 1.4 |

Separation and insulation dividers

| Cat no. | Thickness (mm) |
|---------|----------------|
| 37560 | 2.5 |
| 37562 | 2.5 |

Equipotential bridging combs/bars

| Cat no. | Cross-section (mm ²) |
|---------|----------------------------------|
| 37501 | 2.5 |
| 37502 | 2.5 |
| 37540 | 10 |
| 37542 | 16 |
| 37546 | 2.5 |
| 37547 | 2.5 |

Ferrules

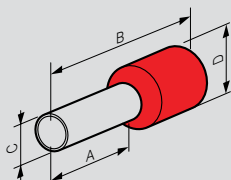
Cat no. 37641, 37642, 37643, 37644, 37645, 37646, 37647, 37648, 37650, 37660, 37661, 37662, 37663, 37664, 37666, 37667, 37668, 37669, 37670, 37671, 37677, 37678, 37687, 37688, 37689, 37690

Correspondence table

| Ferrule Cross-section (mm ²) | Simple ferrule | Large capacity ferrule - refills | Starfix applicator |
|---|----------------|----------------------------------|--------------------|
| 0.5 | 37661 | 37641 | 37647 |
| 0.75 | 37662 | 37642 | 37647 |
| 1 | 37663 | 37643 | 37647 |
| 1.5 | 37664 | 37644 | 37647 |
| 2.5 | 37666 | 37645 | 37647 |

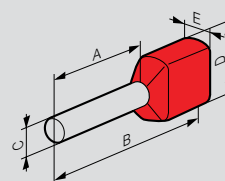
Dimensions (mm)

Simple ferrules



| Cat no. | Cross-section (mm ²) | A | B | C | D | |
|---------|----------------------------------|------|------|------|------|-----|
| 37650 | 0.25 | 8 | 14.5 | 1.1 | 3 | |
| 37660 | 0.34 | 8 | 14.5 | 1.1 | 3 | |
| 37661 | 37641 | 0.5 | 8 | 14.5 | 1.5 | 3.4 |
| 37662 | 37642 | 0.75 | 8 | 14.5 | 1.5 | 3.4 |
| 37663 | 37643 | 1 | 8 | 14.5 | 1.7 | 3.6 |
| 37664 | 37644 | 1.5 | 8 | 14.5 | 2 | 4.1 |
| 37666 | 37645 | 2.5 | 8 | 14.5 | 2.6 | 4.8 |
| 37667 | 4 | 12 | 21 | 3.2 | 5.7 | |
| 37668 | 6 | 12 | 23 | 3.9 | 7.2 | |
| 37669 | 10 | 12 | 21 | 4.9 | 8.1 | |
| 37670 | 16 | 18 | 29 | 6.3 | 9.8 | |
| 37671 | 25 | 18 | 31 | 7.9 | 12 | |
| 37677 | 35 | 18 | 32 | 8.9 | 13.5 | |
| 37678 | 50 | 20 | 36 | 11.1 | 16.1 | |

Double ferrules



| Cat no. | Cross-section (mm ²) | A | B | C | D | E |
|---------|----------------------------------|----|------|------|-----|-----|
| 37687 | 2 x 0.75 | 8 | 15 | 2.1 | 6 | 3.3 |
| 37688 | 2 x 1 | 8 | 15 | 2.35 | 6 | 4 |
| 37689 | 2 x 1.5 | 8 | 16 | 2.6 | 7.2 | 4.2 |
| 37690 | 2 x 2.5 | 10 | 18.5 | 3.3 | 8.4 | 4.8 |

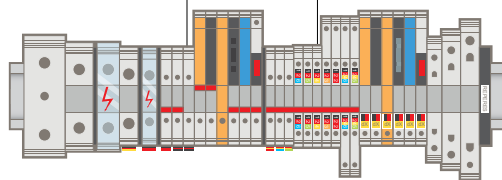
VIKING™ 3

Strength, security and time saving connections

Viking™ 3 terminal block, screw connection:

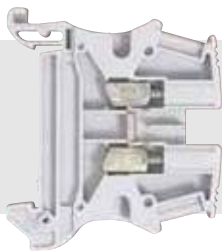
Marking

2 areas for bridging combs



Viking™ 3 terminal blocks are the core of a reliable and easy to use connection system, together with the CAB 3 marking system and Starfix ferrules and crimping tools

Screw connection



High contact pressure
Excellent mechanical strength
Permissible cross sections : 0.25mm² to 70mm² (flexible wire) and 0.25mm² to 95 mm² (rigid wire)
Identical height for blocks of 16mm² to 70mm²

Other advantages of the range



Single end caps for pitches of 5 to 10mm



Identical height for blocks of 16mm² to 70mm²



Integrated end caps or pitches of 6 to 12mm



Addition of functions on module for equipping: standard, neutral or protected isolation, mini circuit breaker, automotive type fuse, etc.

Adaptable enclosures

for any **configuration**

The Legrand XL3 Type tested boards are designed to meet the needs of all power distribution requirements up to 6300A providing optimum performance and easy installation, and are available in a wide range of sizes.

The XL3 power distribution systems are up to 6300A and allow you to design your distribution according to your needs and work habits.



XL3 4000 modular type tested boards:

- IP30 or IP55
- Up to 4 forms of separation
- Short circuit capacity withstanding up to 100kA/1sec
- Type tested according to IEC 60439 to IEC 61439
- Fully adaptable to the Legrand busbar trunking system
- Enclosure dimensions:
 - 2m or 2.2m high
 - 475, 725 or 975mm width
 - 475, 725 or 975mm depth
- Legrand DIN-rail equipment, ACB, MCCB and isolation switches up to 6300A



SWITCHES & POWERPOINTS



P. 106
Arteor 770 Series
Switches



P. 120
Architectural
Metal Switches



P. 125
Linea Switches

Switches & sockets



P. 141
Excel Life
Dedicated
Switches



P. 180
Excel
Switches



P. 211
Como
Switches



P. 219
Standard
Switches

Weatherproof switches & sockets



P. 228
Aqua

FEATURED PRODUCTS



Linea
Improved slim switches
and sockets
(p. 125)



**Excel Life
PIR Sensor**
Energy-saving
(p. 167)



P. 107
Arteor 770 Series
Powerpoints



P. 109
Arteor 770 Series
Mechanisms



P. 112
Arteor 770 Series
Grids & Coverplates



P. 118
Arteor Modular
Series



P. 121
Architectural
Metal Powerpoints



P. 122
Architectural
Metal Mechanisms



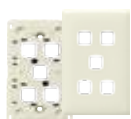
P. 123
Architectural
Metal Grids
& Plates



P. 128
Linea Powerpoints



P. 129
Linea Phone,
TV & Data Sockets



P. 130
Linea Grids
& Plates



P. 131
Linea
Coverplates



P. 144
Excel Life
Dedicated
Powerpoints



P. 147
Excel Life
Dedicated
Grids & Plates



P. 156
Excel Life
Common
Plates



P. 175
Excel Life
Medical



P. 188
Excel
Powerpoints



P. 195
Excel Phone,
TV & Data Sockets



P. 197
Excel Grids
& Plates



P. 208
Mechanisms
for Excel, Linea
and Standard



P. 213
Como
Powerpoints



P. 214
Como Phone,
TV & Data Sockets



P. 215
Como
Mechanisms



P. 217
Como
Coverplates
& Accessories



P. 223
Standard
Powerpoints



P. 225
Standard Phone,
TV & Data Sockets



P. 226
Standard
Plates



P. 229
Light Sensitive
Switches



P. 231
Soliroc



**Excel Life Powerpoint
with Integrated
USB Charger 2.4A and
Powerpoint with Type A+C
USB Charger**
(p. 146)



**Wireless Charging
(Induction)**
(p. 110)

Arteor 770 series

Switches to be installed with Arteor 770 series coverplates



AR770/1WE



AR770/2MGN



AR770/6WE



AR770/1HWE + 575434

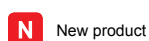


AR770/4HWE



AR770/5HMGN + 575436

| Cat.Nos | Vertical switches | UoM | Trade price \$ | GST \$ | Box qty | Carton qty |
|-------------|--|-----|----------------|--------|---------|------------|
| | Rocker switches - Single Pole Double Throw (SPDT) | | | | | |
| AR770/1WE | Switch 1 gang 2 way 16A 240V a.c. white | EA | \$10.93 | \$1.09 | 10 | 120 |
| AR770/1MGN | Switch 1 gang 2 way 16A 240V a.c. magnesium | EA | \$12.58 | \$1.26 | 10 | 120 |
| AR770/2WE | Switch 2 gang 2 way 16A 240V a.c. white | EA | \$17.66 | \$1.77 | 10 | 120 |
| AR770/2MGN | Switch 2 gang 2 way 16A 240V a.c. magnesium | EA | \$20.32 | \$2.03 | 10 | 120 |
| AR770/3WE | Switch 3 gang 2 way 16A 240V a.c. white | EA | \$30.63 | \$3.06 | 10 | 120 |
| AR770/3MGN | Switch 3 gang 2 way 16A 240V a.c. magnesium | EA | \$35.23 | \$3.52 | 10 | 120 |
| AR770/4WE | Switch 4 gang 2 way 16A 240V a.c. white | EA | \$47.75 | \$4.78 | 10 | 120 |
| AR770/4MGN | Switch 4 gang 2 way 16A 240V a.c. magnesium | EA | \$54.95 | \$5.50 | 10 | 120 |
| AR770/5WE | Switch 5 gang 2 way 16A 240V a.c. white | EA | \$67.47 | \$6.75 | 10 | 120 |
| AR770/5MGN | Switch 5 gang 2 way 16A 240V a.c. magnesium | EA | \$77.58 | \$7.76 | 10 | 120 |
| AR770/6WE | Switch 6 gang 2 way 16A 240V a.c. white | EA | \$79.38 | \$7.94 | 10 | 120 |
| AR770/6MGN | Switch 6 gang 2 way 16A 240V a.c. magnesium | EA | \$91.29 | \$9.13 | 10 | 120 |
| | Horizontal switches | | | | | |
| | Rocker switches - Single Pole Double Throw (SPDT) | | | | | |
| AR770/1HWE | Switch 1 gang 2 way 16A 240V a.c. white | EA | \$10.93 | \$1.09 | 10 | 120 |
| AR770/1HMGN | Switch 1 gang 2 way 16A 240V a.c. magnesium | EA | \$12.58 | \$1.26 | 10 | 120 |
| AR770/2HWE | Switch 2 gang 2 way 16A 240V a.c. white | EA | \$17.66 | \$1.77 | 10 | 120 |
| AR770/2HMGN | Switch 2 gang 2 way 16A 240V a.c. magnesium | EA | \$20.32 | \$2.03 | 10 | 120 |
| AR770/3HWE | Switch 3 gang 2 way 16A 240V a.c. white | EA | \$30.63 | \$3.06 | 10 | 120 |
| AR770/3HMGN | Switch 3 gang 2 way 16A 240V a.c. magnesium | EA | \$35.23 | \$3.52 | 10 | 120 |
| AR770/4HWE | Switch 4 gang 2 way 16A 240V a.c. white | EA | \$47.75 | \$4.78 | 10 | 120 |
| AR770/4HMGN | Switch 4 gang 2 way 16A 240V a.c. magnesium | EA | \$54.95 | \$5.50 | 10 | 120 |
| AR770/5HWE | Switch 5 gang 2 way 16A 240V a.c. white | EA | \$67.47 | \$6.75 | 10 | 120 |
| AR770/5HMGN | Switch 5 gang 2 way 16A 240V a.c. magnesium | EA | \$77.58 | \$7.76 | 10 | 120 |
| AR770/6HWE | Switch 6 gang 2 way 16A 240V a.c. white | EA | \$79.38 | \$7.94 | 10 | 120 |
| AR770/6HMGN | Switch 6 gang 2 way 16A 240V a.c. magnesium | EA | \$91.29 | \$9.13 | 10 | 120 |



New product



Energy Saving products

More info available.
See technical pages

Coming soon



Product to be discontinued

Arteor 770 series

Powerpoints to be installed with Arteor 770 series coverplates



AR777WE



AR777XMGN



AR777MGN



AR777USB2ACMGN



AR777AWE



AR777MGN + 575433

| Cat.Nos | Horizontal powerpoints | UoM | Trade price \$ | GST \$ | Box qty | Carton qty |
|---|--|-----|----------------|---------|---------|------------|
| Double powerpoints | | | | | | |
| AR777WE | Powerpoint 2 gang 10A 240V a.c. white | EA | \$22.19 | \$2.22 | 10 | 100 |
| AR777MGN | Powerpoint 2 gang 10A 240V a.c. magnesium | EA | \$25.50 | \$2.55 | 10 | 100 |
| AR777XWE | Powerpoint 2 gang 10A 240V a.c. with extra switch white | EA | \$46.11 | \$4.61 | 10 | 120 |
| AR777XMGN | Powerpoint 2 gang 10A 240V a.c. with extra switch magnesium | EA | \$53.01 | \$5.30 | 10 | 120 |
| AR777AWE | Powerpoint 2 gang 10A 240V a.c. autoswitch white | EA | \$22.83 | \$2.28 | 10 | 50 |
| AR777AMGN | Powerpoint 2 gang 10A 240V a.c. autoswitch magnesium | EA | \$26.73 | \$2.67 | 5 | 50 |
| Double powerpoints with dual USB charger Type A for plasterboard and single brick wall installations - engraved "USB chargers" | | | | | | |
| AR777USBENGWE | Powerpoint 2 gang 10A 240V a.c. with USB charger 2x2.4A white | EA | \$97.84 | \$9.78 | - | 12 |
| AR777USBENGMGN | Powerpoint 2 gang 10A 240V a.c. with USB charger 2x2.4A magnesium | EA | \$100.97 | \$10.10 | - | 12 |
| Double powerpoints with dual USB charger Type A and Type C for plasterboard and single brick wall installations | | | | | | |
| AR777USB2ACWE | Powerpoint 2 gang 10A 240V a.c. with type A&C USB charger 2x2.4A white | EA | \$103.68 | \$10.37 | - | 12 |
| AR777USB2ACMGN | Powerpoint 2 gang 10A 240V a.c. with type A&C USB charger 2x2.4A magnesium | EA | \$105.76 | \$10.58 | - | 12 |
| Double powerpoints with single USB charger Type C for plasterboard and single brick wall installations | | | | | | |
| AR777USB1CWE | Powerpoint 2 gang 10A 240V a.c. with type C USB charger 45W white | EA | \$109.90 | \$10.90 | - | 12 |
| AR777USB1CMGN | Powerpoint 2 gang 10A 240V a.c. with type C USB charger 45W magnesium | EA | \$111.90 | \$11.20 | - | 12 |

How to order Arteor



Select a function in white or magnesium

+



Select a coverplate

=



Complete product!

or



Choose the mechanism in white or magnesium

+



Select the grid in white or magnesium

+

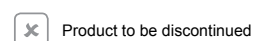
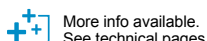
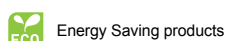
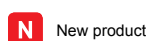


Select a coverplate

=



Complete product!



Whilst most items are stock lines some products are made to order. UoM = Unit Of Measure. Prices are effective 1 June 2017 and are subject to change without notice. Trade prices exclude GST.

Arteor 770 series

Mechanisms to be installed in Arteor 770 series grids



AR770MWE



AR770IMWE



AR770MZONE1WE



AR770MFANWE



AR770/35MOVENWE

| Cat.Nos | Switch mechanisms | UoM | Trade price \$ | GST \$ | Box qty | Carton qty |
|-----------------------------------|---|-----|----------------|--------|---------|------------|
| Rocker mechanisms | | | | | | |
| AR770MWE | Switch mech. 2 way 35A 250V a.c. white | EA | \$11.29 | \$1.13 | 10 | 100 |
| AR770MMGN | Switch mech. 2 way 35A 250V a.c. magnesium | EA | \$13.20 | \$1.32 | 10 | 100 |
| AR770IMWE | Switch mech. intermediate 2 way 16A 250V a.c. white | EA | \$48.04 | \$4.80 | 10 | 100 |
| AR770IMMGN | Switch mech. intermediate 2 way 16A 250V a.c. magnesium | EA | \$55.25 | \$5.52 | 10 | 100 |
| AR770XMWE | Switch mech. spring return 2 way 16A 250V a.c. white | EA | \$10.48 | \$1.05 | 10 | 100 |
| AR770XMMGN | Switch mech. spring return 2 way 16A 250V a.c. magnesium | EA | \$12.04 | \$1.20 | 10 | 100 |
| AR769P16MWE | Switch mech. double pole 2 way 16A 250V a.c. white | EA | \$43.21 | \$4.32 | 10 | 100 |
| AR769P16MMGN | Switch mech. double pole 2 way 16A 250V a.c. magnesium | EA | \$49.70 | \$4.97 | 10 | 100 |
| AR770/202MWE | Switch mech. 2 way 20A 250V a.c. white | EA | \$25.22 | \$2.52 | 10 | 100 |
| AR770/202MMGN | Switch mech. 2 way 20A 250V a.c. magnesium | EA | \$29.00 | \$2.90 | 10 | 100 |
| AR770/35MWE | Switch mech. 2 way 35A 250V a.c. white | EA | \$27.39 | \$2.74 | 10 | 100 |
| AR770/35MMGN | Switch mech. 2 way 35A 250V a.c. magnesium | EA | \$31.50 | \$3.15 | 10 | 100 |
| Engraved rocker mechanisms | | | | | | |
| AR770MFANWE | Switch mech. 2 way 16A 250V a.c. "fan" engraved white | EA | \$18.60 | \$1.86 | 10 | 100 |
| AR770MFANMGN | Switch mech. 2 way 16A 250V a.c. "fan" engraved magnesium | EA | \$20.32 | \$2.03 | 10 | 100 |
| AR770MHEATWE | Switch mech. 2 way 16A 250V a.c. "heat" engraved white | EA | \$18.60 | \$1.86 | 10 | 100 |
| AR770MHEATMGN | Switch mech. 2 way 16A 250V a.c. "heat" engraved magnesium | EA | \$20.32 | \$2.03 | 10 | 100 |
| AR770MLIGHTWE | Switch mech. 2 way 16A 250V a.c. "light" engraved white | EA | \$18.60 | \$1.86 | 10 | 100 |
| AR770MLIGHTMGN | Switch mech. 2 way 16A 250V a.c. "light" engraved magnesium | EA | \$20.32 | \$2.03 | 10 | 100 |
| AR770MONOFFWE | Switch mech. 2 way 16A 250V a.c. "onoff" engraved white | EA | \$18.60 | \$1.86 | 10 | 100 |
| AR770MONOFFMGN | Switch mech. 2 way 16A 250V a.c. "onoff" engraved magnesium | EA | \$20.32 | \$2.03 | 10 | 100 |
| AR770MWASTEWE | Switch mech. 2 way 16A 250V a.c. "waste" engraved white | EA | \$18.60 | \$1.86 | 10 | 100 |
| AR770MWASTEMGN | Switch mech. 2 way 16A 250V a.c. "waste" engraved magnesium | EA | \$20.32 | \$2.03 | 10 | 100 |
| AR770MZONE1WE | Switch mech. 2 way 16A 250V a.c. "zone1" engraved white | EA | \$18.60 | \$1.86 | 10 | 100 |
| AR770MZONE1MGN | Switch mech. 2 way 16A 250V a.c. "zone1" engraved magnesium | EA | \$20.32 | \$2.03 | 10 | 100 |
| AR770MZONE2WE | Switch mech. 2 way 16A 250V a.c. "zone2" engraved white | EA | \$18.60 | \$1.86 | 10 | 100 |
| AR770MZONE2MGN | Switch mech. 2 way 16A 250V a.c. "zone2" engraved magnesium | EA | \$20.32 | \$2.03 | 10 | 100 |
| AR770MZONE3WE | Switch mech. 2 way 16A 250V a.c. "zone3" engraved white | EA | \$18.60 | \$1.86 | 10 | 100 |
| AR770MZONE3MGN | Switch mech. 2 way 16A 250V a.c. "zone3" engraved magnesium | EA | \$20.32 | \$2.03 | 10 | 100 |
| AR770MZONE4WE | Switch mech. 2 way 16A 250V a.c. "zone4" engraved white | EA | \$18.60 | \$1.86 | 10 | 100 |
| AR770MZONE4MGN | Switch mech. 2 way 16A 250V a.c. "zone4" engraved magnesium | EA | \$20.32 | \$2.03 | 10 | 100 |
| AR770/35MOVENWE | Switch mech. 2 way 35A 250V a.c. "oven" engraved white | EA | \$34.49 | \$3.45 | 10 | 100 |
| AR770/35MOVENMG | Switch mech. 2 way 35A 250V a.c. "oven" engraved magnesium | EA | \$38.60 | \$3.86 | 10 | 100 |



New product



Energy Saving products

More info available.
See technical pages

Coming soon



Product to be discontinued

Arteor 770 series

Mechanisms to be installed in Arteor 770 series grids



AR870MWE



AR400TMWE



AR400A3PMWE



AR450SMMGN



AR770USB2PSAMWE

| Cat.Nos | | UoM | Trade price \$ | GST \$ | Box qty | Carton qty |
|-----------------|---|-----|----------------|--------|---------|------------|
| | Switch mechanisms | | | | | |
| | Push-button mechanisms | | | | | |
| AR870MWE | Switch mech. push-button 2 way 10A 250V a.c. white | EA | \$10.24 | \$1.02 | 10 | 100 |
| AR870MMGN | Switch mech. push-button 2 way 10A 250V a.c. magnesium | EA | \$11.77 | \$1.18 | 10 | 100 |
| AR883MWE | Electronic push-button 5A 250V a.c. white | EA | \$55.29 | \$5.53 | 10 | 120 |
| AR883MMGN | Electronic push-button 5A 250V a.c. magnesium | EA | \$59.09 | \$5.91 | 10 | 120 |
| | Rotary dimmer mechanisms | | | | | |
| | Leading edge | | | | | |
| AR400LMWE | Dimmer mech. leading edge 2 wire 400VA 240V a.c. white | EA | \$67.62 | \$6.76 | 10 | 100 |
| AR400LMMGN | Dimmer mech. leading edge 2 wire 400VA 240V a.c. magnesium | EA | \$77.76 | \$7.78 | 10 | 100 |
| | Trailing edge | | | | | |
| AR400TMWE | Dimmer mech. trailing edge 2 wire 400VA 240V a.c. white | EA | \$81.18 | \$8.12 | 10 | 100 |
| AR400TMMGN | Dimmer mech. trailing edge 2 wire 400VA 240V a.c. magnesium | EA | \$84.99 | \$8.50 | 10 | 100 |
| | Push-button dimmer mechanisms | | | | | |
| | 2 wire | | | | | |
| AR400A2PMWE | Dimmer mech. push-button all load 2 wire 400VA 240V a.c. white | EA | \$82.40 | \$8.24 | 10 | 120 |
| AR400A2PMMGN | Dimmer mech. push-button all load 2 wire 400VA 240V a.c. magnesium | EA | \$84.79 | \$8.48 | 10 | 120 |
| | 3 wire | | | | | |
| AR400A3PMWE | Dimmer mech. push-button all load 3 wire 400VA 240V a.c. white | EA | \$85.13 | \$8.51 | 10 | 120 |
| AR400A3PMMGN | Dimmer mech. push-button all load 3 wire 400VA 240V a.c. magnesium | EA | \$88.95 | \$8.90 | 10 | 120 |
| | Secondary | | | | | |
| AR450SMWE | Dimmer mech. push-button secondary 450VA 240V a.c. white | EA | \$38.47 | \$3.85 | 10 | 100 |
| AR450SMMGN | Dimmer mech. push-button secondary 450VA 240V a.c. magnesium | EA | \$44.43 | \$4.44 | 10 | 100 |
| | USB charger mechanisms | | | | | |
| | For plasterboard or single brick installations | | | | | |
| AR770USB2PSAMWE | Dual USB charger mech. 2x2.4A 250V a.c. white | EA | \$54.39 | \$5.44 | - | 12 |
| AR770USB2PSAMMG | Dual USB charger mech. 2x2.4A 250V a.c. magnesium | EA | \$56.48 | \$5.65 | - | 12 |
| | For wall box, fire box or double brick installations | | | | | |
| AR770USB2PSXMWE | Dual USB charger mech. 2x2.4A 250V a.c. with inline connector white | EA | \$60.64 | \$6.06 | - | 12 |
| AR770USB2PSXMMG | Dual USB charger mech. 2x2.4A 250V a.c. with inline connector magnesium | EA | \$62.73 | \$6.27 | - | 12 |
| | Extension lead for dual USB charger mechanisms AR770USB2PSX series | | | | | |
| EAUSBEXT3WE | Extension lead 3m with connectors for AR770USB2PSX USB charger mechanisms | EA | \$22.80 | \$2.28 | - | - |



New product



Energy Saving products

More info available.
See technical pages

Coming soon



Product to be discontinued

Whilst most items are stock lines some products are made to order. UoM = Unit Of Measure.
Prices are effective 1 June 2017 and are subject to change without notice. Trade prices exclude GST.

Arteor 770 series

USB charger mechanisms and wireless charging stations



AR770USB2ACMMGN



AR770USB1CMWE

| Cat.Nos | USB charger mechanisms | UoM | Trade price \$ | GST \$ | Box qty | Carton qty |
|--|--|-----|----------------|---------|---------|------------|
| For plasterboard or single brick wall installations - Dual type A&C | | | | | | |
| AR770USB2ACMWE | USB charger mech. dual type A&C 2x2.4A white | EA | \$62.90 | \$6.29 | - | 12 |
| AR770USB2ACMMGN | USB charger mech. dual type A&C 2x2.4A magnesium | EA | \$64.20 | \$6.42 | - | 12 |
| For plasterboard or single brick wall installations - Single type C | | | | | | |
| AR770USB1CMWE | USB charger mech. type C 45W white | EA | \$72.90 | \$7.29 | - | 12 |
| AR770USB1CMMGN | USB charger mech. type C 45W magnesium | EA | \$74.20 | \$7.42 | - | 12 |
| Wireless Charging - Induction | | | | | | |
| Wall mount wireless charging station | | | | | | |
| EDWCWEMS | Wireless charger 1A with Type A USB port 2.4A silver | EA | \$92.90 | \$9.30 | 1 | 10 |
| Tamper-proof outdoor wireless charger | | | | | | |
| 077599 | Wireless charger 1A IK08-IP66 (80051 to be used for mounting) | EA | \$112.90 | \$11.30 | 1 | 10 |
| Table top mount wireless charger pad | | | | | | |
| 077580 | Wireless charging pad 1A IK04-IP4 80mm cut-out supplied with 2.5mm | EA | \$57.00 | \$5.70 | 1 | 10 |



New product



Energy Saving products



More info available.
See technical pages



Coming soon



Product to be discontinued

Arteor 770 series

Grids for Arteor 770 series



AR770/1GOWE



AR770/2GOMGN



AR770/3GOWE +
AR400A3PMWE x 3 + 575430



AR770/4GOMGN

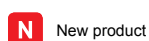


AR770/5GOWE



AR770/6GOWE

| Cat.Nos | Grids | UoM | Trade price \$ | GST \$ | Box qty | Carton qty |
|--------------|-----------------------|-----|----------------|--------|---------|------------|
| AR770/1GOWE | Grid 1 gang white | EA | \$6.59 | \$0.66 | 10 | 120 |
| AR770/1GOMGN | Grid 1 gang magnesium | EA | \$7.60 | \$0.76 | 10 | 120 |
| AR770/2GOWE | Grid 2 gang white | EA | \$6.59 | \$0.66 | 10 | 120 |
| AR770/2GOMGN | Grid 2 gang magnesium | EA | \$7.60 | \$0.76 | 10 | 120 |
| AR770/3GOWE | Grid 3 gang white | EA | \$6.59 | \$0.66 | 10 | 120 |
| AR770/3GOMGN | Grid 3 gang magnesium | EA | \$7.60 | \$0.76 | 10 | 120 |
| AR770/4GOWE | Grid 4 gang white | EA | \$6.59 | \$0.66 | 10 | 120 |
| AR770/4GOMGN | Grid 4 gang magnesium | EA | \$7.60 | \$0.76 | 10 | 120 |
| AR770/5GOWE | Grid 5 gang white | EA | \$6.59 | \$0.66 | 10 | 120 |
| AR770/5GOMGN | Grid 5 gang magnesium | EA | \$7.60 | \$0.76 | 10 | 120 |
| AR770/6GOWE | Grid 6 gang white | EA | \$6.59 | \$0.66 | 10 | 120 |
| AR770/6GOMGN | Grid 6 gang magnesium | EA | \$7.60 | \$0.76 | 10 | 120 |



New product



Energy Saving products



More info available.
See technical pages



Coming soon



Product to be discontinued

Whilst most items are stock lines some products are made to order. UoM = Unit Of Measure.
Prices are effective 1 June 2017 and are subject to change without notice. Trade prices exclude GST.

Arteor 770 series

Coverplates for Arteor 770 series grids and mechanisms



575430



575431



575434



575433



576476



575436

| Cat.Nos | Coverplates | UoM | Trade price \$ | GST \$ | Box qty | Carton qty |
|---------|--|-----|----------------|---------|---------|------------|
| 575430 | Coverplate Arteor 770 series white | EA | \$3.43 | \$0.34 | 5 | 50 |
| 575431 | Coverplate Arteor 770 series pearl alu | EA | \$6.13 | \$0.61 | 5 | 50 |
| 575432 | Coverplate Arteor 770 series graphite | EA | \$6.25 | \$0.62 | 5 | 50 |
| 576478 | Coverplate Arteor 770 series tattoo | EA | \$19.18 | \$1.92 | 5 | 50 |
| 576471 | Coverplate Arteor 770 series casual | EA | \$47.95 | \$4.80 | - | 40 |
| 576472 | Coverplate Arteor 770 series formal | EA | \$47.95 | \$4.80 | - | 40 |
| 575434 | Coverplate Arteor 770 series mirror white | EA | \$46.77 | \$4.68 | - | 40 |
| 575433 | Coverplate Arteor 770 series mirror black | EA | \$46.77 | \$4.68 | - | 40 |
| 576476 | Coverplate Arteor 770 series mirror red | EA | \$47.63 | \$4.76 | - | 40 |
| 576475 | Coverplate Arteor 770 series mirror taupe | EA | \$47.63 | \$4.76 | - | 40 |
| 575436 | Coverplate Arteor 770 series stainless steel | EA | \$58.45 | \$5.84 | - | 40 |
| 576470 | Coverplate Arteor 770 series gold brass | EA | \$57.52 | \$5.75 | - | 40 |
| 575435 | Coverplate Arteor 770 series wenge wood | EA | \$86.32 | \$8.63 | - | 40 |
| 576479 | Coverplate Arteor 770 series oak | EA | \$86.32 | \$8.63 | - | 40 |
| 576474 | Coverplate Arteor 770 series galuchat | EA | \$208.47 | \$20.85 | - | 40 |
| 576473 | Coverplate Arteor 770 series leather club | EA | \$110.28 | \$11.03 | - | 40 |
| 576477 | Coverplate Arteor 770 series woven metal | EA | \$155.84 | \$15.58 | - | 40 |



New product



Energy Saving products

More info available.
See technical pages

Coming soon



Product to be discontinued

Arteor modular series

Mechanisms to be installed in Arteor modular series grids



571917



572511



572544



572044



572015

| Cat.Nos | Switch mechanism | UoM | Trade price \$ | GST \$ | Box qty | Carton qty |
|-------------------------------|---|-----|----------------|--------|---------|------------|
| Rocker mechanisms | | | | | | |
| 571917 | Switch 2 way 16A 250V a.c. 1 module white | EA | \$13.47 | \$1.35 | 10 | 100 |
| 571967 | Switch 2 way 16A 250V a.c. 1 module magnesium | EA | \$15.78 | \$1.58 | 10 | 100 |
| 571927 | Switch 2 way 16A 250V a.c. with LED 1 module white | EA | \$17.10 | \$1.71 | 10 | 100 |
| 571977 | Switch 2 way 16A 250V a.c. with LED 1 module magnesium | EA | \$22.61 | \$2.26 | 10 | 100 |
| 571919 | Switch 2 way 16A 250V a.c. 2 module white | EA | \$13.70 | \$1.37 | 10 | 100 |
| 571969 | Switch 2 way 16A 250V a.c. 2 module magnesium | EA | \$15.78 | \$1.58 | 10 | 100 |
| 571929 | Switch 2 way 16A 250V a.c. with LED 2 module white | EA | \$17.10 | \$1.71 | 10 | 100 |
| 571979 | Switch 2 way 16A 250V a.c. with LED 2 module magnesium | EA | \$22.61 | \$2.26 | 10 | 100 |
| 572010 | Switch 2 way 20A 250V a.c. 1 module white | EA | \$38.37 | \$3.84 | 10 | 100 |
| 572510 | Switch 2 way 20A 250V a.c. 1 module magnesium | EA | \$44.12 | \$4.41 | 10 | 100 |
| 572011 | Switch 2 way 20A 250V a.c. with LED 1 module white | EA | \$37.53 | \$3.75 | 10 | 100 |
| 572511 | Switch 2 way 20A 250V a.c. with LED 1 module magnesium | EA | \$43.14 | \$4.31 | 5 | 100 |
| 572042 | Switch 2 way 20A 250V a.c. with LED 2 module white | EA | \$46.89 | \$4.69 | 10 | 100 |
| 572542 | Switch 2 way 20A 250V a.c. with LED 2 module magnesium | EA | \$53.94 | \$5.39 | 5 | 100 |
| 572044 | Switch 2x2 way+1 way 20A 250V a.c. 2 module white | EA | \$20.85 | \$2.08 | 10 | 100 |
| 572544 | Switch 2x2 way+1 way 20A 250V a.c. 2 module magnesium | EA | \$23.96 | \$2.40 | 10 | 100 |
| 572048 | Switch 2 way double pole 20A 250V a.c. 2 module white | EA | \$33.36 | \$3.34 | 10 | 100 |
| 572548 | Switch 2 way double pole 20A 250V a.c. 2 module magnesium | EA | \$38.37 | \$3.84 | 10 | 100 |
| 572047 | Switch 2 way double pole 20A 250V a.c. with red LED 2 module white | EA | \$54.21 | \$5.42 | 10 | 100 |
| 572547 | Switch 2 way double pole 20A 250V a.c. with red LED 2 module magnesium | EA | \$62.32 | \$6.23 | 10 | 100 |
| Push-button mechanisms | | | | | | |
| 572000 | Push-button 1 way 6A 250V a.c. 1 module white | EA | \$5.50 | \$0.55 | 10 | 100 |
| 572500 | Push-button 1 way 6A 250V a.c. 1 module magnesium | EA | \$6.32 | \$0.63 | 10 | 100 |
| 572001 | Push-button 2 way 6A 250V a.c. 1 module white | EA | \$7.16 | \$0.72 | 10 | 100 |
| 572501 | Push-button 2 way 6A 250V a.c. 1 module magnesium | EA | \$8.25 | \$0.82 | 10 | 100 |
| 572002 | Push-button 2 way 6A 250V a.c. with blue LED 1 module white | EA | \$7.88 | \$0.79 | 10 | 100 |
| 572502 | Push-button 2 way 6A 250V a.c. with blue LED 1 module magnesium | EA | \$9.06 | \$0.91 | 10 | 100 |
| 572003 | Push-button 2 way 6A 250V a.c. with label holder 1 module white | EA | \$7.88 | \$0.79 | 10 | 100 |
| 572503 | Push-button 2 way 6A 250V a.c. with label holder 1 module magnesium | EA | \$9.06 | \$0.91 | 10 | 100 |
| 572015 | Push-button 1 way 6A 250V a.c. with bell symbol 1 module white | EA | \$7.46 | \$0.75 | 10 | 100 |
| 572515 | Push-button 1 way 6A 250V a.c. with bell symbol 1 module magnesium | EA | \$8.60 | \$0.86 | 10 | 100 |
| 572016 | Push-button 6A 250V a.c. with blue LED & bell symbol 1 module white | EA | \$9.05 | \$0.90 | 10 | 100 |
| 572516 | Push-button 6A 250V a.c. with blue LED & bell symbol 1 module magnesium | EA | \$12.00 | \$1.20 | 10 | 100 |



New product



Energy Saving products

More info available.
See technical pages

Coming soon



Product to be discontinued

Whilst most items are stock lines some products are made to order. UoM = Unit Of Measure.
Prices are effective 1 June 2017 and are subject to change without notice. Trade prices exclude GST.

Arteor modular series

Mechanisms to be installed in Arteor modular series grids



572033



AR920/770AMWE



AR787WE



AR787AMWE



AR787ARMMGN



572239

| Cat.Nos | Switch mechanism | UoM | Trade price \$ | GST \$ | Box qty | Carton qty |
|--|---|-----|----------------|---------|---------|------------|
| Push-button mechanisms | | | | | | |
| 572030 | Push-button 1 way 6A 250V a.c. 2 module white | EA | \$6.90 | \$0.69 | 10 | 100 |
| 572530 | Push-button 1 way 6A 250V a.c. 2 module magnesium | EA | \$7.92 | \$0.79 | 10 | 100 |
| 572031 | Push-button 2 way 6A 250V a.c. 2 module white | EA | \$9.00 | \$0.90 | 10 | 100 |
| 572531 | Push-button 2 way 6A 250V a.c. 2 module magnesium | EA | \$10.34 | \$1.03 | 10 | 100 |
| 572032 | Push-button 2 way 6A 250V a.c. with blue LED 2 module white | EA | \$9.00 | \$0.90 | 10 | 100 |
| 572532 | Push-button 2 way 6A 250V a.c. with blue LED 2 module magnesium | EA | \$9.00 | \$0.90 | 10 | 100 |
| 572033 | Push-button 2 way 6A 250V a.c. with label holder 2 module white | EA | \$7.88 | \$0.79 | 10 | 100 |
| 572533 | Push-button 2 way 6A 250V a.c. with label holder 2 module magnesium | EA | \$9.06 | \$0.91 | 10 | 100 |
| 572056 | Push-button 1 way 6A 250V a.c. with bell symbol 2 module white | EA | \$8.33 | \$0.83 | 10 | 100 |
| 572556 | Push-button 1 way 6A 250V a.c. with bell symbol 2 module magnesium | EA | \$9.59 | \$0.96 | 10 | 100 |
| Dimmer mechanisms | | | | | | |
| 572239 | Universal dimmer 2 wire 250V a.c. 2 module white | EA | \$133.00 | \$13.30 | 10 | 100 |
| 572739 | Universal dimmer 2 wire 250V a.c. 2 module magnesium | EA | \$139.00 | \$13.90 | 10 | 100 |
| Blank modules | | | | | | |
| 572341 | Blank 1 module plastic white | EA | \$2.11 | \$0.21 | 10 | 100 |
| 572841 | Blank 1 module plastic magnesium | EA | \$2.43 | \$0.24 | 10 | 100 |
| 572342 | Blank 2 module plastic white | EA | \$2.43 | \$0.24 | 10 | 100 |
| 572842 | Blank 2 module plastic magnesium | EA | \$4.79 | \$0.48 | 10 | 100 |
| 572343 | Blank 3 module plastic white | EA | \$5.22 | \$0.52 | 10 | 100 |
| 572843 | Blank 3 module plastic magnesium | EA | \$6.00 | \$0.60 | 10 | 100 |
| Adaptor module for 770 mechanisms | | | | | | |
| AR920/770AMWE | Arteor 2 module adaptor for 770 series mechanisms white | EA | \$3.59 | \$0.36 | 10 | 100 |
| AR920/770AMMGN | Arteor 2 module adaptor for 770 series mechanisms magnesium | EA | \$4.41 | \$0.44 | 10 | 100 |
| Powerpoint mechanisms | | | | | | |
| Single powerpoint mechanisms | | | | | | |
| AR787WE | Powerpoint 1 gang 10A 240V a.c. white | EA | \$14.52 | \$1.45 | 10 | 100 |
| AR787MGN | Powerpoint 1 gang 10A 240V a.c. magnesium | EA | \$16.73 | \$1.67 | 10 | 100 |
| AR787AMWE | Powerpoint 1 gang 10A 240V a.c. autoswitch white | EA | \$14.27 | \$1.43 | 10 | 100 |
| AR787AMMGN | Powerpoint 1 gang 10A 240V a.c. autoswitch magnesium | EA | \$16.73 | \$1.67 | 10 | 100 |
| AR787ARMWE | Powerpoint 1 gang 10A 240V a.c. autoswitch with round earth white | EA | \$55.64 | \$5.56 | 10 | 100 |
| AR787ARMMGN | Powerpoint 1 gang 10A 240V a.c. autoswitch with round earth magnesium | EA | \$64.00 | \$6.40 | 10 | 100 |
| AR787/15AMWE | Powerpoint 1 gang 15A 240V a.c. autoswitch white | EA | \$28.82 | \$2.88 | 10 | 100 |
| AR787/15AMMGN | Powerpoint 1 gang 15A 240V a.c. autoswitch magnesium | EA | \$33.14 | \$3.31 | 10 | 100 |



New product



Energy Saving products

More info available.
See technical pages

Coming soon



Product to be discontinued

Arteor modular series

Mechanisms to be installed in Arteor modular series grids



572163



572800



572802

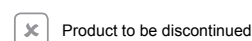
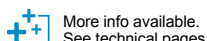
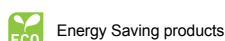
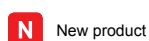


AR9102FFFOXWME



572315

| Cat.Nos | Phone, TV, data & AV sockets | UoM | Trade price \$ | GST \$ | Box qty | Carton qty |
|---|---|-----|----------------|--------|---------|------------|
| Phone sockets | | | | | | |
| 572300 | Phone mech. 4 contacts 1 module white | EA | \$11.09 | \$1.11 | 10 | 100 |
| 572800 | Phone mech. 4 contacts 1 module magnesium | EA | \$12.76 | \$1.28 | 10 | 100 |
| 572312 | Phone mech. 6 contacts 2 module white | EA | \$11.09 | \$1.11 | 10 | 100 |
| 572812 | Phone mech. 6 contacts 2 module magnesium | EA | \$12.76 | \$1.28 | 10 | 100 |
| 572313 | Phone mech. 4 contacts 2 module white | EA | \$11.09 | \$1.11 | 10 | 100 |
| 572813 | Phone mech. 4 contacts 2 module magnesium | EA | \$12.76 | \$1.28 | 10 | 100 |
| Phone/Ethernet wiring splitter | | | | | | |
| 572335 | Tel./data splitter UTP double connector 10/100Mbps 1 module white | EA | \$28.96 | \$2.90 | 10 | 100 |
| 572835 | Tel./data splitter UTP double connector 10/100Mbps 1 module magnesium | EA | \$33.31 | \$3.33 | 10 | 100 |
| TV sockets | | | | | | |
| 572163 | TV socket F-type shielded with screws 0-2.4GHz 1 module white | EA | \$5.50 | \$0.55 | 10 | 100 |
| 572663 | TV socket F-type shielded with screws 0-2.4GHz 1 module magnesium | EA | \$6.32 | \$0.63 | 10 | 100 |
| 571907 | TV socket F-type cable & pay TV 0-2.4GHz 1 module white | EA | \$7.23 | \$0.72 | 10 | 100 |
| 571957 | TV socket F-type cable & pay TV 0-2.4GHz 1 module magnesium | EA | \$8.29 | \$0.83 | 10 | 100 |
| 572171 | TV socket male shielded 0-2.4GHz 1 module white | EA | \$5.63 | \$0.56 | 10 | 100 |
| 572671 | TV socket male shielded 0-2.4GHz 1 module magnesium | EA | \$6.32 | \$0.63 | 10 | 100 |
| AR9102FFFOXWME | TV mech. Foxtel approved 3GHz 1 module white | EA | \$11.79 | \$1.18 | 10 | 120 |
| AR9102FFFOXMMGN | TV mech. Foxtel approved 3GHz 1 module magnesium | EA | \$12.85 | \$1.28 | 10 | 120 |
| RJ45 sockets - fast connection LCS² | | | | | | |
| 572306 | RJ45 mech. STP Cat6A Fast connection 1 module white | EA | \$19.90 | \$1.99 | 10 | 100 |
| 572806 | RJ45 mech. STP Cat6A Fast connection 1 module magnesium | EA | \$21.90 | \$2.19 | 10 | 100 |
| 572349 | RJ45 mech. UTP Cat6A Fast connection 1 module white | EA | \$16.90 | \$1.69 | 10 | 100 |
| 572849 | RJ45 mech. UTP Cat6A Fast connection 1 module magnesium | EA | \$18.90 | \$1.89 | 10 | 100 |
| 572302 | RJ45 mech. UTP Cat6 Fast connection 1 module white | EA | \$15.11 | \$1.51 | 10 | 100 |
| 572802 | RJ45 mech. UTP Cat6 Fast connection 1 module magnesium | EA | \$17.38 | \$1.74 | 10 | 100 |
| 572314 | RJ45 mech. UTP Cat6 Fast connection 2 module white | EA | \$15.11 | \$1.51 | 10 | 100 |
| 572814 | RJ45 mech. UTP Cat6 Fast connection 2 module magnesium | EA | \$17.38 | \$1.74 | 10 | 100 |
| 572303 | RJ45 mech. UTP Cat5e Fast connection 1 module white | EA | \$14.36 | \$1.44 | 10 | 100 |
| 572803 | RJ45 mech. UTP Cat5e Fast connection 1 module magnesium | EA | \$16.52 | \$1.65 | 10 | 100 |
| 572315 | RJ45 mech. UTP Cat5e Fast connection 2 module white | EA | \$14.36 | \$1.44 | 10 | 100 |
| 572815 | RJ45 mech. UTP Cat5e Fast connection 2 module magnesium | EA | \$16.52 | \$1.65 | 10 | 100 |



Whilst most items are stock lines some products are made to order. UoM = Unit Of Measure.
Prices are effective 1 June 2017 and are subject to change without notice. Trade prices exclude GST.

Arteor modular series

Mechanisms to be installed in Arteor modular series grids



572331



572831



AR910USBMGN



AR910HDMIMWE

| Cat.Nos | Phone, TV, data & AV sockets | UoM | Trade price \$ | GST \$ | Box qty | Carton qty |
|--------------------------------------|--|-----|----------------|--------|---------|------------|
| RJ45 sockets - rear pluggable | | | | | | |
| 572331 | RJ45 mech. UTP Cat6 rear pluggable 2 module white | EA | \$25.59 | \$2.56 | 10 | 100 |
| 572831 | RJ45 mech. UTP Cat6 rear pluggable 2 module magnesium | EA | \$29.47 | \$2.95 | 10 | 100 |
| 572330 | RJ45 mech. UTP Cat5e rear pluggable 2 module white | EA | \$24.32 | \$2.43 | 10 | 100 |
| 572830 | RJ45 mech. UTP Cat5e rear pluggable 2 module magnesium | EA | \$27.98 | \$2.80 | 10 | 100 |
| USB sockets | | | | | | |
| AR910USBMWE | USB mech. v3 1 module white | EA | \$36.23 | \$3.62 | 10 | 120 |
| AR910USBMGN | USB mech. v3 1 module magnesium | EA | \$39.48 | \$3.95 | 10 | 120 |
| HDMI sockets | | | | | | |
| AR910HDMIMWE | HDMI mech. v1.4 1 module white | EA | \$38.14 | \$3.81 | 10 | 120 |
| AR910HDMIMGN | HDMI mech. v1.4 1 module magnesium | EA | \$41.55 | \$4.16 | 10 | 120 |
| 572281 | HDMI mech. 2 module white | EA | \$59.77 | \$5.98 | 10 | 100 |

Arteor modular series

Mechanisms to be installed in Arteor modular series grids



572053



574062



572221

| Cat.Nos | Electronic devices | UoM | Trade price \$ | GST \$ | Box qty | Carton qty |
|------------------------------|---|-----|----------------|---------|---------|------------|
| Automatic switches | | | | | | |
| 572053 | Auto. switch 3 wire 1000W 240V a.c. td 1s-16mn 3-1000 lux 2 module white | EA | \$116.47 | \$11.65 | 10 | 100 |
| 574061 | Auto. switch 3 wire 400W 250V a.c. 2 module magnesium | EA | \$133.92 | \$13.39 | - | 20 |
| 572051 | No touch switch 1000W 100/240V a.c. 2 module white | EA | \$190.66 | \$19.07 | 10 | 100 |
| Skirting lights | | | | | | |
| 572221 | Skirting light 0.2/1W 230V a.c. 2 module white | EA | \$64.89 | \$6.49 | - | 20 |
| 574082 | Skirting light 0.2/1W 230V a.c. 2 module magnesium | EA | \$74.66 | \$7.47 | - | 20 |
| 572226 | Skirting light with IR sensor & alarm 1W 100-230V a.c. 2 module white | EA | \$127.18 | \$12.72 | - | 20 |
| 572726 | Skirting light with IR sensor & alarm 1W 100-230V a.c. 2 module magnesium | EA | \$146.25 | \$14.62 | - | 20 |
| Time-delay switch | | | | | | |
| 572055 | Time-delay 2 wire 1000W 240V a.c. 2 module white | EA | \$181.52 | \$18.15 | 10 | 100 |
| Illuminated signs | | | | | | |
| 572225 | LED sign blue 1W 240V a.c. accepts custom labels 2 module white frame | EA | \$61.28 | \$6.13 | 10 | 100 |
| 572224 | LED sign red or green 1W 240V a.c. accepts custom labels 2 module white frame | EA | \$61.28 | \$6.13 | 10 | 100 |
| 572724 | LED sign red or green 1W 240V a.c. accepts custom labels 2 module magnesium frame | EA | \$55.19 | \$5.52 | 10 | 100 |
| 572452 | Illuminated light 1W 230V a.c. supplied with 4 coloured labels 1 module white | EA | \$22.81 | \$2.28 | 10 | 100 |
| 572453 | Overdoor lighting unit with red diffuser 2 module white | EA | \$64.34 | \$6.43 | 10 | 100 |
| 572223 | Overdoor lighting unit with white diffuser 2 module white | EA | \$64.34 | \$6.43 | 10 | 100 |
| Lighting unit | | | | | | |
| 572222 | Miniature safety lighting unit illuminates upon power failure 2 module white | EA | \$195.37 | \$19.54 | 10 | 100 |
| Emergency stop button | | | | | | |
| 572363 | Mushroom emergency push-button NO+NC 10A 240V a.c. 2 module yellow/red | EA | \$33.89 | \$3.39 | 10 | 100 |
| Buzzers | | | | | | |
| 572204 | Buzzer 230V a.c. 1 module white | EA | \$42.92 | \$4.29 | 10 | 100 |
| 572207 | Buzzer 230V a.c. 2 module white | EA | \$110.06 | \$11.01 | 10 | 100 |

Arteor modular series

Coverplates for Arteor modular series



575250



575231



576431 + AR787AMWE



575254



575273



576435 + 572053

| Cat.Nos | Square coverplates | UoM | Trade price \$ | GST \$ | Box qty | Carton qty |
|------------------------|--|-----|----------------|--------|---------|------------|
| White | | | | | | |
| 575250 | Coverplate vertical 2 module white | EA | \$3.50 | \$0.35 | 10 | 120 |
| 575230 | Coverplate horizontal 2 module white | EA | \$3.50 | \$0.35 | 10 | 120 |
| 575010 | Coverplate horizontal 3 module white | EA | \$3.50 | \$0.35 | 10 | 120 |
| Pearl aluminium | | | | | | |
| 575251 | Coverplate vertical 2 module pearl alu | EA | \$6.25 | \$0.62 | 10 | 120 |
| 575231 | Coverplate horizontal 2 module pearl alu | EA | \$6.25 | \$0.62 | 10 | 120 |
| 575011 | Coverplate horizontal 3 module pearl alu | EA | \$6.25 | \$0.62 | 5 | 50 |
| Graphite | | | | | | |
| 575252 | Coverplate vertical 2 module graphite | EA | \$6.25 | \$0.62 | 10 | 120 |
| 575232 | Coverplate horizontal 2 module graphite | EA | \$6.25 | \$0.62 | 10 | 120 |
| 575012 | Coverplate horizontal 3 module graphite | EA | \$6.25 | \$0.62 | 5 | 50 |
| Tattoo | | | | | | |
| 576438 | Coverplate 2 module tattoo | EA | \$19.18 | \$1.92 | - | 40 |
| 576458 | Coverplate 3 module tattoo | EA | \$19.18 | \$1.92 | - | 40 |
| Casual | | | | | | |
| 576431 | Coverplate 2 module casual | EA | \$47.95 | \$4.80 | - | 40 |
| 576451 | Coverplate 3 module casual | EA | \$47.95 | \$4.80 | - | 40 |
| Formal | | | | | | |
| 576432 | Coverplate 2 module formal | EA | \$47.95 | \$4.80 | - | 40 |
| 576452 | Coverplate 3 module formal | EA | \$47.95 | \$4.80 | - | 40 |
| Mirror white | | | | | | |
| 575254 | Coverplate 2 module mirror white | EA | \$47.63 | \$4.76 | - | 40 |
| 575274 | Coverplate 3 module mirror white | EA | \$47.63 | \$4.76 | - | 40 |
| Mirror black | | | | | | |
| 575253 | Coverplate 2 module mirror black | EA | \$47.63 | \$4.76 | - | 40 |
| 575273 | Coverplate 3 module mirror black | EA | \$47.63 | \$4.76 | - | 40 |
| Mirror red | | | | | | |
| 576436 | Coverplate 2 module mirror red | EA | \$47.63 | \$4.76 | - | 40 |
| 576456 | Coverplate 3 module mirror red | EA | \$47.63 | \$4.76 | - | 40 |
| Mirror taupe | | | | | | |
| 576435 | Coverplate 2 module mirror taupe | EA | \$47.63 | \$4.76 | - | 40 |
| 576455 | Coverplate 3 module mirror taupe | EA | \$47.63 | \$4.76 | - | 40 |



New product



Energy Saving products

More info available.
See technical pages

Coming soon



Product to be discontinued

Arteor modular series

Coverplates and grids for Arteor modular series



575256



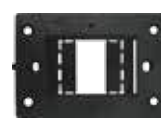
576430



576439



575275



571920



571910

| Cat.Nos | | UoM | Trade price \$ | GST \$ | Box qty | Carton qty |
|--|---|-----|----------------|---------|---------|------------|
| Square coverplates | | | | | | |
| Stainless steel – genuine materials | | | | | | |
| 575256 | Coverplate 2 module stainless steel | EA | \$59.52 | \$5.95 | - | 40 |
| 575276 | Coverplate 3 module stainless steel | EA | \$59.52 | \$5.95 | - | 40 |
| Gold brass | | | | | | |
| 576430 | Coverplate 2 module gold brass | EA | \$59.52 | \$5.95 | - | 40 |
| 576450 | Coverplate 3 module gold brass | EA | \$59.52 | \$5.95 | - | 40 |
| Light oak | | | | | | |
| 576439 | Coverplate 2 module oak | EA | \$86.32 | \$8.63 | - | 40 |
| 576459 | Coverplate 3 module oak | EA | \$86.32 | \$8.63 | - | 40 |
| Wenge style | | | | | | |
| 575255 | Coverplate 2 module wenge wood | EA | \$86.32 | \$8.63 | - | 40 |
| 575275 | Coverplate 3 module wenge wood | EA | \$86.32 | \$8.63 | - | 40 |
| Club leather | | | | | | |
| 576433 | Coverplate 2 module leather club | EA | \$110.28 | \$11.03 | - | 40 |
| 576453 | Coverplate 3 module leather club | EA | \$208.47 | \$20.85 | - | 40 |
| Galuchat leather | | | | | | |
| 576434 | Coverplate 2 module galuchat | EA | \$198.54 | \$19.85 | - | 40 |
| 576454 | Coverplate 3 module galuchat | EA | \$198.54 | \$19.85 | - | 40 |
| Woven metal | | | | | | |
| 576437 | Coverplate 2 module woven metal | EA | \$155.84 | \$15.58 | - | 40 |
| 576457 | Coverplate 3 module woven metal | EA | \$155.84 | \$15.58 | - | 40 |
| Blanks | | | | | | |
| 575410 | Coverplate vertical blank for 2"x4" boxes metal white | EA | \$3.50 | \$0.35 | 10 | 120 |
| 575411 | Coverplate vertical blank for 2"x4" boxes metal pearl alu | EA | \$6.25 | \$0.62 | 10 | 120 |
| 575412 | Coverplate vertical blank for 2"x4" boxes metal graphite | EA | \$6.25 | \$0.62 | 10 | 120 |
| Grids | | | | | | |
| 571910 | Grid vertical 2 module 84mm mounting centres dark grey | EA | \$2.30 | \$0.23 | 10 | 60 |
| 571920 | Grid horizontal 2 or 3 module 84mm mounting centres dark grey | EA | \$2.09 | \$0.21 | 10 | 60 |



New product



Energy Saving products

More info available.
See technical pages

Coming soon



Product to be discontinued

Whilst most items are stock lines some products are made to order. UoM = Unit Of Measure.
Prices are effective 1 June 2017 and are subject to change without notice. Trade prices exclude GST.

Architectural Metal

Switches



MS770/1LPWE



MS770/2LPWE



MS770/3LPBL



MS770/5LPWE



MS770/6LPWE

| Cat.Nos | Vertical switches | UoM | Trade price \$ | GST \$ | Box qty | Carton qty |
|--|---|-----|----------------|---------|---------|------------|
| Rocker switches - Single Pole Double Throw (SPDT) | | | | | | |
| MS770/1LPWE | Switch 1 gang 2 way 10A 240V a.c. white stainless steel plate | EA | \$57.67 | \$5.77 | 5 | - |
| MS770/1LPBL | Switch 1 gang 2 way 10A 240V a.c. black stainless steel plate | EA | \$57.67 | \$5.77 | 5 | - |
| MS770/2LPWE | Switch 2 gang 2 way 10A 240V a.c. white stainless steel plate | EA | \$75.02 | \$7.50 | 5 | - |
| MS770/2LPBL | Switch 2 gang 2 way 10A 240V a.c. black stainless steel plate | EA | \$75.02 | \$7.50 | 5 | - |
| MS770/3LPWE | Switch 3 gang 2 way 10A 240V a.c. white stainless steel plate | EA | \$90.04 | \$9.00 | 5 | - |
| MS770/3LPBL | Switch 3 gang 2 way 10A 240V a.c. black stainless steel plate | EA | \$90.04 | \$9.00 | 5 | - |
| MS770/4LPWE | Switch 4 gang 2 way 10A 240V a.c. white stainless steel plate | EA | \$109.16 | \$10.92 | 5 | - |
| MS770/4LPBL | Switch 4 gang 2 way 10A 240V a.c. black stainless steel plate | EA | \$109.16 | \$10.92 | 5 | - |
| MS770/5LPWE | Switch 5 gang 2 way 10A 240V a.c. white stainless steel plate | EA | \$127.17 | \$12.72 | 5 | - |
| MS770/5LPBL | Switch 5 gang 2 way 10A 240V a.c. black stainless steel plate | EA | \$127.17 | \$12.72 | 5 | - |
| MS770/6LPWE | Switch 6 gang 2 way 10A 240V a.c. white stainless steel plate | EA | \$150.11 | \$15.01 | 5 | - |



New product



Energy Saving products



More info available.
See technical pages



Coming soon



Product to be discontinued

Architectural Metal

Powerpoints



MS791LPWE



MS798



MS798EL30



MS777LPWE



MS788LPWE

| Cat.Nos | | UoM | Trade price \$ | GST \$ | Box qty | Carton qty |
|--|--|-----|----------------|---------|---------|------------|
| Horizontal powerpoints | | | | | | |
| Single powerpoints | | | | | | |
| MS791LPWE | Powerpoint 1 gang 10A 240V a.c. white stainless steel plate | EA | \$78.55 | \$7.86 | 10 | 100 |
| MS791LPBL | Powerpoint 1 gang 10A 240V a.c. black stainless steel plate | EA | \$79.03 | \$7.90 | 10 | 100 |
| MS791/15LPWE | Powerpoint 1 gang 15A 240V a.c. white stainless steel plate | EA | \$91.06 | \$9.11 | 10 | 100 |
| MS791/15LPBL | Powerpoint 1 gang 15A 240V a.c. black stainless steel plate | EA | \$91.88 | \$9.19 | 10 | 100 |
| Single powerpoints with shaver outlet | | | | | | |
| MS798 | Powerpoint 1 gang 10A 240V a.c. with shaver outlet and safety shutters white | EA | \$446.07 | \$44.61 | - | - |
| MS798BL | Powerpoint 1 gang 10A 240V a.c. with shaver outlet and safety shutters black | EA | \$446.07 | \$44.61 | - | - |
| MS798EL30 | Powerpoint 1 gang 10A 240V a.c. with shaver outlet and RCD 30mA white | EA | \$886.09 | \$88.61 | - | - |
| Double powerpoints | | | | | | |
| MS777LPWE | Powerpoint 2 gang 10A 240V a.c. white stainless steel plate | EA | \$124.48 | \$12.45 | 5 | 50 |
| MS777LPBL | Powerpoint 2 gang 10A 240V a.c. black stainless steel plate | EA | \$124.48 | \$12.45 | - | - |
| MS777NSLPWE | Powerpoint 2 gang 10A 240V a.c. white with safety shutters & neons stainless steel plate | EA | \$188.31 | \$18.83 | - | - |
| MS777NSLPBL | Powerpoint 2 gang 10A 240V a.c. black with safety shutters & neons stainless steel plate | EA | \$188.31 | \$18.83 | 5 | - |
| MS777XLPWE | Powerpoint 2 gang 10A 240V a.c. white with extra switch stainless steel plate | EA | \$141.21 | \$14.12 | 5 | - |
| MS777XLPBL | Powerpoint 2 gang 10A 240V a.c. black with extra switch stainless steel plate | EA | \$141.21 | \$14.12 | 5 | - |
| MS738/20LPWE | Powerpoint 2 gang 20A 240V a.c. white stainless steel plate | EA | \$115.03 | \$11.50 | 5 | - |
| MS738/20LPBL | Powerpoint 2 gang 20A 240V a.c. black stainless steel plate | EA | \$115.03 | \$11.50 | 5 | - |
| Vertical powerpoints | | | | | | |
| Single powerpoints | | | | | | |
| MS788LPWE | Powerpoint 1 gang 10A 240V a.c. white stainless steel plate | EA | \$79.28 | \$7.93 | - | - |
| MS788LPBL | Powerpoint 1 gang 10A 240V a.c. black stainless steel plate | EA | \$79.28 | \$7.93 | - | - |
| MS788/15PLPWE | Powerpoint 1 gang 15A 240V a.c. white stainless steel plate | EA | \$96.41 | \$9.64 | - | - |
| Single powerpoints with shaver outlet | | | | | | |
| MS798V | Powerpoint 1 gang 10A 240V a.c. with shaver outlet & safety shutters white | EA | \$446.07 | \$44.61 | - | - |
| MS798VBL | Powerpoint 1 gang 10A 240V a.c. with shaver outlet & safety shutters black | EA | \$446.07 | \$44.61 | - | - |
| MS798VEL30 | Powerpoint 1 gang 10A 240V a.c. with shaver outlet & RCD 30mA white | EA | \$886.09 | \$88.61 | - | - |



New product



Energy Saving products



More info available. See technical pages



Coming soon



Product to be discontinued

Whilst most items are stock lines some products are made to order. UoM = Unit Of Measure. Prices are effective 1 June 2017 and are subject to change without notice. Trade prices exclude GST.

Architectural Metal

Mechanisms



M787MWE



M788MWE



M788NSMWE

| Cat.Nos | Powerpoint mechanisms | UoM | Trade price \$ | GST \$ | Box qty | Carton qty |
|-------------------|--|-----|----------------|---------|---------|------------|
| Horizontal | | | | | | |
| M787MWE | Single powerpoint mech. 10A 240V a.c. white | EA | \$30.74 | \$3.07 | 10 | - |
| M787MBL | Single powerpoint mech. 10A 240V a.c. black | EA | \$30.74 | \$3.07 | 10 | - |
| Vertical | | | | | | |
| M788MWE | Single powerpoint mech. 10A 240V a.c. white | EA | \$30.74 | \$3.07 | 10 | - |
| M788MBL | Single powerpoint mech. 10A 240V a.c. black | EA | \$30.74 | \$3.07 | 10 | - |
| M788MRED | Single powerpoint mech. 10A 240V a.c. red | EA | \$38.68 | \$3.87 | 10 | - |
| M788NSMWE | Single powerpoint mech. 10A 240V a.c. with safety shutters & red neon white | EA | \$55.97 | \$5.60 | 10 | - |
| M788NSMCR | Single powerpoint mech. 10A 240V a.c. with safety shutters & red neon cream | EA | \$66.22 | \$6.62 | 10 | - |
| M788NSMRED | Single powerpoint mech. 10A 240V a.c. with safety shutters & red neon red | EA | \$63.91 | \$6.39 | 10 | - |
| M788PMWE | Single powerpoint mech. double pole 10A 240V a.c. white | EA | \$49.02 | \$4.90 | 10 | - |
| M788PNSMWE | Single powerpoint mech. double pole 10A 240V a.c. with safety shutters & red neon white | EA | \$71.28 | \$7.13 | 10 | - |
| M788PNSMBL | Single powerpoint mech. double pole 10A 240V a.c. with safety shutters & red neon black | EA | \$71.28 | \$7.13 | 10 | - |
| M788PNSMRED | Single powerpoint mech. double pole 10A 240V a.c. with safety shutters & red neon red | EA | \$79.26 | \$7.93 | 10 | - |
| M788PNHMWE | Single powerpoint mech. double pole 10A 240V a.c. with safety shutters & red neon hospital use white | EA | \$87.49 | \$8.75 | 10 | - |
| M788PNHMSP | Single powerpoint mech. double pole 10A 240V a.c. with safety shutters & amber neon | EA | \$108.69 | \$10.87 | 10 | - |
| M78815MWE | Single powerpoint mech. 15A 240V a.c. white | EA | \$35.89 | \$3.59 | 10 | - |



New product



Energy Saving products



More info available.
See technical pages



Coming soon



Product to be discontinued

Architectural Metal

Grid & plates



MS770/1GPOLPWE



ES3-3



MG670WE

| Cat.Nos | Grid & plates | UoM | Trade price \$ | GST \$ | Box qty | Carton qty |
|------------------------------------|--|-----|----------------|----------|---------|------------|
| MS770/1GPOLPWE | Grid & stainless steel plate 1 gang white | EA | \$44.83 | \$4.48 | - | - |
| MS770/1GPOLPBL | Grid & stainless steel plate 1 gang black | EA | \$51.67 | \$5.17 | - | - |
| MS770/2GPOLPWE | Grid & stainless steel plate 2 gang white | EA | \$53.95 | \$5.40 | - | - |
| MS770/3GPOLPWE | Grid & stainless steel plate 3 gang white | EA | \$57.84 | \$5.78 | - | - |
| MS770/4GPOLPWE | Grid & stainless steel plate 4 gang white | EA | \$66.08 | \$6.61 | - | - |
| MS770/5GPOLPWE | Grid & stainless steel plate 5 gang white | EA | \$74.15 | \$7.42 | - | - |
| MS770/6GPOLPWE | Grid & stainless steel plate 6 gang white | EA | \$75.22 | \$7.52 | - | - |
| ES3-2 | Grid & stainless steel plate 6 gang white with wall box | EA | \$334.57 | \$33.46 | - | - |
| ES4-2WE | Grid & stainless steel plate 8 gang white with wall box | EA | \$523.43 | \$52.34 | - | - |
| ES4-2BL | Grid & stainless steel plate 8 gang black with wall box | EA | \$523.43 | \$52.34 | - | - |
| ES3-3 | Grid & stainless steel plate 9 gang white with wall box | EA | \$474.78 | \$47.48 | - | - |
| ES4-3 | Grid & stainless steel plate 12 gang white with wall box | EA | \$635.42 | \$63.54 | - | - |
| ES6-2 | Grid & stainless steel plate 12 gang white with wall box | EA | \$750.21 | \$75.02 | - | - |
| ES6-3WE | Grid & stainless steel plate 18 gang white with wall box | EA | \$1,027.94 | \$102.79 | - | - |
| ES9-2WE | Grid & stainless steel plate 18 gang white with wall box | EA | \$917.14 | \$91.71 | - | - |
| ES9-2BL | Grid & stainless steel plate 18 gang black with wall box | EA | \$917.14 | \$91.71 | - | - |
| ES12-2WE | Grid & stainless steel plate 24 gang white with wall box | EA | \$1,084.04 | \$108.40 | - | - |
| ES12-2BL | Grid & stainless steel plate 24 gang black with wall box | EA | \$1,084.04 | \$108.40 | - | - |
| ES15-2 | Grid & stainless steel plate 30 gang white with wall box | EA | \$1,214.89 | \$121.49 | - | - |
| ES18-2 | Grid & stainless steel plate 36 gang white with wall box | EA | \$1,398.06 | \$139.81 | - | - |
| ES21-2 | Grid & stainless steel plate 42 gang white with wall box | EA | \$1,505.47 | \$150.55 | - | - |
| ES24-2 | Grid & stainless steel plate 48 gang white with wall box | EA | \$1,549.82 | \$154.98 | - | - |
| For Multi & Esco series | | | | | | |
| MG670WE | Grid 1 gang white to suit Esco & Multi ranges plastic | EA | \$9.14 | \$0.91 | 10 | - |
| MG670BL | Grid 1 gang black to suit Esco & Multi ranges plastic | EA | \$9.14 | \$0.91 | 10 | - |
| MG672WE | Grid 2 gang white to suit Esco & Multi ranges plastic | EA | \$9.14 | \$0.91 | 10 | - |
| MG672BL | Grid 2 gang black to suit Esco & Multi ranges plastic | EA | \$9.14 | \$0.91 | 10 | - |
| MG673WE | Grid 3 gang white to suit Esco & Multi ranges plastic | EA | \$9.88 | \$0.99 | 10 | - |
| MG673BL | Grid 3 gang black to suit Esco & Multi ranges plastic | EA | \$9.88 | \$0.99 | 10 | - |



New product



Energy Saving products



More info available.
See technical pages



Coming soon



Product to be discontinued

Whilst most items are stock lines some products are made to order. UoM = Unit Of Measure.
Prices are effective 1 June 2017 and are subject to change without notice. Trade prices exclude GST.

Architectural Metal

Coverplates & installation accessories



MS788/2WE



MS788/4

| Cat.Nos | | UoM | Trade price \$ | GST \$ | Box qty | Carton qty |
|--------------------------------------|---|-----|----------------|---------|---------|------------|
| Double powerpoint coverplates | | | | | | |
| MS788/2WE | Coverplate 2 gang with wall box cat no 920 stainless steel | EA | \$146.63 | \$14.66 | - | - |
| MS788/2BL | Coverplate 2 gang with wall box cat no 920 stainless steel | EA | \$146.63 | \$14.66 | - | - |
| 4 gang powerpoint coverplates | | | | | | |
| MS788/4 | Coverplate 4 gang with wall box cat no 940 stainless steel | EA | \$29.33 | \$27.06 | - | - |
| Inserts | | | | | | |
| for Multi & Esco range | | | | | | |
| 801/1WE | Insert for 2 gang multi series & Esco plates engravable white | EA | \$1.79 | \$0.18 | 50 | - |
| 801/1BL | Insert for 2 gang multi series & Esco plates engravable black | EA | \$1.79 | \$0.18 | 50 | - |
| Mounting bracket | | | | | | |
| For MS777LP series | | | | | | |
| 717/1 | Mounting bracket for Architectural double powerpoint MS777 | EA | \$9.30 | \$0.93 | - | - |



New product



Energy Saving products



More info available.
See technical pages



Coming soon



Product to be discontinued

Linea

Switches



LN770/1WE



LN770/2WE



LN770/3BL



LN770/6CR



LN400LWE



LN3FCWE

| Cat.Nos | Vertical switches | UoM | Trade price \$ | GST \$ | Box qty | Carton qty |
|--|---|-----|----------------|---------|---------|------------|
| Rocker switches - Single Pole Double Throw (SPDT) | | | | | | |
| LN770/1WE | Switch 1 gang 2 way 240V a.c. white | EA | \$10.41 | \$1.04 | 10 | 80 |
| LN770/1BL | Switch 1 gang 2 way 240V a.c. black | EA | \$10.85 | \$1.08 | 10 | 80 |
| LN770/1CR | Switch 1 gang 2 way 240V a.c. cream | EA | \$10.85 | \$1.08 | 10 | 80 |
| LN770/2WE | Switch 2 gang 2 way 240V a.c. white | EA | \$16.82 | \$1.68 | 10 | 80 |
| LN770/2BL | Switch 2 gang 2 way 240V a.c. black | EA | \$17.53 | \$1.75 | 10 | 80 |
| LN770/2CR | Switch 2 gang 2 way 240V a.c. cream | EA | \$17.53 | \$1.75 | 10 | 80 |
| LN770/3WE | Switch 3 gang 2 way 240V a.c. white | EA | \$30.40 | \$3.04 | 10 | 80 |
| LN770/3BL | Switch 3 gang 2 way 240V a.c. black | EA | \$30.40 | \$3.04 | 10 | 80 |
| LN770/3CR | Switch 3 gang 2 way 240V a.c. cream | EA | \$30.40 | \$3.04 | 10 | 80 |
| LN770/4WE | Switch 4 gang 2 way 240V a.c. white | EA | \$47.39 | \$4.74 | 10 | 80 |
| LN770/4BL | Switch 4 gang 2 way 240V a.c. black | EA | \$47.39 | \$4.74 | 10 | 80 |
| LN770/4CR | Switch 4 gang 2 way 240V a.c. cream | EA | \$47.39 | \$4.74 | 10 | 80 |
| LN770/5WE | Switch 5 gang 2 way 240V a.c. white | EA | \$66.96 | \$6.70 | 10 | 80 |
| LN770/5BL | Switch 5 gang 2 way 240V a.c. black | EA | \$66.96 | \$6.70 | 10 | 80 |
| LN770/5CR | Switch 5 gang 2 way 240V a.c. cream | EA | \$66.96 | \$6.70 | 10 | 80 |
| LN770/6WE | Switch 6 gang 2 way 240V a.c. white | EA | \$78.78 | \$7.88 | 10 | 80 |
| LN770/6BL | Switch 6 gang 2 way 240V a.c. black | EA | \$78.78 | \$7.88 | 10 | 80 |
| LN770/6CR | Switch 6 gang 2 way 240V a.c. cream | EA | \$78.78 | \$7.88 | 10 | 80 |
| Rotary dimmers | | | | | | |
| LN400LWE | Rotary dimmer leading edge 2 wire 400VA 240V a.c. white | EA | \$71.12 | \$7.11 | 9 | 72 |
| LN400TWE | Rotary dimmer trailing edge 2 wire 400VA 240V a.c. white | EA | \$83.83 | \$8.38 | 9 | 72 |
| LN400TBL | Rotary dimmer trailing edge 2 wire 400VA 240V a.c. black | EA | \$83.83 | \$8.38 | 9 | 72 |
| LN400TCR | Rotary dimmer trailing edge 2 wire 400VA 240V a.c. cream | EA | \$83.83 | \$8.38 | 9 | 72 |
| Push-button dimmers | | | | | | |
| LN450PWE | Push-button dimmer universal 2 wire 450VA 240V a.c. white | EA | \$100.92 | \$10.09 | 9 | 72 |
| LN450PBL | Push-button dimmer universal 2 wire 450VA 240V a.c. black | EA | \$100.92 | \$10.09 | 9 | 72 |
| LN450PCR | Push-button dimmer universal 2 wire 450VA 240V a.c. cream | EA | \$100.92 | \$10.09 | 9 | 72 |
| Fan controllers | | | | | | |
| LN3FCWE | Fan controller 3 speed 100VA white | EA | \$71.29 | \$7.13 | 9 | 72 |
| LN3FCBL | Fan controller 3 speed 100VA black | EA | \$71.29 | \$7.13 | 9 | 72 |
| LN3FCCR | Fan controller 3 speed 100VA cream | EA | \$71.29 | \$7.13 | 9 | 72 |



New product



Energy Saving products



More info available.
See technical pages



Coming soon



Product to be discontinued

Whilst most items are stock lines some products are made to order. UoM = Unit Of Measure.
Prices are effective 1 June 2017 and are subject to change without notice. Trade prices exclude GST.



LN770/1HWE



LN770/3HWE



LN770/4HBL



LN770/6HCR



LN400LHWE



LN3FCHWE

| Cat.Nos | Horizontal switches | UoM | Trade price \$ | GST \$ | Box qty | Carton qty |
|--|--|-----|----------------|--------|---------|------------|
| Rocker switches - Single Pole Double Throw (SPDT) | | | | | | |
| LN770/1HWE | Switch 1 gang 2 way 10A 240V a.c. white | EA | \$10.41 | \$1.04 | 10 | 80 |
| LN770/1HBL | Switch 1 gang 2 way 10A 240V a.c. black | EA | \$10.85 | \$1.08 | 10 | 80 |
| LN770/1HCR | Switch 1 gang 2 way 10A 240V a.c. cream | EA | \$10.85 | \$1.08 | 10 | 80 |
| LN770/2HWE | Switch 2 gang 2 way 10A 240V a.c. white | EA | \$16.82 | \$1.68 | 10 | 80 |
| LN770/2HBL | Switch 2 gang 2 way 10A 240V a.c. black | EA | \$17.53 | \$1.75 | 10 | 80 |
| LN770/2HCR | Switch 2 gang 2 way 10A 240V a.c. cream | EA | \$17.53 | \$1.75 | 10 | 80 |
| LN770/3HWE | Switch 3 gang 2 way 10A 240V a.c. white | EA | \$30.40 | \$3.04 | 10 | 80 |
| LN770/3HBL | Switch 3 gang 2 way 10A 240V a.c. black | EA | \$30.40 | \$3.04 | 10 | 80 |
| LN770/3HCR | Switch 3 gang 2 way 10A 240V a.c. cream | EA | \$30.40 | \$3.04 | 10 | 80 |
| LN770/4HWE | Switch 4 gang 2 way 10A 240V a.c. white | EA | \$47.39 | \$4.74 | 10 | 80 |
| LN770/4HBL | Switch 4 gang 2 way 10A 240V a.c. black | EA | \$47.39 | \$4.74 | 10 | 80 |
| LN770/4HCR | Switch 4 gang 2 way 10A 240V a.c. cream | EA | \$47.39 | \$4.74 | 10 | 80 |
| LN770/5HWE | Switch 5 gang 2 way 10A 240V a.c. white | EA | \$66.96 | \$6.70 | 10 | 80 |
| LN770/5HBL | Switch 5 gang 2 way 10A 240V a.c. black | EA | \$66.96 | \$6.70 | 10 | 80 |
| LN770/5HCR | Switch 5 gang 2 way 10A 240V a.c. cream | EA | \$66.96 | \$6.70 | 10 | 80 |
| LN770/6HWE | Switch 6 gang 2 way 10A 240V a.c. white | EA | \$78.78 | \$7.88 | 10 | 80 |
| LN770/6HBL | Switch 6 gang 2 way 10A 240V a.c. black | EA | \$78.78 | \$7.88 | 10 | 80 |
| LN770/6HCR | Switch 6 gang 2 way 10A 240V a.c. cream | EA | \$78.78 | \$7.88 | 10 | 80 |
| Rotary dimmers | | | | | | |
| LN400LHWE | Rotary dimmer leading edge 2 wire 400VA 240V a.c. white | EA | \$71.12 | \$7.11 | 9 | 72 |
| LN400LHCR | Rotary dimmer leading edge 2 wire 400VA 240V a.c. cream | EA | \$71.12 | \$7.11 | 9 | 72 |
| LN400THWE | Rotary dimmer trailing edge 2 wire 400VA 240V a.c. white | EA | \$83.83 | \$8.38 | 9 | 72 |
| LN400THBL | Rotary dimmer trailing edge 2 wire 400VA 240V a.c. black | EA | \$83.83 | \$8.38 | 9 | 72 |
| LN400THCR | Rotary dimmer trailing edge 2 wire 400VA 240V a.c. cream | EA | \$83.83 | \$8.38 | 9 | 72 |
| Fan controllers | | | | | | |
| LN3FCHWE | Fan controller 3 speed 100VA white | EA | \$71.29 | \$7.13 | 9 | 72 |
| LN3FCHBL | Fan controller 3 speed 100VA black | EA | \$71.29 | \$7.13 | 9 | 72 |
| LN3FCHCR | Fan controller 3 speed 100VA cream | EA | \$71.29 | \$7.13 | 9 | 72 |

Linea

Switches



LNA770/1WE



LNA770/1CR



LNA770/2BL

| Cat.Nos | Architrave | UoM | Trade price \$ | GST \$ | Box qty | Carton qty |
|--|--|-----|----------------|--------|---------|------------|
| Rocker switches - Single Pole Double Throw (SPDT) | | | | | | |
| LNA770/1WE | Architrave switch 1 gang 2 way 10A 240V a.c. white | EA | \$9.95 | \$1.00 | 10 | 120 |
| LNA770/1BL | Architrave switch 1 gang 2 way 10A 240V a.c. black | EA | \$12.04 | \$1.20 | 10 | 120 |
| LNA770/1CR | Architrave switch 1 gang 2 way 10A 240V a.c. cream | EA | \$12.04 | \$1.20 | 10 | 120 |
| LNA770/2WE | Architrave switch 2 gang 2 way 10A 240V a.c. white | EA | \$25.91 | \$2.59 | 10 | 120 |
| LNA770/2BL | Architrave switch 2 gang 2 way 10A 240V a.c. black | EA | \$28.00 | \$2.80 | 10 | 120 |
| LNA770/2CR | Architrave switch 2 gang 2 way 10A 240V a.c. cream | EA | \$28.00 | \$2.80 | 10 | 120 |



New product



Energy Saving products



More info available.
See technical pages



Coming soon



Product to be discontinued

Whilst most items are stock lines some products are made to order. UoM = Unit Of Measure.
Prices are effective 1 June 2017 and are subject to change without notice. Trade prices exclude GST.



LN787WE



LN787XBL



LN787/15WE



LN777WE



LN777ABL



LN777ESWEWE

| Cat.Nos | Horizontal powerpoints | UoM | Trade price \$ | GST \$ | Box qty | Carton qty |
|---------------------------|---|-----|----------------|--------|---------|------------|
| Single powerpoints | | | | | | |
| LN787WE | Powerpoint 1 gang 10A 240V a.c. white | EA | \$13.83 | \$1.38 | 10 | 120 |
| LN787BL | Powerpoint 1 gang 10A 240V a.c. black | EA | \$14.41 | \$1.44 | 10 | 120 |
| LN787CR | Powerpoint 1 gang 10A 240V a.c. cream | EA | \$14.41 | \$1.44 | 10 | 120 |
| LN787XWE | Powerpoint 1 gang 10A 240V a.c. with extra switch white | EA | \$31.66 | \$3.17 | 10 | 120 |
| LN787XBL | Powerpoint 1 gang 10A 240V a.c. with extra switch black | EA | \$31.66 | \$3.17 | 10 | 120 |
| LN787XCR | Powerpoint 1 gang 10A 240V a.c. with extra switch cream | EA | \$31.66 | \$3.17 | 10 | 120 |
| LN787/15WE | Powerpoint 1 gang 15A 240V a.c. white | EA | \$30.48 | \$3.05 | 10 | 120 |
| LN787/15BL | Powerpoint 1 gang 15A 240V a.c. black | EA | \$26.75 | \$2.68 | 10 | 120 |
| LN787/15CR | Powerpoint 1 gang 15A 240V a.c. cream | EA | \$33.78 | \$3.38 | 10 | 120 |
| Double powerpoints | | | | | | |
| LN777WE | Powerpoint 2 gang 10A 240V a.c. white | EA | \$13.83 | \$1.38 | 10 | 120 |
| LN777BL | Powerpoint 2 gang 10A 240V a.c. black | EA | \$14.41 | \$1.44 | 10 | 120 |
| LN777CR | Powerpoint 2 gang 10A 240V a.c. cream | EA | \$14.41 | \$1.44 | 10 | 120 |
| LN777XWE | Powerpoint 2 gang 10A 240V a.c. with extra switch white | EA | \$31.66 | \$3.17 | 10 | 120 |
| LN777XBL | Powerpoint 2 gang 10A 240V a.c. with extra switch black | EA | \$31.66 | \$3.17 | 10 | 120 |
| LN777XCR | Powerpoint 2 gang 10A 240V a.c. with extra switch cream | EA | \$31.66 | \$3.17 | 10 | 120 |
| LN777AWE | Powerpoint 2 gang 10A 240V a.c. autoswitch white | EA | \$30.48 | \$3.05 | 10 | 120 |
| LN777ABL | Powerpoint 2 gang 10A 240V a.c. autoswitch black | EA | \$26.75 | \$2.68 | 10 | 120 |
| LN777ACR | Powerpoint 2 gang 10A 240V a.c. autoswitch cream | EA | \$33.78 | \$3.38 | 10 | 120 |
| LN777ESWEWE | Powerpoint 2 gang 10A 240V a.c. with extra safety white | EA | \$28.49 | \$2.85 | 10 | 120 |
| LN777ESLBL | Powerpoint 2 gang 10A 240V a.c. with extra safety black | EA | \$28.49 | \$2.85 | 10 | 120 |
| LN777ESWEGY | Powerpoint 2 gang 10A 240V a.c. with extra safety white/grey | EA | \$29.61 | \$2.96 | 10 | 120 |
| LN777ESBLGY | Powerpoint 2 gang 10A 240V a.c. with extra safety black/grey | EA | \$29.61 | \$2.96 | 10 | 120 |
| LN777AESWEWE | Powerpoint 2 gang 10A 240V a.c. autoswitch with extra safety white | EA | \$28.49 | \$2.85 | 10 | 120 |
| LN777AESLBL | Powerpoint 2 gang 10A 240V a.c. autoswitch with extra safety black | EA | \$28.49 | \$2.85 | 10 | 120 |
| LN777AESWEGY | Powerpoint 2 gang 10A 240V a.c. autoswitch with extra safety white/grey | EA | \$28.49 | \$2.85 | 10 | 120 |
| LN777AESBLGY | Powerpoint 2 gang 10A 240V a.c. autoswitch with extra safety black/grey | EA | \$28.49 | \$2.85 | 10 | 120 |

Linea

Phone, TV, data and AV sockets



LN770/1CXWE



LN770/2CX/FCXWE



LN770/1RJ1WE



LN770/1RJ2EWE



LN770/2RJ2EWE

| Cat.Nos | | UoM | Trade price \$ | GST \$ | Box qty | Carton qty |
|----------------------|--|-----|----------------|--------|---------|------------|
| TV outlets | | | | | | |
| LN770/1CXWE | TV outlet coaxial 1 gang 75 Ohm white | EA | \$10.56 | \$1.06 | 10 | 160 |
| LN770/1CXBL | TV outlet coaxial 1 gang 75 Ohm black | EA | \$10.56 | \$1.06 | 10 | 160 |
| LN770/1FCXWE | TV outlet PAL F-type 1 gang 75 Ohm white | EA | \$11.61 | \$1.16 | 10 | 160 |
| LN770/2CX/FCXWE | TV outlet coaxial & PAL F-type 2 gang 75 Ohm white | EA | \$22.14 | \$2.21 | 10 | 160 |
| Phone outlets | | | | | | |
| LN770/1RJ1WE | Phone outlet RJ12 1 gang white | EA | \$23.53 | \$2.35 | 10 | 160 |
| LN770/1RJ1BL | Phone outlet RJ12 1 gang black | EA | \$23.53 | \$2.35 | 10 | 160 |
| LN770/1RJ1CR | Phone outlet RJ12 1 gang cream | EA | \$23.53 | \$2.35 | 10 | 160 |
| LN770/2RJ1WE | Phone outlet RJ12 2 gang white | EA | \$40.20 | \$4.02 | 10 | 160 |
| LN770/2RJ1BL | Phone outlet RJ12 2 gang black | EA | \$35.18 | \$3.52 | 10 | 160 |
| LN770/2RJ1CR | Phone outlet RJ12 2 gang cream | EA | \$44.99 | \$4.50 | 10 | 160 |
| RJ45 outlets | | | | | | |
| LN770/1RJ2EWE | Data outlet RJ45 1 gang Cat5e white | EA | \$26.22 | \$2.62 | 10 | 160 |
| LN770/1RJ2EBL | Data outlet RJ45 1 gang Cat5e black | EA | \$22.89 | \$2.29 | 10 | 160 |
| LN770/1RJ2ECR | Data outlet RJ45 1 gang Cat5e cream | EA | \$26.91 | \$2.69 | 10 | 160 |
| LN770/2RJ2EWE | Data outlet RJ45 2 gang Cat5e white | EA | \$42.15 | \$4.22 | 10 | 160 |
| LN770/2RJ2EBL | Data outlet RJ45 2 gang Cat5e black | EA | \$38.73 | \$3.87 | 10 | 160 |
| LN770/2RJ2ECR | Data outlet RJ45 2 gang Cat5e cream | EA | \$45.85 | \$4.58 | 10 | 160 |



New product



Energy Saving products



More info available.
See technical pages



Coming soon



Product to be discontinued

Whilst most items are stock lines some products are made to order. UoM = Unit Of Measure.
Prices are effective 1 June 2017 and are subject to change without notice. Trade prices exclude GST.

Linea

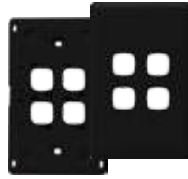
Grid & plates



LN770/1GPLWE



LN770/2GPLBL



LN770/4GPLBL



LN770/5GPLCR



LN770/6GPLWE



LN770/0GPLWE

| Cat.Nos | Grid & plates only | UoM | Trade price \$ | GST \$ | Box qty | Carton qty |
|--------------|---------------------------|-----|----------------|--------|---------|------------|
| LN770/1GPLWE | Grid & plate 1 gang white | EA | \$6.54 | \$0.65 | 10 | 160 |
| LN770/1GPLBL | Grid & plate 1 gang black | EA | \$6.54 | \$0.65 | 10 | 160 |
| LN770/1GPLCR | Grid & plate 1 gang cream | EA | \$6.54 | \$0.65 | 10 | 160 |
| LN770/2GPLWE | Grid & plate 2 gang white | EA | \$7.09 | \$0.71 | 10 | 160 |
| LN770/2GPLBL | Grid & plate 2 gang black | EA | \$7.37 | \$0.74 | 10 | 160 |
| LN770/2GPLCR | Grid & plate 2 gang cream | EA | \$7.09 | \$0.71 | 10 | 160 |
| LN770/3GPLWE | Grid & plate 3 gang white | EA | \$7.76 | \$0.78 | 10 | 160 |
| LN770/3GPLBL | Grid & plate 3 gang black | EA | \$7.76 | \$0.78 | 10 | 160 |
| LN770/3GPLCR | Grid & plate 3 gang cream | EA | \$7.76 | \$0.78 | 10 | 160 |
| LN770/4GPLWE | Grid & plate 4 gang white | EA | \$12.56 | \$1.26 | 10 | 160 |
| LN770/4GPLBL | Grid & plate 4 gang black | EA | \$12.56 | \$1.26 | 10 | 160 |
| LN770/4GPLCR | Grid & plate 4 gang cream | EA | \$12.56 | \$1.26 | 10 | 160 |
| LN770/5GPLWE | Grid & plate 5 gang white | EA | \$13.96 | \$1.40 | 10 | 160 |
| LN770/5GPLBL | Grid & plate 5 gang black | EA | \$13.96 | \$1.40 | 10 | 160 |
| LN770/5GPLCR | Grid & plate 5 gang cream | EA | \$13.96 | \$1.40 | 10 | 160 |
| LN770/6GPLWE | Grid & plate 6 gang white | EA | \$13.96 | \$1.40 | 10 | 160 |
| LN770/6GPLBL | Grid & plate 6 gang black | EA | \$13.96 | \$1.40 | 10 | 160 |
| LN770/6GPLCR | Grid & plate 6 gang cream | EA | \$13.96 | \$1.40 | 10 | 160 |
| LN770/0GPLWE | Grid & plate blank white | EA | \$7.18 | \$0.72 | 10 | 160 |
| LN770/0GPLBL | Grid & plate blank black | EA | \$7.18 | \$0.72 | 10 | 160 |
| LN770/0GPLCR | Grid & plate blank cream | EA | \$7.18 | \$0.72 | 10 | 160 |



New product



Energy Saving products



More info available.
See technical pages



Coming soon



Product to be discontinued

Linea

Coverplates



LN770/1PLMS



LN770/1PLAS



LN770/1PLVA



LN770/2PLKH



LN770/2PLYE



LN770/2PLOG

| Cat.Nos | | UoM | Trade price \$ | GST \$ | Box qty | Carton qty |
|-----------------------------|-----------------------------------|-----|----------------|--------|---------|------------|
| Coverplates – 1 gang | | | | | | |
| LN770/1PLWE | Coverplate 1 gang white | EA | \$3.50 | \$0.35 | 10 | 200 |
| LN770/1PLBL | Coverplate 1 gang black | EA | \$3.50 | \$0.35 | 10 | 200 |
| LN770/1PLCR | Coverplate 1 gang cream | EA | \$3.50 | \$0.35 | 10 | 200 |
| LN770/1PLMS | Coverplate 1 gang matt silver | EA | \$7.91 | \$0.79 | 10 | 200 |
| LN770/1PLAS | Coverplate 1 gang asphalt | EA | \$7.91 | \$0.79 | 10 | 200 |
| LN770/1PLGL | Coverplate 1 gang gun metal | EA | \$7.91 | \$0.79 | 10 | 200 |
| LN770/1PLVA | Coverplate 1 gang runaway bride | EA | \$9.97 | \$1.00 | 10 | 200 |
| LN770/1PLLG | Coverplate 1 gang ghost gum | EA | \$9.97 | \$1.00 | 10 | 200 |
| LN770/1PLOL | Coverplate 1 gang 5 o'clock olive | EA | \$9.97 | \$1.00 | 10 | 200 |
| LN770/1PLKH | Coverplate 1 gang ninja khaki | EA | \$9.97 | \$1.00 | 10 | 200 |
| LN770/1PLDG | Coverplate 1 gang wet elephant | EA | \$9.97 | \$1.00 | 10 | 200 |
| LN770/1PLMI | Coverplate 1 gang midnight dash | EA | \$9.97 | \$1.00 | 10 | 200 |
| LN770/1PLYE | Coverplate 1 gang sunshine | EA | \$9.97 | \$1.00 | 10 | 200 |
| LN770/1PLOG | Coverplate 1 gang orange crush | EA | \$9.97 | \$1.00 | 10 | 200 |
| LN770/1PLPI | Coverplate 1 gang bubblegum | EA | \$9.97 | \$1.00 | 10 | 200 |
| LN770/1PLRE | Coverplate 1 gang saucy red | EA | \$9.97 | \$1.00 | 10 | 200 |
| LN770/1PLSB | Coverplate 1 gang cheeky boy blue | EA | \$9.97 | \$1.00 | 10 | 200 |
| LN770/1PLAU | Coverplate 1 gang abracadabra | EA | \$9.97 | \$1.00 | 10 | 200 |
| Coverplates – 2 gang | | | | | | |
| LN770/2PLWE | Coverplate 2 gang white | EA | \$3.50 | \$0.35 | 10 | 200 |
| LN770/2PLBL | Coverplate 2 gang black | EA | \$3.50 | \$0.35 | 40 | 200 |
| LN770/2PLCR | Coverplate 2 gang cream | EA | \$3.50 | \$0.35 | 40 | 200 |
| LN770/2PLMS | Coverplate 2 gang matt silver | EA | \$7.91 | \$0.79 | 10 | 200 |
| LN770/2PLAS | Coverplate 2 gang asphalt | EA | \$7.91 | \$0.79 | 10 | 200 |
| LN770/2PLGL | Coverplate 2 gang gun metal | EA | \$7.91 | \$0.79 | 10 | 200 |
| LN770/2PLVA | Coverplate 2 gang runaway bride | EA | \$9.97 | \$1.00 | 10 | 200 |
| LN770/2PLLG | Coverplate 2 gang ghost gum | EA | \$9.97 | \$1.00 | 10 | 200 |
| LN770/2PLOL | Coverplate 2 gang 5 o'clock olive | EA | \$9.97 | \$1.00 | 10 | 200 |
| LN770/2PLKH | Coverplate 2 gang ninja khaki | EA | \$9.97 | \$1.00 | 10 | 200 |
| LN770/2PLDG | Coverplate 2 gang wet elephant | EA | \$9.97 | \$1.00 | 10 | 200 |
| LN770/2PLMI | Coverplate 2 gang midnight dash | EA | \$9.97 | \$1.00 | 10 | 200 |
| LN770/2PLYE | Coverplate 2 gang sunshine | EA | \$9.97 | \$1.00 | 10 | 200 |
| LN770/2PLOG | Coverplate 2 gang orange crush | EA | \$9.97 | \$1.00 | 10 | 200 |
| LN770/2PLPI | Coverplate 2 gang bubblegum | EA | \$9.97 | \$1.00 | 10 | 200 |



New product



Energy Saving products



More info available.
See technical pages



Coming soon



Product to be discontinued

Whilst most items are stock lines some products are made to order. UoM = Unit Of Measure.
Prices are effective 1 June 2017 and are subject to change without notice. Trade prices exclude GST.

Linea

Coverplates



LN770/3PLLG



LN770/3PLMI



LN770/3PLPI



LN770/3PLSB



LN770/4PLOL



LN770/4PLDG

| Cat.Nos | | UoM | Trade price \$ | GST \$ | Box qty | Carton qty |
|-----------------------------|-----------------------------------|-----|----------------|--------|---------|------------|
| Coverplates – 2 gang | | | | | | |
| LN770/2PLRE | Coverplate 2 gang saucy red | EA | \$9.97 | \$1.00 | 10 | 200 |
| LN770/2PLSB | Coverplate 2 gang cheeky boy blue | EA | \$9.97 | \$1.00 | 10 | 200 |
| LN770/2PLAU | Coverplate 2 gang abracadabra | EA | \$9.97 | \$1.00 | 10 | 200 |
| Coverplates – 3 gang | | | | | | |
| LN770/3PLWE | Coverplate 3 gang white | EA | \$3.50 | \$0.35 | 40 | 200 |
| LN770/3PLBL | Coverplate 3 gang black | EA | \$3.50 | \$0.35 | 40 | 200 |
| LN770/3PLCR | Coverplate 3 gang cream | EA | \$3.50 | \$0.35 | 40 | 200 |
| LN770/3PLMS | Coverplate 3 gang matt silver | EA | \$7.91 | \$0.79 | 10 | 200 |
| LN770/3PLAS | Coverplate 3 gang asphalt | EA | \$7.91 | \$0.79 | 10 | 200 |
| LN770/3PLGL | Coverplate 3 gang gun metal | EA | \$7.91 | \$0.79 | 10 | 200 |
| LN770/3PLVA | Coverplate 3 gang runaway bride | EA | \$9.97 | \$1.00 | 10 | 200 |
| LN770/3PLLG | Coverplate 3 gang ghost gum | EA | \$9.97 | \$1.00 | 10 | 200 |
| LN770/3PLOL | Coverplate 3 gang 5 o'clock olive | EA | \$9.97 | \$1.00 | 10 | 200 |
| LN770/3PLKH | Coverplate 3 gang ninja khaki | EA | \$9.97 | \$1.00 | 10 | 200 |
| LN770/3PLDG | Coverplate 3 gang wet elephant | EA | \$9.97 | \$1.00 | 10 | 200 |
| LN770/3PLMI | Coverplate 3 gang midnight dash | EA | \$9.97 | \$1.00 | 10 | 200 |
| LN770/3PLYE | Coverplate 3 gang sunshine | EA | \$9.97 | \$1.00 | 10 | 200 |
| LN770/3PLOG | Coverplate 3 gang orange crush | EA | \$9.97 | \$1.00 | 10 | 200 |
| LN770/3PLPI | Coverplate 3 gang bubblegum | EA | \$9.97 | \$1.00 | 10 | 200 |
| LN770/3PLRE | Coverplate 3 gang saucy red | EA | \$9.97 | \$1.00 | 10 | 200 |
| LN770/3PLSB | Coverplate 3 gang cheeky boy blue | EA | \$9.97 | \$1.00 | 10 | 200 |
| LN770/3PLAU | Coverplate 3 gang abracadabra | EA | \$9.97 | \$1.00 | 10 | 200 |
| Coverplates – 4 gang | | | | | | |
| LN770/4PLWE | Coverplate 4 gang white | EA | \$3.50 | \$0.35 | 40 | 200 |
| LN770/4PLBL | Coverplate 4 gang black | EA | \$3.50 | \$0.35 | 40 | 200 |
| LN770/4PLCR | Coverplate 4 gang cream | EA | \$3.50 | \$0.35 | 40 | 200 |
| LN770/4PLMS | Coverplate 4 gang matt silver | EA | \$7.91 | \$0.79 | 10 | 200 |
| LN770/4PLAS | Coverplate 4 gang asphalt | EA | \$7.91 | \$0.79 | 10 | 200 |
| LN770/4PLGL | Coverplate 4 gang gun metal | EA | \$7.91 | \$0.79 | 10 | 200 |
| LN770/4PLVA | Coverplate 4 gang runaway bride | EA | \$9.97 | \$1.00 | 10 | 200 |
| LN770/4PLLG | Coverplate 4 gang ghost gum | EA | \$9.97 | \$1.00 | 10 | 200 |
| LN770/4PLOL | Coverplate 4 gang 5 o'clock olive | EA | \$9.97 | \$1.00 | 10 | 200 |
| LN770/4PLKH | Coverplate 4 gang ninja khaki | EA | \$9.97 | \$1.00 | 10 | 200 |
| LN770/4PLDG | Coverplate 4 gang wet elephant | EA | \$9.97 | \$1.00 | 10 | 200 |



New product



Energy Saving products



More info available.
See technical pages



Coming soon



Product to be discontinued

Linea

Coverplates



LN770/5PLWE



LN770/5PLMS



LN770/5PLAS



LN770/5PLGL



LN770/5PLVA



LN770/5PLLG

| Cat.Nos | | UoM | Trade price \$ | GST \$ | Box qty | Carton qty |
|-----------------------------|-----------------------------------|-----|----------------|--------|---------|------------|
| Coverplates – 4 gang | | | | | | |
| LN770/4PLMI | Coverplate 4 gang midnight dash | EA | \$9.97 | \$1.00 | 10 | 200 |
| LN770/4PLYE | Coverplate 4 gang sunshine | EA | \$9.97 | \$1.00 | 10 | 200 |
| LN770/4PLOG | Coverplate 4 gang orange crush | EA | \$9.97 | \$1.00 | 10 | 200 |
| LN770/4PLPI | Coverplate 4 gang bubblegum | EA | \$9.97 | \$1.00 | 10 | 200 |
| LN770/4PLRE | Coverplate 4 gang saucy red | EA | \$9.97 | \$1.00 | 10 | 200 |
| LN770/4PLSB | Coverplate 4 gang cheeky boy blue | EA | \$9.97 | \$1.00 | 10 | 200 |
| LN770/4PLAU | Coverplate 4 gang abracadabra | EA | \$9.97 | \$1.00 | 10 | 200 |
| Coverplates – 5 gang | | | | | | |
| LN770/5PLWE | Coverplate 5 gang white | EA | \$3.50 | \$0.35 | 40 | 200 |
| LN770/5PLBL | Coverplate 5 gang black | EA | \$3.50 | \$0.35 | 40 | 200 |
| LN770/5PLCR | Coverplate 5 gang cream | EA | \$3.50 | \$0.35 | 40 | 200 |
| LN770/5PLMS | Coverplate 5 gang matt silver | EA | \$7.91 | \$0.79 | 10 | 200 |
| LN770/5PLAS | Coverplate 5 gang asphalt | EA | \$7.91 | \$0.79 | 10 | 200 |
| LN770/5PLGL | Coverplate 5 gang gun metal | EA | \$7.91 | \$0.79 | 10 | 200 |
| LN770/5PLVA | Coverplate 5 gang runaway bride | EA | \$9.97 | \$1.00 | 10 | 200 |
| LN770/5PLLG | Coverplate 5 gang ghost gum | EA | \$9.97 | \$1.00 | 10 | 200 |
| LN770/5PLOL | Coverplate 5 gang 5 o'clock olive | EA | \$9.97 | \$1.00 | 10 | 200 |
| LN770/5PLKH | Coverplate 5 gang ninja khaki | EA | \$9.97 | \$1.00 | 10 | 200 |
| LN770/5PLDG | Coverplate 5 gang wet elephant | EA | \$9.97 | \$1.00 | 10 | 200 |
| LN770/5PLMI | Coverplate 5 gang midnight dash | EA | \$9.97 | \$1.00 | 10 | 200 |
| LN770/5PLYE | Coverplate 5 gang sunshine | EA | \$9.97 | \$1.00 | 10 | 200 |
| LN770/5PLOG | Coverplate 5 gang orange crush | EA | \$9.97 | \$1.00 | 10 | 200 |
| LN770/5PLPI | Coverplate 5 gang bubblegum | EA | \$9.97 | \$1.00 | 10 | 200 |
| LN770/5PLRE | Coverplate 5 gang saucy red | EA | \$9.97 | \$1.00 | 10 | 200 |
| LN770/5PLSB | Coverplate 5 gang cheeky boy blue | EA | \$9.97 | \$1.00 | 10 | 200 |
| LN770/5PLAU | Coverplate 5 gang abracadabra | EA | \$9.97 | \$1.00 | 10 | 200 |
| Coverplates – 6 gang | | | | | | |
| LN770/6PLWE | Coverplate 6 gang white | EA | \$3.50 | \$0.35 | 40 | 200 |
| LN770/6PLBL | Coverplate 6 gang black | EA | \$3.50 | \$0.35 | 40 | 200 |
| LN770/6PLCR | Coverplate 6 gang cream | EA | \$3.50 | \$0.35 | 40 | 200 |
| LN770/6PLMS | Coverplate 6 gang matt silver | EA | \$7.91 | \$0.79 | 10 | 200 |
| LN770/6PLAS | Coverplate 6 gang asphalt | EA | \$7.91 | \$0.79 | 10 | 200 |
| LN770/6PLGL | Coverplate 6 gang gun metal | EA | \$7.91 | \$0.79 | 10 | 200 |



New product



Energy Saving products



More info available.
See technical pages



Coming soon



Product to be discontinued

Whilst most items are stock lines some products are made to order. UoM = Unit Of Measure.
Prices are effective 1 June 2017 and are subject to change without notice. Trade prices exclude GST.

Linea

Coverplates



LN770/6PLDG



LN770/6PLYE



LN770/6PLOG



LN770/6PLRE



LN770/6PLAU



LN770/0PLAS

| Cat.Nos | | UoM | Trade price \$ | GST \$ | Box qty | Carton qty |
|-----------------------------|-----------------------------------|-----|----------------|--------|---------|------------|
| Coverplates – 6 gang | | | | | | |
| LN770/6PLVA | Coverplate 6 gang runaway bride | EA | \$9.97 | \$1.00 | 10 | 200 |
| LN770/6PLLG | Coverplate 6 gang ghost gum | EA | \$9.97 | \$1.00 | 10 | 200 |
| LN770/6PLOL | Coverplate 6 gang 5 o'clock olive | EA | \$9.97 | \$1.00 | 10 | 200 |
| LN770/6PLKH | Coverplate 6 gang ninja khaki | EA | \$9.97 | \$1.00 | 10 | 200 |
| LN770/6PLDG | Coverplate 6 gang wet elephant | EA | \$9.97 | \$1.00 | 10 | 200 |
| LN770/6PLMI | Coverplate 6 gang midnight dash | EA | \$9.97 | \$1.00 | 10 | 200 |
| LN770/6PLYE | Coverplate 6 gang sunshine | EA | \$9.97 | \$1.00 | 10 | 200 |
| LN770/6PLOG | Coverplate 6 gang orange crush | EA | \$9.97 | \$1.00 | 10 | 200 |
| LN770/6PLPI | Coverplate 6 gang bubblegum | EA | \$9.97 | \$1.00 | 10 | 200 |
| LN770/6PLRE | Coverplate 6 gang saucy red | EA | \$9.97 | \$1.00 | 10 | 200 |
| LN770/6PLSB | Coverplate 6 gang cheeky boy blue | EA | \$9.97 | \$1.00 | 10 | 200 |
| LN770/6PLAU | Coverplate 6 gang abracadabra | EA | \$9.97 | \$1.00 | 10 | 200 |
| Coverplates – blank | | | | | | |
| LN770/0PLWE | Blank Coverplate white | EA | \$3.50 | \$0.35 | 10 | 200 |
| LN770/0PLBL | Blank Coverplate black | EA | \$3.50 | \$0.35 | 40 | 200 |
| LN770/0PLCR | Blank Coverplate cream | EA | \$3.50 | \$0.35 | 40 | 200 |
| LN770/0PLMS | Blank Coverplate matt silver | EA | \$7.91 | \$0.79 | 10 | 200 |
| LN770/0PLAS | Blank Coverplate asphalt | EA | \$7.91 | \$0.79 | 10 | 200 |
| LN770/0PLGL | Blank Coverplate gun metal | EA | \$7.91 | \$0.79 | 10 | 200 |
| LN770/0PLVA | Blank Coverplate runaway bride | EA | \$9.97 | \$1.00 | 10 | 200 |
| LN770/0PLLG | Blank Coverplate ghost gum | EA | \$9.97 | \$1.00 | 10 | 200 |
| LN770/0PLOL | Blank Coverplate 5 o'clock olive | EA | \$9.97 | \$1.00 | 10 | 200 |
| LN770/0PLKH | Blank Coverplate ninja khaki | EA | \$9.97 | \$1.00 | 10 | 200 |
| LN770/0PLDG | Blank Coverplate wet elephant | EA | \$9.97 | \$1.00 | 10 | 200 |
| LN770/0PLMI | Blank Coverplate midnight dash | EA | \$9.97 | \$1.00 | 10 | 200 |
| LN770/0PLYE | Blank Coverplate sunshine | EA | \$9.97 | \$1.00 | 10 | 200 |
| LN770/0PLOG | Blank Coverplate orange crush | EA | \$9.97 | \$1.00 | 10 | 200 |
| LN770/0PLPI | Blank Coverplate bubblegum | EA | \$9.97 | \$1.00 | 10 | 200 |
| LN770/0PLRE | Blank Coverplate saucy red | EA | \$9.97 | \$1.00 | 10 | 200 |
| LN770/0PLSB | Blank Coverplate cheeky boy blue | EA | \$9.97 | \$1.00 | 10 | 200 |
| LN770/0PLAU | Blank Coverplate abracadabra | EA | \$9.97 | \$1.00 | 10 | 200 |



New product



Energy Saving products



More info available.
See technical pages



Coming soon



Product to be discontinued

Linea

Coverplates



LNA770/1PLWE



LNA770/1PLMS



LNA770/1PLMI



LNA770/2PLCR



LNA770/2PLDG



LNA770/2PLRE

| Cat.Nos | Architrave coverplates – 1 gang | UoM | Trade price \$ | GST \$ | Box qty | Carton qty |
|--|--|-----|----------------|--------|---------|------------|
| LNA770/1PLWE | Architrave coverplate 1 gang white | EA | \$3.02 | \$0.30 | 10 | 200 |
| LNA770/1PLBL | Architrave coverplate 1 gang black | EA | \$3.02 | \$0.30 | 10 | 200 |
| LNA770/1PLCR | Architrave coverplate 1 gang cream | EA | \$3.02 | \$0.30 | 10 | 200 |
| LNA770/1PLMS | Architrave coverplate 1 gang matt silver | EA | \$7.91 | \$0.79 | 10 | 200 |
| LNA770/1PLAS | Architrave coverplate 1 gang asphalt | EA | \$7.91 | \$0.79 | 10 | 200 |
| LNA770/1PLGL | Architrave coverplate 1 gang gun metal | EA | \$7.91 | \$0.79 | 10 | 200 |
| LNA770/1PLVA | Architrave coverplate 1 gang runaway bride | EA | \$9.97 | \$1.00 | 10 | 200 |
| LNA770/1PLLG | Architrave coverplate 1 gang ghost gum | EA | \$9.97 | \$1.00 | 10 | 200 |
| LNA770/1PLOL | Architrave coverplate 1 gang 5 o'clock olive | EA | \$9.97 | \$1.00 | 10 | 200 |
| LNA770/1PLKH | Architrave coverplate 1 gang ninja khaki | EA | \$9.97 | \$1.00 | 10 | 200 |
| LNA770/1PLDG | Architrave coverplate 1 gang wet elephant | EA | \$9.97 | \$1.00 | 10 | 200 |
| LNA770/1PLMI | Architrave coverplate 1 gang midnight dash | EA | \$9.97 | \$1.00 | 10 | 200 |
| LNA770/1PLYE | Architrave coverplate 1 gang sunshine | EA | \$9.97 | \$1.00 | 10 | 200 |
| LNA770/1PLOG | Architrave coverplate 1 gang orange crush | EA | \$9.97 | \$1.00 | 10 | 200 |
| LNA770/1PLPI | Architrave coverplate 1 gang bubblegum | EA | \$9.97 | \$1.00 | 10 | 200 |
| LNA770/1PLRE | Architrave coverplate 1 gang saucy red | EA | \$9.97 | \$1.00 | 10 | 200 |
| LNA770/1PLSB | Architrave coverplate 1 gang cheeky boy blue | EA | \$9.97 | \$1.00 | 10 | 200 |
| LNA770/1PLAU | Architrave coverplate 1 gang abracadabra | EA | \$9.97 | \$1.00 | 10 | 200 |
| Architrave coverplates – 2 gang | | | | | | |
| LNA770/2PLWE | Architrave coverplate 2 gang white | EA | \$3.02 | \$0.30 | 10 | 200 |
| LNA770/2PLBL | Architrave coverplate 2 gang black | EA | \$3.02 | \$0.30 | 10 | 200 |
| LNA770/2PLCR | Architrave coverplate 2 gang cream | EA | \$3.02 | \$0.30 | 10 | 200 |
| LNA770/2PLMS | Architrave coverplate 2 gang matt silver | EA | \$7.91 | \$0.79 | 10 | 200 |
| LNA770/2PLAS | Architrave coverplate 2 gang asphalt | EA | \$7.91 | \$0.79 | 10 | 200 |
| LNA770/2PLGL | Architrave coverplate 2 gang gun metal | EA | \$7.91 | \$0.79 | 10 | 200 |
| LNA770/2PLLG | Architrave coverplate 2 gang ghost gum | EA | \$9.97 | \$1.00 | 10 | 200 |
| LNA770/2PLOL | Architrave coverplate 2 gang 5 o'clock olive | EA | \$9.97 | \$1.00 | 10 | 200 |
| LNA770/2PLDG | Architrave coverplate 2 gang wet elephant | EA | \$9.97 | \$1.00 | 10 | 200 |
| LNA770/2PLMI | Architrave coverplate 2 gang midnight dash | EA | \$9.97 | \$1.00 | 10 | 200 |
| LNA770/2PLRE | Architrave coverplate 2 gang saucy red | EA | \$9.97 | \$1.00 | 10 | 200 |
| LNA770/2PLSB | Architrave coverplate 2 gang cheeky boy blue | EA | \$9.97 | \$1.00 | 10 | 200 |



New product



Energy Saving products



More info available.
See technical pages



Coming soon



Product to be discontinued

Whilst most items are stock lines some products are made to order. UoM = Unit Of Measure.
Prices are effective 1 June 2017 and are subject to change without notice. Trade prices exclude GST.



LN787PLWE



LN787PLOL



LN787PLOG



LN787XPLAS



LN787XPLKH



LN787XPLYE

| Cat.Nos | Coverplates for single powerpoints | UoM | Trade price \$ | GST \$ | Box qty | Carton qty |
|--|--|-----|----------------|--------|---------|------------|
| LN787PLWE | Powerpoint coverplate 1 gang white | EA | \$3.50 | \$0.35 | 40 | 200 |
| LN787PLBL | Powerpoint coverplate 1 gang black | EA | \$3.50 | \$0.35 | 40 | 200 |
| LN787PLCR | Powerpoint coverplate 1 gang cream | EA | \$3.50 | \$0.35 | 40 | 200 |
| LN787PLMS | Powerpoint coverplate 1 gang matt silver | EA | \$7.91 | \$0.79 | 10 | 200 |
| LN787PLAS | Powerpoint coverplate 1 gang asphalt | EA | \$7.91 | \$0.79 | 10 | 200 |
| LN787PLGL | Powerpoint coverplate 1 gang gun metal | EA | \$7.91 | \$0.79 | 10 | 200 |
| LN787PLVA | Powerpoint coverplate 1 gang runaway bride | EA | \$9.97 | \$1.00 | 10 | 200 |
| LN787PLLG | Powerpoint coverplate 1 gang ghost gum | EA | \$9.97 | \$1.00 | 10 | 200 |
| LN787PLOL | Powerpoint coverplate 1 gang 5 o'clock olive | EA | \$9.97 | \$1.00 | 10 | 200 |
| LN787PLKH | Powerpoint coverplate 1 gang ninja khaki | EA | \$9.97 | \$1.00 | 10 | 200 |
| LN787PLDG | Powerpoint coverplate 1 gang wet elephant | EA | \$9.97 | \$1.00 | 10 | 200 |
| LN787PLMI | Powerpoint coverplate 1 gang midnight dash | EA | \$9.97 | \$1.00 | 10 | 200 |
| LN787PLYE | Powerpoint coverplate 1 gang sunshine | EA | \$9.97 | \$1.00 | 10 | 200 |
| LN787PLOG | Powerpoint coverplate 1 gang orange crush | EA | \$9.97 | \$1.00 | 10 | 200 |
| LN787PLPI | Powerpoint coverplate 1 gang bubblegum | EA | \$9.97 | \$1.00 | 10 | 200 |
| LN787PLRE | Powerpoint coverplate 1 gang saucy red | EA | \$9.97 | \$1.00 | 10 | 200 |
| LN787PLSB | Powerpoint coverplate 1 gang cheeky boy blue | EA | \$9.97 | \$1.00 | 10 | 200 |
| LN787PLAU | Powerpoint coverplate 1 gang abracadabra | EA | \$9.97 | \$1.00 | 10 | 200 |
| Coverplates for single powerpoint with extra hole | | | | | | |
| LN787XPLWE | Powerpoint coverplate 1 gang with extra hole white | EA | \$3.50 | \$0.35 | 40 | 200 |
| LN787XPLBL | Powerpoint coverplate 1 gang with extra hole black | EA | \$3.50 | \$0.35 | 40 | 200 |
| LN787XPLCR | Powerpoint coverplate 1 gang with extra hole cream | EA | \$3.50 | \$0.35 | 40 | 200 |
| LN787XPLMS | Powerpoint coverplate 1 gang with extra hole matt silver | EA | \$7.91 | \$0.79 | 10 | 200 |
| LN787XPLAS | Powerpoint coverplate 1 gang with extra hole asphalt | EA | \$7.91 | \$0.79 | 10 | 200 |
| LN787XPLGL | Powerpoint coverplate 1 gang with extra hole gun metal | EA | \$7.91 | \$0.79 | 10 | 200 |
| LN787XPLVA | Powerpoint coverplate 1 gang with extra hole runaway bride | EA | \$9.97 | \$1.00 | 10 | 200 |
| LN787XPLKH | Powerpoint coverplate 1 gang with extra hole ninja khaki | EA | \$9.97 | \$1.00 | 10 | 200 |
| LN787XPLDG | Powerpoint coverplate 1 gang with extra hole wet elephant | EA | \$9.97 | \$1.00 | 10 | 200 |
| LN787XPLMI | Powerpoint coverplate 1 gang with extra hole midnight dash | EA | \$9.97 | \$1.00 | 10 | 200 |
| LN787XPLPI | Powerpoint coverplate 1 gang with extra hole bubblegum | EA | \$9.97 | \$1.00 | 10 | 200 |
| LN787XPLAU | Powerpoint coverplate 1 gang with extra hole abracadabra | EA | \$9.97 | \$1.00 | 10 | 200 |



New product



Energy Saving products



More info available. See technical pages



Coming soon



Product to be discontinued

Linea

Coverplates



LN777PLWE



LN777PLAS



LN777PLOL



LN777PLBL



LN777XPLVA



LN777XPLDG

| Cat.Nos | Coverplates for double powerpoints | UoM | Trade price \$ | GST \$ | Box qty | Carton qty |
|------------|--|-----|----------------|--------|---------|------------|
| LN777PLWE | Powerpoint coverplate 2 gang white | EA | \$3.50 | \$0.35 | 10 | 200 |
| LN777PLBL | Powerpoint coverplate 2 gang black | EA | \$3.50 | \$0.35 | 40 | 200 |
| LN777PLCR | Powerpoint coverplate 2 gang cream | EA | \$3.50 | \$0.35 | 40 | 200 |
| LN777PLMS | Powerpoint coverplate 2 gang matt silver | EA | \$7.91 | \$0.79 | 10 | 200 |
| LN777PLAS | Powerpoint coverplate 2 gang asphalt | EA | \$7.91 | \$0.79 | 10 | 200 |
| LN777PLGL | Powerpoint coverplate 2 gang gun metal | EA | \$7.91 | \$0.79 | 10 | 200 |
| LN777PLVA | Powerpoint coverplate 2 gang runaway bride | EA | \$9.97 | \$1.00 | 10 | 200 |
| LN777PLLG | Powerpoint coverplate 2 gang ghost gum | EA | \$9.97 | \$1.00 | 10 | 200 |
| LN777PLOL | Powerpoint coverplate 2 gang 5 o'clock olive | EA | \$9.97 | \$1.00 | 10 | 200 |
| LN777PLKH | Powerpoint coverplate 2 gang ninja khaki | EA | \$9.97 | \$1.00 | 10 | 200 |
| LN777PLDG | Powerpoint coverplate 2 gang wet elephant | EA | \$9.97 | \$1.00 | 10 | 200 |
| LN777PLMI | Powerpoint coverplate 2 gang midnight dash | EA | \$9.97 | \$1.00 | 10 | 200 |
| LN777PLYE | Powerpoint coverplate 2 gang sunshine | EA | \$9.97 | \$1.00 | 10 | 200 |
| LN777PLOG | Powerpoint coverplate 2 gang orange crush | EA | \$9.97 | \$1.00 | 10 | 200 |
| LN777PLPI | Powerpoint coverplate 2 gang bubblegum | EA | \$9.97 | \$1.00 | 10 | 200 |
| LN777PLRE | Powerpoint coverplate 2 gang saucy red | EA | \$9.97 | \$1.00 | 10 | 200 |
| LN777PLSB | Powerpoint coverplate 2 gang cheeky boy blue | EA | \$9.97 | \$1.00 | 10 | 200 |
| LN777PLAU | Powerpoint coverplate 2 gang abracadabra | EA | \$9.97 | \$1.00 | 10 | 200 |
| | Coverplates for double powerpoints with extra hole | | | | | |
| LN777XPLWE | Powerpoint coverplate 2 gang with extra hole white | EA | \$3.50 | \$0.35 | 10 | 200 |
| LN777XPLBL | Powerpoint coverplate 2 gang with extra hole black | EA | \$3.50 | \$0.35 | 10 | 200 |
| LN777XPLCR | Powerpoint coverplate 2 gang with extra hole cream | EA | \$3.50 | \$0.35 | 10 | 200 |
| LN777XPLMS | Powerpoint coverplate 2 gang with extra hole matt silver | EA | \$7.91 | \$0.79 | 10 | 200 |
| LN777XPLAS | Powerpoint coverplate 2 gang with extra hole asphalt | EA | \$7.91 | \$0.79 | 10 | 200 |
| LN777XPLGL | Powerpoint coverplate 2 gang with extra hole gun metal | EA | \$7.91 | \$0.79 | 10 | 200 |
| LN777XPLVA | Powerpoint coverplate 2 gang with extra hole runaway bride | EA | \$9.97 | \$1.00 | 10 | 200 |
| LN777XPLLG | Powerpoint coverplate 2 gang with extra hole ghost gum | EA | \$9.97 | \$1.00 | 10 | 200 |
| LN777XPLOL | Powerpoint coverplate 2 gang with extra hole 5 o'clock olive | EA | \$9.97 | \$1.00 | 10 | 200 |
| LN777XPLKH | Powerpoint coverplate 2 gang with extra hole ninja khaki | EA | \$9.97 | \$1.00 | 10 | 200 |
| LN777XPLDG | Powerpoint coverplate 2 gang with extra hole wet elephant | EA | \$9.97 | \$1.00 | 10 | 200 |
| LN777XPLMI | Powerpoint coverplate 2 gang with extra hole midnight dash | EA | \$9.97 | \$1.00 | 10 | 200 |
| LN777XPLYE | Powerpoint coverplate 2 gang with extra hole sunshine | EA | \$9.97 | \$1.00 | 10 | 200 |
| LN777XPLOG | Powerpoint coverplate 2 gang with extra hole orange crush | EA | \$9.97 | \$1.00 | 10 | 200 |



New product



Energy Saving products



More info available.
See technical pages



Coming soon



Product to be discontinued

Whilst most items are stock lines some products are made to order. UoM = Unit Of Measure.
Prices are effective 1 June 2017 and are subject to change without notice. Trade prices exclude GST.



LN777APLWE



LN777APLYE



LN777APLPI



LN777ESPLGL



LN777ESPLOL



LN777ESPLKH

| Cat.Nos | | UoM | Trade price \$ | GST \$ | Box qty | Carton qty |
|---|--|-----|----------------|--------|---------|------------|
| Coverplates for double powerpoints with extra hole | | | | | | |
| LN777XPLPI | Powerpoint coverplate 2 gang with extra hole bubblegum | EA | \$9.97 | \$1.00 | 10 | 200 |
| LN777XPLRE | Powerpoint coverplate 2 gang with extra hole saucy red | EA | \$9.97 | \$1.00 | 10 | 200 |
| LN777XPLSB | Powerpoint coverplate 2 gang with extra hole cheeky boy blue | EA | \$9.97 | \$1.00 | 10 | 200 |
| LN777XPLAU | Powerpoint coverplate 2 gang with extra hole abracadabra | EA | \$9.97 | \$1.00 | 10 | 200 |
| Coverplates for autoswitched double powerpoints | | | | | | |
| LN777APLWE | Powerpoint coverplate 2 gang autoswitch white | EA | \$3.50 | \$0.35 | 10 | 200 |
| LN777APLBL | Powerpoint coverplate 2 gang autoswitch black | EA | \$3.50 | \$0.35 | 10 | 200 |
| LN777APLCR | Powerpoint coverplate 2 gang autoswitch cream | EA | \$3.50 | \$0.35 | 10 | 200 |
| LN777APLMS | Powerpoint coverplate 2 gang autoswitch matt silver | EA | \$7.91 | \$0.79 | 10 | 200 |
| LN777APLAS | Powerpoint coverplate 2 gang autoswitch asphalt | EA | \$7.91 | \$0.79 | 10 | 200 |
| LN777APLGL | Powerpoint coverplate 2 gang autoswitch gun metal | EA | \$7.91 | \$0.79 | 10 | 200 |
| LN777APLVA | Powerpoint coverplate 2 gang autoswitch runaway bride | EA | \$9.97 | \$1.00 | 10 | 200 |
| LN777APLLG | Powerpoint coverplate 2 gang autoswitch ghost gum | EA | \$9.97 | \$1.00 | 10 | 200 |
| LN777APLOL | Powerpoint coverplate 2 gang autoswitch 5 o'clock olive | EA | \$9.97 | \$1.00 | 10 | 200 |
| LN777APLKH | Powerpoint coverplate 2 gang autoswitch ninja khaki | EA | \$9.97 | \$1.00 | 10 | 200 |
| LN777APLDG | Powerpoint coverplate 2 gang autoswitch wet elephant | EA | \$9.97 | \$1.00 | 10 | 200 |
| LN777APLMI | Powerpoint coverplate 2 gang autoswitch midnight dash | EA | \$9.97 | \$1.00 | 10 | 200 |
| LN777APLYE | Powerpoint coverplate 2 gang autoswitch sunshine | EA | \$9.97 | \$1.00 | 10 | 200 |
| LN777APLOG | Powerpoint coverplate 2 gang autoswitch orange crush | EA | \$9.97 | \$1.00 | 10 | 200 |
| LN777APLPI | Powerpoint coverplate 2 gang autoswitch bubblegum | EA | \$9.97 | \$1.00 | 10 | 200 |
| LN777APLRE | Powerpoint coverplate 2 gang autoswitch saucy red | EA | \$9.97 | \$1.00 | 10 | 200 |
| LN777APLSB | Powerpoint coverplate 2 gang autoswitch cheeky boy blue | EA | \$9.97 | \$1.00 | 10 | 200 |
| LN777APLAU | Powerpoint coverplate 2 gang autoswitch abracadabra | EA | \$9.97 | \$1.00 | 10 | 200 |
| Coverplates for double powerpoints with extra safety | | | | | | |
| LN777ESPLWE | Powerpoint coverplate 2 gang with extra safety white | EA | \$3.50 | \$0.35 | 10 | 120 |
| LN777ESPLBL | Powerpoint coverplate 2 gang with extra safety black | EA | \$3.50 | \$0.35 | 10 | 120 |
| LN777ESPLMS | Powerpoint coverplate 2 gang with extra safety matt silver | EA | \$7.91 | \$0.79 | 10 | 120 |
| LN777ESPLAS | Powerpoint coverplate 2 gang with extra safety asphalt | EA | \$7.91 | \$0.79 | 10 | 120 |
| LN777ESPLVA | Powerpoint coverplate 2 gang with extra safety runaway bride | EA | \$9.97 | \$1.00 | 10 | 120 |
| LN777ESPLGL | Powerpoint coverplate 2 gang with extra safety gun metal | EA | \$7.91 | \$0.79 | 10 | 120 |
| LN777ESPLLG | Powerpoint coverplate 2 gang with extra safety ghost gum | EA | \$9.97 | \$1.00 | 10 | 120 |
| LN777ESPLOL | Powerpoint coverplate 2 gang with extra safety 5 o'clock olive | EA | \$9.97 | \$1.00 | 10 | 120 |
| LN777ESPLKH | Powerpoint coverplate 2 gang with extra safety ninja khaki | EA | \$9.97 | \$1.00 | 10 | 120 |
| LN777ESPLDG | Powerpoint coverplate 2 gang with extra safety wet elephant | EA | \$9.97 | \$1.00 | 10 | 120 |



New product



Energy Saving products



More info available.
See technical pages



Coming soon



Product to be discontinued

Linea

Coverplates



LN777AESPLRE



LN777AESPLSB



LN777AESPLAU



LN777AESPLBL



LN777AESPLGL



LN777AESPLKH

| Cat.Nos | | UoM | Trade price \$ | GST \$ | Box qty | Carton qty |
|--|---|-----|----------------|--------|---------|------------|
| Coverplates for double powerpoints with extra safety | | | | | | |
| Double powerpoint coverplates | | | | | | |
| LN777ESPLMI | Powerpoint coverplate 2 gang with extra safety midnight dash | EA | \$9.97 | \$1.00 | 10 | 120 |
| LN777ESPLYE | Powerpoint coverplate 2 gang with extra safety sunshine | EA | \$9.97 | \$1.00 | 10 | 120 |
| LN777ESPLOG | Powerpoint coverplate 2 gang with extra safety orange crush | EA | \$9.97 | \$1.00 | 10 | 120 |
| LN777ESPLPI | Powerpoint coverplate 2 gang with extra safety bubblegum | EA | \$9.97 | \$1.00 | 10 | 120 |
| LN777ESPLRE | Powerpoint coverplate 2 gang with extra safety saucy red | EA | \$9.97 | \$1.00 | 10 | 120 |
| LN777ESPLSB | Powerpoint coverplate 2 gang with extra safety cheeky boy blue | EA | \$9.97 | \$1.00 | 10 | 120 |
| LN777ESPLAU | Powerpoint coverplate 2 gang with extra safety abracadabra | EA | \$9.97 | \$1.00 | 10 | 120 |
| Coverplates for autoswitched double powerpoints with extra safety | | | | | | |
| LN777AESPLWE | Powerpoint coverplate 2 gang autoswitch with extra safety white | EA | \$3.50 | \$0.35 | 10 | 120 |
| LN777AESPLBL | Powerpoint coverplate 2 gang autoswitch with extra safety black | EA | \$3.50 | \$0.35 | 10 | 120 |
| LN777AESPLMS | Powerpoint coverplate 2 gang autoswitch with extra safety matt silver | EA | \$7.91 | \$0.79 | 10 | 120 |
| LN777AESPLAS | Powerpoint coverplate 2 gang autoswitch with extra safety asphalt | EA | \$7.91 | \$0.79 | 10 | 120 |
| LN777AESPLGL | Powerpoint coverplate 2 gang autoswitch with extra safety gun metal | EA | \$7.91 | \$0.79 | 10 | 120 |
| LN777AESPLVA | Powerpoint coverplate 2 gang autoswitch with extra safety runaway bride | EA | \$9.97 | \$1.00 | 10 | 120 |
| LN777AESPLLG | Powerpoint coverplate 2 gang autoswitch with extra safety ghost gum | EA | \$9.97 | \$1.00 | 10 | 120 |
| LN777AESPLOL | Powerpoint coverplate 2 gang autoswitch with extra safety 5 o'clock olive | EA | \$9.97 | \$1.00 | 10 | 120 |
| LN777AESPLKH | Powerpoint coverplate 2 gang autoswitch with extra safety ninja khaki | EA | \$9.97 | \$1.00 | 10 | 120 |
| LN777AESPLDG | Powerpoint coverplate 2 gang autoswitch with extra safety wet elephant | EA | \$9.97 | \$1.00 | 10 | 120 |
| LN777AESPLMI | Powerpoint coverplate 2 gang autoswitch with extra safety midnight dash | EA | \$9.97 | \$1.00 | 10 | 120 |
| LN777ESPLYE | Powerpoint coverplate 2 gang autoswitch with extra safety sunshine | EA | \$9.97 | \$1.00 | 10 | 120 |
| LN777AESPLLOG | Powerpoint coverplate 2 gang autoswitch with extra safety orange crush | EA | \$9.97 | \$1.00 | 10 | 120 |
| LN777AESPLPI | Powerpoint coverplate 2 gang autoswitch with extra safety bubblegum | EA | \$9.97 | \$1.00 | 10 | 120 |
| LN777AESPLRE | Powerpoint coverplate 2 gang autoswitch with extra safety saucy red | EA | \$9.97 | \$1.00 | 10 | 120 |
| LN777AESPLSB | Powerpoint coverplate 2 gang autoswitch with extra safety cheeky boy blue | EA | \$9.97 | \$1.00 | 10 | 120 |
| LN777AESPLAU | Powerpoint coverplate 2 gang autoswitch with extra safety abracadabra | EA | \$9.97 | \$1.00 | 10 | 120 |



New product



Energy Saving products



More info available.
See technical pages



Coming soon



Product to be discontinued

Whilst most items are stock lines some products are made to order. UoM = Unit Of Measure.
Prices are effective 1 June 2017 and are subject to change without notice. Trade prices exclude GST.

Linea

Installation accessories



LN711




LN751



LN429



LNPC

| Cat.Nos | | UoM | Trade price \$ | GST \$ | Box qty | Carton qty |
|--------------------------|--|-----|----------------|--------|---------|------------|
| Mounting brackets | | | | | | |
| LN711 | Mounting clips metal for 5mm plasterboard walls | EA | \$2.14 | \$0.21 | 10 | 100 |
| Shrouds | | | | | | |
| LN751 | Shroud black for Linea range | EA | \$4.95 | \$0.50 | 10 | 300 |
| Wall boxes | | | | | | |
| LN429 | Wall box black for Linea range  | EA | \$5.51 | \$0.55 | 10 | 120 |
| Paint cover | | | | | | |
| LNPC | Paint cover transparent for Linea range | EA | \$0.31 | \$0.03 | - | 500 |



New product



Energy Saving products



More info available.
See technical pages



Coming soon



Product to be discontinued

Excel Life - dedicated plate series

Switches



ED770/1WE



ED770/2UG



ED770/3BL



ED770/4WE



ED770/40DPCTPWE



ED770/1IPWE

| Cat.Nos | Vertical | UoM | Trade price \$ | GST \$ | Box qty | Carton qty |
|---|---|-----|----------------|--------|---------|------------|
| Rocker switches - 16AX 2 way single Pole Double Throw (SPDT) | | | | | | |
| ED770/1WE | Switch 1 gang 16AX 240V a.c. white | EA | \$8.08 | \$0.81 | 10 | 120 |
| ED770/1UG | Switch 1 gang 16AX 240V a.c. urban grey | EA | \$11.37 | \$1.14 | 10 | 120 |
| ED770/1BL | Switch 1 gang 16AX 240V a.c. black | N | \$8.24 | \$0.82 | 10 | 120 |
| ED770/2WE | Switch 2 gang 16AX 240V a.c. white | EA | \$13.40 | \$1.34 | 10 | 120 |
| ED770/2UG | Switch 2 gang 16AX 240V a.c. urban grey | EA | \$16.80 | \$1.68 | 10 | 120 |
| ED770/2BL | Switch 2 gang 16AX 240V a.c. black | N | \$13.68 | \$1.37 | 10 | 120 |
| ED770/3WE | Switch 3 gang 16AX 240V a.c. white | EA | \$26.17 | \$2.62 | 10 | 120 |
| ED770/3UG | Switch 3 gang 16AX 240V a.c. urban grey | EA | \$29.29 | \$2.93 | 10 | 120 |
| ED770/3BL | Switch 3 gang 16AX 240V a.c. black | N | \$26.17 | \$2.62 | 10 | 120 |
| ED770/4WE | Switch 4 gang 16AX 240V a.c. white | EA | \$40.78 | \$4.08 | 10 | 120 |
| ED770/4UG | Switch 4 gang 16AX 240V a.c. urban grey | EA | \$43.90 | \$4.39 | 10 | 120 |
| ED770/4BL | Switch 4 gang 16AX 240V a.c. black | N | \$40.78 | \$4.08 | 10 | 120 |
| ED770/5WE | Switch 5 gang 16AX 240V a.c. white | EA | \$57.61 | \$5.76 | 10 | 120 |
| ED770/5UG | Switch 5 gang 16AX 240V a.c. urban grey | EA | \$60.73 | \$6.07 | 10 | 120 |
| ED770/5BL | Switch 5 gang 16AX 240V a.c. black | N | \$57.61 | \$5.76 | 10 | 120 |
| ED770/6WE | Switch 6 gang 16AX 240V a.c. white | EA | \$67.78 | \$6.78 | 10 | 120 |
| ED770/6UG | Switch 6 gang 16AX 240V a.c. urban grey | EA | \$70.90 | \$7.09 | 10 | 120 |
| ED770/6BL | Switch 6 gang 16AX 240V a.c. black | N | \$67.78 | \$6.78 | 10 | 120 |
| Heavy duty rocker switches | | | | | | |
| ED770/40WE | Switch 1 gang 40A 240V a.c. white | EA | \$24.69 | \$2.47 | 10 | 120 |
| ED770/40UG | Switch 1 gang 40A 240V a.c. urban grey | EA | \$27.82 | \$2.78 | 10 | 120 |
| ED770/40DPWE | Switch 1 gang double pole 40A 240V a.c. white | EA | \$36.08 | \$3.61 | 10 | 120 |
| ED770/40DPUG | Switch 1 gang double pole 40A 240V a.c. urban grey | EA | \$39.20 | \$3.92 | 10 | 120 |
| ED770/40DPCTPWE | Switch 1 gang double pole 40A 240V a.c. "Cooktop" engraved white | EA | \$40.73 | \$4.07 | 10 | 120 |
| ED770/40DPCTPUG | Switch 1 gang double pole 40A 240V a.c. "Cooktop" engraved urban grey | EA | \$43.86 | \$4.39 | 10 | 120 |
| ED770/40DPCTPBL | Switch 1 gang double pole 40A 240V a.c. "Cooktop" engraved black | N | \$40.73 | \$4.07 | 10 | 120 |
| Weatherproof IP66 rocker switches - 16AX 2 way Single Pole Double Throw (SPDT) | | | | | | |
| ED770/1IPWE | Switch 1 gang IP66 16AX 240V a.c. white | EA | \$29.91 | \$2.99 | 6 | 72 |
| ED770/1IPUG | Switch 1 gang IP66 16AX 240V a.c. urban grey | EA | \$33.03 | \$3.30 | 6 | 72 |
| ED770/2IPWE | Switch 2 gang IP66 16AX 240V a.c. white | EA | \$40.82 | \$4.08 | 6 | 72 |
| ED770/2IPUG | Switch 2 gang IP66 16AX 240V a.c. urban grey | EA | \$43.94 | \$4.39 | 6 | 72 |
| ED770/3IPWE | Switch 3 gang IP66 16AX 240V a.c. white | EA | \$52.44 | \$5.24 | 6 | 72 |
| ED770/4IPWE | Switch 4 gang IP66 16AX 240V a.c. white | EA | \$65.18 | \$6.52 | 6 | 72 |



New product



Energy Saving products



More info available.
See technical pages



Coming soon



Product to be discontinued

Whilst most items are stock lines some products are made to order. UoM = Unit Of Measure.
Prices are effective 1 June 2017 and are subject to change without notice. Trade prices exclude GST.

Excel Life - dedicated plate series

Switches



ED3FCWE



ED770/4FLHHCWE



EDA770/1WE



ED770/2HWE



ED20A/4KTWE



EDKFSWE

| Cat.Nos | | UoM | Trade price \$ | GST \$ | Box qty | Carton qty |
|----------------|--|-----|----------------|---------|---------|------------|
| | Vertical | | | | | |
| | Fan controllers | | | | | |
| ED3FCWE | Fan controller 1 gang 100VA 3 speed white | EA | \$52.05 | \$5.20 | - | 100 |
| | Instant heat controllers | | | | | |
| ED770/3FLHWE | Switch 3 gang 10A 240V a.c. "Fan/Light/Heat" engraved white | EA | \$29.65 | \$2.96 | 10 | 120 |
| ED770/3FLHCWE | Switch 3 gang 10A 240V a.c. "Fan/Light/Heat" engraved with capacitor white* | EA | \$36.38 | \$3.64 | 10 | 120 |
| ED770/4FLHHWE | Switch 4 gang 10A 240V a.c. "Fan/Light/Heat/Heat" engraved white | EA | \$44.26 | \$4.43 | 10 | 120 |
| ED770/4FLHHCWE | Switch 4 gang 10A 240V a.c. "Fan/Light/Heat/Heat" engraved with capacitor white* | EA | \$50.99 | \$5.10 | 10 | 120 |
| | Architrave | | | | | |
| EDA770/1WE | Architrave switch 1 gang 16AX white | EA | \$9.10 | \$0.91 | 10 | 120 |
| EDA770/2WE | Architrave switch 2 gang 16AX white | EA | \$22.42 | \$2.24 | 10 | 120 |
| EDA770/3WE | Architrave switch 3 gang 16AX white | EA | \$35.29 | \$3.53 | 10 | 120 |
| | Horizontal | | | | | |
| | Rocker switches - Single Pole Double Throw (SPDT) | | | | | |
| ED770/1HWE | Switch 1 gang 16AX 240V a.c. white | EA | \$8.08 | \$0.81 | 10 | 120 |
| ED770/2HWE | Switch 2 gang 16AX 240V a.c. white | EA | \$13.40 | \$1.34 | 10 | 120 |
| ED770/3HWE | Switch 3 gang 16AX 240V a.c. white | EA | \$26.17 | \$2.62 | 10 | 120 |
| ED770/4HWE | Switch 4 gang 16AX 240V a.c. white | EA | \$40.78 | \$4.08 | 10 | 120 |
| ED770/5HWE | Switch 5 gang 16AX 240V a.c. white | EA | \$57.61 | \$5.76 | 10 | 120 |
| ED770/6HWE | Switch 6 gang 16AX 240V a.c. white | EA | \$67.78 | \$6.78 | 10 | 120 |
| | Weatherproof IP66 rocker switches - Single Pole Double Throw (SPDT) | | | | | |
| ED770/1HIPWE | Switch 1 gang IP66 16AX 240V a.c. white | EA | \$29.91 | \$2.99 | 6 | 72 |
| ED770/2HIPWE | Switch 2 gang IP66 16AX 240V a.c. white | EA | \$40.82 | \$4.08 | 6 | 72 |
| | Hospitality | | | | | |
| | Keycard switches | | | | | |
| ED20A/4KTWE | Keycard switch 1 gang 4 x 20A 240V a.c. white | EA | \$173.13 | \$17.31 | 10 | 120 |
| ED20A/4KTUG | Keycard switch 1 gang 4 x 20A 240V a.c. urban grey | EA | \$176.25 | \$17.62 | 10 | 120 |
| ED20A/4KTBL | Keycard switch 1 gang 4 x 20A 24w0V a.c. black | EA | \$173.13 | \$17.31 | 10 | 120 |
| | Keyfob switches | | | | | |
| EDKFSWE | Key fob switch 30s time delay 1 gang 240V a.c. white | EA | \$83.63 | \$8.36 | 4 | 48 |

*For ducted instant heat models



New product



Energy Saving products



More info available.
See technical pages



Coming soon



Product to be discontinued

Excel Life - dedicated plate series

Powerpoints - single and double



ED787WE



ED787XWE



ED787/2XUG



ED787ARWE



ED777WE



ED777BL

| Cat.Nos | Horizontal powerpoints | UoM | Trade price \$ | GST \$ | Box qty | Carton qty |
|---------------------------|--|-----|----------------|--------|---------|------------|
| Single powerpoints | | | | | | |
| ED787WE | Powerpoint 1 gang 10A 240V a.c. white | EA | \$10.92 | \$1.09 | 10 | 120 |
| ED787UG | Powerpoint 1 gang 10A 240V a.c. urban grey | EA | \$14.27 | \$1.43 | 10 | 120 |
| ED787BL | Powerpoint 1 gang 10A 240V a.c. black | EA | \$11.15 | \$1.12 | 10 | 120 |
| ED787XWE | Powerpoint 1 gang 10A 240V a.c. with extra function hole white | EA | \$21.48 | \$2.15 | 10 | 120 |
| ED787XUG | Powerpoint 1 gang 10A 240V a.c. with extra function hole urban grey | EA | \$24.60 | \$2.46 | 10 | 120 |
| ED787/2XWE | Powerpoint 1 gang 10A 240V a.c. with 2 extra function holes white | EA | \$24.41 | \$2.44 | 10 | 120 |
| ED787/2XUG | Powerpoint 1 gang 10A 240V a.c. with 2 extra function holes urban grey | EA | \$27.53 | \$2.75 | 10 | 120 |
| ED787AWE | Powerpoint 1 gang 10A 240V a.c. autoswitch white | EA | \$12.39 | \$1.24 | 10 | 120 |
| ED787AUG | Powerpoint 1 gang 10A 240V a.c. autoswitch urban grey | EA | \$15.51 | \$1.55 | 10 | 120 |
| ED787DPWE | Powerpoint 1 gang double pole 10A 240V a.c. white | EA | \$32.02 | \$3.20 | 10 | 120 |
| ED787DPUG | Powerpoint 1 gang double pole 10A 240V a.c. urban grey | EA | \$35.14 | \$3.51 | 10 | 120 |
| ED787ARWE | Powerpoint 1 gang 10A 240V a.c. autoswitch with round earth white | EA | \$49.66 | \$4.97 | 10 | 120 |
| ED787ARUG | Powerpoint 1 gang 10A 240V a.c. autoswitch with round earth urban grey | EA | \$52.78 | \$5.28 | 10 | 120 |
| ED787RWE | Powerpoint 1 gang 10A 240V a.c. with round earth white | EA | \$49.66 | \$4.97 | 10 | 120 |
| ED787RUG | Powerpoint 1 gang 10A 240V a.c. with round earth urban grey | EA | \$52.78 | \$5.28 | 10 | 120 |
| ED787/15WE | Powerpoint 1 gang 15A 240V a.c. white | EA | \$22.75 | \$2.28 | 10 | 120 |
| ED787/15UG | Powerpoint 1 gang 15A 240V a.c. urban grey | EA | \$25.87 | \$2.59 | 10 | 120 |
| ED787/15BL | Powerpoint 1 gang 15A 240V a.c. black | EA | \$22.75 | \$2.28 | 10 | 120 |
| ED787A/15WE | Powerpoint 1 gang 15A 240V a.c. autoswitch white | EA | \$25.70 | \$2.57 | 10 | 120 |
| ED787A/15UG | Powerpoint 1 gang 15A 240V a.c. autoswitch urban grey | EA | \$28.83 | \$2.88 | 10 | 120 |
| ED787/20WE | Powerpoint 1 gang 20A 240V a.c. white | EA | \$32.68 | \$3.27 | 10 | 120 |
| ED787/20UG | Powerpoint 1 gang 20A 240V a.c. urban grey | EA | \$35.80 | \$3.58 | 10 | 120 |
| ED787/25WE | Powerpoint 1 gang 25A 240V a.c. white | EA | \$63.25 | \$6.32 | 10 | 120 |
| ED787/25UG | Powerpoint 1 gang 25A 240V a.c. urban grey | EA | \$66.37 | \$6.64 | 10 | 120 |
| ED787U/32WE | Powerpoint 1 gang 32A 240V a.c. unswitched white | EA | \$67.14 | \$6.71 | 10 | 120 |
| ED787U/32UG | Powerpoint 1 gang 32A 240V a.c. unswitched urban grey | EA | \$70.27 | \$7.03 | 10 | 120 |
| ED787U/32BL | Powerpoint 1 gang 32A 240V a.c. unswitched black | EA | \$67.14 | \$6.71 | 10 | 120 |
| Double powerpoints | | | | | | |
| ED777WE | Powerpoint 2 gang 10A 240V a.c. white | EA | \$16.30 | \$1.63 | 10 | 120 |
| ED777UG | Powerpoint 2 gang 10A 240V a.c. urban grey | EA | \$19.76 | \$1.98 | 10 | 120 |
| ED777BL | Powerpoint 2 gang 10A 240V a.c. black | EA | \$16.64 | \$1.66 | 10 | 120 |
| ED777XWE | Powerpoint 2 gang 10A 240V a.c. with extra function hole white | EA | \$33.76 | \$3.38 | 10 | 120 |
| ED777XUG | Powerpoint 2 gang 10A 240V a.c. with extra function hole urban grey | EA | \$36.88 | \$3.69 | 10 | 120 |



New product



Energy Saving products

More info available.
See technical pages

Coming soon



Product to be discontinued

Whilst most items are stock lines some products are made to order. UoM = Unit Of Measure.
Prices are effective 1 June 2017 and are subject to change without notice. Trade prices exclude GST.

Excel Life - dedicated plate series

Powerpoints



ED777USB2PSAWE



ED777USB2IUG



ED777ABL



ED777XBL



ED777ESWE

| Cat.Nos | | UoM | Trade price \$ | GST \$ | Box qty | Carton qty |
|---|---|-----|----------------|--------|---------|------------|
| Horizontal powerpoints | | | | | | |
| Double powerpoints | | | | | | |
| ED777XBL | Powerpoint 2 gang 10A 240V a.c. with extra function hole black | EA | \$33.76 | \$3.38 | 10 | 120 |
| ED777ESWE | Powerpoint 2 gang 10A 240V a.c. with extra safety white | EA | \$23.75 | \$2.38 | 10 | 120 |
| ED777ESUG | Powerpoint 2 gang 10A 240V a.c. with extra safety urban grey | EA | \$26.87 | \$2.69 | 10 | 120 |
| ED777AWE | Powerpoint 2 gang 10A 240V a.c. autoswitch white | EA | \$18.95 | \$1.90 | 10 | 120 |
| ED777AUG | Powerpoint 2 gang 10A 240V a.c. autoswitch urban grey | EA | \$22.07 | \$2.21 | 10 | 120 |
| ED777ABL | Powerpoint 2 gang 10A 240V a.c. autoswitch black | EA | \$18.95 | \$1.90 | 10 | 120 |
| ED777AESWE | Powerpoint 2 gang 10A 240V a.c. autoswitch with safety shutters white | EA | \$34.14 | \$3.41 | 10 | 120 |
| ED777AESUG | Powerpoint 2 gang 10A 240V a.c. autoswitch with safety shutters urban grey | EA | \$37.27 | \$3.73 | 10 | 120 |
| ED777DPWE | Powerpoint 2 gang double pole 10A 240V a.c. white | EA | \$49.23 | \$4.92 | 10 | 120 |
| ED777DPUG | Powerpoint 2 gang double pole 10A 240V a.c. urban grey | EA | \$52.35 | \$5.24 | 10 | 120 |
| ED777RWE | Powerpoint 2 gang 10A 240V a.c. with round earth white | EA | \$69.48 | \$6.95 | 10 | 120 |
| ED777RUG | Powerpoint 2 gang 10A 240V a.c. with round earth urban grey | EA | \$72.60 | \$7.26 | 10 | 120 |
| ED777/15WE | Powerpoint 2 gang 15A 240V a.c. white | EA | \$69.37 | \$6.94 | 10 | 120 |
| ED777/15UG | Powerpoint 2 gang 15A 240V a.c. urban grey | EA | \$72.50 | \$7.25 | 10 | 120 |
| Double powerpoints with USB charger for plasterboard and single brick wall installation - Dual type A | | | | | | |
| ED777USB2PSAWE | Powerpoint 2 gang 10A 240V a.c. with USB charger 2x2.4A white | EA | \$80.68 | \$8.07 | - | 12 |
| ED777USB2PSAUG | Powerpoint 2 gang 10A 240V a.c. with USB charger 2x2.4A urban grey | EA | \$83.80 | \$8.38 | - | 12 |
| Double powerpoints with USB charger for plasterboard and single brick wall installations - Dual type A engraved "USB chargers" | | | | | | |
| ED777USBENGWE | Powerpoint 2 gang 10A 240V a.c. with USB charger 2x2.4A white | EA | \$88.38 | \$8.84 | - | 12 |
| ED777USBENGUG | Powerpoint 2 gang 10A 240V a.c. with USB charger 2x2.4A urban grey | EA | \$91.50 | \$9.15 | - | 12 |
| ED777USBENGBL | Powerpoint 2 gang 10A 240V a.c. with USB charger 2x2.4A black | EA | \$88.38 | \$8.84 | - | 12 |
| Double powerpoints with USB charger for wall box, fire box and double brick wall installation - Dual type A | | | | | | |
| ED777USB2PSXWE | Powerpoint 2 gang 10A 240V a.c. with USB charger 2x2.4A & inline connector white | EA | \$86.92 | \$8.69 | - | 12 |
| ED777USB2PSXUG | Powerpoint 2 gang 10A 240V a.c. with USB charger 2x2.4A & inline connector urban grey | EA | \$90.05 | \$9.00 | - | 12 |
| Extension lead for dual USB charger mechanisms EMUSB2PSX series | | | | | | |
| EAUSBEXT3WE | Extension lead 3m with connectors for EMUSB2PSX USB charger mechanisms | EA | \$22.80 | \$2.28 | - | - |
| Double powerpoints with integrated USB charger for wall boxes and brick wall installations - Dual type A | | | | | | |
| ED777USB2IWE | Powerpoint 2 gang 10A 240Va.c. with integrated USB charger 2.4A white | EA | \$62.46 | \$6.25 | 6 | 120 |
| ED777USB2IUG | Powerpoint 2 gang 10A 240Va.c. with integrated USB charger 2.4A urban grey | EA | \$65.58 | \$6.56 | 6 | 120 |
| ED777USB2IBL | Powerpoint 2 gang 10A 240Va.c. with integrated USB charger 2.4A black | EA | \$62.46 | \$6.25 | 6 | 120 |



New product



Energy Saving products

More info available.
See technical pages

Coming soon



Product to be discontinued

Excel Life - dedicated plate series

Powerpoints



ED777USB1CWE



ED777EL30WE



ED7774WE

| Cat.Nos | Horizontal powerpoints | UoM | Trade price \$ | GST \$ | Box qty | Carton qty |
|---|--|-----|----------------|---------|---------|------------|
| Double powerpoints with USB charger for plasterboard and single brick wall installations - Type A and Type C | | | | | | |
| ED777USB2ACWE | Powerpoint 2 gang 10A 240Va.c. with type A&C USB charger 2x2.4A white | EA | \$87.50 | \$8.75 | - | 12 |
| ED777USB2ACUG | Powerpoint 2 gang 10A 240Va.c. with type A&C USB charger 2x2.4A urban grey | EA | \$90.50 | \$9.05 | - | 12 |
| ED777USB2ACBL | Powerpoint 2 gang 10A 240Va.c. with type A&C USB charger 2x2.4A black | EA | \$87.50 | \$8.75 | - | 12 |
| Double powerpoints with USB charger for plasterboard and single brick wall installations - Single type C | | | | | | |
| ED777USB1CWE | Powerpoint 2 gang 10A 240Va.c. with type C USB charger 45W white | EA | \$99.90 | \$9.99 | - | 12 |
| ED777USB1CUG | Powerpoint 2 gang 10A 240Va.c. with type C USB charger 45W urban grey | EA | \$101.90 | \$10.19 | - | 12 |
| ED777USB1CBL | Powerpoint 2 gang 10A 240Va.c. with type C USB charger 45W black | EA | \$99.90 | \$9.99 | - | 12 |
| Double powerpoints with RCD protection | | | | | | |
| ED777EL30WE | Powerpoint 2 gang 10A 240V a.c. with RCD 30mA white | EA | \$180.12 | \$18.01 | - | 12 |
| ED777EL30UG | Powerpoint 2 gang 10A 240V a.c. with RCD 30mA urban grey | EA | \$183.25 | \$18.32 | - | 12 |
| ED777EL10WE | Powerpoint 2 gang 10A 240V a.c. with RCD 10mA white | EA | \$218.77 | \$21.88 | - | 12 |
| ED777EL10UG | Powerpoint 2 gang 10A 240V a.c. with RCD 10mA urban grey | EA | \$221.89 | \$22.19 | - | 12 |
| 4 Gang powerpoints | | | | | | |
| ED7774WE | Powerpoint 4 gang 10A 240V a.c. white | EA | \$56.36 | \$5.64 | 5 | 40 |
| ED7774UG | Powerpoint 4 gang 10A 240V a.c. urban grey | EA | \$59.48 | \$5.95 | 5 | 40 |
| ED7774BL | Powerpoint 4 gang 10A 240V a.c. urban black | EA | \$56.36 | \$5.64 | 5 | 40 |



New product



Energy Saving products



More info available. See technical pages



Coming soon



Product to be discontinued

Whilst most items are stock lines some products are made to order. UoM = Unit Of Measure. Prices are effective 1 June 2017 and are subject to change without notice. Trade prices exclude GST.

Excel Life - dedicated plate series

Powerpoints and data, audio & video sockets



EDV787/2XWE



EDV787ARWE



EDV777WE



EDV777XWE



EDV777AWE



EDWCWEMS

| Cat.Nos | Vertical powerpoints | UoM | Trade price \$ | GST \$ | Box qty | Carton qty |
|---|---|-----|----------------|---------|---------|------------|
| Single powerpoints | | | | | | |
| EDV787WE | Powerpoint 1 gang 10A 240V a.c. white | EA | \$19.22 | \$1.92 | 10 | 120 |
| EDV787UG | Powerpoint 1 gang 10A 240V a.c. urban grey | EA | \$22.34 | \$2.23 | 10 | 120 |
| EDV787BL | Powerpoint 1 gang 10A 240V a.c. black N | EA | \$19.22 | \$1.92 | 10 | 120 |
| EDV787XWE | Powerpoint 1 gang 10A 240V a.c. with extra function hole white | EA | \$37.53 | \$3.75 | 10 | 120 |
| EDV787XUG | Powerpoint 1 gang 10A 240V a.c. with extra function hole urban grey | EA | \$40.65 | \$4.06 | 10 | 120 |
| EDV787/2XWE | Powerpoint 1 gang 10A 240V a.c. with 2 extra function holes white | EA | \$49.31 | \$4.93 | 10 | 120 |
| EDV787/2XUG | Powerpoint 1 gang 10A 240V a.c. with 2 extra function holes urban grey | EA | \$52.44 | \$5.24 | 10 | 120 |
| EDV787RWE | Powerpoint 1 gang 10A 240V a.c. with round earth white | EA | \$62.06 | \$6.21 | 10 | 120 |
| EDV787RUG | Powerpoint 1 gang 10A 240V a.c. with round earth urban grey | EA | \$65.19 | \$6.52 | 10 | 120 |
| EDV787ARWE | Powerpoint 1 gang 10A 240V a.c. autoswitch with round earth white | EA | \$39.86 | \$3.99 | 10 | 120 |
| EDV787ARUG | Powerpoint 1 gang 10A 240V a.c. autoswitch with round earth urban grey | EA | \$65.19 | \$6.52 | 10 | 120 |
| EDV787/15WE | Powerpoint 1 gang 15A 240V a.c. white | EA | \$39.86 | \$3.99 | 10 | 120 |
| EDV787/15UG | Powerpoint 1 gang 15A 240V a.c. urban grey | EA | \$42.98 | \$4.30 | 10 | 120 |
| EDV787A/15WE | Powerpoint 1 gang 15A 240V a.c. autoswitch white | EA | \$39.86 | \$3.99 | 10 | 120 |
| EDV787A/15UG | Powerpoint 1 gang 15A 240V a.c. autoswitch urban grey | EA | \$42.98 | \$4.30 | 10 | 120 |
| Double powerpoints | | | | | | |
| EDV777WE | Powerpoint 2 gang 10A 240V a.c. white | EA | \$30.76 | \$3.08 | 10 | 120 |
| EDV777UG | Powerpoint 2 gang 10A 240V a.c. urban grey | EA | \$33.88 | \$3.39 | 10 | 120 |
| EDV777BL | Powerpoint 2 gang 10A 240V a.c. black N | EA | \$30.76 | \$3.08 | 10 | 120 |
| EDV777XWE | Powerpoint 2 gang 10A 240V a.c. with extra function hole white | EA | \$57.10 | \$5.71 | 10 | 120 |
| EDV777XUG | Powerpoint 2 gang 10A 240V a.c. with extra function hole urban grey | EA | \$60.22 | \$6.02 | 10 | 120 |
| EDV777XBL | Powerpoint 2 gang 10A 240V a.c. with extra function hole black N | EA | \$57.10 | \$5.71 | 10 | 120 |
| EDV777AWE | Powerpoint 2 gang 10A 240V a.c. autoswitch white | EA | \$30.76 | \$3.08 | 10 | 120 |
| EDV777AUG | Powerpoint 2 gang 10A 240V a.c. autoswitch urban grey | EA | \$33.88 | \$3.39 | 10 | 120 |
| Wireless Charging - Induction | | | | | | |
| Wall mount wireless charging station Type A USB port | | | | | | |
| EDWCWEMS | Wireless charger 1A with Type A USB port 2.4A silver COMING SOON | EA | \$92.90 | \$9.30 | 1 | 10 |
| Tamper-proof outdoor wireless charger | | | | | | |
| 077599 | Wireless charger 1A IK08-IP66 (80051 to be used for mounting) COMING SOON | EA | \$112.90 | \$11.30 | 1 | 10 |
| Table top mount wireless charger pad | | | | | | |
| 077580 | Wireless charging pad 1A IK04-IP4 80mm cut-out (supplied with 2.5mm micro USB/USB cord for supply) COMING SOON | EA | \$57.00 | \$5.70 | 1 | 10 |



New product



Energy Saving products

More info available.
See technical pages

Coming soon



Product to be discontinued

Excel Life – dedicated plate series

Grid & plates



ED770/1GPLWE



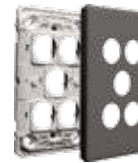
ED770/2GPLBL



ED770/3GPLUG



ED770/4GPLWE



ED770/5GPLUG



ED770/6GPLWE

| Cat.Nos | Shaver outlets | UoM | Trade price \$ | GST | Box qty | Carton qty |
|--------------|---|-----|----------------|---------|---------|------------|
| ED798BL | Shaver outlet 10A 115/240V a.c. black N | EA | \$188.94 | \$18.89 | 2 | 16 |
| | Shaver outlets | | | | | |
| | USB dual charger for installation in wall box | | | | | |
| ED920USB2WE | Dual USB charger Type A 1.5A 2 module white | EA | \$50.18 | \$5.02 | 3 | 36 |
| | Grid & plates | | | | | |
| | For EM series mechanisms | | | | | |
| ED770/1GPLWE | Grid & plate 1 gang white | EA | \$4.42 | \$0.44 | 10 | 120 |
| ED770/1GPLUG | Grid & plate 1 gang urban grey | EA | \$7.55 | \$0.76 | 10 | 120 |
| ED770/1GPLBL | Grid & plate 1 gang black N | EA | \$4.42 | \$0.44 | 10 | 120 |
| ED770/2GPLWE | Grid & plate 2 gang white | EA | \$4.49 | \$0.45 | 10 | 120 |
| ED770/2GPLUG | Grid & plate 2 gang urban grey | EA | \$7.61 | \$0.76 | 10 | 120 |
| ED770/2GPLBL | Grid & plate 2 gang black N | EA | \$4.49 | \$0.45 | 10 | 120 |
| ED770/3GPLWE | Grid & plate 3 gang white | EA | \$4.49 | \$0.45 | 10 | 120 |
| ED770/3GPLUG | Grid & plate 3 gang urban grey | EA | \$7.61 | \$0.76 | 10 | 120 |
| ED770/3GPLBL | Grid & plate 3 gang black N | EA | \$4.49 | \$0.45 | 10 | 120 |
| ED770/4GPLWE | Grid & plate 4 gang white | EA | \$7.85 | \$0.78 | 10 | 120 |
| ED770/4GPLUG | Grid & plate 4 gang urban grey | EA | \$10.97 | \$1.10 | 10 | 120 |
| ED770/4GPLBL | Grid & plate 4 gang black N | EA | \$7.85 | \$0.78 | 10 | 120 |
| ED770/5GPLWE | Grid & plate 5 gang white | EA | \$7.85 | \$0.78 | 10 | 120 |
| ED770/5GPLUG | Grid & plate 5 gang urban grey | EA | \$10.97 | \$1.10 | 10 | 120 |
| ED770/5GPLBL | Grid & plate 5 gang black N | EA | \$7.85 | \$0.78 | 10 | 120 |
| ED770/6GPLWE | Grid & plate 6 gang white | EA | \$7.85 | \$0.78 | 10 | 120 |
| ED770/6GPLUG | Grid & plate 6 gang urban grey | EA | \$10.97 | \$1.10 | 10 | 120 |
| ED770/6GPLBL | Grid & plate 6 gang black N | EA | \$7.85 | \$0.78 | 10 | 120 |
| ED770/0GPLWE | Grid & plate blank white | EA | \$4.49 | \$0.45 | 10 | 120 |
| ED770/0GPLUG | Grid & plate blank urban grey | EA | \$7.61 | \$0.76 | 10 | 120 |
| ED770/0GPLBL | Grid & plate blank black N | EA | \$4.49 | \$0.45 | 10 | 120 |
| | Grids and plates for Arteur mechanisms | | | | | |
| ED920GPLWE | Grid & plate white for 2 x 22.5x45mm modules | EA | \$4.49 | \$0.45 | 10 | 120 |
| ED920GPLBL | Grid & plate black for 2 x 22.5x45mm modules N | EA | \$4.49 | \$0.45 | 10 | 120 |



New product



Energy Saving products

More info available.
See technical pages

Coming soon



Product to be discontinued

Whilst most items are stock lines some products are made to order. UoM = Unit Of Measure.
Prices are effective 1 June 2017 and are subject to change without notice. Trade prices exclude GST.

Excel Life – dedicated plate series

Grid & plates



EDA770/1GPLWE



EDA770/2GPLWE



EDA770/2GPLUG



EDA770/3GPLBL



EDA770/4GPLWE

| Cat.Nos | Grid & plates | UoM | Trade price \$ | GST \$ | Box qty | Carton qty |
|-------------------|---|-----|----------------|--------|---------|------------|
| Architrave | | | | | | |
| EDA770/1GPLWE | Architrave grid & plate 1 gang white | EA | \$4.49 | \$0.45 | 10 | 120 |
| EDA770/1GPLUG | Architrave grid & plate 1 gang urban grey | EA | \$7.61 | \$0.76 | 10 | 120 |
| EDA770/1GPLBL | Architrave grid & plate 1 gang black N | EA | \$4.49 | \$0.45 | 10 | 120 |
| EDA770/2GPLWE | Architrave grid & plate 2 gang white | EA | \$4.49 | \$0.45 | 10 | 120 |
| EDA770/2GPLUG | Architrave grid & plate 2 gang urban grey | EA | \$7.61 | \$0.76 | 10 | 120 |
| EDA770/2GPLBL | Architrave grid & plate 2 gang black N | EA | \$4.49 | \$0.45 | 10 | 120 |
| EDA770/3GPLWE | Architrave grid & plate 3 gang white | EA | \$11.23 | \$1.12 | 10 | 120 |
| EDA770/3GPLUG | Architrave grid & plate 3 gang urban grey | EA | \$14.36 | \$1.44 | 10 | 120 |
| EDA770/3GPLBL | Architrave grid & plate 3 gang black N | EA | \$11.23 | \$1.12 | 10 | 120 |
| EDA770/4GPLWE | Architrave grid & plate 4 gang white | EA | \$11.23 | \$1.12 | 10 | 120 |
| EDA770/4GPLUG | Architrave grid & plate 4 gang urban grey | EA | \$14.36 | \$1.44 | 10 | 120 |
| EDA770/4GPLBL | Architrave grid & plate 4 gang black N | EA | \$11.23 | \$1.12 | 10 | 120 |



New product



Energy Saving products



More info available.
See technical pages



Coming soon



Product to be discontinued

Excel Life – dedicated plate series

Coverplates



ED770/1PLIC



ED770/1PLDI



ED770/3PLBL



ED770/4PLWE



ED770/5PLMS



ED770/6PLUG

| Cat.Nos | Switch coverplates – 1 to 6 gang | UoM | Trade price \$ | GST \$ | Box qty | Carton qty |
|-------------|--|-----|----------------|--------|---------|------------|
| ED770/1PLWE | Coverplate 1 gang white | EA | \$3.26 | \$0.33 | 10 | 120 |
| ED770/1PLUG | Coverplate 1 gang urban grey | EA | \$6.38 | \$0.64 | 10 | 120 |
| ED770/1PLBL | Coverplate 1 gang black N | EA | \$3.26 | \$0.33 | 10 | 120 |
| ED770/1PLMS | Coverplate 1 gang matt silver | EA | \$6.25 | \$0.62 | 10 | 120 |
| ED770/1PLIC | Coverplate 1 gang ice | EA | \$12.90 | \$1.29 | 10 | 120 |
| ED770/1PLDI | Coverplate 1 gang diesel | EA | \$12.90 | \$1.29 | 10 | 120 |
| ED770/2PLWE | Coverplate 2 gang white | EA | \$3.26 | \$0.33 | 10 | 120 |
| ED770/2PLUG | Coverplate 2 gang urban grey | EA | \$6.38 | \$0.64 | 10 | 120 |
| ED770/2PLBL | Coverplate 2 gang black N | EA | \$3.26 | \$0.33 | 10 | 120 |
| ED770/2PLMS | Coverplate 2 gang matt silver | EA | \$6.25 | \$0.62 | 10 | 120 |
| ED770/2PLIC | Coverplate 2 gang ice | EA | \$12.90 | \$1.29 | 10 | 120 |
| ED770/2PLDI | Coverplate 2 gang diesel | EA | \$12.90 | \$1.29 | 10 | 120 |
| ED770/3PLWE | Coverplate 3 gang white | EA | \$3.26 | \$0.33 | 10 | 120 |
| ED770/3PLUG | Coverplate 3 gang urban grey | EA | \$6.38 | \$0.64 | 10 | 120 |
| ED770/3PLBL | Coverplate 3 gang black N | EA | \$3.26 | \$0.33 | 10 | 120 |
| ED770/3PLMS | Coverplate 3 gang matt silver | EA | \$6.25 | \$0.62 | 10 | 120 |
| ED770/3PLIC | Coverplate 3 gang ice | EA | \$12.90 | \$1.29 | 10 | 120 |
| ED770/3PLDI | Coverplate 3 gang diesel | EA | \$12.90 | \$1.29 | 10 | 120 |
| ED770/4PLWE | Coverplate 4 gang white | EA | \$3.26 | \$0.33 | 10 | 120 |
| ED770/4PLUG | Coverplate 4 gang urban grey | EA | \$6.38 | \$0.64 | 10 | 120 |
| ED770/4PLBL | Coverplate 4 gang black N | EA | \$3.26 | \$0.33 | 10 | 120 |
| ED770/4PLMS | Coverplate 4 gang matt silver | EA | \$6.25 | \$0.62 | 10 | 120 |
| ED770/4PLIC | Coverplate 4 gang ice | EA | \$12.90 | \$1.29 | 10 | 120 |
| ED770/4PLDI | Coverplate 4 gang diesel | EA | \$12.90 | \$1.29 | 10 | 120 |
| ED770/5PLWE | Coverplate 5 gang white | EA | \$3.26 | \$0.33 | 10 | 120 |
| ED770/5PLUG | Coverplate 5 gang urban grey | EA | \$6.38 | \$0.64 | 10 | 120 |
| ED770/5PLBL | Coverplate 5 gang black N | EA | \$3.26 | \$0.33 | 10 | 120 |
| ED770/5PLMS | Coverplate 5 gang matt silver | EA | \$6.25 | \$0.62 | 10 | 120 |
| ED770/5PLIC | Coverplate 5 gang ice | EA | \$12.90 | \$1.29 | 10 | 120 |
| ED770/5PLDI | Coverplate 5 gang diesel | EA | \$12.90 | \$1.29 | 10 | 120 |
| ED770/6PLWE | Coverplate 6 gang white | EA | \$3.26 | \$0.33 | 10 | 120 |
| ED770/6PLUG | Coverplate 6 gang urban grey | EA | \$6.38 | \$0.64 | 10 | 120 |
| ED770/6PLBL | Coverplate 6 gang black N | EA | \$3.26 | \$0.33 | 10 | 120 |
| ED770/6PLMS | Coverplate 6 gang matt silver | EA | \$6.25 | \$0.62 | 10 | 120 |
| ED770/6PLIC | Coverplate 6 gang ice | EA | \$12.90 | \$1.29 | 10 | 120 |
| ED770/6PLDI | Coverplate 6 gang diesel | EA | \$12.90 | \$1.29 | 10 | 120 |



New product



Energy Saving products



More info available.
See technical pages



Coming soon



Product to be discontinued

Whilst most items are stock lines some products are made to order. UoM = Unit Of Measure.
Prices are effective 1 June 2017 and are subject to change without notice. Trade prices exclude GST.

Excel Life – dedicated plate series

Coverplates



ED787PLMS



ED777PLWE



ED777XPLUG



ED777APLWE



EDV787PLWE



EDV787PLMS

| Cat.Nos | Powerpoint coverplates | UoM | Trade price \$ | GST \$ | Box qty | Carton qty |
|---|---|-----|----------------|--------|---------|------------|
| Horizontal powerpoints - single and double | | | | | | |
| ED787PLWE | Powerpoint coverplate 1 gang white | EA | \$3.26 | \$0.33 | 10 | 120 |
| ED787PLUG | Powerpoint coverplate 1 gang urban grey | EA | \$6.38 | \$0.64 | 10 | 120 |
| ED787PLBL | Powerpoint coverplate 1 gang black N | EA | \$3.26 | \$0.33 | 10 | 120 |
| ED787PLMS | Powerpoint coverplate 1 gang matt silver | EA | \$6.25 | \$0.62 | 10 | 120 |
| ED787PLIC | Powerpoint coverplate 1 gang ice | EA | \$12.90 | \$1.29 | 10 | 120 |
| ED787PLDI | Powerpoint coverplate 1 gang diesel | EA | \$12.90 | \$1.29 | 10 | 120 |
| ED777PLWE | Powerpoint coverplate 2 gang white | EA | \$3.26 | \$0.33 | 10 | 120 |
| ED777PLUG | Powerpoint coverplate 2 gang urban grey | EA | \$6.38 | \$0.64 | 10 | 120 |
| ED777PLBL | Powerpoint coverplate 2 gang black N | EA | \$3.26 | \$0.33 | 10 | 120 |
| ED777PLMS | Powerpoint coverplate 2 gang matt silver | EA | \$6.25 | \$0.62 | 10 | 120 |
| ED777PLIC | Powerpoint coverplate 2 gang ice | EA | \$12.90 | \$1.29 | 10 | 120 |
| ED777PLDI | Powerpoint coverplate 2 gang diesel | EA | \$12.90 | \$1.29 | 10 | 120 |
| ED777XPLWE | Powerpoint coverplate 2 gang with extra hole white | EA | \$3.26 | \$0.33 | 10 | 120 |
| ED777XPLUG | Powerpoint coverplate 2 gang with extra hole urban grey | EA | \$6.38 | \$0.64 | 10 | 120 |
| ED777XPLBL | Powerpoint coverplate 2 gang with extra hole black N | EA | \$3.26 | \$0.33 | 10 | 120 |
| ED777XPLMS | Powerpoint coverplate 2 gang with extra hole matt silver | EA | \$6.25 | \$0.62 | 10 | 120 |
| ED777XPLIC | Powerpoint coverplate 2 gang with extra hole ice | EA | \$12.90 | \$1.29 | 10 | 120 |
| ED777XPLDI | Powerpoint coverplate 2 gang with extra hole diesel | EA | \$12.90 | \$1.29 | 10 | 120 |
| ED777APLWE | Powerpoint coverplate 2 gang autoswitch white | EA | \$3.26 | \$0.33 | 10 | 120 |
| Vertical powerpoints - single and double | | | | | | |
| EDV787PLWE | Powerpoint coverplate 1 gang white | EA | \$3.26 | \$0.33 | 10 | 120 |
| EDV787PLUG | Powerpoint coverplate 1 gang urban grey | EA | \$6.38 | \$0.64 | 10 | 120 |
| EDV787PLBL | Powerpoint coverplate 1 gang black N | EA | \$3.26 | \$0.33 | 10 | 120 |
| EDV787PLMS | Powerpoint coverplate 1 gang matt silver | EA | \$6.25 | \$0.62 | 10 | 120 |
| EDV787PLIC | Powerpoint coverplate 1 gang ice | EA | \$12.90 | \$1.29 | 10 | 120 |
| EDV787PLDI | Powerpoint coverplate 1 gang diesel | EA | \$12.90 | \$1.29 | 10 | 120 |
| EDV777APLUG | Powerpoint coverplate 2 gang autoswitch urban grey | EA | \$6.38 | \$0.64 | 10 | 120 |
| EDV777APLWE | Powerpoint coverplate 2 gang autoswitch white | EA | \$3.26 | \$0.33 | 10 | 120 |
| EDV777PLWE | Powerpoint coverplate 2 gang white | EA | \$3.26 | \$0.33 | 10 | 120 |
| EDV777PLUG | Powerpoint coverplate 2 gang urban grey | EA | \$6.38 | \$0.64 | 10 | 120 |
| EDV777PLBL | Powerpoint coverplate 2 gang black N | EA | \$3.26 | \$0.33 | 10 | 120 |
| EDV777PLMS | Powerpoint coverplate 2 gang matt silver | EA | \$6.25 | \$0.62 | 10 | 120 |
| EDV777PLIC | Powerpoint coverplate 2 gang ice | EA | \$12.90 | \$1.29 | 10 | 120 |



New product



Energy Saving products



More info available. See technical pages



Coming soon



Product to be discontinued

Excel Life – dedicated plate series

Coverplates



EDV777XPLMS



EDV777XPLDI



ED920PLWE



ED920PLBL



EDCWPLWE

| Cat.Nos | | UoM | Trade price \$ | GST \$ | Box qty | Carton qty |
|---|---|-----|----------------|--------|---------|------------|
| Powerpoint coverplates | | | | | | |
| Vertical powerpoints - double and extra hole | | | | | | |
| EDV777PLDI | Powerpoint coverplate 2 gang diesel | EA | \$12.90 | \$1.29 | 10 | 120 |
| EDV777XPLWE | Powerpoint coverplate 2 gang with extra hole white | EA | \$3.26 | \$0.33 | 10 | 120 |
| EDV777XPLUG | Powerpoint coverplate 2 gang with extra hole urban grey | EA | \$6.38 | \$0.64 | 10 | 120 |
| EDV777XPLBL | Powerpoint coverplate 2 gang with extra hole black N | EA | \$3.26 | \$0.33 | 10 | 120 |
| EDV777XPLMS | Powerpoint coverplate 2 gang with extra hole matt silver | EA | \$6.25 | \$0.62 | 10 | 120 |
| EDV777XPLIC | Powerpoint coverplate 2 gang with extra hole ice | EA | \$12.90 | \$1.29 | 10 | 120 |
| EDV777XPLDI | Powerpoint coverplate 2 gang with extra hole diesel | EA | \$12.90 | \$1.29 | 10 | 120 |
| Coverplates for Arteor mechanisms | | | | | | |
| ED920PLWE | Coverplate for 2 x 22.5x45mm modules white | EA | \$3.26 | \$0.33 | 10 | 120 |
| ED920PLUG | Coverplate for 2 x 22.5x45mm modules urban grey | EA | \$6.38 | \$0.64 | 10 | 120 |
| ED920PLBL | Coverplate for 2 x 22.5x45mm modules black N | EA | \$3.26 | \$0.33 | 10 | 120 |
| ED920PLMS | Coverplate for 2 x 22.5x45mm modules matt silver | EA | \$6.25 | \$0.62 | 10 | 120 |
| ED920PLIC | Coverplate for 2 x 22.5x45mm modules ice | EA | \$12.90 | \$1.29 | 10 | 120 |
| Coverplates for 25x57mm Excel Life inserts | | | | | | |
| EDCWPLWE | Coverplate for 3x 25x57mm or 1 x 25x57mm + 1x 50x57mm inserts white | EA | \$3.26 | \$0.33 | 10 | 120 |
| EDCWPLUG | Coverplate for 3x 25x57mm or 1 x 25x57mm + 1x 50x57mm inserts urban grey | EA | \$6.38 | \$0.64 | 10 | 120 |
| EDCWPLBL | Coverplate for 3x 25x57mm or 1 x 25x57mm + 1x 50x57mm inserts black N | EA | \$3.26 | \$0.33 | 10 | 120 |
| EDCWPLMS | Coverplate for 3x 25x57mm or 1 x 25x57mm + 1x 50x57mm inserts matt silver | EA | \$6.25 | \$0.62 | 10 | 120 |
| EDCWPLDI | Coverplate for 3x 25x57mm or 1 x 25x57mm + 1x 50x57mm inserts diesel | EA | \$12.90 | \$1.29 | 10 | 120 |
| EDCWPLIC | Coverplate for 3x 25x57mm or 1 x 25x57mm + 1x 50x57mm inserts ice | EA | \$12.90 | \$1.29 | 10 | 120 |



New product



Energy Saving products



More info available.
See technical pages



Coming soon



Product to be discontinued

Whilst most items are stock lines some products are made to order. UoM = Unit Of Measure.
Prices are effective 1 June 2017 and are subject to change without notice. Trade prices exclude GST.

Excel Life – common plate series

Switches & data, audio and video sockets



EC770/1WE



EC770/3WE



EC770/40DPCTPWE



EC770/1HIPWE



EC770/2HIPWE



EC920VGAWE

| Cat.Nos | | UoM | Trade price \$ | GST \$ | Box qty | Carton qty |
|-----------------|--|-----|----------------|--------|---------|------------|
| | Vertical switches | | | | | |
| | Rocker switches - Single Pole Double Throw (SPDT) | | | | | |
| EC770/1WE | Switch 1 gang 16AX 240V a.c. white | EA | \$8.53 | \$0.85 | 10 | 120 |
| EC770/2WE | Switch 2 gang 16AX 240V a.c. white | EA | \$13.77 | \$1.38 | 10 | 120 |
| EC770/3WE | Switch 3 gang 16AX 240V a.c. white | EA | \$26.15 | \$2.62 | 10 | 120 |
| EC770/4WE | Switch 4 gang 16AX 240V a.c. white | EA | \$40.78 | \$4.08 | 10 | 120 |
| EC770/5WE | Switch 5 gang 16AX 240V a.c. white | EA | \$57.61 | \$5.76 | 10 | 120 |
| EC770/6WE | Switch 6 gang 16AX 240V a.c. white | EA | \$67.78 | \$6.78 | 10 | 120 |
| EC770/40WE | Switch 1 gang 40A 240V a.c. white | EA | \$24.69 | \$2.47 | 10 | 120 |
| EC770/40DPWE | Switch 1 gang double pole 40A 240V a.c. white | EA | \$36.08 | \$3.61 | 10 | 120 |
| EC770/40DPCTPWE | Switch 1 gang double pole 40A 240V a.c. "Cooktop" engraved white | EA | \$40.73 | \$4.07 | 10 | 120 |
| | Weatherproof IP66 rocker switches- Single Pole Double Throw (SPDT) | | | | | |
| EC770/1HIPWE | Switch 1 gang IP66 16AX 240V a.c. white | EA | \$29.91 | \$2.99 | 6 | 72 |
| EC770/2HIPWE | Switch 2 gang IP66 16AX 240V a.c. white | EA | \$40.82 | \$4.08 | 6 | 72 |
| | Horizontal switches | | | | | |
| | Weatherproof IP66 rocker switches - Single Pole Double Throw (SPDT) | | | | | |
| EC770/1HIPWE | Switch 1 gang IP66 16AX 240V a.c. white | EA | \$29.91 | \$2.99 | 6 | 72 |
| EC770/2HIPWE | Switch 2 gang IP66 16AX 240V a.c. white | EA | \$40.82 | \$4.08 | 6 | 72 |
| | Data, audio & video sockets | | | | | |
| | Audio outlets | | | | | |
| EC910J35WE | Audio outlet female 3.5mm white | EA | \$36.14 | \$3.61 | 6 | 72 |
| | HDMI outlets | | | | | |
| EC920HDMIWE | HDMI socket white | EA | \$44.01 | \$4.40 | 4 | 48 |
| | Speaker outlets | | | | | |
| EC920LJWE | Loudspeaker outlet white | EA | \$36.14 | \$3.61 | 8 | 96 |
| | S-video outlets | | | | | |
| EC920MSVIDWE | Video outlet S-video white | EA | \$31.33 | \$3.13 | 10 | 120 |
| | USB dual charger outlets | | | | | |
| EC920USB2WE | Dual USB charger 1.5A white | EA | \$51.10 | \$5.11 | 3 | 36 |
| | USB outlets | | | | | |
| ECUSBWE | USB outlet Type A white | EA | \$40.30 | \$4.03 | 6 | 72 |
| | VGA outlets | | | | | |
| EC920VGAWE | VGA outlet white | EA | \$45.78 | \$4.58 | 10 | 120 |



New product



Energy Saving products



More info available.
See technical pages



Coming soon



Product to be discontinued

Excel Life – common plate series

Switches



EC924WE



EC914WE



EC510WE



EC919WE



EC923TWE



EC571WE

| Cat.Nos | Electronic devices | UoM | Trade price \$ | GST \$ | Box qty | Carton qty |
|----------|--|-----|----------------|---------|---------|------------|
| | Buzzer | | | | | |
| EC917WE | Buzzer 1 gang 240V a.c. 80dB at 1m white | EA | \$34.68 | \$3.47 | 10 | 120 |
| | Bell | | | | | |
| EC918WE | Bell electronic 1 gang 12-48V a.c. 80dB at 1m white | EA | \$132.55 | \$13.26 | 6 | 72 |
| | Call indicator | | | | | |
| EC924WE | Corridor call indicator 1 gang 6A 240V a.c. white | EA | \$79.52 | \$7.95 | 6 | 72 |
| EC925WE | Guest room call control 2 gang 6A 240V a.c. white | EA | \$45.78 | \$4.58 | 8 | 96 |
| | Emergency stop | | | | | |
| EC915WE | Switch 1/4 turn 1 gang 3AX 240V a.c. white | EA | \$28.92 | \$2.89 | 4 | 48 |
| | No contact switches | | | | | |
| EC914WE | No touch switch 1 gang 4A 240V a.c. white | EA | \$170.12 | \$17.01 | 6 | 72 |
| | Sensor lights | | | | | |
| EC510WE | Skirting light permanent ON 0.2-1W 240V a.c. white | EA | \$55.43 | \$5.54 | 6 | 72 |
| EC511WE | Skirting light with PIR sensor 1.3W 240V a.c. white | EA | \$265.07 | \$26.51 | 4 | 48 |
| | Roller blinds control switches | | | | | |
| EC919WE | Roller blind switch push button 1 gang via relay 6A 240V a.c. white | EA | \$45.78 | \$4.58 | 8 | 96 |
| EC920WE | Roller blind switch push button 1 gang direct control 240V a.c. white | EA | \$45.78 | \$4.58 | 8 | 96 |
| | Thermostat switches | | | | | |
| EC921WE | Thermostat rotary 1 gang 5-30°C 16A 240V a.c. white | EA | \$170.88 | \$17.09 | 10 | 120 |
| | Time delay switches | | | | | |
| EC923TWE | Timer 8 weekly programs 1 gang 10A 240V a.c. 20hr reserve white LCD screen | EA | \$110.97 | \$11.10 | 6 | 72 |
| | Signal & bulkhead lights | | | | | |
| EC520WE | Signal light white LED 1W 240V a.c. white | EA | \$45.78 | \$4.58 | 6 | 72 |
| EC521WE | Signal light blue LED 1W 240V a.c. white | EA | \$36.14 | \$3.61 | 6 | 72 |
| EC524WE | Signal light red/green LED 1W 240V a.c. white | EA | \$40.97 | \$4.10 | 6 | 72 |
| EC570WE | Bulkhead light red LED 240V a.c. white | EA | \$40.97 | \$4.10 | 4 | 48 |
| EC571WE | Bulkhead light white LED 240V a.c. white | EA | \$40.97 | \$4.10 | 4 | 48 |
| EC572WE | Bulkhead light green LED 240V a.c. white | EA | \$40.97 | \$4.10 | 4 | 48 |
| EC573WE | Bulkhead light blue LED 240V a.c. white | EA | \$40.97 | \$4.10 | 4 | 48 |



New product



Energy Saving products



More info available. See technical pages



Coming soon



Product to be discontinued

Whilst most items are stock lines some products are made to order. UoM = Unit Of Measure. Prices are effective 1 June 2017 and are subject to change without notice. Trade prices exclude GST.

Excel Life – common plate series

Switches & Wireless Charging






EC20A/4KTWE



ECKFSWE



ECEL10N2WE

| Cat.Nos | | UoM | Trade price \$ | GST \$ | Box qty | Carton qty |
|---|--|-----|----------------|---------|---------|------------|
| Hospitality | | | | | | |
| Keycard switches | | | | | | |
| EC20A/4KTWE | Keycard switch 1 gang 4 x 20A 240V a.c. 85x54mm cards white | EA | \$173.13 | \$17.31 | 5 | 60 |
| Keyfob switches | | | | | | |
| ECKFSWE | Key fob switch 30s time delay 1 gang 240V a.c. white | EA | \$83.63 | \$8.36 | 4 | 48 |
| RCD protected switches | | | | | | |
| ECEL10N2WE | Switch 1 gang RCD 10mA 20A 240V a.c. white | EA | \$208.35 | \$20.84 | 4 | - |
| Wireless Charging - Induction | | | | | | |
| Wall mount wireless charging station Type A USB port | | | | | | |
| EDWCWEMS | Wireless charger 1A with Type A USB port 2.4A silver  | EA | \$92.90 | \$9.30 | 1 | 10 |
| Tamper-proof outdoor wireless charger | | | | | | |
| 077599 | Wireless charger 1A IK08-IP66 (80051 to be used for mounting)  | EA | \$112.90 | \$11.30 | 1 | 10 |
| Table top mount wireless charger pad | | | | | | |
| 077580 | Wireless charging pad 1A IK04-IP4 80mm cut-out (supplied with 2.5mm micro USB/USB cord for supply)  | EA | \$57.00 | \$5.70 | 1 | 10 |



New product



Energy Saving products



More info available.
See technical pages



Coming soon



Product to be discontinued

Excel Life – common plate series

Powerpoints



EC787WE



EC787/2XWE



EC787/15WE



EC777WE

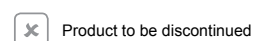
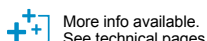
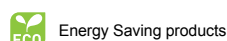
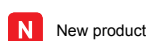


EC777/15WE



EC777USB2IWE

| Cat.Nos | Horizontal powerpoints | UoM | Trade price \$ | GST \$ | Box qty | Carton qty |
|--|--|-----|----------------|--------|---------|------------|
| Single powerpoints | | | | | | |
| EC787WE | Powerpoint 1 gang 10A 240V a.c. white | EA | \$11.33 | \$1.13 | 10 | 120 |
| EC787XWE | Powerpoint 1 gang 10A 240V a.c. with extra hole white | EA | \$21.48 | \$2.15 | 10 | 120 |
| EC787/2XWE | Powerpoint 1 gang 10A 240V a.c. with 2 extra holes white | EA | \$24.41 | \$2.44 | 10 | 120 |
| EC787AWE | Powerpoint 1 gang 10A 240V a.c. autoswitch white | EA | \$12.39 | \$1.24 | 10 | 120 |
| EC787RWE | Powerpoint 1 gang 10A 240V a.c. with round earth white | EA | \$51.64 | \$5.16 | 10 | 120 |
| EC787ARWE | Powerpoint 1 gang 10A 240V a.c. autoswitch with round earth white | EA | \$49.66 | \$4.97 | 10 | 120 |
| EC787DPWE | Powerpoint 1 gang double pole 10A 240V a.c. white | EA | \$32.02 | \$3.20 | 10 | 120 |
| EC787/15WE | Powerpoint 1 gang 15A 240V a.c. white | EA | \$22.75 | \$2.28 | 10 | 120 |
| EC787/15XWE | Powerpoint 1 gang 15A 240V a.c. with extra hole white | EA | \$28.38 | \$2.84 | 10 | 120 |
| EC787A/15WE | Powerpoint 1 gang 15A 240V a.c. autoswitch white | EA | \$25.70 | \$2.57 | 10 | 120 |
| EC787/15DPWE | Powerpoint 1 gang double pole 15A 240V a.c. white | EA | \$56.32 | \$5.63 | 10 | 120 |
| EC787/20WE | Powerpoint 1 gang 20A 240V a.c. white | EA | \$32.68 | \$3.27 | 10 | 120 |
| EC787/25WE | Powerpoint 1 gang 25A 240V a.c. white | EA | \$46.41 | \$4.64 | 10 | 120 |
| EC787U/32WE | Powerpoint 1 gang 32A 240V a.c. unswitched white N | EA | \$51.95 | \$5.20 | 10 | 120 |
| Double powerpoints | | | | | | |
| EC777WE | Powerpoint 2 gang 10A 240V a.c. white | EA | \$17.46 | \$1.75 | 10 | 120 |
| EC777XWE | Powerpoint 2 gang 10A 240V a.c. with extra hole white | EA | \$34.38 | \$3.44 | 10 | 120 |
| EC777AWE | Powerpoint 2 gang 10A 240V a.c. autoswitch white | EA | \$18.95 | \$1.90 | 10 | 120 |
| EC777RWE | Powerpoint 2 gang 10A 240V a.c. with round earth white | EA | \$69.48 | \$6.95 | 10 | 120 |
| EC777DPWE | Powerpoint 2 gang double pole 10A 240V a.c. white | EA | \$49.23 | \$4.92 | 10 | 120 |
| EC777/15WE | Powerpoint 2 gang 15A 240V a.c. white | EA | \$69.37 | \$6.94 | 10 | 120 |
| EC777/15XWE | Powerpoint 2 gang 15A 240V a.c. with extra hole white | EA | \$61.91 | \$6.19 | 10 | 120 |
| EC777/15DPWE | Powerpoint 2 gang double pole 15A 240V a.c. with 2 extra holes white | EA | \$90.89 | \$9.09 | 10 | 120 |
| Double powerpoint with integrated USB charger for wall boxes and brick wall installations - Dual type A | | | | | | |
| EC777USB2IWE | Powerpoint 2 gang 10A 240V a.c. with integrated USB charger 2.4A white N | EA | \$65.58 | \$6.56 | 6 | - |



Whilst most items are stock lines some products are made to order. UoM = Unit Of Measure. Prices are effective 1 June 2017 and are subject to change without notice. Trade prices exclude GST.

Excel Life – common plate series

Powerpoints



ECV787WE



ECV787XWE



ECV787/2XWE

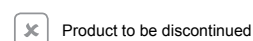
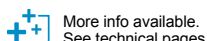
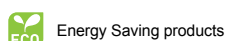
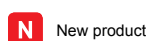


ECV777WE



EC798WE

| Cat.Nos | Vertical powerpoints | UoM | Trade price \$ | GST \$ | Box qty | Carton qty |
|---------------------------|---|-----|----------------|---------|---------|------------|
| Single powerpoints | | | | | | |
| ECV787WE | Powerpoint 1 gang 10A 240V a.c. white | EA | \$19.22 | \$1.92 | 10 | 120 |
| ECV787XWE | Powerpoint 1 gang 10A 240V a.c. with extra hole white | EA | \$37.53 | \$3.75 | 10 | 120 |
| ECV787/2XWE | Powerpoint 1 gang 10A 240V a.c. with 2 extra holes white | EA | \$45.26 | \$4.53 | 10 | 120 |
| ECV787RWE | Powerpoint 1 gang 10A 240V a.c. with round earth white | EA | \$62.06 | \$6.21 | 10 | 120 |
| ECV787ARWE | Powerpoint 1 gang 10A 240V a.c. autoswitch with round earth white | EA | \$62.06 | \$6.21 | 10 | 120 |
| ECV787/15WE | Powerpoint 1 gang 15A 240V a.c. white | EA | \$39.86 | \$3.99 | 10 | 120 |
| ECV787A/15WE | Powerpoint 1 gang 15A 240V a.c. autoswitch white | EA | \$39.86 | \$3.99 | 10 | 120 |
| Double powerpoints | | | | | | |
| ECV777WE | Powerpoint 2 gang 10A 240V a.c. white | EA | \$30.76 | \$3.08 | 10 | 120 |
| ECV777XWE | Powerpoint 2 gang 10A 240V a.c. with extra hole white | EA | \$57.10 | \$5.71 | 10 | 120 |
| ECV777AWE | Powerpoint 2 gang 10A 240V a.c. autoswitch white | EA | \$30.76 | \$3.08 | 10 | 120 |
| Shaver outlets | | | | | | |
| EC798WE | Shaver outlet 10A 115/240V a.c. white | EA | \$179.70 | \$17.97 | 2 | 16 |



Excel Life – common plate series

Grids & plates



ECFRAME



EC770/1GPLWE



EC770/2GPLWE



EC770/0GPLWE



EC920GPLWE



ECCWGPLWE

| Cat.Nos | Grids | UoM | Trade price \$ | GST \$ | Box qty | Carton qty |
|---------------------------------|--|-----|----------------|--------|---------|------------|
| Mounting frame | | | | | | |
| ECFRAME | Grid for 3x 25x57mm or 1x 25x57mm + 1x 50x27mm inserts white | EA | \$1.77 | \$0.18 | 10 | 120 |
| Grid & plates | | | | | | |
| For EM series mechanisms | | | | | | |
| EC770/1GPLWE | Switch grid & plate 1 gang white | EA | \$4.49 | \$0.45 | 10 | 120 |
| EC770/2GPLWE | Switch grid & plate 2 gang white | EA | \$4.49 | \$0.45 | 10 | 120 |
| EC770/3GPLWE | Switch grid & plate 3 gang white | EA | \$4.49 | \$0.45 | 10 | 120 |
| EC770/4GPLWE | Switch grid & plate 4 gang white | EA | \$7.85 | \$0.78 | 10 | 120 |
| EC770/5GPLWE | Switch grid & plate 5 gang white | EA | \$7.85 | \$0.78 | 10 | 120 |
| EC770/6GPLWE | Switch grid & plate 6 gang white | EA | \$7.85 | \$0.78 | 10 | 120 |
| EC770/0GPLWE | Switch grid & plate blank white | EA | \$4.49 | \$0.45 | 10 | 120 |
| For inserts | | | | | | |
| EC910GPLWE | Grid & plate for 1x 57x25mm insert white | EA | \$4.80 | \$0.48 | 10 | 120 |
| EC920GPLWE | Grid & plate for 1x 45x45mm or 2x 22.5x45mm inserts white | EA | \$4.49 | \$0.45 | 10 | 120 |
| Deep mounting block | | | | | | |
| ECCWGPLWE | Deep mounting block & coverplate plastic white | EA | \$6.77 | \$0.68 | 10 | 120 |



New product



Energy Saving products



More info available.
See technical pages



Coming soon



Product to be discontinued

Whilst most items are stock lines some products are made to order. UoM = Unit Of Measure.
Prices are effective 1 June 2017 and are subject to change without notice. Trade prices exclude GST.

Excel Life – common plate series

Coverplates



ECCWPLWE



ECCW2WPLWE



ECCW3WPLWE



ECCW2HPLWE



ECCW3HPLWE



ECCW4HPLWE

| Cat.Nos | | UoM | Trade price \$ | GST \$ | Box qty | Carton qty |
|---------------------------------------|--|-----|----------------|--------|---------|------------|
| Horizontal outlets coverplates | | | | | | |
| ECCWPLWE | Coverplate 1 horizontal outlet white | EA | \$3.26 | \$0.33 | 10 | 120 |
| ECCW2WPLWE | Coverplate 2 horizontal outlets multipanel white | EA | \$7.23 | \$0.72 | 10 | 120 |
| ECCW3WPLWE | Coverplate 3 horizontal outlets multipanel white | EA | \$10.78 | \$1.08 | 10 | 120 |
| Vertical outlets coverplates | | | | | | |
| ECCW2HPLWE | Coverplate 2 vertical outlets multipanel white | EA | \$7.23 | \$0.72 | 10 | - |
| ECCW3HPLWE | Coverplate 3 vertical outlets multipanel white | EA | \$10.78 | \$1.08 | 10 | - |
| ECCW4HPLWE | Coverplate 4 vertical outlets multipanel white | EA | \$15.73 | \$1.57 | 10 | - |

Excel Life – secure plate series

Powerpoints, grid & plates, coverplates



ES777WE



ES770/1GPLWE



ES770/2GPLWE



ES770/3GPLWE



ESCWPLWE



ESCWPLWE
locking screw

| Cat.Nos | | UoM | Trade price \$ | GST \$ | Box qty | Carton qty |
|-------------------------------|--|-----|----------------|--------|---------|------------|
| Horizontal powerpoints | | | | | | |
| Single powerpoints | | | | | | |
| ES787WE | Powerpoint 1 gang 10A 240V a.c. secure plate white | EA | \$12.39 | \$1.24 | 10 | 120 |
| Double powerpoints | | | | | | |
| ES777WE | Powerpoint 2 gang 10A 240V a.c. secure plate white | EA | \$19.84 | \$1.98 | 10 | 120 |
| Grid & plates | | | | | | |
| ES770/1GPLWE | Grid & plate 1 gang white | EA | \$4.49 | \$0.45 | 10 | 120 |
| ES770/2GPLWE | Grid & plate 2 gang white | EA | \$4.49 | \$0.45 | 10 | 120 |
| ES770/3GPLWE | Grid & plate 3 gang white | EA | \$4.49 | \$0.45 | 10 | 120 |
| ES770/4GPLWE | Grid & plate 4 gang white | EA | \$7.85 | \$0.78 | 10 | 120 |
| ES770/5GPLWE | Grid & plate 5 gang white | EA | \$7.85 | \$0.78 | 10 | 120 |
| ES770/6GPLWE | Grid & plate 6 gang white | EA | \$7.85 | \$0.78 | 10 | 120 |
| ES770/0GPLWE | Grid & plate blank white | EA | \$4.49 | \$0.45 | 10 | 120 |
| Coverplates | | | | | | |
| ESCWPLWE | Coverplate secure series white | EA | \$4.16 | \$0.42 | 10 | 120 |



New product



Energy Saving products



More info available.
See technical pages



Coming soon



Product to be discontinued

Whilst most items are stock lines some products are made to order. UoM = Unit Of Measure.
Prices are effective 1 June 2017 and are subject to change without notice. Trade prices exclude GST.

Excel Life

EM series mechanisms



EM770WE



EM770IMWE



EM770DUOWE



EM883WE



EM800SLAVEWE



EMELVWE

| Cat.Nos | Switch mechanisms | | UoM | Trade price \$ | GST \$ | Box qty | Carton qty |
|---------------------------------|---|--|-----|----------------|--------|---------|------------|
| Rocker switch mechanisms | | | | | | | |
| EM770WE | Switch mech. 2 way 16AX 240V a.c. white | | EA | \$7.31 | \$0.73 | 10 | 120 |
| EM770UG | Switch mech. 2 way 16AX 240V a.c. urban grey | | EA | \$10.43 | \$1.04 | 10 | 120 |
| EM770BL | Switch mech. 2 way 16AX 240V a.c. black | | EA | \$7.31 | \$0.73 | 10 | 120 |
| EM770IMWE | Switch mech. intermediate 2 way 16A 240V a.c. white | | EA | \$37.29 | \$3.73 | 10 | 120 |
| EM770IMUG | Switch mech. intermediate 2 way 16A 240V a.c. urban grey | | EA | \$40.41 | \$4.04 | 10 | 120 |
| EM770IMBL | Switch mech. intermediate 2 way 16A 240V a.c. black | | EA | \$37.29 | \$3.73 | 10 | 120 |
| EM770IMLEDWE | Switch mech. intermediate 2 way 16A 240V a.c. with LED white | | EA | \$41.05 | \$4.10 | 10 | 120 |
| EM770DUOWE | Switch mech. 1 way duo 16A 10AX 240V a.c. white | | EA | \$18.23 | \$1.82 | 10 | 120 |
| EM770DUOUG | Switch mech. 1 way duo 16A 10AX 240V a.c. urban grey | | EA | \$21.35 | \$2.14 | 10 | 120 |
| EM770RDWE | Switch mech. 2 way 16A 16AX 240V a.c. with red dot white | | EA | \$9.88 | \$0.99 | 10 | 120 |
| EM770RDUG | Switch mech. 2 way 16A 16AX 240V a.c. with red dot urban grey | | EA | \$13.00 | \$1.30 | 10 | 120 |
| EM770/20WE | Switch mech. 2 way 20A 20AX 240V a.c. white | | EA | \$19.47 | \$1.95 | 10 | 120 |
| EM770/20UG | Switch mech. 2 way 20A 20AX 240V a.c. urban grey | | EA | \$22.59 | \$2.26 | 10 | 120 |
| EM770/20BL | Switch mech. 2 way 20A 20AX 240V a.c. black | | EA | \$19.47 | \$1.95 | 10 | 120 |
| EM770/20RDWE | Switch mech. 2 way 20A 20AX 240V a.c. with red dot white | | EA | \$22.03 | \$2.20 | 10 | 120 |
| EM770/20RDUG | Switch mech. 2 way 20A 20AX 240V a.c. with red dot urban grey | | EA | \$25.15 | \$2.52 | 10 | 120 |
| EM770/25WE | Switch mech. 1 way 25A 20AX 240V a.c. white | | EA | \$19.95 | \$2.00 | 10 | 120 |
| EM770/25UG | Switch mech. 1 way 25A 20AX 240V a.c. urban grey | | EA | \$23.07 | \$2.31 | 10 | 120 |
| EM770/32WE | Switch mech. 1 way 32A 20AX 240V a.c. white | | EA | \$20.33 | \$2.03 | 10 | 120 |
| EM770/32UG | Switch mech. 1 way 32A 20AX 240V a.c. urban grey | | EA | \$23.45 | \$2.34 | 10 | 120 |
| EM770/32BL | Switch mech. 1 way 32A 20AX 240V a.c. black | | EA | \$20.33 | \$2.03 | 10 | 120 |
| Push-button mechanisms | | | | | | | |
| EM883WE | Push-button 5A 240V a.c. white | | EA | \$49.32 | \$4.93 | 10 | 120 |
| EM883UG | Push-button 5A 240V a.c. urban grey | | EA | \$52.45 | \$5.24 | 10 | 120 |
| EM883BL | Push-button 5A 240V a.c. black | | EA | \$49.32 | \$4.93 | 10 | 120 |
| EM800SLAVEWE | Push-button secondary 5A 240V a.c. white | | EA | \$33.72 | \$3.37 | 10 | 120 |
| EM800SLAVEUG | Push-button secondary 5A 240V a.c. urban grey | | EA | \$36.84 | \$3.68 | 10 | 120 |
| EM800SLAVEBL | Push-button secondary 5A 240V a.c. black | | EA | \$33.72 | \$3.37 | 10 | 120 |
| EMELVWE | Push-button 50mA 12V d.c. white | | EA | \$31.97 | \$3.20 | 10 | 120 |
| EMELVUG | Push-button 50mA 12V d.c. urban grey | | EA | \$35.09 | \$3.51 | 10 | 120 |
| EMELVNWE | Push-button 50mA 12V d.c. with LED white | | EA | \$34.34 | \$3.43 | 10 | 120 |
| EMELVNUG | Push-button 50mA 12V d.c. with LED urban grey | | EA | \$36.53 | \$3.65 | 10 | 120 |



New product



Energy Saving products

More info available.
See technical pages

Coming soon



Product to be discontinued

Excel Life

EM series mechanisms



EMRSWE



EM770XUG



EM770XBL



EM770AUTOMANWE



EM770BED1UG

| Cat.Nos | Switch mechanisms | UoM | Trade price \$ | GST \$ | Box qty | Carton qty |
|--|--|-----|----------------|--------|---------|------------|
| Rotary switch mechanisms | | | | | | |
| EMRSWE | Rotary 16A 240V a.c. with 6 marking plates options white | EA | \$11.89 | \$1.19 | 10 | 120 |
| EMRSUG | Rotary 16A 240V a.c. with 6 marking plates options urban grey | EA | \$15.01 | \$1.50 | 10 | 120 |
| EMRSBL | Rotary 16A 240V a.c. with 6 marking plate options black | EA | \$11.89 | \$1.19 | 10 | 120 |
| Spring return switch mechanisms | | | | | | |
| EM770XWE | Switch mech. spring return 2 way 16A 240V a.c. white | EA | \$8.09 | \$0.81 | 10 | 120 |
| EM770XUG | Switch mech. spring return 2 way 16A 240V a.c. urban grey | EA | \$11.21 | \$1.12 | 10 | 120 |
| EM770XBL | Switch mech. spring return 2 way 16A 240V a.c. black | EA | \$8.09 | \$0.81 | 10 | 120 |
| EM770XDOORWE | Switch mech. spring return 2 way 16A 240V a.c. "DOOR" engraved white | EA | \$12.72 | \$1.27 | 10 | 120 |
| EM770XDOORUG | Switch mech. spring return 2 way 16A 240V a.c. "DOOR" engraved urban grey | EA | \$15.84 | \$1.58 | 10 | 120 |
| EM770XDOORB | Switch mech. Spring return 2 way 16A 240V a.c. "DOOR" engraved black | EA | \$12.72 | \$1.27 | 10 | 120 |
| EM770XPRESSWE | Switch mech. spring return 2 way 16A 240V a.c. "PRESS" engraved white | EA | \$12.72 | \$1.27 | 10 | 120 |
| EM770XPRESSUG | Switch mech. spring return 2 way 16A 240V a.c. "PRESS" engraved urban grey | EA | \$15.84 | \$1.58 | 10 | 120 |
| EM770XPRESSBL | Switch mech. Spring return 2 way 16A 240V a.c. "PRESS" engraved black | EA | \$12.72 | \$1.27 | 10 | 120 |
| EM770XRESETWE | Switch mech. spring return 2 way 16A 240V a.c. "RESET" engraved white | EA | \$12.72 | \$1.27 | 10 | 120 |
| EM770XRESETUG | Switch mech. spring return 2 way 16A 240V a.c. "RESET" engraved urban grey | EA | \$15.84 | \$1.58 | 10 | 120 |
| Double-pole switch mechanisms | | | | | | |
| EM770DPWE | Switch mech. 1 way double-pole 16A 10AX 240V a.c. white | EA | \$26.13 | \$2.61 | 10 | 120 |
| EM770DPUG | Switch mech. 1 way double-pole 16A 10AX 240V a.c. urban grey | EA | \$29.25 | \$2.92 | 10 | 120 |
| EM770DPBL | Switch mech. 1 way double-pole 16A 10AX 240V a.c. black | EA | \$26.13 | \$2.61 | 10 | 120 |
| EM770DPRDWE | Switch mech. 1 way double-pole 16A 10AX 240V a.c. with red dot white | EA | \$29.20 | \$2.92 | 10 | 120 |
| EM770DPRDUG | Switch mech. 1 way double-pole 16A 10AX 240V a.c. with red dot urban grey | EA | \$32.32 | \$3.23 | 10 | 120 |
| EM770/20DPWE | Switch mech. 1 way double-pole 20A 10AX 240V a.c. white | EA | \$42.62 | \$4.26 | 10 | 120 |
| EM770/20DPUG | Switch mech. 1 way double-pole 20A 10AX 240V a.c. urban grey | EA | \$45.74 | \$4.57 | 10 | 120 |
| EM770/20DPENGWE | Switch mech. 1 way double-pole 20A 10AX 240V a.c. engraved white | EA | \$43.73 | \$4.37 | 10 | 120 |
| EM770/20DPENGUG | Switch mech. 1 way double-pole 20A 10AX 240V a.c. engraved urban grey | EA | \$46.36 | \$4.64 | 10 | 120 |



New product



Energy Saving products



More info available. See technical pages



Coming soon



Product to be discontinued

Whilst most items are stock lines some products are made to order. UoM = Unit Of Measure. Prices are effective 1 June 2017 and are subject to change without notice. Trade prices exclude GST.

Excel Life

EM series mechanisms



EM770BED1WE



EM770AIRCONWE



EM770BYPASSWE



EM770DAYNIGHTWE

| Cat.Nos | Switch mechanisms | UoM | Trade price \$ | GST \$ | Box qty | Carton qty |
|-----------------------------------|---|-----|----------------|--------|---------|------------|
| Engraved rocker mechanisms | | | | | | |
| EM770AIRCONWE | Switch mech. 2 way 16AX 240V a.c. "AIR CON" engraved white | EA | \$11.96 | \$1.20 | 10 | 120 |
| EM770AIRCONUG | Switch mech. 2 way 16AX 240V a.c. "AIR CON" engraved urban grey | EA | \$15.08 | \$1.51 | 10 | 120 |
| EM770AIRCONBL | Switch mech. 2 way 16AX 240V a.c. "AIR CON" engraved black | N | \$11.96 | \$1.20 | 10 | 120 |
| EM770AUTOMANWE | Switch mech. 2 way 16AX 240V a.c. "AUTO/MAN" engraved white | EA | \$11.96 | \$1.20 | 10 | 120 |
| EM770AUTOMANUG | Switch mech. 2 way 16AX 240V a.c. "AUTO/MAN" engraved urban grey | EA | \$15.08 | \$1.51 | 10 | 120 |
| EM770AUTOMANBL | Switch mech. 2 way 16AX 240V a.c. "AUTO/MAN" engraved black | N | \$11.96 | \$1.20 | 10 | 120 |
| EM770BED1WE | Switch mech. 2 way 16AX 240V a.c. "BED1" engraved white | EA | \$11.96 | \$1.20 | 10 | 120 |
| EM770BED1UG | Switch mech. 2 way 16AX 240V a.c. "BED1" engraved urban grey | EA | \$15.08 | \$1.51 | 10 | 120 |
| EM770BED2WE | Switch mech. 2 way 16AX 240V a.c. "BED2" engraved white | EA | \$11.96 | \$1.20 | 10 | 120 |
| EM770BED2UG | Switch mech. 2 way 16AX 240V a.c. "BED2" engraved urban grey | EA | \$15.08 | \$1.51 | 10 | 120 |
| EM770BED3WE | Switch mech. 2 way 16AX 240V a.c. "BED3" engraved white | EA | \$11.96 | \$1.20 | 10 | 120 |
| EM770BED3UG | Switch mech. 2 way 16AX 240V a.c. "BED3" engraved urban grey | EA | \$15.08 | \$1.51 | 10 | 120 |
| EM770BED4WE | Switch mech. 2 way 16AX 240V a.c. "BED4" engraved white | EA | \$11.96 | \$1.20 | 10 | 120 |
| EM770BED4UG | Switch mech. 2 way 16AX 240V a.c. "BED4" engraved urban grey | EA | \$15.08 | \$1.51 | 10 | 120 |
| EM770BYPASSWE | Switch mech. 2 way 16AX 240V a.c. "BYPASS" engraved white | EA | \$11.96 | \$1.20 | 10 | 120 |
| EM770BYPASSUG | Switch mech. 2 way 16AX 240V a.c. "BYPASS" engraved urban grey | EA | \$15.08 | \$1.51 | 10 | 120 |
| EM770DAYNIGHTWE | Switch mech. 2 way 16AX 240V a.c. "DAY NIGHT" engraved white | EA | \$11.96 | \$1.20 | 10 | 120 |
| EM770DAYNIGHTUG | Switch mech. 2 way 16AX 240V a.c. "DAY NIGHT" engraved urban grey | EA | \$15.08 | \$1.51 | 10 | 120 |
| EM770DININGWE | Switch mech. 2 way 16AX 240V a.c. "DINING" engraved white | EA | \$11.96 | \$1.20 | 10 | 120 |
| EM770DININGUG | Switch mech. 2 way 16AX 240V a.c. "DINING" engraved urban grey | EA | \$15.08 | \$1.51 | 10 | 120 |
| EM770DININGBL | Switch mech. 2 way 16AX 240V a.c. "DINING" engraved black | N | \$11.96 | \$1.20 | 10 | 120 |
| EM770DUOHTWE | Switch mech. 1 way duo 16AX 240V a.c. "HEAT" engraved white | EA | \$22.87 | \$2.29 | 10 | 120 |
| EM770DUOHTUG | Switch mech. 1 way duo 16AX 240V a.c. "HEAT" engraved urban grey | EA | \$25.99 | \$2.60 | 10 | 120 |
| EM770DWASHWE | Switch mech. 2 way 16AX 240V a.c. "D/WASH" engraved white | EA | \$11.96 | \$1.20 | 10 | 120 |
| EM770DWASHUG | Switch mech. 2 way 16AX 240V a.c. "D/WASH" engraved urban grey | EA | \$15.08 | \$1.51 | 10 | 120 |
| EM770DWASHBL | Switch mech. 2 way 16AX 240V a.c. "D/WASH" engraved black | N | \$11.96 | \$1.20 | 10 | 120 |
| EM770EXHWE | Switch mech. 2 way 16AX 240V a.c. "EXHAUST" engraved white | EA | \$11.96 | \$1.20 | 10 | 120 |
| EM770EXHUG | Switch mech. 2 way 16AX 240V a.c. "EXHAUST" engraved urban grey | EA | \$15.08 | \$1.51 | 10 | 120 |
| EM770FANWE | Switch mech. 2 way 16AX 240V a.c. "FAN" engraved white | EA | \$11.96 | \$1.20 | 10 | 120 |
| EM770FANUG | Switch mech. 2 way 16AX 240V a.c. "FAN" engraved urban grey | EA | \$15.08 | \$1.51 | 10 | 120 |
| EM770FANBL | Switch mech. 2 way 16AX 240V a.c. "FAN" engraved black | N | \$11.96 | \$1.20 | 10 | 120 |
| EM770FRIDGEWE | Switch mech. 2 way 16AX 240V a.c. "FRIDGE" engraved white | EA | \$11.96 | \$1.20 | 10 | 120 |
| EM770FRIDGEUG | Switch mech. 2 way 16AX 240V a.c. "FRIDGE" engraved urban grey | EA | \$15.08 | \$1.51 | 10 | 120 |
| EM770FRIDGEBL | Switch mech. 2 way 16AX 240V a.c. "FRIDGE" engraved black | N | \$11.96 | \$1.20 | 10 | 120 |



New product



Energy Saving products



More info available. See technical pages



Coming soon



Product to be discontinued

Excel Life

EM series mechanisms



EM770LIGHTUG



EM770LOUNGEWE



EM770LIVINGWE



EM770MICROWAVEWE

| Cat.Nos | Switch mechanisms | UoM | Trade price \$ | GST \$ | Box qty | Carton qty |
|-----------------------------------|---|-----|----------------|--------|---------|------------|
| Engraved rocker mechanisms | | | | | | |
| EM770GAMESWE | Switch mech. 2 way 16AX 240V a.c. "GAMES" engraved white | EA | \$11.96 | \$1.20 | 10 | 120 |
| EM770GAMESUG | Switch mech. 2 way 16AX 240V a.c. "GAMES" engraved urban grey | EA | \$15.08 | \$1.51 | 10 | 120 |
| EM770HEATWE | Switch mech. 2 way 16AX 240V a.c. "HEAT" engraved white | EA | \$11.96 | \$1.20 | 10 | 120 |
| EM770HEATUG | Switch mech. 2 way 16AX 240V a.c. "HEAT" engraved urban grey | EA | \$15.08 | \$1.51 | 10 | 120 |
| EM770HEATBL | Switch mech. 2 way 16AX 240V a.c. "HEAT" engraved black | EA | \$11.97 | \$1.20 | 10 | 120 |
| EM770HOBWE | Switch mech. 2 way 16AX 240V a.c. "HOB" engraved white | EA | \$11.96 | \$1.20 | 10 | 120 |
| EM770HOBUG | Switch mech. 2 way 16AX 240V a.c. "HOB" engraved urban grey | EA | \$15.08 | \$1.51 | 10 | 120 |
| EM770HOODWE | Switch mech. 2 way 16AX 240V a.c. "HOOD" engraved white | EA | \$11.96 | \$1.20 | 10 | 120 |
| EM770HOODUG | Switch mech. 2 way 16AX 240V a.c. "HOOD" engraved urban grey | EA | \$15.08 | \$1.51 | 10 | 120 |
| EM770HOODBL | Switch mech. 2 way 16AX 240V a.c. "HOOD" engraved black | EA | \$11.96 | \$1.20 | 10 | 120 |
| EM770KITCHENWE | Switch mech. 2 way 16AX 240V a.c. "KITCHEN" engraved white | EA | \$15.08 | \$1.51 | 10 | 120 |
| EM770KITCHENUG | Switch mech. 2 way 16AX 240V a.c. "KITCHEN" engraved urban grey | EA | \$11.96 | \$1.20 | 10 | 120 |
| EM770KITCHENBL | Switch mech. 2 way 16AX 240V a.c. "KITCHEN" engraved black | EA | \$11.96 | \$1.20 | 10 | 120 |
| EM770LIGHTWE | Switch mech. 2 way 16AX 240V a.c. "LIGHT" engraved white | EA | \$15.08 | \$1.51 | 10 | 120 |
| EM770LIGHTUG | Switch mech. 2 way 16AX 240V a.c. "LIGHT" engraved urban grey | EA | \$11.96 | \$1.20 | 10 | 120 |
| EM770LIGHTBL | Switch mech. 2 way 16AX 240V a.c. "LIGHT" engraved black | EA | \$11.96 | \$1.20 | 10 | 120 |
| EM770LIVINGWE | Switch mech. 2 way 16AX 240V a.c. "LIVING" engraved white | EA | \$15.08 | \$1.51 | 10 | 120 |
| EM770LIVINGUG | Switch mech. 2 way 16AX 240V a.c. "LIVING" engraved urban grey | EA | \$11.96 | \$1.20 | 10 | 120 |
| EM770LIVINGBL | Switch mech. 2 way 16AX 240V a.c. "LIVING" engraved black | EA | \$11.96 | \$1.20 | 10 | 120 |
| EM770LOUNGEWE | Switch mech. 2 way 16AX 240V a.c. "LOUNGE" engraved white | EA | \$15.08 | \$1.51 | 10 | 120 |
| EM770LOUNGEUG | Switch mech. 2 way 16AX 240V a.c. "LOUNGE" engraved urban grey | EA | \$11.96 | \$1.20 | 10 | 120 |
| EM770LOUNGEBL | Switch mech. 2 way 16AX 240V a.c. "LOUNGE" engraved black | EA | \$11.96 | \$1.20 | 10 | 120 |
| EM770OUTSIDEWE | Switch mech. 2 way 16AX 240V a.c. "OUTSIDE" engraved white | EA | \$15.08 | \$1.51 | 10 | 120 |
| EM770OUTSIDEUG | Switch mech. 2 way 16AX 240V a.c. "OUTSIDE" engraved urban grey | EA | \$11.96 | \$1.20 | 10 | 120 |
| EM770OUTSIDEBL | Switch mech. 2 way 16AX 240V a.c. "OUTSIDE" engraved black | EA | \$11.96 | \$1.20 | 10 | 120 |
| EM770GARDENWE | Switch mech. 2 way 16AX 240V a.c. "GARDEN" engraved white | EA | \$15.08 | \$1.51 | 10 | 120 |
| EM770GARDENUG | Switch mech. 2 way 16AX 240V a.c. "GARDEN" engraved urban grey | EA | \$11.96 | \$1.20 | 10 | 120 |
| EM770GARDENBL | Switch mech. 2 way 16AX 240V a.c. "GARDEN" engraved black | EA | \$11.96 | \$1.20 | 10 | 120 |
| EM770TVWE | Switch mech. 2 way 16AX 240V a.c. "TV" engraved white | EA | \$15.08 | \$1.51 | 10 | 120 |
| EM770TVUG | Switch mech. 2 way 16AX 240V a.c. "TV" engraved urban grey | EA | \$11.96 | \$1.20 | 10 | 120 |
| EM770TVBL | Switch mech. 2 way 16AX 240V a.c. "TV" engraved black | EA | \$11.96 | \$1.20 | 10 | 120 |
| EM770MIRRORWE | Switch mech. 2 way 16AX 240V a.c. "MIRROR" engraved white | EA | \$15.08 | \$1.51 | 10 | 120 |
| EM770MIRRORUG | Switch mech. 2 way 16AX 240V a.c. "MIRROR" engraved urban grey | EA | \$11.96 | \$1.20 | 10 | 120 |
| EM770MIRRORBL | Switch mech. 2 way 16AX 240V a.c. "MIRROR" engraved black | EA | \$11.49 | \$1.15 | 10 | 120 |



New product



Energy Saving products



More info available. See technical pages



Coming soon



Product to be discontinued

Whilst most items are stock lines some products are made to order. UoM = Unit Of Measure. Prices are effective 1 June 2017 and are subject to change without notice. Trade prices exclude GST.

Excel Life

EM series mechanisms



EM770SENSORWE



EM770WASTEWE



EM770/20HWSWE



EM770/32OVENWE



EM770ZONE1WE

| Cat.Nos | Switch mechanisms | UoM | Trade price \$ | GST \$ | Box qty | Carton qty |
|-----------------------------------|---|-----|----------------|--------|---------|------------|
| Engraved rocker mechanisms | | | | | | |
| EM770FIREWE | Switch mech. 2 way 16AX 240V a.c. "FIRE" engraved white N | EA | \$11.96 | \$1.20 | 10 | 120 |
| EM770FIREUG | Switch mech. 2 way 16AX 240V a.c. "FIRE" engraved urban grey N | EA | \$15.08 | \$1.51 | 10 | 120 |
| EM770FIREBL | Switch mech. 2 way 16AX 240V a.c. "FIRE" engraved black N | EA | \$11.96 | \$1.20 | 10 | 120 |
| EM770MICROWAVEWE | Switch mech. 2 way 16AX 240V a.c. "MICROWAVE" engraved white + + | EA | \$11.96 | \$1.20 | 10 | 120 |
| EM770MICROWAVEUG | Switch mech. 2 way 16AX 240V a.c. "MICROWAVE" engraved urban grey + + | EA | \$15.08 | \$1.51 | 10 | 120 |
| EM770MICROWAVEBL | Switch mech. 2 way 16AX 240V a.c. "MICROWAVE" engraved black N | EA | \$11.96 | \$1.20 | 10 | 120 |
| EM770OFFICEWE | Switch mech. 2 way 16AX 240V a.c. "OFFICE" engraved white + + | EA | \$11.96 | \$1.20 | 10 | 120 |
| EM770OFFICEUG | Switch mech. 2 way 16AX 240V a.c. "OFFICE" engraved urban grey + + | EA | \$15.08 | \$1.51 | 10 | 120 |
| EM770OFFICEBL | Switch mech. 2 way 16AX 240V a.c. "OFFICE" engraved black N | EA | \$11.96 | \$1.20 | 10 | 120 |
| EM770RUMPUSWE | Switch mech. 2 way 16AX 240V a.c. "RUMPUS" engraved white + + | EA | \$11.96 | \$1.20 | 10 | 120 |
| EM770RUMPUSUG | Switch mech. 2 way 16AX 240V a.c. "RUMPUS" engraved urban grey + + | EA | \$15.08 | \$1.51 | 10 | 120 |
| EM770SENSORWE | Switch mech. 2 way 16AX 240V a.c. "SENSOR" engraved white + + | EA | \$11.96 | \$1.20 | 10 | 120 |
| EM770SENSORUG | Switch mech. 2 way 16AX 240V a.c. "SENSOR" engraved urban grey + + | EA | \$15.08 | \$1.51 | 10 | 120 |
| EM770SENSORBL | Switch mech. 2 way 16AX 240V a.c. "SENSOR" engraved black N | EA | \$11.96 | \$1.20 | 10 | 120 |
| EM770WASTEWE | Switch mech. 2 way 16AX 240V a.c. "WASTE" engraved white + + | EA | \$11.96 | \$1.20 | 10 | 120 |
| EM770WASTEUG | Switch mech. 2 way 16AX 240V a.c. "WASTE" engraved urban grey + + | EA | \$15.08 | \$1.51 | 10 | 120 |
| EM770WASTEBL | Switch mech. 2 way 16AX 240V a.c. "WASTE" engraved black N | EA | \$11.96 | \$1.20 | 10 | 120 |
| EM770ZONE1WE | Switch mech. 2 way 16AX 240V a.c. "ZONE1" engraved white + + | EA | \$11.96 | \$1.20 | 10 | 120 |
| EM770ZONE1UG | Switch mech. 2 way 16AX 240V a.c. "ZONE1" engraved urban grey + + | EA | \$15.08 | \$1.51 | 10 | 120 |
| EM770ZONE2WE | Switch mech. 2 way 16AX 240V a.c. "ZONE2" engraved white + + | EA | \$11.96 | \$1.20 | 10 | 120 |
| EM770ZONE2UG | Switch mech. 2 way 16AX 240V a.c. "ZONE2" engraved urban grey + + | EA | \$15.08 | \$1.51 | 10 | 120 |
| EM770ZONE3WE | Switch mech. 2 way 16AX 240V a.c. "ZONE3" engraved white + + | EA | \$11.96 | \$1.20 | 10 | 120 |
| EM770ZONE3UG | Switch mech. 2 way 16AX 240V a.c. "ZONE3" engraved urban grey + + | EA | \$15.08 | \$1.51 | 10 | 120 |
| EM770ZONE4WE | Switch mech. 2 way 16AX 240V a.c. "ZONE4" engraved white + + | EA | \$11.96 | \$1.20 | 10 | 120 |
| EM770ZONE4UG | Switch mech. 2 way 16AX 240V a.c. "ZONE4" engraved urban grey + + | EA | \$15.08 | \$1.51 | 10 | 120 |
| EM770/20ACWE | Switch mech. 2 way 20A 240V a.c. "AIR CON" engraved white + + | EA | \$24.12 | \$2.41 | 10 | 120 |
| EM770/20ACUG | Switch mech. 2 way 20A 240V a.c. "AIR CON" engraved urban grey + + | EA | \$27.24 | \$2.72 | 10 | 120 |
| EM770/20HWSWE | Switch mech. 2 way 20A 240V a.c. "HWS" engraved white + + | EA | \$24.12 | \$2.41 | 10 | 120 |
| EM770/20HWSUG | Switch mech. 2 way 20A 240V a.c. "HWS" engraved urban grey + + | EA | \$27.24 | \$2.72 | 10 | 120 |
| EM770/32HOBWE | Switch mech. 1 way 32A 240V a.c. "HOB" engraved white + + | EA | \$25.02 | \$2.50 | 10 | 120 |
| EM770/32HOBUG | Switch mech. 1 way 32A 240V a.c. "HOB" engraved urban grey + + | EA | \$28.14 | \$2.81 | 10 | 120 |
| EM770/32HOBBL | Switch mech. 2 way 32A 240V a.c. "HOB" engraved black N | EA | \$25.02 | \$2.50 | 10 | 120 |
| EM770/32HOTPWE | Switch mech. 1 way 32A 240V a.c. "HOT PLATE" engraved white + + | EA | \$24.98 | \$2.50 | 10 | 120 |
| EM770/32HOTPUG | Switch mech. 1 way 32A 240V a.c. "HOT PLATE" engraved urban grey + + | EA | \$28.11 | \$2.81 | 10 | 120 |



New product



Energy Saving products



More info available. See technical pages



Coming soon



Product to be discontinued

Excel Life

EM series mechanisms



EM770PRINTWE

| Cat.Nos | Switch mechanisms | | UoM | Trade price \$ | GST \$ | Box qty | Carton qty |
|-----------------------------------|--|----------|-----|----------------|--------|---------|------------|
| Engraved rocker mechanisms | | | | | | | |
| EM770/32OVENWE | Switch mech. 1 way 32A 240V a.c. "OVEN" engraved white | | EA | \$24.98 | \$2.50 | 10 | 120 |
| EM770/32OVENUG | Switch mech. 1 way 32A 240V a.c. "OVEN" engraved urban grey | | EA | \$28.11 | \$2.81 | 10 | 120 |
| EM770/32OVENBL | Switch mech. 1 way 32A 240V a.c. "OVEN" engraved black | N | EA | \$25.02 | \$2.50 | 10 | 120 |
| EM770/32RANGEWE | Switch mech. 1 way 32A 240V a.c. "RANGE" engraved white | | EA | \$25.02 | \$2.50 | 10 | 120 |
| EM770/32RANGEUG | Switch mech. 1 way 32A 240V a.c. "RANGE" engraved urban grey | | EA | \$28.14 | \$2.81 | 10 | 120 |
| EM770/32RANGEBL | Switch mech. 2 way 32A 240V a.c. "RANGE" engraved black | N | EA | \$25.02 | \$2.50 | 10 | 120 |
| EM770/32RDWE | Switch mech. 1 way 32A 240V a.c. with red dot white | | EA | \$22.90 | \$2.29 | 10 | 120 |
| EM770/32RDUG | Switch mech. 1 way 32A 240V a.c. with red dot urban grey | | EA | \$26.03 | \$2.60 | 10 | 120 |
| EM770PRINTWE | Switch mech. 2 way 16AX 240V a.c. custom print white | | EA | \$12.78 | \$1.28 | 10 | 120 |
| EM770PRINTUG | Switch mech. 2 way 16AX 240V a.c. custom print urban grey | | EA | \$15.91 | \$1.59 | 10 | 120 |
| EM770PRINTBL | Switch mech. 2 way 16AX 240V a.c. custom print black | | EA | \$12.78 | \$1.28 | 10 | 120 |



New product



Energy Saving products



More info available.
See technical pages



Coming soon



Product to be discontinued

Whilst most items are stock lines some products are made to order. UoM = Unit Of Measure.
Prices are effective 1 June 2017 and are subject to change without notice. Trade prices exclude GST.

Excel Life

EM series mechanisms



EM802TDWE



EM820BL1WE



EM820KLIOWE



EM770/20KT



EM787WE



EM787U/25WE

| Cat.Nos | Switch mechanisms | UoM | Trade price \$ | GST \$ | Box qty | Carton qty |
|--|---|-----|----------------|---------|---------|------------|
| Time delay push-button mechanisms | | | | | | |
| EM802TDWE | Time delay mech. 400VA 240V a.c. 2 wire 1-10mn with 1mn steps white | EA | \$78.32 | \$7.83 | 10 | 120 |
| EM802TDUG | Time delay mech. 400VA 240V a.c. 2 wire 1-10mn with 1mn steps urban grey | EA | \$81.45 | \$8.14 | 10 | 120 |
| EM803TDWE | Time delay mech. 500VA 240V a.c. 3 wire 1-60mn with 5mn steps white | EA | \$94.43 | \$9.44 | 10 | 120 |
| EM803TDUG | Time delay mech. 500VA 240V a.c. 3 wire 1-60mn with 5mn steps urban grey | EA | \$97.55 | \$9.76 | 10 | 120 |
| Bi-lock mechanisms | | | | | | |
| EM820BL0WE | Bi-lock mech. 1 gang 16A 250V a.c. OFF removable only white | EA | \$98.50 | \$9.85 | 10 | 120 |
| EM820BL1WE | Bi-lock mech. 1 gang 16A 250V a.c. ON removable only white | EA | \$98.50 | \$9.85 | 10 | 120 |
| EM820BL10WE | Bi-lock mech. 1 gang 16A 250V a.c. ON/OFF removable white | EA | \$98.50 | \$9.85 | 10 | 120 |
| Keylock mechanisms | | | | | | |
| EM820KLIOWE | Keylock mech. 1 gang 20A 240V a.c. ON/OFF removable white | EA | \$70.75 | \$7.08 | 10 | 120 |
| EM820KLI0UG | Keylock mech. 1 gang 20A 240V a.c. ON/OFF removable urban grey | EA | \$73.87 | \$7.39 | 10 | 120 |
| EM820KLIWE | Keylock mech. 1 gang 20A 240V a.c. ON removable only white | EA | \$70.75 | \$7.08 | 10 | 120 |
| EM820KLIUG | Keylock mech. 1 gang 20A 240V a.c. ON removable only urban grey | EA | \$73.87 | \$7.39 | 10 | 120 |
| EM820KLOWE | Keylock mech. 1 gang 20A 240V a.c. OFF removable only white | EA | \$70.75 | \$7.08 | 10 | 120 |
| EM820KLOUG | Keylock mech. 1 gang 20A 240V a.c. OFF removable only urban grey | EA | \$73.87 | \$7.39 | 10 | 120 |
| Keytag mechanisms | | | | | | |
| EM20A/4KTWE | Keytag mech. single pole double throw 4 x 20A 240V a.c. white | EA | \$166.51 | \$16.65 | 10 | 120 |
| EM770/20KT | Keytag mech. single pole double throw 20A 240V a.c. white | EA | \$18.82 | \$1.88 | 10 | 120 |
| Powerpoint mechanisms | | | | | | |
| Horizontal single powerpoint mechanisms | | | | | | |
| EM787WE | Powerpoint mech. 1 gang 10A 240V a.c. white | EA | \$12.39 | \$1.24 | 10 | 120 |
| EM787AWE | Powerpoint mech. 1 gang 10A 240V a.c. autoswitch white | EA | \$12.39 | \$1.24 | 10 | 120 |
| EM787AUG | Powerpoint mech. 1 gang 10A 240V a.c. autoswitch urban grey | EA | \$15.51 | \$1.55 | 10 | 120 |
| EM787ARWE | Powerpoint mech. 1 gang 10A 240V a.c. autoswitch with round earth white | EA | \$49.66 | \$4.97 | 10 | 120 |
| EM787A/15WE | Powerpoint mech. 1 gang 15A 240V a.c. autoswitch white | EA | \$25.70 | \$2.57 | 10 | 120 |
| EM787U/20WE | Powerpoint mech. 1 gang 20A 240V a.c. unswitched white | EA | \$22.62 | \$2.26 | 10 | 120 |
| EM787U/25WE | Powerpoint mech. 1 gang 25A 240V a.c. unswitched with L shape earth white | EA | \$27.53 | \$2.75 | 10 | 120 |
| Vertical single powerpoint mechanisms | | | | | | |
| EMV787WE | Powerpoint mech. 1 gang 10A 240V a.c. white | EA | \$19.22 | \$1.92 | 10 | 120 |
| EMV787AWE | Powerpoint mech. 1 gang 10A 240V a.c. autoswitch white | EA | \$19.22 | \$1.92 | 10 | 120 |
| EMV787A/15WE | Powerpoint mech. 1 gang 15A 240V a.c. autoswitch white | EA | \$39.86 | \$3.99 | 10 | 120 |



New product



Energy Saving products

More info available.
See technical pages

Coming soon



Product to be discontinued

Excel Life

EM series mechanisms



EM803PIRWE



EM400TRWE



EM400A2PWE



EM3FCWE

| Cat.Nos | PIR Sensor | | UoM | Trade price \$ | GST \$ | Box qty | Carton qty |
|--------------------------------------|---|---------|-----|----------------|---------|---------|------------|
| Automatic | | | | | | | |
| EM803PIRWE | PIR sensor mechanism automatic 3 wire 5A white | N | EA | \$99.90 | \$9.99 | 10 | 120 |
| EM803PIRUG | PIR sensor mechanism automatic 3 wire 5A urban grey | N | EA | \$101.90 | \$10.99 | 10 | 120 |
| EM803PIRBL | PIR sensor mechanism automatic 3 wire 5A black | N | EA | \$99.90 | \$9.99 | 10 | 120 |
| Manual Override | | | | | | | |
| EM803PIRSWE | PIR sensor mechanism manual override 3 wire 5A white | N | EA | \$111.90 | \$11.19 | 10 | 120 |
| EM803PIRSUG | PIR sensor mechanism manual override 3 wire 5A urban grey | N | EA | \$114.90 | \$11.49 | 10 | 120 |
| EM803PIRSBL | PIR sensor mechanism manual override 3 wire 5A black | N | EA | \$111.90 | \$11.19 | 10 | 120 |
| Dimmer mechanisms | | | | | | | |
| Rotary dimmer mechanisms | | | | | | | |
| EM250TRWE | Dimmer mech. rotary trailing edge 2 wire 250VA 240V a.c. white | ECO + | EA | \$41.17 | \$4.12 | 10 | 120 |
| EM250TRUG | Dimmer mech. rotary trailing edge 2 wire 250VA 240V a.c. urban grey | ECO + | EA | \$44.29 | \$4.43 | 10 | 120 |
| EM400TRWE | Dimmer mech. rotary trailing edge 2 wire 400VA 240V a.c. white | ECO + | EA | \$64.34 | \$6.43 | 10 | 120 |
| EM400TRUG | Dimmer mech. rotary trailing edge 2 wire 400VA 240V a.c. urban grey | ECO + | EA | \$67.47 | \$6.75 | 10 | 120 |
| EM400TRBL | Dimmer mech. rotary trailing edge 2 wire 400VA 240V a.c. black | N ECO + | EA | \$64.34 | \$6.43 | 10 | 120 |
| EM700TRWE | Dimmer mech. rotary trailing edge 2 wire 700VA 240V a.c. white | ECO + | EA | \$97.99 | \$9.80 | 10 | 120 |
| EM700TRUG | Dimmer mech. rotary trailing edge 2 wire 700VA 240V a.c. urban grey | ECO + | EA | \$101.11 | \$10.11 | 10 | 120 |
| Push-button dimmer mechanisms | | | | | | | |
| EM400A2PWE | Dimmer mech. push-button 2 wire 16A 250V a.c. white | ECO + | EA | \$74.61 | \$7.46 | 10 | 120 |
| EM400A2PUG | Dimmer mech. push-button 2 wire 16A 250V a.c. urban grey | ECO + | EA | \$77.73 | \$7.77 | 10 | 120 |
| EM400A2PBL | Dimmer mech. push-button 2 wire 16A 250V a.c. black | N ECO + | EA | \$74.61 | \$7.46 | 10 | 120 |
| EM400A3PWE | Dimmer mech. push-button 3 wire 16A 250V a.c. white | ECO + | EA | \$78.30 | \$7.83 | 10 | 120 |
| EM400A3PUG | Dimmer mech. push-button 3 wire 16A 250V a.c. urban grey | ECO + | EA | \$81.43 | \$8.14 | 10 | 120 |
| EM400A3PBL | Dimmer mech. push-button 3 wire 16A 250V a.c. black | N ECO + | EA | \$78.30 | \$7.83 | 10 | 120 |
| Remote controlled dimmers | | | | | | | |
| EM2000ERC | Dimmer mech. rotary remote leading edge 2 wire 2000VA 240V a.c. white | ECO + | EA | \$421.07 | \$42.11 | 1 | 10 |
| Fan controller mechanisms | | | | | | | |
| EM3FCWE | Fan controller mech. 3 speed 16A 250V a.c. white | + | EA | \$18.54 | \$1.85 | 10 | 120 |
| EM3FCUG | Fan controller mech. 3 speed 16A 250V a.c. urban grey | + | EA | \$21.66 | \$2.17 | 10 | 120 |
| EM3FCBL | Fan controller mech. 3 speed 16A 250V a.c. black | N + | EA | \$18.54 | \$1.85 | 10 | 120 |



New product



Energy Saving products



More info available. See technical pages



Coming soon



Product to be discontinued

Whilst most items are stock lines some products are made to order. UoM = Unit Of Measure. Prices are effective 1 June 2017 and are subject to change without notice. Trade prices exclude GST.

Excel Life

EM series mechanisms



EMFFFOXWE



EMSPWE



EMRJ11C3WE



EMRJ45C6RD



EMRJ45C6YE

| Cat.Nos | TV, phone, data and AV sockets | UoM | Trade price \$ | GST \$ | Box qty | Carton qty |
|----------------------|--|-----|----------------|--------|---------|------------|
| TV sockets | | | | | | |
| EMFFFOXWE | TV mech. F-type Foxtel approved F30725 3GHz white | EA | \$5.81 | \$0.58 | 10 | 120 |
| EMFFFOXUG | TV mech. F-type Foxtel approved F30725 3GHz urban grey | EA | \$8.93 | \$0.89 | 10 | 120 |
| EMFFFOXBL | TV mech. F-type Foxtel approved F30725 3GHz black | EA | \$5.81 | \$0.58 | 10 | 120 |
| EMPFWE | TV mech. PAL to F-type white | EA | \$5.34 | \$0.53 | 10 | 120 |
| EMPFUG | TV mech. PAL to F-type urban grey | EA | \$8.46 | \$0.85 | 10 | 120 |
| EMPFBL | TV mech. PAL to F-type black | EA | \$5.34 | \$0.53 | 10 | 120 |
| EMSPWE | TV mech. PAL to saddle white | EA | \$6.75 | \$0.68 | 10 | 120 |
| EMSPUG | TV mech. PAL to saddle urban grey | EA | \$9.87 | \$0.99 | 10 | 120 |
| EMSPBL | TV mech. PAL to saddle black | EA | \$6.75 | \$0.68 | 10 | 120 |
| Phone sockets | | | | | | |
| EMRJ11C3WE | Phone mech. Cat3 white | EA | \$8.18 | \$0.82 | 10 | 120 |
| EMRJ11C3BL | Phone mech. Cat3 black | EA | \$9.62 | \$0.96 | 10 | 120 |
| EMRJ11C3BU | Phone mech. Cat3 blue | EA | \$9.62 | \$0.96 | 10 | 120 |
| EMRJ11C3GR | Phone mech. Cat3 green | EA | \$9.62 | \$0.96 | 10 | 120 |
| EMRJ11C3RD | Phone mech. Cat3 red | EA | \$9.62 | \$0.96 | 10 | 120 |
| EMRJ11C3YE | Phone mech. Cat3 yellow | EA | \$9.62 | \$0.96 | 10 | 120 |
| RJ45 sockets | | | | | | |
| EMRJ45C5EWE | RJ45 mech. Cat5E UTP 8 contacts white | EA | \$9.29 | \$0.93 | 10 | 120 |
| EMRJ45C5EBL | RJ45 mech. Cat5E UTP 8 contacts black | EA | \$11.20 | \$1.12 | 10 | 120 |
| EMRJ45C5EBU | RJ45 mech. Cat5E UTP 8 contacts blue | EA | \$11.20 | \$1.12 | 10 | 120 |
| EMRJ45C5EGR | RJ45 mech. Cat5E UTP 8 contacts green | EA | \$11.20 | \$1.12 | 10 | 120 |
| EMRJ45C5ERD | RJ45 mech. Cat5E UTP 8 contacts red | EA | \$11.20 | \$1.12 | 10 | 120 |
| EMRJ45C5EYE | RJ45 mech. Cat5E UTP 8 contacts yellow | EA | \$11.20 | \$1.12 | 10 | 120 |
| EMRJ45C6WE | RJ45 mech. Cat6 UTP 8 contacts white | EA | \$11.22 | \$1.12 | 10 | 120 |
| EMRJ45C6BL | RJ45 mech. Cat6 UTP 8 contacts black | EA | \$13.53 | \$1.35 | 10 | 120 |
| EMRJ45C6BU | RJ45 mech. Cat6 UTP 8 contacts blue | EA | \$13.53 | \$1.35 | 10 | 120 |
| EMRJ45C6GR | RJ45 mech. Cat6 UTP 8 contacts green | EA | \$13.53 | \$1.35 | 10 | 120 |
| EMRJ45C6RD | RJ45 mech. Cat6 UTP 8 contacts red | EA | \$13.53 | \$1.35 | 10 | 120 |
| EMRJ45C6YE | RJ45 mech. Cat6 UTP 8 contacts yellow | EA | \$13.53 | \$1.35 | 10 | 120 |



New product



Energy Saving products



More info available.
See technical pages



Coming soon



Product to be discontinued

Excel Life

EM series mechanisms



EMKEYSTONEAWE



EMKEYSTONEBWE



033181

| Cat.Nos | TV, phone, data and AV sockets | | UoM | Trade price \$ | GST \$ | Box qty | Carton qty |
|---------------|---|----------|-----|----------------|--------|---------|------------|
| | Fast connection RJ45 sockets LCS² | | | | | | |
| 033160 | RJ45 keystone Cat5E UTP white | N | EA | \$10.32 | \$1.03 | 10 | - |
| 033180 | RJ45 keystone Cat5E UTP black | N | EA | \$11.36 | \$1.14 | 10 | - |
| 033161 | RJ45 keystone Cat6 UTP white | N | EA | \$12.40 | \$1.24 | 10 | - |
| 033181 | RJ45 keystone Cat6 UTP black | N | EA | \$13.03 | \$1.30 | 10 | - |
| 033154 | RJ45 keystone Cat6A STP white | N | EA | \$23.86 | \$2.39 | 10 | - |
| 033155 | RJ45 keystone Cat6A UTP white | N | EA | \$16.57 | \$1.66 | 10 | - |
| | Keystone adaptors | | | | | | |
| EMKEYSTONEAWE | Keystone adaptor for Krone, Hubbel, Leviton, Siemens and Clipsal white | | EA | \$1.91 | \$0.19 | 20 | 240 |
| EMKEYSTONEAUG | Keystone adaptor for Krone, Hubbel, Leviton, Siemens and Clipsal urban grey | | EA | \$5.03 | \$0.50 | 20 | 240 |
| EMKEYSTONEABL | Keystone adaptor for Krone, Hubbel, Leviton, Siemens and Clipsal black | N | EA | \$1.91 | \$0.19 | 20 | 240 |
| EMKEYSTONEBWE | Keystone adaptor for Panduit jacks white | | EA | \$1.91 | \$0.19 | 20 | 240 |
| EMKEYSTONEBUG | Keystone adaptor for Panduit jacks urban grey | | EA | \$5.03 | \$0.50 | 20 | 240 |
| EMKEYSTONECWE | Keystone adaptor for Systimax jacks white | | EA | \$1.91 | \$0.19 | 20 | 240 |
| EMKEYSTONECUG | Keystone adaptor for Systimax jacks urban grey | | EA | \$5.03 | \$0.50 | 20 | 240 |
| EMKEYSTONEDWE | Keystone adaptor for Tyco/AMP jacks white | | EA | \$1.91 | \$0.19 | 20 | 240 |
| EMKEYSTONEDUG | Keystone adaptor for Tyco/AMP jacks urban grey | | EA | \$5.03 | \$0.50 | 20 | 240 |
| EMKEYSTONEEWE | Keystone adaptor for Molex jacks white | | EA | \$1.91 | \$0.19 | 20 | 240 |
| EMKEYSTONEEUG | Keystone adaptor for Molex jacks urban grey | | EA | \$5.03 | \$0.50 | 20 | 240 |
| EMKEYSTONELWE | Keystone adaptor for Legrand LCS ² jacks white | N | EA | \$1.91 | \$0.19 | 10 | 240 |
| EMKEYSTONELUG | Keystone adaptor for Legrand LCS ² jacks urban grey | N | EA | \$5.03 | \$0.50 | 10 | 240 |
| EMKEYSTONELBL | Keystone adaptor for Legrand LCS ² jacks black | N | EA | \$1.91 | \$0.19 | 10 | 240 |



New product



Energy Saving products



More info available.
See technical pages



Coming soon



Product to be discontinued

Whilst most items are stock lines some products are made to order. UoM = Unit Of Measure.
Prices are effective 1 June 2017 and are subject to change without notice. Trade prices exclude GST.



EM910HDMIWE



EMRCAWEWE



EMRCARDWE



EMUSB2PSAWE



EMUSB2PSXUG



EM800BPRDWE

| Cat.Nos | Phone TV, data and AV sockets | UoM | Trade price \$ | GST \$ | Box qty | Carton qty |
|---|--|-----|----------------|--------|---------|------------|
| HDMI sockets | | | | | | |
| EM910HDMIWE | HDMI mech. 150mm flying lead 1 module white | EA | \$37.09 | \$3.71 | 10 | 120 |
| EM910HDMIBL | HDMI mech. 150mm flying lead 1 module black N | EA | \$37.09 | \$3.71 | 10 | 120 |
| Audio sockets | | | | | | |
| EM800BPBLWE | Audio mech. black banana socket white | EA | \$14.21 | \$1.42 | 10 | 120 |
| EM800BPBLUG | Audio mech. black banana socket urban grey | EA | \$17.33 | \$1.73 | 10 | 120 |
| EM800BPRDWE | Audio mech. red banana socket white | EA | \$14.21 | \$1.42 | 10 | 120 |
| EM800BPRDUG | Audio mech. red banana socket urban grey | EA | \$17.33 | \$1.73 | 10 | 120 |
| EMRCARDWE | Audio mech. red RCA outlet white | EA | \$7.95 | \$0.80 | 10 | 120 |
| EMRCARDUG | Audio mech. red RCA outlet urban grey | EA | \$7.95 | \$0.80 | 10 | 120 |
| EMRCAWEWE | Audio mech. white RCA outlet white | EA | \$7.95 | \$0.80 | 10 | 120 |
| EMRCAWEUG | Audio mech. white RCA outlet urban grey | EA | \$7.95 | \$0.80 | 10 | 120 |
| EMRCAYELWE | Audio mech. yellow RCA outlet white | EA | \$7.95 | \$0.80 | 10 | 120 |
| EMRCAYELUG | Audio mech. yellow RCA outlet urban grey | EA | \$7.95 | \$0.80 | 10 | 120 |
| USB 3.0 sockets for data transfer | | | | | | |
| EM910USBWE | USB mech. 150mm flying lead 1 module white | EA | \$35.81 | \$3.58 | 10 | 120 |
| EM910USBBL | USB mech. 150mm flying lead 1 module black N | EA | \$35.81 | \$3.58 | 10 | 120 |
| Dual USB charging mechanisms | | | | | | |
| For plasterboard or single brick installations - Dual type A | | | | | | |
| EMUSB2PSAWE | USB charger mech. 2 x 2.4A white ++ | EA | \$51.95 | \$5.20 | - | 12 |
| EMUSB2PSAUG | USB charger mech. 2 x 2.4A urban grey ++ | EA | \$55.07 | \$5.51 | - | 12 |
| EMUSB2PSABL | USB charger mech. 2 x 2.4A black N ++ | EA | \$51.95 | \$5.20 | - | 12 |
| For wall box, fire box or double brick installations - Dual type A | | | | | | |
| EMUSB2PSXWE | USB charger mech. with inline connector 2 x 2.4A white ++ | EA | \$58.19 | \$5.82 | - | 12 |
| EMUSB2PSXUG | USB charger mech. with inline connector 2 x 2.4A urban grey ++ | EA | \$61.31 | \$6.13 | - | 12 |
| EMUSB2PSXBL | USB charger mech. with inline connector 2 x 2.4A black N ++ | EA | \$58.19 | \$5.82 | - | 12 |
| Extension lead for dual USB charger mechanisms EMUSB2PSX series | | | | | | |
| EAUSBEXT3WE | Extension lead 3m with connectors for EMUSB2PSX USB charger mechanisms | EA | \$22.80 | \$2.28 | - | - |



New product



Energy Saving products



More info available. See technical pages



Coming soon



Product to be discontinued

Excel Life

EM series mechanisms



EMUSB2ACWE



EMUSB1CWE

| Cat.Nos | USB charging mechanisms | | UoM | Trade price \$ | GST \$ | Box qty | Carton qty |
|--|---|--|-----|----------------|--------|---------|------------|
| For plasterboard or single brick wall installations - Dual type A&C | | | | | | | |
| EMUSB2ACWE | USB charger mech. dual type A&C 2x2.4A white | | EA | \$59.90 | \$5.99 | - | 12 |
| EMUSB2ACUG | USB charger mech. dual type A&C 2x2.4A urban grey | | EA | \$61.90 | \$6.19 | - | 12 |
| EMUSB2ACBL | USB charger mech. dual type A&C 2x2.4A black | | EA | \$59.90 | \$5.99 | - | 12 |
| For plasterboard or single brick wall installations - Single type C | | | | | | | |
| EMUSB1CWE | USB charger mech. type C 45W white | | EA | \$69.90 | \$6.99 | - | 12 |
| EMUSB1CUG | USB charger mech. type C 45W urban grey | | EA | \$71.90 | \$7.19 | - | 12 |
| EMUSB1CBL | USB charger mech. type C 45W black | | EA | \$69.90 | \$6.99 | - | 12 |



New product



Energy Saving products



More info available.
See technical pages



Coming soon



Product to be discontinued

Whilst most items are stock lines some products are made to order. UoM = Unit Of Measure.
Prices are effective 1 June 2017 and are subject to change without notice. Trade prices exclude GST.

Excel Life

EM series mechanisms



EM770LEDWE



EMPAPS1WE



EMPS2WE



EMPS1WE



EM803SURGEWE

| Cat.Nos | | | UoM | Trade price \$ | GST \$ | Box qty | Carton qty |
|------------------------------------|---|--|-----|----------------|--------|---------|------------|
| Indicator mechanisms | | | | | | | |
| EM770LEDWE | Blue LED ring for rocker switches 250V a.c. white | | EA | \$5.81 | \$0.58 | 10 | 120 |
| EM770LEDUG | Blue LED ring for rocker switches 250V a.c. urban grey | | EA | \$8.93 | \$0.89 | 10 | 120 |
| EM770LEDBL | Blue LED ring for rocker switches 250V a.c. black | | EA | \$5.81 | \$0.58 | 10 | 120 |
| EM803LEDWE | Coloured indicator kit 250V a.c. white | | EA | \$25.40 | \$2.54 | 10 | 120 |
| EM803LEDUG | Coloured indicator kit 250V a.c. urban grey | | EA | \$28.52 | \$2.85 | 10 | 120 |
| EMPAPS1WE | Amber available/red power supplied indicator 250V a.c. white | | EA | \$23.73 | \$2.37 | 10 | 120 |
| EMPAPS1UG | Amber power available/red power supplied indicator 250V a.c. urban grey | | EA | \$26.86 | \$2.69 | 10 | 120 |
| EMPAPS2WE | Amber power available 2 x red power supplied indicator 250V a.c. white | | EA | \$28.48 | \$2.85 | 10 | 120 |
| EMPAPS2UG | Amber power available 2 x red power supplied indicator 250V a.c. urban grey | | EA | \$31.60 | \$3.16 | 10 | 120 |
| EMPAWE | Amber power available indicator 250V a.c. white | | EA | \$23.73 | \$2.37 | 10 | 120 |
| EMPAUG | Amber power available indicator 250V a.c. urban grey | | EA | \$26.86 | \$2.69 | 10 | 120 |
| EMPS1WE | Red power supplied indicator 250V a.c. white | | EA | \$23.73 | \$2.37 | 10 | 120 |
| EMPS1UG | Red power supplied indicator 250V a.c. urban grey | | EA | \$26.86 | \$2.69 | 10 | 120 |
| EMPS2WE | Red power supplied x 2 indicator 250V a.c. white | | EA | \$28.48 | \$2.85 | 10 | 120 |
| EMPS2UG | Red power supplied x 2 indicator 250V a.c. urban grey | | EA | \$31.60 | \$3.16 | 10 | 120 |
| Surge protection mechanisms | | | | | | | |
| EM803SURGEWE | Surge protection mech. 500J 240V a.c. with LED white | | EA | \$54.88 | \$5.49 | 10 | 120 |
| EM803SURGEUG | Surge protection mech. 500J 240V a.c. with LED urban grey | | EA | \$58.00 | \$5.80 | 10 | 120 |



New product



Energy Saving products



More info available.
See technical pages



Coming soon



Product to be discontinued

Excel Life

Accessories



EA910/1WE



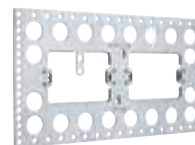
EA910/2WE



EMCLIDWE



EA143/4H



EA503/2W

| Cat.Nos | | UoM | Trade price \$ | GST \$ | Box qty | Carton qty |
|--|--|-----|----------------|--------|---------|------------|
| Blank modules | | | | | | |
| EMIDWE | Blank module white | EA | \$1.37 | \$0.14 | 10 | 120 |
| EMIDUG | Blank module urban grey | EA | \$4.50 | \$0.45 | 10 | 120 |
| EMCLIDWE | Blank module with clear cap white | EA | \$1.86 | \$0.19 | 10 | 120 |
| EMCLIDUG | Blank module with clear cap urban grey | EA | \$2.99 | \$0.30 | 10 | 120 |
| EMCLIDBL | Blank module with clear cap black | EA | \$1.86 | \$0.19 | 10 | 120 |
| Circuit identification labels for use with EMCLID modules | | | | | | |
| EACIDLABELWE | Circuit identification labels white 96 labels per sheet - pack of 10 sheets | EA | \$15.23 | \$1.52 | 10 | 120 |
| EACIDLABELBU | Circuit identification labels blue 96 labels per sheet - pack of 10 sheets | EA | \$15.23 | \$1.52 | 10 | 120 |
| EACIDLABELRED | Circuit identification labels red 96 labels per sheet - pack of 10 sheets | EA | \$15.23 | \$1.52 | 10 | 120 |
| EACIDLABELYE | Circuit identification labels yellow 96 labels per sheet - pack of 10 sheets | EA | \$15.23 | \$1.52 | 10 | 120 |
| Insert modules | | | | | | |
| EA910/1WE | Insert 1 module 1 gang white | EA | \$1.78 | \$0.18 | 10 | 120 |
| EA910/1UG | Insert 1 module 1 gang urban grey | EA | \$4.90 | \$0.49 | 10 | 120 |
| EA910/1BL | Insert 1 module 1 gang black | EA | \$1.78 | \$0.18 | 10 | 120 |
| EA910/2WE | Insert 1 module 2 gang white | EA | \$1.78 | \$0.18 | 10 | 120 |
| EA910/2UG | Insert 1 module 2 gang urban grey | EA | \$4.90 | \$0.49 | 10 | 120 |
| EA910/2BL | Insert 1 module 2 gang black | EA | \$1.78 | \$0.18 | 10 | 120 |
| EA910/0WE | Insert 1 module blank white | EA | \$1.78 | \$0.18 | 10 | 120 |
| EA910/0UG | Insert 1 module blank urban grey | EA | \$4.90 | \$0.49 | 10 | 120 |
| EA910/0BL | Insert 1 module blank black | EA | \$1.78 | \$0.18 | 10 | 120 |
| Multi-gang brackets | | | | | | |
| Vertical mounting | | | | | | |
| EA143/2H | Metal bracket 2 gang stud mount | EA | \$6.88 | \$0.69 | - | 30 |
| EA143/3H | Metal bracket 3 gang stud mount | EA | \$8.03 | \$0.80 | - | 20 |
| EA143/4H | Metal bracket 4 gang stud mount | EA | \$9.45 | \$0.94 | - | 20 |
| EA503/2H | Metal render bracket 2 gang stud mount | EA | \$10.53 | \$1.05 | - | 30 |
| EA503/3H | Metal render bracket 3 gang stud mount | EA | \$11.70 | \$1.17 | - | 30 |
| EA503/4H | Metal render bracket 4 gang stud mount | EA | \$13.12 | \$1.31 | - | 30 |
| Horizontal mounting | | | | | | |
| EA143/2W | Metal bracket 2 gang stud mount | EA | \$6.88 | \$0.69 | - | 30 |
| EA143/3W | Metal bracket 3 gang stud mount | EA | \$8.03 | \$0.80 | - | 20 |
| EA503/2W | Metal render bracket 2 gang stud mount | EA | \$10.53 | \$1.05 | - | 30 |
| EA503/3W | Metal render bracket 3 gang stud mount | EA | \$11.70 | \$1.17 | - | 30 |



New product



Energy Saving products

More info available.
See technical pages

Coming soon



Product to be discontinued

Whilst most items are stock lines some products are made to order. UoM = Unit Of Measure.
Prices are effective 1 June 2017 and are subject to change without notice. Trade prices exclude GST.



EA751



EM910RPWE



EMCCWE



EA920PMAWE



EADIMKNOBWE



EAFANKNOBWE

| Cat.Nos | | UoM | Trade price \$ | GST \$ | Box qty | Carton qty |
|--------------------------------|--|-----|----------------|--------|---------|------------|
| Shrouds | | | | | | |
| EA751 | Shroud for panel mount | EA | \$5.75 | \$0.58 | 10 | 120 |
| Cable retainers | | | | | | |
| EM910RPWE | Plug & cable retainer 1 module white | EA | \$21.67 | \$2.17 | 10 | 120 |
| Cord clamps | | | | | | |
| EMCCWE | Cord clamp white | EA | \$7.60 | \$0.76 | 10 | 120 |
| EMCCUG | Cord clamp urban grey | EA | \$10.72 | \$1.07 | 10 | 120 |
| EMCCBL | Cord clamp black | EA | \$7.60 | \$0.76 | 10 | 120 |
| Dimmer knobs | | | | | | |
| EADIMKNOBWE | Dimmer knob white pk of 5 | EA | \$21.55 | \$2.16 | 10 | 120 |
| EADIMKNOBUG | Dimmer knob urban grey pk of 5 | EA | \$24.67 | \$2.47 | 10 | 120 |
| EADIMKNOBBL | Dimmer knob black pk of 5 | EA | \$21.55 | \$2.16 | 10 | 120 |
| Fan controller knobs | | | | | | |
| EAFANKNOBWE | Fan knob white pk of 5 | EA | \$20.04 | \$2.00 | 10 | 120 |
| EAFANKNOBUG | Fan knob urban grey pk of 5 | EA | \$23.16 | \$2.32 | 10 | 120 |
| EAFANKNOBBL | Fan knob black pk of 5 | EA | \$8.32 | \$0.83 | 10 | 120 |
| Panel adaptor | | | | | | |
| EA910PMAWE | Adaptor panel mount 1 module white | EA | \$3.80 | \$0.38 | 10 | 120 |
| EA920PMAWE | Adaptor panel mount 2 module white | EA | \$4.81 | \$0.48 | 10 | 120 |
| Mechanism retention kit | | | | | | |
| EAPWDSCREW | Mechanism retention kit for public works department 1-4 gang white | EA | \$6.91 | \$0.69 | 10 | 120 |
| EAPWD5GKIT | Mechanism retention kit for public works department 5 gang white | EA | \$12.50 | \$1.25 | 10 | 120 |
| EAPWD6GKIT | Mechanism retention kit for public works department 6 gang white | EA | \$33.26 | \$3.33 | 10 | 120 |
| Key fob | | | | | | |
| EAKEYFOB | Key fob plastic white | EA | \$42.71 | \$4.27 | 10 | 120 |
| Paint cover | | | | | | |
| EAPP | Paint cover plastic transparent | EA | \$0.15 | \$0.02 | 50 | 500 |



New product



Energy Saving products

More info available.
See technical pages

Coming soon



Product to be discontinued

Excel Life Medical

Switches



EC770/1CAWE



EC770/4CAWE



EC770/2HCAWE

| Cat.Nos | Vertical switches | UoM | Trade price \$ | GST \$ | Box qty | Carton qty |
|-----------------|---|-----|----------------|--------|---------|------------|
| | Rocker switches - Single Pole Double Throw (SPDT) - antimicrobial & chemical resistant | | | | | |
| EC770/1CAWE | Switch 1 gang 16AX 240V a.c. white | EA | \$8.88 | \$0.89 | 10 | 120 |
| EC770/2CAWE | Switch 2 gang 16AX 240V a.c. white | EA | \$14.44 | \$1.44 | 10 | 120 |
| EC770/3CAWE | Switch 3 gang 16AX 240V a.c. white | EA | \$27.17 | \$2.72 | 10 | 120 |
| EC770/4CAWE | Switch 4 gang 16AX 240V a.c. white | EA | \$42.38 | \$4.24 | 10 | 120 |
| | Horizontal switches | | | | | |
| | Rocker switches - Single Pole Double Throw (SPDT) - antimicrobial & chemical resistant | | | | | |
| EC770/1HCAWE | Switch 1 gang 16AX 240V a.c. white | EA | \$8.88 | \$0.89 | 10 | 120 |
| EC770/2HCAWE | Switch 2 gang 16AX 240V a.c. white | EA | \$14.44 | \$1.44 | 10 | 120 |
| EC770/3HCAWE | Switch 3 gang 16AX 240V a.c. white | EA | \$27.17 | \$2.72 | 10 | 120 |
| EC770/4HCAWE | Switch 4 gang 16AX 240V a.c. white | EA | \$42.38 | \$4.24 | 10 | 120 |
| | Spring return - Single Pole Double Throw (SPDT) - antimicrobial & chemical resistant | | | | | |
| EC770XPRESSCAWE | Push-button switch "Press" engraved 1 gang 16A 240V a.c. white | EA | \$15.48 | \$1.55 | 10 | 120 |

THE ANTIMICROBIAL ADVANTAGE



The antimicrobial advantage in the Excel Life Medical range stems from the material construction based on silver ions - widely recognised as having antimicrobial properties that contribute to the reduction of undesired microorganisms.

This technology reduces the risk of proliferation of bacteria without building antibiotic resistance, and together with standard infection control practices assures optimum hygiene.

The Excel Life Medical range has been tested by an independent TGA accredited laboratory to JIS Z 2801:2010 and proven to be an effective antibacterial agent.

The results demonstrated a kill rate against Escherichia Coli and Staphylococcus Aureus between 99.72% and 99.9999%. Look for products with the antimicrobial symbol.

*Please refer to technical data sheets for detailed information or visit www.legrand.com.au



New product



Energy Saving products



More info available. See technical pages



Coming soon



Product to be discontinued



EC787CAWE



EC787NIDCARD



EC787/15NCAWE



EC787CABE



EC777CAWE



EC777NIDCABU

| Cat.Nos | Horizontal powerpoints | UoM | Trade price \$ | GST \$ | Box qty | Carton qty |
|---------------|--|----------|----------------|--------|---------|------------|
| | Single powerpoints - "RCD protected" engraved - antimicrobial & chemical resistant | | | | | |
| EC787CAWE | Powerpoint 1 gang 10A 240V a.c. white | EA | \$11.58 | \$1.16 | 10 | 120 |
| EC787CARD | Powerpoint 1 gang 10A 240V a.c. red | EA | \$12.75 | \$1.28 | 10 | 120 |
| EC787CABU | Powerpoint 1 gang 10A 240V a.c. blue | EA | \$12.75 | \$1.28 | 10 | 120 |
| EC787XCAWE | Powerpoint 1 gang 10A 240V a.c. with extra function hole white | EA | \$21.89 | \$2.19 | 10 | 120 |
| EC787NCAWE | Powerpoint 1 gang 10A 240V a.c. with LED "power available" white | EA | \$35.28 | \$3.53 | 10 | 120 |
| EC787NCARD | Powerpoint 1 gang 10A 240V a.c. with LED "power available" red | EA | \$37.04 | \$3.70 | 10 | 120 |
| EC787NCABU | Powerpoint 1 gang 10A 240V a.c. with LED "power available" blue | EA | \$37.04 | \$3.70 | 10 | 120 |
| EC787NIDCAWE | Powerpoint 1 gang 10A 240V a.c. with LED "power available" & circuit ID white | EA | \$37.64 | \$3.76 | 10 | 120 |
| EC787NIDCARD | Powerpoint 1 gang 10A 240V a.c. with LED "power available" & circuit ID red | EA | \$39.54 | \$3.95 | 10 | 120 |
| EC787NIDCABU | Powerpoint 1 gang 10A 240V a.c. with LED "power available" & circuit ID blue | EA | \$39.54 | \$3.95 | 10 | 120 |
| EC787/15CAWE | Powerpoint 1 gang 15A 240V a.c. white | EA | \$23.91 | \$2.39 | 10 | 120 |
| EC787/15CARD | Powerpoint 1 gang 15A 240V a.c. red | EA | \$25.12 | \$2.51 | 10 | 120 |
| EC787/15CABU | Powerpoint 1 gang 15A 240V a.c. blue | EA | \$25.12 | \$2.51 | 10 | 120 |
| EC787/15NCAWE | Powerpoint 1 gang 15A 240V a.c. with LED "power available" white | EA | \$36.95 | \$3.70 | 10 | 120 |
| EC787/15NCARD | Powerpoint 1 gang 15A 240V a.c. with LED "power available" red | EA | \$38.77 | \$3.88 | 10 | 120 |
| EC787/15NCABU | Powerpoint 1 gang 15A 240V a.c. with LED "power available" blue | EA | \$38.77 | \$3.88 | 10 | 120 |
| | Cleaner single powerpoints - "Cleaning purposes only" engraved - antimicrobial & chemical resistant | | | | | |
| EC787CABE | Powerpoint 1 gang 10A 240V a.c. beige | EA | \$12.75 | \$1.28 | 10 | 120 |
| EC787IDCABE | Powerpoint 1 gang 10A 240V a.c. with circuit ID beige | EA | \$15.12 | \$1.51 | 10 | 120 |
| EC787/15CABE | Powerpoint 1 gang 15A 240V a.c. beige | EA | \$25.12 | \$2.51 | 10 | 120 |
| | Double powerpoints - "RCD protected" engraved - antimicrobial & chemical resistant | | | | | |
| EC777CAWE | Powerpoint 2 gang 10A 240V a.c. white | EA | \$18.62 | \$1.86 | 10 | 120 |
| EC777CARD | Powerpoint 2 gang 10A 240V a.c. red | EA | \$20.11 | \$2.01 | 10 | 120 |
| EC777CABU | Powerpoint 2 gang 10A 240V a.c. blue | EA | \$20.11 | \$2.01 | 10 | 120 |
| EC777XCAWE | Powerpoint 2 gang 10A 240V a.c. with extra function hole white | EA | \$35.05 | \$3.50 | 10 | 120 |
| EC777XCARD | Powerpoint 2 gang 10A 240V a.c. with extra function hole red | N | \$37.34 | \$3.73 | 10 | 120 |
| EC777XCABU | Powerpoint 2 gang 10A 240V a.c. with extra function hole blue | N | \$37.34 | \$3.73 | 10 | 120 |
| EC777NCAWE | Powerpoint 2 gang 10A 240V a.c. with LED "power available" white | EA | \$44.86 | \$4.49 | 10 | 120 |
| EC777NCARD | Powerpoint 2 gang 10A 240V a.c. with LED "power available" red | EA | \$47.13 | \$4.71 | 10 | 120 |
| EC777NCABU | Powerpoint 2 gang 10A 240V a.c. with LED "power available" blue | EA | \$47.13 | \$4.71 | 10 | 120 |
| EC777NIDCAWE | Powerpoint 2 gang 10A 240V a.c. with LED "power available" & circuit ID white | EA | \$47.23 | \$4.72 | 10 | 120 |
| EC777NIDCARD | Powerpoint 2 gang 10A 240V a.c. with LED "power available" & circuit ID red | EA | \$49.60 | \$4.96 | 10 | 120 |
| EC777NIDCABU | Powerpoint 2 gang 10A 240V a.c. with LED "power available" & circuit ID blue | EA | \$49.60 | \$4.96 | 10 | 120 |



New product



Energy Saving products



More info available. See technical pages



Coming soon



Product to be discontinued

Excel Life Medical

Powerpoints



EC777CABE



EC777EL10CAWE



EC777EL10IDCAWE



ECV777NCAWE



ECV787NCARD



ECV787/15NCAWE

| Cat.Nos | | UoM | Trade price \$ | GST \$ | Box qty | Carton qty |
|--|---|-----|----------------|---------|---------|------------|
| Horizontal powerpoints | | | | | | |
| Cleaners double powerpoints - "Cleaning purposes only" engraved - antimicrobial & chemical resistant | | | | | | |
| EC777CABE | Powerpoint 2 gang 10A 240V a.c. beige | EA | \$20.11 | \$2.01 | 10 | 120 |
| EC777IDCABE | Powerpoint 2 gang with circuit ID 10A 240V a.c. beige | EA | \$22.46 | \$2.25 | 10 | 120 |
| RCD protected double powerpoints - with power available & supplied LEDs - "RCD protected" engraved - antimicrobial & chemical resistant | | | | | | |
| EC777EL10CAWE | Powerpoint 2 gang 10A 240V a.c. RCD 10mA white | EA | \$219.86 | \$21.99 | 2 | 24 |
| EC777EL10CARD | Powerpoint 2 gang 10A 240V a.c. RCD 10mA red | EA | \$230.89 | \$23.09 | 2 | 24 |
| EC777EL10CABU | Powerpoint 2 gang 10A 240V a.c. RCD 10mA blue | EA | \$230.89 | \$23.09 | 2 | 24 |
| EC777EL10IDCAWE | Powerpoint 2 gang 10A 240V a.c. RCD 10mA with circuit ID white | EA | \$222.27 | \$22.23 | 2 | 24 |
| EC777EL10IDCARD | Powerpoint 2 gang 10A 240V a.c. RCD 10mA with circuit ID red | EA | \$233.48 | \$23.35 | 2 | 24 |
| EC777EL10IDCABU | Powerpoint 2 gang 10A 240V a.c. RCD 10mA with circuit ID blue | EA | \$233.48 | \$23.35 | 2 | 24 |
| EC777EL30CAWE | Powerpoint 2 gang 10A 240V a.c. RCD 30mA white | EA | \$181.02 | \$18.10 | 2 | 24 |
| Cleaners RCD protected double powerpoints - "Cleaning purposes only" engraved - antimicrobial & chemical resistant | | | | | | |
| EC777EL10CABE | Powerpoint 2 gang 10A 240V a.c. RCD 10mA beige | EA | \$218.85 | \$21.88 | 2 | 24 |
| EC777EL10IDCABE | Powerpoint 2 gang 10A 240V a.c. RCD 10mA with circuit ID beige | EA | \$233.48 | \$23.35 | 2 | 24 |
| Vertical powerpoints | | | | | | |
| Single powerpoints - "RCD protected" engraved - antimicrobial & chemical resistant | | | | | | |
| ECV787CAWE | Powerpoint 1 gang 10A 240V a.c. white | EA | \$19.58 | \$1.96 | 10 | 120 |
| ECV787XCAWE | Powerpoint 1 gang 10A 240V a.c. with extra function hole white | EA | \$38.27 | \$3.83 | 10 | 120 |
| ECV787NCAWE | Powerpoint 1 gang 10A 240V a.c. with LED "power available" white | EA | \$47.33 | \$4.73 | 10 | 120 |
| ECV787NCARD | Powerpoint 1 gang 10A 240V a.c. with LED "power available" red | EA | \$49.69 | \$4.97 | 10 | 120 |
| ECV787NCABU | Powerpoint 1 gang 10A 240V a.c. with LED "power available" blue | EA | \$49.69 | \$4.97 | 10 | 120 |
| ECV787NIDCAWE | Powerpoint 1 gang 10A 240V a.c. with LED "power available" & circuit ID white | EA | \$49.70 | \$4.97 | 10 | 120 |
| ECV787NIDCARD | Powerpoint 1 gang 10A 240V a.c. with LED "power available" & circuit ID red | EA | \$52.16 | \$5.22 | 10 | 120 |
| ECV787NIDCABU | Powerpoint 1 gang 10A 240V a.c. with LED "power available" & circuit ID blue | EA | \$52.16 | \$5.22 | 10 | 120 |
| ECV787/15NCAWE | Powerpoint 1 gang 15A 240V a.c. with LED "power available" white | EA | \$51.20 | \$5.12 | 10 | 120 |
| ECV787/15NCARD | Powerpoint 1 gang 15A 240V a.c. with LED "power available" red | EA | \$53.77 | \$5.38 | 10 | 120 |
| ECV787/15NCABU | Powerpoint 1 gang 15A 240V a.c. with LED "power available" blue | EA | \$53.77 | \$5.38 | 10 | 120 |
| Double powerpoints - "RCD protected" engraved - antimicrobial & chemical resistant | | | | | | |
| ECV777CAWE | Powerpoint 2 gang 10A 240V a.c. white | EA | \$31.35 | \$3.14 | 10 | 120 |
| ECV777XCAWE | Powerpoint 2 gang 10A 240V a.c. with extra function hole white | EA | \$58.38 | \$5.84 | 10 | 120 |
| ECV777NCAWE | Powerpoint 2 gang 10A 240V a.c. with LED "power available" white | EA | \$61.51 | \$6.15 | 10 | 120 |
| ECV777NCARD | Powerpoint 2 gang 10A 240V a.c. with LED "power available" red | EA | \$64.57 | \$6.46 | 10 | 120 |
| ECV777NCABU | Powerpoint 2 gang 10A 240V a.c. with LED "power available" blue | EA | \$64.57 | \$6.46 | 10 | 120 |



New product



Energy Saving products



More info available. See technical pages



Coming soon



Product to be discontinued



ECEL10N2IDCAWE



ECEES/1GCAWE



EM770CARED



EC770/1GPLCAWE



EC770/3GPLCAWE

| Cat.Nos | RCD plates 10mA Vertical - with power available LED - antimicrobial & chemical resistant | UoM | Trade price \$ | GST \$ | Box qty | Carton qty |
|---|--|-----|----------------|---------|---------|------------|
| ECEL10N2CAWE | RCD switch 10mA white | EA | \$202.28 | \$20.23 | 2 | 24 |
| ECEL10N2CARD | RCD switch 10mA red | EA | \$222.51 | \$22.25 | 2 | 24 |
| ECEL10N2CABU | RCD switch 10mA blue | EA | \$222.51 | \$22.25 | 2 | 24 |
| ECEL10N2IDCAWE | RCD switch 10mA with circuit ID white | EA | \$204.07 | \$20.41 | 2 | 24 |
| ECEL10N2IDCARD | RCD switch 10mA with circuit ID red | EA | \$224.30 | \$22.43 | 2 | 24 |
| ECEL10N2IDCABU | RCD switch 10mA with circuit ID blue | EA | \$224.30 | \$22.43 | 2 | 24 |
| RCD plates 10mA Horizontal - with power available LED - antimicrobial & chemical resistant | | | | | | |
| ECEL10HN2IDCAWE | RCD switch 10mA with circuit ID white N | EA | \$204.07 | \$20.41 | 2 | 24 |
| ECEL10HN2IDCARD | RCD switch 10mA with circuit ID red N | EA | \$215.47 | \$21.55 | 2 | 24 |
| ECEL10HN2IDCABU | RCD switch 10mA with circuit ID blue N | EA | \$215.47 | \$21.55 | 2 | 24 |
| Earth stud (node) - antimicrobial & chemical resistant | | | | | | |
| ECEES/1GCAWE | Equipotential earth stud outlet 1 gang white | EA | \$41.93 | \$4.19 | 10 | 120 |
| ECEES/2GCAWE | Equipotential earth stud outlet 2 gang white | EA | \$71.69 | \$7.17 | 10 | 120 |
| Switch mechanisms - Single Pole Double Throw (SPDT) - antimicrobial & chemical resistant | | | | | | |
| EM770CAWE | Switch mech. 2 way 16AX 240V a.c. white | EA | \$7.81 | \$0.78 | 10 | 120 |
| EM770CARED | Switch mech. 2 way 16AX 240V a.c. red | EA | \$8.04 | \$0.80 | 10 | 120 |
| Grid & plates - antimicrobial & chemical resistant | | | | | | |
| EC770/1GPLCAWE | Grid & plate 1 gang white | EA | \$4.66 | \$0.47 | 10 | 120 |
| EC770/2GPLCAWE | Grid & plate 2 gang white | EA | \$4.66 | \$0.47 | 10 | 120 |
| EC770/3GPLCAWE | Grid & plate 3 gang white | EA | \$4.66 | \$0.47 | 10 | 120 |
| EC770/4GPLCAWE | Grid & plate 4 gang white | EA | \$4.66 | \$0.47 | 10 | 120 |
| EC770/5GPLCAWE | Grid & plate 5 gang white | EA | \$4.66 | \$0.47 | 10 | 120 |
| EC770/6GPLCAWE | Grid & plate 6 gang white | EA | \$4.66 | \$0.47 | 10 | 120 |
| EC770/0GPLCAWE | Grid & plate blank white | EA | \$4.66 | \$0.47 | 10 | 120 |
| Audio visual RCD alarm | | | | | | |
| ECVAVALWE | Audio & visual RCD alarm 240V a.c. white N | EA | \$196.75 | \$19.68 | - | - |
| Signs | | | | | | |
| ECCPASIGN | Cardiac protected area sign 200x90mm green N | EA | \$30.19 | \$3.02 | - | - |
| ECBPASIGN | Body protected area sign 200x90mm green N | EA | \$30.19 | \$3.02 | - | - |



New product



Energy Saving products



More info available. See technical pages



Coming soon



Product to be discontinued

Excel Life Medical

Coverplates



EA3470PLSS



ECGAS1GPLCAWE



EAEPJUNCTION



EAEPNODE

| Cat.Nos | | UoM | Trade price \$ | GST \$ | Box qty | Carton qty |
|--|--|-----|----------------|---------|---------|------------|
| Horizontal coverplates | | | | | | |
| Plastic coverplates - antimicrobial & chemical resistant | | | | | | |
| ECCWPLCAWE | Common series coverplate 1 gang white | EA | \$3.39 | \$0.34 | 10 | 120 |
| Stainless steel coverplates - suitable for standard wall boxes | | | | | | |
| EA270PLSS | 2 gang 70mm spacing stainless steel | EA | \$58.07 | \$5.81 | - | 10 |
| EA370PLSS | 3 gang 70mm spacing stainless steel | EA | \$60.09 | \$6.01 | - | 10 |
| EA470PLSS | 4 gang 70mm spacing stainless steel | EA | \$62.11 | \$6.21 | - | 10 |
| EA2270PLSS | 2+2 gang 70mm spacing stainless steel | EA | \$65.48 | \$6.55 | - | 10 |
| EA2370PLSS | 2+3 gang 70mm spacing stainless steel | EA | \$68.50 | \$6.85 | - | 10 |
| EA3370PLSS | 3+3 gang 70mm spacing stainless steel | EA | \$72.02 | \$7.20 | - | 10 |
| EA3470PLSS | 3+4 gang 70mm spacing stainless steel | EA | \$75.94 | \$7.59 | - | 10 |
| Gas outlets stainless steel coverplates | | | | | | |
| EA2100PLSS | 2 gang 100mm spacing stainless steel | EA | \$60.09 | \$6.01 | - | 10 |
| EA3100PLSS | 3 gang 100mm spacing stainless steel | EA | \$62.11 | \$6.21 | - | 10 |
| Vertical coverplates | | | | | | |
| Gas outlet plastic coverplates - antimicrobial & chemical resistant | | | | | | |
| ECGAS1GPLCAWE | 1 gang white suitable for Hoslab gas | EA | \$13.76 | \$1.38 | 10 | 120 |
| ECGAS2GPLCAWE | 2 gang with scavenge white suitable for Hoslab gas | EA | \$13.76 | \$1.38 | 10 | 120 |
| ECGAS3GPLCAWE | 3 gang white suitable for BOC gas | EA | \$13.76 | \$1.38 | 10 | 120 |
| ECGAS4GPLCAWE | 4 gang with scavenge white suitable for BOC gas | EA | \$13.76 | \$1.38 | 10 | 120 |
| Equipotential boxes | | | | | | |
| EAEPJUNCTION | Equipotential box with earth terminal and stainless steel coverplate | EA | \$360.07 | \$36.01 | - | - |
| EAEPNODE | Equipotential box kit with earth terminal, earth stud & stainless steel coverplate | EA | \$379.61 | \$37.96 | - | - |
| Standard recessed wall boxes | | | | | | |
| EABOX270 | 2 gang 70mm spacing 150x150x65 metal | EA | \$69.41 | \$6.94 | - | - |
| EABOX370 | 3 gang 70mm spacing 225x150x65 metal | EA | \$78.73 | \$7.87 | - | - |
| EABOX470 | 4 gang 70mm spacing 300x150x65 metal | EA | \$88.16 | \$8.82 | - | - |
| EABOX2100 | 2 gang 100mm spacing 225x150x65 metal | EA | \$69.41 | \$6.94 | - | - |
| EABOX3100 | 3 gang 100mm spacing 300x150x65 metal | EA | \$78.73 | \$7.87 | - | - |
| Panel adaptor | | | | | | |
| EA910PMAWE | Adaptor panel mount 1 module white panel thickness 0.7 to 3mm | EA | \$3.80 | \$0.38 | 10 | 120 |
| EA920PMAWE | Adaptor panel mount 2 module white panel thickness 0.7 to 3mm | EA | \$4.81 | \$0.48 | 10 | 120 |



New product



Energy Saving products

More info available.
See technical pages

Coming soon



Product to be discontinued

Whilst most items are stock lines some products are made to order. UoM = Unit Of Measure.
Prices are effective 1 June 2017 and are subject to change without notice. Trade prices exclude GST.



XL770/1WE



XL770/1BL



XL770/2CR



XL770/3BL



XLP770/4WEWE



XL770/5WE

| Cat.Nos | Vertical switches | UoM | Trade price \$ | GST \$ | Box qty | Carton qty |
|--|---|-----|----------------|--------|---------|------------|
| Rocker switches - Single Pole Double Throw (SPDT) | | | | | | |
| XL770/1WE | Switch 1 gang 2 way 10A 240V a.c. white | EA | \$10.85 | \$1.08 | 10 | 160 |
| XLP770/1WEWE | Switch 1 gang 2 way 10A 240V a.c. gloss white | EA | \$10.85 | \$1.08 | 10 | 160 |
| XL770/1BL | Switch 1 gang 2 way 10A 240V a.c. black | EA | \$10.85 | \$1.08 | 10 | 160 |
| XLP770/1BLBL | Switch 1 gang 2 way 10A 240V a.c. gloss black | EA | \$10.85 | \$1.08 | 10 | 160 |
| XL770/1CR | Switch 1 gang 2 way 10A 240V a.c. cream | EA | \$10.85 | \$1.08 | 10 | 160 |
| XLP770/1CRCR | Switch 1 gang 2 way 10A 240V a.c. gloss cream | EA | \$10.85 | \$1.08 | 10 | 160 |
| XL770/1WEMS | Switch 1 gang 2 way 10A 240V a.c. white/matt silver | EA | \$15.87 | \$1.59 | 10 | 160 |
| XL770/1BLMS | Switch 1 gang 2 way 10A 240V a.c. black/matt silver | EA | \$15.87 | \$1.59 | 10 | 160 |
| XL770/2WE | Switch 2 gang 2 way 10A 240V a.c. white | EA | \$17.53 | \$1.75 | 10 | 160 |
| XLP770/2WEWE | Switch 2 gang 2 way 10A 240V a.c. gloss white | EA | \$17.53 | \$1.75 | 10 | 160 |
| XL770/2BL | Switch 2 gang 2 way 10A 240V a.c. black | EA | \$17.53 | \$1.75 | 10 | 160 |
| XLP770/2BLBL | Switch 2 gang 2 way 10A 240V a.c. gloss black | EA | \$17.53 | \$1.75 | 10 | 160 |
| XL770/2CR | Switch 2 gang 2 way 10A 240V a.c. cream | EA | \$17.53 | \$1.75 | 10 | 160 |
| XLP770/2CRCR | Switch 2 gang 2 way 10A 240V a.c. gloss cream | EA | \$17.53 | \$1.75 | 10 | 160 |
| XL770/3WE | Switch 3 gang 2 way 10A 240V a.c. white | EA | \$30.40 | \$3.04 | 10 | 160 |
| XLP770/3WEWE | Switch 3 gang 2 way 10A 240V a.c. gloss white | EA | \$30.40 | \$3.04 | 10 | 160 |
| XL770/3BL | Switch 3 gang 2 way 10A 240V a.c. black | EA | \$30.40 | \$3.04 | 10 | 160 |
| XLP770/3BLBL | Switch 3 gang 2 way 10A 240V a.c. gloss black | EA | \$30.40 | \$3.04 | 10 | 160 |
| XL770/3CR | Switch 3 gang 2 way 10A 240V a.c. cream | EA | \$30.40 | \$3.04 | 10 | 160 |
| XLP770/3CRCR | Switch 3 gang 2 way 10A 240V a.c. gloss cream | EA | \$30.40 | \$3.04 | 10 | 160 |
| XL770/4WE | Switch 4 gang 2 way 10A 240V a.c. white | EA | \$47.39 | \$4.74 | 10 | 160 |
| XLP770/4WEWE | Switch 4 gang 2 way 10A 240V a.c. gloss white | EA | \$47.39 | \$4.74 | 10 | 160 |
| XL770/4BL | Switch 4 gang 2 way 10A 240V a.c. black | EA | \$47.39 | \$4.74 | 10 | 160 |
| XLP770/4BLBL | Switch 4 gang 2 way 10A 240V a.c. gloss black | EA | \$47.39 | \$4.74 | 10 | 160 |
| XL770/4CR | Switch 4 gang 2 way 10A 240V a.c. cream | EA | \$47.39 | \$4.74 | 10 | 160 |
| XLP770/4CRCR | Switch 4 gang 2 way 10A 240V a.c. gloss cream | EA | \$47.39 | \$4.74 | 10 | 160 |
| XL770/5WE | Switch 5 gang 2 way 10A 240V a.c. white | EA | \$66.96 | \$6.70 | 10 | 160 |
| XLP770/5WEWE | Switch 5 gang 2 way 10A 240V a.c. gloss white | EA | \$66.96 | \$6.70 | 10 | 160 |
| XL770/5BL | Switch 5 gang 2 way 10A 240V a.c. black | EA | \$66.96 | \$6.70 | 10 | 160 |
| XLP770/5BLBL | Switch 5 gang 2 way 10A 240V a.c. gloss black | EA | \$66.96 | \$6.70 | 10 | 160 |
| XL770/5CR | Switch 5 gang 2 way 10A 240V a.c. cream | EA | \$66.96 | \$6.70 | 10 | 160 |
| XLP770/5CRCR | Switch 5 gang 2 way 10A 240V a.c. gloss cream | EA | \$66.96 | \$6.70 | 10 | 160 |
| XL770/6WE | Switch 6 gang 2 way 10A 240V a.c. white | EA | \$78.78 | \$7.88 | 10 | 160 |



New product



Energy Saving products



More info available.
See technical pages



Coming soon



Product to be discontinued

Excel

Switches



XL770/6CR



XLP1036PWEWE



XLW770V1WE



XL400TBL

| Cat.Nos | | UoM | Trade price \$ | GST \$ | Box qty | Carton qty |
|--|--|-----|----------------|---------|---------|------------|
| Vertical switches | | | | | | |
| Rocker switches - Single Pole Double Throw (SPDT) | | | | | | |
| XLP770/6WEWE | Switch 6 gang 2 way 10A 240V a.c. gloss white | EA | \$78.78 | \$7.88 | 10 | 160 |
| XL770/6BL | Switch 6 gang 2 way 10A 240V a.c. black | EA | \$78.78 | \$7.88 | 10 | 160 |
| XLP770/6BLBL | Switch 6 gang 2 way 10A 240V a.c. gloss black | EA | \$78.78 | \$7.88 | 10 | 160 |
| XL770/6CR | Switch 6 gang 2 way 10A 240V a.c. cream | EA | \$78.78 | \$7.88 | 10 | 160 |
| XLP770/6CRCR | Switch 6 gang 2 way 10A 240V a.c. gloss cream | EA | \$78.78 | \$7.88 | 10 | 160 |
| Heavy duty rocker switches | | | | | | |
| XL1036WE | Switch 1 gang 2 way 40A 240V a.c. white | EA | \$39.67 | \$3.97 | 10 | 160 |
| XLP1036WEWE | Switch 1 gang 2 way 40A 240V a.c. gloss white | EA | \$39.67 | \$3.97 | 10 | 160 |
| XL1036BL | Switch 1 gang 2 way 40A 240V a.c. black | EA | \$39.67 | \$3.97 | 10 | 160 |
| XL1036PWE | Switch 1 gang 2 way double pole 40A 240V a.c. white | EA | \$48.44 | \$4.84 | 10 | 160 |
| XLP1036PWEWE | Switch 1 gang 2 way double pole 40A 240V a.c. gloss white | EA | \$48.44 | \$4.84 | 10 | 160 |
| XL1036PBL | Switch 1 gang 2 way double pole 40A 240V a.c. black | EA | \$48.44 | \$4.84 | 10 | 160 |
| XLP1036PBLBL | Switch 1 gang 2 way double pole 40A 240V a.c. gloss black | EA | \$48.44 | \$4.84 | 10 | 160 |
| XL1036NWE | Switch 1 gang 2 way 40A 240V a.c. with neon white | EA | \$54.43 | \$5.44 | 10 | 160 |
| XLP1036NWEWE | Switch 1 gang 2 way 40A 240V a.c. with neon gloss white | EA | \$54.43 | \$5.44 | 10 | 160 |
| XL1036PNWE | Switch 1 gang 2 way double pole 40A 240V a.c. with neon white | EA | \$76.39 | \$7.64 | 10 | 160 |
| Weatherproof switches - Single Pole Double Throw (SPDT) | | | | | | |
| XLW770V1WE | Switch 1 gang 2 way IP56 10A 240V a.c. white | EA | \$31.06 | \$3.11 | 3 | 200 |
| XLPW770V1WEWE | Switch 1 gang 2 way IP56 10A 240V a.c. gloss white | EA | \$31.06 | \$3.11 | 3 | 200 |
| XLW770V1BL | Switch 1 gang 2 way IP56 10A 240V a.c. black | EA | \$31.06 | \$3.11 | 3 | 200 |
| XLW770V2WE | Switch 2 gang 2 way IP56 10A 240V a.c. white | EA | \$42.42 | \$4.24 | 3 | 200 |
| XLPW770V2WEWE | Switch 2 gang 2 way IP56 10A 240V a.c. gloss white | EA | \$42.42 | \$4.24 | 3 | 200 |
| XLW770V2BL | Switch 2 gang 2 way IP56 10A 240V a.c. black | EA | \$42.42 | \$4.24 | 3 | 200 |
| Rotary dimmers | | | | | | |
| XL250TWE | Rotary dimmer trailing edge 2 wire 250VA 240V a.c. white | EA | \$54.94 | \$5.49 | 3 | 108 |
| XLP250TWEWE | Rotary dimmer trailing edge 2 wire 250VA 240V a.c. gloss white | EA | \$54.94 | \$5.49 | 3 | 108 |
| XL250TBL | Rotary dimmer trailing edge 2 wire 250VA 240V a.c. black | EA | \$54.94 | \$5.49 | 3 | 108 |
| XL400TWE | Rotary dimmer trailing edge 2 wire 400VA 240V a.c. white | EA | \$83.83 | \$8.38 | 3 | 108 |
| XLP400TWEWE | Rotary dimmer trailing edge 2 wire 400VA 240V a.c. gloss white | EA | \$83.83 | \$8.38 | 3 | 108 |
| XL400TBL | Rotary dimmer trailing edge 2 wire 400VA 240V a.c. black | EA | \$83.83 | \$8.38 | 3 | 108 |
| XL400TCR | Rotary dimmer trailing edge 2 wire 400VA 240V a.c. cream | EA | \$83.83 | \$8.38 | 3 | 108 |
| XL700TWE | Rotary dimmer trailing edge 2 wire 700VA 240V a.c. white | EA | \$125.58 | \$12.56 | 3 | 108 |
| XLP700TWEWE | Rotary dimmer trailing edge 2 wire 700VA 240V a.c. gloss white | EA | \$125.58 | \$12.56 | 3 | 108 |



New product



Energy Saving products



More info available. See technical pages



Coming soon



Product to be discontinued

Whilst most items are stock lines some products are made to order. UoM = Unit Of Measure. Prices are effective 1 June 2017 and are subject to change without notice. Trade prices exclude GST.



XLP400LWEWE



XL2000ERCWE



XL700LWE



XL1000LWE



XL475/2



XL650ETWE

| Cat.Nos | | | UoM | Trade price \$ | GST \$ | Box qty | Carton qty |
|----------------|---|--|-----|----------------|---------|---------|------------|
| | Vertical switches | | | | | | |
| | Rotary dimmers | | | | | | |
| XL1000TWE | Rotary dimmer trailing edge 2 wire 1000VA 240V a.c. white | | EA | \$197.91 | \$19.79 | 3 | 108 |
| XLP1000TWEWE | Rotary dimmer trailing edge 2 wire 1000VA 240V a.c. gloss white | | EA | \$197.91 | \$19.79 | 3 | 108 |
| XL1000ERCWE | Rotary dimmer trailing edge 2 wire remote controlled 1000VA 240V a.c. white | | EA | \$263.01 | \$26.30 | 3 | 108 |
| XLP1000ERCWEWE | Rotary dimmer trailing edge 2 wire 1000VA 240V a.c. gloss white | | EA | \$263.01 | \$26.30 | 3 | 108 |
| XL2000ERCWE | Rotary dimmer trailing edge 2 wire remote controlled 2000VA 240V a.c. white | | EA | \$468.30 | \$46.83 | 3 | 108 |
| XLP2000ERCWEWE | Rotary dimmer trailing edge 2 wire remote controlled 2000VA 240V a.c. gloss white | | EA | \$468.30 | \$46.83 | 3 | 108 |
| XL250LWE | Rotary dimmer leading edge 2 wire 250VA 240V a.c. white | | EA | \$52.15 | \$5.22 | 3 | 108 |
| XLP250LWEWE | Rotary dimmer leading edge 2 wire 250VA 240V a.c. gloss white | | EA | \$52.15 | \$5.22 | 3 | 108 |
| XL250LBL | Rotary dimmer leading edge 2 wire 250VA 240V a.c. black | | EA | \$52.15 | \$5.22 | 3 | 108 |
| XL400LWE | Rotary dimmer leading edge 2 wire 400VA 240V a.c. white | | EA | \$71.12 | \$7.11 | 3 | 108 |
| XLP400LWEWE | Rotary dimmer leading edge 2 wire 400VA 240V a.c. gloss white | | EA | \$71.12 | \$7.11 | 3 | 108 |
| XL400LBL | Rotary dimmer leading edge 2 wire 400VA 240V a.c. black | | EA | \$71.12 | \$7.11 | 3 | 108 |
| XL400LCR | Rotary dimmer leading edge 2 wire 400VA 240V a.c. cream | | EA | \$71.12 | \$7.11 | 3 | 108 |
| XL700LWE | Rotary dimmer leading edge 2 wire 700VA 240V a.c. white | | EA | \$126.56 | \$12.66 | 3 | 108 |
| XLP700LWEWE | Rotary dimmer leading edge 2 wire 700VA 240V a.c. gloss white | | EA | \$126.56 | \$12.66 | 3 | 108 |
| XL1000LWE | Rotary dimmer leading edge 2 wire 1000VA 240V a.c. white | | EA | \$211.17 | \$21.12 | 3 | 108 |
| XLP1000LWEWE | Rotary dimmer leading edge 2 wire 1000VA 240V a.c. gloss white | | EA | \$211.17 | \$21.12 | 3 | 108 |
| | Rotary fan controllers | | | | | | |
| XL300FWE | Fan controller 300VA white | | EA | \$65.00 | \$6.50 | 3 | 64 |
| XLP300FWEWE | Fan controller 300VA gloss white | | EA | \$65.00 | \$6.50 | 3 | 64 |
| XL300FBL | Fan controller 300VA black | | EA | \$65.00 | \$6.50 | 3 | 64 |
| XL475/2 | Fan controller 3 speed 100VA 1.5µF+2.5µF capacitors white | | EA | \$72.35 | \$7.24 | 3 | 64 |
| XLP475/2WEWE | Fan controller 3 speed 100VA 1.5µF+2.5µF capacitors gloss white | | EA | \$72.35 | \$7.24 | 3 | 64 |
| XL650ETWE | Fan controller 3 speed 650VA Timer auto OFF after 2hrs white | | EA | \$152.27 | \$15.23 | 3 | 64 |

Excel

Switches



XL770TWE



XLTF770/1WE



XL770EL10N2WE



XL770/1HWE



XLP770/2HWWE

| Cat.Nos | | UoM | Trade price \$ | GST \$ | Box qty | Carton qty |
|--|---|-----|----------------|---------|---------|------------|
| Vertical switches | | | | | | |
| Time-delay switches | | | | | | |
| XL770TWE | Timer switch 500VA 240V a.c. white | EA | \$150.99 | \$15.10 | 3 | - |
| XLP770TWEWE | Timer switch 2 way 500VA 240V a.c. gloss white | EA | \$150.99 | \$15.10 | 3 | - |
| XLTD770/1WE | Timer 1/3/10mn 2 wire 600VA 240V a.c. white | EA | \$109.30 | \$10.93 | 3 | - |
| XLTF770/1WE | Fan time-delay 3/10/20mn 2 wire 600VA 240V a.c. white | EA | \$108.39 | \$10.84 | 3 | - |
| XLTX770/1AWE | Timer 1s-239hr push start / restart 2 wire 2400VA 240V a.c. white | EA | \$167.76 | \$16.78 | 3 | - |
| XLTX770/1NCWE | Timer 1s-239hr 3 wire 2400VA 240V a.c. NC contacts white | EA | \$127.25 | \$12.72 | 3 | - |
| XLTX770/1WE | Timer 1s-239hr push start / restart 3 wire 2400VA 240V a.c. white | EA | \$127.22 | \$12.72 | 3 | - |
| XLTX770/2AWE | Timer 1s-239hr 2 wire 2400VA 240V a.c. white | EA | \$167.76 | \$16.78 | 3 | - |
| XLTX770/2NCWE | Timer 1s-239hr push start / push stop 3 wire 2400VA 240V a.c. NC contacts white | EA | \$127.25 | \$12.72 | 3 | - |
| XLTX770/2WE | Timer 1s-239hr push start / push stop 3 wire 2400VA 240V a.c. white | EA | \$127.25 | \$12.72 | 3 | - |
| XLTX770/3WE | Repeat cycle timer 15s -24hr 3 wire 2400VA 240V a.c. white | EA | \$127.25 | \$12.72 | 3 | - |
| RCD protected switches | | | | | | |
| XL770EL10WE | Switch 240V a.c. with RCD 10mA white | EA | \$210.05 | \$21.00 | 10 | 100 |
| XL770EL10N1WE | Switch 240V a.c. with RCD & neon 10mA white | EA | \$217.26 | \$21.73 | 10 | 100 |
| XL770EL10N2WE | Switch 240V a.c. with RCD & 2 neons 10mA white | EA | \$231.72 | \$23.17 | 10 | 100 |
| XL770EL30WE | Switch 240V a.c. with RCD 30mA white | EA | \$185.43 | \$18.54 | 10 | 100 |
| Horizontal switches | | | | | | |
| Rocker switches - Single Pole Double Throw (SPDT) | | | | | | |
| XL770/1HWE | Switch 1 gang 2 way 10A 240V a.c. white | EA | \$10.85 | \$1.08 | 10 | 160 |
| XLP770/1HWWE | Switch 1 gang 2 way 10A 240V a.c. gloss white | EA | \$10.85 | \$1.08 | 10 | 160 |
| XL770/1HCR | Switch 1 gang 2 way 10A 240V a.c. cream | EA | \$10.85 | \$1.08 | 10 | 160 |
| XL770/1HBE | Switch 1 gang 2 way 10A 240V a.c. beige | EA | \$10.85 | \$1.08 | 10 | 160 |
| XL770/2HWE | Switch 2 gang 2 way 10A 240V a.c. white | EA | \$17.53 | \$1.75 | 10 | 160 |
| XLP770/2HWWE | Switch 2 gang 2 way 10A 240V a.c. gloss white | EA | \$17.53 | \$1.75 | 10 | 160 |
| XL770/2HCR | Switch 2 gang 2 way 10A 240V a.c. cream | EA | \$17.53 | \$1.75 | 10 | 160 |
| XL770/2HBE | Switch 2 gang 2 way 10A 240V a.c. beige | EA | \$17.53 | \$1.75 | 10 | 160 |
| XL770/3HWE | Switch 3 gang 2 way 10A 240V a.c. white | EA | \$30.40 | \$3.04 | 10 | 160 |
| XLP770/3HWWE | Switch 3 gang 2 way 10A 240V a.c. gloss white | EA | \$30.40 | \$3.04 | 10 | 160 |
| XL770/3HBE | Switch 3 gang 2 way 10A 240V a.c. beige | EA | \$30.40 | \$3.04 | 10 | 160 |
| XL770/4HWE | Switch 4 gang 2 way 10A 240V a.c. white | EA | \$47.39 | \$4.74 | 10 | 160 |
| XLP770/4HWWE | Switch 4 gang 2 way 10A 240V a.c. gloss white | EA | \$47.39 | \$4.74 | 10 | 160 |
| XL770/5HWE | Switch 5 gang 2 way 10A 240V a.c. white | EA | \$66.96 | \$6.70 | 10 | 160 |
| XLP770/5HWWE | Switch 5 gang 2 way 10A 240V a.c. gloss white | EA | \$66.96 | \$6.70 | 10 | 160 |
| XL770/6HWE | Switch 6 gang 2 way 10A 240V a.c. white | EA | \$78.78 | \$7.88 | 10 | 160 |
| XLP770/6HWWE | Switch 6 gang 2 way 10A 240V a.c. gloss white | EA | \$78.78 | \$7.88 | 10 | 160 |



New product



Energy Saving products

More info available.
See technical pages

Coming soon



Product to be discontinued

Whilst most items are stock lines some products are made to order. UoM = Unit Of Measure.
Prices are effective 1 June 2017 and are subject to change without notice. Trade prices exclude GST.



XLW770H1WE



XLW770H1BL



XL770THWE



XLA770/1WE



XLA770/2BL



XLA770/3CR

| Cat.Nos | | UoM | Trade price \$ | GST \$ | Box qty | Carton qty |
|--|---|-----|----------------|---------|---------|------------|
| Horizontal switches | | | | | | |
| Weatherproof switches - Single Pole Double Throw (SPDT) | | | | | | |
| XLW770H1WE | Switch horizontal 1 gang 2 way IP56 10A 240V a.c. white | EA | \$31.06 | \$3.11 | 3 | - |
| XLPW770H1WEWE | Switch horizontal 1 gang 2 way IP56 10A 240V a.c. gloss white | EA | \$31.06 | \$3.11 | 3 | - |
| XLW770H1BL | Switch horizontal 1 gang 2 way IP56 10A 240V a.c. black | EA | \$31.06 | \$3.11 | 3 | - |
| XLW770H2WE | Switch horizontal 2 gang 2 way IP56 10A 240V a.c. white | EA | \$42.42 | \$4.24 | 3 | - |
| XLW770H2BL | Switch horizontal 2 gang 2 way IP56 10A 240V a.c. black | EA | \$42.42 | \$4.24 | 3 | - |
| XLPW770H2WEWE | Switch horizontal 2 gang 2 way IP56 10A 240V a.c. gloss white | EA | \$42.42 | \$4.24 | 3 | - |
| Time-delay switches | | | | | | |
| XL770THWE | Timer switch 500VA 240V a.c. white | EA | \$150.99 | \$15.10 | 3 | - |
| XLP770THWEWE | Timer switch 1 gang 2 way 500VA 240V a.c. gloss white | EA | \$150.99 | \$15.10 | 3 | - |
| Architrave | | | | | | |
| Rocker switches - Single Pole Double Throw (SPDT) | | | | | | |
| XLA770/1WE | Architrave switch 1 gang 2 way 10A 240V a.c. white | EA | \$9.95 | \$1.00 | 10 | 160 |
| XLA770/1BL | Architrave switch 1 gang 2 way 10A 240V a.c. black | EA | \$9.95 | \$1.00 | 10 | 160 |
| XLA770/1CR | Architrave switch 1 gang 2 way 10A 240V a.c. cream | EA | \$9.95 | \$1.00 | 10 | 160 |
| XLA770/2WE | Architrave switch 2 gang 2 way 10A 240V a.c. white | EA | \$25.91 | \$2.59 | 10 | 320 |
| XLA770/2BL | Architrave switch 2 gang 2 way 10A 240V a.c. black | EA | \$25.91 | \$2.59 | 10 | 160 |
| XLA770/2CR | Architrave switch 2 gang 2 way 10A 240V a.c. cream | EA | \$25.91 | \$2.59 | 10 | 160 |
| XLA770/3WE | Architrave switch 3 gang 2 way 10A 240V a.c. white | EA | \$40.77 | \$4.08 | 10 | 160 |
| XLA770/3BL | Architrave switch 3 gang 2 way 10A 240V a.c. black | EA | \$40.77 | \$4.08 | 10 | 160 |
| XLA770/3CR | Architrave switch 3 gang 2 way 10A 240V a.c. cream | EA | \$40.77 | \$4.08 | 10 | 160 |
| XLA770/4WE | Architrave switch 4 gang 2 way 10A 240V a.c. white | EA | \$63.76 | \$6.38 | 10 | 160 |
| XLA770/4BL | Architrave switch 4 gang 2 way 10A 240V a.c. black | EA | \$63.76 | \$6.38 | 10 | 160 |
| XLA770/4CR | Architrave switch 4 gang 2 way 10A 240V a.c. cream | EA | \$63.76 | \$6.38 | 10 | 160 |

Excel

Switches



XLP924WEWE



XLP927WEWE



XLP940WEWE



XLP915WEWE



XLP914WEWE



XLP919WEWE

| Cat.Nos | Special application devices | UoM | Trade price \$ | GST \$ | Box qty | Carton qty |
|-------------------------------------|---|-----|----------------|---------|---------|------------|
| Hotel room indicators | | | | | | |
| XLP924WEWE | Room indicator white | EA | \$92.43 | \$9.24 | 5 | - |
| XLP925WEWE | Room control lamp and bell white | EA | \$53.23 | \$5.32 | 5 | - |
| Illuminated signs | | | | | | |
| XLP926WEWE | Illuminated sign white neon white | EA | \$53.23 | \$5.32 | 5 | - |
| XLP927WEWE | Illuminated sign blue neon white | EA | \$42.01 | \$4.20 | 5 | - |
| XLP928WEWE | Illuminated sign green/red neon white | EA | \$47.62 | \$4.76 | 5 | - |
| Skirting lights | | | | | | |
| XLP939WEWE | Skirting light permanent white | EA | \$64.43 | \$6.44 | 5 | - |
| XLP940WEWE | Skirting light PIR sensor and sound 230V a.c. white | EA | \$308.08 | \$30.81 | 5 | - |
| XLP941WEWE | Safety light (in case of power failure) white | EA | \$131.65 | \$13.16 | 5 | - |
| Automatic lights | | | | | | |
| XL632 | Automatic light switch vertical 2 way 600VA 240V a.c. manual override white | EA | \$99.30 | \$9.93 | 3 | - |
| XLP632WEWE | Automatic light switch vertical 2 way 600VA 240V a.c. manual override gloss white | EA | \$104.13 | \$10.41 | 3 | - |
| Buzzers | | | | | | |
| XLP917WEWE | Buzzer horizontal 240V a.c. gloss white | EA | \$109.22 | \$10.92 | 5 | - |
| XLP918WEWE | Buzzer horizontal electronic 12/24/48V a.c. gloss white | EA | \$154.07 | \$15.41 | 5 | - |
| Emergency switches | | | | | | |
| XLP915WEWE | Emergency stop horizontal mushroom 240V a.c. gloss white | EA | \$33.64 | \$3.36 | 5 | - |
| Movement sensor switches | | | | | | |
| XLP912WEWE | Movement sensor switch horizontal infrared 3 wire 1000W 240V a.c. white | EA | \$168.05 | \$16.80 | 5 | - |
| XLP913WEWE | Movement sensor switch horizontal infrared 2 wire 400W 240V a.c. white | EA | \$168.05 | \$16.80 | 5 | - |
| No touch switch | | | | | | |
| XLP914WEWE | No touch switch horizontal 240V a.c. white | EA | \$189.21 | \$18.92 | 5 | - |
| Shutter switches | | | | | | |
| XLP919WEWE | Roller blind switch vertical relay control 240V a.c. white | EA | \$53.23 | \$5.32 | 5 | - |
| XLP920WEWE | Roller blind switch vertical direct control 240V a.c. white | EA | \$53.23 | \$5.32 | 5 | - |
| Temperature control switches | | | | | | |
| XLP921WEWE | Thermostat vertical HVAC 240V a.c. white | EA | \$277.30 | \$27.73 | 5 | - |



New product



Energy Saving products



More info available.
See technical pages



Coming soon



Product to be discontinued

Whilst most items are stock lines some products are made to order. UoM = Unit Of Measure.
Prices are effective 1 June 2017 and are subject to change without notice. Trade prices exclude GST.



XL770KM1WE



XL770/1KLIOWE



XL770KT10WE

| Cat.Nos | Hospitality | UoM | Trade price \$ | GST \$ | Box qty | Carton qty |
|-------------------------|--|-----|----------------|---------|---------|------------|
| Keycard switches | | | | | | |
| XL770KM1WE | Keycard switch 2 x 20A 240V a.c. white | EA | \$200.31 | \$20.03 | 10 | - |
| XL770KM2WE | Keycard switch with 10A indep. switch 2 x 20A 240V a.c. white | EA | \$211.23 | \$21.12 | 10 | - |
| XL770KM3WE | Keycard switch with 10A indep. switch 2 x 20A 240V a.c. with base pocket neon white | EA | \$225.71 | \$22.57 | 10 | - |
| XL770KM7WE | Keycard switch 2 x 20A 240V a.c. with neon white | EA | \$198.14 | \$19.81 | 10 | - |
| XL770KM8WE | Keycard switch with 10A indep. switch 2 x 20A 240V a.c. with top pocket neon white | EA | \$211.23 | \$21.12 | 10 | - |
| XL770KM9WE | Keycard switch with 10A indep. switch with neon 2 x 20A 240V a.c. with top pocket neon white | EA | \$248.30 | \$24.83 | 10 | - |
| Keylock switches | | | | | | |
| XL770/1KLIOWE | Keylock switch 10A 240V a.c. removable ON & OFF position white | EA | \$110.23 | \$11.02 | 10 | - |
| XLP770/1KLIOWEW | Keylock switch 10A 240V a.c. removable ON & OFF position gloss white | EA | \$110.23 | \$11.02 | 10 | - |
| XL770/1KLOWE | Keylock switch 10A 240V a.c. removable OFF position white | EA | \$110.23 | \$11.02 | 10 | - |
| XLP770/1KLOWEWE | Keylock switch 10A 240V a.c. removable OFF position gloss white | EA | \$110.23 | \$11.02 | 10 | - |
| Keytag switches | | | | | | |
| XL770VCKT1 | Keytag switch 2 x 20A 240V a.c. in base pocket with neon white | EA | \$212.38 | \$21.24 | 10 | - |
| XL770VCKT10 | Keytag switch 3 x 20A 240V a.c. in top pocket white | EA | \$212.38 | \$21.24 | 10 | - |
| XL770VCKT12 | Keytag switch 10A indep. switch 3 x 20A 240V a.c. in top pocket with neon white | EA | \$254.07 | \$25.41 | 10 | - |
| XL770VCKT13 | Keytag switch 3 x 20A 240V a.c. in base pocket with neon white | EA | \$235.52 | \$23.55 | 10 | - |
| XL770VCKT14 | Keytag switch 4 x 20A 240V a.c. in base pocket white | EA | \$245.11 | \$24.51 | 10 | - |
| XL770VCKT15 | Keytag switch 3 x 20A 240V a.c. in top pocket with neon white | EA | \$235.52 | \$23.55 | 10 | - |
| XL770VCKT16 | Keytag switch 4 x 20A 240V a.c. in top pocket white | EA | \$245.11 | \$24.51 | 10 | - |
| XL770VCKT3 | Keytag switch 10A indep. switch 2 x 20A 240V a.c. in base pocket with neon white | EA | \$254.07 | \$25.41 | 10 | - |
| XL770VCKT4 | Keytag switch 3 x 20A 240V a.c. in base pocket white | EA | \$212.38 | \$21.24 | 10 | - |
| XL770VCKT5 | Keytag switch 10A indep. switch 3 x 20A 240V a.c. in base pocket white | EA | \$222.65 | \$22.26 | 10 | - |
| XL770VCKT6 | Keytag switch 10A indep. switch 3 x 20A 240V a.c. in base pocket with neon white | EA | \$254.07 | \$25.41 | 10 | - |
| XL770VCKT7 | Keytag switch 2 x 20A 240V a.c. in top pocket with neon white | EA | \$212.38 | \$21.24 | 10 | - |
| XL770VCKT8 | Keytag switch 10A indep. switch 2 x 20A 240V a.c. in top pocket with neon white | EA | \$222.65 | \$22.26 | 10 | - |
| XL770KT10WE | Keytag switch 3 x 20A 240V a.c. in top pocket white | EA | \$205.68 | \$20.57 | 10 | - |
| XL770KT11WE | Keytag switch 10A indep. switch 3 x 20A 240V a.c. in top pocket white | EA | \$215.60 | \$21.56 | 10 | - |
| XL770KT12WE | Keytag switch 10A indep. switch 3 x 20A 240V a.c. in top pocket with neon white | EA | \$251.02 | \$25.10 | 10 | - |
| XL770KT13WE | Keytag switch 3 x 20A 240V a.c. in base pocket with neon white | EA | \$230.79 | \$23.08 | 10 | - |
| XL770KT14WE | Keytag switch 4 x 20A 240V a.c. in base pocket white | EA | \$239.25 | \$23.92 | 10 | - |
| XL770KT15WE | Keytag switch 3 x 20A 240V a.c. in top pocket with neon white | EA | \$241.40 | \$24.14 | 10 | - |

Excel

Switches



XL770KT1WE



D5MWE



D5MBL

| Cat.Nos | Hospitality | UoM | Trade price \$ | GST \$ | Box qty | Carton qty |
|-------------|--|-----|----------------|---------|---------|------------|
| | Keytag switches | | | | | |
| XL770KT1WE | Keytag switch 2 x 20A 240V a.c. in base pocket with neon white | EA | \$205.68 | \$20.57 | 10 | - |
| XL770KT2WE | Keytag switch 10A indep. switch 2 x 20A 240V a.c. white | EA | \$215.60 | \$21.56 | 10 | - |
| XL770KT3WE | Keytag switch 10A indep. switch 2 x 20A 240V a.c. with neon white | EA | \$245.97 | \$24.60 | 10 | - |
| XL770KT4WE | Keytag switch 3 x 20A 240V a.c. in base pocket white | EA | \$205.68 | \$20.57 | 10 | - |
| XL770KT5WE | Keytag switch 10A indep. switch 3 x 20A 240V a.c. in base pocket white | EA | \$215.60 | \$21.56 | 10 | - |
| XL770KT6WE | Keytag switch 10A indep. switch 3 x 20A 240V a.c. in base pocket with neon white | EA | \$251.02 | \$25.10 | 10 | - |
| XL770KT7WE | Keytag switch 2 x 20A 240V a.c. in top pocket with neon white | EA | \$205.68 | \$20.57 | 10 | - |
| XL770KT8WE | Keytag switch 10A indep. switch 2 x 20A 240V a.c. in top pocket with neon white | EA | \$215.60 | \$21.56 | 10 | - |
| XL770KT16WE | Keytag switch 4 x 20A 240V a.c. in top pocket white | EA | \$239.25 | \$23.92 | 10 | - |
| | Cordline switches | | | | | |
| D5MWE | Cordline switch for 3-core or figure-8 wiring double pole 10A white | EA | \$17.38 | \$1.74 | 10 | 400 |
| D5MBL | Cordline switch for 3-core or figure-8 wiring double pole 10A black | EA | \$17.38 | \$1.74 | 10 | 400 |



New product



Energy Saving products



More info available.
See technical pages



Coming soon



Product to be discontinued

Whilst most items are stock lines some products are made to order. UoM = Unit Of Measure.
Prices are effective 1 June 2017 and are subject to change without notice. Trade prices exclude GST.



XL787WE



XLP787XWEWE



XL787/2XWE



XL787SCR

| Cat.Nos | Horizontal powerpoints | UoM | Trade price \$ | GST \$ | Box qty | Carton qty |
|---------------------------|---|-----|----------------|--------|---------|------------|
| Single powerpoints | | | | | | |
| XL787WE | Powerpoint 1 gang 10A 240V a.c. white | EA | \$14.41 | \$1.44 | 10 | 160 |
| XLP787WEWE | Powerpoint 1 gang 10A 240V a.c. gloss white | EA | \$14.41 | \$1.44 | 10 | 160 |
| XL787BL | Powerpoint 1 gang 10A 240V a.c. black | EA | \$14.41 | \$1.44 | 10 | 160 |
| XLP787BLBL | Powerpoint 1 gang 10A 240V a.c. gloss black | EA | \$14.41 | \$1.44 | 10 | 160 |
| XL787CR | Powerpoint 1 gang 10A 240V a.c. cream | EA | \$14.41 | \$1.44 | 10 | 160 |
| XLP787CRCR | Powerpoint 1 gang 10A 240V a.c. gloss cream | EA | \$14.41 | \$1.44 | 10 | 160 |
| XL787XWE | Powerpoint 1 gang 10A 240V a.c. with extra switch white | EA | \$31.66 | \$3.17 | 10 | 160 |
| XLP787XWEWE | Powerpoint 1 gang 10A 240V a.c. with extra switch gloss white | EA | \$31.66 | \$3.17 | 10 | 160 |
| XL787XBL | Powerpoint 1 gang 10A 240V a.c. with extra switch black | EA | \$31.66 | \$3.17 | 10 | 160 |
| XL787XCR | Powerpoint 1 gang 10A 240V a.c. with extra switch cream | EA | \$31.66 | \$3.17 | 10 | 160 |
| XLP787XCRCR | Powerpoint 1 gang 10A 240V a.c. with extra switch gloss cream | EA | \$31.66 | \$3.17 | 10 | 160 |
| XLP787XBEBE | Powerpoint 1 gang 10A 240V a.c. with extra switch gloss beige | EA | \$31.66 | \$3.17 | 10 | 160 |
| XL787/2XWE | Powerpoint 1 gang 10A 240V a.c. with 2 extra switches white | EA | \$56.71 | \$5.67 | 10 | 160 |
| XLP787/2XWEWE | Powerpoint 1 gang 10A 240V a.c. with 2 extra switches gloss white | EA | \$56.71 | \$5.67 | 10 | 160 |
| XL787/2XBL | Powerpoint 1 gang 10A 240V a.c. with 2 extra switches black | EA | \$56.71 | \$5.67 | 10 | 160 |
| XL787/2XCR | Powerpoint 1 gang 10A 240V a.c. with 2 extra switches cream | EA | \$56.71 | \$5.67 | 10 | 160 |
| XL787SWE | Powerpoint 1 gang 10A 240V a.c. with safety shutters white | EA | \$33.69 | \$3.37 | 10 | 160 |
| XLP787SWEWE | Powerpoint 1 gang 10A 240V a.c. with safety shutters gloss white | EA | \$33.69 | \$3.37 | 10 | 160 |
| XL787SBL | Powerpoint 1 gang 10A 240V a.c. with safety shutters black | EA | \$33.69 | \$3.37 | 10 | 160 |
| XLP787SBLBL | Powerpoint 1 gang 10A 240V a.c. with safety shutters gloss black | EA | \$33.69 | \$3.37 | 10 | 160 |
| XL787SCR | Powerpoint 1 gang 10A 240V a.c. with safety shutters cream | EA | \$33.69 | \$3.37 | 10 | 160 |
| XL787XSWE | Powerpoint 1 gang 10A 240V a.c. with extra switch & safety shutters white | EA | \$56.97 | \$5.70 | 10 | 160 |
| XLP787XSWEWE | Powerpoint 1 gang 10A 240V a.c. with extra switch & safety shutters gloss white | EA | \$56.97 | \$5.70 | 10 | 160 |
| XL787NSWE | Powerpoint 1 gang 10A 240V a.c. with safety shutters & neon white | EA | \$56.28 | \$5.63 | 10 | 160 |
| XL787NSBL | Powerpoint 1 gang 10A 240V a.c. with safety shutters & neon black | EA | \$56.28 | \$5.63 | 10 | 160 |
| XL787XNSBE | Powerpoint 1 gang 10A 240V a.c. with extra switch, safety shutters & neon beige | EA | \$84.55 | \$8.46 | 10 | 160 |
| XL787RWE | Powerpoint 1 gang 10A 240V a.c. with round earth white | EA | \$57.44 | \$5.74 | 10 | 160 |
| XLP787RWEWE | Powerpoint 1 gang 10A 240V a.c. with round earth gloss white | EA | \$57.44 | \$5.74 | 10 | 160 |
| XL787RBL | Powerpoint 1 gang 10A 240V a.c. with round earth black | EA | \$57.44 | \$5.74 | 10 | 160 |
| XL787RBE | Powerpoint 1 gang 10A 240V a.c. with round earth beige | EA | \$57.44 | \$5.74 | 10 | 160 |
| XL787RCR | Powerpoint 1 gang 10A 240V a.c. with round earth cream | EA | \$57.44 | \$5.74 | 10 | 160 |

Excel

Powerpoints



XL787XRWE



XL787IDWE



XL787/25BL



XL787/15SWE

| Cat.Nos | Horizontal powerpoints | UoM | Trade price \$ | GST \$ | Box qty | Carton qty |
|----------------|--|-----|----------------|---------|---------|------------|
| | Single powerpoints | | | | | |
| XL787PWE | Powerpoint 1 gang double pole 10A 240V a.c. white | EA | \$35.57 | \$3.56 | 10 | 160 |
| XL787PRWE | Powerpoint 1 gang double pole 10A 240V a.c. with round earth white | EA | \$38.53 | \$3.85 | 10 | 160 |
| XL787XRWE | Powerpoint 1 gang 10A 240V a.c. with extra switch & round earth white | EA | \$55.11 | \$5.51 | 10 | 160 |
| XL787RSWE | Powerpoint 1 gang 10A 240V a.c. with safety shutters & round earth white | EA | \$60.77 | \$6.08 | 10 | 160 |
| XL787XNVWE | Powerpoint 2 gang 10A 240V a.c. with extra switch no-volt white | EA | \$285.96 | \$28.60 | 10 | 160 |
| XL787IDWE | Powerpoint 1 gang 10A 240V a.c. with circuit ID white | EA | \$37.11 | \$3.71 | 10 | 160 |
| XL787IDCLWE | Powerpoint 1 gang 10A 240V a.c. with clear circuit ID white | EA | \$36.23 | \$3.62 | 10 | 160 |
| XLP787IDCLWEWE | Powerpoint 1 gang 10A 240V a.c. with clear circuit ID gloss white | EA | \$36.23 | \$3.62 | 10 | 160 |
| XL787IDCLBL | Powerpoint 1 gang 10A 240V a.c. With clear circuit ID black | EA | \$36.23 | \$3.62 | 10 | 160 |
| XL787/15WE | Powerpoint 1 gang 15A 240V a.c. white | EA | \$29.73 | \$2.97 | 10 | 160 |
| XLP787/15WEWE | Powerpoint 1 gang 15A 240V a.c. gloss white | EA | \$29.73 | \$2.97 | 10 | 160 |
| XL787/15BL | Powerpoint 1 gang 15A 240V a.c. black | EA | \$29.73 | \$2.97 | 10 | 160 |
| XL787/15CR | Powerpoint 1 gang 15A 240V a.c. cream | EA | \$29.73 | \$2.97 | 10 | 160 |
| XL787X15WE | Powerpoint 1 gang 15A 240V a.c. with extra switch white | EA | \$40.60 | \$4.06 | 10 | 160 |
| XL787/15SWE | Powerpoint 1 gang 15A 240V a.c. with safety shutters white | EA | \$57.78 | \$5.78 | 10 | 160 |
| XLP787/15SWEWE | Powerpoint 1 gang 15A 240V a.c. with safety shutters gloss white | EA | \$57.78 | \$5.78 | 10 | 160 |
| XLP787/15SBLBL | Powerpoint 1 gang 15A 240V a.c. with safety shutters gloss black | EA | \$57.78 | \$5.78 | 10 | 160 |
| XL787/15SBL | Powerpoint 1 gang 15A 240V a.c. with safety shutters black | EA | \$57.78 | \$5.78 | 10 | 160 |
| XL787/15NSWE | Powerpoint 1 gang 15A 240V a.c. with safety shutters & neon white | EA | \$70.40 | \$7.04 | 10 | 160 |
| XL787/20WE | Powerpoint 1 gang 20A 240V a.c. white | EA | \$37.43 | \$3.74 | 10 | 160 |
| XLP787/20WEWE | Powerpoint 1 gang 20A 240V a.c. gloss white | EA | \$37.43 | \$3.74 | 10 | 160 |
| XL787/20BL | Powerpoint 1 gang 20A 240V a.c. black | EA | \$37.43 | \$3.74 | 10 | 160 |
| XLP787/20BLBL | Powerpoint 1 gang 20A 240V a.c. gloss black | EA | \$37.43 | \$3.74 | 10 | 160 |
| XL787/20NWE | Powerpoint 1 gang 20A 240V a.c. with neon white | EA | \$80.38 | \$8.04 | 10 | 160 |
| XL787/25WE | Powerpoint 1 gang 25A 240V a.c. white | EA | \$72.43 | \$7.24 | 10 | 160 |
| XLP787/25WEWE | Powerpoint 1 gang 25A 240V a.c. gloss white | EA | \$72.43 | \$7.24 | 10 | 160 |
| XL787/25BL | Powerpoint 1 gang 25A 240V a.c. black | EA | \$72.43 | \$7.24 | 10 | 160 |
| XLP787/25BLBL | Powerpoint 1 gang 25A 240V a.c. gloss black | EA | \$72.43 | \$7.24 | 10 | 160 |
| XL787/25NWE | Powerpoint 1 gang 25A 240V a.c. with neon white | EA | \$111.65 | \$11.16 | 10 | 160 |
| XL787/32WE | Powerpoint 1 gang 32A 240V a.c. white | EA | \$68.89 | \$6.89 | 10 | 160 |



XL777WE



XL777CR



XL777RED



XL777XWE



XLP777XBLBL



XLP777ESWEWE

| Cat.Nos | Horizontal powerpoints | UoM | Trade price \$ | GST \$ | Box qty | Carton qty |
|--------------|--|-----|----------------|---------|---------|------------|
| | Double powerpoints | | | | | |
| XL777WE | Powerpoint 2 gang 10A 240V a.c. white | EA | \$21.19 | \$2.12 | 10 | 120 |
| XLP777WEWE | Powerpoint 2 gang 10A 240V a.c. gloss white | EA | \$21.19 | \$2.12 | 10 | 120 |
| XL777WEMS | Powerpoint 2 gang 10A 240V a.c. white/matt silver | EA | \$29.59 | \$2.96 | 10 | 120 |
| XL777BL | Powerpoint 2 gang 10A 240V a.c. black | EA | \$23.07 | \$2.31 | 10 | 120 |
| XLP777BLBL | Powerpoint 2 gang 10A 240V a.c. gloss black | EA | \$23.06 | \$2.31 | 10 | 120 |
| XL777BLMS | Powerpoint 2 gang 10A 240V a.c. black/matt silver | EA | \$29.59 | \$2.96 | 10 | 120 |
| XL777CR | Powerpoint 2 gang 10A 240V a.c. cream | EA | \$23.07 | \$2.31 | 10 | 120 |
| XL777BR | Powerpoint 2 gang 10A 240V a.c. brown | EA | \$23.07 | \$2.31 | 10 | 120 |
| XL777BE | Powerpoint 2 gang 10A 240V a.c. beige | EA | \$23.07 | \$2.31 | 10 | 120 |
| XL777GR | Powerpoint 2 gang 10A 240V a.c. green | EA | \$28.53 | \$2.85 | 10 | 120 |
| XL777MG | Powerpoint 2 gang 10A 240V a.c. misty grey | EA | \$23.99 | \$2.40 | 10 | 120 |
| XL777RED | Powerpoint 2 gang 10A 240V a.c. red | EA | \$28.53 | \$2.85 | 10 | 120 |
| XL777XWE | Powerpoint 2 gang 10A 240V a.c. with extra switch white | EA | \$45.75 | \$4.58 | 10 | 120 |
| XLP777XWEWE | Powerpoint 2 gang 10A 240V a.c. with extra switch gloss white | EA | \$45.75 | \$4.58 | 10 | 120 |
| XL777XBL | Powerpoint 2 gang 10A 240V a.c. with extra switch black | EA | \$45.75 | \$4.58 | 10 | 120 |
| XLP777XBLBL | Powerpoint 2 gang 10A 240V a.c. with extra switch gloss black | EA | \$45.75 | \$4.58 | 10 | 120 |
| XL777XCR | Powerpoint 2 gang 10A 240V a.c. with extra switch cream | EA | \$45.75 | \$4.58 | 10 | 120 |
| XLP777XCRCR | Powerpoint 2 gang 10A 240V a.c. with extra switch gloss cream | EA | \$45.75 | \$4.58 | 10 | 120 |
| XL777SWE | Powerpoint 2 gang 10A 240V a.c. with safety shutters white | EA | \$51.22 | \$5.12 | 10 | 120 |
| XLP777SWEWE | Powerpoint 2 gang 10A 240V a.c. with safety shutters gloss white | EA | \$51.22 | \$5.12 | 10 | 120 |
| XL777SWEMS | Powerpoint 2 gang 10A 240V a.c. with safety shutters white/matt silver | EA | \$57.73 | \$5.77 | 10 | 120 |
| XL777SBL | Powerpoint 2 gang 10A 240V a.c. with safety shutters black | EA | \$51.22 | \$5.12 | 10 | 120 |
| XLP777SBLBL | Powerpoint 2 gang 10A 240V a.c. with safety shutters gloss black | EA | \$51.22 | \$5.12 | 10 | 120 |
| XL777SCR | Powerpoint 2 gang 10A 240V a.c. with safety shutters cream | EA | \$51.22 | \$5.12 | 10 | 120 |
| XLP777ESWEWE | Powerpoint 2 gang 10A 240V a.c. with extra safety gloss white | EA | \$26.41 | \$2.64 | 10 | 120 |
| XLP777ESBLBL | Powerpoint 2 gang 10A 240V a.c. with extra safety gloss black | EA | \$26.41 | \$2.64 | 10 | 120 |
| XL777XSWE | Powerpoint 2 gang 10A 240V a.c. with extra switch & safety shutters white | EA | \$92.69 | \$9.27 | 10 | 120 |
| XLP777XSWEWE | Powerpoint 2 gang 10A 240V a.c. with extra switch & safety shutters gloss white | EA | \$92.69 | \$9.27 | 10 | 120 |
| XLP777XSBLBL | Powerpoint 2 gang 10A 240V a.c. with extra switch & safety shutters gloss black | EA | \$92.69 | \$9.27 | 10 | 120 |
| XL777XSCR | Powerpoint 2 gang 10A 240V a.c. with extra switch & safety shutters cream | EA | \$92.69 | \$9.27 | 10 | 120 |
| XL777NSWE | Powerpoint 2 gang 10A 240V a.c. with safety shutters & neons white | EA | \$83.81 | \$8.38 | 10 | 120 |
| XL777NSBL | Powerpoint 2 gang 10A 240V a.c. with safety shutters & neons black | EA | \$82.31 | \$8.23 | 10 | 120 |
| XL777XNSWE | Powerpoint 2 gang 10A 240V a.c. with extra switch, safety shutters & neons white | EA | \$132.70 | \$13.27 | 10 | 120 |

Excel

Powerpoints



XL777/15WE



XL777/15BL



XL777EL10WE

| Cat.Nos | Horizontal powerpoints | UoM | Trade price \$ | GST \$ | Box qty | Carton qty |
|---|--|-----|----------------|---------|---------|------------|
| Double powerpoints | | | | | | |
| XL777X3NSWE | Powerpoint 2 gang 10A 240V a.c. with extra switch, safety shutters & 3 neons white | EA | \$162.01 | \$16.20 | 10 | 120 |
| XLP777PWEWE | Powerpoint 2 gang double pole 10A 240V a.c. gloss white | EA | \$58.46 | \$5.85 | 10 | 120 |
| XL777/1015WE | Powerpoint 2 gang 10A & 15A 240V a.c. white | EA | \$79.65 | \$7.96 | 10 | 120 |
| XLP777/1015WEWE | Powerpoint 2 gang 10A & 15A 240V a.c. gloss white | EA | \$79.65 | \$7.96 | 10 | 120 |
| XL777/1015NSWE | Powerpoint 2 gang 10A & 15A 240V a.c. with safety shutters & neons white | EA | \$123.97 | \$12.40 | 10 | 120 |
| XL777RWE | Powerpoint 2 gang 10A 240V a.c. with round earth white | EA | \$77.29 | \$7.73 | 10 | 120 |
| XLP777RWEWE | Powerpoint 2 gang 10A 240V a.c. with round earth gloss white | EA | \$77.29 | \$7.73 | 10 | 120 |
| XL777RBL | Powerpoint 2 gang 10A 240V a.c. with round earth black | EA | \$77.29 | \$7.73 | 10 | 120 |
| XL777RCR | Powerpoint 2 gang 10A 240V a.c. with round earth cream | EA | \$77.29 | \$7.73 | 10 | 120 |
| XL777RSWE | Powerpoint 2 gang 10A 240V a.c. with safety shutters & round earth white | EA | \$91.22 | \$9.12 | 10 | 120 |
| XL777/15WE | Powerpoint 2 gang 15A 240V a.c. white | EA | \$90.71 | \$9.07 | 10 | 120 |
| XLP777/15WEWE | Powerpoint 2 gang 15A 240V a.c. gloss white | EA | \$90.71 | \$9.07 | 10 | 120 |
| XL777/15BL | Powerpoint 2 gang 15A 240V a.c. black | EA | \$90.71 | \$9.07 | 10 | 120 |
| XL777/15SWE | Powerpoint 2 gang 15A 240V a.c. with safety shutters white | EA | \$120.49 | \$12.05 | 10 | 120 |
| XLP777/15SWEWE | Powerpoint 2 gang 15A 240V a.c. with safety shutters gloss white | EA | \$120.49 | \$12.05 | 10 | 120 |
| XL777/15NSWE | Powerpoint 2 gang 15A 240V a.c. with safety shutters & neons white | EA | \$128.83 | \$12.88 | 10 | 120 |
| XLP777P15WEWE | Powerpoint 2 gang 15A 240V a.c. double pole with busbar gloss white | EA | \$114.81 | \$11.48 | 10 | 120 |
| XL777X35OWE | Powerpoint 2 gang 10A 240V a.c. with extra switch 35A "Oven" engraved white | EA | \$64.92 | \$6.49 | 10 | 120 |
| XLP777X35OWEWE | Powerpoint 2 gang 10A 240V a.c. with extra switch 35A "Oven" engraved gloss white | EA | \$64.92 | \$6.49 | 10 | 120 |
| Double powerpoints RCD protected | | | | | | |
| XL777EL10WE | Powerpoint 2 gang 10A 240V a.c. with RCD 10mA white | EA | \$265.12 | \$26.51 | 2 | - |
| XLP777EL10WE | Powerpoint 2 gang 10A 240V a.c. with RCD 10mA gloss white | EA | \$265.12 | \$26.51 | 2 | - |
| XL777EL10RED | Powerpoint 2 gang 10A 240V a.c. with RCD 10mA red | EA | \$270.10 | \$27.01 | 2 | - |
| XL777EL10NWE | Powerpoint 2 gang 10A 240V a.c. with RCD 10mA & "supply available" neon white | EA | \$312.82 | \$31.28 | 2 | - |
| XL777EL10NBE | Powerpoint 2 gang 10A 240V a.c. with RCD 10mA & "supply available" neon beige | EA | \$312.82 | \$31.28 | 2 | - |
| XL777EL10N2WE | Powerpoint 2 gang 10A 240V a.c. with RCD 10mA & neons white | EA | \$331.51 | \$33.15 | 2 | - |
| XL777EL10N3WE | Powerpoint 2 gang 10A 240V a.c. with RCD 10mA & 3 neons white | EA | \$358.81 | \$35.88 | 2 | - |
| XL777EL10N3RED | Powerpoint 2 gang 10A 240V a.c. with RCD 10mA & 3 neons red | EA | \$365.77 | \$36.58 | 2 | - |
| XL777EL30WE | Powerpoint 2 gang 10A 240V a.c. with RCD 30mA white | EA | \$207.37 | \$20.74 | 2 | - |
| XLP777EL30WEWE | Powerpoint 2 gang 10A 240V a.c. with RCD 30mA gloss white | EA | \$207.37 | \$20.74 | 2 | - |
| XL777EL30BL | Powerpoint 2 gang 10A 240V a.c. with RCD 30mA black | EA | \$207.37 | \$20.74 | 2 | - |
| XLP777EL30BLBL | Powerpoint 2 gang 10A 240V a.c. with RCD 30mA gloss black | EA | \$207.37 | \$20.74 | 2 | - |
| XL777EL30CR | Powerpoint 2 gang 10A 240V a.c. with RCD 30mA cream | EA | \$207.37 | \$20.74 | 2 | - |



New product



Energy Saving products



More info available. See technical pages



Coming soon



Product to be discontinued

Whilst most items are stock lines some products are made to order. UoM = Unit Of Measure. Prices are effective 1 June 2017 and are subject to change without notice. Trade prices exclude GST.



XL777EL30NWE



XL777PA



XL798/777WE





XL798/777EL30



XL777IDWE



XL777USB2PSXWE

| Cat.Nos | Horizontal powerpoints | UoM | Trade price \$ | GST \$ | Box qty | Carton qty |
|---|--|-----|----------------|---------|---------|------------|
| Double powerpoints RCD protected | | | | | | |
| XL777EL30NWE | Powerpoint 2 gang 10A 240V a.c. with RCD 30mA & "supply available" neon white | EA | \$249.73 | \$24.97 | 2 | 100 |
| XL777EL30N3WE | Powerpoint 2 gang 10A 240V a.c. with RCD 30mA & 3 neons white | EA | \$323.36 | \$32.34 | 2 | 100 |
| XL777EL30GWE | Powerpoint 2 gang 10A 240V a.c. with RCD 30mA for generators white | EA | \$368.57 | \$36.86 | 2 | 100 |
| XLP777EL30GWEWE | Powerpoint 2 gang 10A 240V a.c. with RCD 30mA for generators gloss white | EA | \$368.57 | \$36.86 | 2 | 100 |
| XL777EL30/1015W | Powerpoint 2 gang 10&15A 240V a.c. with RCD 30mA white | EA | \$323.59 | \$32.36 | 2 | 100 |
| XLP777EL30/1015 | Powerpoint 2 gang 10&15A 240V a.c. with RCD 30mA gloss white | EA | \$323.59 | \$32.36 | 2 | 100 |
| XL777EL30G1015W | Powerpoint 2 gang 10&15A 240V a.c. with RCD 30mA for generators white | EA | \$400.11 | \$40.01 | 2 | 100 |
| Skirting powerpoints | | | | | | |
| XL792BWE | Powerpoint 2 gang 10A 240V a.c. with busbar link white | EA | \$44.25 | \$4.42 | 2 | 100 |
| XL792BBL | Powerpoint 2 gang 10A 240V a.c. with busbar link black | EA | \$44.25 | \$4.42 | 2 | 100 |
| XL792BCR | Powerpoint 2 gang 10A 240V a.c. with busbar link cream | EA | \$44.25 | \$4.42 | 2 | 100 |
| XL792NSWE | Powerpoint 2 gang 10A 240V a.c. with busbar link, safety shutters & neons white | EA | \$69.65 | \$6.96 | 2 | 100 |
| XL792B15WE | Powerpoint 2 gang 15A 240V a.c. with busbar link white | EA | \$107.39 | \$10.74 | 2 | 100 |
| Double powerpoints with shaver outlet | | | | | | |
| XL798/777WE | Powerpoint 2 gang 10A 240V a.c. with shaver outlet white | EA | \$247.92 | \$24.79 | - | - |
| XL798/777EL30WE | Powerpoint 2 gang 10A 240V a.c. with shaver outlet & RCD 30mA white | EA | \$512.23 | \$51.22 | - | - |
| Double powerpoints with circuit ID | | | | | | |
| XL777IDWE | Powerpoint 2 gang 10A 240V a.c. with circuit ID white | EA | \$41.49 | \$4.15 | 10 | 120 |
| XL777IDCLWE | Powerpoint 2 gang 10A 240V a.c. with clear circuit ID white | EA | \$40.50 | \$4.05 | 10 | 120 |
| XLP777IDCLWEWE | Powerpoint 2 gang 10A 240V a.c. with clear circuit ID gloss white | EA | \$40.50 | \$4.05 | 10 | 120 |
| Double powerpoints with surge protection | | | | | | |
| XL777PA | Powerpoint 2 gang 10A 240V a.c. with surge protector white  | EA | \$143.64 | \$14.36 | 2 | - |
| XLP777PAWEWE | Powerpoint 2 gang 10A 240V a.c. with surge protector gloss white  | EA | \$143.64 | \$14.36 | 2 | - |
| Double powerpoints chemical resistant | | | | | | |
| XL777CHWE | Powerpoint 2 gang 10A 240V a.c. chemical resistant white | EA | \$32.25 | \$3.22 | 10 | 120 |
| XL777XCHWE | Powerpoint 2 gang 10A 240V a.c. with extra switch chemical resistant white | EA | \$56.40 | \$5.64 | 10 | 120 |
| Double powerpoints with dual USB charger for plasterboard and single brick installations | | | | | | |
| XL777USB2PSAWE | Powerpoint 2 gang 10A 240V a.c. with USB charger 2x2.4A white | EA | \$83.88 | \$8.39 | - | 12 |
| Double powerpoints with dual USB charger for wall box, fire box and double brick installations | | | | | | |
| XL777USB2PSXWE | Powerpoint 2 gang 10A 240V a.c. with USB charger 2x2.4A & inline connector white | EA | \$90.13 | \$9.01 | - | 12 |
| 4 gang powerpoints | | | | | | |
| XL7774WE | Powerpoint 4 gang 10A 240V a.c. white | EA | \$66.71 | \$6.67 | 5 | 30 |
| XLP7774WEWE | Powerpoint 4 gang 10A 240V a.c. gloss white | EA | \$66.71 | \$6.67 | 5 | 30 |



New product



Energy Saving products



More info available. See technical pages



Coming soon



Product to be discontinued

Excel

Powerpoints



XLV787WE



XLV787XBL



XLV787/2XSWE



XL7775WE



XL7775/1WE

| Cat.Nos | | UoM | Trade price \$ | GST \$ | Box qty | Carton qty |
|-------------------------------|---|-----|----------------|---------|---------|------------|
| Horizontal powerpoints | | | | | | |
| 4 gang powerpoints | | | | | | |
| XL7774BL | Powerpoint 4 gang 10A 240V a.c. black | EA | \$69.37 | \$6.94 | 5 | 30 |
| XL7774CR | Powerpoint 4 gang 10A 240V a.c. cream | EA | \$69.37 | \$6.94 | 5 | 30 |
| XL7775/1WE | Powerpoint 4 gang 10A 240V a.c. with extra switch white | EA | \$97.44 | \$9.74 | - | - |
| XL7775/2WE | Powerpoint 4 gang 10A 240V a.c. with 2 extra switches white | EA | \$104.67 | \$10.47 | - | - |
| 5 gang powerpoints | | | | | | |
| XL7775WE | Powerpoint 5 gang 10A 240V a.c. white | EA | \$107.82 | \$10.78 | - | - |
| Vertical powerpoints | | | | | | |
| Single powerpoints | | | | | | |
| XLV787WE | Powerpoint 1 gang 10A 240V a.c. white | EA | \$24.49 | \$2.45 | 10 | 160 |
| XLPV787WEWE | Powerpoint 1 gang 10A 240V a.c. gloss white | EA | \$24.49 | \$2.45 | 10 | 160 |
| XLV787BL | Powerpoint 1 gang 10A 240V a.c. black | EA | \$24.49 | \$2.45 | 10 | 160 |
| XLV787CR | Powerpoint 1 gang 10A 240V a.c. cream | EA | \$24.49 | \$2.45 | 10 | 160 |
| XLV787XWE | Powerpoint 1 gang 10A 240V a.c. with extra switch white | EA | \$39.67 | \$3.97 | 10 | 160 |
| XLV787XBL | Powerpoint 1 gang 10A 240V a.c. with extra switch black | EA | \$39.67 | \$3.97 | 10 | 160 |
| XLV787SWE | Powerpoint 1 gang 10A 240V a.c. with safety shutters white | EA | \$26.38 | \$2.64 | 10 | 160 |
| XLPV787SWEWE | Powerpoint 1 gang 10A 240V a.c. with safety shutters gloss white | EA | \$26.38 | \$2.64 | 10 | 160 |
| XLV787SBL | Powerpoint 1 gang 10A 240V a.c. with safety shutters black | EA | \$26.38 | \$2.64 | 10 | 160 |
| XLPV787SBLBL | Powerpoint 1 gang 10A 240V a.c. with safety shutters gloss black | EA | \$26.38 | \$2.64 | 10 | 160 |
| XLV787SCR | Powerpoint 1 gang 10A 240V a.c. with safety shutters cream | EA | \$26.38 | \$2.64 | 10 | 160 |
| XLV787XSWE | Powerpoint 1 gang 10A 240V a.c. with extra switch & safety shutters white | EA | \$40.31 | \$4.03 | 10 | 160 |
| XLPV787XSWEWE | Powerpoint 1 gang 10A 240V a.c. with extra switch & safety shutters gloss white | EA | \$40.31 | \$4.03 | 10 | 160 |
| XLV787/2XWE | Powerpoint 1 gang 10A 240V a.c. with 2 extra switches white | EA | \$63.56 | \$6.36 | 10 | 160 |
| XLPV787/2XWEWE | Powerpoint 1 gang 10A 240V a.c. with 2 extra switches gloss white | EA | \$63.56 | \$6.36 | 10 | 160 |
| XLV787/2XSWE | Powerpoint 1 gang 10A 240V a.c. with 2 extra switches & safety shutters white | EA | \$72.36 | \$7.24 | 10 | 160 |
| XLPV787/2XSWEWE | Powerpoint 1 gang 10A 240V a.c. with 2 extra switches & safety shutters gloss white | EA | \$72.36 | \$7.24 | 10 | 160 |
| XLPV787/2XSBLBL | Powerpoint 1 gang 10A 240V a.c. with 2 extra switches gloss black | EA | \$72.36 | \$7.24 | 10 | 160 |
| XLV787/15WE | Powerpoint 1 gang 15A 240V a.c. white | EA | \$40.47 | \$4.05 | 10 | 160 |
| XLPV787/15SWEWE | Powerpoint 1 gang 15A 240V a.c. with safety shutters gloss white | EA | \$62.16 | \$6.22 | 10 | 160 |
| XLPV787/15SBLBL | Powerpoint 1 gang 15A 240V a.c. with extra switch & safety shutters gloss black | EA | \$62.16 | \$6.22 | 10 | 160 |
| XLV787/15SWE | Powerpoint 1 gang 15A 240V a.c. with safety shutters white | EA | \$62.16 | \$6.22 | 10 | 160 |



New product



Energy Saving products



More info available.
See technical pages



Coming soon



Product to be discontinued

Whilst most items are stock lines some products are made to order. UoM = Unit Of Measure.
Prices are effective 1 June 2017 and are subject to change without notice. Trade prices exclude GST.

Excel

Powerpoints



XLV777WE



XLV777BL



XLV777XCR



XLV777SWE



XL798/0WE

| Cat.Nos | | UoM | Trade price \$ | GST \$ | Box qty | Carton qty |
|-----------------------------|---|-----|----------------|---------|---------|------------|
| Vertical powerpoints | | | | | | |
| Double powerpoints | | | | | | |
| XLV777WE | Powerpoint 2 gang 10A 240V a.c. white | EA | \$40.88 | \$4.09 | 10 | 120 |
| XLPV777WEWE | Powerpoint 2 gang 10A 240V a.c. gloss white | EA | \$40.88 | \$4.09 | 10 | 120 |
| XLV777BL | Powerpoint 2 gang 10A 240V a.c. black | EA | \$40.88 | \$4.09 | 10 | 120 |
| XLV777CR | Powerpoint 2 gang 10A 240V a.c. cream | EA | \$40.88 | \$4.09 | 10 | 120 |
| XLPV777BEBE | Powerpoint 2 gang 10A 240V a.c. gloss beige | EA | \$40.88 | \$4.09 | 10 | 120 |
| XLV777XWE | Powerpoint 2 gang 10A 240V a.c. with extra switch white | EA | \$66.56 | \$6.66 | 10 | 120 |
| XLV777XBL | Powerpoint 2 gang 10A 240V a.c. with extra switch black | EA | \$66.56 | \$6.66 | 10 | 120 |
| XLV777XCR | Powerpoint 2 gang 10A 240V a.c. with extra switch cream | EA | \$66.56 | \$6.66 | 10 | 120 |
| XLV777SWE | Powerpoint 2 gang 10A 240V a.c. with safety shutters white | EA | \$50.80 | \$5.08 | 10 | 120 |
| XLPV777SWEWE | Powerpoint 2 gang 10A 240V a.c. with safety shutters gloss white | EA | \$50.80 | \$5.08 | 10 | 120 |
| XLV777SBL | Powerpoint 2 gang 10A 240V a.c. with safety shutters black | EA | \$50.80 | \$5.08 | 10 | 120 |
| XLPV777SBLBL | Powerpoint 2 gang 10A 240V a.c. with safety shutters gloss black | EA | \$50.80 | \$5.08 | 10 | 120 |
| XLV777SCR | Powerpoint 2 gang 10A 240V a.c. with safety shutters cream | EA | \$50.80 | \$5.08 | 10 | 120 |
| XLV777XSWE | Powerpoint 2 gang 10A 240V a.c. with extra switch & safety shutters white | EA | \$83.27 | \$8.33 | 10 | 120 |
| XLPV777XSWEWE | Powerpoint 2 gang 10A 240V a.c. with extra switch & safety shutters gloss white | EA | \$83.27 | \$8.33 | 10 | 120 |
| XLPV777XSBLBL | Powerpoint 2 gang 10A 240V a.c. with extra switch gloss black | EA | \$83.27 | \$8.33 | 10 | 120 |
| XLV777XSCR | Powerpoint 2 gang 10A 240V a.c. with extra switch & safety shutters cream | EA | \$83.27 | \$8.33 | 10 | 120 |
| Shaver outlets | | | | | | |
| XL798/0WE | Shaver outlet 117x73mm white | EA | \$196.73 | \$19.67 | - | - |
| XL798/0BL | Shaver outlet 117x73mm black | EA | \$196.73 | \$19.67 | - | - |

Excel

Phone, TV, data and AV sockets



XL770/1RJ1WE



XL770/1CXWE



XL770/2RJ2WE



XL222/2TWE

| Cat.Nos | Phone, TV, data and AV sockets | UoM | Trade price \$ | GST \$ | Box qty | Carton qty |
|------------------------------|---|-----|----------------|---------|---------|------------|
| Phone outlets | | | | | | |
| XL770/1RJ1WE | Phone outlet RJ12 1 gang Cat3 white | EA | \$23.58 | \$2.36 | 10 | 160 |
| XLP770/1RJ1WEWE | Phone outlet RJ12 1 gang Cat3 gloss white | EA | \$23.58 | \$2.36 | 10 | 160 |
| XL770/2RJ1WE | Phone outlet RJ12 2 gang Cat3 white | EA | \$38.62 | \$3.86 | 10 | 160 |
| XL770TOWE | Phone outlet Telecom 610 1 gang white | EA | \$7.66 | \$0.77 | 10 | 160 |
| XLP770TOWEWE | Phone outlet Telecom 610 1 gang gloss white | EA | \$7.66 | \$0.77 | 10 | 160 |
| XL770TOBL | Phone outlet Telecom 610 1 gang black | EA | \$7.66 | \$0.77 | 10 | 160 |
| XL770TOCR | Phone outlet Telecom 610 1 gang cream | EA | \$7.66 | \$0.77 | 10 | 160 |
| TV outlets | | | | | | |
| XL770FWE | TV outlet F-type 1 gang 3GHz white | EA | \$7.90 | \$0.79 | 10 | 160 |
| XLP770FWEWE | TV outlet F-type 1 gang 3GHz gloss white | EA | \$7.90 | \$0.79 | 10 | 160 |
| XL770/1CXWE | TV outlet coaxial 1 gang 75 Ohm white | EA | \$10.56 | \$1.06 | 10 | 160 |
| XLP770/1CXWEWE | TV outlet coaxial 1 gang 75 Ohm gloss white | EA | \$10.56 | \$1.06 | 10 | 160 |
| XL770/1FCXWE | TV outlet F to Pal 1 gang 75 Ohm white | EA | \$11.61 | \$1.16 | 10 | 160 |
| XLP770/1FCXWE | TV outlet F to Pal 1 gang 75 Ohm gloss white | EA | \$11.61 | \$1.16 | 10 | 160 |
| XLA770/1CXWE | TV outlet coaxial 1 gang 75 Ohm architrave white | EA | \$11.72 | \$1.17 | 10 | 160 |
| RJ45 outlets | | | | | | |
| XL770/1RJ2WE | Data outlet RJ45 1 gang Cat5e white | EA | \$27.20 | \$2.72 | 10 | 160 |
| XLP770/1RJ2WEWE | Data outlet RJ45 1 gang Cat5e gloss white | EA | \$27.20 | \$2.72 | 10 | 160 |
| XL770/2RJ2WE | Data outlet RJ45 2 gang Cat5e white | EA | \$47.78 | \$4.78 | 10 | 160 |
| Combination outlets | | | | | | |
| XL222/2TWE | Combo DGPO+ 2xRJ45 Cat5e + 2xF-type 2 plates tall white | EA | \$69.28 | \$6.93 | - | - |
| XL222PA/2TWE | Combo DGPO w surge + 2xRJ45 Cat5e + 2xF-type 2 plates tall white | EA | \$187.97 | \$18.80 | - | - |
| XL422PA/3TWE | Combo DGPO w surge + DGPO + 2xRJ45 Cat5e + 2xF-type 3 plates tall white | EA | \$208.55 | \$20.86 | - | - |
| XLV424/3WWE | Combo DGPO x 2 + RJ45x2 + 4x F-type 3 plates wide white | EA | \$118.52 | \$11.85 | - | - |
| DVI outlets | | | | | | |
| XLP950WEWE | DVI outlet 1 gang gloss white | EA | \$81.22 | \$8.12 | 5 | - |
| HDMI outlets | | | | | | |
| XLP906WEWE | HDMI outlet 1 gang gloss white | EA | \$58.81 | \$5.88 | 5 | - |
| RCA & RGB outlets | | | | | | |
| XLP902WEWE | RCA white/red 2 gang gloss white | EA | \$42.01 | \$4.20 | 5 | - |
| XLP903WEWE | RCA yellow/white/red 3 gang gloss white | EA | \$50.41 | \$5.04 | 5 | - |
| XLP904/2WEWE | RGB 2 gang gloss white | EA | \$98.02 | \$9.80 | 5 | - |



New product



Energy Saving products



More info available.
See technical pages



Coming soon



Product to be discontinued

Whilst most items are stock lines some products are made to order. UoM = Unit Of Measure.
Prices are effective 1 June 2017 and are subject to change without notice. Trade prices exclude GST.

Excel

Phone, TV, data and AV sockets & bulkhead lights



XLP904WEWE



XLP907WEWE



XLP900WEWE



XLP909WEWE



XLP930WEWE

| Cat.Nos | Phone, TV, data and AV sockets | UoM | Trade price \$ | GST \$ | Box qty | Carton qty |
|--|--|-----|----------------|----------|---------|------------|
| RCA & RGB outlets | | | | | | |
| XLP904WEWE | RGB 1 gang gloss white | EA | \$50.41 | \$5.04 | 5 | - |
| XLP904R2WEWE | RGB & RCA white/red 2 gang gloss white | EA | \$53.23 | \$5.32 | 5 | - |
| XLP904R3WEWE | RGB & RCA yellow/white/red 2 gang gloss white | EA | \$53.23 | \$5.32 | 5 | - |
| XLP904SVWEWE | RGB & D-video 2 gang gloss white | EA | \$50.41 | \$5.04 | 5 | - |
| XLP904USBWEWE | RGB & USB 2 gang gloss white | EA | \$53.23 | \$5.32 | 5 | - |
| Speaker outlets | | | | | | |
| XLP907WEWE | Speaker outlet 1 gang gloss white | EA | \$33.64 | \$3.36 | 5 | - |
| XLP907/2WEWE | Speaker outlet 2 gang gloss white | EA | \$42.01 | \$4.20 | 5 | - |
| Speakon outlets | | | | | | |
| XLP910WEWE | Speakon outlet 1 gang gloss white | EA | \$238.08 | \$23.81 | 5 | - |
| S-Video outlets | | | | | | |
| XLP905WEWE | Mini Din S-video outlet 1 gang gloss white | EA | \$36.41 | \$3.64 | 5 | - |
| USB 2.0 outlets for data transfer | | | | | | |
| XLP943WEWE | USB outlet v2.0 1 gang gloss white | EA | \$56.01 | \$5.60 | 5 | - |
| XLP943/2WEWE | USB outlet v2.0 2 gang gloss white | EA | \$67.22 | \$6.72 | 5 | - |
| XLP900USBWEWE | VGA & USB outlet v2.0 2 gang gloss white | EA | \$36.41 | \$3.64 | 5 | - |
| VGA outlets | | | | | | |
| XLP900WEWE | VGA outlet HD15 1 gang gloss white | EA | \$53.23 | \$5.32 | 5 | - |
| Wifi outlets | | | | | | |
| XLP945WEWE | Wifi access point 1 gang gloss white | EA | \$1,128.34 | \$112.83 | 5 | - |
| XLR outlets | | | | | | |
| XLP909WEWE | XLR outlet 1 gang gloss white | EA | \$246.49 | \$24.65 | 5 | - |
| Audio Jack outlets | | | | | | |
| XLP911WEWE | Audio jack outlet 3.5mm 1 gang gloss white | EA | \$42.01 | \$4.20 | 5 | - |
| XLP900AUDWEWE | VGA & 3.5mm audio jack 2 gang gloss white | EA | \$47.62 | \$4.76 | 5 | - |
| Bulkhead lights | | | | | | |
| XLP930WEWE | Bulkhead light red 12/24V a.c. gloss white | EA | \$56.01 | \$5.60 | 5 | - |
| XLP931WEWE | Bulkhead light gloss white 12/24V a.c. gloss white | EA | \$56.01 | \$5.60 | 5 | - |
| XLP932WEWE | Bulkhead light green 12/24V a.c. gloss white | EA | \$56.01 | \$5.60 | 5 | - |
| XLP934WEWE | Bulkhead light red 230V a.c. gloss white | EA | \$47.62 | \$4.76 | 5 | - |
| XLP935WEWE | Bulkhead light white 230V a.c. gloss white | EA | \$47.62 | \$4.76 | 5 | - |

Excel

Grid & plates



XL770/1GPLWE



XL770/2GPLBL



XL770/2GPLCR



XLP770/4GPLBLBL



XL770/5GPLWE



XL770/6GPLWE

| Cat.Nos | Grid & plates | UoM | Trade price \$ | GST \$ | Box qty | Carton qty |
|--|---------------------------------|-----|----------------|--------|---------|------------|
| For 770 series mechanisms - 1 to 6 gang | | | | | | |
| XL770/1GPLWE | Grid & plate 1 gang white | EA | \$6.54 | \$0.65 | 10 | 160 |
| XLP770/1GPLWEWE | Grid & plate 1 gang gloss white | EA | \$6.54 | \$0.65 | 10 | 160 |
| XL770/1GPLBL | Grid & plate 1 gang black | EA | \$6.54 | \$0.65 | 10 | 160 |
| XLP770/1GPLBLBL | Grid & plate 1 gang gloss black | EA | \$6.54 | \$0.65 | 10 | 160 |
| XL770/1GPLCR | Grid & plate 1 gang cream | EA | \$6.54 | \$0.65 | 10 | 160 |
| XLP770/1GPLCRCR | Grid & plate 1 gang gloss cream | EA | \$6.54 | \$0.65 | 10 | 160 |
| XL770/2GPLWE | Grid & plate 2 gang white | EA | \$7.09 | \$0.71 | 10 | 160 |
| XLP770/2GPLWEWE | Grid & plate 2 gang gloss white | EA | \$7.09 | \$0.71 | 10 | 160 |
| XL770/2GPLBL | Grid & plate 2 gang black | EA | \$7.09 | \$0.71 | 10 | 160 |
| XLP770/2GPLBLBL | Grid & plate 2 gang gloss black | EA | \$7.09 | \$0.71 | 10 | 160 |
| XL770/2GPLCR | Grid & plate 2 gang cream | EA | \$7.09 | \$0.71 | 10 | 160 |
| XLP770/2GPLCRCR | Grid & plate 2 gang gloss cream | EA | \$7.09 | \$0.71 | 10 | 160 |
| XL770/3GPLWE | Grid & plate 3 gang white | EA | \$7.76 | \$0.78 | 10 | 160 |
| XLP770/3GPLWEWE | Grid & plate 3 gang gloss white | EA | \$7.76 | \$0.78 | 10 | 160 |
| XL770/3GPLBL | Grid & plate 3 gang black | EA | \$7.76 | \$0.78 | 10 | 160 |
| XLP770/3GPLBLBL | Grid & plate 3 gang gloss black | EA | \$7.76 | \$0.78 | 10 | 160 |
| XL770/3GPLCR | Grid & plate 3 gang cream | EA | \$7.76 | \$0.78 | 10 | 160 |
| XLP770/3GPLCRCR | Grid & plate 3 gang gloss cream | EA | \$7.76 | \$0.78 | 10 | 160 |
| XL770/4GPLWE | Grid & plate 4 gang white | EA | \$12.56 | \$1.26 | 10 | 160 |
| XLP770/4GPLWEWE | Grid & plate 4 gang gloss white | EA | \$12.56 | \$1.26 | 10 | 160 |
| XL770/4GPLBL | Grid & plate 4 gang black | EA | \$12.56 | \$1.26 | 10 | 160 |
| XLP770/4GPLBLBL | Grid & plate 4 gang gloss black | EA | \$12.56 | \$1.26 | 10 | 160 |
| XL770/4GPLCR | Grid & plate 4 gang cream | EA | \$12.56 | \$1.26 | 10 | 160 |
| XLP770/4GPLCRCR | Grid & plate 4 gang gloss cream | EA | \$12.56 | \$1.26 | 10 | 160 |
| XL770/5GPLWE | Grid & plate 5 gang white | EA | \$13.96 | \$1.40 | 10 | 160 |
| XLP770/5GPLWEWE | Grid & plate 5 gang gloss white | EA | \$13.96 | \$1.40 | 10 | 160 |
| XL770/5GPLBL | Grid & plate 5 gang black | EA | \$13.96 | \$1.40 | 10 | 160 |
| XLP770/5GPLBLBL | Grid & plate 5 gang gloss black | EA | \$13.96 | \$1.40 | 10 | 160 |
| XL770/5GPLCR | Grid & plate 5 gang cream | EA | \$13.96 | \$1.40 | 10 | 160 |
| XLP770/5GPLCRCR | Grid & plate 5 gang gloss cream | EA | \$13.96 | \$1.40 | 10 | 160 |
| XL770/6GPLWE | Grid & plate 6 gang white | EA | \$13.96 | \$1.40 | 10 | 160 |
| XLP770/6GPLWEWE | Grid & plate 6 gang gloss white | EA | \$13.96 | \$1.40 | 10 | 160 |
| XL770/6GPLBL | Grid & plate 6 gang black | EA | \$13.96 | \$1.40 | 10 | 160 |



New product



Energy Saving products



More info available.
See technical pages



Coming soon



Product to be discontinued

Whilst most items are stock lines some products are made to order. UoM = Unit Of Measure.
Prices are effective 1 June 2017 and are subject to change without notice. Trade prices exclude GST.

Excel

Grid & plates



XL770/0WE



XLA770/1GPLWE



XLA770/2GPLBL

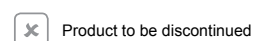
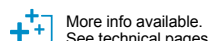
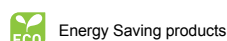
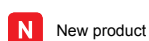


XLA770/3GPLWE



XL770UWE

| Cat.Nos | Grid & plates | UoM | Trade price \$ | GST \$ | Box qty | Carton qty |
|---|---|-----|----------------|--------|---------|------------|
| For 770 series mechanisms - 6 gang, blank & narrow | | | | | | |
| XLP770/6GPLBLBL | Grid & plate 6 gang gloss black | EA | \$13.96 | \$1.40 | 10 | 160 |
| XL770/6GPLCR | Grid & plate 6 gang cream | EA | \$13.96 | \$1.40 | 10 | 160 |
| XLP770/6GPLCRCR | Grid & plate 6 gang gloss cream | EA | \$13.96 | \$1.40 | 10 | 160 |
| XL770/0WE | Grid & plate blank white | EA | \$6.90 | \$0.69 | 10 | 160 |
| XLP770/0WEWE | Grid & plate blank gloss white | EA | \$6.90 | \$0.69 | 10 | 160 |
| XL770/0BL | Grid & plate blank black | EA | \$6.90 | \$0.69 | 10 | 160 |
| XLP770/0BLBL | Grid & plate blank gloss black | EA | \$7.18 | \$0.72 | 10 | 160 |
| XL770/0CR | Grid & plate blank cream | EA | \$6.90 | \$0.69 | 10 | 160 |
| XL792/02AWE | Grid & plate 2 gang narrow white | EA | \$11.18 | \$1.12 | 10 | 160 |
| XL792/02ABL | Grid & plate 2 gang narrow black | EA | \$11.18 | \$1.12 | 10 | 160 |
| XL792/4WE | Grid & plate 4 gang narrow white | EA | \$9.62 | \$0.96 | 10 | 160 |
| XL792/4BL | Grid & plate 4 gang narrow black | EA | \$9.62 | \$0.96 | 10 | 160 |
| XL792/0AWE | Grid & plate blank narrow white | EA | \$11.18 | \$1.12 | 10 | 160 |
| Architrave grid & plates – 1 to 4 gang | | | | | | |
| XLA770/1GPLWE | Architrave grid & plate 1 gang white | EA | \$4.37 | \$0.44 | 20 | - |
| XLA770/1GPLBL | Architrave grid & plate 1 gang black | EA | \$4.37 | \$0.44 | 20 | - |
| XLA770/1GPLCR | Architrave grid & plate 1 gang cream | EA | \$4.37 | \$0.44 | 20 | - |
| XLA770/2GPLWE | Architrave grid & plate 2 gang white | EA | \$6.88 | \$0.69 | 20 | - |
| XLA770/2GPLBL | Architrave grid & plate 2 gang black | EA | \$6.88 | \$0.69 | 20 | - |
| XLA770/2GPLCR | Architrave grid & plate 2 gang cream | EA | \$6.88 | \$0.69 | 20 | - |
| XLA770/3GPLWE | Architrave grid & plate 3 gang white | EA | \$10.82 | \$1.08 | 20 | - |
| XLA770/3GPLBL | Architrave grid & plate 3 gang black | EA | \$10.82 | \$1.08 | 20 | - |
| XLA770/4GPLWE | Architrave grid & plate 4 gang white | EA | \$14.79 | \$1.48 | 20 | - |
| XLA770/4GPLBL | Architrave grid & plate 4 gang black | EA | \$14.92 | \$1.49 | 20 | - |
| XLA770/4GPLCR | Architrave grid & plate 4 gang cream | EA | \$14.79 | \$1.48 | 20 | - |
| Phone, TV, data and AV grid & plates | | | | | | |
| XL770UWE | Electronics applications grid & plate universal plastic white | EA | \$8.30 | \$0.83 | 10 | 160 |
| XLP770UWEWE | Electronics applications grid & plate universal plastic gloss white | EA | \$7.98 | \$0.80 | 10 | 160 |
| XL770UBL | Electronics applications grid & plate universal plastic black | EA | \$8.43 | \$0.84 | 10 | 160 |
| XL770/1D1WE | Switch grid & plate 1 gang computer D1 white | EA | \$12.58 | \$1.26 | 10 | 160 |
| XL770/1D2WE | Switch grid & plate 1 gang computer D2 white | EA | \$12.58 | \$1.26 | 10 | 160 |
| XL770/2D1WE | Switch grid & plate 2 gang computer D1 white | EA | \$12.58 | \$1.26 | 10 | 160 |



Excel

Coverplates



XL770/1PLWE



XL770/1PLMS



XL770/2PLBL



XL770/3PLCR



XL770/5PLWE

| Cat.Nos | Switch coverplates – 1 to 5 gang | UoM | Trade price \$ | GST \$ | Box qty | Carton qty |
|--------------|----------------------------------|-----|----------------|--------|---------|------------|
| XL770/1PLWE | Coverplate 1 gang white | EA | \$3.26 | \$0.33 | 10 | 320 |
| XLP770/1PLWE | Coverplate 1 gang gloss white | EA | \$3.26 | \$0.33 | 10 | 320 |
| XL770/1PLBL | Coverplate 1 gang black | EA | \$3.44 | \$0.34 | 10 | 320 |
| XLP770/1PLBL | Coverplate 1 gang gloss black | EA | \$3.44 | \$0.34 | 10 | 320 |
| XL770/1PLCR | Coverplate 1 gang cream | EA | \$3.44 | \$0.34 | 10 | 320 |
| XLP770/1PLCR | Coverplate 1 gang gloss cream | EA | \$3.44 | \$0.34 | 10 | 320 |
| XL770/1PLMS | Coverplate 1 gang matt silver | EA | \$6.44 | \$0.64 | 10 | 320 |
| XL770/2PLWE | Coverplate 2 gang white | EA | \$3.26 | \$0.33 | 10 | 320 |
| XLP770/2PLWE | Coverplate 2 gang gloss white | EA | \$3.26 | \$0.33 | 10 | 320 |
| XL770/2PLBL | Coverplate 2 gang black | EA | \$3.44 | \$0.34 | 10 | 320 |
| XLP770/2PLBL | Coverplate 2 gang gloss black | EA | \$3.44 | \$0.34 | 10 | 320 |
| XL770/2PLCR | Coverplate 2 gang cream | EA | \$3.44 | \$0.34 | 10 | 320 |
| XLP770/2PLCR | Coverplate 2 gang gloss cream | EA | \$3.44 | \$0.34 | 10 | 320 |
| XL770/2PLMS | Coverplate 2 gang matt silver | EA | \$6.44 | \$0.64 | 10 | 320 |
| XL770/3PLWE | Coverplate 3 gang white | EA | \$3.26 | \$0.33 | 10 | 320 |
| XLP770/3PLWE | Coverplate 3 gang gloss white | EA | \$3.26 | \$0.33 | 10 | 320 |
| XL770/3PLBL | Coverplate 3 gang black | EA | \$3.44 | \$0.34 | 10 | 320 |
| XLP770/3PLBL | Coverplate 3 gang gloss black | EA | \$3.44 | \$0.34 | 10 | 320 |
| XL770/3PLCR | Coverplate 3 gang cream | EA | \$3.44 | \$0.34 | 10 | 320 |
| XLP770/3PLCR | Coverplate 3 gang gloss cream | EA | \$3.44 | \$0.34 | 10 | 320 |
| XL770/3PLMS | Coverplate 3 gang matt silver | EA | \$6.44 | \$0.64 | 10 | 320 |
| XL770/4PLWE | Coverplate 4 gang white | EA | \$3.26 | \$0.33 | 10 | 320 |
| XLP770/4PLWE | Coverplate 4 gang gloss white | EA | \$3.26 | \$0.33 | 10 | 320 |
| XL770/4PLBL | Coverplate 4 gang black | EA | \$3.44 | \$0.34 | 10 | 320 |
| XLP770/4PLBL | Coverplate 4 gang gloss black | EA | \$3.44 | \$0.34 | 10 | 320 |
| XL770/4PLCR | Coverplate 4 gang cream | EA | \$3.44 | \$0.34 | 10 | 320 |
| XLP770/4PLCR | Coverplate 4 gang gloss cream | EA | \$3.44 | \$0.34 | 10 | 320 |
| XL770/4PLMS | Coverplate 4 gang matt silver | EA | \$6.44 | \$0.64 | 10 | 320 |
| XL770/5PLWE | Coverplate 5 gang white | EA | \$3.26 | \$0.33 | 10 | 320 |
| XLP770/5PLWE | Coverplate 5 gang gloss white | EA | \$3.26 | \$0.33 | 10 | 320 |
| XL770/5PLBL | Coverplate 5 gang black | EA | \$3.44 | \$0.34 | 10 | 320 |
| XLP770/5PLBL | Coverplate 5 gang gloss black | EA | \$3.44 | \$0.34 | 10 | 320 |
| XL770/5PLCR | Coverplate 5 gang cream | EA | \$3.44 | \$0.34 | 10 | 320 |
| XLP770/5PLCR | Coverplate 5 gang gloss cream | EA | \$3.44 | \$0.34 | 10 | 320 |



New product



Energy Saving products



More info available.
See technical pages



Coming soon



Product to be discontinued

Whilst most items are stock lines some products are made to order. UoM = Unit Of Measure.
Prices are effective 1 June 2017 and are subject to change without notice. Trade prices exclude GST.

Excel

Coverplates



XL770/6PLWE



XL1036PLMS



XLA770/1PLWE



XLA770/2PLBL



XLA770/3PLCR



XLA770/4PLBR

| Cat.Nos | | UoM | Trade price \$ | GST \$ | Box qty | Carton qty |
|--|--|-----|----------------|--------|---------|------------|
| Switch coverplates – 6 gang, heavy duty and blank | | | | | | |
| XL770/6PLWE | Coverplate 6 gang white | EA | \$3.26 | \$0.33 | 10 | 120 |
| XLP770/6PLWE | Coverplate 6 gang gloss white | EA | \$3.26 | \$0.33 | 10 | 120 |
| XL770/6PLBL | Coverplate 6 gang black | EA | \$3.44 | \$0.34 | 10 | 120 |
| XLP770/6PLBL | Coverplate 6 gang gloss black | EA | \$3.44 | \$0.34 | 10 | 120 |
| XL770/6PLCR | Coverplate 6 gang cream | EA | \$3.44 | \$0.34 | 10 | 120 |
| XLP770/6PLCR | Coverplate 6 gang gloss cream | EA | \$3.44 | \$0.34 | 10 | 120 |
| XL1036PLWE | Coverplate 1 gang heavy duty white | EA | \$3.26 | \$0.33 | 10 | 120 |
| XLP1036PLWE | Coverplate 1 gang heavy duty white | EA | \$3.26 | \$0.33 | 10 | 120 |
| XL1036PLMS | Coverplate 1 gang heavy duty matt silver | EA | \$6.44 | \$0.64 | 10 | 120 |
| XL770/0PLWE | Coverplate blank white | EA | \$3.26 | \$0.33 | 10 | 120 |
| XLP770/0PLWE | Coverplate blank gloss white | EA | \$3.26 | \$0.33 | 10 | 120 |
| XL770/0PLBL | Coverplate blank black | EA | \$3.44 | \$0.34 | 10 | 120 |
| XLP770/0PLBL | Coverplate blank gloss black | EA | \$3.44 | \$0.34 | 10 | 120 |
| XL770/0PLCR | Coverplate blank cream | EA | \$3.44 | \$0.34 | 10 | 120 |
| XLP770/0PLCR | Coverplate blank gloss cream | EA | \$3.44 | \$0.34 | 10 | 120 |
| XL770/0PLMS | Coverplate blank matt silver | EA | \$6.44 | \$0.64 | 10 | 120 |
| Architrave coverplates – 1 to 4 gang | | | | | | |
| XLA770/1PLWE | Architrave coverplate 1 gang white | EA | \$3.06 | \$0.31 | 20 | - |
| XLA770/1PLBL | Architrave coverplate 1 gang black | EA | \$3.23 | \$0.32 | 20 | - |
| XLA770/1PLCR | Architrave coverplate 1 gang cream | EA | \$3.23 | \$0.32 | 20 | - |
| XLA770/2PLWE | Architrave coverplate 2 gang white | EA | \$3.44 | \$0.34 | 20 | - |
| XLA770/2PLBL | Architrave coverplate 2 gang black | EA | \$3.63 | \$0.36 | 20 | - |
| XLA770/2PLCR | Architrave coverplate 2 gang cream | EA | \$3.63 | \$0.36 | 20 | - |
| XLA770/3PLWE | Architrave coverplate 3 gang white | EA | \$3.54 | \$0.35 | 20 | - |
| XLA770/3PLBL | Architrave coverplate 3 gang black | EA | \$3.74 | \$0.37 | 20 | - |
| XLA770/3PLCR | Architrave coverplate 3 gang cream | EA | \$3.74 | \$0.37 | 20 | - |
| XLA770/4PLWE | Architrave coverplate 4 gang white | EA | \$3.54 | \$0.35 | 20 | - |
| XLA770/4PLBR | Architrave coverplate 4 gang brown | EA | \$3.74 | \$0.37 | 20 | - |
| XLA770/4PLCR | Architrave coverplate 4 gang cream | EA | \$3.74 | \$0.37 | 20 | - |



New product



Energy Saving products



More info available.
See technical pages



Coming soon



Product to be discontinued

Excel

Coverplates



XL787PLWE



XL787PLMS



XL777PLWE



XL777PLPB



XL777XPLBL

| Cat.Nos | Powerpoint coverplates | UoM | Trade price \$ | GST \$ | Box qty | Carton qty |
|--------------------------------------|---|-----|----------------|--------|---------|------------|
| Single powerpoint coverplates | | | | | | |
| XL787PLWE | Powerpoint coverplate 1 gang white | EA | \$3.26 | \$0.33 | 20 | 320 |
| XLP787PLWE | Powerpoint coverplate 1 gang gloss white | EA | \$3.26 | \$0.33 | 20 | 320 |
| XL787PLBL | Powerpoint coverplate 1 gang black | EA | \$3.44 | \$0.34 | 20 | 320 |
| XLP787PLBL | Powerpoint coverplate 1 gang gloss black | EA | \$3.44 | \$0.34 | 20 | 320 |
| XL787PLMS | Powerpoint coverplate 1 gang matt silver | EA | \$6.44 | \$0.64 | 20 | 320 |
| XL787PLCR | Powerpoint coverplate 1 gang cream | EA | \$3.44 | \$0.34 | 20 | 320 |
| XLP787PLCR | Powerpoint coverplate 1 gang gloss cream | EA | \$3.44 | \$0.34 | 20 | 320 |
| XL787XPLWE | Powerpoint coverplate 1 gang with extra hole white | EA | \$3.26 | \$0.33 | 20 | 320 |
| XLP787XPLWE | Powerpoint coverplate 1 gang with extra hole gloss white | EA | \$3.26 | \$0.33 | 20 | 320 |
| XLP787XPLBL | Powerpoint coverplate 1 gang with extra hole gloss black | EA | \$3.44 | \$0.34 | 20 | 320 |
| XL787XPLMS | Powerpoint coverplate 1 gang with extra hole matt silver | EA | \$6.44 | \$0.64 | 20 | 320 |
| XLP787XPLCR | Powerpoint coverplate 1 gang with extra hole gloss cream | EA | \$3.44 | \$0.34 | 20 | 320 |
| XL787/20PLWE | Powerpoint coverplate 1 gang for 20A switch white | EA | \$3.26 | \$0.33 | 20 | 320 |
| XLP787/20PLWE | Powerpoint coverplate 1 gang for 20A switch gloss white | EA | \$3.26 | \$0.33 | 20 | 320 |
| XL787/20PLMS | Powerpoint coverplate 1 gang for 20A switch matt silver | EA | \$6.44 | \$0.64 | 20 | 320 |
| XL787/2XPLMS | Powerpoint coverplate 1 gang with 2 extra holes matt silver | EA | \$6.44 | \$0.64 | 20 | 320 |
| Double powerpoint coverplates | | | | | | |
| XL777PLWE | Powerpoint coverplate 2 gang white | EA | \$3.26 | \$0.33 | 20 | 320 |
| XLP777PLWE | Powerpoint coverplate 2 gang gloss white | EA | \$3.26 | \$0.33 | 20 | 320 |
| XL777PLBL | Powerpoint coverplate 2 gang black | EA | \$3.44 | \$0.34 | 20 | 320 |
| XLP777PLBL | Powerpoint coverplate 2 gang gloss black | EA | \$3.44 | \$0.34 | 20 | 320 |
| XL777PLMS | Powerpoint coverplate 2 gang matt silver | EA | \$6.44 | \$0.64 | 20 | 320 |
| XL777PLSS | Powerpoint coverplate 2 gang stainless steel | EA | \$21.91 | \$2.19 | 20 | 320 |
| XL777PLPB | Powerpoint coverplate 2 gang polished brass | EA | \$6.44 | \$0.64 | 20 | 320 |
| XL777PLCR | Powerpoint coverplate 2 gang cream | EA | \$3.44 | \$0.34 | 20 | 320 |
| XLP777PLCR | Powerpoint coverplate 2 gang gloss cream | EA | \$3.44 | \$0.34 | 20 | 320 |
| XL777XPLWE | Powerpoint coverplate 2 gang with extra switch white | EA | \$3.26 | \$0.33 | 20 | 320 |
| XLP777XPLWE | Powerpoint coverplate 2 gang with extra switch gloss white | EA | \$3.26 | \$0.33 | 20 | 320 |
| XL777XPLBL | Powerpoint coverplate 2 gang with extra switch black | EA | \$3.44 | \$0.34 | 20 | 320 |
| XLP777XPLBL | Powerpoint coverplate 2 gang with extra switch gloss black | EA | \$3.44 | \$0.34 | 20 | 320 |
| XL777XPLMS | Powerpoint coverplate 2 gang with extra switch matt silver | EA | \$6.44 | \$0.64 | 20 | 320 |
| XL777XPLCR | Powerpoint coverplate 2 gang with extra switch cream | EA | \$3.44 | \$0.34 | 20 | 320 |
| XLP777XPLCR | Powerpoint coverplate 2 gang with extra switch gloss cream | EA | \$3.44 | \$0.34 | 20 | 320 |



New product



Energy Saving products



More info available.
See technical pages



Coming soon



Product to be discontinued

Whilst most items are stock lines some products are made to order. UoM = Unit Of Measure.
Prices are effective 1 June 2017 and are subject to change without notice. Trade prices exclude GST.

Excel

Coverplates and accessories



XLV777PLMS



XL7774PLWE



XLDC



XLTC



XLP770TOPLWE



XL1FB

| Cat.Nos | | UoM | Trade price \$ | GST \$ | Box qty | Carton qty |
|--|---|-----|----------------|--------|---------|------------|
| Powerpoint coverplates | | | | | | |
| Vertical powerpoint coverplates | | | | | | |
| XLPV777PLWE | Powerpoint coverplate vertical 2 gang gloss white | EA | \$3.26 | \$0.33 | 10 | 120 |
| XLV777PLMS | Powerpoint coverplate vertical 2 gang matt silver | EA | \$6.44 | \$0.64 | 10 | 120 |
| 4 gang powerpoint coverplate | | | | | | |
| XL7774PLWE | Powerpoint coverplate 4 gang white | EA | \$7.39 | \$0.74 | 5 | - |
| Double size coverplate | | | | | | |
| XLDC | Powerpoint coverplate vertical 4 gang double size white | EA | \$8.36 | \$0.84 | - | - |
| Triple size coverplate | | | | | | |
| XLTC | Powerpoint coverplate vertical 6 gang triple size white | EA | \$14.25 | \$1.42 | - | - |
| Phone coverplates | | | | | | |
| XL770TOPLWE | Phone coverplate horizontal 1 gang white | EA | \$3.26 | \$0.33 | 10 | - |
| XLP770TOPLWE | Phone coverplate horizontal 1 gang gloss white | EA | \$3.26 | \$0.33 | 10 | - |
| Paint blister | | | | | | |
| XL1FB | Paint blister for Excel range | EA | \$0.32 | \$0.03 | - | - |

Mechanisms

Switch mechanisms



770MWE



770/202MWE



770MHEATWE



770MLIGHTWE

| Cat.Nos | Rocker switch mechanisms - Single Pole Single Throw (SPST) | UoM | Trade price \$ | GST \$ | Box qty | Carton qty |
|--|---|-----|----------------|--------|---------|------------|
| 770MWE | Switch mech. 1 & 2 way 10A 240V a.c. white | EA | \$8.52 | \$0.85 | 10 | 120 |
| 770MBL | Switch mech. 1 & 2 way 10A 240V a.c. black | EA | \$8.55 | \$0.86 | 10 | 120 |
| 770MCR | Switch mech. 1 & 2 way 10A 240V a.c. cream | EA | \$8.55 | \$0.86 | 10 | 120 |
| 770/15MWE | Switch mech. 1 & 2 way 15A 240V a.c. white | EA | \$16.26 | \$1.63 | 10 | 120 |
| 770/15MBL | Switch mech. 1 & 2 way 15A 240V a.c. black | EA | \$16.26 | \$1.63 | 10 | 120 |
| 770/15MCR | Switch mech. 1 & 2 way 15A 240V a.c. cream | EA | \$16.26 | \$1.63 | 10 | 120 |
| 770/202MWE | Switch mech. 1 & 2 way 20A 240V a.c. white | EA | \$22.81 | \$2.28 | 10 | 120 |
| 770/202MBL | Switch mech. 1 & 2 way 20A 240V a.c. black | EA | \$22.81 | \$2.28 | 10 | 120 |
| 770/20MWE | Switch mech. 1 way 20A 240V a.c. white | EA | \$21.98 | \$2.20 | 10 | 120 |
| 770/20MBL | Switch mech. 1 way 20A 240V a.c. black | EA | \$21.98 | \$2.20 | 10 | 120 |
| 770/20MCR | Switch mech. 1 way 20A 240V a.c. cream | EA | \$21.98 | \$2.20 | 10 | 120 |
| 770/35MWE | Switch mech. 1 way 35A 240V a.c. white | EA | \$23.81 | \$2.38 | 10 | 120 |
| 770/35MBL | Switch mech. 1 way 35A 240V a.c. black | EA | \$23.81 | \$2.38 | 10 | 120 |
| 770/35MCR | Switch mech. 1 way 35A 240V a.c. cream | EA | \$23.81 | \$2.38 | 10 | 120 |
| Engraved rocker switch mechanisms - Single Pole Single Throw (SPST) | | | | | | |
| 770MFANWE | Switch mech. 10A 240V a.c. "Fan" engraved white | EA | \$14.49 | \$1.45 | 10 | 120 |
| 770MHEATWE | Switch mech. 10A 240V a.c. "Heat" engraved white | EA | \$14.49 | \$1.45 | 10 | 120 |
| 770MLIGHTWE | Switch mech. 10A 240V a.c. "Light" engraved white | EA | \$14.49 | \$1.45 | 10 | 120 |
| 770MPRINTWE | Switch mech. 10A 240V a.c. "Print" engraved white | EA | \$14.49 | \$1.45 | 10 | 120 |
| 770/35MENGWE | Switch mech. 1 way 35A 240V a.c. 1 word engraved white | EA | \$30.57 | \$3.06 | 10 | 120 |
| 770/35MH/PLATEW | Switch mech. 1 & 2 way 35A 240V a.c. "Hot plate" engraved white | EA | \$30.90 | \$3.09 | 10 | 120 |
| 770/35MHOBWE | Switch mech. 1 & 2 way 35A 240V a.c. "Hob" engraved white | EA | \$30.90 | \$3.09 | 10 | 120 |
| 770/35MRANGWE | Switch mech. 1 & 2 way 35A 240V a.c. "Range" engraved white | EA | \$30.90 | \$3.09 | 10 | 120 |
| 770/35MOVENWE | Switch mech. 1 way 35A 240V a.c. "Oven" engraved white | EA | \$30.90 | \$3.09 | 10 | 120 |
| 770/35MSTOVEWE | Switch mech. 1 way 35A 240V a.c. "Stove" engraved white | EA | \$30.90 | \$3.09 | 10 | 120 |
| Duo rocker switch mechanisms - 2 x Single Pole Single Throw (SPST) | | | | | | |
| 770DMWE | Switch mech. duo 1 way 10A 240V a.c. white | EA | \$21.34 | \$2.13 | 10 | 120 |
| 770DMBL | Switch mech. duo 1 way 10A 240V a.c. black | EA | \$21.34 | \$2.13 | 10 | 120 |
| 770DMCR | Switch mech. duo 1 way 10A 240V a.c. cream | EA | \$21.34 | \$2.13 | 10 | 120 |
| 770DMHEAT/HWE | Switch mech. duo 1 way 10A 240V a.c. "Heat" engraved x2 white | EA | \$26.64 | \$2.66 | 10 | 120 |



New product



Energy Saving products

More info available.
See technical pages

Coming soon



Product to be discontinued

Whilst most items are stock lines some products are made to order. UoM = Unit Of Measure.
Prices are effective 1 June 2017 and are subject to change without notice. Trade prices exclude GST.

Mechanisms

Switch mechanisms



770IMWE



769MWE



707MAM



770LLMWE



770RMWE

| Cat.Nos | Intermediate rocker switch mechanisms - Double-Pole Crossover (DPXT) | UoM | Trade price \$ | GST \$ | Box qty | Carton qty |
|------------|---|-----|----------------|--------|---------|------------|
| 770IMWE | Switch mech. intermediate 10A 240V a.c. white | EA | \$43.68 | \$4.37 | 10 | 120 |
| 770IMBL | Switch mech. intermediate 10A 240V a.c. black | EA | \$43.68 | \$4.37 | 10 | 120 |
| 770IMCR | Switch mech. intermediate 10A 240V a.c. cream | EA | \$43.68 | \$4.37 | 10 | 120 |
| | Rocker switch mechanisms - Double-Pole Single Throw (DPST) | | | | | |
| 769PMWE | Switch mech. double-pole 10A 240V a.c. white | EA | \$26.09 | \$2.61 | 10 | 120 |
| 769PMBL | Switch mech. double-pole 10A 240V a.c. black | EA | \$26.09 | \$2.61 | 10 | 120 |
| 769PMCR | Switch mech. double-pole 10A 240V a.c. cream | EA | \$26.09 | \$2.61 | 10 | 120 |
| 768PMWE | Switch mech. double-pole 10A 240V a.c. red dot white | EA | \$26.04 | \$2.60 | 10 | 120 |
| 769P15MWE | Switch mech. double-pole 15A 240V a.c. white | EA | \$39.07 | \$3.91 | 10 | 120 |
| 769P15MBL | Switch mech. double-pole 15A 240V a.c. black | EA | \$39.07 | \$3.91 | 10 | 120 |
| 769P20MWE | Switch mech. double-pole 20A 240V a.c. white | EA | \$46.89 | \$4.69 | 10 | 120 |
| 769P20MBL | Switch mech. double-pole 20A 240V a.c. black | EA | \$46.89 | \$4.69 | 10 | 120 |
| | Rocker switch mechanisms - Double-Pole Double Throw (DPDT) | | | | | |
| 769MWE | Switch mech. double pole 10A 240V a.c. white | EA | \$53.37 | \$5.34 | 10 | 120 |
| 769MBL | Switch mech. double pole 10A 240V a.c. black | EA | \$53.37 | \$5.34 | 10 | 120 |
| 769MCR | Switch mech. double pole 10A 240V a.c. cream | EA | \$53.37 | \$5.34 | 10 | 120 |
| | Indicators | | | | | |
| 707MAM | Indicating light mechanism 240V a.c. amber | EA | \$36.56 | \$3.66 | 10 | 120 |
| 707MRED | Indicating light mechanism 240V a.c. red | EA | \$32.33 | \$3.23 | 10 | 120 |
| 707SM24VGR | Indicating light mechanism 24V a.c. green | EA | \$37.81 | \$3.78 | 10 | 120 |
| | Illuminated 1 & 2 way - Single Pole Double Throw (SPDT) | | | | | |
| 770LLMWE | Switch mech. self illuminated 10A 240V a.c. white | EA | \$33.08 | \$3.31 | 10 | 120 |
| 770LLMBL | Switch mech. self illuminated 10A 240V a.c. black | EA | \$30.81 | \$3.08 | 10 | 120 |
| 770LLMCR | Switch mech. self illuminated 10A 240V a.c. cream | EA | \$30.81 | \$3.08 | 10 | 120 |
| 770LL15MWE | Switch mech. self illuminated 15A 240V a.c. white | EA | \$37.40 | \$3.74 | 10 | 120 |
| 770LL20MWE | Switch mech. self illuminated 20A 240V a.c. white | EA | \$39.49 | \$3.95 | 10 | 120 |
| | Rocker mechanisms with red dot - Single Pole Double Throw (SPDT) | | | | | |
| 770RMWE | Switch mech. 10A 240V a.c. with red dot white | EA | \$11.88 | \$1.19 | 10 | 120 |
| 770RMBL | Switch mech. 10A 240V a.c. with red dot black | EA | \$11.88 | \$1.19 | 10 | 120 |
| 770RMCR | Switch mech. 10A 240V a.c. with red dot cream | EA | \$11.88 | \$1.19 | 10 | 120 |

Mechanisms

Switch mechanisms



770XMWE



NX770MWE



NXC770MWE



883MBL



870IMWE

| Cat.Nos | Spring return rocker switch mechanisms - Single Pole Double Throw (SPDT) non-latching | UoM | Trade price \$ | GST \$ | Box qty | Carton qty |
|--------------|--|-----|----------------|--------|---------|------------|
| 770XMWE | Switch mech. spring return 15A 240V a.c. white | EA | \$9.47 | \$0.95 | 10 | 120 |
| 770XMBL | Switch mech. spring return 15A 240V a.c. black | EA | \$9.47 | \$0.95 | 10 | 120 |
| | Push-button mechanisms | | | | | |
| | Mechanical - normally open - non-latching | | | | | |
| NX770MWE | Switch mech. 5A 240V a.c. white | EA | \$9.04 | \$0.90 | 10 | 120 |
| NX770MBL | Switch mech. 5A 240V a.c. black | EA | \$9.48 | \$0.95 | 10 | 120 |
| NL770/4MWE | Switch mech. with LED independently connected 5A 240V a.c. white | EA | \$37.95 | \$3.80 | 10 | 120 |
| NL770/4MRED | Switch mech. with LED independently connected 5A 240V a.c. red | EA | \$37.95 | \$3.80 | 10 | 120 |
| NL770MWE | Switch mech. with LED on when contact is open 5A 240V a.c. white | EA | \$32.50 | \$3.25 | 10 | 120 |
| | Mechanical - normally closed - non-latching | | | | | |
| NXC770MWE | Switch mech. NC, non-latching green body 5A 240V a.c. white | EA | \$11.11 | \$1.11 | 10 | 120 |
| NLC770/5MWE | Switch mech. with LED independently connected 5A 240V a.c. white | EA | \$33.17 | \$3.32 | 10 | 120 |
| | Mechanical - normally open - non-latching - extra low voltage | | | | | |
| NX770ELV24WE | Switch mech. push-button 24V d.c. white | EA | \$36.48 | \$3.65 | 10 | 120 |
| NL770ELV24WE | Switch mech. push-button 24V d.c. with red LED 10mA white | EA | \$41.18 | \$4.12 | 10 | 120 |
| | Mechanical - single & double pole changeover - non-latching | | | | | |
| NCH770MWE | Switch mech. single pole changeover 5A 240V a.c. white | EA | \$13.75 | \$1.38 | 10 | 120 |
| | Electronic - single pole | | | | | |
| 883MWE | Push-button 3 wire 5A 240V a.c. with LED white | EA | \$56.30 | \$5.63 | 10 | 120 |
| 883MBL | Push-button 3 wire 5A 240V a.c. with LED black | EA | \$56.30 | \$5.63 | 10 | 120 |
| 883MCR | Push-button 3 wire 5A 240V a.c. with LED cream | EA | \$56.30 | \$5.63 | 10 | 120 |
| | Mechanical - single pole | | | | | |
| 870MWE | Push-button 10A 240V a.c. white | EA | \$10.24 | \$1.02 | 10 | 120 |
| 870MBL | Push-button 10A 240V a.c. black | EA | \$10.24 | \$1.02 | 10 | 120 |
| 870MCR | Push-button 10A 240V a.c. cream | EA | \$10.24 | \$1.02 | 10 | 120 |
| | Mechanical intermediate - single pole | | | | | |
| 870IMWE | Push-button intermediate 10A 240V a.c. white | EA | \$52.41 | \$5.24 | 10 | 120 |
| 870IMBL | Push-button intermediate 10A 240V a.c. black | EA | \$52.41 | \$5.24 | 10 | 120 |
| 870IMCR | Push-button intermediate 10A 240V a.c. cream | EA | \$52.41 | \$5.24 | 10 | 120 |



New product



Energy Saving products

More info available.
See technical pages

Coming soon



Product to be discontinued

Whilst most items are stock lines some products are made to order. UoM = Unit Of Measure.
Prices are effective 1 June 2017 and are subject to change without notice. Trade prices exclude GST.

Mechanisms

Switch mechanisms



770RS270MWE



























250LMWE



400LMWE



KNOB1WE

| Cat.Nos | | UoM | Trade price \$ | GST \$ | Box qty | Carton qty |
|--|---|-----|----------------|---------|---------|------------|
| Rotary switches | | | | | | |
| 770RS180MWE | Rotary switch mech. 3 positions 180° 15A 240V a.c. white | EA | \$13.91 | \$1.39 | 10 | 120 |
| 770RS270MWE | Rotary switch mech. 4 positions 270° 15A 240V a.c. white | EA | \$13.91 | \$1.39 | 10 | 120 |
| 770RS360MWE | Rotary switch mech. 4 positions 360° 15A 240V a.c. white | EA | \$13.91 | \$1.39 | 10 | 120 |
| Keytag switches | | | | | | |
| 770/20KTM | Keytag mech. 1 way & loop 20A 240V a.c. white | EA | \$22.58 | \$2.26 | 10 | 120 |
| 770/202KTM | Keytag mech. 1-2 way & loop 20A 240V a.c. white | EA | \$21.77 | \$2.18 | 10 | 120 |
| Keylock switches - vertical | | | | | | |
| 770KLIMWE | Keylock switch 10A 240V a.c. removable ON position white | EA | \$83.48 | \$8.35 | 10 | - |
| 770KLIOMWE | Keylock switch 10A 240V a.c. removable ON/OFF position white | EA | \$76.80 | \$7.68 | 10 | - |
| 770KLOMWE | Keylock switch 10A 240V a.c. removable OFF position white | EA | \$83.48 | \$8.35 | 10 | - |
| Rotary dimmers | | | | | | |
| Leading edge | | | | | | |
| 250LMWE | Rotary dimmer leading edge 2 wire 250VA 240V a.c. white   | EA | \$48.22 | \$4.82 | 20 | 400 |
| 250LMBL | Rotary dimmer leading edge 2 wire 250VA 240V a.c. black   | EA | \$48.22 | \$4.82 | 20 | 400 |
| 250LMCR | Rotary dimmer leading edge 2 wire 250VA 240V a.c. cream   | EA | \$48.22 | \$4.82 | 20 | 400 |
| 400LMWE | Rotary dimmer leading edge 2 wire 400VA 240V a.c. white   | EA | \$63.93 | \$6.39 | 20 | 400 |
| 400LMBL | Rotary dimmer leading edge 2 wire 400VA 240V a.c. black   | EA | \$63.93 | \$6.39 | 20 | 400 |
| 700LMWE | Rotary dimmer leading edge 2 wire 700VA 240V a.c. white   | EA | \$115.75 | \$11.58 | 20 | 400 |
| 1000LMWE | Rotary dimmer leading edge 2 wire 1000VA 240V a.c. white   | EA | \$194.07 | \$19.41 | 20 | 400 |
| Trailing edge | | | | | | |
| 250TMWE | Rotary dimmer trailing edge 2 wire 250VA 240V a.c. white   | EA | \$50.40 | \$5.04 | 20 | 400 |
| 250TMBL | Rotary dimmer trailing edge 2 wire 250VA 240V a.c. black   | EA | \$50.40 | \$5.04 | 20 | 400 |
| 250TMCR | Rotary dimmer trailing edge 2 wire 250VA 240V a.c. cream   | EA | \$50.40 | \$5.04 | 20 | 400 |
| 400TMWE | Rotary dimmer trailing edge 2 wire 400VA 240V a.c. white   | EA | \$76.77 | \$7.68 | 20 | 400 |
| 400TMBL | Rotary dimmer trailing edge 2 wire 400VA 240V a.c. black   | EA | \$76.77 | \$7.68 | 20 | 400 |
| 400TMCR | Rotary dimmer trailing edge 2 wire 400VA 240V a.c. cream   | EA | \$76.77 | \$7.68 | 20 | 400 |
| 700TMWE | Rotary dimmer trailing edge 2 wire 700VA 240V a.c. white   | EA | \$114.78 | \$11.48 | 20 | 400 |
| 1000TMWE | Rotary dimmer trailing edge 2 wire 1000VA 240V a.c. white   | EA | \$181.15 | \$18.12 | 20 | 400 |
| Dimmer & fan controller knobs | | | | | | |
| KNOB1WE | Dimmer & fan knob rotary white | EA | \$3.31 | \$0.33 | 10 | - |
| KNOB1BL | Dimmer & fan knob rotary black | EA | \$3.31 | \$0.33 | 10 | - |
| KNOB1CR | Dimmer & fan knob rotary cream | EA | \$3.31 | \$0.33 | 10 | - |

Mechanisms

Dimmer mechanisms & fan controllers



400A2PMWE



450SMWE




300FMWE



3SPKNOBWE



3SPKNOBCR

| Cat.Nos | | UoM | Trade price \$ | GST \$ | Box qty | Carton qty |
|-----------|---|-----|----------------|--------|---------|------------|
| | Push-button dimmers | | | | | |
| | Electronic - primary | | | | | |
| 400A2PMWE | Push-button dimmer mech. 2 wire 400VA 240V a.c. white | EA | \$78.77 | \$7.88 | 20 | 200 |
| | Secondary | | | | | |
| 450SMWE | Push-button secondary mech. universal 2 wire 450W 240V a.c. white  | EA | \$38.47 | \$3.85 | 20 | 400 |
| | Fan controllers | | | | | |
| 300FMWE | Fan controller rotary variable speed 300VA 240V a.c. white | EA | \$59.77 | \$5.98 | 20 | 160 |
| 475/2M | Fan controller rotary 3 speed de-hummer 100VA 240V a.c. white | EA | \$70.48 | \$7.05 | 10 | - |
| | Fan knobs | | | | | |
| 3SPKNOBWE | Knob for 475/2M series fans white | EA | \$2.86 | \$0.29 | 10 | 100 |
| 3SPKNOBBL | Knob for 475/2M series fans black | EA | \$2.86 | \$0.29 | 10 | 100 |
| 3SPKNOBCR | Knob for 475/2M series fans cream | EA | \$2.86 | \$0.29 | 10 | 100 |



New product



Energy Saving products



More info available.
See technical pages



Coming soon



Product to be discontinued

Whilst most items are stock lines some products are made to order. UoM = Unit Of Measure.
Prices are effective 1 June 2017 and are subject to change without notice. Trade prices exclude GST.

Mechanisms

Phone, TV, data and AV sockets



770USB2PSAMWE



770USB2PSXMWE



770CXMWE



SWFFC02



1310FSWE

| Cat.Nos | | UoM | Trade price \$ | GST \$ | Box qty | Carton qty |
|---|---|-----|----------------|--------|---------|------------|
| USB charger mechanisms | | | | | | |
| For plasterboard or single brick installations - Dual type A | | | | | | |
| 770USB2PSAMWE | USB charger mech. 2 x 2.4A 250V a.c. white | EA | \$54.08 | \$5.41 | - | 12 |
| 770USB2PSAMBL | USB charger mech. 2 x 2.4A 250V a.c. black | EA | \$56.16 | \$5.62 | - | 12 |
| For wall box, fire box or double brick installations - Dual type A | | | | | | |
| 770USB2PSXMWE | USB charger mech. 2 x 2.4A 250V a.c. with inline connector white | EA | \$60.33 | \$6.03 | - | 12 |
| 770USB2PSXMABL | USB charger mech. 2 x 2.4A 250V a.c. with inline connector black | EA | \$62.42 | \$6.24 | - | 12 |
| For plasterboard or single brick installations - Dual type A&C | | | | | | |
| 770USB2ACMWE | USB charger mech. dual type A&C 2x2.4A white | EA | \$60.90 | \$6.09 | - | 12 |
| For plasterboard or single brick installations - Single type C | | | | | | |
| 770USB1CMWE | USB charger mech. single type C USB charger 45W white | EA | \$70.90 | \$7.09 | - | 12 |
| TV mechanisms | | | | | | |
| TV sockets | | | | | | |
| 770L12CXWE | TV mech. loop circuit tap loss 12dB insertion loss 1.6db white | EA | \$38.83 | \$3.88 | 10 | - |
| 770L16CXWE | TV mech. loop circuit tap loss 16dB insertion loss 1.3db white | EA | \$38.83 | \$3.88 | 10 | - |
| Coax connectors | | | | | | |
| 770CXMWE | PAL to saddle white | EA | \$6.81 | \$0.68 | 10 | - |
| 770CXMBL | PAL to saddle black | EA | \$6.81 | \$0.68 | 10 | - |
| 770CXMCR | PAL to saddle cream | EA | \$6.81 | \$0.68 | 10 | - |
| D770CXFP | Coaxial female plug top 75 Ohm white | EA | \$3.49 | \$0.35 | 10 | 400 |
| D770CXP | Coaxial TV plug top 75 Ohm white | EA | \$3.24 | \$0.32 | 10 | 160 |
| F connectors | | | | | | |
| 800FWE | F connector socket 75 Ohm 3.06Ghz white | EA | \$4.99 | \$0.50 | 10 | - |
| 800FBL | F connector socket 75 Ohm 3.06Ghz black | EA | \$4.99 | \$0.50 | 10 | - |
| 800FCR | F connector socket 75 Ohm 3.06Ghz cream | EA | \$4.99 | \$0.50 | 10 | - |
| SWFFC02 | F connector socket 75 Ohm 3.06Ghz Foxtel approved F30725 white | EA | \$6.58 | \$0.66 | 10 | 500 |
| Female to PAL connectors | | | | | | |
| 1310FSWE | F connector socket female to PAL white | EA | \$6.86 | \$0.69 | 10 | 400 |
| 1310FSBL | F connector socket female to PAL black | EA | \$6.86 | \$0.69 | 10 | 400 |
| 1310FSCR | F connector socket female to PAL cream | EA | \$6.86 | \$0.69 | 10 | 400 |
| 1310F6 | F connector for RG6 cable connection male fitting crimp type pack of 10 white | EA | \$12.89 | \$1.29 | 10 | 2000 |
| 1310FL | F connector right-angled bracket with male & female end pack of 10 white | EA | \$39.94 | \$3.99 | 10 | 100 |



New product



Energy Saving products

More info available.
See technical pages

Coming soon



Product to be discontinued

Mechanisms

Phone, TV, data and AV sockets



1311S2

| Cat.Nos | TV mechanisms | UoM | Trade price \$ | GST \$ | Box qty | Carton qty |
|---------|--|-----|----------------|--------|---------|------------|
| | Passive filters | | | | | |
| 1311S2 | Passive filter for VHF, UHF & CATV signals 2 way 5-1000Mhz | EA | \$29.87 | \$2.99 | 10 | 200 |
| 1311S4 | Passive filter for VHF, UHF & CATV signals 4 way 5-1000Mhz | EA | \$40.47 | \$4.05 | 10 | 200 |
| 1312S2 | Passive filter for VHF, UHF & CATV signals 2 way 5-2050Mhz | EA | \$37.70 | \$3.77 | 10 | 200 |
| 1312S4 | Passive filter for VHF, UHF & CATV signals 4 way 5-2050Mhz | EA | \$63.28 | \$6.33 | 10 | 200 |



New product



Energy Saving products



More info available.
See technical pages



Coming soon



Product to be discontinued

Whilst most items are stock lines some products are made to order. UoM = Unit Of Measure.
Prices are effective 1 June 2017 and are subject to change without notice. Trade prices exclude GST.

Mechanisms

Phone, TV, data and AV sockets



RJ6P4C3/1



RJ6P4C3/2



RJ6P4C3/1



RJ8P8C6/1BL

| Cat.Nos | Phone mechanisms | UoM | Trade price \$ | GST \$ | Box qty | Carton qty |
|-----------------|---|-----|----------------|--------|---------|------------|
| RJ6P4C3/1 | RJ45 socket Cat3 white | EA | \$9.95 | \$1.00 | 20 | 240 |
| RJ6P4C3/2 | RJ45 socket Cat3 universal plates | EA | \$9.95 | \$1.00 | 20 | 240 |
| 800RJU/HWE | Adaptor for tel & data Keystone style C white | EA | \$1.93 | \$0.19 | 20 | 240 |
| Data mechanisms | | | | | | |
| RJ8P8C5E/1 | RJ45 socket Cat5E white | EA | \$11.30 | \$1.13 | 20 | 240 |
| RJ8P8C5E/2 | RJ45 socket Cat5E universal plates | EA | \$11.30 | \$1.13 | 20 | 240 |
| RJ8P8C5E/1YE | RJ45 socket Cat5E yellow | EA | \$12.98 | \$1.30 | 20 | 240 |
| RJ8P8C6/1 | RJ45 socket Cat6 white | EA | \$13.66 | \$1.37 | 20 | 240 |
| RJ8P8C6/2 | RJ45 socket Cat6 universal plates | EA | \$13.66 | \$1.37 | 20 | 240 |
| RJ8P8C6/1BL | RJ45 socket Cat6 black | EA | \$15.70 | \$1.57 | 20 | 240 |

Como for aged care buildings

Switches



CM910/1HLWE



CM910/1HWE



CM920/2HRDWE



CM920/3HNWE



CM910/1WE



CM920/2WE

| Cat.Nos | Horizontal switches | UoM | Trade price \$ | GST \$ | Box qty | Carton qty |
|---|--|-----|----------------|--------|---------|------------|
| Rocker switches - Single Pole Double Throw | | | | | | |
| CM910/1HLWE | Switch large 1 gang 10A 240V a.c. white | EA | \$17.60 | \$1.76 | 10 | 120 |
| CM910/1HRDLWE | Switch large 1 gang 10A 240V a.c. with red line white | EA | \$17.60 | \$1.76 | 10 | 120 |
| CM910/1HLNWE | Switch large 1 gang 10A 240V a.c. with neon white | EA | \$28.75 | \$2.88 | 10 | 120 |
| CM910/1IMHLWE | Intermediate switch large 1 gang 10A 240V a.c. white | EA | \$49.51 | \$4.95 | 10 | 120 |
| CM910/1HWE | Switch 1 gang 10A 240V a.c. white | EA | \$16.64 | \$1.66 | 10 | 120 |
| CM910/1HNWE | Switch 1 gang 10A 240V a.c. with neon white | EA | \$27.76 | \$2.78 | 10 | 120 |
| CM910/1HRDWE | Switch 1 gang 10A 240V a.c. with red line white | EA | \$16.64 | \$1.66 | 10 | 120 |
| CM910/1IMHRDWE | Intermediate switch 1 gang 10A 240V a.c. with red line white | EA | \$48.40 | \$4.84 | 10 | 120 |
| CM910/1IMHWE | Intermediate switch 1 gang 10A 240V a.c. white | EA | \$48.40 | \$4.84 | 10 | 120 |
| CM910/15HNWE | Switch 1 gang 15A 240V a.c. with neon white | EA | \$33.16 | \$3.32 | 10 | 120 |
| CM910/35HWE | Isolator switch 1 gang 35A 240V a.c. white | EA | \$31.21 | \$3.12 | 10 | 120 |
| CM920/2HWE | Switch 2 gang 10A 240V a.c. white | EA | \$24.66 | \$2.47 | 10 | 120 |
| CM920/2HNWE | Switch 2 gang 10A 240V a.c. with neon white | EA | \$47.75 | \$4.78 | 10 | 120 |
| CM920/2HRDWE | Switch 2 gang 10A 240V a.c. with red line white | EA | \$24.66 | \$2.47 | 10 | 120 |
| CM920/3HWE | Switch 3 gang 10A 240V a.c. white | EA | \$36.58 | \$3.66 | 10 | 120 |
| CM920/3HNWE | Switch 3 gang 10A 240V a.c. with neon white | EA | \$81.55 | \$8.16 | 10 | 120 |
| CM920/3HRDWE | Switch 3 gang 10A 240V a.c. with red line white | EA | \$36.58 | \$3.66 | 10 | 120 |
| Dimmers | | | | | | |
| CM400LHWE | Rotary dimmer leading edge 2 wire 400VA 240V a.c. white | EA | \$77.52 | \$7.75 | 6 | 72 |
| CM400THWE | Rotary dimmer trailing edge 2 wire 400VA 240V a.c. white | EA | \$87.56 | \$8.76 | 6 | 72 |
| Fan controller | | | | | | |
| CM920/1FC3HWE | Fan controller 3 speed 100VA white | EA | \$78.84 | \$7.88 | 6 | 72 |
| Vertical switches | | | | | | |
| Rocker switches - Single Pole Double Throw | | | | | | |
| CM910/1WE | Switch 1 gang 10A 240V a.c. white | EA | \$16.64 | \$1.66 | 10 | 120 |
| CM910/1NWE | Switch 1 gang 10A 240V a.c. with neon white | EA | \$27.76 | \$2.78 | 10 | 120 |
| CM910/1RDWE | Switch 1 gang 10A 240V a.c. with red line white | EA | \$16.64 | \$1.66 | 10 | 120 |
| CM910/1IMWE | Intermediate switch 1 gang 10A 240V a.c. white | EA | \$48.40 | \$4.84 | 10 | 120 |
| CM910XWE | Push-button switch 1 gang 10A 240V a.c. white | EA | \$19.05 | \$1.90 | 10 | 120 |
| CM920/2WE | Switch 2 gang 10A 240V a.c. white | EA | \$24.66 | \$2.47 | 10 | 120 |
| CM920/2NWE | Switch 2 gang 10A 240V a.c. with neon white | EA | \$46.91 | \$4.69 | 10 | 120 |
| CM920/2RDWE | Switch 2 gang 10A 240V a.c. with red line white | EA | \$24.66 | \$2.47 | 10 | 120 |



New product



Energy Saving products



More info available.
See technical pages



Coming soon



Product to be discontinued

Whilst most items are stock lines some products are made to order. UoM = Unit Of Measure.
Prices are effective 1 June 2017 and are subject to change without notice. Trade prices exclude GST.

Como for aged care buildings

Switches



CM940/3WE



CM940/4NWE



CM940/6WE



CM400T/2WE



CM400TSW/2WE



CM910FC3WE

| Cat.Nos | Vertical switches | UoM | Trade price \$ | GST \$ | Box qty | Carton qty |
|------------------------|---|-------------|----------------|---------|---------|------------|
| CM940/3WE | Switch 3 gang 10A 240V a.c. white | EA | \$43.34 | \$4.33 | 4 | 48 |
| CM940/3RDWE | Switch 3 gang 10A 240V a.c. with red line white | EA | \$36.58 | \$3.66 | 4 | 48 |
| CM940/4WE | Switch 4 gang 10A 240V a.c. white | EA | \$48.35 | \$4.84 | 5 | 60 |
| CM940/4NWE | Switch 4 gang 10A 240V a.c. with neon white | EA | \$93.60 | \$9.36 | 5 | 60 |
| CM940/4RDWE | Switch 4 gang 10A 240V a.c. with red line white | EA | \$48.35 | \$4.84 | 5 | 60 |
| CM940/6WE | Switch 6 gang 10A 240V a.c. white | EA | \$71.04 | \$7.10 | 4 | 48 |
| CM910/15WE | Switch 1 gang 15A 240V a.c. white | EA | \$22.00 | \$2.20 | 10 | 120 |
| CM910/15NWE | Switch 1 gang 15A 240V a.c. with neon white | EA | \$33.16 | \$3.32 | 10 | 120 |
| CM910/20DPRDWE | Switch 1 gang 20A 240V a.c. double-pole with red line white | N EA | \$22.41 | \$2.24 | 10 | 120 |
| CM910/35WE | Isolator switch 1 gang 35A 240V a.c. white | EA | \$30.41 | \$3.04 | 10 | 120 |
| CM910/35RDWE | Isolator switch 1 gang 35A 240V a.c. with red line white | EA | \$30.41 | \$3.04 | 10 | 120 |
| Dimmers | | | | | | |
| CM400TWE | Rotary dimmer trailing edge 2 wire 400VA 240V a.c. white | EA | \$87.32 | \$8.73 | 6 | 72 |
| CM400T/2WE | Rotary dimmer trailing edge 2 wire 400VA 240V a.c. with 2x10A switches white | EA | \$173.06 | \$17.31 | 4 | 48 |
| CM400TSW/2WE | Rotary dimmer trailing edge 2 wire 400VA 240V a.c. with 3x10A switches white | EA | \$116.49 | \$11.65 | 4 | 48 |
| CM400TSW/2NWE | Rotary dimmer trailing edge 2 wire 400VA 240V a.c. with 3x10A switches & neon white | EA | \$155.19 | \$15.52 | 4 | 48 |
| Fan controllers | | | | | | |
| CM910FC3WE | Fan controller 1 gang 3 speed 100VA white | EA | \$65.80 | \$6.58 | 6 | 72 |
| CM920/1FC3WE | Fan controller 2 gang with 10A switch 3 speed 100VA white | EA | \$78.58 | \$7.86 | 6 | 72 |



New product



Energy Saving products



More info available.
See technical pages



Coming soon



Product to be discontinued

Como for aged care buildings

Powerpoints



CM787WE



CM787NWE



CM787/15NWE



CM777AWE



CM777WE



CM777NWE

| Cat.Nos | Horizontal powerpoints | UoM | Trade price \$ | GST \$ | Box qty | Carton qty |
|-----------------------------|--|-----|----------------|--------|---------|------------|
| Single powerpoints | | | | | | |
| CM787WE | Powerpoint 1 gang 10A 240V a.c. with switch white | EA | \$19.42 | \$1.94 | 6 | 72 |
| CM787NWE | Powerpoint 1 gang 10A 240V a.c. with switch & neon white | EA | \$23.95 | \$2.40 | 6 | 72 |
| CM787/15WE | Powerpoint 1 gang 15A 240V a.c. white | EA | \$42.25 | \$4.22 | 6 | 72 |
| CM787/15NWE | Powerpoint 1 gang 15A 240V a.c. with neon white | EA | \$53.38 | \$5.34 | 6 | 72 |
| Double powerpoints | | | | | | |
| CM777AWE | Powerpoint 2 gang 10A 240V a.c. autoswitch with LED white | EA | \$32.06 | \$3.21 | 10 | 120 |
| Vertical powerpoints | | | | | | |
| Double powerpoints | | | | | | |
| CM777WE | Powerpoint 2 gang 10A 240V a.c. square plate white | EA | \$33.42 | \$3.34 | 4 | 48 |
| CM777NWE | Powerpoint 2 gang 10A 240V a.c. with neon square plate white | EA | \$46.83 | \$4.68 | 4 | 48 |



New product



Energy Saving products



More info available.
See technical pages



Coming soon



Product to be discontinued

Whilst most items are stock lines some products are made to order. UoM = Unit Of Measure.
Prices are effective 1 June 2017 and are subject to change without notice. Trade prices exclude GST.

Como for aged care buildings

Phone, TV, data and AV sockets



CM910/1FFWE



CM920/2FFWE



CM920/2RJ45HWE



CM920/2RJ45FHWE



CM920/2RJ45PHWE



CM940/4RJFFPWE

| Cat.Nos | | UoM | Trade price \$ | GST \$ | Box qty | Carton qty |
|-------------------------|--|-----|----------------|--------|---------|------------|
| Horizontal | | | | | | |
| TV sockets | | | | | | |
| CM910/1FFWE | A/V socket 1 gang F type white | EA | \$13.69 | \$1.37 | 10 | 120 |
| CM910/1PWE | A/V socket 1 gang Pal to F type white | EA | \$14.98 | \$1.50 | 10 | 120 |
| CM920/2FFWE | A/V socket 2 gang F type white | EA | \$23.95 | \$2.40 | 10 | 120 |
| RJ45 sockets | | | | | | |
| CM910/1RJ45HWE | A/V socket 1 gang RJ45 Cat6 white | EA | \$21.49 | \$2.15 | 10 | 120 |
| CM920/2RJ45HWE | A/V socket 2 gang RJ45 Cat6 white | EA | \$39.44 | \$3.94 | 10 | 120 |
| Combined outlets | | | | | | |
| CM920/2RJ45FHWE | A/V socket 2 gang RJ45 & F type white | EA | \$31.60 | \$3.16 | 10 | 120 |
| CM920/2RJ45PHWE | A/V socket 2 gang Pal to F type & RJ45 Cat6 white | EA | \$32.92 | \$3.29 | 10 | 120 |
| Vertical | | | | | | |
| Combined outlets | | | | | | |
| CM940/4RJFFPWE | A/V socket 4 gang Pal & F type & blank & RJ45 Cat6 white | EA | \$50.51 | \$5.05 | 4 | 48 |



New product



Energy Saving products



More info available.
See technical pages



Coming soon



Product to be discontinued

Como for aged care buildings

Mechanisms



CMM910WE



CMM910RNWE



CMM910LNWE



CMM920/3WE



CMM787RWE



CMM400TWE

| Cat.Nos | Switch mechanisms | UoM | Trade price \$ | GST \$ | Box qty | Carton qty |
|-------------|---|-----|----------------|--------|---------|------------|
| CMM910WE | Switch mech. 10A 240V a.c. white | EA | \$8.40 | \$0.84 | 10 | 120 |
| CMM910RWE | Switch mech. 10A 240V a.c. right side white | EA | \$8.40 | \$0.84 | 10 | 120 |
| CMM910LWE | Switch mech. 10A 240V a.c. left side white | EA | \$8.40 | \$0.84 | 10 | 120 |
| CMM910NWE | Switch mech. 10A 240V a.c. with neon white | EA | \$20.93 | \$2.09 | 10 | 120 |
| CMM910RNWE | Switch mech. 10A 240V a.c. with neon right side white | EA | \$20.93 | \$2.09 | 10 | 120 |
| CMM910LNWE | Switch mech. 10A 240V a.c. with neon left side white | EA | \$20.93 | \$2.09 | 10 | 120 |
| CMM910RDWE | Switch mech. 10A 240V a.c. with red line white | EA | \$8.40 | \$0.84 | 10 | 120 |
| CMM910RRDWE | Switch mech. 10A 240V a.c. with red line right side white | EA | \$8.40 | \$0.84 | 10 | 120 |
| CMM910LRDWE | Switch mech. 10A 240V a.c. with red line left side white | EA | \$8.40 | \$0.84 | 10 | 120 |
| CMM910VWE | Switch mech. 10A 240V a.c. vertical white | EA | \$9.12 | \$0.91 | 10 | 120 |
| CMM910VNWE | Switch mech. 10A 240V a.c. with neon vertical white | EA | \$14.16 | \$1.42 | 10 | 120 |
| CMM910IMWE | Intermediate switch mech. 10A 240V a.c. white | EA | \$42.71 | \$4.27 | 10 | 120 |
| CMM910XWE | Switch mech. 10A 240V a.c. spring return white | EA | \$8.40 | \$0.84 | 10 | 120 |
| CMM920/3NWE | Switch mech. 3 gang 10A 240V a.c. with neon white | EA | \$39.78 | \$3.98 | 10 | 120 |
| CMM920/3WE | Switch mech. 3 gang 10A 240V a.c. white | EA | \$20.99 | \$2.10 | 10 | 120 |
| CMM910/15WE | Switch mech. 15A 240V a.c. white | EA | \$15.35 | \$1.54 | 10 | 120 |
| CMM910/35WE | Isolator switch mech. 35A 240V a.c. white | EA | \$21.94 | \$2.19 | 10 | 120 |
| | Powerpoints | | | | | |
| | Single powerpoints | | | | | |
| CMM787RWE | Powerpoint mech. single 10A 240V a.c. autoswitch right side white | EA | \$15.39 | \$1.54 | 10 | 120 |
| CMM787LWE | Powerpoint mech. single 10A 240V a.c. autoswitch left side white | EA | \$15.39 | \$1.54 | 10 | 120 |
| | Dimmer mechanisms | | | | | |
| | Trailing edge | | | | | |
| CMM400TWE | Rotary dimmer trailing edge 2 wire 400VA 240V a.c. white | EA | \$74.00 | \$7.40 | 10 | 120 |
| | Dimmer knobs | | | | | |
| CMKNOBWE | Dimmer knob white | EA | \$3.13 | \$0.31 | 10 | 120 |



New product



Energy Saving products



More info available.
See technical pages



Coming soon



Product to be discontinued

Whilst most items are stock lines some products are made to order. UoM = Unit Of Measure.
Prices are effective 1 June 2017 and are subject to change without notice. Trade prices exclude GST.

Como for aged care buildings

Mechanisms



CMM910FFWE



CMM910PWE



CMM920PRWE











CMMRJ45C6WE



CM910MBLANKWE



CMM920/770AWE

| Cat.Nos | Phone, TV, data and AV sockets | UoM | Trade price \$ | GST \$ | Box qty | Carton qty |
|-------------------------------------|---|-----|----------------|---------|---------|------------|
| TV mechanisms | | | | | | |
| CMM910FFWE | TV mech. 1 gang F type 3GHz white | EA | \$5.51 | \$0.55 | 10 | 120 |
| CMM920FFLWE | TV mech. 2 gang F type 3GHz left side white | EA | \$5.51 | \$0.55 | 10 | 120 |
| CMM920FFRWE | TV mech. 2 gang F type 3GHz right side white | EA | \$5.51 | \$0.55 | 10 | 120 |
| CMM910PWE | TV mech. 1 gang PAL to F type white | EA | \$6.67 | \$0.67 | 10 | 120 |
| CMM920PLWE | TV mech. 2 gang PAL to F type left side white | EA | \$6.67 | \$0.67 | 10 | 120 |
| CMM920PRWE | TV mech. 2 gang PAL to F type right side white | EA | \$6.67 | \$0.67 | 10 | 120 |
| RJ45 sockets | | | | | | |
| CMMRJ45C6WE | RJ45 mech. Cat6 UTP white | EA | \$14.68 | \$1.47 | 10 | 120 |
| CMMRJ45C6LWE | RJ45 mech. Cat6 UTP left side white | EA | \$14.68 | \$1.47 | 10 | 120 |
| CMMRJ45C6RWE | RJ45 mech. Cat6 UTP right side white | EA | \$14.68 | \$1.47 | 10 | 120 |
| Blank inserts & adaptors | | | | | | |
| CM910MBLANKWE | Blank insert white | EA | \$5.18 | \$0.52 | 20 | 240 |
| CMM910/770AWE | Adaptor for 770 mechs 1 gang white | EA | \$3.68 | \$0.37 | 20 | 240 |
| CMM920/770AWE | Adaptor for 770 mechs 2 gang white | EA | \$3.68 | \$0.37 | 20 | 240 |
| Electronic devices* | | | | | | |
| Automatic switches | | | | | | |
| 572052 | Auto. switch 2 wire 400W 240V a.c. td 1s-16mn 3-1000 lux 2 module white   | EA | \$133.92 | \$13.39 | 10 | 100 |
| 574062 | Auto. switch 2 wire 400W 250V a.c. 2 module magnesium   | EA | \$153.98 | \$15.40 | - | 20 |
| 572053 | Auto. switch 3 wire 1000W 240V a.c. td 1s-16mn 3-1000 lux 2 module white  | EA | \$116.47 | \$11.65 | 10 | 100 |
| 574061 | Auto. switch 3 wire 400W 250V a.c. 2 module magnesium  | EA | \$133.92 | \$13.39 | - | 20 |
| 572051 | No touch switch 1000W 100/240V a.c. 2 module white  | EA | \$190.66 | \$19.07 | 10 | 100 |
| 572223 | Overdoor lighting unit with white diffuser 2 module white  | EA | \$64.34 | \$6.43 | 10 | 100 |
| Skirting lights | | | | | | |
| 572221 | Skirting light 0.2/1W 230V a.c. 2 module white | EA | \$64.89 | \$6.49 | - | 20 |
| 574082 | Skirting light 0.2/1W 230V a.c. 2 module magnesium | EA | \$74.66 | \$7.47 | - | 20 |
| 572226 | Skirting light with IR sensor & alarm 1W 100-230V a.c. 2 module white | EA | \$127.18 | \$12.72 | - | 20 |
| 572726 | Skirting light with IR sensor & alarm 1W 100-230V a.c. 2 module magnesium | EA | \$146.25 | \$14.62 | - | 20 |
| Time-delay switch | | | | | | |
| 572055 | Time-delay 2 wire 1000W 240V a.c. 2 module white | EA | \$181.52 | \$18.15 | 10 | 100 |

*Arteor electronic devices are to be used with Como CMAR2SF installation grids and CM910PLWE coverplates (P. 218).



New product



Energy Saving products



More info available.
See technical pages



Coming soon



Product to be discontinued

Como for aged care buildings

Mechanisms and coverplates



078524



572222



CM910PLWE



CM920PLWE



CM920V1PLWE



CM920V2PLWE

| Cat.Nos | Electronic devices* | UoM | Trade price \$ | GST \$ | Box qty | Carton qty |
|----------------|---|-----|----------------|---------|---------|------------|
| | Illuminated signs | | | | | |
| 078521 | LED sign blue 1W 240V a.c. accepts custom labels 2 module white frame | EA | \$61.28 | \$6.13 | 10 | 100 |
| 078524 | LED sign red or green 1W 240V a.c. accepts custom labels 2 module white frame | EA | \$61.28 | \$6.13 | 10 | 100 |
| 572452 | Illuminated light 1W 230V a.c. supplied with 4 coloured labels 1 module white | EA | \$22.81 | \$2.28 | 10 | 100 |
| 572453 | Overdoor lighting unit with red diffuser 2 module white | EA | \$64.34 | \$6.43 | 10 | 100 |
| | Lighting unit | | | | | |
| 572222 | Miniature safety lighting unit illuminates upon power failure 2 module white | EA | \$195.37 | \$19.54 | 10 | 100 |
| | Emergency stop button | | | | | |
| 572363 | Mushroom emergency push-button NO+NC 10A 240V a.c. 2 module yellow/red | EA | \$33.89 | \$3.39 | 10 | 100 |
| | Buzzers | | | | | |
| 572204 | Buzzer 230V a.c. 1 module white | EA | \$42.92 | \$4.29 | 10 | 100 |
| 572207 | Buzzer 230V a.c. 2 module white | EA | \$110.06 | \$11.01 | 10 | 100 |
| | Coverplates | | | | | |
| | Horizontal | | | | | |
| CM910PLWE | Coverplate horizontal 1 gang or for electronic mechs. 2 modules white | EA | \$4.23 | \$0.42 | 10 | 120 |
| CM920PLWE | Coverplate horizontal 2 gang white | EA | \$4.23 | \$0.42 | 10 | 120 |
| CMAR3MPLWE | Coverplate horizontal for electronic mechs. 3 modules white | EA | \$4.23 | \$0.42 | 10 | 120 |
| CM920PLBLANKWE | Coverplate horizontal blank white | EA | \$9.39 | \$0.94 | 10 | 120 |
| | Vertical | | | | | |
| CM920V1PLWE | Coverplate vertical 2 gang white | EA | \$4.23 | \$0.42 | 10 | 120 |
| CM920V2PLWE | Coverplate vertical 2 gang or switch and dimmer/fan controller white | EA | \$4.23 | \$0.42 | 10 | 120 |
| CM940PLWE | Coverplate vertical 4 gang white | EA | \$7.72 | \$0.77 | 10 | 120 |

*Arteor electronic devices are to be used with Como CMAR2SF installation grids and CM910PLWE coverplates (P. 218).



New product



Energy Saving products

More info available.
See technical pages

Coming soon



Product to be discontinued

Whilst most items are stock lines some products are made to order. UoM = Unit Of Measure.
Prices are effective 1 June 2017 and are subject to change without notice. Trade prices exclude GST.

Como for aged care buildings

Installation accessories



CMAR2MSF



CM435/2



CM940WALLBOX



712



CM910SHROUD



143/2

| Cat.Nos | | UoM | Trade price \$ | GST \$ | Box qty | Carton qty |
|---------------------------------|---|-----|----------------|--------|---------|------------|
| Support frames | | | | | | |
| CM910SF | Support frame 1 gang white | EA | \$7.06 | \$0.71 | 10 | 120 |
| CM920SF | Support frame 2 gang white | EA | \$7.06 | \$0.71 | 10 | 120 |
| CM940SF | Support frame 4 gang white | EA | \$12.12 | \$1.21 | 10 | 120 |
| CMAR2MSF* | Support frame for electronic mechs. 2 modules white | EA | \$2.02 | \$0.20 | 10 | 120 |
| CMAR3MSF* | Support frame for electronic mechs. 3 modules white | EA | \$2.02 | \$0.20 | 10 | 120 |
| Wall boxes | | | | | | |
| 435 | Wall box 99x57x48mm metal black | EA | \$41.06 | \$4.11 | - | 60 |
| CM435/2 | Fire box to suit Como 4 gang metal | EA | \$44.88 | \$4.49 | 4 | 48 |
| CM940WALLBOX | Wall box for Como 4 gang plastic | EA | \$5.46 | \$0.55 | 4 | 48 |
| 429R | Wall box with sliding nuts, retent. clips & cover 97x60x45mm black | EA | \$14.57 | \$1.46 | 10 | 140 |
| Render mounting brackets | | | | | | |
| 954 | Render bracket for standard grids 84mm m. centres metal | EA | \$5.23 | \$0.52 | 12 | 144 |
| CM940RENDERBR | Render bracket for Como 4 gang metal | EA | \$5.28 | \$0.53 | 12 | 144 |
| Mounting clips | | | | | | |
| 712 | Mounting clips 10mm plasterboard for 84mm m. centres 50x76mm max cutout | EA | \$1.84 | \$0.18 | 50 | 600 |
| CM940CCLIP | Mounting clips for Como 4 gang metal | EA | \$5.22 | \$0.52 | 8 | 96 |
| Protective shroud | | | | | | |
| CM910SHROUD | Shroud for support frame CM910SF white | EA | \$3.13 | \$0.31 | 16 | 192 |
| CM920SHROUD | Shroud for support frame CM920SF white | EA | \$6.25 | \$0.62 | 8 | 96 |
| CM940SHROUD | Shroud for support frame CM940SF white | EA | \$8.35 | \$0.84 | 4 | 48 |
| Stud brackets | | | | | | |
| 143 | Mounting bracket standard size metal | EA | \$2.23 | \$0.22 | 20 | 200 |
| 143/2 | Mounting bracket horizontal stud mount with nails metal | EA | \$2.38 | \$0.24 | 20 | 120 |
| 143/2V | Mounting bracket vertical stud mount with nails metal | EA | \$2.38 | \$0.24 | 20 | 120 |
| CM940STUDBR | Bracket stud mount for 4 gang Como metal | EA | \$5.28 | \$0.53 | 4 | 48 |

*CMAR2MSF/3MSF allows the installation of Arteor electronic devices (p.216 to 217), use specific Como coverplates (CM910PLWE and/or CMAR3MPLWE) on page 217.



New product



Energy Saving products



More info available.
See technical pages



Coming soon



Product to be discontinued

Standard

Switches



770/1WE



1A770WE



65WE



600WE



770REL8



TD170/1WE

| Cat.Nos | Vertical switches | UoM | Trade price \$ | GST \$ | Box qty | Carton qty |
|--|---|-----|----------------|---------|---------|------------|
| Rocker switches - Single Pole Double Throw (SPDT) | | | | | | |
| 770/1WE | Switch 1 gang 10A 240V a.c. white | EA | \$14.34 | \$1.43 | 10 | 200 |
| 770/2WE | Switch 2 gang 10A 240V a.c. white | EA | \$23.15 | \$2.32 | 10 | 200 |
| 770/3WE | Switch 3 gang 10A 240V a.c. white | EA | \$38.08 | \$3.81 | 10 | 200 |
| 770/4WE | Switch 4 gang 10A 240V a.c. white | EA | \$55.40 | \$5.54 | 10 | 200 |
| Heavy duty rocker switches | | | | | | |
| F1036/3WE | Isolator switch 1 gang 36A 240V a.c. white | EA | \$49.98 | \$5.00 | 10 | 200 |
| F1036PWE | Isolator switch 1 gang double-pole 36A 240V a.c. white | EA | \$95.45 | \$9.54 | 10 | 200 |
| Deep plates switches | | | | | | |
| 1A770WE | Switch 1 gang 10A 240V a.c. deep plate white | EA | \$23.18 | \$2.32 | 10 | - |
| 1A770PWE | Switch 1 gang double-pole 10A 240V a.c. deep plate white | EA | \$39.21 | \$3.92 | 10 | - |
| 2/770WE | Switch 2 gang 10A 240V a.c. deep plate white | EA | \$42.79 | \$4.28 | 5 | - |
| 2/770PWE | Switch 2 gang double-pole 10A 240V a.c. deep plate white | EA | \$73.53 | \$7.35 | 5 | - |
| 2/770PBE | Switch 2 gang double-pole 10A 240V a.c. deep plate beige | EA | \$73.53 | \$7.35 | 5 | - |
| Older style round switches | | | | | | |
| 65WE | Switch 1 gang 2 way 10A 240V a.c. old style round surface mount white | EA | \$33.58 | \$3.36 | 10 | - |
| Cord-pull ceiling switches | | | | | | |
| 600WE | Ceiling switch cord-pull 1 gang 10A 240V a.c. rectangle white | EA | \$54.62 | \$5.46 | 10 | 160 |
| 600NWE | Ceiling switch cord-pull 1 gang 10A 240V a.c. rectangle white with LED | EA | \$114.33 | \$11.43 | 10 | 160 |
| 601WE | Ceiling switch cord-pull 1 gang 10A 240V a.c. round white | EA | \$43.31 | \$4.33 | 10 | 160 |
| 600XWE | Ceiling switch cord-pull 1 gang 15A 240V a.c. rectangle white | EA | \$57.26 | \$5.73 | 10 | 160 |
| 601XWE | Ceiling switch cord-pull 1 gang 15A 240V a.c. round white | EA | \$55.67 | \$5.57 | 10 | 160 |
| Relay switches | | | | | | |
| 770REL1 | Booster relay switch 1 gang 4800W 240V a.c. with 2 neons "Boost" & "Tap OK" white | EA | \$227.68 | \$22.77 | 3 | 108 |
| 770REL8 | Relay switch pack 1 gang 2400W 240V a.c. NO contacts white | EA | \$78.69 | \$7.87 | 3 | - |
| Time-delay switches | | | | | | |
| TD170/1WE | Time-delay switch 1 gang 1/3/10mn 2 wire 2.5A 240V a.c. white | EA | \$99.84 | \$9.98 | 3 | - |
| TX770/1RCWE | Time-delay switch push start / restart 1 gang 1s-239hr 3 wire 10A 240V a.c. white | EA | \$157.70 | \$15.77 | 3 | - |
| TX770/2RCWE | Time-delay switch push start / stop 1 gang 1s-239hr 3 wire 10A 240V a.c. white | EA | \$157.70 | \$15.77 | 3 | - |
| TF770/1RCWE | Fan time-delay 1 gang 3/10/20mn 2 wire 10A 240V a.c. white | EA | \$111.42 | \$11.14 | 3 | - |



New product



Energy Saving products

More info available.
See technical pages

Coming soon



Product to be discontinued

Whilst most items are stock lines some products are made to order. UoM = Unit Of Measure.
Prices are effective 1 June 2017 and are subject to change without notice. Trade prices exclude GST.

Standard

Switches



250LWE



300FWE



475/2



A770/1WE

| Cat.Nos | Vertical dimmers and Fan controllers | | UoM | Trade price \$ | GST \$ | Box qty | Carton qty |
|----------------------------|--|--|-----|----------------|---------|---------|------------|
| Rotary dimmers | | | | | | | |
| 250LWE | Rotary dimmer leading edge 2 wire 250VA 240V a.c. white | | EA | \$53.47 | \$5.35 | 3 | 108 |
| 400LWE | Rotary dimmer leading edge 2 wire 400VA 240V a.c. white | | EA | \$76.99 | \$7.70 | 3 | 108 |
| 700LWE | Rotary dimmer leading edge 2 wire 700VA 240V a.c. white | | EA | \$134.86 | \$13.49 | 3 | 108 |
| 1000LWE | Rotary dimmer leading edge 2 wire 1000VA 240V a.c. white | | EA | \$217.05 | \$21.70 | 3 | 108 |
| 250TWE | Rotary dimmer trailing edge 2 wire 250VA 240V a.c. white | | EA | \$56.25 | \$5.62 | 3 | 108 |
| 400TWE | Rotary dimmer trailing edge 2 wire 400VA 240V a.c. white | | EA | \$90.63 | \$9.06 | 3 | 108 |
| 700TWE | Rotary dimmer trailing edge 2 wire 700VA 240V a.c. white | | EA | \$133.80 | \$13.38 | 3 | 108 |
| 1000TWE | Rotary dimmer trailing edge 2 wire 1000VA 240V a.c. white | | EA | \$203.58 | \$20.36 | 3 | 108 |
| 2000EWE | Rotary dimmer trailing edge 2 wire 2000VA 240V a.c. white | | EA | \$476.04 | \$47.60 | 3 | 108 |
| 2400EWE | Rotary dimmer trailing edge 2 wire 2400VA 240V a.c. white | | EA | \$526.73 | \$52.67 | 3 | 108 |
| Fan controllers | | | | | | | |
| 300FWE | Fan controller 300VA white | | EA | \$66.54 | \$6.65 | 3 | - |
| 650ETWE | Fan controller 3 speed 650VA auto OFF after 2hrs white | | EA | \$159.32 | \$15.93 | 3 | - |
| 650ET1WE | Fan controller 3 speed 650VA auto OFF after 2hrs & reduced max speed white | | EA | \$159.79 | \$15.98 | 3 | - |
| 475/2 | Fan controller 3 speed 100VA 1.5µF+2.5µF capacitors white | | EA | \$80.14 | \$8.01 | 3 | - |
| Architrave switches | | | | | | | |
| A770/1WE | Architrave switch 1 gang 2 way 10A 240V a.c. white | | EA | \$11.60 | \$1.16 | 10 | - |
| A770/2WE | Architrave switch 2 gang 2 way 10A 240V a.c. white | | EA | \$28.46 | \$2.85 | 10 | - |

Standard

Switches



770/1KLIOWE



770KT1



770T3

| Cat.Nos | Hospitality | UoM | Trade price \$ | GST \$ | Box qty | Carton qty |
|------------------------------------|---|-----|----------------|---------|---------|------------|
| Keylock switches - vertical | | | | | | |
| 770/1KLIOWE | Keylock switch 10A 240V a.c. removable ON/OFF position white | EA | \$121.45 | \$12.14 | 10 | - |
| 770/1KLIWE | Keylock switch 10A 240V a.c. removable ON position white | EA | \$123.18 | \$12.32 | 10 | - |
| 770/1KLOWE | Keylock switch 10A 240V a.c. removable OFF position white | EA | \$121.45 | \$12.14 | 10 | - |
| 770KLIOWECK | Keylock switch 10A 240V a.c. key removable ON/OFF common key white | EA | \$83.48 | \$8.35 | 10 | - |
| 700CCWE | Flexlock 240V a.c. white | EA | \$8.98 | \$0.90 | 10 | - |
| Keytag switches | | | | | | |
| 770KT1 | Keytag 2 x 20A switches & neon in base pocket 240V a.c. white | EA | \$206.11 | \$20.61 | 10 | - |
| 770KT2 | Keytag 10A ind. switch above 2 x 20A neon in base pocket 240V a.c. white | EA | \$216.08 | \$21.61 | 10 | - |
| 770KT3 | Keytag 10A ind. switch & neon above 2 x 20A neon in base pocket 240V a.c. white | EA | \$246.52 | \$24.65 | 10 | - |
| 770KT4 | Keytag 3 x 20A in base pocket 240V a.c. white | EA | \$206.11 | \$20.61 | 10 | - |
| 770KT5 | Keytag 10A ind. switch 3 x 20A & neon in base pocket 240V a.c. white | EA | \$216.08 | \$21.61 | 10 | - |
| 770KT8 | Keytag 10A indep. switch 2 x 20A & neon in top pocket 240V a.c. white | EA | \$216.08 | \$21.61 | 10 | - |
| 770KT13 | Keytag 3 x 20A switches & neon in base pocket 240V a.c. white | EA | \$238.29 | \$23.83 | 10 | - |
| 770KT14 | Keytag 4 x 20A in base pocket 240V a.c. white | EA | \$239.79 | \$23.98 | 10 | - |
| 770KT16 | Keytag 4 x 20A in top pocket 240V a.c. white | EA | \$239.79 | \$23.98 | 10 | - |
| 770T3 | Keytag with removable insert white | EA | \$13.78 | \$1.38 | 10 | - |



New product



Energy Saving products



More info available.
See technical pages



Coming soon



Product to be discontinued

Whilst most items are stock lines some products are made to order. UoM = Unit Of Measure.
Prices are effective 1 June 2017 and are subject to change without notice. Trade prices exclude GST.

Standard

Powerpoints



V787WE



787WE



787XWE



787/2XWE



1/788WE



790WE

| Cat.Nos | | UoM | Trade price \$ | GST \$ | Box qty | Carton qty |
|--|--|-----|----------------|---------|---------|------------|
| Vertical powerpoints | | | | | | |
| Single powerpoints | | | | | | |
| V787WE | Powerpoint 1 gang 10A 240V a.c. white | EA | \$32.31 | \$3.23 | 10 | 200 |
| Single powerpoints with shaver outlet | | | | | | |
| 798VWE | Powerpoint 1 gang 10A 240V a.c. with shaver outlet white | EA | \$288.19 | \$28.82 | - | - |
| Double powerpoints | | | | | | |
| V777WE | Powerpoint 2 gang 10A 240V a.c. white | EA | \$66.04 | \$6.60 | 10 | 120 |
| V777XWE | Powerpoint 2 gang 10A 240V a.c. with extra switch white | EA | \$79.48 | \$7.95 | 10 | 120 |
| V777SWE | Powerpoint 2 gang 10A 240V a.c. with safety shutters white | EA | \$85.26 | \$8.53 | 10 | 120 |
| V777LKWE | Powerpoint 2 gang 10A 240V a.c. with pre-wired link white | EA | \$59.96 | \$6.00 | 10 | 120 |
| V777/15WE | Powerpoint 2 gang 15A 240V a.c. white | EA | \$118.75 | \$11.88 | 10 | 120 |
| Horizontal powerpoints | | | | | | |
| Single powerpoints | | | | | | |
| 787WE | Powerpoint 1 gang 10A 240V a.c. white | EA | \$17.74 | \$1.77 | 10 | 200 |
| 787BL | Powerpoint 1 gang 10A 240V a.c. black | EA | \$17.74 | \$1.77 | 10 | 200 |
| 787XWE | Powerpoint 1 gang 10A 240V a.c. with extra switch white | EA | \$38.08 | \$3.81 | 10 | 200 |
| 787/2XWE | Powerpoint 1 gang 10A 240V a.c. with 2 extra switches white | EA | \$69.26 | \$6.93 | 10 | 200 |
| 787PWE | Powerpoint 1 gang double-pole 10A 240V a.c. white | EA | \$42.21 | \$4.22 | 10 | 200 |
| 1/788WE | Powerpoint 1 gang 10A 240V a.c. deep plate white | EA | \$37.56 | \$3.76 | 10 | 200 |
| 1/788BE | Powerpoint 1 gang 10A 240V a.c. deep plate beige | EA | \$46.08 | \$4.61 | 10 | 200 |
| 1/788PWE | Powerpoint 1 gang double-pole 10A 240V a.c. deep plate white | EA | \$46.08 | \$4.61 | 10 | 200 |
| 788PXWE | Powerpoint 1 gang double-pole 10A 240V a.c. with extra switch deep plate white | EA | \$71.80 | \$7.18 | 10 | 200 |
| 788XPWE | Powerpoint 1 gang 10A 240V a.c. with extra 2P switch deep plate white | EA | \$91.05 | \$9.10 | 10 | 200 |
| 787SWE | Powerpoint 1 gang 10A 240V a.c. with shutters white | EA | \$36.44 | \$3.64 | 10 | 200 |
| 787NSWE | Powerpoint 1 gang 10A 240V a.c. with safety shutters & neon white | EA | \$67.12 | \$6.71 | 10 | 200 |
| 790WE | Powerpoint 1 gang 10A 240V a.c. narrow plate white | EA | \$27.67 | \$2.77 | 10 | 200 |
| 790BL | Powerpoint 1 gang 10A 240V a.c. narrow plate black | EA | \$27.67 | \$2.77 | 10 | 200 |
| SQ787WE | Powerpoint 1 gang 10A 240V a.c. square plate white | EA | \$51.29 | \$5.13 | 10 | 200 |
| 787/15WE | Powerpoint 1 gang 15A 240V a.c. white | EA | \$41.44 | \$4.14 | 10 | 200 |
| 787/15BL | Powerpoint 1 gang 15A 240V a.c. black | EA | \$35.65 | \$3.56 | 10 | 200 |
| 787/15SWE | Powerpoint 1 gang 15A 240V a.c. with safety shutters white | EA | \$37.93 | \$3.79 | 10 | 200 |
| 787/15NSWE | Powerpoint 1 gang 15A 240V a.c. with safety shutters & neon white | EA | \$77.65 | \$7.76 | 10 | 200 |
| 787P/15WE | Powerpoint 1 gang double-pole 15A 240V a.c. white | EA | \$54.04 | \$5.40 | 10 | 200 |



New product



Energy Saving products



More info available. See technical pages



Coming soon



Product to be discontinued

Standard

Powerpoints



738KLWE



777WE



777XWE



792WE

| Cat.Nos | Horizontal powerpoints | UoM | Trade price \$ | GST \$ | Box qty | Carton qty |
|--|---|-----|----------------|---------|---------|------------|
| Single powerpoints | | | | | | |
| 1/788P15WE | Powerpoint 1 gang 15A 240V a.c. deep plate white | EA | \$53.87 | \$5.39 | 10 | 200 |
| 787/20WE | Powerpoint 1 gang 20A 240V a.c. white | EA | \$50.51 | \$5.05 | 10 | 200 |
| 787P20WE | Powerpoint 1 gang double pole 20A 240V a.c. white | EA | \$98.64 | \$9.86 | 10 | 200 |
| 787/25WE | Powerpoint 1 gang 25A 240V a.c. white | EA | \$83.57 | \$8.36 | 10 | 200 |
| 787/32WE | Powerpoint 1 gang 32A 240V a.c. white | EA | \$91.89 | \$9.19 | 10 | 200 |
| Keylock single powerpoints | | | | | | |
| 738KLWE | Keylock powerpoint 1 gang 10A 240V a.c. white | EA | \$146.30 | \$14.63 | 10 | 200 |
| 738KLNWE | Keylock powerpoint 1 gang 10A 240V a.c. with neon white | EA | \$182.92 | \$18.29 | 10 | 200 |
| 738KL15WE | Keylock powerpoint 1 gang 15A 240V a.c. white | EA | \$158.95 | \$15.90 | 10 | 200 |
| 738KLN15WE | Keylock powerpoint 1 gang 15A 240V a.c. with neon white | EA | \$192.78 | \$19.28 | 10 | 200 |
| 738KL20WE | Keylock powerpoint 1 gang 20A 240V a.c. white | EA | \$212.77 | \$21.28 | 10 | 200 |
| No-volt single powerpoints | | | | | | |
| 787XNV | No-volt powerpoint 1 gang 10A 240V a.c. white | EA | \$329.47 | \$32.95 | 10 | 200 |
| 787XNV15 | No-volt powerpoint 1 gang 15A 240V a.c. white | EA | \$413.95 | \$41.40 | 10 | 200 |
| Shaver outlet single powerpoint | | | | | | |
| 798HWE | Powerpoint 1 gang 10A 240V a.c. with shaver outlet white | EA | \$272.32 | \$27.23 | 10 | 200 |
| Double powerpoints | | | | | | |
| 777WE | Powerpoint 2 gang 10A 240V a.c. white | EA | \$27.62 | \$2.76 | 10 | 200 |
| 777BL | Powerpoint 2 gang 10A 240V a.c. black | EA | \$27.62 | \$2.76 | 10 | 200 |
| 777CR | Powerpoint 2 gang 10A 240V a.c. cream | EA | \$27.62 | \$2.76 | 10 | 200 |
| 777XWE | Powerpoint 2 gang 10A 240V a.c. with extra switch white | EA | \$58.75 | \$5.88 | 10 | 200 |
| 777XSWE | Powerpoint 2 gang 10A 240V a.c. with extra switch & safety shutters white | EA | \$96.02 | \$9.60 | 10 | 200 |
| 777SWE | Powerpoint 2 gang 10A 240V a.c. with safety shutters white | EA | \$61.11 | \$6.11 | 10 | 200 |
| 777NSWE | Powerpoint 2 gang 10A 240V a.c. with safety shutters & neon white | EA | \$98.13 | \$9.81 | 10 | 200 |
| 777NSRED | Powerpoint 2 gang 10A 240V a.c. with safety shutters & neon red | EA | \$104.28 | \$10.43 | 10 | 200 |
| 777CHWE | Powerpoint 2 gang 10A 240V a.c. chemical resistant white | EA | \$40.52 | \$4.05 | 10 | 200 |
| 777PWE | Powerpoint 2 gang double-pole 10A 240V a.c. white | EA | \$66.95 | \$6.70 | 10 | 200 |
| 777PLKWE | Powerpoint 2 gang double-pole 10A 240V a.c. with pre-wired link white | EA | \$65.02 | \$6.50 | 10 | 200 |
| 2/788PWE | Powerpoint 2 gang double-pole 10A 240V a.c. deep plate white | EA | \$90.17 | \$9.02 | 10 | 200 |
| 2/788PBE | Powerpoint 2 gang double-pole 10A 240V a.c. deep plate beige | EA | \$82.58 | \$8.26 | 10 | 200 |
| 792WE | Powerpoint 2 gang 10A 240V a.c. narrow plate white | EA | \$48.57 | \$4.86 | 10 | 200 |
| 792BL | Powerpoint 2 gang 10A 240V a.c. narrow plate black | EA | \$48.56 | \$4.86 | 10 | 200 |



New product



Energy Saving products



More info available.
See technical pages



Coming soon



Product to be discontinued

Whilst most items are stock lines some products are made to order. UoM = Unit Of Measure.
Prices are effective 1 June 2017 and are subject to change without notice. Trade prices exclude GST.

Standard

Powerpoints



SQ777WE



777EL30



792BWE



3G788WE

| Cat.Nos | | UoM | Trade price \$ | GST \$ | Box qty | Carton qty |
|--|---|-----|----------------|---------|---------|------------|
| Horizontal powerpoints | | | | | | |
| Double powerpoints | | | | | | |
| 777IDCL | Powerpoint 2 gang 10A 240V a.c. with 800/2CL blanking insert clear | EA | \$38.29 | \$3.83 | 10 | 100 |
| SQ777WE | Powerpoint 2 gang 10A 240V a.c. square plate white | EA | \$89.05 | \$8.90 | 5 | 100 |
| SQ777XWE | Powerpoint 2 gang 10A 240V a.c. with extra switch square plate white | EA | \$101.31 | \$10.13 | 5 | 100 |
| SQ777SWE | Powerpoint 2 gang 10A 240V a.c. with safety shutters square plate white | EA | \$87.59 | \$8.76 | 5 | 100 |
| 777/1015WE | Powerpoint 2 gang 10 & 15A 240V a.c. white | EA | \$80.07 | \$8.01 | 10 | 200 |
| 792/1015WE | Powerpoint 2 gang 10 & 15A 240V a.c. narrow plate white | EA | \$103.66 | \$10.37 | 5 | - |
| 777/15WE | Powerpoint 2 gang 15A 240V a.c. white | EA | \$110.78 | \$11.08 | 10 | 200 |
| 777/15SWE | Powerpoint 2 gang 15A 240V a.c. with safety shutters white | EA | \$141.21 | \$14.12 | 10 | 200 |
| 777P15WE | Powerpoint 2 gang double-pole 15A 240V a.c. white | EA | \$124.17 | \$12.42 | 10 | 200 |
| 792/15WE | Powerpoint 2 gang 15A 240V a.c. narrow plate white | EA | \$117.36 | \$11.74 | 5 | - |
| RCD protected double powerpoints | | | | | | |
| 777EL30 | Powerpoint 2 gang 10A 240V a.c. with RCD 30mA white | EA | \$254.91 | \$25.49 | 2 | 100 |
| 777EL30ES | Powerpoint 2 gang 10A 240V a.c. with RCD 30mA & mounting bracket white | EA | \$333.10 | \$33.31 | 2 | 100 |
| 777EL30G | Powerpoint 2 gang 10A 240V a.c. with RCD 30mA for generators white | EA | \$460.88 | \$46.09 | 2 | 100 |
| 777EL30/1015 | Powerpoint 2 gang 10 & 15A 240V a.c. with RCD 30mA white | EA | \$409.67 | \$40.97 | 2 | 100 |
| 777EL10 | Powerpoint 2 gang 10A 240V a.c. with RCD 10mA white | EA | \$319.70 | \$31.97 | 2 | 100 |
| 777EL10N | Powerpoint 2 gang 10A 240V a.c. with RCD 10mA & neon white | EA | \$455.89 | \$45.59 | 2 | 100 |
| 777EL10N3 | Powerpoint 2 gang 10A 240V a.c. with RCD 10mA & 3 neons white | EA | \$439.28 | \$43.93 | 2 | 100 |
| 777EL10ES | Powerpoint 2 gang 10A 240V a.c. with RCD 10mA & mounting bracket white | EA | \$410.58 | \$41.06 | 2 | 100 |
| 777EL10/1015 | Powerpoint 2 gang 10 & 15A 240V a.c. with RCD 10mA white | EA | \$509.04 | \$50.90 | 2 | 100 |
| 777EL30G1015 | Powerpoint 2 gang 10 & 15A 240V a.c. with RCD 30mA for generators white | EA | \$270.54 | \$27.05 | 2 | 100 |
| 777EL30M | Electrasafe module 2 gang 10A 240V a.c. with RCD 30mA white | EA | \$255.71 | \$25.57 | 2 | 100 |
| Narrow busbarred double powerpoints | | | | | | |
| 792BWE | Powerpoint 2 gang 10A 240V a.c. with narrow busbar white | EA | \$48.56 | \$4.86 | 5 | - |
| 792BBL | Powerpoint 2 gang 10A 240V a.c. with narrow busbar black | EA | \$48.56 | \$4.86 | 5 | - |
| 792B1015WE | Powerpoint 2 gang 10&15A 240V a.c. with narrow busbar white | EA | \$88.87 | \$8.89 | 5 | - |
| Triple powerpoints | | | | | | |
| 3G788WE | Powerpoint 3 gang 10A 240V a.c. large plate white | EA | \$158.97 | \$15.90 | 5 | - |

Standard

Phone, TV, data and AV sockets



770/1CXWE



1A770CXWE



770/1RJ2WE

| Cat.Nos | | UoM | Trade price \$ | GST \$ | Box qty | Carton qty |
|---------------------|---|-----|----------------|--------|---------|------------|
| TV outlets | | | | | | |
| 770/1CXWE | TV outlet coaxial 1 gang 75 Ohm white | EA | \$11.50 | \$1.15 | 10 | 200 |
| 770/1FCXWE | TV outlet coaxial to F type 1 gang 75 Ohm white | EA | \$10.92 | \$1.09 | 10 | 200 |
| 1A770CXWE | TV outlet coaxial 1 gang deep plate white | EA | \$12.86 | \$1.29 | 10 | 200 |
| RJ45 outlets | | | | | | |
| 770/1RJ2WE | Data outlet RJ45 1 gang Cat5e white | EA | \$22.23 | \$2.22 | 10 | 200 |
| 770/2RJ2WE | Data outlet RJ45 2 gang Cat5e white | EA | \$38.54 | \$3.85 | 10 | 200 |



New product



Energy Saving products



More info available.
See technical pages



Coming soon



Product to be discontinued

Whilst most items are stock lines some products are made to order. UoM = Unit Of Measure.
Prices are effective 1 June 2017 and are subject to change without notice. Trade prices exclude GST.

Standard

Plates



770/1PLWE



770/2PLBL



770/4PLCR



770/6PLWE



SQ770/1PLWE

| Cat.Nos | | UoM | Trade price \$ | GST \$ | Box qty | Carton qty |
|-------------------------|--------------------------------------|-----|----------------|--------|---------|------------|
| Switch plates | | | | | | |
| Rectangle plates | | | | | | |
| 770/1PLWE | Plate 1 gang white | EA | \$8.16 | \$0.82 | 20 | 400 |
| 770/1PLBL | Plate 1 gang black | EA | \$8.16 | \$0.82 | 20 | 400 |
| 770/1PLCR | Plate 1 gang cream | EA | \$8.16 | \$0.82 | 20 | 400 |
| 770/2PLWE | Plate 2 gang white | EA | \$7.13 | \$0.71 | 20 | 400 |
| 770/2PLBL | Plate 2 gang black | EA | \$7.13 | \$0.71 | 20 | 400 |
| 770/2PLCR | Plate 2 gang cream | EA | \$7.13 | \$0.71 | 20 | 400 |
| 770/3PLWE | Plate 3 gang white | EA | \$8.78 | \$0.88 | 20 | 400 |
| 770/3PLBL | Plate 3 gang black | EA | \$8.78 | \$0.88 | 20 | 400 |
| 770/4PLWE | Plate 4 gang white | EA | \$14.53 | \$1.45 | 20 | 400 |
| 770/4PLBL | Plate 4 gang black | EA | \$14.08 | \$1.41 | 20 | 400 |
| 770/4PLCR | Plate 4 gang cream | EA | \$14.08 | \$1.41 | 20 | 400 |
| 770/5PLWE | Plate 5 gang white | EA | \$15.38 | \$1.54 | 20 | 400 |
| 770/5PLCR | Plate 5 gang cream | EA | \$15.38 | \$1.54 | 20 | 400 |
| 770/6PLWE | Plate 6 gang white | EA | \$16.86 | \$1.69 | 20 | 400 |
| 770/6PLBL | Plate 6 gang black | EA | \$16.86 | \$1.69 | 20 | 400 |
| 770/6PLCR | Plate 6 gang cream | EA | \$16.86 | \$1.69 | 20 | 400 |
| Square plates | | | | | | |
| SQ770/1PLWE | Plate 1 gang square white | EA | \$17.14 | \$1.71 | 20 | - |
| SQ770/2PLWE | Plate 2 gang square white | EA | \$17.14 | \$1.71 | 20 | - |
| SQ770/3PLWE | Plate 3 gang square white | EA | \$17.14 | \$1.71 | 20 | - |
| SQ770/4PLWE | Plate 4 gang square white | EA | \$17.14 | \$1.71 | 20 | - |
| SQ770/5PLWE | Plate 5 gang square white | EA | \$14.34 | \$1.43 | 20 | - |
| SQ770/6PLWE | Plate 6 gang square white | EA | \$17.14 | \$1.71 | 20 | - |
| SQ770/7PLWE | Plate 7 gang square white | EA | \$20.63 | \$2.06 | 20 | - |
| SQ770/9PLWE | Plate 9 gang square white | EA | \$19.61 | \$1.96 | 20 | - |
| Deep plates | | | | | | |
| 2/770PLWE | Plate 2 gang deep plate white | EA | \$7.59 | \$0.76 | 10 | - |
| Flush caps | | | | | | |
| FLUSHCAPS | Flush caps plastic white pack of 100 | PAK | \$1.95 | \$0.20 | - | - |



New product



Energy Saving products



More info available.
See technical pages



Coming soon



Product to be discontinued

Standard

Plates



A770/1PLWE



AL770/11PLWE



770/0WE



770/1D1PLWE

| Cat.Nos | | UoM | Trade price \$ | GST \$ | Box qty | Carton qty |
|---------------------------------|--|-----|----------------|--------|---------|------------|
| Architrave plates | | | | | | |
| A770/1PLWE | Architrave plate 1 gang white | EA | \$5.16 | \$0.52 | 10 | - |
| A770/2PLWE | Architrave plate 2 gang white | EA | \$9.45 | \$0.94 | 10 | - |
| A770/3PLWE | Architrave plate 3 gang white | EA | \$12.47 | \$1.25 | 10 | - |
| A770/4PLWE | Architrave plate 4 gang white | EA | \$18.57 | \$1.86 | 10 | - |
| AS770/1PLWE | Architrave plate 1 gang small white | EA | \$5.26 | \$0.53 | 10 | - |
| AS770/2PLWE | Architrave plate 2 gang small white | EA | \$9.93 | \$0.99 | 10 | - |
| Intermediate size plates | | | | | | |
| AL770/11PLWE | Plate 1 gang intermediate size 55mm m. centres white | EA | \$8.57 | \$0.86 | 20 | - |
| AL770/12PLWE | Plate 1 gang intermediate size 79mm m. centres white | EA | \$8.04 | \$0.80 | 20 | - |
| AL770/21PLWE | Plate 2 gang intermediate size 55mm m. centres white | EA | \$11.30 | \$1.13 | 10 | - |
| AL770/22PLWE | Plate 2 gang intermediate size 79mm m. centres white | EA | \$15.05 | \$1.50 | 20 | - |
| Deep switch plates | | | | | | |
| 1A770PLWE | Switch plate 1 gang deep plate white | EA | \$8.15 | \$0.82 | 20 | 400 |
| Blank plates | | | | | | |
| 770/0WE | Blank plate white | EA | \$8.33 | \$0.83 | 20 | 200 |
| 770/0BL | Blank plate black | EA | \$8.33 | \$0.83 | 20 | 200 |
| SQ770/0WE | Blank plate square white | EA | \$16.67 | \$1.67 | 20 | - |
| Computer plates | | | | | | |
| 770/1D1PLWE | Plate 1 gang computer & data white | EA | \$14.89 | \$1.49 | 20 | - |
| 770/1D3PLWE | Plate 1 gang computer outlet 1x25 pin white | EA | \$13.64 | \$1.36 | 20 | - |
| 770/2D3PLWE | Plate 1 gang computer outlet 2x25 pin white | EA | \$13.10 | \$1.31 | 20 | - |



New product



Energy Saving products



More info available.
See technical pages



Coming soon



Product to be discontinued

Whilst most items are stock lines some products are made to order. UoM = Unit Of Measure.
Prices are effective 1 June 2017 and are subject to change without notice. Trade prices exclude GST.

Aqua

Weatherproof switches



WS171/1



WS171/4



WS170



2WS170/15



WS170/15

| Cat.Nos | Switches | UoM | Trade price \$ | GST \$ | Box qty | Carton qty |
|--|--|-----|----------------|---------|---------|------------|
| Rocker switches IP56 | | | | | | |
| WS171/1 | Switch 1 gang IP56 10A 240V a.c. mist grey | EA | \$38.94 | \$3.89 | 3 | 60 |
| WS171/1/15 | Switch 1 gang IP56 15A 240V a.c. mist grey | EA | \$41.73 | \$4.17 | 3 | 60 |
| WS171/1/20 | Switch 1 gang IP56 20A 240V a.c. mist grey | EA | \$63.57 | \$6.36 | 3 | 60 |
| WS171/2 | Switch 2 gang IP56 10A 240V a.c. mist grey | EA | \$51.67 | \$5.17 | 3 | 60 |
| WS171/4 | Switch 4 gang IP56 10A 240V a.c. mist grey | EA | \$77.91 | \$7.79 | 3 | 60 |
| Rotary switches IP56 | | | | | | |
| WS170 | Rotary switch 1 gang IP56 10A 240V a.c. mist grey | EA | \$39.02 | \$3.90 | 5 | 60 |
| WS170N | Rotary switch 1 gang IP56 10A 240V a.c. with neon mist grey | EA | \$75.61 | \$7.56 | 5 | 60 |
| WS170P | Rotary switch 1 gang double-pole IP56 10A 240V a.c. mist grey | EA | \$65.08 | \$6.51 | 5 | 60 |
| WS170/15 | Rotary switch 1 gang IP56 15A 240V a.c. mist grey | EA | \$41.08 | \$4.11 | 5 | 60 |
| WS170/20 | Rotary switch 1 gang IP56 20A 240V a.c. mist grey | EA | \$55.10 | \$5.51 | 5 | 60 |
| WS170/202 | Rotary switch 1 gang 1-2 way & loop IP56 20A 240V a.c. mist grey | EA | \$56.48 | \$5.65 | 5 | 60 |
| WS170/20P | Rotary switch 1 gang double-pole IP56 20A 240V a.c. mist grey | EA | \$92.85 | \$9.28 | 5 | 60 |
| WS170/35 | Rotary switch 1 gang IP56 35A 240V a.c. mist grey | EA | \$61.99 | \$6.20 | 5 | 60 |
| 2WS170 | Rotary switch 2 gang IP56 10A 240V a.c. mist grey | EA | \$56.79 | \$5.68 | 5 | 60 |
| 2WS170PP | Rotary switch 2 gang double-pole IP56 10A 240V a.c. mist grey | EA | \$83.41 | \$8.34 | 5 | 60 |
| 2WS170/15 | Rotary switch 2 gang IP56 15A 240V a.c. mist grey | EA | \$64.43 | \$6.44 | 5 | 60 |
| Push button switches IP56 | | | | | | |
| WS170X | Push button 1 gang IP56 15A 240V a.c. mist grey | EA | \$58.76 | \$5.88 | 5 | 60 |
| Isolating switches IP56 - 1, 2 and 3 - pole | | | | | | |
| 42/120 | Isolator switch 1 gang IP56 20A 240V a.c. plain entries mist grey | EA | \$72.67 | \$7.27 | - | 24 |
| 42/120MT | Isolator switch 1 gang IP56 20A 240V a.c. thread entries mist grey | EA | \$72.67 | \$7.27 | - | 24 |
| 42/220 | Isolator switch 1 gang double-pole IP56 20A 240V a.c. plain entries mist grey | EA | \$83.30 | \$8.33 | - | 24 |
| 42/220MT | Isolator switch 1 gang double-pole IP56 20A 240V a.c. thread entries mist grey | EA | \$83.30 | \$8.33 | - | 24 |
| 42/320 | Isolator switch 1 gang three-pole IP56 20A 240V a.c. plain entries mist grey | EA | \$76.91 | \$7.69 | - | 24 |
| 42/320MT | Isolator switch 1 gang three-pole IP56 20A 240V a.c. thread entries mist grey | EA | \$76.91 | \$7.69 | - | 24 |
| 42/235 | Isolator switch 1 gang double-pole IP56 35A 240V a.c. plain entries mist grey | EA | \$103.78 | \$10.38 | - | 24 |
| 42/235MT | Isolator switch 1 gang double-pole IP56 35A 240V a.c. thread entries mist grey | EA | \$103.78 | \$10.38 | - | 24 |
| 42/335 | Isolator switch 1 gang three-pole IP56 35A 240V a.c. plain entries mist grey | EA | \$116.47 | \$11.65 | - | 24 |
| 42/355 | Isolator switch 1 gang three-pole IP56 55A 240V a.c. plain entries mist grey | EA | \$128.55 | \$12.86 | - | 24 |
| 42/355MT | Isolator switch 1 gang three-pole IP56 55A 240V a.c. thread entries mist grey | EA | \$128.55 | \$12.86 | - | 24 |

Aqua

Weatherproof switches, light sensitive switches



WS170/20KLI



PE170/10



PE170R2

| Cat.Nos | Switches | UoM | Trade price \$ | GST \$ | Box qty | Carton qty |
|--------------------------------------|---|-----|----------------|---------|---------|------------|
| Keylock switches IP53 | | | | | | |
| WS170KLI | Keylock switch 1 gang IP53 10A 240V a.c. removable ON pos. mist grey | EA | \$106.74 | \$10.67 | 5 | - |
| WS170KLIO | Keylock switch 1 gang IP53 10A 240V a.c. removable ON/OFF pos. mist grey | EA | \$106.74 | \$10.67 | 5 | - |
| WS170/20KLI | Keylock switch 1 gang IP53 20A 240V a.c. removable ON pos. mist grey | EA | \$125.47 | \$12.55 | 5 | - |
| WS170/20KLIO | Keylock switch 1 gang IP53 20A 240V a.c. removable ON/OFF pos. mist grey | EA | \$125.47 | \$12.55 | 5 | - |
| Light sensitive switches IP56 | | | | | | |
| PE170/10 | Light sensitive switch 2400W 3 wire IP56 10A 240V a.c. grey | EA | \$123.23 | \$12.32 | - | 60 |
| PE170R2 | Light sensitive switch 5-2000Lux 2400W 3 wire IP56 10A 240V a.c. program off at 30mn steps grey | EA | \$132.54 | \$13.25 | - | 60 |



New product



Energy Saving products



More info available.
See technical pages



Coming soon



Product to be discontinued

Whilst most items are stock lines some products are made to order. UoM = Unit Of Measure.
Prices are effective 1 June 2017 and are subject to change without notice. Trade prices exclude GST.

Aqua

Powerpoints



WS53/1MG



WS53/2MG



2WS38



WS53F/2MG



WS40



WS54/1MG

| Cat.Nos | Powerpoints | UoM | Trade price \$ | GST \$ | Box qty | Carton qty |
|--|--|-----|----------------|---------|---------|------------|
| Single powerpoints IP33 - surface mount | | | | | | |
| WS38 | Powerpoint 1 gang IP33 10A 240V a.c. mist grey | EA | \$57.11 | \$5.71 | 2 | 72 |
| WS38P | Powerpoint 1 gang double-pole IP33 10A 240V a.c. mist grey | EA | \$77.47 | \$7.75 | 2 | 72 |
| WS38R | Powerpoint 1 gang IP33 10A 240V a.c. with round earth mist grey | EA | \$81.63 | \$8.16 | 2 | 72 |
| WS38/15 | Powerpoint 1 gang IP33 15A 240V a.c. mist grey | EA | \$73.35 | \$7.34 | 2 | 72 |
| Single powerpoints IP53 - surface mount | | | | | | |
| WS53/1MG | Powerpoint 1 gang IP53 10A 240V a.c. mist grey | EA | \$43.81 | \$4.38 | - | 40 |
| WS53/1WE | Powerpoint 1 gang IP53 10A 240V a.c. white | EA | \$43.92 | \$4.39 | - | 40 |
| WS53/1/XMG | Powerpoint 1 gang IP53 10A 240V a.c. with extra switch mist grey | EA | \$91.20 | \$9.12 | - | 40 |
| WS53/1/15MG | Powerpoint 1 gang IP53 15A 240V a.c. mist grey | EA | \$70.52 | \$7.05 | - | 40 |
| WS53/1/15WE | Powerpoint 1 gang IP53 15A 240V a.c. white | EA | \$70.52 | \$7.05 | - | 40 |
| WS40 | Powerpoint 1 gang IP53 10A 240V a.c. with side operating lever mist grey | EA | \$51.45 | \$5.14 | 5 | 60 |
| WS40/15 | Powerpoint 1 gang IP53 15A 240V a.c. with side operating lever mist grey | EA | \$70.48 | \$7.05 | 5 | 60 |
| Single powerpoints IP54 - surface mount | | | | | | |
| WS54/1MG | Powerpoint 1 gang IP54 10A 240V a.c. mist grey | EA | \$43.58 | \$4.36 | 5 | 60 |
| Single powerpoints IP53 - flush mount | | | | | | |
| WS53F/1MG | Powerpoint 1 gang flush mount IP53 10A 240V a.c. mist grey | EA | \$48.60 | \$4.86 | - | 40 |
| WS53F/1WE | Powerpoint 1 gang flush mount IP53 10A 240V a.c. white | EA | \$48.60 | \$4.86 | - | 40 |
| WS53F/1/15MG | Powerpoint 1 gang flush mount IP53 15A 240V a.c. mist grey | EA | \$70.52 | \$7.05 | - | 40 |
| Double powerpoints IP33 - surface mount - padlockable | | | | | | |
| 2WS38 | Powerpoint 2 gang IP33 10A 240V a.c. mist grey | EA | \$89.06 | \$8.91 | - | 40 |
| 2WS38P | Powerpoint 2 gang double-pole IP33 10A 240V a.c. mist grey | EA | \$118.65 | \$11.86 | - | 40 |
| 2WS38R | Powerpoint 2 gang IP33 10A 240V a.c. with round earth mist grey | EA | \$123.54 | \$12.35 | - | 40 |
| Double powerpoints IP53 - surface mount | | | | | | |
| WS53/2MG | Powerpoint 2 gang IP53 10A 240V a.c. mist grey | EA | \$72.80 | \$7.28 | - | 40 |
| WS53/2WE | Powerpoint 2 gang IP53 10A 240V a.c. white | EA | \$72.95 | \$7.30 | - | 40 |
| WS53/2/15MG | Powerpoint 2 gang IP53 15A 240V a.c. mist grey | EA | \$125.43 | \$12.54 | - | 40 |
| Double powerpoints IP53 - flush mount | | | | | | |
| WS53F/2MG | Powerpoint 2 gang flush mount IP53 10A 240V a.c. mist grey | EA | \$81.23 | \$8.12 | - | 40 |
| WS53F/2WE | Powerpoint 2 gang flush mount IP53 10A 240V a.c. white | EA | \$81.23 | \$8.12 | - | 40 |

Soliroc

Switches, powerpoints & mechanisms



77893



77894



77811



77827



77874



69795

| Cat.Nos | Complete switch and powerpoint | UoM | Trade price \$ | GST \$ | Box qty | Carton qty |
|--|--|-----|----------------|---------|---------|------------|
| Switch | | | | | | |
| 77893 | Switch 1 gang 2 way IP55 IK10 10A 250V a.c. metal silver | EA | \$120.24 | \$12.02 | - | - |
| Single powerpoints | | | | | | |
| 77894 | Powerpoint 1 gang IP55 IK10 10A 240V a.c. metal silver | EA | \$157.20 | \$15.72 | - | - |
| Switch mechanisms | | | | | | |
| Rocker switch mechanisms | | | | | | |
| 77811 | Switch mech. 2 way IP55 IK10 10A 250V a.c. magnesium | EA | \$63.04 | \$6.30 | - | 10 |
| 77812 | Switch mech. illuminated 2 way IP55 IK10 10A 250V a.c. magnesium | EA | \$84.86 | \$8.49 | - | 10 |
| 77814 | Switch mech. ON indicator with lamp 2 way IP55 IK10 10A 250V a.c. magnesium | EA | \$84.86 | \$8.49 | - | 10 |
| 77822 | Switch mech. double-pole IP55 IK10 20A 250V a.c. magnesium | EA | \$113.51 | \$11.35 | - | 10 |
| 77821 | Switch mech. intermediate IP55 IK10 10A 250V a.c. magnesium | EA | \$107.19 | \$10.72 | - | 10 |
| Push-button mechanisms | | | | | | |
| 77841 | Switch mech. 2 way IP55 IK10 6A 230V a.c. magnesium | EA | \$63.41 | \$6.34 | - | 10 |
| Automatic switch mechanisms | | | | | | |
| 77827 | Auto. switch mech. IP55 IK10 400W 2 wire magnesium 3-10m 180° 3-1000 lux | EA | \$179.55 | \$17.96 | - | 10 |
| Key switch mechanisms | | | | | | |
| 77874 | Key switch mech. double-pole IP54 IK10 6A 230V a.c. removable ON/OFF magnesium | EA | \$152.03 | \$15.20 | - | 10 |
| 77875 | Key switch mech. IP54 IK10 6A 230V a.c. removable OFF magnesium | EA | \$152.03 | \$15.20 | - | 10 |
| 69795 | Key barrel european IP54 IK10 with set of 3 keys silver | EA | \$56.30 | \$5.63 | - | 10 |
| Indicator mechanisms | | | | | | |
| 77868 | Illuminated sign IP55 IK10 white LEDs 0.2/1W 230V a.c. white | EA | \$71.20 | \$7.12 | - | 10 |
| 77867 | Passageway light IP55 IK10 white LEDs 2W 250V a.c. white | EA | \$277.34 | \$27.73 | - | 10 |
| Light sensitive switch mechanisms | | | | | | |
| 77828 | Light sensitive switch IP55 IK10 1400W 230V a.c. magnesium 0.5 - 1500 lux | EA | \$116.13 | \$11.61 | - | 10 |
| Time-delay switch mechanisms | | | | | | |
| 77823 | Time-delay mech. IP55 1000W 230V a.c. 25s-15mn 2 wire white | EA | \$189.50 | \$18.95 | - | 10 |



New product



Energy Saving products

More info available.
See technical pages

Coming soon



Product to be discontinued

Whilst most items are stock lines some products are made to order. UoM = Unit Of Measure.
Prices are effective 1 June 2017 and are subject to change without notice. Trade prices exclude GST.

Soliroc

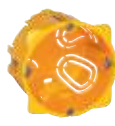
Coverplates & installation accessories



77891



77851



80051



80052



77880A



80251

| Cat.Nos | TV, phone, data and AV sockets | UoM | Trade price \$ | GST \$ | Box qty | Carton qty |
|---|---|-----|----------------|---------|---------|------------|
| 77891 | Data outlet 1 gang RJ45 FTP Cat6 magnesium | EA | \$47.44 | \$4.74 | - | 10 |
| Horizontal coverplates | | | | | | |
| 77851 | Coverplate 1 gang 110x110mm metal silver | EA | \$55.11 | \$5.51 | - | 40 |
| 77852 | Coverplate 2 gang 110x181mm metal silver | EA | \$75.21 | \$7.52 | - | 10 |
| 77853 | Coverplate 3 gang 110x252mm metal silver | EA | \$102.03 | \$10.20 | - | 10 |
| Flush mounting boxes | | | | | | |
| Plastic flush mount boxes for plasterboard | | | | | | |
| 80051 | Flush mount box 1 gang Ø67mm x 50mm deep | EA | \$2.70 | \$0.27 | - | 50 |
| 80052 | Flush mount box 2 gang Ø67mm x 50mm deep | EA | \$4.28 | \$0.43 | - | 30 |
| 80053 | Flush mount box 3 gang Ø67mm x 50mm deep | EA | \$6.71 | \$0.67 | - | 30 |
| Flush mount boxes for brick walls | | | | | | |
| 80151 | Flush mount box 1 gang plastic | EA | \$2.68 | \$0.27 | - | 100 |
| Surface mounting boxes | | | | | | |
| 77890 | Surface mount box 1 gang 110x110x45mm | EA | \$28.82 | \$2.88 | - | - |
| 77892 | Surface mount box 2 gang 100x181x45mm | EA | \$48.76 | \$4.88 | - | - |
| Adaptors | | | | | | |
| 77880A | Adaptor with cover for 2 module mechs IP55 IK10 metal silver | EA | \$84.05 | \$8.40 | - | 20 |
| 77881 | Adaptor for 2 module mechs IP20 metal silver | EA | \$31.38 | \$3.14 | - | 20 |
| 77884A | Adaptor with cover & key for 2 module mechs IP55 IK10 metal silver | EA | \$137.67 | \$13.77 | - | 20 |
| Blanking plugs | | | | | | |
| 77896 | Blanking plugs removable only by drilling set of 4 | EA | \$7.21 | \$0.72 | 5 | 250 |
| Foam seals | | | | | | |
| 77885 | Foam seal for 1 gang plate | EA | \$4.40 | \$0.44 | - | 30 |
| 77886 | Foam seal for 2 gang plate | EA | \$9.02 | \$0.90 | - | 20 |
| 77887 | Foam seal for 3 gang plate | EA | \$13.19 | \$1.32 | - | 40 |
| Holesaw | | | | | | |
| 80067 | Holesaw for Batibox 1 to 4 gang with extractor pilot drill with carbide tip | EA | \$79.55 | \$7.96 | - | 20 |
| Supports | | | | | | |
| 80251 | Universal support for all type of screw-mounting bases 1 gang - 2 modules | EA | \$2.13 | \$0.21 | 10 | 100 |



New product



Energy Saving products

More info available.
See technical pages

Coming soon



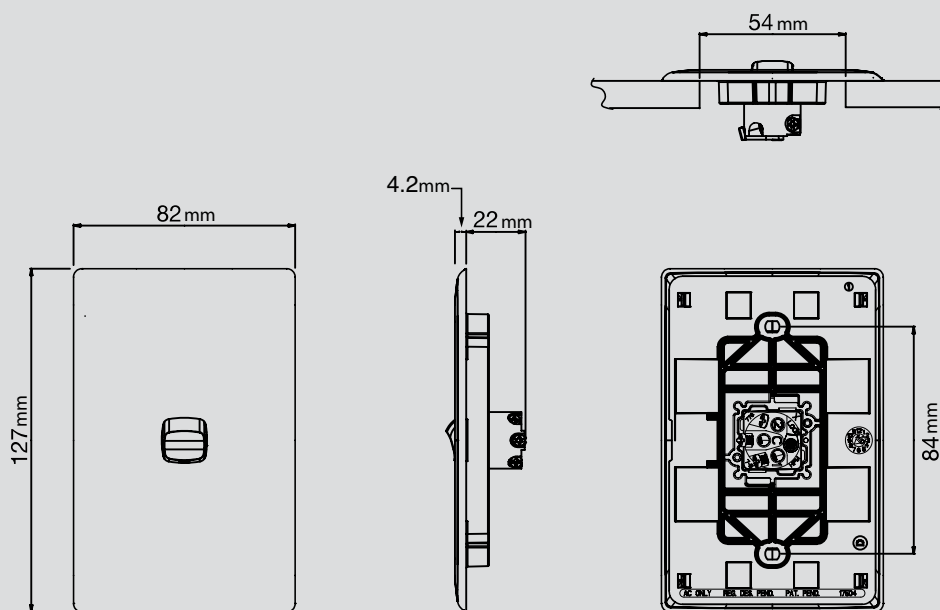
Product to be discontinued

Linea - vertical switches 10A with 84mm mounting centres

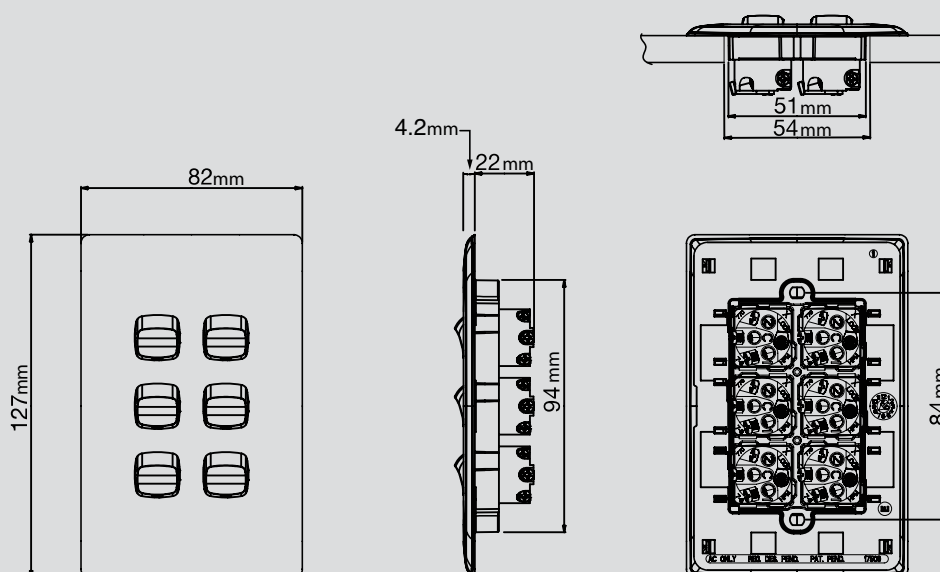
Cat No. LN770/1, LN770/6

■ Dimensions

Cat No. LN770/1



Cat No. LN770/6

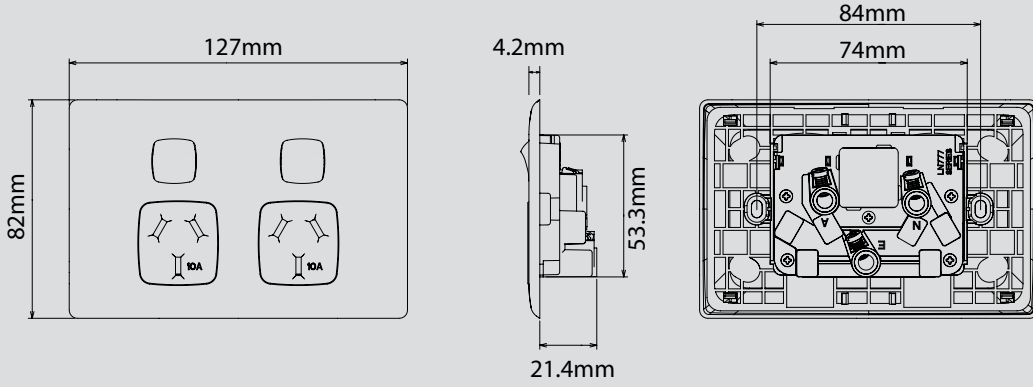


Linea - double powerpoints 10A with 84mm mounting centres

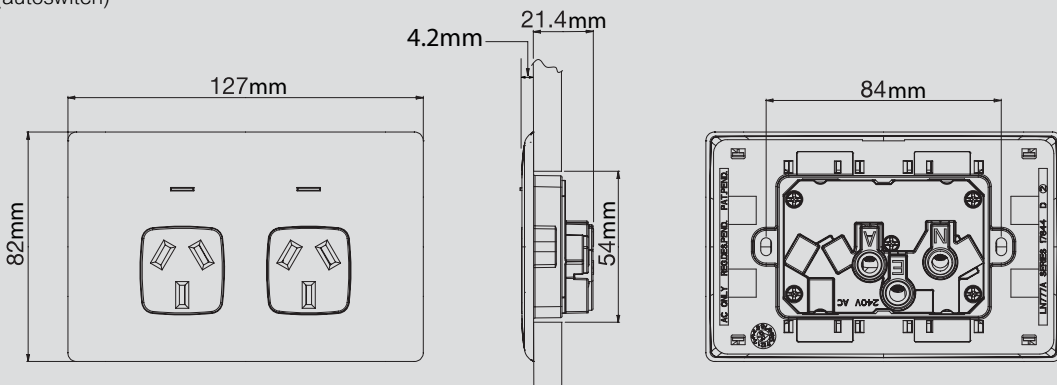
Cat No. LN777, LN777A

■ Dimensions

Cat No. LN777



Cat No. LN777A (autoswitch)



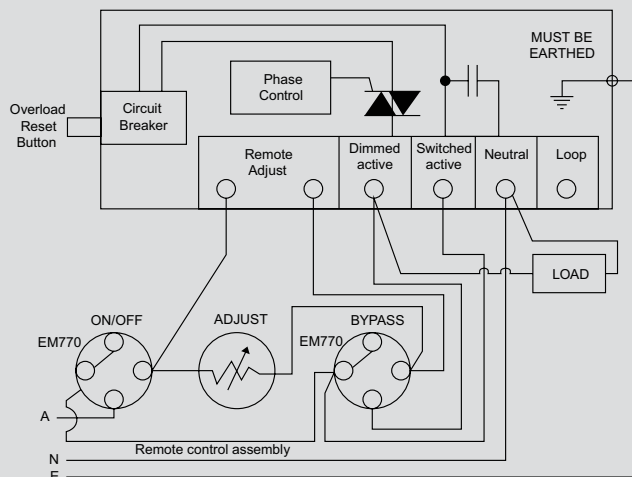
Excel Life - remote control light dimmer

Cat No. EM2000ERC

Installation

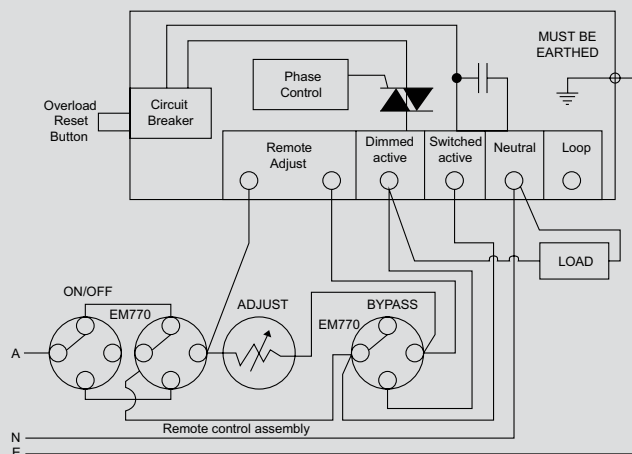
Cat No. EM2000ERC

The dimmer unit is in a surface mounting enclosure complete with terminal cover. (Size: 100mm W; 45mm H; 190mm L, with Ø4mm mounting holes.) For typical installation examples see Fig 1 to Fig 3.



Note: Cat No. EM770 not supplied

Fig 1. One-way wiring diagram with bypass



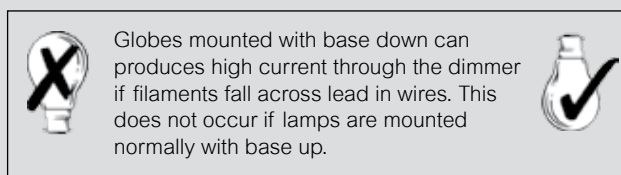
Note: Cat No. EM770 not supplied

Fig 2. Two-way wiring diagram with bypass

Operation

The light level is controlled by the knob. Clockwise rotation increases brightness. The minimum preset is accessible through a small hole on the side of the dimmer unit. This is useful when controlling fluorescent lighting levels to prevent flicker. It is adjusted using a screwdriver, when the remote mounted control is set to minimum brightness.

The circuit breaker on the left hand side can be reset by pushing in the centre button. Before resetting, the cause of the overload should be found.



Dimmer units must not be mounted under insulation, and dimmer units mounted in enclosures must be either derated or adequately ventilated. Units must be derated when above their rated temperature up to their limit of 75°C max. Derate 2% for every 1°C above 25°C.

Account must also be taken of adjacent heat producing sources such as other dimmers etc.

This Legrand dimmer has filters for radio frequency interference suppression, but care must still be taken to ensure that wiring between the dimmer and load is distanced from electronic equipment and aerial inputs.

Excel Life - electronic push-button dimmers and time-delay switches

Cat No. EM400A2P, EM400A3P, EM802TD, EM803TD

Electronic push-button dimmer EM400A2P technical characteristics

| | | | | | | | |
|--|--|---|---|--|------------------|-----------|---|
| + 50°C + 0°C 230-240V a.c. 50Hz | 1 x 2.5mm ² 2 x 1.5mm ² | <ul style="list-style-type: none"> Incandescent Halogen | <ul style="list-style-type: none"> Halogen or dimmable LED with electronic transformer Dimmable compact fluorescent Dimmable LED without transformer | <ul style="list-style-type: none"> Halogen with wirebound transformer | Fluorescent tube | Fan motor | |
| | | | | | | | |
| Max load | 1 dimmer per plate | 350W | 350VA | 8 | X | X | X |
| | 2 dimmers per plate | 300W | 300VA | 8 | X | X | X |
| | 3 or more dimmers per plate | 250W | 250VA | 8 | X | X | X |

Note:

1. In the case of dimmable compact florescent or dimmable LED without transformer, this is the maximum number of lamps.
2. Where both max power and max number of transformers/lamps are specified, both conditions must be satisfied.
3. When used in ambient temperatures greater than 25°C, the dimmer must be de-rated by 10% for every increase of 5°C.
4. This product is not compatible with all dimmable LED's and should be bench tested prior to installation.

Electronic push-button dimmer EM400A3P technical characteristics

| | | | | | | | | |
|--|--|---|---|--|------------------|-----------|---|---|
| + 50°C + 0°C 230-240V a.c. 50Hz | 1 x 2.5mm ² 2 x 1.5mm ² | <ul style="list-style-type: none"> Incandescent Halogen | <ul style="list-style-type: none"> Halogen or dimmable LED with electronic transformer Dimmable compact fluorescent Dimmable LED without transformer | <ul style="list-style-type: none"> Halogen or dimmable LED with wirewound transformer² | Fluorescent tube | Fan motor | | |
| | | | | | | | | |
| Max load | 1 dimmer per plate | 350W | 350VA | 8 | 300VA | 6 | X | X |
| | 2 dimmers per plate | 350W | 350VA | 8 | 250VA | 6 | X | X |
| | 3 or more dimmers per plate | 300W | 300VA | 8 | 200VA | 6 | X | X |

Minimum load = 3VA for all load types

Note: This product is not compatible with all dimmable LED's and should be bench tested prior to installation

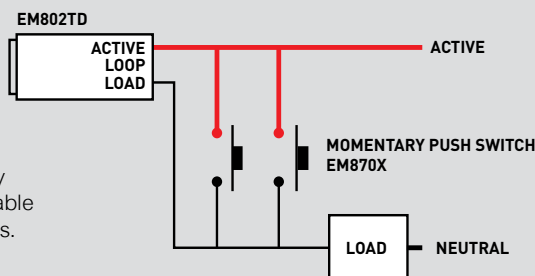
Electronic push-button time-delay EM802TD/EM803TD technical characteristics

| | | | | | | | | | |
|--|--|--------------|---------|------------------|-----------------------|------------------------|---------------------|-------|-----------|
| + 50°C + 0°C 230-240V a.c. 50Hz | 1 x 2.5mm ² 2 x 1.5mm ² | Incandescent | Halogen | Fluorescent tube | Wirewound transformer | Electronic transformer | Compact fluorescent | LED | Fan motor |
| | | | | | | | | | |
| Max load (802TD) | | 400W | 400W | 400VA* | X | 400VA | 400VA | 400VA | X |
| Max load (803TD) | | 1200W | 1200W | 500VA | 500VA | 500VA | 500VA | 500VA | 500VA |

Minimum load = 10VA for all load types

* Electronic ballast only

Wiring EM802TD



■ Connect optional Momentary Push Switches (EM770X) to enable switching from multiple locations.

Important:

An unlimited number of EM770XWE can be connected to an EM802TD. However, the total length of the load wire used to interconnect all of the EM770XWE should not exceed 50 metres.

Note:

For other technical details please refer to the installation instructions of each device.

Load compatibility disclaimer:

Although significant efforts have been made to ensure dimmers are compatible with a large variety of drivers (CFL, LEDs), it is not possible to guarantee 100% compatibility with all devices.

Excel Life - rotary dimmers

Cat No. EM250TR, EM400TR, EM700TR

Rotary dimmers - EM250TR/EM400TR/EM700TR technical characteristics

| | + 50°C + 0°C 230-240V a.c. 50Hz 1 x 2.5mm ² 2 x 1.5mm ² | Incandescent | Halogen | Fluorescent tube | Wirewound transformer | Electronic transformer | Compact fluorescent | LED | Fan motor |
|-------------------------|--|--------------|---------|------------------|-----------------------|------------------------|---------------------|-----|-----------|
| Max load EM250TR | 1 dimmer per plate | 250W | 250W | X | X | 250VA | 250VA see note | X | X |
| | 2 dimmers per plate | 225W | 225W | X | X | 225VA | 225VA see note | X | X |
| | 3 or more dimmers per plate | 200W | 200W | X | X | 200VA | 200VA see note | X | X |
| Max load EM400TR | 1 dimmer per plate | 400W | 400W | X | X | 400VA | 400VA see note | X | X |
| | 2 dimmers per plate | 350W | 350W | X | X | 350VA | 350VA see note | X | X |
| | 3 dimmers per plate | 300W | 300W | X | X | 300VA | 300VA see note | X | X |
| Max load EM700TR | 1 dimmer per plate | 700W | 700W | X | X | 700VA | 700VA see note | X | X |

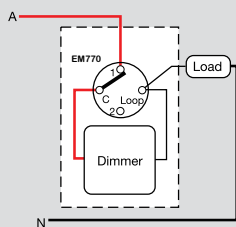
Minimum load = 10VA for all load types

Note

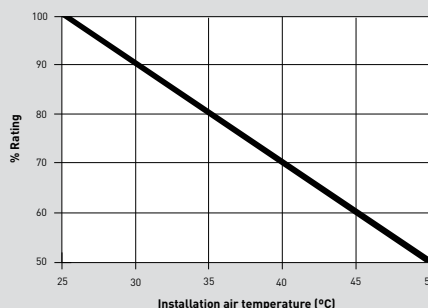
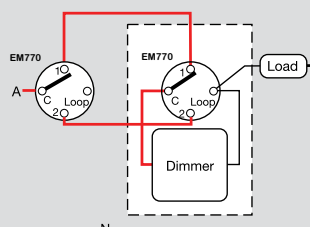
Compact Fluorescent Lamps (CFLs) and LCDs, also known as Energy Saving Lamps, can only be dimmed if they are specifically marked as "dimmable". Dimmable CFLs may have different characteristics from brand to brand, and so each brand may require a specific type of dimmer to operate correctly. Using the incorrect dimmer may cause the CFL to flicker. Please read the documentation that comes with each CFL carefully to ensure that the CFL and dimmer are compatible. For more information, please contact Legrand Australia. In some cases, the dimmable CFL may turn off or flicker when dimmed to a very low brightness. This can be overcome by ensuring that the dimmer brightness is not set too low. See "Setting minimum brightness" for instructions on how to achieve this.

Wiring for rotary dimmers

One-way wiring diagram



Two-way wiring diagram



Important:

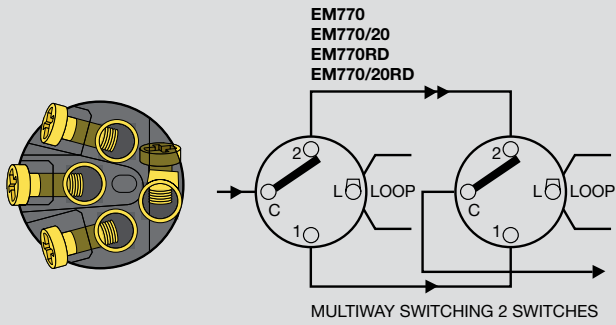
When used in ambient temperatures greater than 25°C, the dimmer must be de-rated according to the following chart.

Excel Life - mechanical switch mechanism wiring diagrams

Cat No. EM770, EM770RD, EM770/20, EM770/20RD, EM770DP, EM770DPRD, EM770/20DP, EM770IM, EM770/25, EM770/32, EM770DUO

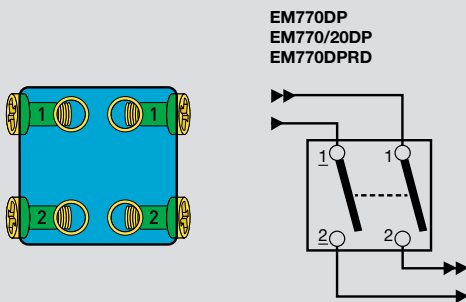
1 & 2 Way (SPDT) EM770 Series 240V a.c.

| Cat. No. | Legend | Loop | Amp Rating | Body Colour |
|-----------------------|--------|------|------------|-------------|
| EM770 / EM770RD | SPDT | 1L | 16A/16AX | Black |
| EM770/20 / EM770/20RD | SPDT | 1L | 20A/20AX | Black |



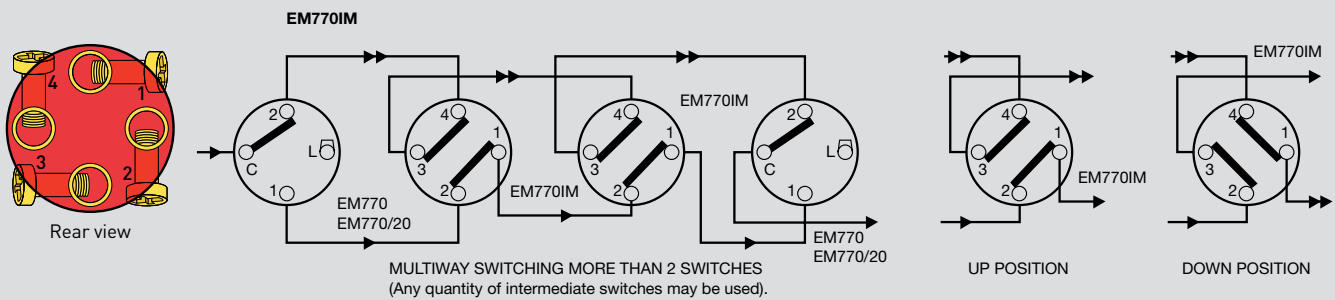
Double Pole (DPST) EM770DP Series 240V a.c.

| Cat. No. | Legend | Loop | Amp Rating | Body Colour |
|---------------------|--------|------|------------|-------------|
| EM770DP / EM770DPRD | DPST | 0L | 16A/10AX | Blue |
| EM770/20DP | DPST | 0L | 20A/10AX | Blue |



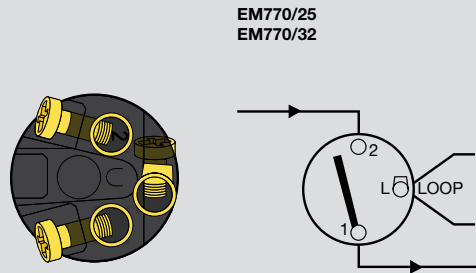
Intermediate (DPXT - Crossover) EM770I Series 240V a.c.

| Cat. No. | Legend | Loop | Amp Rating | Body Colour |
|----------|--------|------|------------|-------------|
| EM770IM | DPXT | 0L | 16A | Red |



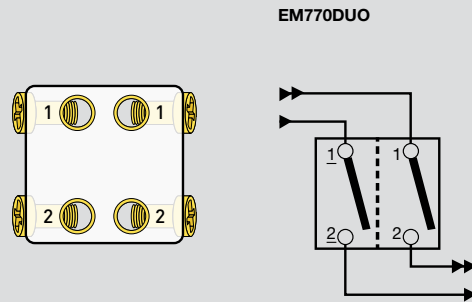
1 Way (SPST) EM770 Series 240V a.c.

| Cat. No. | Legend | Loop | Amp Rating | Body Colour |
|----------|--------|------|------------|-------------|
| EM770/25 | SPST | 1L | 25A/20AX | Grey |
| EM770/32 | SPST | 1L | 32A/20AX | Grey |



Duo Series 2 x 1 Way (2 x SPST) 240V a.c.

| Cat. No. | Legend | Loop | Amp Rating | Body Colour |
|----------|--------|------|------------|-------------|
| EM770DUO | 2xSPST | 0L | 16A/10AX | White |

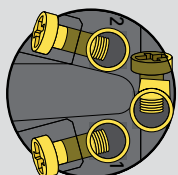
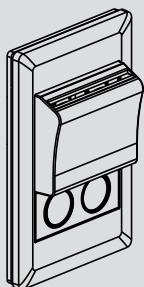


Excel Life - mechanical switch mechanism wiring diagrams

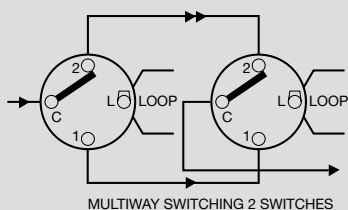
Cat No. EM770/20KT, EM820KLO, EM820KLI, EM820KLIO, EM770X

KeyTag - 1 Way (SPST) EM770/20KT

| Cat. No. | Legend | Loop | Amp Rating | Motor Rating | Body Colour |
|------------|--------|------|------------|--------------|-------------|
| EM770/20KT | SPST | 1L | 20A | M80 | Black |

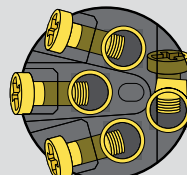


Rear view EM770/20KT

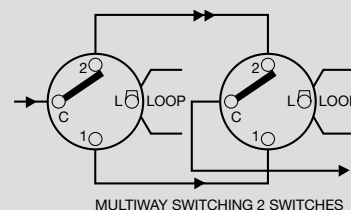


Push-Buttons (Bell Push) Single Pole - Normally Open EM770X Series 240V a.c.

| Cat. No. | Legend | Loop | Amp Rating | Body Colour |
|----------|---------|------|------------|-------------|
| EM770X | SPST-NO | 0 | 16A | White |

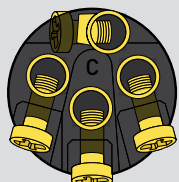


Rear view EM770X

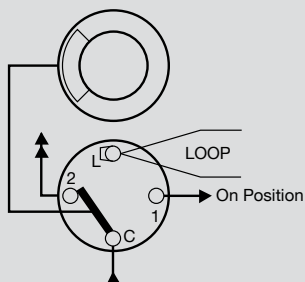


Keylock Switch Assembly - 1 & 2 Way (SPDT) 770 Series 240V a.c.

| Cat. No. | Legend | Loop | Amp Rating | Motor Rating | Body Colour |
|-----------|--------|------|------------|--------------|-------------|
| EM820KLO | SPDT | 1L | 20A | M80 | Black |
| EM820KLI | SPDT | 1L | 20A | M80 | Black |
| EM820KLIO | SPDT | 1L | 20A | M80 | Black |



Rear view EM820KL



Colour code (Position in which key can be removed).

WHITE – OFF (O)

GREY – ON (I)

BEIGE – ON (I) and OFF (O)

Legend

SPST = single pole, single throw

SPDT = single pole, double throw

DPDT = double pole, double throw

DPST = double pole, single throw

DPXT = double pole cross-over

NC = normally closed

NO = normally opened

L = Loop

Using X Rating

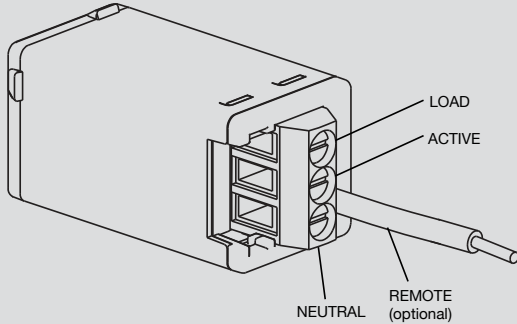
Excel Life series switches marked with an 'X' are suitable for fluorescent installations up to the switch rating.

Excel Life - electronic push-button switch mechanism wiring diagrams

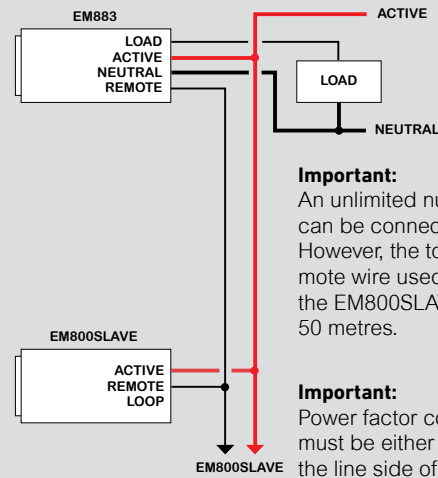
Cat No. EM883

Electronic push-button switch wiring diagram EM883WE

- Connect optional Secondary Control Buttons (EM800SLAVE) to enable switching from multiple locations.



Rear view EM883



Important:

An unlimited number of EM800SLAVE can be connected to an EM883. However, the total length of the remote wire used to interconnect all of the EM800SLAVE should not exceed 50 metres.

Important:

Power factor correction capacitors must be either removed or placed on the line side of the electronic push button switch.

Technical characteristics

| | | | | | | | | | |
|--|--|---------------------|----------------|-------------------------|------------------------------|-------------------------------|----------------------------|------------|------------------|
| <p>+ 50°C + 0°C 230-240V a.c. 50Hz</p> | <p>1 x 2.5mm² 2 x 1.5mm²</p> | <p>Incandescent</p> | <p>Halogen</p> | <p>Fluorescent tube</p> | <p>Wirewound transformer</p> | <p>Electronic transformer</p> | <p>Compact fluorescent</p> | <p>LED</p> | <p>Fan motor</p> |
| Max load | | 1200W | 1200W | 500VA | 500VA | 500VA | 500VA | 500VA | 500VA |

MINIMUM LOAD = 10VA FOR ALL LOAD TYPES

LED Indicator

- The colour of the LED indicator can be either red or blue. In addition, when the switch is off the LED indicator can either glow faintly or be off completely. The four possible modes are in the table on the right.

- To change between modes, press and hold the push-button for at least 10 seconds. This will select the next mode in the sequence above.

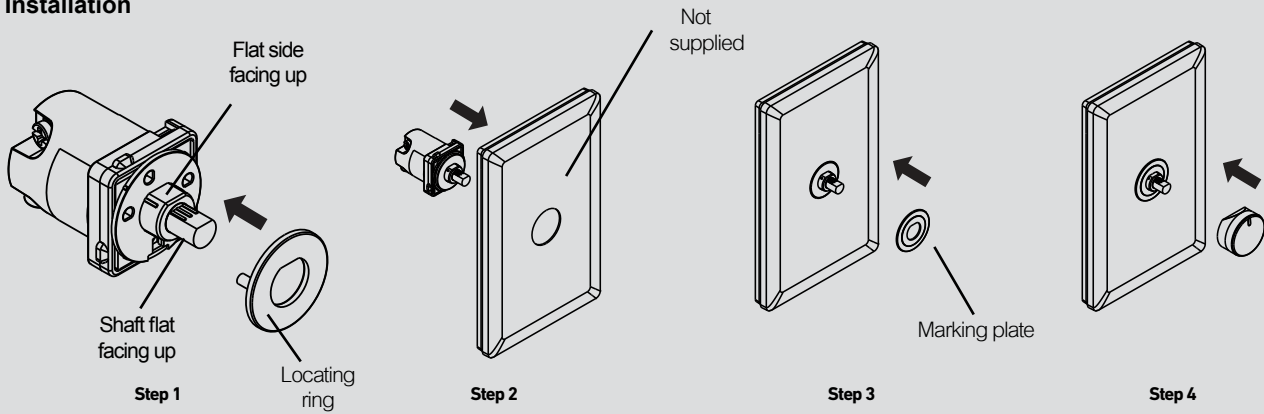
| Mode | Status of LED indicator | |
|------|-------------------------|------------|
| | Switch on | Switch off |
| 1 | Bright Red | Faint Red |
| 2 | Bright Blue | Faint Blue |
| 3 | Bright Red | Off |
| 4 | Bright Blue | Off |



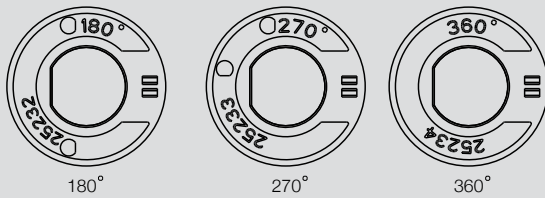
Excel Life - rotary switch

Cat No. EMRS

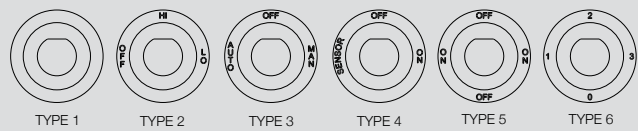
Installation



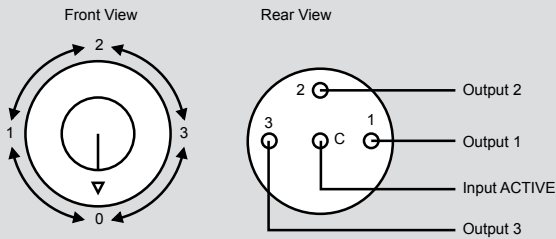
Rotation ring options



Marking plate options



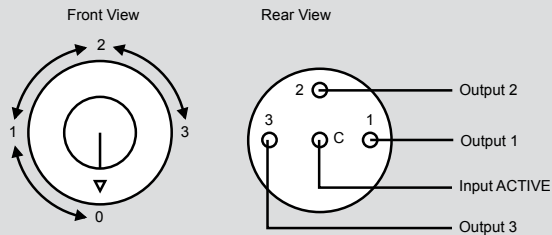
Wiring for 360° rotation



Select one of the following wiring options:

| POSITION | | | | WIRING |
|----------|----|-----|----|---------------------------|
| 0 | 1 | 2 | 3 | |
| OFF | ON | ON | ON | Connect All Terminals |
| OFF | ON | OFF | ON | Do Not Connect Terminal 2 |

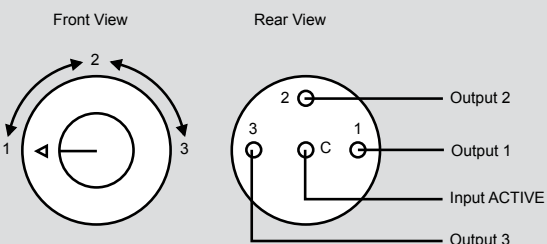
Wiring for 270° rotation



Select one of the following wiring options:

| POSITION | | | | WIRING |
|----------|----|----|----|-----------------------|
| 0 | 1 | 2 | 3 | |
| OFF | ON | ON | ON | Connect All Terminals |

Wiring for 180° rotation



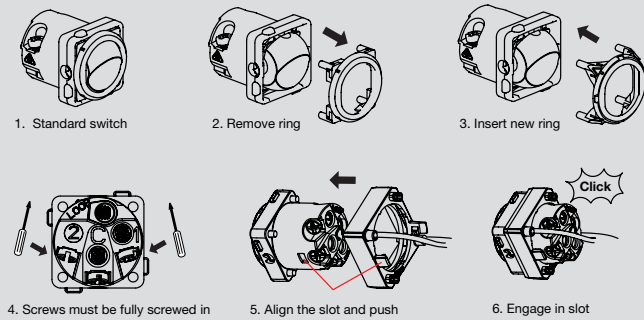
Select one of the following wiring options:

| POSITION | | | WIRING |
|----------|-----|-----|---------------------------|
| 1 | 2 | 3 | |
| ON | ON | ON | Connect All Terminals |
| ON | OFF | ON | Do Not Connect Terminal 2 |
| OFF | ON | ON | Do Not Connect Terminal 1 |
| ON | ON | OFF | Do Not Connect Terminal 3 |

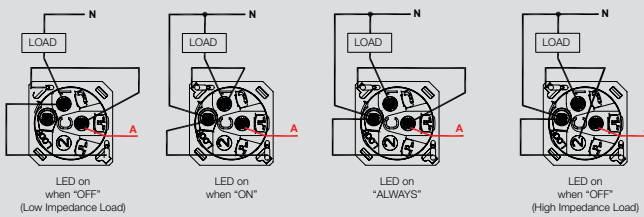
Excel Life - illuminated LED ring kits and LED Power Supplied/Power available indicator kits

Cat No. EM770LED, EMPAPS2, EMPAPS1, EMPA, EMPS1, EMPS2, EM803LED

Installation EM770LED - LED 770 illumination kit



Wiring

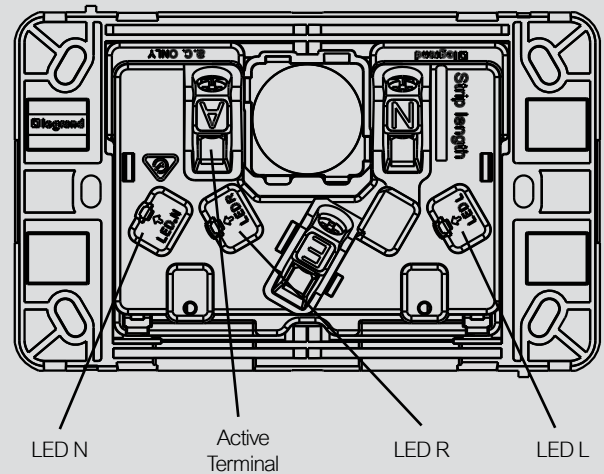
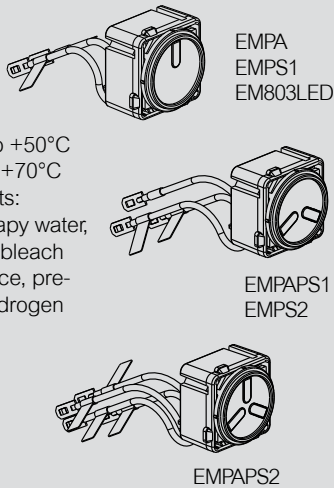


Note: Low Impedance Load examples include incandescent, halogen, resistive loads
High Impedance Load examples include CFL's, LED globes

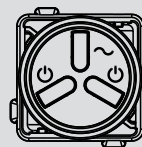
LED Power Available/Power Supplied indicator kits EMPAPS2, EMPAPS1, EMPA, EMPS1, EMPS2, EM803LED

Features

- Voltage: 230-240V a.c.
- Frequency: 50Hz
- Current: 1.2mA per indicator
- Operating temperature: -5°C to +50°C
- Storage temperature: -10°C to +70°C
- Resistant to the following agents: Hexane, methylated spirits, soapy water, diluted ammonia, diluted pure bleach (10%), glass cleaning substance, pre-impregnated wipes, diluted hydrogen peroxide
- Not resistant to the following agents: Acetone, tar remover, trichloroethylene

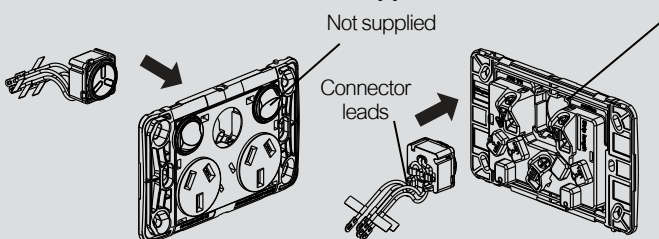


Example: EMPAPS2

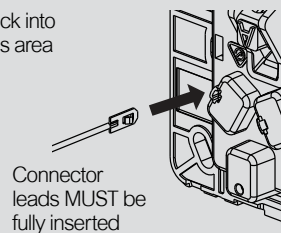


⊖ = Power available (Amber)
⊕ = Power supplied (Red)

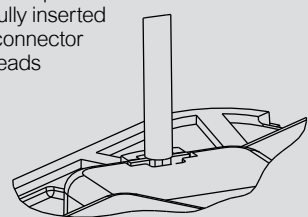
LED Power Available/Power Supplied indicator kits EMPAPS2, EMPAPS1, EMPA, EMPS1, EMPS2, EM803LED



Click into this area



Example of a fully inserted connector leads



Wiring

| Wire/lead marking | LED N | LED L | LED R | LED | A |
|--|-----------------|-----------------------|-----------------------|-----------------|-----------------|
| EMPAPS2 | Neutral | Switched Active (LHS) | Switched Active (RHS) | | Active |
| EMPAPS1 | Neutral | | | Switched active | Active |
| EMPA | Neutral | | | | Active |
| EMPS2 | Neutral | Switched Active (LHS) | Switched Active (RHS) | | |
| EMPS1 | Neutral | | | Switched active | |
| EM803LED (power available)** | Neutral | | | | Active |
| EM803LED (power supplied) | Neutral | | | | Switched active |
| EM803LED (power available without neutral)** | Switched active | | | | Active |

++ = In this mode the LED indicator will be ON whenever there is power available to the product.

** = In this mode the LED indicator will only be ON whenever the associated switch/socket is OFF. The current required to light the indicator when the switch is ON will be bled through the load.

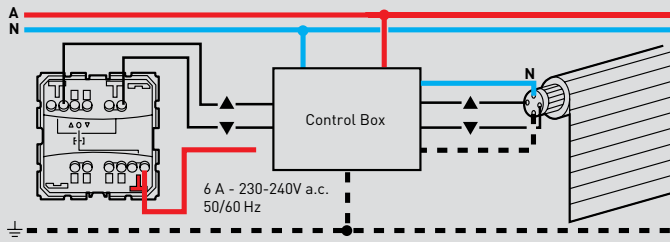
Excel Life - shutter, blind, curtain control

Cat No. EC919, EC920

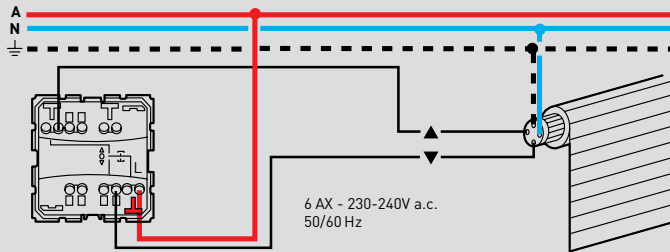
Excel Life - plates and cut-out dimensions

Wiring

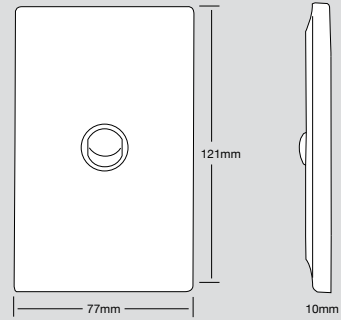
Push-button switch (Cat No EC919)



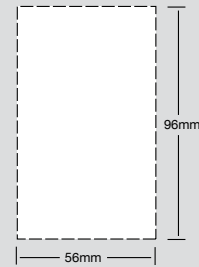
Push-button switch (Cat No EC920)



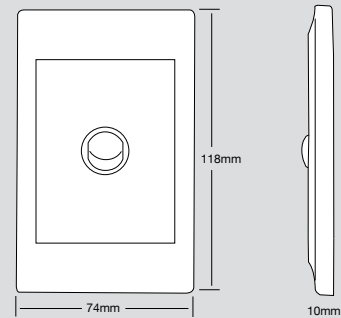
Dedicated plate series dimensions



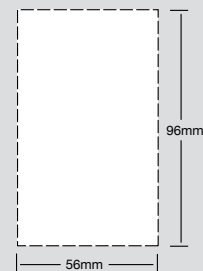
Maximum cut-out dimensions



Common plate series dimensions



Maximum cut-out dimensions



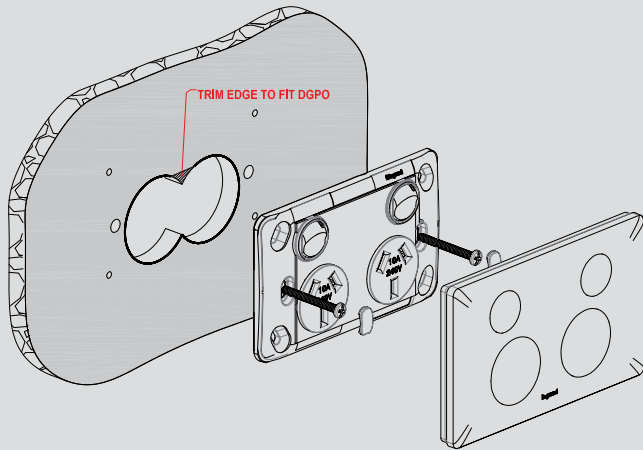
Excel Life - powerpoint installation details

Cat No. ED777, ED787

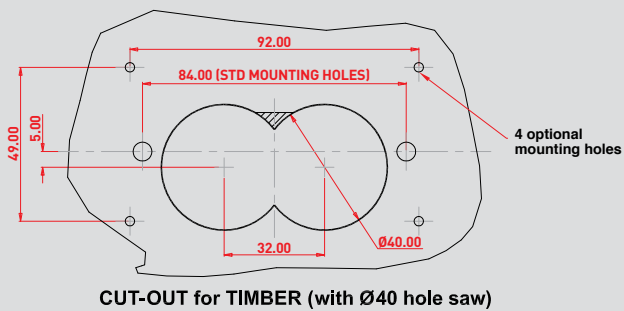
Hard Surfaces Installations

Double powerpoint 10A

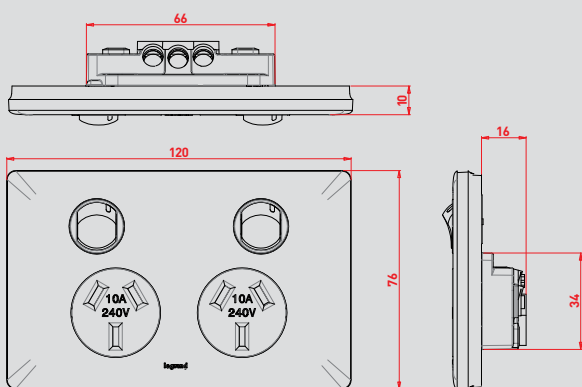
Assembly



Cut-out dimensions

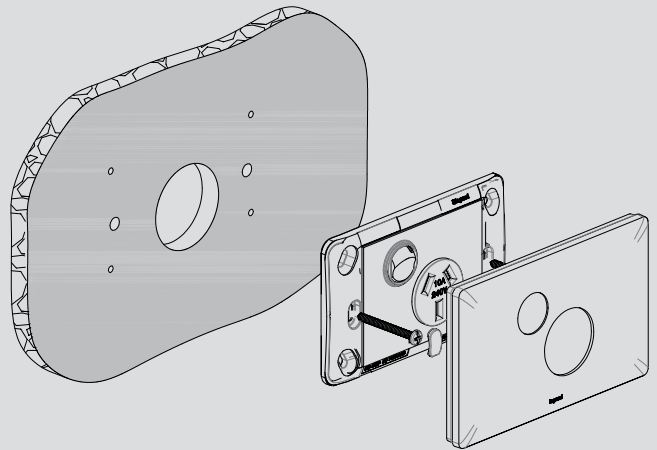


Product dimensions

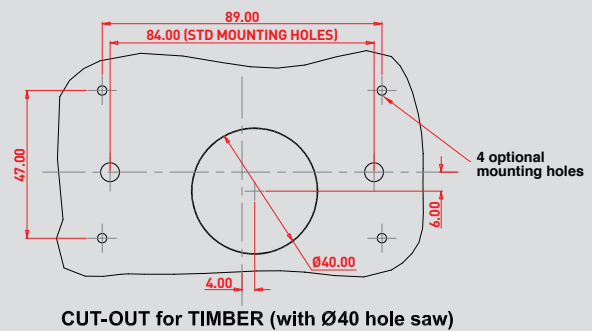


Single powerpoint 10A

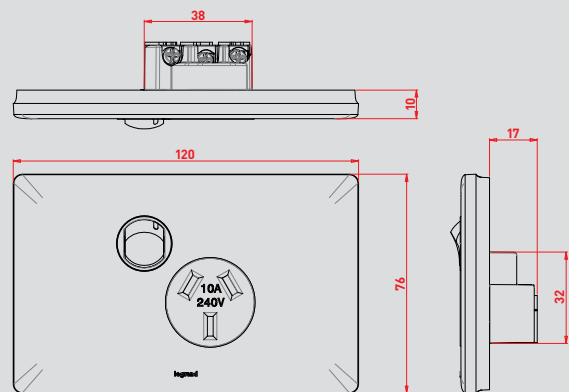
Assembly



Cut-out dimensions



Product dimensions



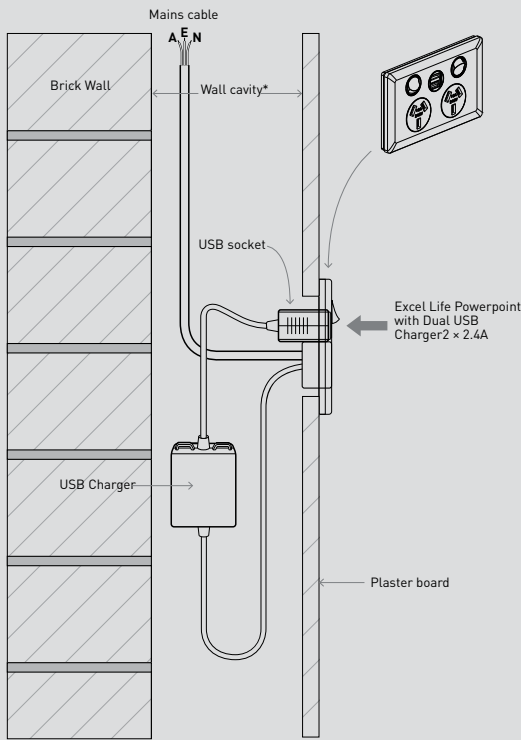
Note:

Cut-out dimensions for other devices are 96mm x 56mm

Excel Life - USB chargers installation details

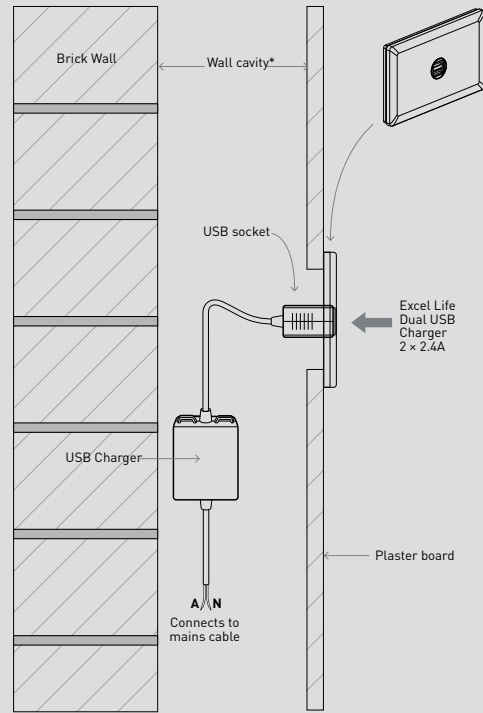
Cat No. ED777USB2PSA, EMUSB2PSA, EMUSB2PSX

Installation in plasterboard – USB Powerpoint



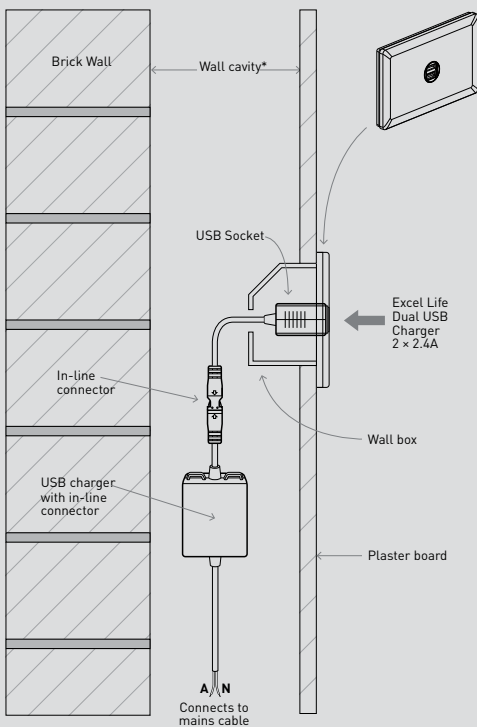
e.g. ED777USB2PSAWE

Installation in plasterboard – USB Charger



e.g. EMUSB2PSAWE + ED770/1GPLWE

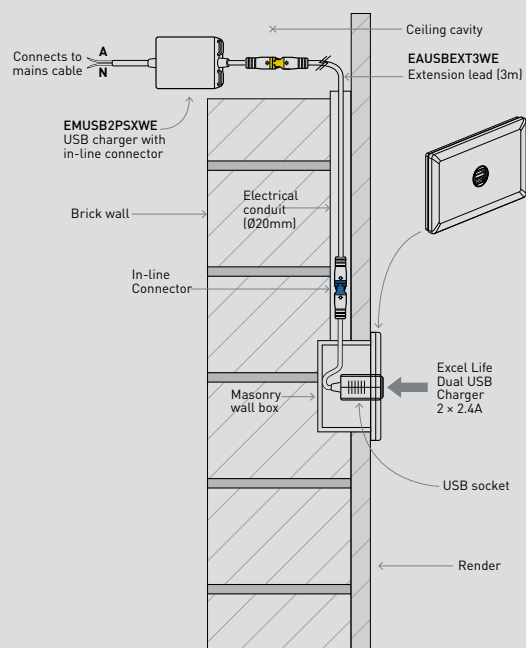
Installation in plasterboard with wall boxes – USB Charger



e.g. EMUSB2PSXWE + ED770/1GPLWE

* Minimum 50mm cavity required.

Installation in brick walls with wall boxes – USB Charger



e.g. EMUSB2PSXWE + EAUSBEXT3WE + ED770/1GPLWE

Excel - dimmers

Cat No. XL250L, XL250T, XL400L, XL400T, XL700L, XL700T, XL1000L, XL1000T, XL1000ERC, XL2000ERC

Specification table

| Cat No. | Type | Maximum load | Minimum load | Incandescent | 240V linear halogen | GU10 240V halogen downlights | Low voltage halogen with wirewound (Iron Core) transformers* | Low voltage halogen with electronic transformers | Ceiling fan |
|---------|---------------|--------------|--------------|--------------|---------------------|------------------------------|--|--|-------------|
| XL250L | Leading edge | 250VA | 10VA | ✓ | ✓ | ✓ | ✓ | ✗ | ✗ |
| XL250T | Trailing edge | 250VA | 10VA | ✓ | ✓ | ✗ | ✗ | ✓ | ✗ |
| XL400L | Leading edge | 400VA | 10VA | ✓ | ✓ | ✓ | ✓ | ✗ | ✗ |
| XL400T | Trailing edge | 400VA | 10VA | ✓ | ✓ | ✗ | ✗ | ✓ | ✗ |
| XL700L | Leading edge | 700VA | 10VA | ✓ | ✓ | ✓ | ✓ | ✗ | ✗ |
| XL700T | Trailing edge | 700VA | 10VA | ✓ | ✓ | ✗ | ✗ | ✓ | ✗ |
| XL1000L | Leading edge | 1000VA | 10VA | ✓ | ✓ | ✓ | ✓ | ✗ | ✗ |
| XL1000T | Trailing edge | 1000VA | 10VA | ✓ | ✓ | ✗ | ✗ | ✓ | ✗ |

Remote mounted dimmers

| Cat No. | Type | Maximum load | Minimum load | Incandescent | 240V linear halogen | GU10 240V halogen downlights | Low voltage halogen with wirewound (Iron Core) transformers* | Low voltage halogen with electronic transformers | Ceiling fan |
|-----------|--------------|--------------|--------------|--------------|---------------------|------------------------------|--|--|-------------|
| XL1000ERC | Leading edge | 1000VA | 75VA | ✓ | ✓ | ✗ | ✓ | See note | ✓ |
| XL2000ERC | Leading edge | 2000VA | 75VA | ✓ | ✓ | ✗ | ✓ | See note | ✓ |

Note

Some electronic transformers state that they are compatible with Leading Edge Dimmers. However, significant derating of the dimmer is usually required. Therefore, HPM recommends the use of Trailing Edge Dimmers (HPM Cat No. XL250T, XL400T, XL700T or XL1000T) for these applications. If it is necessary to use a Leading Edge Dimmer, then please refer to the Dimming Electronic Transformers information sheet enclosed with the product.

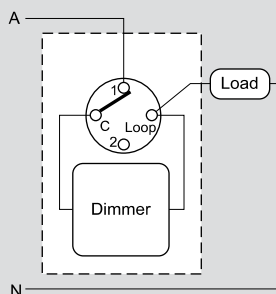
* When using wirewound transformers, ensure the transformers are marked "suitable for dimming" and derate the dimmer by 20%.

Excel - dimmers and fan controllers

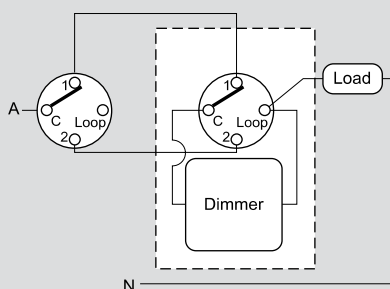
Cat No. XL250L, XL250T, XL400L, XL400T, XL1000ERC, XL2000ERC, XL475/2, XL300F

Wiring diagrams

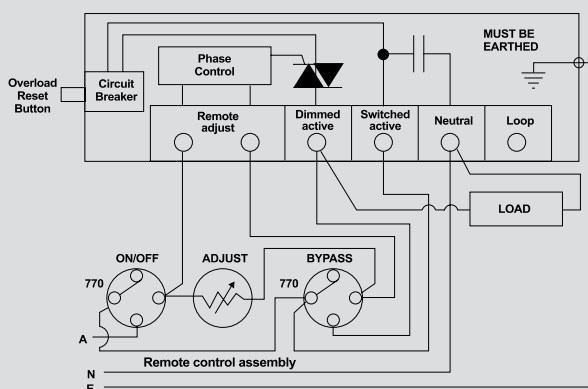
One-way switching with dimmer



Two-way switching with dimmer

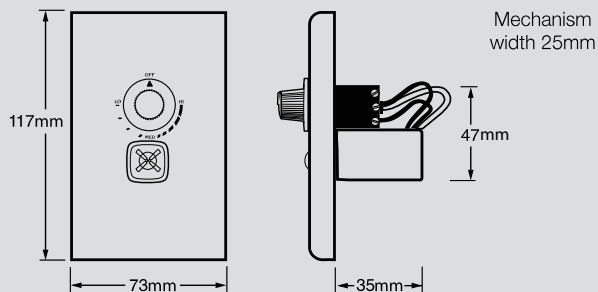


Cat Nos. XL1000ERC and XL2000ERC

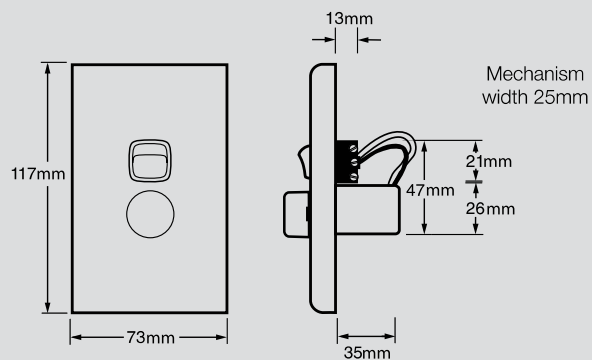


Dimensions

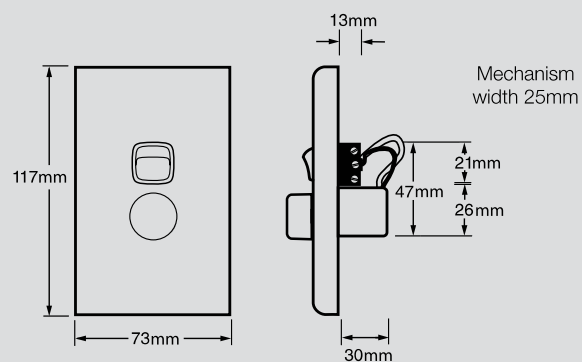
Cat No. XL475/2



Cat No. XL300F



Cat Nos. XL250L, XL250T, XL400L, XL400T

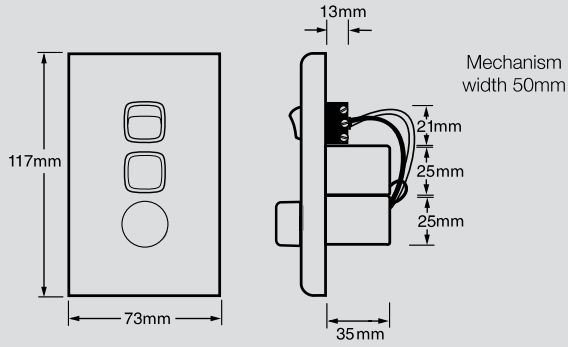


Excel - dimmers

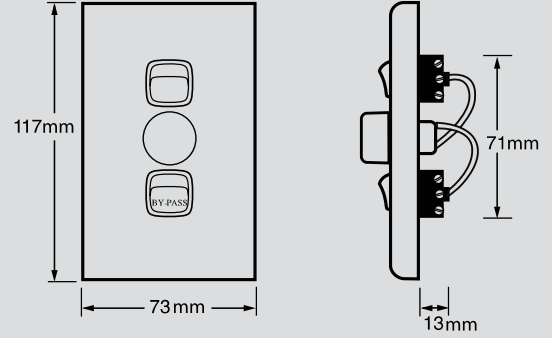
Cat No. XL650ET, XL700L, XL700T, XL1000L, XL1000T, XL1000ERC, XL2000ERC

■ Dimensions

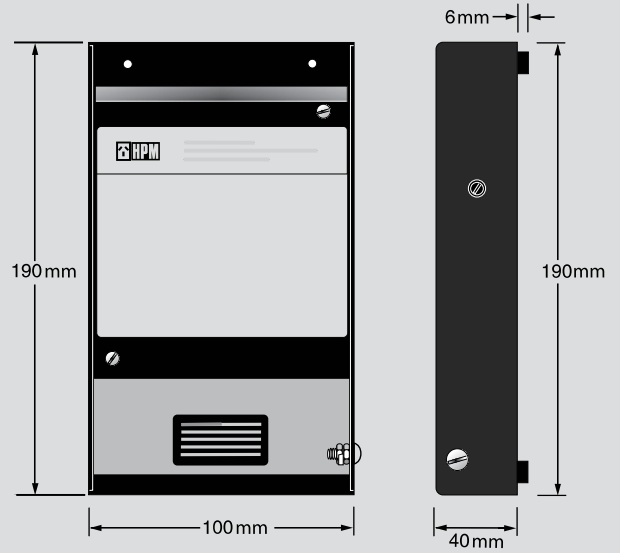
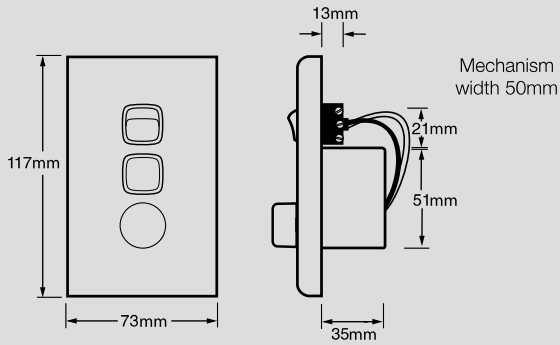
Cat No. XL650ET



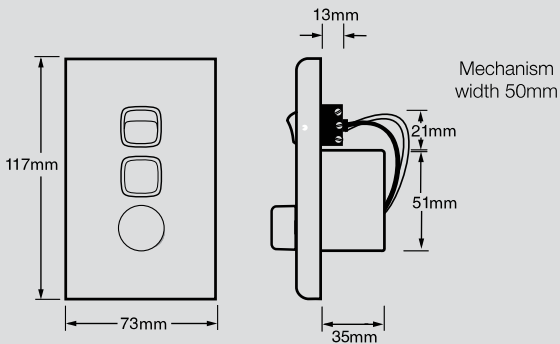
Cat Nos. XL1000ERC, XL2000ERC



Cat Nos. XL700L, XL700T



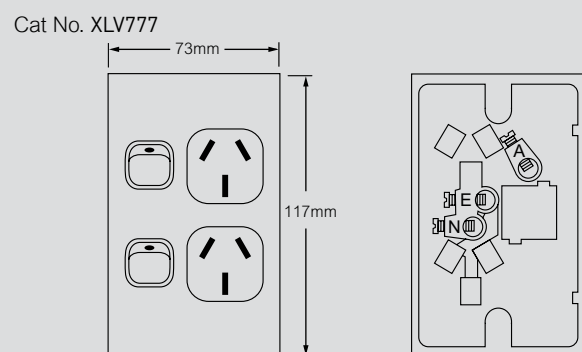
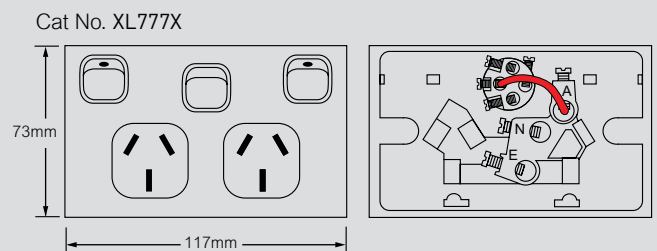
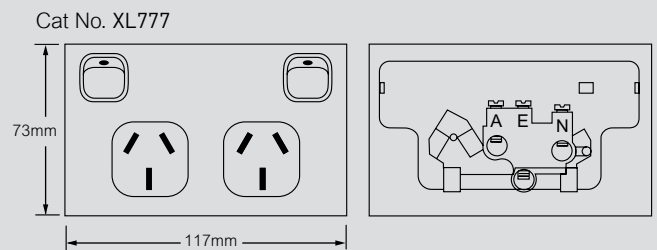
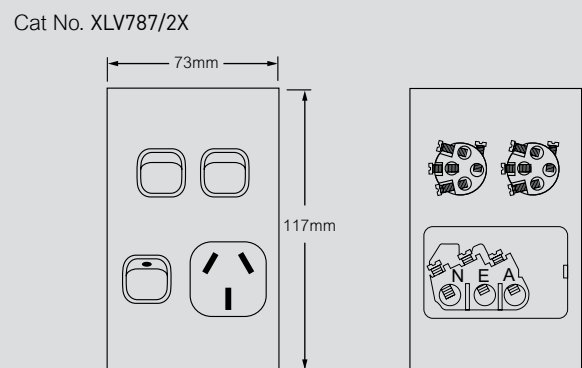
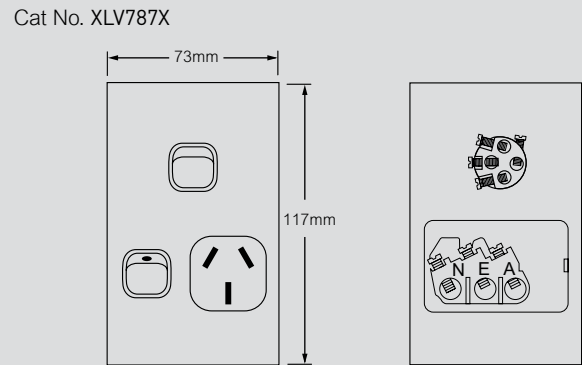
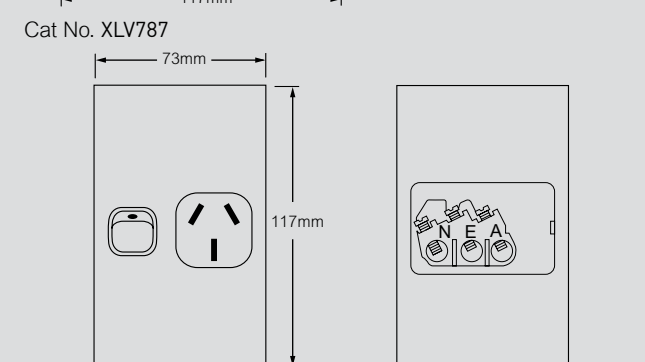
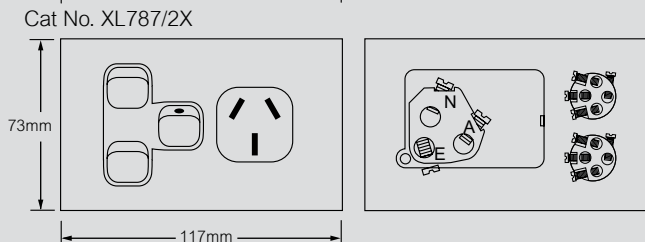
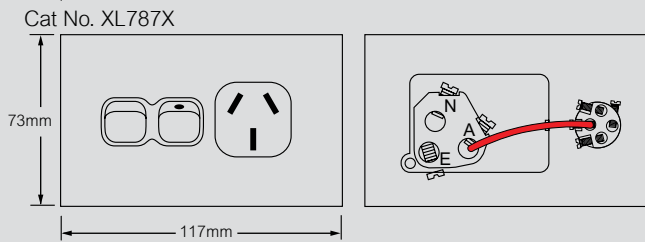
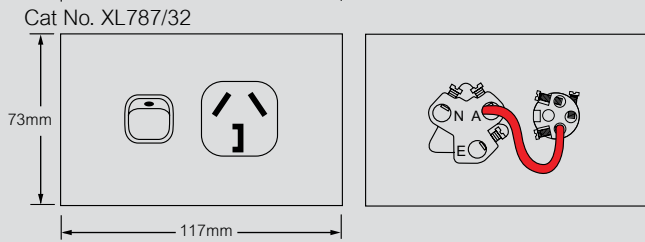
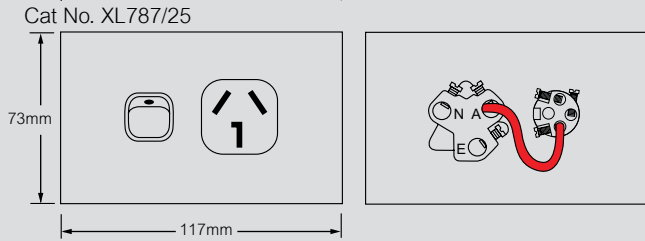
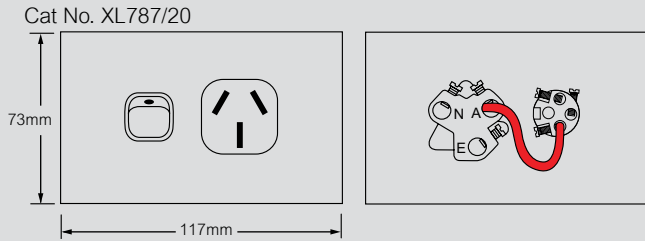
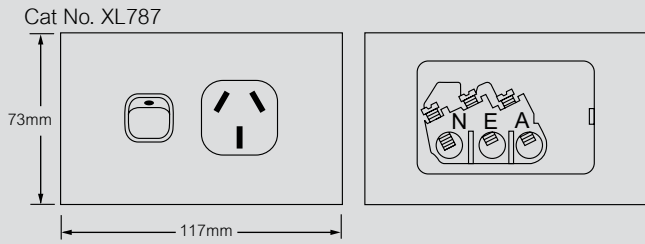
Cat Nos. XL1000L, XL1000T



Excel - powerpoints with 84mm mounting centres

Cat No. XL787, XL787/20, XL787/25, XL787/32, XL787X, XL787/2X, XLV787, XLV787X, XLV787/2X, XL777, XL777X, XLV777

Dimensions

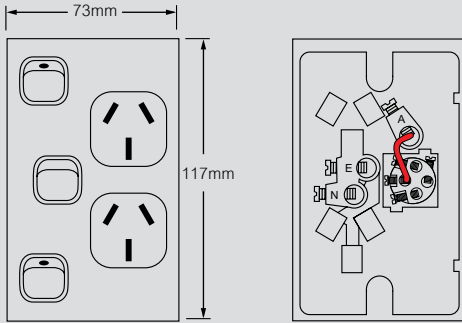


Excel - powerpoints with 84mm mounting centres

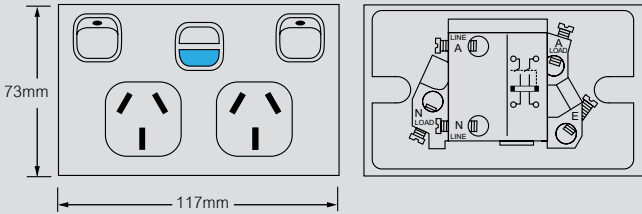
Cat No. XLV777X, XL777EL10, XL777EL30, XL787B, XL777PA

Dimensions

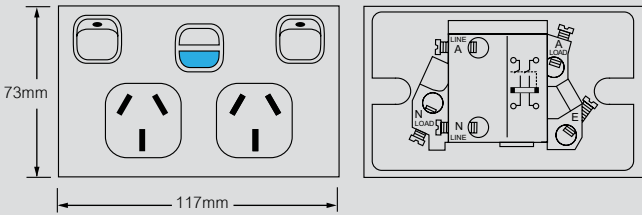
Cat No. XLV777X



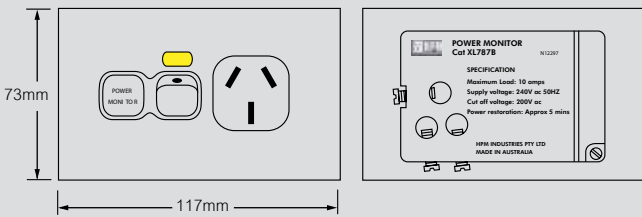
Cat No. XL777EL10



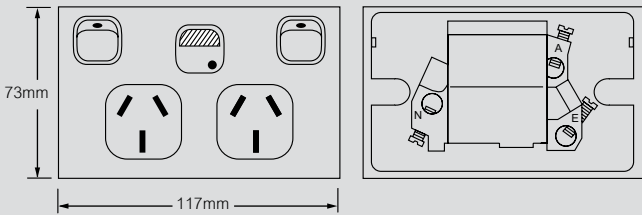
Cat No. XL777EL30



Cat No. XL787B



Cat No. XL777PA



Excel - time-delay switches

Cat No. XLTD770/1, XLTX770/1, XLTX770/2, XLTX770/3, XLTX770/1A, XLTX770/2A, XLTX770/1NC, XLTX770/2NC, XLTF770/1

Specification table

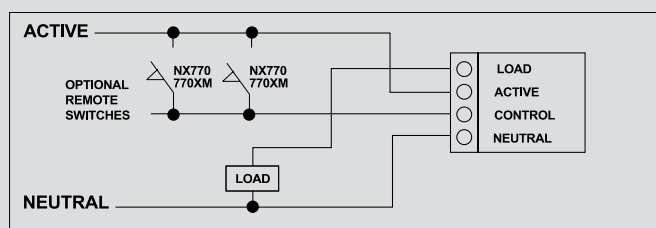
| Cat No. | Maximum load | Neutral required | Mode of operation | Normally open/ closed | Remote control | Timing range |
|-------------|---------------|------------------|-------------------|-----------------------|----------------|-----------------------|
| XLTD770/1 | 600VA | No | Re-trigger | Normally open | Yes | 1, 3 and 10 min |
| XLTX770/1 | 2400VA | Yes | Re-trigger | Normally open | Yes | 1 sec - 239 hrs |
| XLTX770/2 | 2400VA | Yes | Toggle | Normally open | Yes | 1 sec - 239 hrs |
| XLTX770/3 | 2400VA | Yes | Repeat cycle | Normally open | Yes | 15 sec - 24 hrs cycle |
| XLTX770/1A | 2400VA | No | Re-trigger | Normally open | Yes | 1 sec - 239 hrs |
| XLTX770/2A | 2400VA | No | Toggle | Normally open | Yes | 1 sec - 239 hrs |
| XLTX770/1NC | 2400VA | Yes | Re-trigger | Normally closed | Yes | 1 sec - 239 hrs |
| XLTX770/2NC | 2400VA | Yes | Toggle | Normally closed | Yes | 1 sec - 239 hrs |
| XLTF770/1 | 2400VA (lamp) | No | Fan delay | Normally open | No | 3, 10 and 20 min |
| | 600VA (fan) | | | | | |

- Retrigger means that a button press during the timing cycle will restart the timing cycle.
- Toggle means that a button press during the timing cycle will stop the timing cycle.
- Fan delay means that the fan remains on for a certain period after the light is turned off. A light must be connected for the unit to operate.

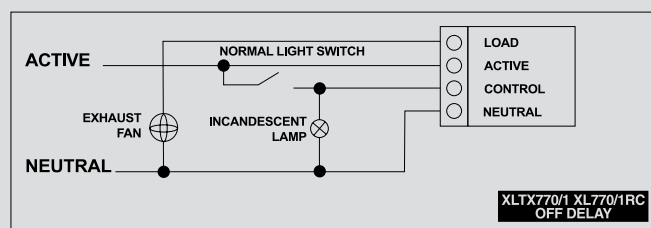
Information

Some HPM time-delay switches may have compatibility issues with some types of compact fluorescent lamp or electronic ballast when the load is small. This may cause the lamp to flicker slightly in the off state. It can be overcome by increasing the size of the load, or by connecting a resistive load in parallel. For more information, please contact Legrand Australia Technical Support on 1300 369 777

Wiring diagrams



Example application with remote switches.

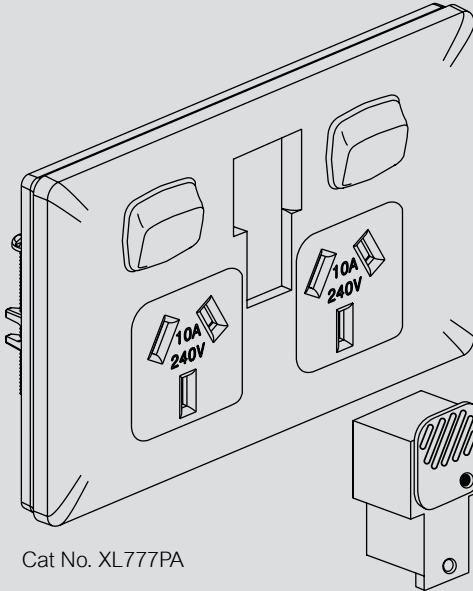


A fan runs for a certain period after light switch is turned off.

Excel - powerpoint with surge diverters

Cat No. XL777PA

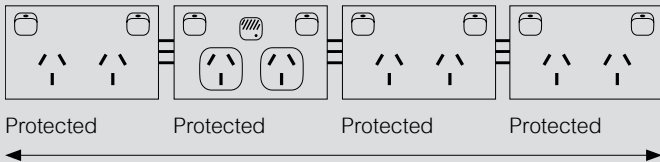
Surge diverters



Cat No. XL777PA

Cat No. XL777PAM
Replacement module

Connection diagrams



Upstream voltage across active to neutral will be slightly above clamp voltage due to upstream circuit impedance.

Specification Cat No. XL777PA

Normal Operating Data

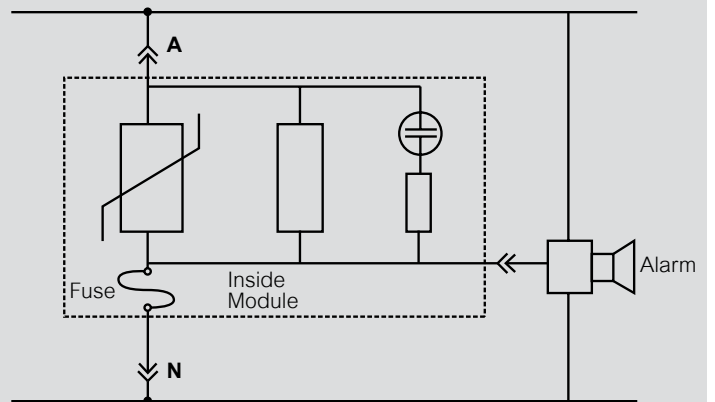
| | |
|---|---------------|
| System Voltage ($U_n \sim$ RMS) | 220-250V a.c. |
| Power Dissipation | 0.6W |
| Varistor Volts V a.c. \sim RMS at 1mA | 450V a.c. |

Transient Data

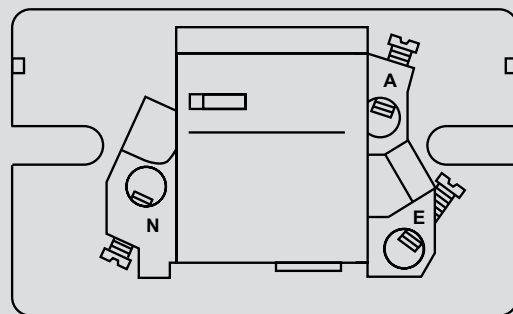
| Surge | Let through Maximum |
|---------------------------------|---------------------|
| 200A Peak 8/20 μ Sec | 800V a.c. peak |
| 4500A* Peak 8/20 μ Sec | 1300V a.c. peak |
| Long wave current 1m/Sec | 75J |
| 2.5kV Peak 1.2/50 μ S | 850V a.c. peak |
| 6kV Peak 0.5/ μ Sec/100KHz | 1200V a.c. peak |
| 200A Peak 0.5/ μ Sec/100KHz | 900V a.c. peak |

* Internal fuse operates above this value.

Module schematic diagram



Terminal layout



Standard - time-delay switches

Cat No. TX770/1RC, TX770/2RC, TF770/1RC

Specification table

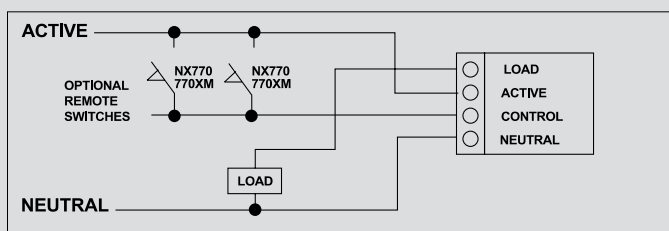
| Cat No. | Maximum load | Neutral required | Mode of operation | Normally open/closed | Remote control | Timing range |
|-----------|---------------|------------------|-------------------|----------------------|----------------|------------------|
| TX770/1RC | 2400VA | Yes | Retrigger | Normally open | Yes | 1 sec - 239 hrs |
| TX770/2RC | 2400VA | Yes | Toggle | Normally open | Yes | 1 sec - 239 hrs |
| TF770/1RC | 2400VA (lamp) | No | Fan delay | Normally open | Yes | 3, 10 and 20 min |
| | 600VA (fan) | | | | | |

- Retrigger means that a button press during the timing cycle will restart the timing cycle.
- Toggle means that a button press during the timing cycle will stop the timing cycle.
- Fan delay means that the fan remains on for a certain period after the light is turned off. A light must be connected for the unit to operate.

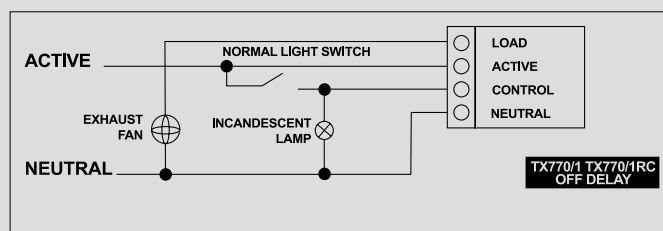
Information

Some HPM time-delay switches may have compatibility issues with some types of compact fluorescent lamp or electronic ballast when the load is small. This may cause the lamp to flicker slightly in the off state. It can be overcome by increasing the size of the load, or by connecting a resistive load in parallel. For more information, please contact Legrand Australia Technical Support on 1300 369 777

Wiring diagrams



Example application with remote switches.

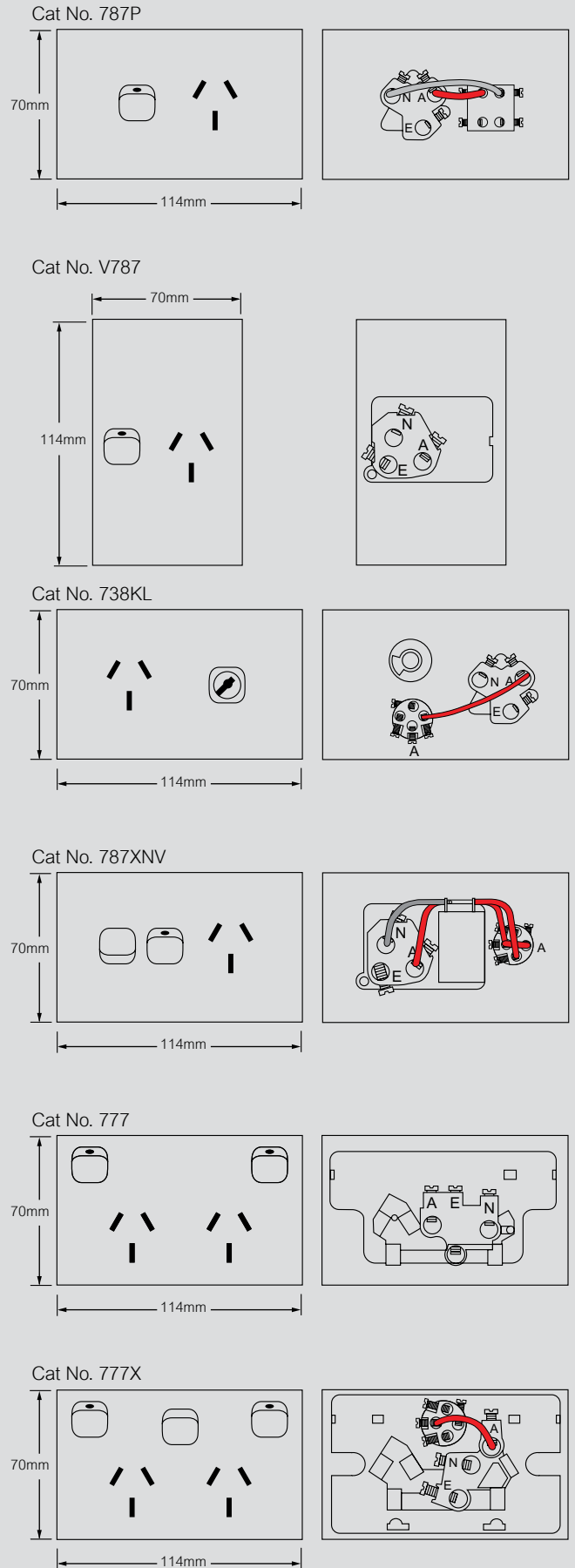
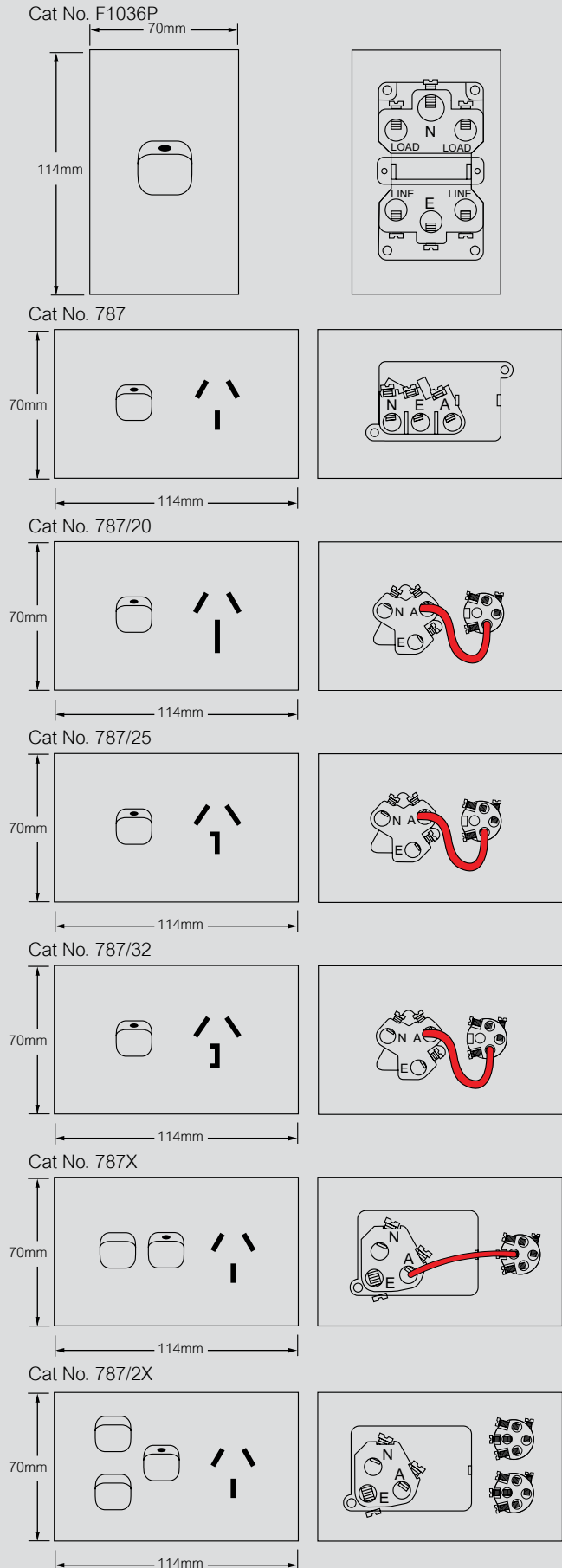


A fan runs for a certain period after light switch is turned off.

Standard - heavy-duty switch and powerpoints with 84mm mounting centres

Cat No. F1036P, 787, 787/20, 787/25, 787/32, 787X, 787/2X, 787P, V787, 738KL, 787XNV, 777, 777X

■ Mounting centres: 84mm



Standard - dimmers

Cat No. 250L, 250T, 400L, 400T, 700L, 700T, 1000L, 1000T

Specification table

| Cat No. | Type | Maximum load | Minimum load | Incandescent | 240V linear halogen | GU10 240V halogen downlights | Low voltage halogen with wirewound (Iron Core) transformers* | Low voltage halogen with electronic transformers | Ceiling fan |
|---------|---------------|--------------|--------------|--------------|---------------------|------------------------------|--|--|-------------|
| 250L | Leading edge | 250VA | 10VA | ✓ | ✓ | ✓ | ✓ | x | x |
| 250T | Trailing edge | 250VA | 10VA | ✓ | ✓ | x | x | ✓ | x |
| 400L | Leading edge | 400VA | 10VA | ✓ | ✓ | ✓ | ✓ | x | x |
| 400T | Trailing edge | 400VA | 10VA | ✓ | ✓ | x | x | ✓ | x |
| 700L | Leading edge | 700VA | 10VA | ✓ | ✓ | ✓ | ✓ | x | x |
| 700T | Trailing edge | 700VA | 10VA | ✓ | ✓ | x | x | ✓ | x |
| 1000L | Leading edge | 1000VA | 10VA | ✓ | ✓ | ✓ | ✓ | x | x |
| 1000T | Trailing edge | 1000VA | 10VA | ✓ | ✓ | x | x | ✓ | x |

Note

Some electronic transformers state that they are compatible with Leading Edge Dimmers. However, significant derating of the dimmer is usually required. Therefore, HPM recommends the use of Trailing Edge Dimmers (HPM Cat No. 400T, 700T or 1000T) for these applications. If it is necessary to use a Leading Edge Dimmer, then please refer to the Dimming Electronic Transformers information sheet enclosed with the product.

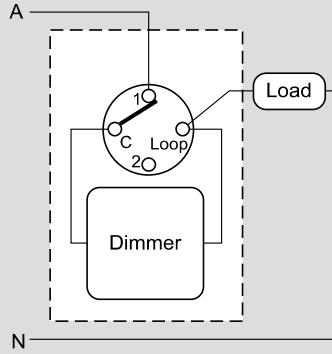
* When using wirewound transformers, ensure the transformers are marked "suitable for dimming" and derate the dimmer by 20%.

Standard - dimmers

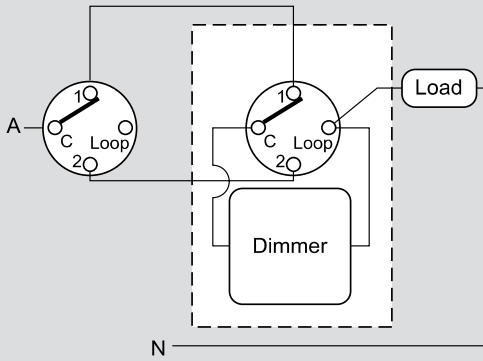
Cat No. 250L, 250T, 400L, 400T, 700L, 700T, 1000L, 1000T, 2000E, 2400E, 475/2

Wiring diagrams

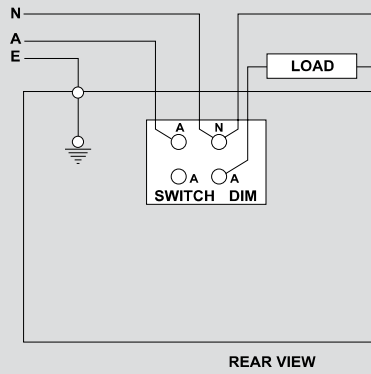
One-way switching with dimmer



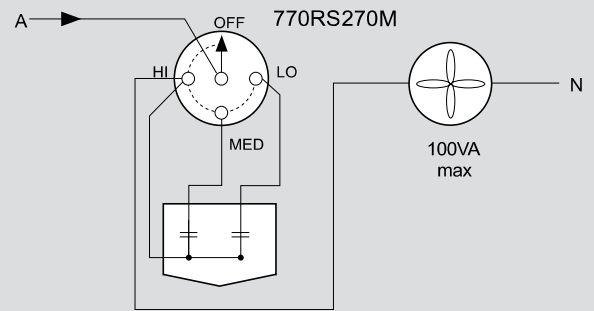
Two-way switching with dimmer



Cat Nos. 2000E and 2400E



Cat No 475/2

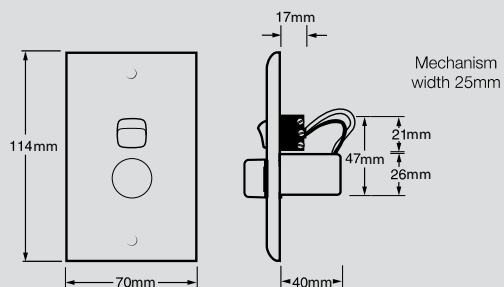


Standard - dimmers and fan controllers

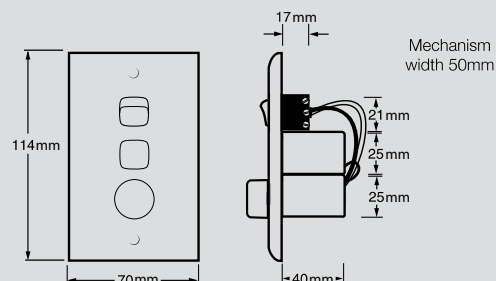
Cat No. 300F, 250L, 250T, 400L, 400T, 700L, 700T, 650ET, 650ET1, 1000L, 1000T, 2000E, 2400E

Dimensions

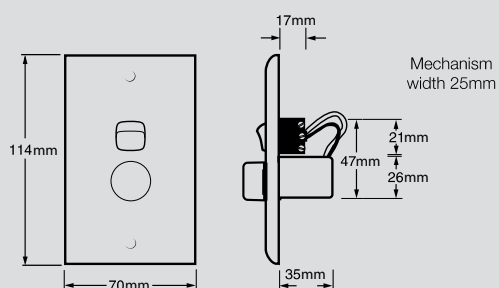
Cat No. 300F



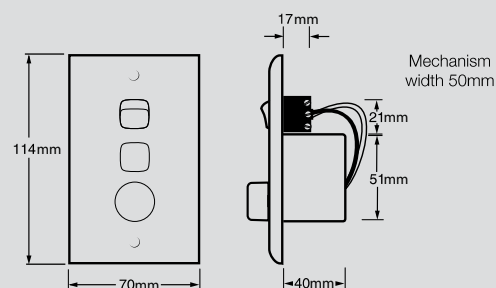
Cat Nos. 650ET, 650ET1



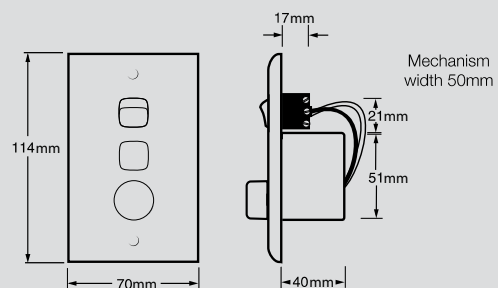
Cat Nos. 250L, 250T, 400L, 400T



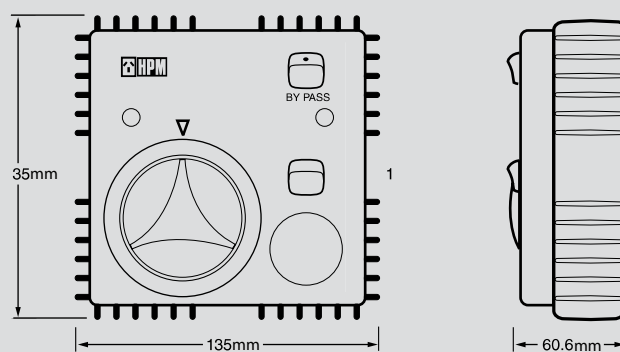
Cat Nos. 1000L, 1000T



Cat Nos. 700L, 700T



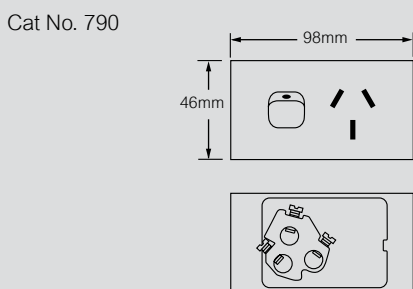
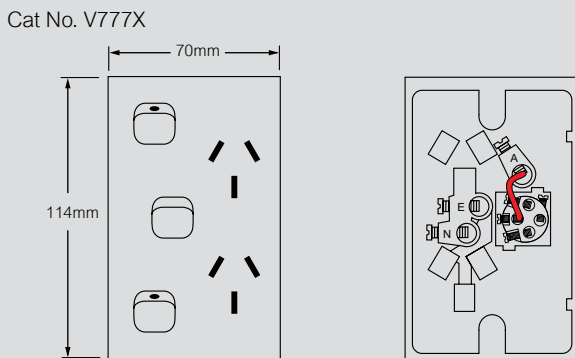
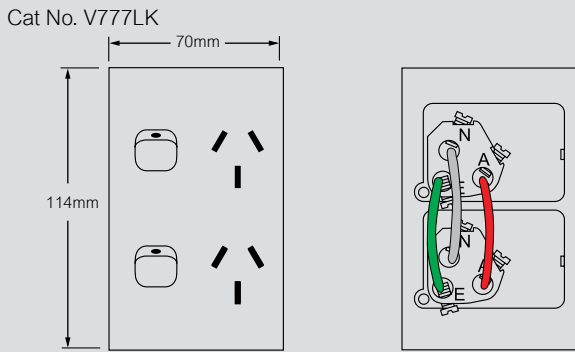
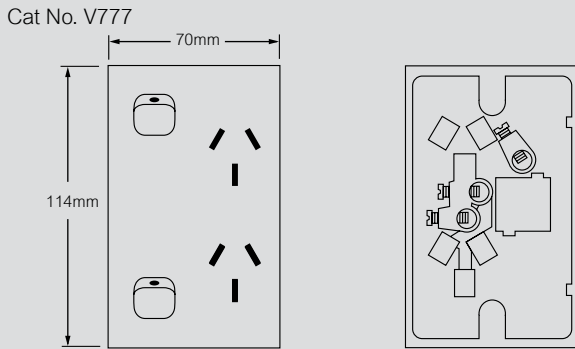
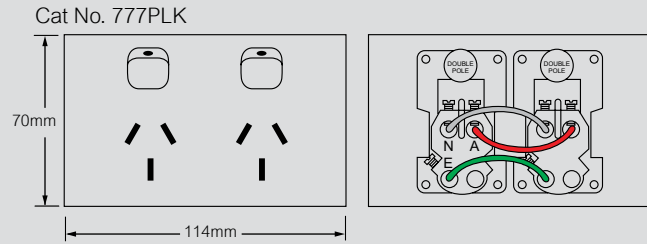
Cat Nos. 2000E, 2400E



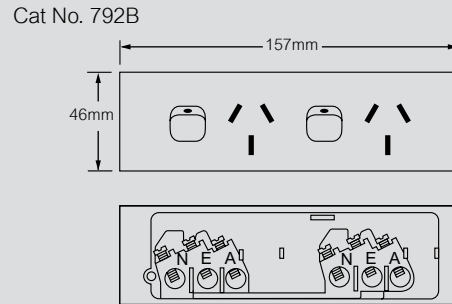
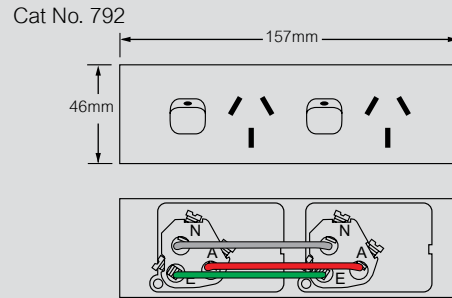
Standard - powerpoints with 84mm and 137mm mounting centres

Cat No. 777PLK, V777, V777LK, V777X, 790, 792, 792B, SQ787, SQ777, SQ777X

Mounting centres: 84mm

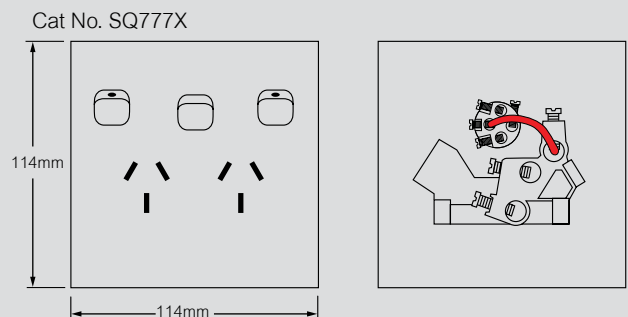
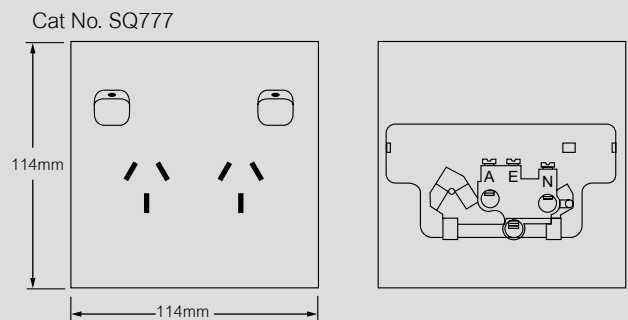
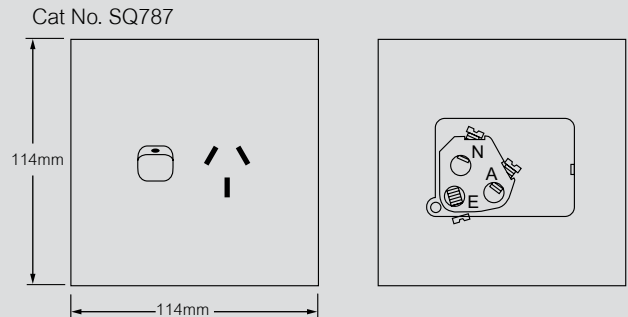


Mounting centres: 137mm



Mounting centres:

4 holes at 46mm horizontal and 84mm vertical
2 holes at 84mm horizontal on centre line

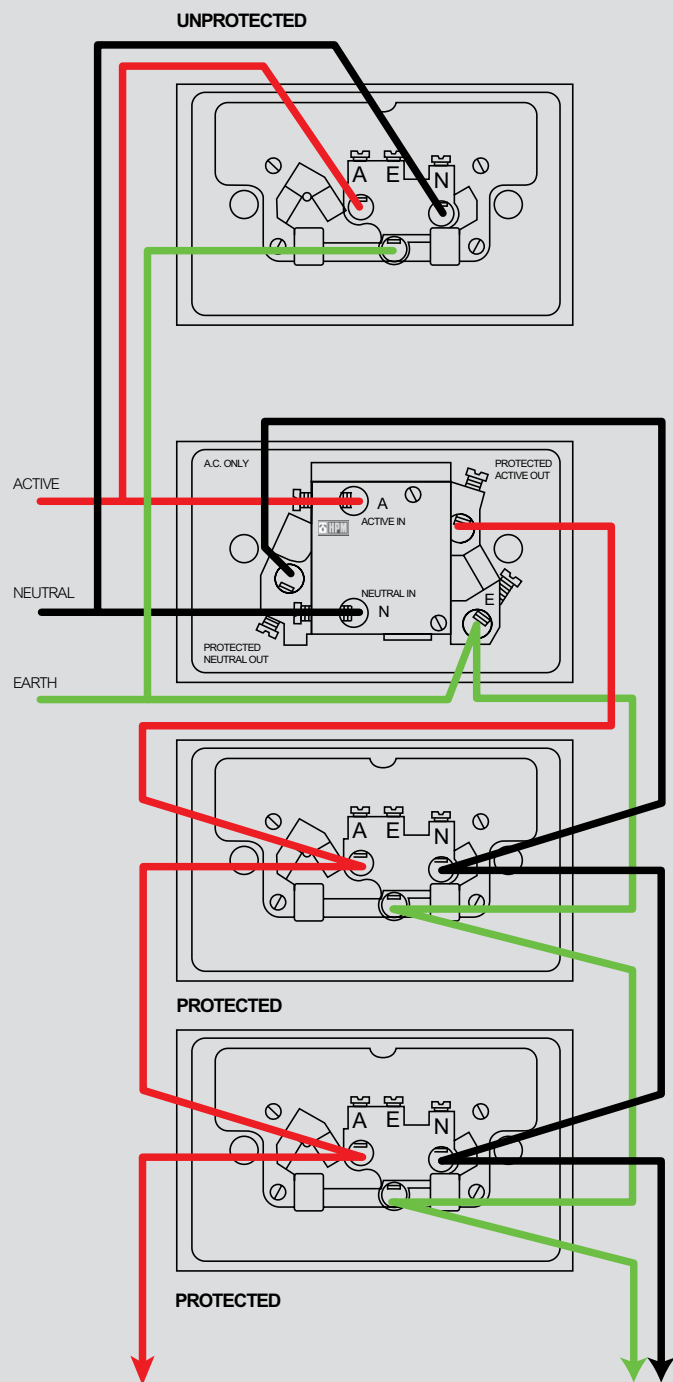


Standard - electsafe safety switches

Cat No. 777EL

Wiring example

Cat No. 777EL



Note

Do not backfeed onto load terminals (local RCD Protection is lost).
 Do not reverse line and load neutral (trips on load current, no trip on neutral to earth fault and false RCD tester values).
 TEST earth resistance, meggerinsulation (including N-E). Tong test appliances on load. Test RCD and all downstream powerpoints.



EXCEL *life*

SUPER JOB
SUPER FAST

USB charging solutions for every type of job

EXCEL LIFE DOUBLE POWERPOINT WITH DUAL USB CHARGER WITH EXTERNAL DRIVER

NEW



TYPE A/ TYPE C



TYPE A

Ideal for plaster board installations

ED777USB2PSA



NEW EXCEL LIFE DOUBLE POWERPOINT WITH DUAL USB CHARGER WITH INTEGRATED DRIVER

NEW



Ideal for brick wall installation

ED777USB2IWE



The traditional Excel Life double powerpoint with dual USB charger with external driver delivers 2.4A per port. With a total charging capacity of 4.8A, the end-user can simultaneously charge 2 tablets at their maximum charging speed. This solution is great for installations in new buildings with plasterboard or double brick wall where there is a cavity to accommodate the external driver.

Our brand NEW Excel Life double powerpoint with dual USB charger with integrated driver delivers a total charging capacity of 2.4A shared between the 2 ports. Featuring a compact size integrated driver, this solution is perfect for fit-off in brick wall buildings or in any installation requiring a wall box.

Now you can install a USB powerpoint whether it is a new or retrofit project.

Visit www.excellife.com.au today

 legrand®



GENERAL WIRING ACCESSORIES & MOBILE PRODUCTS

Brackets



P. 264
Mounting Brackets

Junction & Wall Boxes



P. 265
Wall Boxes

Mounting Blocks



P. 266
Deep Mounting
Blocks

Other Accessories



P. 269
Cable Clips

Plug Tops & Base



P. 271
Plug Tops

Mobile Products



P. 273
Powerboards

FEATURED PRODUCTS



**Acoustic and
Fire Rated Wall Box**
(p. 265)



USB Chargers
(p. 278)



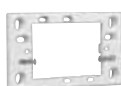
P. 264
Mounting Clips



P. 265
Shrouds



P. 268
Junction Boxes



P. 267
13mm
Mounting Blocks



P. 268
Weatherproof
Mounting Blocks



P. 270
Insulated &
Earth Connectors



P. 270
Identification
Products



P. 271
Plug Bases



P. 272
Safety Plugs



P. 275
Extension Leads



P. 277
Cable Reels



P. 278
USB Chargers



P. 278
Plug-in Timers -
Double Pole



P. 279
Adaptors



**TV/AV
Powerboards**
(p. 273)



**Double Adaptor
with Surge
Protection
Twin Packs**
(p. 279)

Accessories

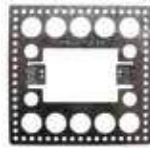
Installation accessories



143



143/2



954R



711



712

| Cat.Nos | Brackets | UoM | Trade price \$ | GST \$ | Box qty | Carton qty |
|---------|---|-----|----------------|--------|---------|------------|
| | Mounting brackets | | | | | |
| 143 | Mounting bracket standard size metal | EA | \$2.23 | \$0.22 | 20 | 200 |
| 143/2 | Mounting bracket horizontal stud mount with nails metal | EA | \$2.38 | \$0.24 | 20 | 120 |
| 143/2V | Mounting bracket vertical stud mount with nails metal | EA | \$2.38 | \$0.24 | 20 | 120 |
| | Render bracket | | | | | |
| 954 | Render bracket for grids 84mm m. centres metal | EA | \$5.23 | \$0.52 | 20 | 120 |
| 954R | Render bracket recessed mount for grids 84mm m. centres metal | EA | \$8.84 | \$0.88 | 20 | 120 |
| | Triple size mounting brackets | | | | | |
| 243 | Mounting bracket triple size 152mm m. centres for 788 3 gang series x | EA | \$9.42 | \$0.94 | 20 | 120 |
| | Round brackets | | | | | |
| 143U | Mounting bracket stud mount universal with captive nail metal | EA | \$2.23 | \$0.22 | 10 | 120 |
| | Clips | | | | | |
| | Mounting clips for plasterboard | | | | | |
| 711 | Mounting clips for 6.4mm plasterboard 50x76mm max cut-out | EA | \$2.07 | \$0.21 | 50 | 600 |
| 712 | Mounting clips for 10mm plasterboard 50x76mm max cut-out | EA | \$1.84 | \$0.18 | 50 | 600 |
| 716 | Mounting clips for 6.4mm plasterboard 30x40mm max cut-out | EA | \$7.05 | \$0.70 | 20 | 240 |
| | Mounting clips for Architectural MS series | | | | | |
| 719/1 | Mounting bracket small size | EA | \$8.48 | \$0.85 | - | - |
| 717/1 | Mounting bracket large size | EA | \$9.30 | \$0.93 | - | 200 |
| 718/8 | Plaster gauge 8mm deep suits 429 & 954 boxes | EA | \$9.46 | \$0.95 | 20 | 120 |
| 718/13 | Plaster gauge reusable 13mm deep suits 429 & 953 boxes | EA | \$9.46 | \$0.95 | 20 | 240 |
| 719 | Flush mount assembly to suit plasterboard/wallboard | EA | \$26.65 | \$2.66 | 10 | - |

Accessories

Installation accessories



429R



425S2



435



74703WE



74703BL

| Cat.Nos | | UoM | Trade price \$ | GST \$ | Box qty | Carton qty |
|---|--|-----|----------------|--------|---------|------------|
| Wall boxes | | | | | | |
| Standard wall boxes | | | | | | |
| 429R | Wall box with sliding nuts, retent. clips & cover 97x60x45mm black | EA | \$14.57 | \$1.46 | 10 | 140 |
| Double size wall boxes | | | | | | |
| 429/2 | Wall box double size 84mm m. centres segregated 2 gang 97x60x45mm black | EA | \$33.10 | \$3.31 | 4 | 56 |
| Triple size wall boxes | | | | | | |
| 326 | Wall box triple size 152mm m. centres 165x70x45mm metal | EA | \$50.97 | \$5.10 | - | 10 |
| Wall boxes - Fire -/120/120 and acoustic rated - for 5-30mm plasterboard | | | | | | |
| 435 | Wall box 99x57x48mm metal black | EA | \$41.06 | \$4.11 | - | 60 |
| 435/2 | Wall box with intumescent bridge for multi-gang 99x57x48mm plastic black | EA | \$48.64 | \$4.86 | - | 60 |
| Plastic Shrouds | | | | | | |
| 749 | Shroud for 770 series round mech. 45mm long with 13mm ² cable entry | EA | \$2.67 | \$0.27 | 10 | - |
| 749S | Shroud for 770 series round mechanism | EA | \$4.93 | \$0.49 | - | - |
| 751 | Shroud for openings 53x73x51mm | EA | \$6.69 | \$0.67 | 20 | 320 |
| 74703WE | Shroud for Multi & Esco 0.76mm thick panels white | EA | \$3.83 | \$0.38 | 10 | - |
| 74703BL | Shroud for Multi & Esco 0.76mm thick panels black | EA | \$3.83 | \$0.38 | 10 | - |
| 74704WE | Shroud for Multi & Esco 1mm thick panels white | EA | \$3.83 | \$0.38 | 10 | - |
| 74704BL | Shroud for Multi & Esco 1mm thick panels black | EA | \$3.83 | \$0.38 | 10 | - |
| 74705WE | Shroud for Multi & Esco 1.3mm thick panels white | EA | \$3.83 | \$0.38 | 10 | - |
| 74705BL | Shroud for Multi & Esco 1.3mm thick panels black | EA | \$3.83 | \$0.38 | 10 | - |
| 74706WE | Shroud for Multi & Esco 1.5mm thick panels white | EA | \$3.83 | \$0.38 | 10 | - |
| 74706BL | Shroud for Multi & Esco 1.5mm thick panels black | EA | \$3.83 | \$0.38 | 10 | - |

Accessories

Installation accessories



140WE



EA140UG



150WE

| Cat.Nos | Mounting blocks for Excel and Excel Life ranges | UoM | Trade price \$ | GST \$ | Box qty | Carton qty |
|---------|--|-----|----------------|--------|---------|------------|
| | Deep surface mounting blocks | | | | | |
| 140WE | Mounting block 37mm deep for switches & GPOs white | EA | \$4.37 | \$0.44 | 10 | 180 |
| EA140UG | Mounting block 37mm deep for switches & GPOs urban grey | EA | \$7.49 | \$0.75 | 10 | 180 |
| 140BL | Mounting block 37mm deep for switches & GPOs black | EA | \$4.95 | \$0.50 | 10 | 180 |
| 140CR | Mounting block 37mm deep for switches & GPOs cream | EA | \$4.95 | \$0.50 | 10 | 180 |
| | Double & triple mounting blocks for Standard range | | | | | |
| 139WE | Mounting block for 3 gang GPOs or 798 shaver outlets 92x191x29mm white | EA | \$24.15 | \$2.42 | 5 | - |
| 139BR | Mounting block for 3 gang GPOs or 798 shaver outlets 92x191x29mm brown | EA | \$24.15 | \$2.42 | 5 | - |
| 139BWE | Spacer plate for 139 mounting blocks 92x191x29mm white | EA | \$10.98 | \$1.10 | 5 | - |
| 148WE | Mounting block for 2x standard size plates 70x114x84mm white | EA | \$21.20 | \$2.12 | 5 | - |
| | Surface mounting blocks for narrow plates | | | | | |
| 150WE | Mounting block for narrow plates 78mm m. centres 52x150x24mm white | EA | \$11.11 | \$1.11 | 10 | - |
| 150BL | Mounting block for narrow plates 78mm m. centres 52x150x24mm black | EA | \$11.11 | \$1.11 | 10 | - |
| 150CR | Mounting block for narrow plates 78mm m. centres 52x150x24mm cream | EA | \$11.11 | \$1.11 | 10 | - |
| 192WE | Mounting block for narrow plates 792 & 792B series 52x162x24mm white | EA | \$9.86 | \$0.99 | 5 | - |
| 192BL | Mounting block for narrow plates 792 & 792B series 52x162x24mm black | EA | \$9.86 | \$0.99 | 5 | - |
| | Square plate mounting block | | | | | |
| 149WE | Mounting block for square plates 122x122x38mm white | EA | \$23.88 | \$2.39 | 5 | 90 |
| 149BL | Mounting block for square plates 122x122x38mm black | EA | \$23.88 | \$2.39 | 5 | 90 |
| 149CR | Mounting block for square plates 122x122x38mm cream | EA | \$23.88 | \$2.39 | 5 | 90 |



New product



Energy Saving products



More info available.
See technical pages



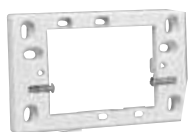
Coming soon



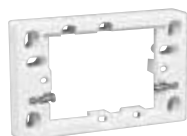
Product to be discontinued

Accessories

Installation accessories



137WE



137DWE



137/1WE



137H3WE

| Cat.Nos | Mounting blocks | UoM | Trade price \$ | GST \$ | Box qty | Carton qty |
|--|---|-----|----------------|--------|---------|------------|
| Surface mounting blocks and spacers | | | | | | |
| 137WE | Mounting block for GPOs 84mm m. centres 13mm deep white | EA | \$6.17 | \$0.62 | 10 | 350 |
| 137BL | Mounting block for GPOs 84mm m. centres 13mm deep black | EA | \$6.52 | \$0.65 | 10 | 350 |
| 137CR | Mounting block for GPOs 84mm m. centres 13mm deep cream | EA | \$6.52 | \$0.65 | 10 | 350 |
| 137DWE | Mounting block for GPOs 84mm m. centres 18mm deep white | EA | \$5.53 | \$0.55 | 10 | 270 |
| 137DBL | Mounting block for GPOs 84mm m. centres 18mm deep black | EA | \$5.84 | \$0.58 | 10 | 270 |
| 137DCR | Mounting block for GPOs 84mm m. centres 18mm deep cream | EA | \$5.84 | \$0.58 | 10 | 270 |
| 138WE | Spacer for 140 series double insulated rear base 80.5x125x8.5mm white | EA | \$6.33 | \$0.63 | 10 | 200 |
| 138BL | Spacer for 140 series double insulated rear base 80.5x125x8.5mm black | EA | \$6.33 | \$0.63 | 10 | 200 |
| 137H3WE | Mounting block horizontal mount for columns Ø300mm white | EA | \$12.16 | \$1.22 | 10 | - |
| 137H4WE | Mounting block horizontal mount for columns Ø400mm white | EA | \$12.16 | \$1.22 | 10 | - |
| 137H5WE | Mounting block horizontal mount for columns Ø500mm white | EA | \$12.16 | \$1.22 | 10 | - |
| 137H6WE | Mounting block horizontal mount for columns Ø600mm white | EA | \$12.16 | \$1.22 | 10 | - |
| 137H8WE | Mounting block horizontal mount for columns Ø800mm white | EA | \$12.16 | \$1.22 | 10 | - |
| 137HS3WE | Spacer horizontal mount for columns Ø300mm white | EA | \$12.01 | \$1.20 | 10 | - |
| 137HS4WE | Spacer horizontal mount for columns Ø400mm white | EA | \$12.01 | \$1.20 | 10 | - |
| 137HS5WE | Spacer horizontal mount for columns Ø500mm white | EA | \$12.01 | \$1.20 | 10 | - |
| 137HS6WE | Spacer horizontal mount for columns Ø600mm white | EA | \$12.01 | \$1.20 | 10 | - |
| 137HS8WE | Spacer horizontal mount for columns Ø800mm white | EA | \$12.01 | \$1.20 | 10 | - |
| 137V3WE | Mounting block vertical mount 16 mm deep for columns Ø300mm white | EA | \$12.16 | \$1.22 | 10 | - |
| 137V4WE | Mounting block vertical mount 16 mm deep for columns Ø400mm white | EA | \$12.16 | \$1.22 | 10 | - |
| 137V5WE | Mounting block vertical mount 16 mm deep for columns Ø500mm white | EA | \$12.16 | \$1.22 | 10 | - |
| 137V6WE | Mounting block vertical mount 16 mm deep for columns Ø600mm white | EA | \$12.16 | \$1.22 | 10 | - |
| 137V8WE | Mounting block vertical mount 16 mm deep for columns Ø800mm white | EA | \$12.16 | \$1.22 | 10 | - |
| 137VS3WE | Spacer vertical mount 16mm deep for columns Ø300mm white | EA | \$12.01 | \$1.20 | 10 | - |
| 137VS4WE | Spacer vertical mount 16mm deep for columns Ø400mm white | EA | \$12.01 | \$1.20 | 10 | - |
| 137VS5WE | Spacer vertical mount 16mm deep for columns Ø500mm white | EA | \$12.01 | \$1.20 | 10 | - |
| 137VS6WE | Spacer vertical mount 16mm deep for columns Ø600mm white | EA | \$12.01 | \$1.20 | 10 | - |
| 137VS8WE | Spacer vertical mount 16mm deep for columns Ø800mm white | EA | \$12.01 | \$1.20 | 10 | - |
| Surface mounting blocks for 4 gang powerpoints and square plate | | | | | | |
| 137/1WE | Mounting block 16mm deep for 4 gang powerpoints white | EA | \$14.52 | \$1.45 | 10 | 160 |
| 137/1BL | Mounting block 16mm deep for 4 gang powerpoints black | EA | \$15.24 | \$1.52 | 10 | 160 |



New product



Energy Saving products



More info available.
See technical pages



Coming soon



Product to be discontinued

Whilst most items are stock lines some products are made to order. UoM = Unit Of Measure.
Prices are effective 1 June 2017 and are subject to change without notice. Trade prices exclude GST.

Accessories

Installation accessories



141WE



156WE



239WE



404



413

| Cat.Nos | | UoM | Trade price \$ | GST \$ | Box qty | Carton qty |
|----------|--|-----|----------------|--------|---------|------------|
| | Mounting blocks | | | | | |
| | Mounting blocks - chemical resistant | | | | | |
| 137DCHWE | Mounting block 18mm deep for switches & GPOs white | EA | \$13.60 | \$1.36 | 10 | 300 |
| 140CHWE | Mounting block 37mm deep for switches, GPOs and electronic modules white | EA | \$13.45 | \$1.34 | 10 | 180 |
| | Surface mounting blocks - architrave size | | | | | |
| 141WE | Mounting block for 1 gang architrave 57mm 74x28x25mm white | EA | \$7.36 | \$0.74 | 10 | - |
| 141BL | Mounting block for 1 gang architrave 57mm 74x28x25mm black | EA | \$7.36 | \$0.74 | 10 | - |
| 156WE | Mounting block for 2 gang architrave 70mm 86x36x26mm white | EA | \$13.21 | \$1.32 | 10 | 200 |
| 156BL | Mounting block for 2 gang architrave 70mm 86x36x26mm black | EA | \$12.72 | \$1.27 | 10 | 200 |
| | Weatherproof mounting blocks | | | | | |
| 239WE | Mounting block for switches & GPOs weatherproof IP56 120x75x44mm white | EA | \$10.25 | \$1.02 | 8 | 80 |
| 239BL | Mounting block for switches & GPOs weatherproof IP56 120x75x44mm black | EA | \$10.25 | \$1.02 | 8 | 80 |
| WS44B | Mounting block for WS44 series weatherproof IP53 83x83x39mm white | EA | \$16.79 | \$1.68 | 1 | 30 |
| | Weatherproof surface mounting bases | | | | | |
| 170 | Mounting block for WS40 series weatherproof IP53 83x83x39mm grey | EA | \$14.31 | \$1.43 | 5 | - |
| | Junction boxes | | | | | |
| 404 | Junction box with 4 x 40A connectors (3x1+1x2 screws) 68x68x38mm white | EA | \$6.65 | \$0.66 | 10 | 200 |
| 405 | Junction box without connectors 68x89x44mm white | EA | \$6.93 | \$0.69 | 10 | 140 |
| 406 | Junction box with 4 x 50A connectors (3x1+1x2 screws) 68x89x44mm white | EA | \$6.61 | \$0.66 | 10 | 140 |
| 413 | Junction box with 3 terminals 6mm 30A 37x68x22mm white | EA | \$10.76 | \$1.08 | 10 | 450 |
| 413S | Junction box with 3 terminals 6mm 30A & cord grip entry 37x78x22mm | EA | \$14.60 | \$1.46 | 10 | 450 |
| 413LA | Terminal box enclosed for use by telecommunication providers 37x68x22mm | EA | \$21.71 | \$2.17 | 10 | 450 |
| J170 | Junction box wproof with 4 x 40A connectors (3x1+1x2 screws) 83x83x65mm | EA | \$27.63 | \$2.76 | 5 | 60 |

Accessories

Installation accessories



DQ005



DQ105



DQ006



DQ007

| Cat.Nos | Cable clips | UoM | Trade price \$ | GST \$ | Box qty | Carton qty |
|-------------------|---|-----|----------------|--------|---------|------------|
| Round type | | | | | | |
| DQ003 | Cable clips round 6mm white pk of 20 | PK | \$3.82 | \$0.38 | 10 | 200 |
| DQ004 | Cable clips round 6mm black pk of 20 | PK | \$4.21 | \$0.42 | 10 | 200 |
| DQ009 | Cable clips round 10mm white pk of 20 | PK | \$4.96 | \$0.50 | 10 | 200 |
| DQ109 | Cable clips round 10mm white pk of 100 | PK | \$4.96 | \$0.50 | 5 | 50 |
| Flat type | | | | | | |
| CL3B | Cable clips flat 13mm with captive set nail pk of 500 | PK | \$30.58 | \$3.06 | - | 8 |
| CL4B | Cable clips flat 15mm with captive set nail pk of 500 | PK | \$36.88 | \$3.69 | - | 8 |
| DQ001 | Cable clips flat 5mm white pk of 20 | PK | \$3.82 | \$0.38 | 10 | 200 |
| DQ002 | Cable clips flat 5mm black pk of 20 | PK | \$4.21 | \$0.42 | 10 | 200 |
| DQ005 | Cable clips flat 7mm white pk of 20 | PK | \$3.97 | \$0.40 | 10 | 200 |
| DQ006 | Cable clips flat 7mm black pk of 20 | PK | \$4.39 | \$0.44 | 10 | 200 |
| DQ010 | Cable clips flat 13mm white pk of 20 | PK | \$5.08 | \$0.51 | 10 | 200 |
| DQ011 | Cable clips flat 15mm white pk of 20 | PK | \$5.23 | \$0.52 | 10 | 200 |
| DQ105 | Cable clips flat 7mm white pk of 100 | PK | \$7.20 | \$0.72 | 5 | 50 |
| DQ110 | Cable clips flat 13mm white pk of 100 | PK | \$9.53 | \$0.95 | 5 | 50 |
| DQ111 | Cable clips flat 15mm white pk of 100 | PK | \$11.52 | \$1.15 | 5 | 50 |
| DQ201 | Cable clips flat 5mm white pk of 200 | PK | \$10.44 | \$1.04 | 5 | 50 |
| Hook type | | | | | | |
| DQ007 | Cable clips hook 8-10mm white pk of 20 | PK | \$5.00 | \$0.50 | 10 | 200 |
| DQ008 | Cable clips hook 8-10mm black pk of 20 | PK | \$5.43 | \$0.54 | 10 | 200 |
| DQ107 | Cable clips hook 8-10mm white pk of 100 | PK | \$9.18 | \$0.92 | 5 | 50 |
| DQ108 | Cable clips hook 8-10mm black pk of 100 | PK | \$11.01 | \$1.10 | 5 | 50 |



New product



Energy Saving products



More info available.
See technical pages



Coming soon



Product to be discontinued

Whilst most items are stock lines some products are made to order. UoM = Unit Of Measure.
Prices are effective 1 June 2017 and are subject to change without notice. Trade prices exclude GST.

Accessories

General mounting accessories



800WE



401



402



D35P6



34211



34219

| Cat.Nos | Screws | UoM | Trade price \$ | GST \$ | Box qty | Carton qty |
|---------------------------------------|---|-----|----------------|---------|---------|------------|
| 246 | Screws 76mm 6-32 thread nickel plated/florentine bronze | EA | \$0.42 | \$0.04 | 100 | - |
| 247 | Screws 51mm 6-32 thread nickel plated/florentine bronze | EA | \$0.29 | \$0.03 | 100 | - |
| 248 | Screws 32mm 6-32 thread nickel plated/florentine bronze | EA | \$0.29 | \$0.03 | 100 | - |
| Identification products | | | | | | |
| 800WE | Blanking insert for all 700 series plates white | EA | \$1.62 | \$0.16 | 50 | - |
| 800ID | Insert engraved "Not safety switch protected" for all 700 series plates | EA | \$4.46 | \$0.45 | 50 | - |
| 800/2CL | Blanking insert for all 700 series switch plates clear cap | EA | \$2.27 | \$0.23 | 50 | - |
| 800/2CL1 | Die cut labels for 800/2CL | EA | \$10.55 | \$1.06 | 50 | - |
| 800/2CL3WE | Blank die cut paper for 800/2CL2 white pk of 10 sheets | EA | \$16.01 | \$1.60 | 50 | - |
| 800/2CL3BU | Blank die cut paper for 800/2CL2 blue pk of 10 sheets | EA | \$16.01 | \$1.60 | 50 | - |
| 800/2WE | Blanking insert for all 700 series plates opaque cap | EA | \$2.08 | \$0.21 | 50 | - |
| 800LH | Blanking insert with hole for potentiometer for all 700 series plates | EA | \$1.79 | \$0.18 | 10 | - |
| Insulated and earth connectors | | | | | | |
| 401 | Connector heavy-duty 40A 1 screw 6mm hole clear | EA | \$1.04 | \$0.10 | 100 | 4500 |
| 401/1 | Connector heavy-duty 40A 1 screw 6mm hole clear stack pk of 100 | PK | \$98.02 | \$9.80 | - | 32 |
| 401J | Connector heavy-duty 40A 1 screw 6mm hole clear jar of 100 | PK | \$85.06 | \$8.51 | - | 32 |
| 401L | Connector heavy-duty 50A 1 screw 6.6mm hole blue tinted | EA | \$1.26 | \$0.13 | 100 | 4500 |
| 402 | Connector heavy-duty 40A 2 screws 6mm hole clear | EA | \$1.24 | \$0.12 | 50 | 2500 |
| 402/1 | Connector heavy-duty 40A 2 screws 6mm hole clear stack pk of 100 | PK | \$69.02 | \$6.90 | - | 32 |
| D35P6 | Terminal block connector strip 6 way white | EA | \$7.98 | \$0.80 | 10 | 240 |
| R401B | Connector heavy-duty 40A 1 screw 6mm hole clear box of 100 | PK | \$123.55 | \$12.36 | 50 | - |
| R402B | Connector heavy-duty 40A 2 screws 6mm hole clear box of 100 | PK | \$74.02 | \$7.40 | 50 | - |
| Terminal strips | | | | | | |
| 34211 | Terminal strips 12 sections 2.5mm ² polypropylene black 24A I _{max} | EA | \$9.10 | \$0.91 | 10 | 500 |
| 34213 | Terminal strips 12 sections 6mm ² polypropylene black 41A I _{max} | EA | \$11.79 | \$1.18 | 10 | 250 |
| 34215 | Terminal strips 12 sections 10mm ² polypropylene black 57A I _{max} | EA | \$15.28 | \$1.53 | 10 | 200 |
| 34217 | Terminal strips 12 sections 16mm ² polypropylene black 76A I _{max} | EA | \$24.85 | \$2.48 | 10 | 100 |
| 34219 | Terminal strips 12 sections 25mm ² polypropylene black 101A I _{max} | EA | \$37.74 | \$3.77 | 10 | 50 |



New product



Energy Saving products

More info available.
See technical pages

Coming soon



Product to be discontinued

General wiring accessories

Plug tops and plug bases



100LWE



106/3WE



37CL



38WE



33WE

| Cat.Nos | | UoM | Trade price \$ | GST \$ | Box qty | Carton qty |
|---------|--|-----|----------------|---------|---------|------------|
| | Plug tops | | | | | |
| | 10A plug tops | | | | | |
| 100LWE | Plug top flexible PVC cover with cord locking nut 3 flat pins white ✕ | EA | \$6.14 | \$0.61 | 10 | 200 |
| 100LCL | Plug top flexible PVC cover with cord locking nut 3 flat pins clear | EA | \$6.14 | \$0.61 | 10 | 200 |
| 106/1WE | Plug top low profile side entry 3 flat pins white | EA | \$6.78 | \$0.68 | 10 | 200 |
| 106/1BL | Plug top low profile side entry 3 flat pins black | EA | \$6.78 | \$0.68 | 10 | 200 |
| 106/2WE | Plug top slim side entry 3 flat pins white suits 15A hd flex. cord | EA | \$7.00 | \$0.70 | 10 | 200 |
| 106/6WE | Plug top low profile side entry flat A&N/round earth white | EA | \$11.13 | \$1.11 | 10 | 200 |
| 106/7WE | Plug top low profile side entry round A&N/flat earth white | EA | \$12.30 | \$1.23 | 10 | 200 |
| 90BL | Plug top finger grip rigid impact resistant 3 flat pins black | EA | \$6.33 | \$0.63 | 10 | 200 |
| 94WE | Plug top finger grip rigid impact resistant moulding 4 pins white | EA | \$14.52 | \$1.45 | 10 | 200 |
| | 15A plug tops | | | | | |
| 106/3WE | Plug top low profile side entry 3 flat pins white | EA | \$9.99 | \$1.00 | 10 | 200 |
| 90/15WE | Plug top finger grip rigid impact resistant 3 flat pins white | EA | \$8.75 | \$0.88 | 10 | 200 |
| | 20A plug tops | | | | | |
| 106/4WE | Plug top low profile side entry 3 flat pins white | EA | \$18.57 | \$1.86 | 10 | 200 |
| 90/20WE | Plug top finger grip rigid impact resistant 3 flat pins white | EA | \$19.61 | \$1.96 | 10 | 200 |
| | 25A plug tops | | | | | |
| 106/5WE | Plug top low profile side entry flat A&N/ L shape earth white | EA | \$22.07 | \$2.21 | 10 | 200 |
| 90/25WE | Plug top finger grip rigid impact resistant flat A&N/ L shape earth white | EA | \$22.92 | \$2.29 | 10 | 200 |
| | 32A plug tops | | | | | |
| 106/8WE | Plug top low profile side entry flat A&N/U shape earth white | EA | \$24.09 | \$2.41 | 10 | 200 |
| | Safety switch | | | | | |
| D5100 | Plug top safety switch | EA | \$130.64 | \$13.06 | 5 | 50 |
| D5101 | Plug Top safety switch with 1.6m lead N | EA | \$151.12 | \$15.11 | 5 | 50 |
| | Plug bases | | | | | |
| | 10A plug bases | | | | | |
| 37CL | Plug base single surface mount 3 flat pins 50mm m. centres clear | EA | \$9.31 | \$0.93 | 10 | 100 |
| 37BL | Plug base single surface mount 3 flat pins 50mm m. centres black | EA | \$10.93 | \$1.09 | 10 | 200 |
| 37RCL | Plug base single surface mount flat A&N round earth 50mm m. centres clear | EA | \$21.22 | \$2.12 | 10 | 100 |
| 38WE | Plug base single flush mount 3 flat pins for 2.5mm panels white | EA | \$15.57 | \$1.56 | 10 | 200 |
| 38A0BL | Plug base single flush mount 3 flat pins for 1mm panels black | EA | \$13.83 | \$1.38 | 10 | 200 |
| 33WE | Plug base single surface mount 4 flat pins 50mm m. centres white | EA | \$19.26 | \$1.93 | 10 | 200 |



New product



Energy Saving products

More info available.
See technical pages

Coming soon



Product to be discontinued

Whilst most items are stock lines some products are made to order. UoM = Unit Of Measure.
Prices are effective 1 June 2017 and are subject to change without notice. Trade prices exclude GST.

General wiring accessories

Plug tops and plug bases



35WE



35BL



38/1WE



CD1002

| Cat.Nos | Plug bases | UoM | Trade price \$ | GST \$ | Box qty | Carton qty |
|--|--|-----|----------------|--------|---------|------------|
| 10A plug bases | | | | | | |
| 37/2CL | Plug base double surface mount 3 flat pins 84mm m. centres clear | EA | \$20.62 | \$2.06 | 5 | 50 |
| 38BL | Plug base single flush mount 3 flat pins for 2.5mm panels black | EA | \$15.57 | \$1.56 | 10 | 200 |
| 38A0WE | Plug base single flush mount 3 flat pins for 1mm panels white | EA | \$13.83 | \$1.38 | 10 | 200 |
| 38A1WE | Plug base single flush mount 3 flat pins for 1.2mm panels white | EA | \$13.83 | \$1.38 | 10 | 200 |
| 38RWE | Plug base single flush mount flat A&N/round earth for 2.5mm panels white | EA | \$24.02 | \$2.40 | 10 | 200 |
| 35WE | Plug base single surface mount 3 flat pins white | EA | \$23.67 | \$2.37 | 10 | 200 |
| 35BL | Plug base single surface mount 3 flat pins black | EA | \$23.67 | \$2.37 | 10 | 200 |
| 38A1BL | Plug base single flush mount 3 flat pins for 1.2mm panels black | EA | \$13.83 | \$1.38 | 10 | 200 |
| 33B | Snap-on base plate for 33 series plug bases | EA | \$1.47 | \$0.15 | 10 | 200 |
| 34BCL | Snap-on base plate for 34 series plug bases clear | EA | \$3.65 | \$0.36 | 10 | 200 |
| 37B | Snap-on base plate for 37 series plug bases | EA | \$2.21 | \$0.22 | 10 | 200 |
| 15A plug bases | | | | | | |
| 37/15CL | Plug base single surface mount 3 flat pins 50mm m. centres clear | EA | \$22.17 | \$2.22 | 10 | 100 |
| 38/15WE | Plug base single flush mount 3 flat pins for 2.5mm panels white | EA | \$24.86 | \$2.49 | 10 | - |
| 38/15BL | Plug base single flush mount 3 flat pins for 2.5mm panels black | EA | \$24.86 | \$2.49 | 10 | - |
| 20A plug bases | | | | | | |
| 38/20WE | Plug base single flush mount 3 flat pins for 2.5mm panels white | EA | \$25.72 | \$2.57 | 10 | 200 |
| 25A plug bases | | | | | | |
| 38/25WE | Plug base single flush mount flat A&N/L earth for 2.5mm panels white | EA | \$31.30 | \$3.13 | 10 | 200 |
| 10A panel or flush mounted plug bases | | | | | | |
| 38/2RWE | Plug base single flush mount flat A&N/round earth for 2.5mm panels white | EA | \$27.96 | \$2.80 | 10 | 200 |
| 38A3WE | Plug base single flush mount 3 flat pins for 1.6mm panels white | EA | \$13.83 | \$1.38 | 10 | 200 |
| 38A3BL | Plug base single flush mount 3 flat pins for 1.6mm panels black | EA | \$13.83 | \$1.38 | 10 | 200 |
| Plug base and plate assemblies | | | | | | |
| 38/1WE | Plug base & plate single surface mount 3 flat pins 95mm m. centres white | EA | \$20.08 | \$2.01 | 10 | - |
| Safety plugs | | | | | | |
| CD1002 | Safety plug 3 pins pk of 6 | PK | \$8.89 | \$0.89 | 10 | 200 |
| D1002/1 | Safety plug slimline 3 pins pk of 12 | PK | \$8.85 | \$0.88 | 10 | 200 |

Mobile products

Powerboards



D105/5TRPACC



D105MS4WE



D104WE



D104PACC



D104PAUSBWE



D105PAUSBWE

| Cat.Nos | | UoM | Trade price \$ | GST \$ | Box qty | Carton qty |
|--|---|-----|----------------|---------|---------|------------|
| Standard 10A 2400W | | | | | | |
| R105 | 4 outlets white overload protection 0.9m lead | EA | \$14.60 | \$1.46 | 10 | 50 |
| D105/1 | 4 outlets white overload protection 1.8m lead | EA | \$21.45 | \$2.14 | 5 | 45 |
| D105/4TR | 4 outlets white overload protection 0.9m lead transf. space | EA | \$17.94 | \$1.79 | 8 | 32 |
| D105/4TRPA | 4 outlets white overload protection 0.9m lead 150J surge transf. space | EA | \$27.09 | \$2.71 | 8 | 32 |
| D105/5TRPA | 5 outlets white overload protection 1.8m lead 150J surge transf. space | EA | \$47.37 | \$4.74 | 5 | 30 |
| D105/5TRPACC | 5 outlets charcoal overload protection 1.8m lead 525J surge transf. space | EA | \$45.98 | \$4.60 | 5 | 30 |
| R105/6 | 6 outlets white overload protection 0.9m lead | EA | \$19.70 | \$1.97 | 10 | 50 |
| R105/6TWIN | 6 outlets white overload protection 0.9m lead twin pack | EA | \$30.77 | \$3.08 | 5 | 20 |
| D105PA6 | 6 outlets white overload protection 0.9m lead 150J surge | EA | \$41.86 | \$4.19 | 5 | 30 |
| D105PA6CC | 6 outlets charcoal overload protection 0.9m lead 150J surge | EA | \$37.94 | \$3.79 | 4 | 32 |
| D105PA8 | 8 outlets white overload protection 0.9m lead 150J surge | EA | \$37.26 | \$3.73 | 5 | 25 |
| D105PA8CC | 8 outlets charcoal overload protection 0.9m lead 150J surge | EA | \$39.00 | \$3.90 | 5 | 25 |
| Master switch 10A 2400W | | | | | | |
| D105MS4WE | 4 outlets white overload protection 3m lead 375 surge | EA | \$40.44 | \$4.04 | 5 | 20 |
| D105MS6WE | 6 outlets white overload protection 3m lead 375 surge | EA | \$43.81 | \$4.38 | 5 | 20 |
| D105MS6RJWE | 6 outlets white RJ 11 protection overload protection 3m lead 375 surge | EA | \$47.18 | \$4.72 | 5 | 20 |
| Individual switched outlets 10A 2400W | | | | | | |
| D104WE | 4 outlets white overload protection 0.9m lead | EA | \$53.10 | \$5.31 | 3 | 18 |
| D104PAWE | 4 outlets white overload protection 1.8m lead 175J surge | EA | \$106.46 | \$10.65 | 3 | 18 |
| D104PACC | 4 outlets charcoal overload protection 3m lead 525J surge | EA | \$103.37 | \$10.34 | 3 | 18 |
| D104PA6 | 6 outlets white overload protection 1.8m lead 175J surge | EA | \$102.37 | \$10.24 | 5 | 20 |
| USB chargers 10A 2400W | | | | | | |
| D104PAUSBWE | 4 outlets white overload protection 1.8m lead 525J surge 2 x 2.4A USB | EA | \$99.97 | \$10.00 | 4 | 24 |
| D105PAUSBWE | 4 outlets white overload protect 1.5m lead 175J surge 2.4A total USB | EA | \$50.55 | \$5.06 | 6 | 36 |
| TV & AV 10A 2400W | | | | | | |
| D105TVAV4BL | 4 outlets black overload protection 2m lead 875J surge | EA | \$71.90 | \$7.19 | 6 | 20 |
| D105TVAV6BL | 6 outlets black overload protection 3m lead 2800J surge | EA | \$87.53 | \$8.75 | 4 | 16 |
| D105TVAV8BL | 6 outlets black overload protection 3m lead 3150J surge | EA | \$103.16 | \$10.32 | 4 | 12 |
| D105/12TRPA | 12 outlets white overload protection 1.8m lead 150J surge | EA | \$79.06 | \$7.91 | 8 | 16 |
| D105/12TRPPCC | 12 outlets charcoal overload protection 1.8m lead 150J surge | EA | \$88.58 | \$8.86 | 8 | 16 |



New product



Energy Saving products



More info available.
See technical pages



Coming soon



Product to be discontinued

Whilst most items are stock lines some products are made to order. UoM = Unit Of Measure.
Prices are effective 1 June 2017 and are subject to change without notice. Trade prices exclude GST.

Mobile products

Powerboards



D105SSPA4



D105POD4



D105PBOSSPA4



D105PBOSSPA8



REPC410USB



REPC11015

| Cat.Nos | | UoM | Trade price \$ | GST \$ | Box qty | Carton qty |
|--------------------------------------|---|-----|----------------|---------|---------|------------|
| Child-safe 10A 2400W | | | | | | |
| D105SSPA4 | 4 outlets white overload protection 0.9m lead 150J surge | EA | \$31.09 | \$3.11 | 4 | 40 |
| D105POD4 | 4 outlets white overload protection 1.8m lead 900J surge | EA | \$31.04 | \$3.10 | 3 | 18 |
| D105POD6 | 6 outlets white overload protection 1.8m lead 900J surge | EA | \$38.87 | \$3.89 | 3 | 18 |
| Plugboss heavy duty 10A 2400W | | | | | | |
| D105PBOSSPA4 | 4 outlets yellow/black overload protection 3.0m lead 900J surge | EA | \$44.47 | \$4.45 | 5 | 20 |
| D105PBOSS5 | 5 outlets yellow/black overload protection 1.8m lead | EA | \$45.59 | \$4.56 | 5 | 20 |
| D105PBOSSPA6 | 6 outlets yellow/black overload protection 3.0m lead 350J surge | EA | \$70.13 | \$7.01 | 4 | 12 |
| D105PBOSSPA8 | 8 outlets yellow/black overload protection RCD protect 3.0m lead 350J surge | EA | \$147.51 | \$14.75 | 4 | 12 |
| Worksite portable powercentre | | | | | | |
| 10A 2400W | | | | | | |
| REPC410 | 4 outlets IP33 orange RCBO protection 1.8m lead | EA | \$256.92 | \$25.69 | - | 9 |
| REPC410USB | 4 outlets IP33 orange RCBO protect. 1.8m lead 2 x 2.4A USB | EA | \$255.51 | \$25.55 | - | 9 |
| 15A 3600W | | | | | | |
| REPC415 | 4 outlets IP33 orange RCBO protection 1.8m lead | EA | \$335.34 | \$33.53 | - | 9 |
| Power adaptor | | | | | | |
| REPC11015 | 15A to 10A IP33 charcoal 1.8m lead RCBO protect ideal for caravans | EA | \$248.86 | \$24.89 | - | 9 |

Mobile products

Household extension leads



| Cat.Nos | Household duty 10A 2400W | UoM | Trade price \$ | GST \$ | Box qty | Carton qty |
|---------|---|-----|----------------|--------|---------|------------|
| | Standard | | | | | |
| R2702 | 2m lead white 3 core 1.0mm ² | EA | \$15.52 | \$1.55 | 10 | 40 |
| R2703 | 3m lead white 3 core 1.0mm ² | EA | \$18.52 | \$1.85 | 10 | 40 |
| R2705 | 5m lead white 3 core 1.0mm ² | EA | \$20.79 | \$2.08 | 5 | 25 |
| R2707 | 7m lead white 3 core 1.0mm ² | EA | \$22.91 | \$2.29 | 5 | 20 |
| R2710 | 10m lead white 3 core 1.0mm ² | EA | \$30.52 | \$3.05 | 5 | 15 |
| R2715 | 15m lead white 3 core 1.0mm ² | EA | \$39.42 | \$3.94 | 5 | 10 |
| R2720 | 20m lead white 3 core 1.0mm ² | EA | \$48.30 | \$4.83 | 4 | 8 |
| | Piggyback socket | | | | | |
| R2601 | 1m lead white 3 core 1.0mm ² | EA | \$13.62 | \$1.36 | 10 | 40 |
| R2602 | 2m lead white 3 core 1.0mm ² | EA | \$15.65 | \$1.56 | 10 | 40 |
| R2604 | 4m lead white 3 core 1.0mm ² | EA | \$20.98 | \$2.10 | 5 | 20 |
| R2606 | 6m lead white 3 core 1.0mm ² | EA | \$27.40 | \$2.74 | 5 | 20 |
| R2610 | 10m lead white 3 core 1.0mm ² | EA | \$35.18 | \$3.52 | 5 | 15 |
| | Entertainment | | | | | |
| R2702EB | 2m lead black 3 core 1.0mm ² | EA | \$17.77 | \$1.78 | 10 | 40 |
| R2703EB | 3m lead black 3 core 1.0mm ² | EA | \$20.66 | \$2.07 | 10 | 40 |
| R2705EB | 5m lead black 3 core 1.0mm ² | EA | \$22.83 | \$2.28 | 5 | 25 |
| | Garden heavy duty | | | | | |
| R2815GL | 15m lead yellow/green 3 core 1.0mm ² | EA | \$69.54 | \$6.95 | - | 5 |
| R2825GL | 25m lead yellow/green 3 core 1.0mm ² | EA | \$87.84 | \$8.78 | - | 5 |



New product



Energy Saving products



More info available.
See technical pages



Coming soon



Product to be discontinued

Whilst most items are stock lines some products are made to order. UoM = Unit Of Measure.
Prices are effective 1 June 2017 and are subject to change without notice. Trade prices exclude GST.

Mobile products

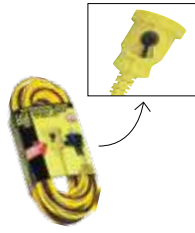
Heavy duty extension leads



R2820



R2825L



R2820PBL



R5102/1

| Cat.Nos | Heavy duty 10A 2400W | UoM | Trade price \$ | GST \$ | Box qty | Carton qty |
|----------|--|-----|----------------|---------|---------|------------|
| | Standard | | | | | |
| R2805 | 5m lead yellow 3 core 1.0mm ² | EA | \$26.85 | \$2.68 | - | 5 |
| R2810 | 10m lead yellow 3 core 1.0mm ² | EA | \$50.78 | \$5.08 | - | 5 |
| R2815 | 15m lead yellow 3 core 1.0mm ² | EA | \$66.01 | \$6.60 | - | 5 |
| R2820 | 20m lead yellow 3 core 1.0mm ² | EA | \$82.21 | \$8.22 | - | 5 |
| R2825 | 25m lead yellow 3 core 1.0mm ² | EA | \$98.35 | \$9.84 | - | 5 |
| | Locking socket | | | | | |
| R2810L | 10m lead yellow 3 core 1.0mm ² | EA | \$57.84 | \$5.78 | - | 5 |
| R2815L | 15m lead yellow 3 core 1.0mm ² | EA | \$75.31 | \$7.53 | - | 5 |
| R2820L | 20m lead yellow 3 core 1.0mm ² | EA | \$92.57 | \$9.26 | - | 5 |
| R2825L | 25m lead yellow 3 core 1.0mm ² | EA | \$109.78 | \$10.98 | - | 5 |
| | Plugboss locking socket | | | | | |
| R2810PBL | 10m lead yellow/black 3 core 1.0mm ² | EA | \$63.32 | \$6.33 | - | 5 |
| R2820PBL | 20m lead yellow/black 3 core 1.0mm ² | EA | \$98.63 | \$9.86 | - | 5 |
| | Heavy duty lead 10A 2400W with inline RCD | | | | | |
| R5102/1 | 2m lead IP66 RCD protection yellow 3 core 1.5mm ² | EA | \$191.09 | \$19.11 | 5 | 25 |



New product



Energy Saving products



More info available.
See technical pages



Coming soon



Product to be discontinued

Mobile products

Extra heavy duty extension leads and cable reels



R2910/15V



2920TL



R2920/15CV



CD107

| Cat.Nos | Extra heavy duty | UoM | Trade price \$ | GST \$ | Box qty | Carton qty |
|------------------------------|--|-----|----------------|---------|---------|------------|
| Caravan 15A 3600W | | | | | | |
| R2908/15 | 8m lead orange 3 core 1.5mm ² | EA | \$49.80 | \$4.98 | - | 5 |
| R2915/15CV | 15m lead orange 3 core 1.5mm ² | EA | \$79.05 | \$7.90 | - | 3 |
| R2920/15CV | 20m lead orange 3 core 1.5mm ² | EA | \$94.93 | \$9.49 | - | 3 |
| R2925/15CV | 25m lead orange 3 core 1.5mm ² | EA | \$110.80 | \$11.08 | - | 3 |
| Tradesman 10A 2400W | | | | | | |
| R2920 | 20m lead orange 3 core 1.5mm ² | EA | \$89.40 | \$8.94 | - | 5 |
| R2930 | 30m lead orange 3 core 1.5mm ² | EA | \$123.32 | \$12.33 | - | 3 |
| R2935 | 35m lead orange 3 core 1.5mm ² | EA | \$161.68 | \$16.17 | - | 3 |
| Accessories | | | | | | |
| CD107 | Cord locks for 3 pin plugs and extension sockets yellow | EA | \$7.20 | \$0.72 | 5 | 50 |
| RHH01 | Carry straps for leads and hoses up to 5kg orange | EA | \$8.47 | \$0.85 | 32 | 160 |
| Cable reels 10A 2400W | | | | | | |
| D105CR10ODS | 10m standard lead 4 outlets black 3 core 1.0mm ² | EA | \$64.52 | \$6.45 | - | 3 |
| D105CR20XDS | 20m extra heavy duty lead 4 outlets orange 3 core 1.5mm ² | EA | \$124.39 | \$12.44 | - | 3 |



New product



Energy Saving products



More info available.
See technical pages



Coming soon



Product to be discontinued

Whilst most items are stock lines some products are made to order. UoM = Unit Of Measure.
Prices are effective 1 June 2017 and are subject to change without notice. Trade prices exclude GST.

Mobile products

USB chargers and plug-in timers



D2USB



PS2USB



D4USB



(D810SLIM)
D810SLIMDP



D818OD



(D817SLIM)
D817SLIMDP

| Cat.Nos | USB chargers | UoM | Trade price \$ | GST \$ | Box qty | Carton qty |
|--|---|-----|----------------|--------|---------|------------|
| D2USB | Single adaptor with USB charger 10A socket 2x2.4A USB | EA | \$44.55 | \$4.46 | - | - |
| PS2USB | Twin USB charging station socket 2x2.4A USB | EA | \$44.55 | \$4.46 | - | - |
| PS5USB | 5 port USB charging station 7.2A total | EA | \$82.32 | \$7.48 | - | - |
| D2USB121 | World travel pack AUS/UK/USA/EUR socket 2x2.4A USB | EA | \$54.00 | \$5.40 | - | - |
| D4USB | 4 port world travel pack AUS/UK/USA/EUR 2x2.4A & 2x1A | EA | \$82.32 | \$8.23 | - | - |
| Analogue timers 10A 2400W | | | | | | |
| D818 | 24h 15min increments | EA | \$33.56 | \$3.36 | - | - |
| D818DP | NSW 24h 15min increments double pole† | EA | \$35.90 | \$3.59 | - | - |
| D809/1 | 24h 15min increments with offset | EA | \$13.62 | \$1.36 | - | - |
| D809/1DP | NSW 24h 15min increments with offset double pole | EA | \$16.90 | \$1.69 | - | - |
| D810/2 | 24h compact 15min increments | EA | \$23.41 | \$2.34 | - | - |
| D810/2DP | NSW 24h compact 15min increments double pole† | EA | \$25.90 | \$2.59 | - | - |
| D819/2 | 24h easy set override switch 15min increments | EA | \$21.83 | \$2.18 | - | - |
| D809/1TWIN | 24h twin pack 15min increments with offset | EA | \$21.64 | \$2.16 | - | - |
| D809/1TWIND | NSW 24h twin pack 15min increments with offset double pole | EA | \$24.90 | \$2.49 | - | - |
| D810SLIM | 24h slimline 30min increments | EA | \$27.32 | \$2.73 | - | - |
| D810SLIMDP | NSW 24h slimline 30min increments double-pole* | EA | \$27.32 | \$2.73 | - | - |
| D810SLIMTP | 24h slimline twin pack 30min increments | EA | \$33.15 | \$3.32 | - | - |
| D810SLIMTPDP | NSW 24h slimline twin pack 30min increments double-pole* | EA | \$34.90 | \$3.49 | - | - |
| Analogue outdoor timers 10A 2400W | | | | | | |
| D819/2DP | NSW 24h easy set override switch 15min increments double pole† | EA | \$24.90 | \$2.49 | - | - |
| D818ODDP | NSW 24h 30min increments analogue IP44 heavy duty M40 motor rating double-pole* | EA | \$37.90 | \$3.79 | - | - |
| Digital timers 10A 2400W | | | | | | |
| D817/2 | 7 day 1min increments up to 14 ON/OFF settings per day battery back up | EA | \$41.94 | \$4.19 | - | - |
| D817/2DP | NSW 7 day 1min increments up to 14 ON/OFF settings per day battery back up double-pole* | EA | \$43.90 | \$4.39 | - | - |
| D817SLIM | 7 day slimline 1min increments up to 16 ON/OFF settings per day battery back up | EA | \$49.08 | \$4.91 | - | - |
| D817SLIMDP | NSW 7 day slimline 1min increments up to 16 ON/OFF settings per day battery back up double-pole* | EA | \$49.90 | \$4.99 | - | - |
| D817SLIMTP | 7 day slim. twin pack 1min increments up to 16 ON/OFF settings per day battery back up | EA | \$85.13 | \$8.51 | - | - |
| D817SLIMTPDP | NSW 7 day slim. twin pack 1min increments up to 16 ON/OFF settings per day battery back up double-pole* | EA | \$83.90 | \$8.39 | - | - |

*Note

NSW Customers: Due to recent regulation changes, timers sold in NSW must be double-pole (Cat. Nos ending with DP).

Single-pole timers will not be sold to NSW customers.

† Availability November 2017



New product



Energy Saving products



More info available.
See technical pages



Coming soon



Product to be discontinued

Mobile products

Adaptors and others



D102WE



D2/2WE



D2PAB



D121



R1202

| Cat.Nos | Double adaptors 10A 2400W | UoM | Trade price \$ | GST \$ | Box qty | Carton qty |
|--|--|-----|----------------|--------|---------|------------|
| D102WE | Vertical white | EA | \$6.33 | \$0.63 | 10 | 240 |
| R102WE | Vertical white with display tag | EA | \$6.33 | \$0.63 | 10 | 240 |
| D2WE | Right extend white | EA | \$6.34 | \$0.63 | 5 | 120 |
| D2LWE | Left extend white | EA | \$6.71 | \$0.67 | 5 | 120 |
| D2/2WE | Twin pack left & right extend white | PK | \$12.70 | \$1.27 | 5 | 100 |
| D2PA | Right extend white 175J surge | EA | \$23.00 | \$2.30 | 5 | 100 |
| D2PAB | Right extend white audible alert 175J surge | EA | \$22.94 | \$2.29 | 5 | 100 |
| D2PA/2WE | Twin pack left & right extend white 175J surge N | EA | \$23.07 | \$2.31 | 5 | 100 |
| International travel adaptors 10A 2400W | | | | | | |
| D121 | Complete set EUR/USA/UK white | EA | \$33.91 | \$3.39 | 5 | 50 |
| D122 | For EUR/USA travellers to AUS/NZ white | EA | \$15.38 | \$1.54 | 10 | 200 |
| D121E | For AUS/NZ travellers to EUR white | EA | \$11.40 | \$1.14 | 5 | 120 |
| D121UK | For AUS/NZ travellers to UK white | EA | \$14.31 | \$1.43 | 5 | 120 |
| D121A | For AUS/NZ travellers to USA white | EA | \$11.40 | \$1.14 | 5 | 120 |
| Fuse wire | | | | | | |
| R1202 | Fuse wire 8A /16A pack of 2 fuse wires | PK | \$1.95 | \$0.20 | 10 | 100 |



New product



Energy Saving products



More info available.
See technical pages



Coming soon



Product to be discontinued

Whilst most items are stock lines some products are made to order. UoM = Unit Of Measure.
Prices are effective 1 June 2017 and are subject to change without notice. Trade prices exclude GST.



HOME AUTOMATION & DOOR ENTRY

Home Automation



P. 282
MyHOME™
Automation Kits

Multiroom Audio



P. 284
NUVO™
Audio Kits

Door Entry Systems



P. 283
Smart™ Door Entry Kit
(Wi-Fi Enabled)

Door Chimes



P. 285
Door Chimes
Battery-Operated

FEATURED PRODUCTS



Bluetooth Sound System
(p. 284)

**NUVO™ Multiroom
Audio Kits**
(p. 284)





P. 282
Zigbee Wireless
Control Kits



P. 284
Players/
Amplifiers



P. 284
Speakers



P. 284
Bluetooth Sound
System



P. 283
Door Entry
Kits



P. 283
Colour Video Monitors



P. 285
Door Chimes
Plug-In



P. 285
Bell Presses



Smart Door Entry Kits
(p. 283)



Door Chimes
(p. 285)

Home Automation

MyHOME[®] home automation and ZigBee pre-programmed kit



MHKIT1



MHKIT4



PRO661



PRO662



088310

| Cat.Nos | Pre-configured home automation kits | UoM | Trade price \$ | GST \$ | Box qty | Carton qty |
|---------|--|-----|----------------|----------|---------|------------|
| | Lighting/dimming control and energy monitoring | | | | | |
| MHKIT1 | Kit 3.5" touchscreen with energy monitoring & 5 x 1 gang switches white | PK | \$2,854.01 | \$285.40 | - | - |
| MHKIT2 | Kit 3.5" touchscreen with energy monitoring & 1 x 2 gang + 1 x 3 gang switches white | PK | \$2,854.01 | \$285.40 | - | - |
| MHKIT3 | Kit 3.5" touchscreen with 3 phase energy monitoring & 5 x 1 gang switches white | PK | \$3,407.68 | \$340.77 | - | - |
| MHKIT4 | Kit 3.5" touchscreen with 3 phase energy monitoring & 1 x 2 gang + 1 x 3 gang switches white | PK | \$3,407.68 | \$340.77 | - | - |
| | ZigBee wireless control solutions | | | | | |
| | ZigBee pre-programmed kits | | | | | |
| PRO660 | 2 wire switch with remote - 300W N | EA | \$420.97 | \$42.10 | - | - |
| PRO661 | 2 wire switch receiver and wireless switch transmitter - 300W N | EA | \$451.78 | \$45.18 | - | - |
| PRO662 | In-ceiling controller and wireless switch transmitter - 300W N | EA | \$466.31 | \$46.63 | - | - |
| PRO663 | Wall mounted switch receiver 3 wire and wireless switch transmitter - 2400W N | EA | \$469.15 | \$46.92 | - | - |
| | ZigBee/WiFi gateway | | | | | |
| 088310 | Plug-in unit gateway for ZigBee products controlled over WiFi N | EA | \$316.64 | \$31.66 | 10 | - |



New product



Energy Saving products



More info available. See technical pages



Coming soon



Product to be discontinued

Home Automation

Door entry systems



363911



344643



369210



369083



369205

| Cat.Nos | | UoM | Trade price \$ | GST \$ | Box qty | Carton qty |
|---------|--|-----|----------------|----------|---------|------------|
| | Smart door entry kit | | | | | |
| | External panel & internal unit kit (Wi-Fi Enabled) | | | | | |
| 363911 | Linea 3000 video IP54 2 wire silver & Classe 300X13E Wi-Fi 7" internal unit white N | EA | \$1,599.00 | \$159.90 | 1 | - |
| | Additional internal units | | | | | |
| 344642 | Classe 300X13E Wi-Fi 7" touchscreen 2 wire white N | EA | \$899.00 | \$89.90 | 1 | - |
| 344643 | Classe 300X13E Wi-Fi 7" touchscreen 2 wire black N | EA | \$899.00 | \$89.90 | 1 | - |
| | Colour video & audio door entry kits | | | | | |
| | 2 wire | | | | | |
| 369200 | Kit 7" handsfree colour video monitor white & aluminium street panel with LED | EA | \$731.97 | \$73.20 | - | 6 |
| 369210 | Kit 7" handsfree colour video monitor black & aluminium street panel with LED | EA | \$731.97 | \$73.20 | - | 6 |
| | 4 wire | | | | | |
| 369083 | Kit 7" handsfree colour video monitor white & aluminium street panel with LED | EA | \$577.21 | \$57.72 | - | 6 |
| | Additional colour video monitor | | | | | |
| | 2 wire | | | | | |
| 369205 | 7" handsfree colour video monitor white | EA | \$343.47 | \$34.35 | - | 8 |
| 369215 | 7" handsfree colour video monitor black | EA | \$343.47 | \$34.35 | - | 8 |
| | 4 wire | | | | | |
| 369088 | 7" handsfree colour video monitor white | EA | \$319.03 | \$31.90 | - | 8 |



New product



Energy Saving products

More info available.
See technical pages

Coming soon



Product to be discontinued

Whilst most items are stock lines some products are made to order. UoM = Unit Of Measure.
Prices are effective 1 June 2017 and are subject to change without notice. Trade prices exclude GST.

Home Automation

NUVO multiroom audio and Bluetooth sound diffusion



NVP100KAU



NVAP16C



573204

| Cat.Nos | Nuvo multiroom audio | UoM | Trade price \$ | GST \$ | Box qty | Carton qty |
|------------|--|-----|----------------|----------|---------|------------|
| | Audio kit | | | | | |
| NVP100KAU | Wireless player 2x20W + pair of 6.5" in-ceiling speakers | PK | \$1,135.78 | \$113.58 | - | - |
| NVP200KAU | Wireless player 2x60W + pair of 6.5" in-ceiling speakers | PK | \$1,333.76 | \$133.38 | - | - |
| NVP200K3AU | 3 zone kit - 3x wireless players 2x60W + 3 pairs of 6.5" in-ceiling speakers | PK | \$3,803.30 | \$380.33 | - | - |
| | Players/amplifiers | | | | | |
| NVP100AU | Wireless player/amplifier 2x20W | EA | \$936.76 | \$93.68 | - | 5 |
| NVP200AU | Wireless player/amplifier 2x60W | EA | \$1,145.16 | \$114.52 | - | 5 |
| | Speakers | | | | | |
| NVAP16C | In-ceiling speakers 6.5" 50W 8Ω white (pair) | EA | \$311.56 | \$31.16 | - | - |
| NVAP16I | In-wall speakers 6.5" 50W 8Ω white (pair) | EA | \$311.56 | \$31.16 | - | - |
| NVAP16OW | Outdoor speakers 6.5" 50W 8Ω white (pair) | EA | \$404.43 | \$40.44 | - | - |
| NVAP16RS | Rock outdoor speaker 6.5" 50W 8Ω sandstone (pair) | EA | \$655.51 | \$65.55 | - | - |
| | Accessories | | | | | |
| NVBK6C | In-ceiling rough-in brackets 6.5" (pair) | EA | \$38.76 | \$3.88 | - | - |
| NVBK6I | In-wall rough-in brackets 6.5" (pair) | EA | \$32.02 | \$3.20 | - | - |
| | Bluetooth sound diffusion | | | | | |
| | Bluetooth receiver module | | | | | |
| 573204 | Bluetooth receiver 15V d.c. stereo outputs 4/16 ohms 2 module white N | EA | \$195.00 | \$19.50 | - | - |
| 573704 | Bluetooth receiver 15V d.c. stereo outputs 4/16 ohms 2 module magnesium N | | \$195.00 | \$19.50 | - | - |
| 067322 | Power supply 230V a.c./15V d.c. output 3.5W N | EA | \$99.00 | \$9.90 | - | - |
| | Speakers | | | | | |
| 573982 | In-ceiling speakers 8 ohms 20W round white N | EA | \$79.00 | \$7.90 | - | - |
| 067303 | In-wall speaker 16 ohms 12W square black N | EA | \$99.00 | \$9.90 | - | - |



New product



Energy Saving products



More info available.
See technical pages



Coming soon



Product to be discontinued

Door Entry

Door chimes



D642/L1



D641/BLRCC



D642/05



D642/01



D641/B



D641/PIFL

| Cat.Nos | Wireless battery-operated | UoM | Trade price \$ | GST \$ | Box qty | Carton qty |
|------------------------------|--|-----|----------------|---------|---------|------------|
| D642/L1 | White 100m range 433MHz 80dB 36 mel. with LED indicator | EA | \$63.19 | \$6.32 | 8 | 48 |
| D642/L2 | White 100m range 433MHz 80dB 36 mel. | EA | \$47.22 | \$4.72 | 8 | 48 |
| D641/BLR | White 70m range 433.92MHz 100dB 2 mel. | EA | \$51.65 | \$5.16 | 5 | 20 |
| D641/BLRCC | Charcoal 70m range 433.92MHz 100dB 2 mel. | EA | \$51.65 | \$5.16 | 5 | 20 |
| D641/BFL | White 70m range 433.92MHz 80dB 2 mel. | EA | \$74.20 | \$7.42 | 5 | 50 |
| D642/05 | White round 50m range 433.05-434.79MHz 80dB 16 mel. with LED indicator | EA | \$24.82 | \$2.48 | 4 | 48 |
| D642/01 | White square 50m range 433.05-434.79MHz 80dB 16 mel. with LED indicator | EA | \$23.23 | \$2.32 | 4 | 48 |
| D642/012R | White 50m range 433.05-434.79MHz 80dB 16 mel. x2 door chime receivers with LED indicator | EA | \$39.20 | \$3.92 | 4 | 48 |
| D641/B | White 30m range 433.92MHz 100dB 2 mel. | EA | \$41.21 | \$4.12 | 8 | 80 |
| Wireless plug-in | | | | | | |
| D641/PIFL | White 70m range 433.92MHz 70dB 2 mel. piggyback socket adjustable volume | EA | \$125.93 | \$12.59 | 5 | 50 |
| D641/PILR | White 70m range 433.92MHz 70dB 2 mel. piggyback socket | EA | \$93.77 | \$9.38 | 5 | 50 |
| D641/PI | White 35m range 433.92MHz 70dB 2 mel. | EA | \$66.09 | \$6.61 | 5 | 50 |
| Wireless bell presses | | | | | | |
| D641/BPWE | White single bell press 433.92MHz for D641/PI series | EA | \$25.00 | \$2.50 | 10 | 100 |
| D641/BPCC | Charcoal single bell press 433.92MHz for D641/PI series | EA | \$25.00 | \$2.50 | 10 | 100 |



New product



Energy Saving products



More info available. See technical pages



Coming soon

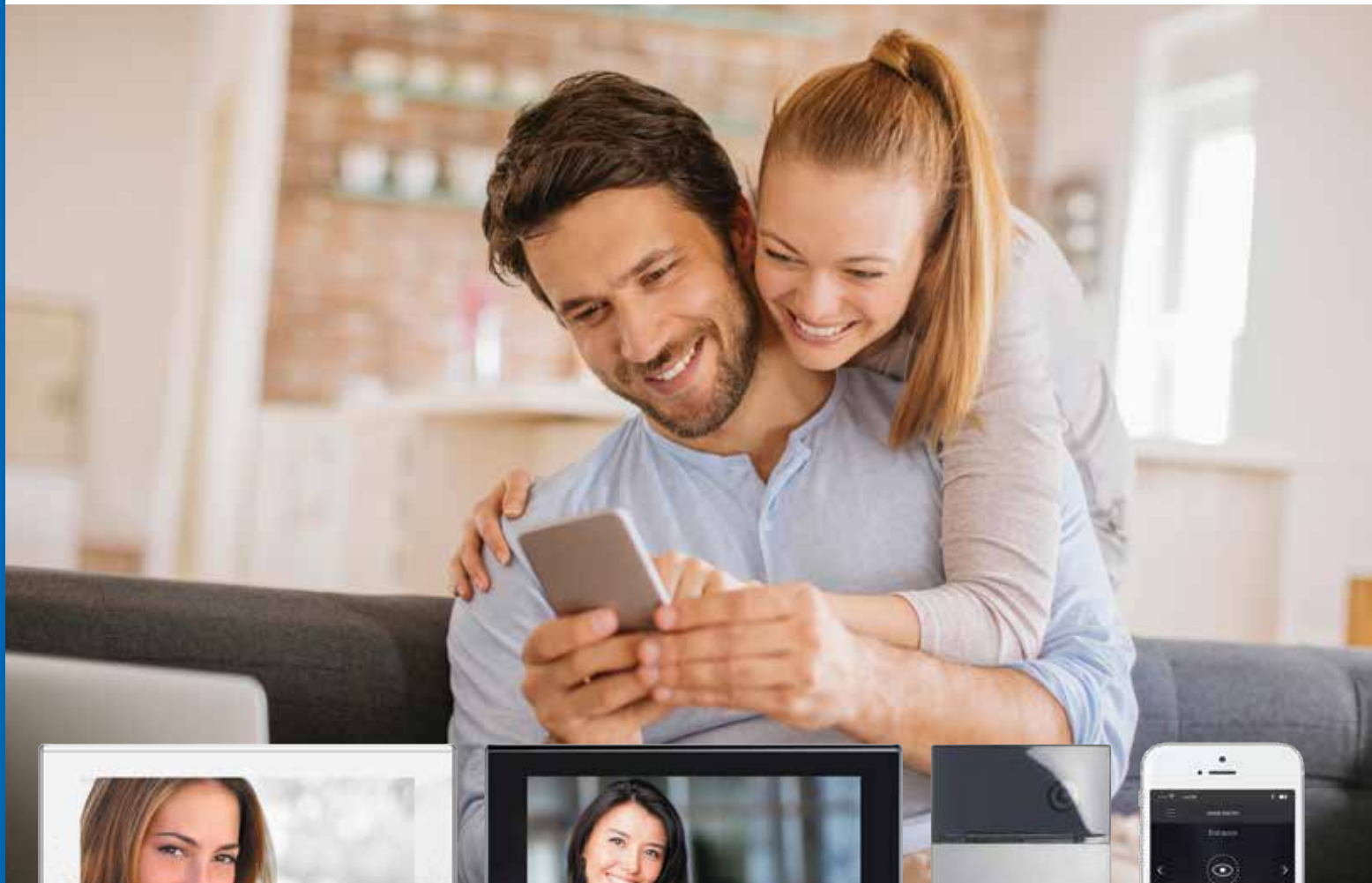


Product to be discontinued

Whilst most items are stock lines some products are made to order. UoM = Unit Of Measure. Prices are effective 1 June 2017 and are subject to change without notice. Trade prices exclude GST.

CLASSE300

Connected Video Door Entry System



Transform every home into a connected home, easily controlled in the home or remotely using a smartphone.

Classe 300 is part of the Eliot program:
The Internet of Things range from Legrand.

NUVO[®]

High quality digital music in every room



NUVO 3 zone audio kit (NVP200K3AU)

3x



120W Wireless Player/Amplifier

3x



Pair of 6.5" in Ceiling Speakers



VENTILATION

Exhaust Fans



P. 290
Wall Exhaust Fans

Bathroom Heaters



P. 292
Single Lamp
Instant Heat

Ceiling Sweep Fans



P. 293
White
Aluminium Finish

Hand Dryers



P. 294
Hand Dryer

FEATURED PRODUCTS



Wall Exhaust Fans
(p. 290)



In-line Ceiling Exhaust Fans
(p. 291)



Ceiling Exhaust Fans
(p. 290)





P. 290
Ceiling Exhaust Fans



P. 291
In-line Ceiling Exhaust Fans



P. 291
Accessories



P. 292
3-in-1 Non-Ducted Units



P. 292
3-in-1 Ducted Units



P. 292
Replacement Heat Lamps and Centre Light



P. 293
Stainless Steel Finish



P. 293
Rattan White Finish



P. 294
Accessories



Non-Ducted Instant Heat
(p. 292)



Ceiling Sweep Fans
(p. 293)



Ventilation

Exhaust fans



EF100SQWE



EF100SQSWE



EF200RDWE



EF200SQWE



EFD01RDMS

| Cat.Nos | | | UoM | Trade price \$ | GST \$ | Box qty | Carton qty |
|-----------------------------|---|--------------------|-----|----------------|---------|---------|------------|
| Wall exhaust fans | | | | | | | |
| 100mm | | | | | | | |
| EF100SQWE | 14W square white finish 94m ³ /h 158 x 158mm fascia | N | EA | \$94.54 | \$9.45 | - | 4 |
| EF100SQSWE | 14W square slimline white finish 105m ³ /h 158 x 158mm fascia | N | EA | \$94.54 | \$9.45 | - | 4 |
| EF100RDWE | 14W round white finish 105m ³ /h Ø190mm fascia | N | EA | \$94.54 | \$9.45 | - | 4 |
| 150mm | | | | | | | |
| EF150SQWE | 24W square white finish 230m ³ /h 212 x 212mm fascia | N | EA | \$208.20 | \$20.82 | - | 4 |
| EF150SQSWE | 24W square slimline white finish 300m ³ /h 212 x 212mm fascia | N | EA | \$208.20 | \$20.82 | - | 4 |
| EF150RDWE | 24W round white finish 300m ³ /h Ø253mm fascia | N | EA | \$208.20 | \$20.82 | - | 4 |
| EFS150SQWE | 24W sq. white finish with shutters 220m ³ /h 212 x 212mm fascia | N | EA | \$274.82 | \$27.48 | - | 4 |
| EFS150SQSWE | 24W sq. slim white finish with shutters 290m ³ /h 212 x 212mm fascia | N | EA | \$274.82 | \$27.48 | - | 4 |
| R621/8A | 29W square white finish 245m ³ /h 225x225mm fascia | | EA | \$244.41 | \$24.44 | - | 4 |
| R621/9A | 29W square white finish with shutters 245m ³ /h 225x225mm fascia | | EA | \$375.68 | \$37.57 | - | 4 |
| Ceiling exhaust fans | | | | | | | |
| 200mm non-ducted | | | | | | | |
| EF200RDWE | 35W round white finish 350m ³ /h Ø287mm fascia | N | EA | \$65.48 | \$6.55 | - | 4 |
| EF200RDMS | 35W round matt silver finish 350m ³ /h Ø287mm fascia | N | EA | \$68.50 | \$6.85 | - | 4 |
| EF200SQWE | 35W square white finish 350m ³ /h 275x275mm fascia | N | EA | \$65.08 | \$6.51 | - | 4 |
| 250mm non-ducted | | | | | | | |
| EF250RDWE | 38W round white finish 400m ³ /h Ø372mm fascia | N | EA | \$65.48 | \$6.55 | - | 4 |
| EF250RDMS | 38W round matt silver finish 400m ³ /h Ø372mm fascia | N | EA | \$68.50 | \$6.85 | - | 4 |
| EF250SQWE | 38W square white finish 400m ³ /h 350x350mm fascia | N | EA | \$65.08 | \$6.51 | - | 4 |
| Ducted | | | | | | | |
| R621D1 | 34W square white finish 160m ³ /h 290x290mm fascia | | EA | \$137.79 | \$13.78 | - | 2 |
| R621D2 | 40W round white finish 300m ³ /h Ø375mm fascia | x ++ | EA | \$144.92 | \$14.49 | - | 2 |
| EFD01RDWE | 40W round with white finish 330m ³ /h Ø372mm fascia | N | EA | \$140.54 | \$14.05 | - | - |
| EFD01RDMS | 40W round with matt silver finish 330m ³ /h Ø372mm fascia | N | EA | \$140.54 | \$14.05 | - | - |
| EFD01SQWE | 40W square with white finish 330m ³ /h Ø372mm fascia | N | EA | \$140.54 | \$14.05 | - | - |



New product



Energy Saving products



More info available. See technical pages



Coming soon



Product to be discontinued

Ventilation

Exhaust fans



EFIL100SQWE



R621/6D



R621/6WA



A100



A800



EFGR250RDWE

| Cat.Nos | Inline exhaust fans | | UoM | Trade price \$ | GST \$ | Box qty | Carton qty |
|---|---|--|-----|----------------|---------|---------|------------|
| EFIL100SQWE | 30W 100mm square white finish 255m ³ /h | | EA | \$258.17 | \$25.82 | - | - |
| EFIL150SQWE | 60W 150mm square white finish 555m ³ /h | | EA | \$283.15 | \$28.32 | - | - |
| Fanlights non-ducted | | | | | | | |
| R620LED | 49W LED 200mm round white finish 300m ³ /h Ø340mm fascia | | EA | \$230.77 | \$23.08 | - | - |
| R620 | 38W 200mm round white finish 300m ³ /h Ø340mm fascia | | EA | \$230.77 | \$23.08 | - | - |
| LM100L | 15W 12V a.c. 100mm round white finish IP65 100m ³ /h Ø150mm fascia | | EA | \$334.30 | \$33.43 | - | 2 |
| Accessories | | | | | | | |
| Wall kits | | | | | | | |
| R621/4D | 100mm external grille, duct, cable ties, wall plugs for 100mm wall fans | | EA | \$39.16 | \$3.92 | 10 | 10 |
| R621/6D | 150mm external grille, duct, cable ties, wall plugs for 150mm wall fans | | EA | \$47.09 | \$4.71 | 10 | 10 |
| Window kits | | | | | | | |
| R621/6WA | 150mm external grille, gaskets, flush plate for 150mm wall fans only | | EA | \$78.62 | \$7.86 | - | 10 |
| Time-delay module | | | | | | | |
| EF100/150TD | 1-29min for EF100&150 series wall fans | | EA | \$20.90 | \$2.09 | 5 | 60 |
| Duct adaptor | | | | | | | |
| R621D2DA | 100 to 150mm duct adaptor | | EA | \$15.07 | \$1.51 | - | - |
| Ducting | | | | | | | |
| A100 | Ø100mm x 3m length | | EA | \$48.86 | \$4.89 | - | - |
| A101 | Ø150mm x 3m length | | EA | \$58.09 | \$5.81 | - | - |
| External grilles | | | | | | | |
| A501 | Ø150mm eggcrate grille with neck adaptor | | EA | \$120.69 | \$12.07 | - | 12 |
| A505 | Ø150mm circular ceiling/wall diffuser | | EA | \$74.11 | \$7.41 | - | - |
| A800 | Ø100mm airflow shutter with gravity flaps | | EA | \$40.23 | \$4.02 | - | 20 |
| A801 | Ø150mm airflow shutter with gravity flaps | | EA | \$83.14 | \$8.31 | - | 10 |
| Vent cowl | | | | | | | |
| A701 | Ø150mm roof vent cowl | | EA | \$20.90 | \$2.09 | - | - |
| Replacement grilles for HPM ceiling exhaust fans EF series | | | | | | | |
| EFGR200RDWE | Ø200mm round white finish. Compatible with EF200 series | | EA | \$7.50 | \$0.75 | - | - |
| EFGR250RDWE | Ø250mm round white finish. Compatible with EF250 series | | EA | \$8.54 | \$0.85 | - | - |

Ventilation

Bathroom heaters



BH1MS



BH2NDWE



BH4NDMS



BH2DWE



BH4DWE



LR80014K

| Cat.Nos | | UoM | Trade price \$ | GST \$ | Box qty | Carton qty |
|-------------------------------------|---|-----|----------------|---------|---------|------------|
| Single heat lamp units | | | | | | |
| BH1WE | 275W square white with flex and plug 210 x 210mm fascia | EA | \$106.73 | \$10.67 | - | 12 |
| BH1MS | 275W square matt silver with flex and plug 210 x 210mm fascia | EA | \$106.73 | \$10.67 | - | 12 |
| R615 | 275W round white hard wired Ø170mm fascia | EA | \$106.73 | \$10.67 | - | 10 |
| 3-in-1 non ducted units | | | | | | |
| BH2NDWE | 2 lamps 690W 240m ³ /h Ø300mm cut-out white LED centre light | EA | \$198.89 | \$19.89 | - | - |
| BH2NDMS | 2 lamps 690W 240m ³ /h Ø300mm cut-out matt silver LED centre light | EA | \$198.89 | \$19.89 | - | - |
| BH4NDWE | 4 lamps 1240W 390m ³ /h 322 x 322mm cut-out white LED centre light | EA | \$266.39 | \$26.64 | - | - |
| BH4NDMS | 4 lamps 1240W 390m ³ /h 322 x 322mm cut-out matt silver LED centre light | EA | \$266.39 | \$26.64 | - | - |
| R622/1AC | 2 lamps 690W 240m ³ /h Ø300mm cut-out white | EA | \$204.96 | \$20.50 | - | - |
| R622/2AC | 4 lamps 1240W 390m ³ /h 322 x 322mm cut-out white | EA | \$274.80 | \$27.48 | - | - |
| 3-in-1 ducted units | | | | | | |
| BH2DWE | 2 lamps 840W 180m ³ /h 205x395mm cut-out white LED centre light | EA | \$286.57 | \$28.66 | - | - |
| BH4DWE | 4 lamps 1570W 180m ³ /h 295x355mm cut-out white LED centre light | EA | \$342.26 | \$34.23 | - | - |
| R622D2 | 4 lamps 1240W 240m ³ /h 310x310mm cut-out white | EA | \$342.26 | \$34.23 | - | 2 |
| Replacement heat lamps | | | | | | |
| L275HLES | 275W single pack | EA | \$31.65 | \$3.16 | - | 20 |
| L375HLES | 375W single pack | EA | \$35.72 | \$3.57 | - | 20 |
| MQ275 | 275W twin pack | EA | \$21.21 | \$2.12 | - | 20 |
| Replacement LED centre Light | | | | | | |
| LR80014K | R80 LED lamp cool white 4000K 600lm 7W | EA | \$35.43 | \$3.54 | 12 | 108 |



New product



Energy Saving products



More info available.
See technical pages



Coming soon



Product to be discontinued

Ventilation

Ceiling sweep fans



CF9JWE



CF12HWE



CF14H4WE



CF12HBS



CF12J316L



CF13HAW

| Cat.Nos | White aluminium | | UoM | Trade price \$ | GST \$ | Box qty | Carton qty |
|---|--|--|-----|----------------|---------|---------|------------|
| 3 blades | | | | | | | |
| CF9HWE | 900mm hang-sure 4920m ³ /h 360rpm 55W | | EA | \$131.98 | \$13.20 | - | - |
| CF9JWE | 900mm J-hook 4920m ³ /h 360rpm 55W | | EA | \$131.98 | \$13.20 | - | - |
| CF12HWE | 1200mm hang-sure 10020m ³ /h 320rpm 65W | | EA | \$143.98 | \$14.40 | - | - |
| CF12JWE | 1200mm J-hook 10020m ³ /h 320rpm 65W | | EA | \$143.98 | \$14.40 | - | - |
| CF14HWE | 1400mm hang-sure 11040m ³ /h 280rpm 65W | | EA | \$155.98 | \$15.60 | - | - |
| CF14JWE | 1400mm J-hook 11040m ³ /h 280rpm 65W | | EA | \$155.98 | \$15.60 | - | - |
| 4 blades | | | | | | | |
| CF12H4WE | 1200mm hang-sure 10800m ³ /h 290rpm 65W | | EA | \$160.66 | \$16.07 | - | - |
| CF12J4WE | 1200mm J-hook 10800m ³ /h 290rpm 65W | | EA | \$160.66 | \$16.07 | - | - |
| CF14H4WE | 1400mm hang-sure 11880m ³ /h 255rpm 65W | | EA | \$173.02 | \$17.30 | - | - |
| CF14J4WE | 1400mm J-hook 11880m ³ /h 255rpm 65W | | EA | \$173.02 | \$17.30 | - | - |
| 430 stainless steel 3 blades | | | | | | | |
| CF9HBS | 900mm hang-sure 4920m ³ /h 360rpm 55W | | EA | \$155.98 | \$15.60 | - | - |
| CF9JBS | 900mm J-hook 4920m ³ /h 360rpm 55W | | EA | \$155.98 | \$15.60 | - | - |
| CF12HBS | 1200mm hang-sure 10020m ³ /h 320rpm 65W | | EA | \$167.98 | \$16.80 | - | - |
| CF12JBS | 1200mm J-hook 10020m ³ /h 320rpm 65W | | EA | \$167.98 | \$16.80 | - | - |
| CF14HBS | 1400mm hang-sure 11040m ³ /h 280rpm 65W | | EA | \$179.97 | \$18.00 | - | - |
| CF14JBS | 1400mm J-hook 11040m ³ /h 280rpm 65W | | EA | \$179.97 | \$18.00 | - | - |
| 304 stainless steel 3 blades | | | | | | | |
| CF12J304 | 1200mm J-hook 10020m ³ /h 320rpm 65W | | EA | \$227.97 | \$22.80 | - | - |
| CF14H304 | 1400mm hang-sure 11040m ³ /h 280rpm 65W | | EA | \$251.97 | \$25.20 | - | - |
| CF14J304 | 1400mm J-hook 11040m ³ /h 280rpm 65W | | EA | \$251.97 | \$25.20 | - | - |
| 316L marine grade stainless steel 3 blades | | | | | | | |
| CF12J316L | 1200mm J-hook 10020m ³ /h 320rpm 65W | | EA | \$443.94 | \$44.39 | - | - |
| CF14J316L | 1400mm J-hook 11040m ³ /h 280rpm 65W | | EA | \$467.93 | \$46.79 | - | - |
| Rattan white 4 blades | | | | | | | |
| CF13HAW | 1300mm hang-sure 7800m ³ /h 200rpm 65W | | EA | \$191.98 | \$19.20 | - | - |



New product



Energy Saving products



More info available. See technical pages



Coming soon



Product to be discontinued

Whilst most items are stock lines some products are made to order. UoM = Unit Of Measure. Prices are effective 1 June 2017 and are subject to change without notice. Trade prices exclude GST.

Ventilation

Ceiling sweep fan accessories and hand dryer



CFCLWE



CFOLBS



CFREMOTEH



R623/1000A

| Cat.Nos | | UoM | Trade price \$ | GST \$ | Box qty | Carton qty |
|---------------------------|--|-----|----------------|---------|---------|------------|
| Replacement blades | | | | | | |
| CFBL9WE | Single blades 900mm aluminium white | EA | \$14.40 | \$1.44 | - | 20 |
| CFBL12WE | Single blades 1200mm aluminium white | EA | \$15.60 | \$1.56 | - | 20 |
| CFBL14WE | Single blades 1400mm aluminium white | EA | \$16.80 | \$1.68 | - | 20 |
| CFBL9BS | Single blades 900mm stainless steel 430 | EA | \$15.00 | \$1.50 | - | 20 |
| CFBL12BS | Single blades 1200mm stainless steel 430 | EA | \$16.19 | \$1.62 | - | 20 |
| CFBL14BS | Single blades 1400mm stainless steel 430 | EA | \$17.40 | \$1.74 | - | 20 |
| CFBL14304 | Single blades 1400mm stainless steel 304 | EA | \$33.59 | \$3.36 | - | 20 |
| CFBL12316L | Single blades 1200mm stainless steel 316L | EA | \$53.99 | \$5.40 | - | 20 |
| CFBL14316L | Single blades 1400mm stainless steel 316L | EA | \$66.00 | \$6.60 | - | 20 |
| Extension downrods | | | | | | |
| CFDR750HWE | 750mm downrod aluminium hang-sure white | EA | \$28.79 | \$2.88 | - | 10 |
| CFDR750JWE | 750mm downrod aluminium J-hook white | EA | \$28.79 | \$2.88 | - | 10 |
| CFDR750HBS | 750mm downrod hang-sure stainless steel | EA | \$33.59 | \$3.36 | - | 10 |
| CFDR750JBS | 750mm downrod J-hook stainless steel | EA | \$33.59 | \$3.36 | - | 10 |
| CFDR1500HWE | 1500mm downrod aluminium hang-sure white | EA | \$52.79 | \$5.28 | - | 10 |
| CFDR1500JWE | 1500mm downrod aluminium J-hook white | EA | \$52.79 | \$5.28 | - | 10 |
| Light kits | | | | | | |
| CFCLWE | Clipper light kit Ø190mm aluminium white | EA | \$57.59 | \$5.76 | - | 12 |
| CFCLBS | Clipper light kit Ø190mm brushed stainless steel | EA | \$57.59 | \$5.76 | - | 12 |
| CFOLWE | Oyster light kit Ø245mm aluminium white | EA | \$57.59 | \$5.76 | - | 12 |
| CFOLBS | Oyster light kit Ø245mm brushed stainless steel | EA | \$57.59 | \$5.76 | - | 12 |
| Remote control kit | | | | | | |
| CFREMOTEH | Remote control hang-sure white | EA | \$77.39 | \$7.74 | - | 20 |
| CFREMOTEJ | Remote control J-hook white | EA | \$77.39 | \$7.74 | - | 20 |
| Hand dryer | | | | | | |
| R623/1000A | Hand dryer 240V a.c. white 1700W | EA | \$626.24 | \$62.62 | - | - |



New product



Energy Saving products



More info available.
See technical pages



Coming soon



Product to be discontinued

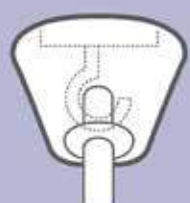
Ventilation

Ceiling sweep fan

MOUNTING OPTIONS



HANG-SURE MOUNTING
 Suitable for all ceiling types including inclined ceilings up to a 20° angle



J-HOOK MOUNTING
 Suitable for level ceiling only

OVERALL LENGTH

WITH STANDARD ROD

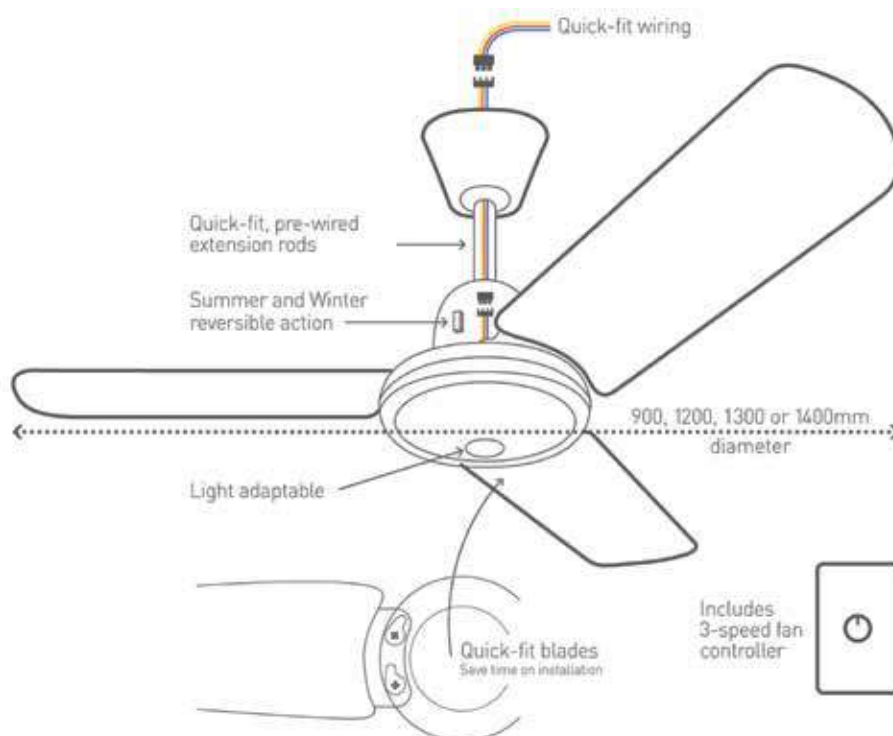
| LENGTH | A | B |
|----------|-------|-------|
| HANGSURE | 300mm | 345mm |
| J-HOOK | 335mm | 380mm |

WITH MEDIUM (750MM) ROD

| LENGTH | A | B |
|----------|-------|-------|
| HANGSURE | 915mm | 960mm |
| J-HOOK | 950mm | 995mm |

WITH LONG (1500MM) ROD

| LENGTH | A | B |
|----------|--------|--------|
| HANGSURE | 1665mm | 1710mm |
| J-HOOK | 1700mm | 1745mm |



OPTIONAL ACCESSORIES

REMOTE CONTROL KIT*

{CFREMOTEJ / CFREMOTEH}



- 2, 4 & 6 hour timer
- Low, Med & High fan speed
- Low, Med & High light
- Compatible with all models
- Wall bracket include

OYSTER LIGHT KIT

{CFOLWE / CFOLBS}
 {LED: CFOLLEDWE/CFOLLEDBS}



- Available in White [WE] and Brushed Stainless Steel [BS]
- Compatible with the entire range
- Easy fit-off
 [Note: globe not included in CFOLWE and CFOLBS]
- CFOLLED includes a dimmable LED panel 8.5 W /630lm

CLIPPER LIGHT KIT

{CFCLWE / CFCLBS}



- Available in White [WE] and Brushed Stainless Steel [BS]
- Compatible with the entire range
- Easy fit-off
 [Note: globe not included]

Ventilation

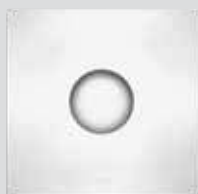
Wall and ceiling exhaust fans

Ducted ceiling exhaust fan installation guidelines

Cat No. R621D2

Compatibility

EF100/150TD is suitable to be fitted on the following wall exhaust fans. Time-delay module allows the fan to run for a set period, adjustable between 1 - 29 min, after the switch has been turned off.



EF100SQWE
EF150SQWE
EFS150SQWE

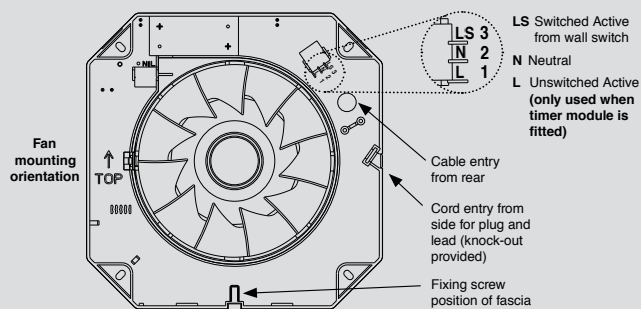


EF100SQSWE
EF150SQSWE
EFS150SQSWE

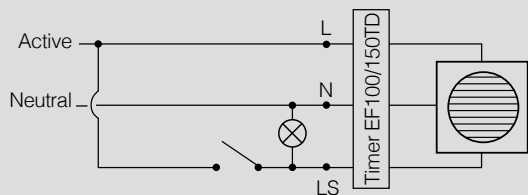


EF100RDWE
EF150RDWE

Fan mounting orientation



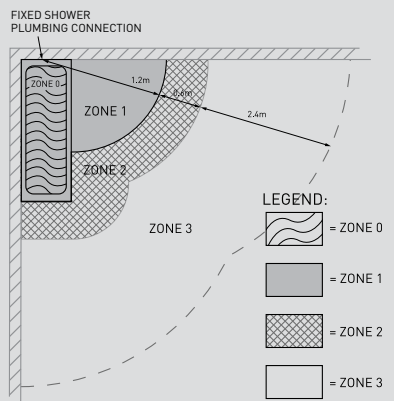
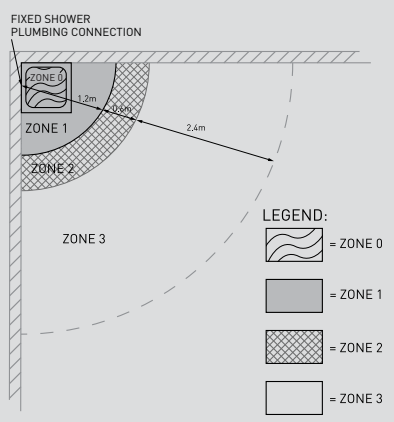
Fan with timer module and light fitting



Connection from rear – bring mains wiring through cable entry hole.

Connection from side (Fan only) – use twin flat core (H03VV-H2) or circular core (H05VV-F) 2 x 0.75mm² and place under cable clamp provided.

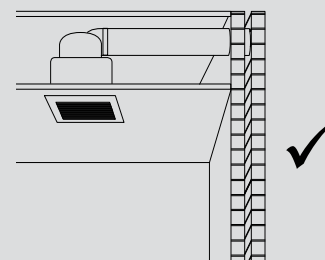
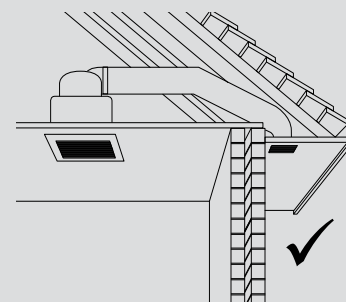
Exhaust fan wiring rules



The R621D2 shall be installed in accordance with the requirements relating to Section 6 Damp Situation of AS/NZS 3000:2007 Wiring Rules. No part of the unit may be located directly above any part of the bath or shower recess or enclosure. Please refer to diagrams: units must be installed within zones 2 and 3 only.

Exhaust fan correct installation:

- Unit Orientation: the unit must be installed to ensure the housing outlet and ducting is oriented in parallel to any roofing structures or supports. Any 90° bend in the duct will cause performance reduction.
- Duct Size: we recommend the unit to be installed with 150mm duct to ensure optimum extraction and performance.
- Cross Ventilation: Air will only be exhausted if there is sufficient flow through the room. Ensure adequate air inlets exist through windows, vents or under the door.
- Duct Outlet: Airflow will be reduced with pressure differentials between the room and outside air.



The duct outlet must be the same height or lower than the exhaust fan. The duct must not be installed vertically into a roof vent cap.

THE complete range of ventilation solutions



Sweep Fans

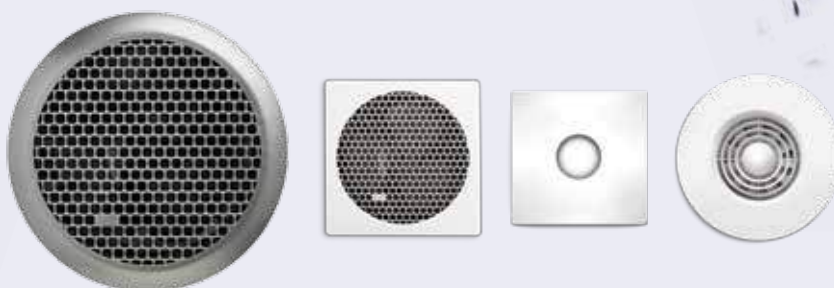
STAY COOL

- Quick-fit wiring for super fast installation
- Hang-sure and J-hook models available for level and inclined ceilings
- Australian designed & engineered for guaranteed quality

Exhaust Fans

KEEPING ROOMS FRESH

- Ideal for kitchens, bathrooms and laundries
- Strong air extraction up to 400m³/h
- Models for all rooms sizes available
- Complete offer for walls and ceilings



Instant Heat

KEEPING BATHROOMS HEALTHY AND WARM

- Fast installation
- Slimline design
- Strong air extraction
- Energy saving LED centre light options



New product



Energy Saving products



More info available. See technical pages



Coming soon



Product to be discontinued

Whilst most items are stock lines some products are made to order. UoM = Unit Of Measure. Prices are effective 1 June 2017 and are subject to change without notice. Trade prices exclude GST.



LIGHTING & SENSORS



P. 301
LED Downlights

Fixtures



P. 305
Halogen and CFL
Downlights



P. 309
LED Lamps
PAR38, R80,
GU10 and
MR16 Lamps

Lamps



P. 312-313
Fluorescent
T5 and T8



P. 317
Halogen
MR8, MR11
and MR16 Lamps

Lighting Accessories



P. 320
Fluorescent
and Halogen
Accessories

Motion Sensors and Smoke Alarms



P. 322
IP44
Weatherproof
Sensor

Garden Lighting



P. 324
Garden Lighting
12V d.c.

FEATURED PRODUCTS



Forta Floodlights
(p. 304)



LED PAR38 Lamp
(p. 309)



P. 301
LED
Panel Lights



P. 303
LED
Wall Lights



P. 303
LED Step Lights
And Starlights



P. 304
LED
Floodlights



P. 306
Incandescent
and Halogen
Floodlights



P. 307
Fluorescent
Battens



P. 308
Fluorescent Wall
Lights, Oyster and
Bunker Lights



P. 308
Coachlights



P. 310
Electrozap
Insect Killer



P. 310
CFL Triple
and Quad Tube



P. 311
CFL Spiral,
Bug and Party



P. 312
CFL
T2



P. 312
CFL
R80



P. 315
Ehalogen
Candle and
Fancy Round



P. 316
Ehalogen
GLS



P. 316
Halogen
G4 Bipin



P. 316
Halogen
G9



P. 317
Halogen
GU10



P. 318
Tungsten
Halogen R75



P. 319
Incandescent
PAR38, R63 and
R80



P. 320
Lampholders



P. 321
Battenholders



P. 321
Ceiling Roses



P. 322
IP66
Weatherproof
Sensor



P. 322
Smoke Alarms



P. 325
Garden Lighting
12V d.c. Accessories



LED R80 Lamp
(p. 309)



Smoke Alarms
(p. 322)

Lighting & sensors

LED Fixtures



DLI7001















DLI9004

LDL044KWE

DLI12502

DLI110TRIWE

DLI903KTILTWE

| Cat.Nos | Integrated driver LED dimmable downlights | UoM | Trade price \$ | GST \$ | Box qty | Carton qty |
|--|---|-----|----------------|---------|---------|------------|
| 70mm diameter cut-out | | | | | | |
| DLI7001 | 5W DLI 505lm warm white 3000K white 70mm cut-out dim    | EA | \$38.50 | \$3.85 | - | 48 |
| DLI7002 | 5W DLI 515lm cool white 4000K white 70mm cut-out dim    | EA | \$38.50 | \$3.85 | - | 48 |
| DLI7003 | 5W DLI 505lm warm white 3000K chrome 70mm cut-out dim    | EA | \$39.90 | \$3.99 | - | 48 |
| DLI7004 | 5W DLI 515lm cool white 4000K chrome 70mm cut-out dim    | EA | \$39.90 | \$3.99 | - | 48 |
| DLI70014P | 4 Pack 5W DLI 505lm warm white 3000K white 70mm cut-out dim    | EA | \$119.90 | \$11.99 | 4 | 36 |
| 90mm diameter cut-out | | | | | | |
| DLI9001 | 7W DLI 700lm warm white 3000K white 90mm cut-out dim    | EA | \$38.50 | \$3.85 | - | 24 |
| DLI9002 | 7W DLI 820lm cool white 4000K white 90mm cut-out dim    | EA | \$38.50 | \$3.85 | - | 24 |
| DLI9003 | 7W DLI 700lm warm white 3000K chrome 90mm cut-out dim    | EA | \$39.90 | \$3.99 | - | 24 |
| DLI9004 | 7W DLI 820lm cool white 4000K white 90mm cut-out dim    | EA | \$39.90 | \$3.99 | - | 24 |
| DLI90014P | 4 Pack 7W DLI 700lm warm white 3000K white 90mm cut-out dim    | EA | \$129.90 | \$12.99 | 4 | 24 |
| LDL043KWE | 8W AZA+ 750lm warm white 3000K white 90mm cut-out dim    | EA | \$38.50 | \$3.85 | - | 20 |
| LDL044KWE | 8W AZA+ 820lm cool white 3000K white 90mm cut-out dim    | EA | \$38.50 | \$3.85 | - | 20 |
| LDL043KPS | 8W AZA+ 750lm warm white 3000K polished silver 90mm cut-out    | EA | \$39.90 | \$3.99 | - | - |
| LDL044KPS | 8W AZA+ 750lm cool white 3000K polished silver 90mm cut-out    | EA | \$39.90 | \$3.99 | - | - |
| 125mm diameter cut-out | | | | | | |
| DLI12501 | 7W DLI 750lm warm white 3000K white 125mm cut-out dim    | EA | \$43.87 | \$4.39 | - | 24 |
| DLI12502 | 7W DLI 880lm cool white 4000K white 125mm cut-out dim    | EA | \$43.87 | \$4.39 | - | 24 |
| Selectable colour temperature - Integrated driver LED dimmable downlights | | | | | | |
| DLI90TRIWE | 7W DLI 690-740-680lm selectable 3000K/4000K/5000K white Ø90mm cut-out dim    | EA | \$41.90 | \$4.19 | - | - |
| DLI110TRIWE | 7W DLI 690-740-680lm selectable 3000K/4000K/5000K white Ø110mm cut-out dim    | EA | \$43.90 | \$4.39 | - | - |
| DLI150TRIWE | 10W DLI 1000-1100-1000lm selectable 3000K/4000K/5000K white Ø150mm    | EA | \$45.90 | \$4.59 | - | - |
| Tilt decorative - Integrated driver LED dimmable downlights | | | | | | |
| DLI903KTILTWE | 7W DLI 700lm tilt decorative warm white 3000K chrome 90mm cut-out dim    | EA | \$41.90 | \$4.19 | - | - |
| DLI904KTILTWE | 7W DLI 820lm tilt decorative cool white 4000K chrome 90mm cut-out dim    | EA | \$41.90 | \$4.19 | - | - |



Insulation Contact (IC) recessed luminaire - building insulation that can be continuously exposed to 90°C, can safely abut and cover the luminaire



Insulation Contact - Fire Resistant (IC-F) recessed luminaire - building insulation that can be continuously exposed to 90°C can safely abut and cover the luminaire. Additionally, IC-F rated downlights have to pass a 1mm probe test i.e. a 1mm diameter probe cannot enter any part of the luminaire and in effect no insulation or any other material can enter the fitting.



New product



Energy Saving products



More info available. See technical pages



Coming soon



Product to be discontinued

Lighting & sensors

LED Fixtures



LDL033KWE



DLS9003



LDL013KWE






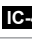

















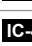




















LDL023KWE



LDL024KPS



LPA013KWE

| Cat.Nos | External driver LED dimmable downlights | UoM | Trade price \$ | GST \$ | Box qty | Carton qty |
|------------------------------------|--|-----|----------------|---------|---------|------------|
| 70mm diameter cut-out | | | | | | |
| LDL033KWE | 7W FREESIA 600lm warm white 3000K white 70mm cut-out dim   | EA | \$50.67 | \$5.07 | - | 20 |
| LDL034KWE | 7W FREESIA 620lm cool white 4000K white 70mm cut-out dim   | EA | \$50.67 | \$5.07 | - | 20 |
| LDL033KPS | 7W FREESIA 600lm warm white 3000K polished aluminium 70mm cut-out dim   | EA | \$50.67 | \$5.07 | - | 20 |
| LDL034KPS | 7W FREESIA 620lm cool white 4000K polished aluminium 70mm cut-out dim   | EA | \$50.67 | \$5.07 | - | 20 |
| 90mm diameter cut-out | | | | | | |
| DLS9001 | 10W DLS 800lm warm white 3000K white 90mm cut-out dim   | EA | \$50.67 | \$5.07 | - | 24 |
| DLS9002 | 10W DLS 830lm cool white 4000K white 90mm cut-out dim   | EA | \$50.67 | \$5.07 | - | 24 |
| DLS9003 | 10W DLS 800lm warm white 3000K brushed chrome 90mm cut-out dim   | EA | \$50.67 | \$5.07 | - | 24 |
| DLS9004 | 10W DLS 830lm cool white 4000K brushed chrome 90mm cut-out dim   | EA | \$50.67 | \$5.07 | - | 24 |
| LDL013KWE | 11W AZALEA 880lm warm white 3000K white 90mm cut-out dim   | EA | \$50.67 | \$5.07 | - | 20 |
| LDL014KWE | 11W AZALEA 890lm cool white 4000K white 90mm cut-out dim   | EA | \$50.67 | \$5.07 | - | 20 |
| LDL013KPS | 11W AZALEA 880lm warm white 3000K polished aluminium 90mm cut-out dim   | EA | \$50.67 | \$5.07 | - | 20 |
| LDL014KPS | 11W AZALEA 890lm cool white 4000K polished aluminium 90mm cut-out dim   | EA | \$50.67 | \$5.07 | - | 20 |
| LDL023KWE | 15W DALIA 950lm warm white 3000K white 90mm cut-out dim   | EA | \$83.01 | \$8.30 | - | 20 |
| LDL024KWE | 15W DALIA 980lm cool white 4000K white 90mm cut-out dim   | EA | \$83.01 | \$8.30 | - | 20 |
| LDL023KPS | 15W DALIA 950lm warm white 3000K anodised aluminium 90mm cut-out dim   | EA | \$83.01 | \$8.30 | - | 20 |
| LDL024KPS | 15W DALIA 980lm cool white 4000K anodised aluminium 90mm cut-out dim   | EA | \$83.01 | \$8.30 | - | 20 |
| Downlights extension plates | | | | | | |
| LEP120WE | For holes up to Ø120mm for 90mm cut-out downlights  | EA | \$14.49 | \$1.45 | 12 | 96 |
| LEP150WE | For holes up to Ø150mm for 90mm cut-out downlights  | EA | \$16.29 | \$1.63 | 12 | 96 |
| LED panel lights | | | | | | |
| LPA013KWE | 18W LUNA 1440lm warm white 3000K white finish 225mm cut-out dim   | EA | \$110.08 | \$11.01 | - | 10 |
| LPA014KWE | 18W LUNA 1500lm cool white 4000K white finish 225mm cut-out dim   | EA | \$110.08 | \$11.01 | - | 10 |
| MR16 Retrofit LED | | | | | | |
| LMR16703KWE | 7W 550lm LED retrofit for MR16 halogen Ø70mm cut-out  | EA | \$39.90 | \$3.99 | 16 | 64 |
| LMR16704KWE | 7W 590lm LED retrofit for MR16 halogen Ø70mm cut-out  | EA | \$39.90 | \$3.99 | 16 | 64 |
| LMR16903KWE | 9W 710lm LED retrofit for MR16 halogen Ø90mm cut-out  | EA | \$40.90 | \$4.09 | 12 | 48 |
| LMR16904KWE | 9W 770lm LED retrofit for MR16 halogen Ø90mm cut-out  | EA | \$40.90 | \$4.09 | 12 | 48 |



Insulation Contact (IC) recessed luminaire - building insulation that can be continuously exposed to 90°C, can safely abut and cover the luminaire



Insulation Contact - Fire Resistant (IC-F) recessed luminaire - building insulation that can be continuously exposed to 90°C can safely abut and cover the luminaire. Additionally, IC-F rated downlights have to pass a 1mm probe test i.e. a 1mm diameter probe cannot enter any part of the luminaire and in effect no insulation or any other material can enter the fitting.



New product



Energy Saving products



More info available. See technical pages



Coming soon



Product to be discontinued

Whilst most items are stock lines some products are made to order. UoM = Unit Of Measure. Prices are effective 1 June 2017 and are subject to change without notice. Trade prices exclude GST.

Dimmer Compatibility

| Led Fixture Range | Dimmer Type | Dimmers Compatibility | Maximum Lights Per Dimmer | Dimming Range |
|--|------------------------------|-----------------------|---------------------------|---------------|
| DLI70 Downlights | Trailing edge only | 400A3P | 16 | 100%-1% |
| | | 400A2P | 16 | 89%-7% |
| | | 250T | 11 | 100%-7% |
| | | 400T | 16 | 94%-8% |
| | | 700T | 28 | 100%-15% |
| | | 1000T | 40 | 100%-18% |
| AZA+ Downlights DLI90 & DLI125 Downlights | Trailing edge only | 400A3P | 12 | 100%-1% |
| | | 400A2P | 12 | 97%-9% |
| | | 250T | 8 | 100%-7% |
| | | 400T | 12 | 100%-7% |
| | | 700T | 21 | 100%-13% |
| | | 1000T | 30 | 100%-16% |
| Dalia Downlights Azalea Downlights Freesia Downlights Luna Panel Lights Calla Step Lights Zinnia Starlights | Trailing edge & leading edge | 400A3P | 8 | 100%-5% |
| | | 400A2P | 8 | 100%-10% |
| | | 250T / 250L | 5 | 100%-10% |
| | | 400T / 400L | 8 | 100%-10% |
| | | 700T / 700L | 14 | 100%-25% |
| | | 1000T / 1000L | 20 | 100%-25% |
| DLS Downlights | Trailing edge only | 400A3P | 8 | 100%-10% |
| | | 400A2P | 8 | 100%-10% |
| | | 250T | 5 | 100%-10% |
| | | 400T | 8 | 100%-10% |
| | | 700T | 14 | 100%-25% |
| | | 1000T | 20 | 100%-25% |
| R80 Dimmable Globe | Trailing edge only | 400A3P | 12 | 100%-1% |
| | | 400A2P | 12 | 92%-10% |
| | | 250T | 8 | 100%-7% |
| | | 400T | 12 | 100%-8% |

MR16 Retrofit

Install it yourself in 3 easy steps.

1. Remove.

Unplug and remove existing MR16 halogen downlight.



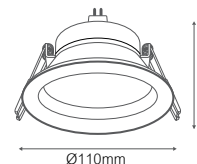
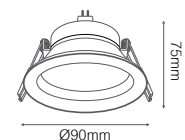
2. Replace.

Plug-in your new HPM MR16 LED downlight and install back into ceiling.



3. Ready.

Enjoy great light output, sleek design and up to 80% energy saving.



New product



Energy Saving products



More info available. See technical pages



Coming soon







































Product to be discontinued

Lighting & sensors

LED Fixtures



| Cat.Nos | LED oysters lights | UoM | Trade price \$ | GST \$ | Box qty | Carton qty |
|---------------------------|---|-----|----------------|---------|---------|------------|
| LOL013KWE | 17W ATIS 1650lm warm white 3000K white dimmable   | EA | \$88.57 | \$8.86 | - | 6 |
| LOL014KWE | 17W ATIS 1750lm cool white 4000K white dimmable   | EA | \$88.57 | \$8.86 | - | 6 |
| LOL023KPS | 18W AURA 1520lm warm white 3000K silver dimmable   | EA | \$119.83 | \$11.98 | - | 4 |
| LOL024KPS | 18W AURA 1530lm cool white 4000K silver dimmable   | EA | \$119.83 | \$11.98 | - | 4 |
| LED step lights | | | | | | |
| LST013KWE | 2.4W CALLA 24lm warm white 3000K white 45mm cut-out   | EA | \$60.65 | \$6.06 | - | 100 |
| LST013KPS | 2.4W CALLA 24lm warm white 3000K silver 45mm cut-out   | EA | \$60.65 | \$6.06 | - | 100 |
| LED star lights | | | | | | |
| LST023KWE | 2.4W ZINNIA 95lm warm white 3000K white finish 32mm cut-out dimmable   | EA | \$53.36 | \$5.34 | - | 100 |
| LST023KPS | 2.4W ZINNIA 95lm warm white 3000K polished aluminium 32mm cut-out dimmable   | EA | \$53.36 | \$5.34 | - | 100 |
| LDR02D700/18 | 18W driver kit for ZINNIA/CALLA LED step lights & starlights (minimum load: 5W)  | EA | \$55.04 | \$5.50 | - | 50 |
| LED striplights | | | | | | |
| LDR01N700/36 | 36W RIBBA driver and 1m strip 600lm warm white 3000K up to 5m strip  | EA | \$71.89 | \$7.19 | - | 24 |
| LSL013K | 7W RIBBA 600lm strip warm white 3000K 1m length  | EA | \$30.33 | \$3.03 | - | 24 |
| LED wall lights | | | | | | |
| LWL013KPS | 10W PINNA up/downlight 380lm warm white 3000K anodised aluminium IP54  | EA | \$137.04 | \$13.70 | - | 24 |
| LWL023KPS | 7.5W KYRA up/downlight 430lm warm white 3000K anodised aluminium IP54  | EA | \$177.47 | \$17.75 | - | 24 |
| LWL033KWE | 7.5W DIAMA up/downlight 520lm warm white 3000K white indoor  | EA | \$177.47 | \$17.75 | - | 12 |
| LWL053KWE | 8.3W KORA up/downlight 335lm warm white 3000K white indoor   | EA | \$162.88 | \$16.29 | - | 24 |
| LWL063KPS | 7W MIKA up/downlight 350lm warm white 3000K anodised aluminium IP54   | EA | \$177.47 | \$17.75 | - | 12 |
| LED pendant lights | | | | | | |
| LPD013KBL | 7W CYLLA pendant 560lm warm white 3000K die-cast aluminium black   | EA | \$159.00 | \$15.90 | - | 12 |
| LPD013KPS | 7W CYLLA pendant 560lm warm white 3000K die-cast aluminium silver   | EA | \$159.00 | \$15.90 | - | 12 |
| LPD013KWE | 7W CYLLA pendant 560lm warm white 3000K die-cast aluminium white   | EA | \$159.00 | \$15.90 | - | 12 |
| LPD023KWE | 8W CERSI pendant 8W CERSI pendant 570lm warm white 3000K die-cast aluminium white   | EA | \$162.00 | \$16.20 | - | 6 |
| LPD033KPS | 8W PENDI pendant 8W CERSI pendant 320lm warm white 3000K die-cast aluminium silver   | EA | \$190.00 | \$19.00 | - | 6 |



Insulation Contact (IC) recessed luminaire - building insulation that can be continuously exposed to 90°C, can safely abut and cover the luminaire



Insulation Contact - Fire Resistant (IC-F) recessed luminaire - building insulation that can be continuously exposed to 90°C can safely abut and cover the luminaire. Additionally, IC-F rated downlights have to pass a 1mm probe test i.e. a 1mm diameter probe cannot enter any part of the luminaire and in effect no insulation or any other material can enter the fitting.



New product



Energy Saving products



More info available. See technical pages



Coming soon



Product to be discontinued

Whilst most items are stock lines some products are made to order. UoM = Unit Of Measure. Prices are effective 1 June 2017 and are subject to change without notice. Trade prices exclude GST.

Lighting & sensors

LED Fixtures



LBL014KWE



LFS0316WBL



LFS0130WBL



LSS0112WBL



LWK0130WBL



LWK0240WBL

| Cat.Nos | | | UoM | Trade price \$ | GST \$ | Box qty | Carton qty |
|-------------------------|---|--|-----|----------------|---------|---------|------------|
| LED bunker light | | | | | | | |
| LBL014KWE | 12W OROYA 870lm cool white 4000K white Ø270mm IP65 | | EA | \$110.45 | \$11.04 | - | - |
| LED floodlights | | | | | | | |
| LFS013KBL | 28W 2200lm Twin PAR38 with PIR sensor warm white 3000K IP44 black | | EA | \$109.11 | \$10.91 | - | 10 |
| LSS0209WBL | 9W 990lm MAXIS with PIR sensor cool white 4000K IP44 black | | EA | \$82.32 | \$8.23 | - | 8 |
| LFL0213WBL | 13W 1100lm BAKRA cool white 4000K IP44 black | | EA | \$82.32 | \$8.23 | - | 10 |
| LFS0214WBL | 14W 1100lm BAKRA with PIR sensor cool white 4000K IP44 black | | EA | \$113.58 | \$11.36 | - | 6 |
| LFS0316WBL | 16W 1700lm TORAN with PIR sensor cool white 4000K IP44 black | | EA | \$130.25 | \$13.02 | - | 4 |
| LFL0110WBL | 10W 730lm FORTA cool white 4000K IP44 black | | EA | \$61.67 | \$6.17 | - | 12 |
| LFL0120WBL | 20W 1615lm FORTA cool white 4000K IP44 black | | EA | \$100.98 | \$10.10 | - | 6 |
| LFL0130WBL | 30W 2250lm FORTA cool white 4000K IP44 black | | EA | \$151.53 | \$15.15 | - | 4 |
| LFL0140WBL | 40W 3000lm FORTA cool white 4000K IP44 black | | EA | \$179.61 | \$17.96 | - | 4 |
| LFS0110WBL | 10W 730lm FORTA with PIR sensor cool white 4000K IP44 black | | EA | \$72.94 | \$7.29 | - | 12 |
| LFS0130WBL | 30W 2250lm FORTA with PIR sensor cool white 4000K IP44 black | | EA | \$129.21 | \$12.92 | - | 2 |
| LSP0112WBL | 12W 1070lm SIKA cool white 4000K IP44 black | | EA | \$77.11 | \$7.71 | - | 6 |
| LSP0125WBL | 25W 2200lm SIKA cool white 4000K IP44 black | | EA | \$122.96 | \$12.30 | - | 6 |
| LSS0112WBL | 12W 1070lm SIKA with PIR sensor cool white 4000K IP44 black | | EA | \$97.95 | \$9.80 | - | 6 |
| LSS0125WBL | 25W 2200lm SIKA with PIR sensor cool white 4000K IP44 black | | EA | \$144.84 | \$14.48 | - | 6 |
| LED worklights | | | | | | | |
| Portable | | | | | | | |
| LWK0110WBL | 10W 730lm FORTA cool white 4000K IP44 black | | EA | \$71.90 | \$7.19 | - | 8 |
| LWK0120WBL | 20W 1615lm FORTA cool white 4000K IP44 black | | EA | \$103.16 | \$10.32 | - | 8 |
| LWK0130WBL | 30W 2250lm FORTA cool white 4000K IP44 black | | EA | \$134.42 | \$13.44 | - | 4 |
| Tripod | | | | | | | |
| LWK0220WBL | 2x10W 1460lm FORTA cool white 4000K IP44 black | | EA | \$181.31 | \$18.13 | - | 2 |
| LWK0240WBL | 2x20W 3230lm FORTA cool white 4000K IP44 black | | EA | \$243.83 | \$24.38 | - | 2 |



New product



Energy Saving products



More info available. See technical pages



Coming soon



Product to be discontinued

Lighting & sensors

Fixtures



MALC515



MALC515BCMCKT



MGU317WHMCK

| Cat.Nos | Halogen downlights - Nelson* | UoM | Trade price \$ | GST \$ | Box qty | Carton qty |
|--|---|-----|----------------|---------|---------|------------|
| MR16 fixed | | | | | | |
| MALC317 | 35W white 70mm cut-out no lamp | EA | \$11.65 | \$1.16 | - | 60 |
| MALC317BC | 35W brushed chrome 70mm cut-out no lamp | EA | \$12.49 | \$1.25 | - | 60 |
| MK317WH35 | 35W white 70mm cut-out | EA | \$20.21 | \$2.02 | - | 50 |
| MK317BC35 | 35W brushed chrome 70mm cut-out | EA | \$22.76 | \$2.28 | - | 50 |
| MALC317BCMC | 35W brushed chrome 70mm cut-out with mesh cover | EA | \$32.86 | \$3.29 | - | 24 |
| MR16 Gimble | | | | | | |
| MALC515 | 35W white 90mm cut-out no lamp | EA | \$14.54 | \$1.45 | - | 60 |
| MALC515BC | 35W brushed chrome 90mm cut-out no lamp | EA | \$17.12 | \$1.71 | - | 60 |
| MK515WH35 | 35W white 90mm cut-out | EA | \$22.76 | \$2.28 | - | 50 |
| MK515BC35 | 35W brushed chrome 90mm cut-out | EA | \$25.28 | \$2.53 | - | 50 |
| MALC515WHMC | 35W white 90mm cut-out with mesh cover | EA | \$32.86 | \$3.29 | - | 24 |
| GU10 fixed | | | | | | |
| MGU317WHMCK | 50W white 70mm cut-out with mesh cover | EA | \$22.53 | \$2.25 | - | 24 |
| MGU317BCMCK | 50W brushed chrome 70mm cut-out with mesh cover | EA | \$25.28 | \$2.53 | - | 24 |
| MGU317WHMCKT | 50W white 70mm cut-out with mesh cover 10 pack | EA | \$204.74 | \$20.47 | - | 4 |
| MGU317BCMCKT | 50W brushed chrome 70mm cut-out with mesh cover 10 pack | EA | \$227.50 | \$22.75 | - | 4 |
| GU10 Gimble | | | | | | |
| MGU515WHMCK | 50W white 90mm cut-out with mesh cover | EA | \$25.28 | \$2.53 | - | 24 |
| MGU515BCMCK | 50W brushed chrome 90mm cut-out with mesh cover | EA | \$27.80 | \$2.78 | - | 24 |
| MGU515BCMCKT | 50W brushed chrome 90mm cut-out with mesh cover 10 pack | EA | \$250.25 | \$25.02 | - | 4 |
| Halogen downlights with movement sensor | | | | | | |
| MPES700K35 | 35W MR16 white 100mm cut-out | EA | \$148.56 | \$14.86 | - | 10 |
| MPES701 | 50W GU10 white 100mm cut-out | EA | \$85.18 | \$8.52 | - | 20 |

*For halogen downlight accessories see page 320.



New product



Energy Saving products



More info available.
See technical pages



Coming soon



Product to be discontinued

Whilst most items are stock lines some products are made to order. UoM = Unit Of Measure.
Prices are effective 1 June 2017 and are subject to change without notice. Trade prices exclude GST.

Lighting & sensors

Fixtures



MALC113



MPES69BVP



R605/3



R605/5



MPES39G9

| Cat.Nos | | UoM | Trade price \$ | GST \$ | Box qty | Carton qty |
|--|---|-----|----------------|---------|---------|------------|
| CFL downlights - Nelson | | | | | | |
| MALC6WH | 15W cool white 4000K white 110mm cut-out dimmable | EA | \$54.81 | \$5.48 | - | 30 |
| MALC7WH | 20W cool white 4000K white 130mm cut-out dimmable | EA | \$60.80 | \$6.08 | - | 30 |
| Outdoor floodlights | | | | | | |
| Incandescent floodlights | | | | | | |
| MP38PERMF | 150W single floodlight PAR38 IP44 black | EA | \$27.32 | \$2.73 | - | 16 |
| MP38CL | 150W single portable floodlight PAR38 with clamp IP44 black | EA | \$32.44 | \$3.24 | - | 20 |
| MP38PF | 150W single floodlight PAR38 with flex & plug IP44 black | EA | \$30.01 | \$3.00 | - | 16 |
| MALC113 | Twin floodlight PAR38 IP44 black lamps not supplied | EA | \$37.29 | \$3.73 | - | 20 |
| MPES69 | Twin floodlight PAR38 with PIR sensor manual override IP44 lamps not supplied black | EA | \$69.04 | \$6.90 | - | 20 |
| MPES69BVP | 300W twin floodlight PAR38 with PIR sensor manual override IP44 black | EA | \$68.31 | \$6.83 | - | 8 |
| MALC113VP | 300W twin floodlight PAR38 IP44 black | EA | \$36.15 | \$3.62 | - | 10 |
| MPES69DIY | DIY twin floodlight PAR38 with PIR sensor manual override IP44 lamps not supplied black | EA | \$67.32 | \$6.73 | - | 20 |
| MPES69BWP | Twin floodlight PAR38 with PIR sensor manual override IP65 lamps not supplied black | EA | \$69.70 | \$6.97 | - | 20 |
| MPES69WWP | Twin floodlight PAR38 with PIR sensor manual override IP65 lamps not supplied white | EA | \$82.85 | \$8.28 | - | 20 |
| Incandescent floodlights - Nelson | | | | | | |
| MPES39B | 150W PIR wall manual override 180° scan 12m range IP44 black | EA | \$43.14 | \$4.31 | - | 20 |
| MPES39BWP | 150W PIR wall manual override 180° scan 12m range IP44 black | EA | \$72.49 | \$7.25 | - | 20 |
| Halogen floodlights | | | | | | |
| R605/3 | 150W floodlight IP44 white | EA | \$42.16 | \$4.22 | - | 20 |
| R605/4 | 500W floodlight IP44 silver | EA | \$57.05 | \$5.70 | - | 12 |
| R605/5 | 150W floodlight with PIR sensor manual override IP44 white | EA | \$87.06 | \$8.71 | - | 6 |
| R605/6 | 500W floodlight with PIR sensor manual override IP44 white | EA | \$104.44 | \$10.44 | - | 6 |
| Halogen floodlights - Nelson | | | | | | |
| MPES39G9 | 100W motion sensor PIR black IP44 wall manual override 180° scan 12m range | EA | \$76.81 | \$7.68 | - | 16 |
| MALC113G9 | 200W Twin G9 floodlight IP44 black | EA | \$56.94 | \$5.69 | - | 20 |
| MALC113G9SI | 200W Twin G9 floodlight IP44 silver | EA | \$56.94 | \$5.69 | - | 16 |
| MALC113G9W | 200W Twin G9 floodlight IP44 white | EA | \$56.94 | \$5.69 | - | 16 |
| MPES69G9 | 200W Twin G9 floodlight with PIR sensor manual override IP44 black | EA | \$94.24 | \$9.42 | - | 16 |
| MPES69G9SI | 200W Twin G9 floodlight with PIR sensor manual override IP44 silver | EA | \$94.24 | \$9.42 | - | 16 |
| MPES69G9W | 200W Twin G9 floodlight with PIR sensor manual override IP44 white | EA | \$94.24 | \$9.42 | - | 16 |
| NUF400M | 400W metal halide floodlight IP65 black | EA | \$879.90 | \$87.99 | - | - |
| MALC115 | 1500W floodlight heavy duty IP55 black | EA | \$189.90 | \$18.99 | - | 6 |

Lighting & sensors

Fixtures



AJ236HT



ASL118H



M5FD228



MT82T51X28

| Cat.Nos | Fluorescent battens - Nelson | UoM | Trade price \$ | GST \$ | Box qty | Carton qty |
|------------|---|-----|----------------|---------|---------|------------|
| | T8 | | | | | |
| AJ218HT | Battens T8 Jupiter 2 x 18W natural white 5000K white | EA | \$199.53 | \$19.95 | - | - |
| AJ236HT | Battens T8 Jupiter 2 x 36W natural white 5000K white | EA | \$299.28 | \$29.93 | - | - |
| ASL118H | Battens T8 slimline 18W natural white 5000K aluminium | EA | \$162.96 | \$16.30 | - | - |
| ASL136H | Battens T8 slimline 36W natural white 5000K aluminium | EA | \$191.22 | \$19.12 | - | - |
| | T5 | | | | | |
| M5F114 | Battens T5 slimline 14W cool white 4000K white | EA | \$64.06 | \$6.41 | - | 12 |
| M5F128 | Battens T5 slimline 28W cool white 4000K white | EA | \$101.40 | \$10.14 | - | 12 |
| M5F228 | Battens T5 slimline 2 x 28W cool white 4000K white | EA | \$121.01 | \$12.10 | - | 12 |
| M5FD128 | Battens T5 slimline 28W cool white 4000K white | EA | \$114.51 | \$11.45 | - | 8 |
| M5FD214 | Battens T5 slimline 2 x 14W cool white 4000K white | EA | \$135.70 | \$13.57 | - | 6 |
| M5FD228 | Battens T5 slimline 2 x 18W cool white 4000K white | EA | \$139.87 | \$13.99 | - | 6 |
| M5FK228-12 | Battens T5 K12 2 x 18W cool white 4000K white | EA | \$183.56 | \$18.36 | - | 2 |
| NWP4228 | Battens T5 WP IP65 2 x 28W natural white 5000K grey | EA | \$174.24 | \$17.42 | - | 4 |
| ASH108E | Mini-batten T5 silhouette 8W natural white 5000K | EA | \$126.38 | \$12.64 | - | - |
| ASH113EPBS | Mini-batten T5 silhouette 13W natural white 5000K | EA | \$142.99 | \$14.30 | - | - |
| | Accessories | | | | | |
| MT82T51X28 | Adaptor T8 to T5 28W warm white 4000K white | EA | \$52.40 | \$5.24 | - | 30 |
| MSL40C | Clear sleeve for T8 fluorescent tubes 4'-1,200mm | EA | \$25.55 | \$2.56 | - | - |



New product



Energy Saving products



More info available.
See technical pages



Coming soon



Product to be discontinued

Whilst most items are stock lines some products are made to order. UoM = Unit Of Measure.
Prices are effective 1 June 2017 and are subject to change without notice. Trade prices exclude GST.

Lighting & sensors

Fixtures



AC60BL



MRT5YA22



AODR60SS



MPES40BL

| Cat.Nos | | UoM | Trade price \$ | GST \$ | Box qty | Carton qty |
|---|---|-----|----------------|---------|---------|------------|
| Fluorescent wall lights - Nelson | | | | | | |
| AC60WH | 60W bunker lights Coogee white | EA | \$64.83 | \$6.48 | - | - |
| Fluorescent oyster lights - Nelson | | | | | | |
| MRT5YA22 | 22W T5 slimline cool white 4000K Ø295mm white | EA | \$87.99 | \$8.80 | - | 8 |
| AZ22 | 22W Z series natural white 4300K Ø310mm white | EA | \$106.41 | \$10.64 | - | - |
| MRT5YA32 | 32W T5 slimline cool white 4000K Ø340mm white | EA | \$91.68 | \$9.17 | - | 8 |
| MRT5YA32IP | 32W IP65 T5 slimline cool white 4000K Ø349mm beige | EA | \$143.68 | \$14.37 | - | 6 |
| AZSW32T | 32W Z series natural white 4300K Ø360mm white | EA | \$133.02 | \$13.30 | - | - |
| MRT5YA40 | 40W T5 slimline cool white 4000K Ø395mm white | EA | \$113.48 | \$11.35 | - | 6 |
| AZ40 | 40W Z series natural white 5000K Ø460mm white | EA | \$141.32 | \$14.13 | - | - |
| MPES760 | 60W PIR ceiling man. over. 100° scan 7m rg plastic white | EA | \$90.42 | \$9.04 | - | 6 |
| MPES761 | 60W PIR ceiling man. over. 100° scan 7m rg plastic white | EA | \$90.49 | \$9.05 | - | 4 |
| Fluorescent bunker lights - Nelson | | | | | | |
| AODR60BL | 60W outdoor round black Ø260mm | EA | \$60.73 | \$6.07 | - | 10 |
| AODR60SS | 60W outdoor round satin silver Ø260mm | EA | \$65.07 | \$6.51 | - | 10 |
| AODR60WH | 60W outdoor round white Ø260mm | EA | \$60.73 | \$6.07 | - | 10 |
| Coachlight - Nelson | | | | | | |
| MPES40BL | 75W PIR IP33 wall manual override 110° scan 12m range black | EA | \$68.87 | \$6.89 | - | 6 |
| MPES40GR | 75W PIR IP33 wall manual override 110° scan 12m range green | EA | \$68.87 | \$6.89 | - | 6 |
| MPES40WH | 75W PIR IP33 wall manual override 110° scan 12m range white | EA | \$68.87 | \$6.89 | - | 6 |



New product



Energy Saving products



More info available. See technical pages



Coming soon



Product to be discontinued

Lighting & sensors

LED lamps



LPAR38013K



LR80014K



LR80023K



LED00114



LED00113



LA60013KBC

| Cat.Nos | | | UoM | Trade price \$ | GST \$ | Box qty | Carton qty |
|--------------------------------------|---|--|-----|----------------|--------|---------|------------|
| LED A60 dimmable | | | | | | | |
| LA60023KESD | 8W dimmable 875lm warm white 3000K Edison E27 | | EA | \$19.80 | \$1.98 | - | - |
| LA60023KBCD | 8W dimmable 875lm warm white 3000K bayonet B22 | | EA | \$19.80 | \$1.98 | - | - |
| LED A60 non-dimmable | | | | | | | |
| Edison E27 | | | | | | | |
| LA60013KES | 5W 490lm warm white 3000K | | EA | \$14.80 | \$1.48 | 10 | 150 |
| LA60014KES | 5W 550lm cool white 4000K | | EA | \$14.80 | \$1.48 | 10 | 150 |
| LA60023KES | 8W 945lm warm white 3000K | | EA | \$17.61 | \$1.76 | 10 | 150 |
| LA60024KES | 8W 1035lm cool white 4000K | | EA | \$17.61 | \$1.76 | 10 | 150 |
| Bayonet B22 | | | | | | | |
| LA60013KBC | 5W 490lm warm white 3000K | | EA | \$14.80 | \$1.48 | 10 | 150 |
| LA60014KBC | 5W 550lm cool white 4000K | | EA | \$14.80 | \$1.48 | 10 | 150 |
| LA60023KBC | 8W 945lm warm white 3000K | | EA | \$17.61 | \$1.76 | 10 | 150 |
| LA60024KBC | 8W 1035lm cool white 4000K | | EA | \$17.61 | \$1.76 | 10 | 150 |
| LED A60 filament non-dimmable | | | | | | | |
| LA6001FILES | 3.7W 500lm warm white 3000K Edison E27 | | EA | \$16.15 | \$1.62 | - | - |
| LA6001FILBC | 3.7W 500lm warm white 3000K bayonet B22 | | EA | \$16.15 | \$1.62 | - | - |
| LED A60 Insect | | | | | | | |
| LA6001BUGES | 5W 460lm yellow light Edison E27 | | EA | \$26.05 | \$2.60 | - | - |
| LA6001BUGBC | 5W 460lm yellow light bayonet B22 | | EA | \$26.05 | \$2.60 | - | - |
| LED PAR38 | | | | | | | |
| LPAR38013K | 14W E27 1100lm warm white 3000K | | EA | \$40.89 | \$4.09 | - | 12 |
| LED R80 | | | | | | | |
| LR80014K | 7W E27 600lm cool white 4000K short neck for instant heat units | | EA | \$35.43 | \$3.54 | 12 | 108 |
| LR80023K | 7W E27 580lm warm white 3000K | | EA | \$29.07 | \$2.91 | 10 | 60 |
| LR80024K | 7W E27 700lm cool white 4000K | | EA | \$29.07 | \$2.91 | 10 | 60 |
| LED GU10 | | | | | | | |
| LGU10013K | GU10 5W 460lm (warm) | | EA | \$11.98 | \$1.20 | 10 | 100 |
| LGU10014K | GU10 5W 500lm (warm) | | EA | \$11.98 | \$1.20 | 10 | 100 |



New product



Energy Saving products



More info available. See technical pages



Coming soon



Product to be discontinued

Whilst most items are stock lines some products are made to order. UoM = Unit Of Measure. Prices are effective 1 June 2017 and are subject to change without notice. Trade prices exclude GST.

Lighting & sensors

Insect killer and CFL lamps



MBIK40



MELTG9BC



MELTG11ES



MELQAL11ES

| Cat.Nos | Electrozap insect killer - Nelson | UoM | Trade price \$ | GST \$ | Box qty | Carton qty |
|---------------------------------|--|-----|----------------|---------|---------|------------|
| MBIK40 | Insect killer Electrozap fluorescent 40W white | EA | \$718.24 | \$71.82 | - | - |
| IZBRA | Pair of wall brackets for Electrozap fixtures | EA | \$32.56 | \$3.26 | - | - |
| IZSPM | Sticky pad for Electrozap fixtures | EA | \$16.31 | \$1.63 | - | - |
| IZTRAY | Catch tray for Electrozap fixtures | EA | \$42.76 | \$4.28 | - | - |
| CFL triple tube - Nelson | | | | | | |
| Edison E14 | | | | | | |
| MELTG9SES | 9W E14 warm white 3000K 6000h | EA | \$11.57 | \$1.16 | - | 50 |
| Edison E27 | | | | | | |
| MELTG9ES | 9W E27 warm white 3000K 6000h | EA | \$11.57 | \$1.16 | - | 50 |
| MELTG9ESN | 9W E27 natural white 5000K 6000h | EA | \$11.57 | \$1.16 | - | 50 |
| MELTG11ES | 11W E27 warm white 3000K 6000h | EA | \$11.57 | \$1.16 | - | 50 |
| MELTG11ESN | 11W E27 natural white 5000K 6000h | EA | \$11.57 | \$1.16 | - | 50 |
| MELTG15ES | 15W E27 warm white 3000K 6000h | EA | \$11.57 | \$1.16 | - | 50 |
| MELTG15ESN | 15W E27 natural white 5000K 6000h | EA | \$11.57 | \$1.16 | - | 50 |
| MELT28ESNS | 28W E27 natural white 5000K 6000h | EA | \$29.54 | \$2.95 | 10 | 50 |
| Bayonet B22 | | | | | | |
| MELTG9BC | 9W B22 warm white 3000K 6000h | EA | \$11.57 | \$1.16 | - | 50 |
| MELTG9BCN | 9W B22 natural white 5000K 6000h | EA | \$11.57 | \$1.16 | - | 50 |
| MELTG11BC | 11W B22 warm white 3000K 6000h | EA | \$11.57 | \$1.16 | - | 50 |
| MELTG11BCN | 11W B22 natural white 5000K 6000h | EA | \$11.57 | \$1.16 | - | 50 |
| MELTG15BC | 15W B22 warm white 3000K 6000h | EA | \$11.57 | \$1.16 | - | 50 |
| MELTG15BCN | 15W B22 natural white 5000K 6000h | EA | \$11.57 | \$1.16 | - | 50 |
| CFL quad tube - Nelson | | | | | | |
| Edison E27 | | | | | | |
| MELQAL11ES | 11W E27 warm white 3000K 6000h | EA | \$15.19 | \$1.52 | - | 50 |
| MELQAL11ESN | 11W E27 natural white 5000K 6000h | EA | \$15.19 | \$1.52 | - | 50 |
| MELQAL15ES | 15W E27 warm white 3000K 6000h | EA | \$15.95 | \$1.60 | - | 50 |
| MELQAL15ESN | 15W E27 natural white 5000K 6000h | EA | \$15.95 | \$1.60 | - | 50 |
| MELQAL20ES | 20W E27 warm white 3000K 6000h | EA | \$16.46 | \$1.65 | 20 | 100 |
| MELQAL20ESN | 20W E27 natural white 5000K 6000h | EA | \$16.46 | \$1.65 | 20 | 100 |
| MELQ48ESNS | 48W E27 natural white 5000K 6000h | EA | \$57.45 | \$5.74 | - | 25 |



New product



Energy Saving products



More info available.
See technical pages



Coming soon



Product to be discontinued

Lighting & sensors

CFL lamps



MELQAL11BC



MELSD20ESN



MELTS20BCNS



MELSBUG20ES



MELS20BLKES

| Cat.Nos | | UoM | Trade price \$ | GST \$ | Box qty | Carton qty |
|--|--|-----|----------------|--------|---------|------------|
| CFL quad tube - Nelson | | | | | | |
| Bayonet B22 | | | | | | |
| MELQAL11BC | 11W B22 warm white 3000K 6000h ✕ | EA | \$15.19 | \$1.52 | - | 50 |
| MELQAL11BCN | 11W B22 natural white 5000K 6000h | EA | \$15.19 | \$1.52 | - | 50 |
| MELQAL15BC | 15W B22 warm white 3000K 6000h | EA | \$15.95 | \$1.60 | - | 50 |
| MELQAL15BCN | 15W B22 natural white 5000K 6000h | EA | \$15.95 | \$1.60 | - | 50 |
| MELQAL20BCN | 20W B22 natural white 5000K 6000h | EA | \$16.46 | \$1.65 | 20 | 100 |
| MELQ48BCNS | 48W B22 natural white 5000K 6000h | EA | \$57.45 | \$5.74 | - | 25 |
| CFL spiral - Nelson | | | | | | |
| Edison E27 | | | | | | |
| MELSD15ES | 15W E27 warm white 3000K dimmable | EA | \$20.78 | \$2.08 | 20 | 100 |
| MELSD20ES | 20W E27 warm white 3000K 10000h dimmable | EA | \$23.10 | \$2.31 | 20 | 100 |
| MELSD20ESN | 20W E27 natural white 5000K 10000h dimmable | EA | \$23.10 | \$2.31 | 20 | 100 |
| MELTS20ESNS | 20W E27 natural white 5000K 6000h spherical ✕ | EA | \$31.13 | \$3.11 | - | 20 |
| MELTS20ESS | 20W E27 warm white 3000K 6000h spherical | EA | \$31.13 | \$3.11 | - | 20 |
| MELS105GESCW | 105W E27 cool white 4000K 6000h | EA | \$93.53 | \$9.35 | - | 10 |
| Bayonet B22 | | | | | | |
| MELTS20BCS | 20W B22 warm white 3000K 6000h | EA | \$31.13 | \$3.11 | - | 20 |
| MELTS20BCNS | 20W B22 natural white 5000K 6000h ✕ | EA | \$31.13 | \$3.11 | - | 20 |
| MELSD20BC | 20W B22 warm white 3000K 10000h dimmable ✕ | EA | \$23.10 | \$2.31 | 20 | 100 |
| CFL anti insect - Nelson | | | | | | |
| MELSBUG20ES | 20W E27 yellow 5000K 6000h | EA | \$30.21 | \$3.02 | - | 25 |
| MELSBUG20BC | 20W B22 yellow 5000K 6000h | EA | \$30.21 | \$3.02 | - | 25 |
| CFL party light ultra violet - Nelson | | | | | | |
| MELS20BLKES | 20W E27 black ultra violet 5000K 6000h | EA | \$30.21 | \$3.02 | 4 | 40 |
| MELS20BLKBC | 20W B22 black ultra violet 5000K 6000h | EA | \$30.21 | \$3.02 | 4 | 40 |



New product



Energy Saving products



More info available. See technical pages



Coming soon



Product to be discontinued

Whilst most items are stock lines some products are made to order. UoM = Unit Of Measure. Prices are effective 1 June 2017 and are subject to change without notice. Trade prices exclude GST.

Lighting & sensors

CFL and fluorescent T5 lamps



MELTR8011ESF



MELMR11ESNS



M5R22CC



M5T14CC

| Cat.Nos | | UoM | Trade price \$ | GST \$ | Box qty | Carton qty |
|--------------------------------------|--|-----|----------------|--------|---------|------------|
| CFL T2 - Nelson | | | | | | |
| Edison E27 | | | | | | |
| MELST211ESN | 11W E27 natural white 5000K 8000h twister tube | EA | \$9.47 | \$0.95 | - | 100 |
| MELST215ES | 15W E27 warm white 3000K 8000h twister tube | EA | \$11.52 | \$1.15 | 20 | 100 |
| MELST215ESN | 15W E27 natural white 5000K 8000h twister tube | EA | \$11.52 | \$1.15 | 20 | 100 |
| Bayonet B22 | | | | | | |
| MELST215BC | 15W B22 warm white 3000K 8000h twister tube | EA | \$11.52 | \$1.15 | 20 | 100 |
| MELST215BCN | 15W B22 natural white 5000K 8000h twister tube | EA | \$11.52 | \$1.15 | 20 | 100 |
| CFL R80 - Nelson | | | | | | |
| MELMR11ESNS | 11W E27 natural white 5000K 6000h | EA | \$22.11 | \$2.21 | - | 50 |
| Fluorescent T5 lamps - Nelson | | | | | | |
| Straight | | | | | | |
| M5T14CC | 14W cool white 4000K 549mm 12000h | EA | \$19.68 | \$1.97 | - | 50 |
| M5T14LC | 14W warm white 3000K 549mm 12000h | EA | \$19.68 | \$1.97 | - | 50 |
| M5T14NC | 14W natural white 5000K 549mm 12000h | EA | \$19.68 | \$1.97 | - | 50 |
| M5T21CC | 21W cool white 4000K 549mm 12000h | EA | \$19.68 | \$1.97 | - | 50 |
| M5T28CC | 28W cool white 4000K 549mm 20000h | EA | \$22.09 | \$2.21 | - | 50 |
| M5T28NC | 28W natural white 5000K 549mm 20000h | EA | \$22.09 | \$2.21 | - | 50 |
| M5T28D | 28W daylight white 6700K 549mm 20000h | EA | \$22.09 | \$2.21 | - | 50 |
| M5T35NC | 35W natural white 5000K 549mm 20000h | EA | \$28.11 | \$2.81 | - | 25 |
| Circular | | | | | | |
| M5R22CC | 22W cool white 4000K Ø180mm 16000h | EA | \$18.12 | \$1.81 | - | 40 |
| M5R22LC | 22W warm white 3000K Ø180mm 16000h | EA | \$18.12 | \$1.81 | - | 40 |
| M5R22NC | 22W natural white 5000K Ø180mm 16000h | EA | \$18.12 | \$1.81 | - | 40 |
| M5R32CC | 32W cool white 4000K Ø180mm 16000h | EA | \$27.17 | \$2.72 | - | 20 |
| M5R32NC | 32W natural white 5000K Ø180mm 16000h | EA | \$27.36 | \$2.74 | - | 20 |
| M5R40CC | 40W cool white 4000K Ø180mm 16000h | EA | \$32.63 | \$3.26 | - | 30 |
| M5R40NC | 40W natural white 5000K Ø180mm 16000h | EA | \$32.63 | \$3.26 | - | 30 |



New product



Energy Saving products



More info available.
See technical pages



Coming soon



Product to be discontinued

Lighting & sensors

Fluorescent T8 lamps



MF30SSBR-HG



MR32CX



MRN32NX



MR40CX

| Cat.Nos | Fluorescent T8 lamps - Nelson/NEC | UoM | Trade price \$ | GST \$ | Box qty | Carton qty |
|--|--|-----|----------------|---------|---------|------------|
| Straight - yellow - Nelson | | | | | | |
| MCC18Y | 18W yellow 7000h | EA | \$17.54 | \$1.75 | - | 25 |
| MCC36Y | 36W yellow 10000h | EA | \$23.37 | \$2.34 | - | 25 |
| Straight - plant/aquarium - NEC | | | | | | |
| MF30SSBR-HG | 30W plant/aquarium 9000h x | EA | \$26.10 | \$2.61 | - | 25 |
| MF40SSBR-HG | 40W plant/aquarium 20000h x | EA | \$42.27 | \$4.23 | - | 25 |
| Straight - meat/pink - NEC | | | | | | |
| MG30HG | 30W meat/pink 9000h | EA | \$27.22 | \$2.72 | - | 25 |
| MG40HG | 37W meat/pink 20000h | EA | \$32.53 | \$3.25 | - | 25 |
| MG58HG | 58W meat/pink 20000h | EA | \$44.66 | \$4.47 | - | 25 |
| Straight battens - black/insect - NEC | | | | | | |
| MI15 | 15W black/insect 2.1uva 7500h | EA | \$16.46 | \$1.65 | 25 | 200 |
| MI20 | 20W black/insect 5uva 9000h | EA | \$20.81 | \$2.08 | - | 25 |
| MI40 | 40W black/insect 8uva 20000h | EA | \$36.13 | \$3.61 | - | 25 |
| Straight - blue - NEC | | | | | | |
| MJ40 | 40W blue 7.4uva 20000h | EA | \$118.95 | \$11.90 | 10 | 40 |
| Fluorescent T9 lamps - Nelson/NEC | | | | | | |
| Circular - Nelson | | | | | | |
| MRN22 | 22W natural white 5000K 9000h | EA | \$14.50 | \$1.45 | - | 20 |
| MRN32 | 32W natural white 5000K 9000h | EA | \$21.58 | \$2.16 | - | 20 |
| Circular - NEC | | | | | | |
| MRN22CX | 22W cool white 4000K 9000h quad phosphor | EA | \$12.76 | \$1.28 | - | 12 |
| MR20CX | 22W cool white 4200K 9000h quad phosphor | EA | \$29.00 | \$2.90 | - | 12 |
| MR20X | 22W natural white 5000K 9000h quad phosphor | EA | \$29.00 | \$2.90 | - | 12 |
| MU22 | 22W daylight white 6500K 9000h x | EA | \$23.43 | \$2.34 | - | 20 |
| MRN32CX | 32W cool white 4000K 9000h quad phosphor | EA | \$15.38 | \$1.54 | - | 12 |
| MR32CSG | 32W cool white 4200K 9000h | EA | \$37.43 | \$3.74 | - | 20 |
| MR32CX | 32W cool white 4200K 9000h quad phosphor | EA | \$29.93 | \$2.99 | - | 12 |
| MR32SG | 32W natural white 5000K 9000h | EA | \$37.43 | \$3.74 | - | 20 |
| MR32X | 32W natural white 5000K 9000h quad phosphor | EA | \$29.93 | \$2.99 | - | 12 |
| MRN32NX | 32W natural white 5000K 9000h quad phosphor | EA | \$15.38 | \$1.54 | - | 12 |
| MR32LX | 32W warm white 3000K 9000h quad phosphor x | EA | \$29.93 | \$2.99 | - | 20 |
| MRN32LX | 32W warm white 3000K 9000h quad phosphor | EA | \$15.38 | \$1.54 | - | 12 |
| MR40CX | 40W cool white 4200K 9000h quad phosphor | EA | \$48.04 | \$4.80 | - | 12 |



New product



Energy Saving products



More info available. See technical pages



Coming soon



Product to be discontinued

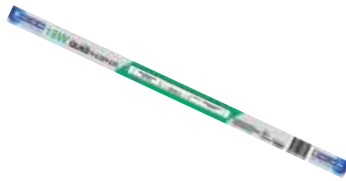
Whilst most items are stock lines some products are made to order. UoM = Unit Of Measure. Prices are effective 1 June 2017 and are subject to change without notice. Trade prices exclude GST.

Lighting & sensors

Fluorescent T8 lamps



MC10



MT18CX



MT36N

| Cat.Nos | Fluorescent T8 lamps | UoM | Trade price \$ | GST \$ | Box qty | Carton qty |
|--------------------------|-------------------------------------|-----|----------------|--------|---------|------------|
| Straight - Nelson | | | | | | |
| MT18C | 18W cool white 4200K 12000h | EA | \$6.52 | \$0.65 | - | 25 |
| MT18D | 18W daylight white 6700K 12000h | EA | \$6.52 | \$0.65 | - | 25 |
| MT18NX | 18W natural white 5000K 9000h | EA | \$10.01 | \$1.00 | - | 25 |
| MT18LX | 18W warm white 3000K 9000h | EA | \$10.01 | \$1.00 | - | 25 |
| MT36C | 36W cool white 4200K 12000h | EA | \$8.90 | \$0.89 | - | 25 |
| MT36CX | 36W cool white quad fluoro | EA | \$12.44 | \$1.24 | - | 25 |
| MT36D | 36W daylight white 6700K 12000h | EA | \$8.90 | \$0.89 | - | 25 |
| MT36N | 36W natural white 5000K 12000h | EA | \$8.90 | \$0.89 | - | 25 |
| MT36NX | 36W natural white 5000K 7500h | EA | \$12.44 | \$1.24 | - | 25 |
| Straight - NEC | | | | | | |
| MC08 | 8W cool white 4200K 6000h | EA | \$6.92 | \$0.69 | 25 | 250 |
| MC10 | 10W cool white 4200K 6000h | EA | \$8.62 | \$0.86 | 25 | 200 |
| MT10HGX | 10W natural white 5000K 7500h | EA | \$15.36 | \$1.54 | 25 | 200 |
| MC13 | 13W cool white 4200K 7500h | EA | \$22.66 | \$2.27 | - | 25 |
| MT13HG | 13W natural white 5000K 7500h | EA | \$25.78 | \$2.58 | - | 25 |
| MC15 | 15W cool white 4200K 7500h | EA | \$7.89 | \$0.79 | - | 25 |
| MT15HGX | 15W natural white 5000K 7500h | EA | \$17.25 | \$1.72 | 25 | 200 |
| MT18CX | 18W cool white 4200K | EA | \$10.01 | \$1.00 | - | 25 |
| MC18S | 18W cool white 4200K 7500h | EA | \$8.98 | \$0.90 | - | 25 |
| MC18SDM | 18W cool white 4200K 9000h medical | EA | \$16.62 | \$1.66 | - | 25 |
| MT18CHGX | 18W cool white 4200K 9000h | EA | \$20.79 | \$2.08 | - | 25 |
| MT18HG | 18W natural white 5000K 9000h | EA | \$20.81 | \$2.08 | - | 25 |
| MT18HGX | 18W natural white 5000K 9000h | EA | \$20.79 | \$2.08 | - | 25 |
| MC37SDM | 37W cool white 4200K 20000h medical | EA | \$20.87 | \$2.09 | - | 25 |
| MT37CHGX | 37W cool white 4200K 20000h | EA | \$26.24 | \$2.62 | - | 25 |
| MT37DHG | 37W daylight white 6500K 20000h | EA | \$28.91 | \$2.89 | - | 25 |
| MT37DHGSP | 37W daylight white 6500K 20000h | EA | \$54.77 | \$5.48 | - | 25 |
| MT37HG | 37W natural white 5000K 20000h | EA | \$29.69 | \$2.97 | - | 25 |
| MT37HGSP | 37W natural white 5000K 20000h | EA | \$56.61 | \$5.66 | - | 25 |
| MT37HGX | 37W natural white 5000K 20000h | EA | \$26.24 | \$2.62 | - | 25 |



New product



Energy Saving products



More info available.
See technical pages



Coming soon



Product to be discontinued

Lighting & sensors

Fluorescent T8 and ehalogen lamps



MRN40



MNCAN28SESF



MNFRD28SESC



MNG933



MNGU1040

| Cat.Nos | Fluorescent T8 lamps - Nelson/NEC | UoM | Trade price \$ | GST \$ | Box qty | Carton qty |
|-------------|---|-----|----------------|--------|---------|------------|
| | Circular - Nelson | | | | | |
| MRN40 | 40W natural white 5000K 9000h | EA | \$25.87 | \$2.59 | - | 10 |
| | Circular - NEC | | | | | |
| MR40X | 40W natural white 5000K 9000h quad phosphor | EA | \$48.04 | \$4.80 | - | 12 |
| MRN40CX | 40W cool white 4000K 9000h quad phosphor | EA | \$27.12 | \$2.71 | - | 12 |
| MRN40NX | 40W natural white 5000K 9000h quad phosphor x | EA | \$27.12 | \$2.71 | - | 12 |
| | Ehalogen candle - Nelson | | | | | |
| | Edison E14/E27 | | | | | |
| MNCAN28SESF | 28W E14 frost warm white 2780K | EA | \$5.54 | \$0.55 | 10 | 100 |
| MNCAN28SESC | 28W E27 clear warm white 2780K | EA | \$5.47 | \$0.55 | 20 | 100 |
| MNCAN28ESF | 28W E27 frost warm white 2780K | EA | \$5.54 | \$0.55 | 10 | 100 |
| MNCAN28SESC | 28W E27 clear warm white 2780K | EA | \$5.47 | \$0.55 | 20 | 100 |
| | Bayonet B15/B22 | | | | | |
| MNCAN28SBCF | 28W B15 frost warm white 2780K | EA | \$5.54 | \$0.55 | 10 | 100 |
| MNCAN28BCC | 28W B22 clear warm white 2780K | EA | \$5.47 | \$0.55 | 20 | 100 |
| MNCAN28BCF | 28W B22 frost warm white 2780K | EA | \$5.54 | \$0.55 | 10 | 100 |
| MNCAN28SBCC | 28W B22 clear warm white 2780K | EA | \$5.47 | \$0.55 | 20 | 100 |
| | Ehalogen fancy round - Nelson | | | | | |
| | Edison E14/E27 | | | | | |
| MNFRD28SESC | 28W E14 clear warm white 2780K | EA | \$5.47 | \$0.55 | 10 | 100 |
| MNFRD28SESF | 28W E14 frost warm white 2780K | EA | \$5.54 | \$0.55 | 10 | 100 |
| MNFRD28SESC | 28W E27 clear warm white 2780K | EA | \$5.47 | \$0.55 | 10 | 100 |
| MNFRD28ESF | 28W E27 frost warm white 2780K | EA | \$5.54 | \$0.55 | 10 | 100 |
| | Bayonet B15/B22 | | | | | |
| MNFRD28SBCC | 28W B15 clear warm white 2780K | EA | \$5.47 | \$0.55 | 10 | 100 |
| MNFRD28SBCF | 28W B15 frost warm white 2780K | EA | \$5.54 | \$0.55 | 10 | 100 |
| MNFRD28BCC | 28W B22 clear warm white 2780K | EA | \$5.47 | \$0.55 | 10 | 100 |
| MNFRD28BCF | 28W B22 frost warm white 2780K | EA | \$5.54 | \$0.55 | 10 | 100 |
| | Ehalogen G9 | | | | | |
| MNG933 | 33W clear warm white 2780K | EA | \$7.60 | \$0.76 | 20 | 100 |
| MNG942 | 42W clear warm white 2780K | EA | \$7.60 | \$0.76 | 20 | 200 |
| | Ehalogen GU10 - Nelson | | | | | |
| MNGU1040 | 40W clear warm white 2780K | EA | \$9.17 | \$0.92 | 20 | 200 |



New product



Energy Saving products

More info available.
See technical pages

Coming soon



Product to be discontinued

Whilst most items are stock lines some products are made to order. UoM = Unit Of Measure.
Prices are effective 1 June 2017 and are subject to change without notice. Trade prices exclude GST.

Lighting & sensors

Ehalogen and halogen lamps



MNGLS28ESC



MNR6342



MJC20CDP



MAG9100F

| Cat.Nos | Ehalogen GLS - Nelson | UoM | Trade price \$ | GST \$ | Box qty | Carton qty |
|---|---|-----|----------------|--------|---------|------------|
| Edison E27 | | | | | | |
| MNGLS28ESC | 28W E27 clear warm white 2780K | EA | \$4.62 | \$0.46 | 10 | 100 |
| MNGLS28ESF | 28W E27 frost warm white 2780K | EA | \$4.69 | \$0.47 | 10 | 100 |
| MNGLS42ESC | 42W E27 clear warm white 2780K | EA | \$4.62 | \$0.46 | 10 | 100 |
| MNGLS42ESF | 42W E27 frost warm white 2780K | EA | \$4.69 | \$0.47 | 10 | 100 |
| MNGLS52ESC | 52W E27 clear warm white 2780K | EA | \$4.62 | \$0.46 | 10 | 100 |
| MNGLS52ESF | 52W E27 frost warm white 2780K | EA | \$4.69 | \$0.47 | 10 | 100 |
| MNGLS70ESC | 70W E27 clear warm white 2780K | EA | \$4.62 | \$0.46 | 10 | 100 |
| MNGLS70ESF | 70W E27 frost warm white 2780K | EA | \$4.69 | \$0.47 | 10 | 100 |
| Bayonet B22 | | | | | | |
| MNGLS28BCC | 28W B22 clear warm white 2780K | EA | \$4.62 | \$0.46 | 10 | 100 |
| MNGLS28BCF | 28W B22 frost warm white 2780K | EA | \$4.69 | \$0.47 | 10 | 100 |
| MNGLS42BCC | 42W B22 clear warm white 2780K | EA | \$4.62 | \$0.46 | 10 | 100 |
| MNGLS42BCC2P | 42W B22 clear warm white 2780K twin pack | EA | \$4.69 | \$0.47 | 20 | 60 |
| MNGLS42BCF | 42W B22 frost warm white 2780K | EA | \$4.62 | \$0.46 | 10 | 100 |
| MNGLS52BCC | 52W B22 clear warm white 2780K | EA | \$4.69 | \$0.47 | 10 | 100 |
| MNGLS52BCF | 52W B22 frost warm white 2780K | EA | \$4.62 | \$0.46 | 10 | 100 |
| MNGLS70BCC | 70W B22 clear warm white 2780K | EA | \$4.69 | \$0.47 | 10 | 100 |
| MNGLS70BCF | 70W B22 frost warm white 2780K | EA | \$4.47 | \$0.45 | 10 | 100 |
| Ehalogen R63 - Nelson | | | | | | |
| MNR6342 | 42W clear warm white 2780K | EA | \$6.34 | \$0.63 | 10 | 100 |
| Halogen G4 Bipin - Nelson | | | | | | |
| MJC1035 | 10W G4 clear warm white 3500K | EA | \$8.90 | \$0.89 | 20 | 200 |
| MJC2035 | 20W G4 clear warm white 3500K | EA | \$8.90 | \$0.89 | 20 | 200 |
| MJC20CDP | 20W G4 clear warm white 3500K twin pack | EA | \$14.50 | \$1.45 | 25 | 250 |
| MJC35CDP | 35W G4 clear warm white 3500K twin pack | EA | \$14.50 | \$1.45 | 25 | 250 |
| Halogen G9 lamps dimmable - Nelson | | | | | | |
| MAG940C | 40W clear warm white 3200K dimmable | EA | \$23.10 | \$2.31 | 10 | 200 |
| MAG940CX | 40W clear Xenon warm white 2900K dimmable | EA | \$25.87 | \$2.59 | 10 | 200 |
| MAG940F | 40W frost warm white 3000K dimmable | EA | \$23.10 | \$2.31 | 20 | 200 |
| MAG9100C | 100W clear warm white 3200K dimmable | EA | \$22.01 | \$2.20 | 20 | 200 |
| MAG9100F | 100W frost warm white 3000K dimmable | EA | \$22.01 | \$2.20 | 20 | 100 |



New product



Energy Saving products



More info available. See technical pages



Coming soon



Product to be discontinued

Lighting & sensors

Halogen lamps



MGU1040



MGU1040G



MAFTDBPB



MABABRPB



MABABYPB

| Cat.Nos | Halogen G9 lamps dimmable - Nelson | UoM | Trade price \$ | GST \$ | Box qty | Carton qty |
|------------------------------------|--|-----|----------------|--------|---------|------------|
| MAG940FX | 40W frost Xenon warm white 2900K dimmable ✕ | EA | \$25.87 | \$2.59 | 10 | 200 |
| MAG950C | 50W clear warm white 3200K dimmable | EA | \$23.10 | \$2.31 | 20 | 200 |
| MAG975C | 75W clear warm white 3200K dimmable | EA | \$23.10 | \$2.31 | 20 | 200 |
| MAG975F | 75W frost warm white 3000K dimmable ✕ | EA | \$23.10 | \$2.31 | 20 | 200 |
| Halogen GU10 lamps - Nelson | | | | | | |
| MGU1040 | 50W clear aluminium reflector ✕ | EA | \$14.32 | \$1.43 | 10 | 200 |
| MGU1040E | 50W clear aluminium reflector eco | EA | \$12.72 | \$1.27 | 10 | 100 |
| MGU1040G | 50W green aluminium reflector ✕ | EA | \$14.68 | \$1.47 | 10 | 200 |
| MGU1040R | 50W red aluminium reflector ✕ | EA | \$14.68 | \$1.47 | 10 | 200 |
| MGU1040Y | 50W yellow aluminium reflector ✕ | EA | \$14.68 | \$1.47 | 10 | 200 |
| Halogen MR8 lamps - Nelson | | | | | | |
| MAMR8CPB | 10W clear aluminium reflector | EA | \$11.27 | \$1.13 | 10 | 200 |
| MAMR820CPB | 20W clear aluminium reflector | EA | \$11.27 | \$1.13 | 10 | 200 |
| Halogen MR11 lamps - Nelson | | | | | | |
| MAFTD | 20W clear aluminium reflector ✕ | EA | \$11.38 | \$1.14 | 10 | 200 |
| MAFTDBPB | 20W blue aluminium reflector ✕ | EA | \$11.57 | \$1.16 | 10 | 200 |
| MAFTDCPB | 20W clear aluminium reflector | EA | \$10.88 | \$1.09 | 10 | 200 |
| MAFTDGPB | 20W green aluminium reflector ✕ | EA | \$11.57 | \$1.16 | 10 | 200 |
| MAFTDRPB | 20W red aluminium reflector | EA | \$11.57 | \$1.16 | 10 | 200 |
| MAFTDYPB | 20W yellow aluminium reflector ✕ | EA | \$11.57 | \$1.16 | 10 | 200 |
| MAFTECPB | 35W clear aluminium reflector ✕ | EA | \$10.88 | \$1.09 | 10 | 200 |
| Halogen MR16 lamps - Nelson | | | | | | |
| MATEN38CPB | 10W clear aluminium reflector | EA | \$9.26 | \$0.93 | 10 | 200 |
| MABABBPB | 20W blue aluminium reflector | EA | \$9.62 | \$0.96 | 10 | 200 |
| MABABCPB | 20W clear aluminium reflector | EA | \$9.26 | \$0.93 | 10 | 200 |
| MABABGPB | 20W green aluminium reflector | EA | \$9.62 | \$0.96 | 10 | 200 |
| MABABRPB | 20W red aluminium reflector | EA | \$9.62 | \$0.96 | 10 | 200 |
| MABABYPB | 20W yellow aluminium reflector | EA | \$9.62 | \$0.96 | 10 | 200 |



New product



Energy Saving products



More info available.
See technical pages



Coming soon



Product to be discontinued

Whilst most items are stock lines some products are made to order. UoM = Unit Of Measure.
Prices are effective 1 June 2017 and are subject to change without notice. Trade prices exclude GST.

Lighting & sensors

Halogen, tungsten halogen and incandescent lamps



MAFXNCPB



MQ1LC



MP2050



MXMUSHR60F

| Cat.Nos | | UoM | Trade price \$ | GST \$ | Box qty | Carton qty |
|---|---|-----|----------------|--------|---------|------------|
| Halogen MR16 lamps - Nelson | | | | | | |
| MAFTE | 35W clear aluminium reflector ✕ | EA | \$13.74 | \$1.37 | 10 | 200 |
| MAFXNBPB | 35W blue aluminium reflector | EA | \$9.62 | \$0.96 | 10 | 200 |
| MAFXNCPB | 35W clear aluminium reflector ✕ | EA | \$9.26 | \$0.93 | 10 | 200 |
| MAFMWCCPB | 35W clear aluminium reflector 60° beam angle ✕ | EA | \$9.26 | \$0.93 | 10 | 200 |
| MAWFLC4P | 35W clear aluminium reflector 4 pack ✕ | EA | \$15.73 | \$1.57 | - | 100 |
| MAFXNGPB | 35W green aluminium reflector ✕ | EA | \$9.62 | \$0.96 | 10 | 200 |
| MAFXNRPB | 35W red aluminium reflector | EA | \$9.62 | \$0.96 | 10 | 200 |
| MAFXNYPB | 35W yellow aluminium reflector | EA | \$9.62 | \$0.96 | 10 | 200 |
| MAFXTRBB | 35W blue/red/yellow | EA | \$13.43 | \$1.34 | 10 | 200 |
| MAFXTRBG | 35W blue/red/green | EA | \$13.43 | \$1.34 | 10 | 200 |
| MAFXTRBR | 35W blue/red/yellow | EA | \$13.43 | \$1.34 | 10 | 200 |
| Tungsten halogen R75 - Nelson | | | | | | |
| MQ1LC | 100W J type clear linear ✕ | EA | \$27.56 | \$2.76 | 50 | 500 |
| MQ01SDP | 150W J type clear linear twin pack | EA | \$16.77 | \$1.68 | 20 | 120 |
| MQ05C | 500W J type clear linear | EA | \$9.53 | \$0.95 | 50 | 500 |
| MQ05DP | 500W J type clear linear twin pack | EA | \$13.10 | \$1.31 | 20 | 120 |
| MQ05C6P | 500W J type clear linear 6 pack | EA | \$26.68 | \$2.67 | 20 | 80 |
| Halogen PAR20 - Nelson | | | | | | |
| MP2050 | 50W E27 | EA | \$13.87 | \$1.39 | - | 100 |
| Incandescent E27 mushroom lamps - Nelson | | | | | | |
| MXMUSHR60F | 60W E27 | EA | \$8.01 | \$0.80 | - | 100 |



New product



Energy Saving products



More info available.
See technical pages



Coming soon



Product to be discontinued

Lighting & sensors

Incandescent lamps



MP3880



MXR6340ES



MXR8060ES

| Cat.Nos | Incandescent PAR38 - Nelson | UoM | Trade price \$ | GST \$ | Box qty | Carton qty |
|--|------------------------------------|-----|----------------|--------|---------|------------|
| MP3880 | 80W E27 | EA | \$12.33 | \$1.23 | - | 24 |
| MP38120 | 120W E27 | EA | \$12.33 | \$1.23 | - | 24 |
| MP38 | 150W E27 | EA | \$12.33 | \$1.23 | - | 24 |
| MP38DB | 150W E27 twin pack | EA | \$23.75 | \$2.38 | - | 12 |
| Incandescent pilot lamps - Nelson | | | | | | |
| MXUP25BCC | 25W B22 clear | EA | \$4.32 | \$0.43 | - | 50 |
| MXUP25ESC | 25W E27 clear | EA | \$4.32 | \$0.43 | - | 50 |
| MXUP25SESC | 25W E14 clear | EA | \$4.32 | \$0.43 | 5 | 50 |
| Incandescent R63 - Nelson | | | | | | |
| MXR6340ES | 40W E27 clear | EA | \$4.27 | \$0.43 | - | 100 |
| MXR6360ES | 60W E27 clear | EA | \$4.27 | \$0.43 | - | 48 |
| Incandescent R80 lamps - Nelson | | | | | | |
| MXR80100ES | 100W E27 clear | EA | \$4.07 | \$0.41 | - | 100 |
| MXR8060ES | 60W E27 clear | EA | \$4.27 | \$0.43 | - | 50 |
| MXR8075ES | 75W E27 clear | EA | \$4.07 | \$0.41 | - | 50 |



New product



Energy Saving products



More info available.
See technical pages



Coming soon



Product to be discontinued

Whilst most items are stock lines some products are made to order. UoM = Unit Of Measure.
Prices are effective 1 June 2017 and are subject to change without notice. Trade prices exclude GST.

Lighting & sensors

Fluorescent and halogen accessories



380



F40



366LYWE



MTECOUGAR60



MTETRADE65



WMALCIT

| Cat.Nos | | UoM | Trade price \$ | GST \$ | Box qty | Carton qty |
|--------------|--|-----|----------------|---------|---------|------------|
| | Magnetic transformer for LED MR16 lamps | | | | | |
| LMT0115W | 15VA transformer for MR16 dimmable LED lamps N | EA | \$34.90 | \$3.49 | - | 20 |
| | Fluorescent accessories | | | | | |
| | Fluorescent lampholders | | | | | |
| 380 | White fluorescent tombstone screwed terminals 40 pack | EA | \$12.09 | \$1.21 | 40 | 680 |
| 388 | White fluorescent tombstone with spring clips snap-lock terminals 40 pack | EA | \$12.09 | \$1.21 | 40 | 680 |
| 381 | White fluorescent tombstone snap lock terminals 40 pack | EA | \$12.09 | \$1.21 | 40 | 680 |
| | Starter sockets | | | | | |
| 390 | White fluorescent 7/32 diagonal holes screwed terminals 40 pack | EA | \$12.09 | \$1.21 | 40 | 960 |
| | Starters | | | | | |
| F40 | White universal fluorescent 4W to 65W for twin series circuit 25 pack | EA | \$1.49 | \$0.15 | 25 | 1000 |
| F20 | White universal 4W to 22W 25 pack | EA | \$1.49 | \$0.15 | 25 | 1000 |
| DF40 | White fluorescent 4W to 65W for twin series circuit twin pack | EA | \$3.17 | \$0.32 | 10 | 400 |
| DF20 | White universal 4W to 22W for twin fittings twin pack | EA | \$3.17 | \$0.32 | 10 | 400 |
| | Battenholders | | | | | |
| | Adjustable | | | | | |
| 360WE | White B22 adjustable angle 64mm base 50mm mounting centre | EA | \$19.18 | \$1.92 | 10 | 200 |
| 360/W1WE | White B22 adjustable angle 64mm base 50mm mounting centre WP | EA | \$21.85 | \$2.18 | 5 | 100 |
| | Fixed | | | | | |
| 366LYWE | White B22 separate anch. plugs 68mm base 50mm mounting centre | EA | \$7.79 | \$0.78 | 10 | 200 |
| 366YWE | White B22 integr. anch plugs 68mm base 50mm mounting centre | EA | \$7.76 | \$0.78 | 10 | 200 |
| 366WE | White B22 68mm base 50mm mounting centre | EA | \$7.55 | \$0.76 | 10 | 200 |
| 368WE | White B22 90mm base 50mm mounting centre | EA | \$20.10 | \$2.01 | 10 | 160 |
| 366SWE | White B22 adjustable angle 64mm base 50mm mounting centre | EA | \$12.54 | \$1.25 | 10 | 200 |
| 366BR | Brown B22 68mm base 50mm mounting centre | EA | \$8.69 | \$0.87 | 10 | 200 |
| 368/1WE | White B22 90mm base 70mm mounting centre 4 terminal | EA | \$25.52 | \$2.55 | 10 | 160 |
| | Halogen Accessories | | | | | |
| WMALCIT | Installation tool for MR16 and GU10 lamps | EA | \$12.62 | \$1.26 | 4 | 40 |
| MAGX5R5P | Leads screw in MR16 5 pack | EA | \$30.15 | \$3.02 | 20 | 200 |
| MAGX5P5P | Leads push in MR16 5 pack | EA | \$30.15 | \$3.02 | 20 | 200 |
| MAGXHT5P | Leads push in hot temperature MR16 5 pack | EA | \$29.70 | \$2.97 | 20 | 200 |
| MTECOUGAR60 | 60W electronic transformer | EA | \$17.43 | \$1.74 | - | 100 |
| MTECOUG60T | 60W electronic transformer 10 pack | EA | \$155.48 | \$15.55 | - | 10 |
| MTECOUGAR60P | 60W electronic transformer flex & plug | EA | \$24.33 | \$2.43 | - | 50 |
| MTETRADE65 | 65W electronic transformer | EA | \$28.95 | \$2.90 | - | 50 |



New product



Energy Saving products

More info available.
See technical pages

Coming soon



Product to be discontinued

Lighting & sensors

Lighting accessories



333WE



310WE



D332WE



D9500WE



D1001/1

| Cat.Nos | | UoM | Trade price \$ | GST \$ | Box qty | Carton qty |
|----------|--|-----|----------------|--------|---------|------------|
| | Lampholders | | | | | |
| | BC with cord grip | | | | | |
| 333WE | White BC 4 terminals | EA | \$7.85 | \$0.78 | 10 | 500 |
| 333BL | Black BC 4 terminals | EA | \$7.85 | \$0.78 | 10 | 500 |
| | Festoon lampholder | | | | | |
| 303/1F | Black fanged screw-on cap 50mm mounting centre | EA | \$16.07 | \$1.61 | 10 | 500 |
| WS303/1F | Black fanged screw-on cap with WP skirt 50mm mounting centre | EA | \$16.28 | \$1.63 | 10 | 200 |
| | Lampholder skirts | | | | | |
| 333SKWE | White BC with cord grip long skirt weatherproof | EA | \$3.42 | \$0.34 | 10 | 500 |
| 310WE | White 2P pushbar sw. 1/2" brass thread with nipple top entry | EA | \$28.88 | \$2.89 | 10 | 200 |
| 310/10WE | White double-pole pushbar switch 10mm thread top entry | EA | \$24.50 | \$2.45 | 10 | 200 |
| | Tapered cap | | | | | |
| 359/10WE | White 10mm thread top cable entry | EA | \$15.42 | \$1.54 | 10 | 500 |
| 359WE | White 1/2" brass thread nipple top entry 4 terminal | EA | \$14.29 | \$1.43 | 10 | 500 |
| D332WE | White safety | EA | \$9.36 | \$0.94 | 10 | 200 |
| D359WE | White 1/2" brass thread nipple top entry 4 terminal | EA | \$17.83 | \$1.78 | 10 | 200 |
| | Lamp shade | | | | | |
| D9500WE | Canopy light plug-in with safety lampholder 0.5m lead white | EA | \$19.27 | \$1.93 | 5 | 30 |
| | Night light | | | | | |
| D1001/1 | Plug-in green moonglow white | EA | \$27.07 | \$2.71 | 5 | 60 |
| | Ceiling roses | | | | | |
| | Latching cover | | | | | |
| 80WE | White 68mm mounting base 4 terminals | EA | \$13.05 | \$1.30 | 10 | 200 |
| | Screw on cover | | | | | |
| 84WE | White 65mm base 4 plates 2 post per plate | EA | \$13.58 | \$1.36 | 10 | 200 |

Lighting & sensors

Motion sensors and smoke alarms



630R02WE



630S01BL



630S01WE



630S02WE



488TRI3W



643085

| Cat.Nos | 360° Recessed Sensor | | UoM | Trade price \$ | GST \$ | Box qty | Carton qty |
|--|---|--|-----|----------------|---------|---------|------------|
| 630R01WE | PIR white recessed 300-800W auto-mode 360° scan 6m range | | EA | \$53.00 | \$5.30 | - | - |
| 630R02WE | PIR white recessed 250-1000W auto-mode 360° scan 8m range | | EA | \$60.44 | \$6.04 | - | - |
| 630S02WE | PIR white surface mount 250-1000W auto 360° scan 8m range | | EA | \$63.00 | \$6.30 | - | - |
| IP44 Sensors | | | | | | | |
| 630S01WE | PIR white IP44 wall 300-1200W auto 180° scan 12m range | | EA | \$74.68 | \$7.46 | - | - |
| 630S01BL | PIR black IP44 wall 300-1200W auto 180° scan 12m range | | EA | \$74.68 | \$7.46 | - | - |
| 630SM01WE | PIR white IP44 wall 300-1200W manual override 180° scan 12m range | | EA | \$86.20 | \$8.62 | - | - |
| 630SM01BL | PIR black IP44 wall 300-1200W manual override 180° scan 12m range | | EA | \$86.20 | \$8.62 | - | - |
| 630/3 | PIR white IP44 wall 450-1200W manual override 180° scan 12m range | | EA | \$86.20 | \$8.62 | - | 40 |
| 630/3A | PIR white IP44 wall 450-1200W auto 180° scan 12m range | | EA | \$74.68 | \$7.47 | 5 | 40 |
| 630/5 | PIR white ceiling 600-1200W 360° scan 12m range | | EA | \$159.24 | \$15.92 | - | 60 |
| IP44 Sensors - Nelson | | | | | | | |
| MPES34 | PIR white IP44 wall 500-1100W manual override 180° scan 12m range | | EA | \$66.50 | \$6.65 | - | 40 |
| MPES34B | PIR black IP44 wall 500-1100W manual override 180° scan 12m range | | EA | \$69.04 | \$6.90 | - | 50 |
| IP66 Sensors | | | | | | | |
| 630/9-2W | 2 wire PIR plastic white IP66 wall 1200W 110° scan 18m range | | EA | \$192.17 | \$19.22 | - | 20 |
| 630/9-3W | 3 wire PIR plastic white IP66 wall 2400W 110° scan 18m range | | EA | \$210.72 | \$21.07 | - | 20 |
| IP66 Sensors - Nelson | | | | | | | |
| MPES66-3W | 3 wire PIR plastic white IP66 wall 2400W 110° scan 18m range | | EA | \$217.81 | \$21.78 | - | - |
| IP66 Sensors - Legrand | | | | | | | |
| 488TRI3W | 3 wire PIR/Microwave/Photoelectric detection plastic white IP66 wall 1200-2400W 120° scan 18m range | | EA | \$176.20 | \$17.62 | - | 20 |
| Smoke alarms 240V a.c. 50Hz - Legrand | | | | | | | |
| 643085 | Photoelectric white surface mount compliant to AS3876:2014 | | EA | \$123.63 | \$12.36 | 6 | 24 |
| 643086 | Smoke alarm interface for interconnection with other devices | | EA | \$141.23 | \$14.12 | - | 15 |



New product



Energy Saving products

More info available.
See technical pages

Coming soon



Product to be discontinued

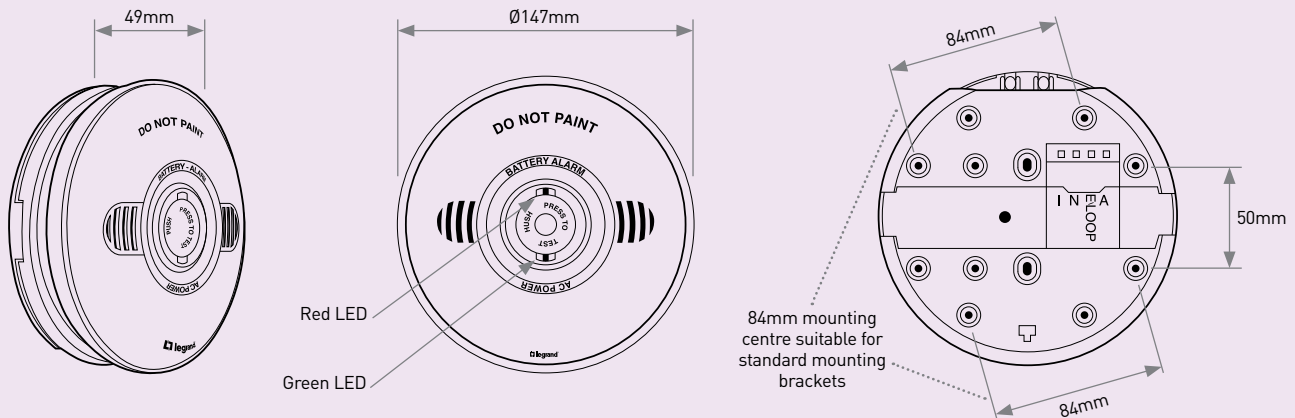
Photoelectric Smoke Alarm, 240V

COMPLIANT TO AS3876:2014



SPECIFICATIONS

| | | | |
|-----------|---------------|--------------------|---------------|
| Cat No. | 643085 | Depth: | 49mm |
| Colour: | White | Mounting centre: | 84mm |
| Type: | Photoelectric | Siren sound level: | 85db at 3m |
| Diameter: | 147mm | Supply Voltage: | 230-240V a.c. |



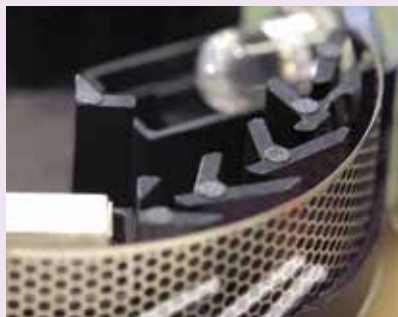
Self Calibration Capacity

Every 24 hours the device automatically adjusts the detection sensitivity. This feature reduced the incidence of false alarms due to dust built up inside the detection chamber, while fully maintaining its smoke detection sensitivity.



New Mesh Covering Surrounding the chamber

The fine material of the mesh covering will reduce the penetration of smaller dust particles.



Dust Protection Bag

To minimise dust or dry-wall particles entering the unit during installation, the smoke alarm is fitted with a dust protection bag.



legrand®

Lighting & sensors

Garden lighting



RGLSSP2



RGLSPBL1



GLLEDPLBL



RGLBW2



RGL1215

| Cat.Nos | Garden lighting 12V a.c. | UoM | Trade price \$ | GST \$ | Box qty | Carton qty |
|---------------------------------|--|-----|----------------|---------|---------|------------|
| Spotlights | | | | | | |
| GLLEDSLSS | 1W spotlight LED stainless steel | EA | \$46.64 | \$4.66 | 3 | 36 |
| GLLEDSLBL | 1W spotlight LED black | EA | \$26.77 | \$2.68 | - | 20 |
| GL20WSLSS | 20W spotlight halogen stainless steel | EA | \$142.45 | \$14.24 | 3 | 12 |
| GL20WMSLBL | 20W spotlight halogen black | EA | \$29.87 | \$2.99 | - | 40 |
| Mini Spotlights | | | | | | |
| RGLKVPBL4 | 5W spotlight halogen polypropylene black square including transformer and cable 4 pack | PK | \$64.90 | \$6.49 | - | 6 |
| RGLVSPBL | 5W spotlight halogen weatherproof polypropylene black | EA | \$10.40 | \$1.04 | 10 | 20 |
| RGLKSSM4 | 10W mini spotlight halogen aluminium IP67 including transformer and cable 4 pack | PK | \$173.74 | \$17.37 | - | 4 |
| RGLSSP2 | 10W mini spotlight halogen cast aluminium casing satin silver | EA | \$43.37 | \$4.34 | - | 6 |
| RGLVSBL | 10W mini spotlight halogen metal construction black | EA | \$43.37 | \$4.34 | - | 6 |
| RGLKMBL4 | 10W spotlight halogen metal black including transformer and cable 4 pack | PK | \$173.74 | \$17.37 | - | 4 |
| RGLAPSP2 | 20W mini spotlight halogen aluminium and glass casing brushed silver | EA | \$49.28 | \$4.93 | - | 6 |
| RGL21 | 20W spotlight halogen cast aluminium casing black | EA | \$66.89 | \$6.69 | - | 4 |
| Submersible | | | | | | |
| RGLSPBL1 | 1W submersible spotlight LED aluminium casing black IP68 glass diffuser | EA | \$60.75 | \$6.08 | - | 6 |
| RGLSPS1 | 1W submersible spotlight LED aluminium casing satin silver IP68 glass diffuser | EA | \$60.75 | \$6.08 | - | 6 |
| Pond Lights | | | | | | |
| GLLEDPLBL | 1W LED black | EA | \$35.19 | \$3.52 | - | 40 |
| GLLEDPLSS | 1W LED stainless steel adjust angle 90°-180° | EA | \$44.84 | \$4.48 | - | 24 |
| GL20WMPLBL4P | 20W halogen 20W black 4 pack | PK | \$86.10 | \$8.61 | - | 4 |
| GL20WMPLBL | 20W halogen black | EA | \$26.26 | \$2.63 | - | 20 |
| GL35WPLBL | 35W halogen black | EA | \$40.07 | \$4.01 | - | 20 |
| GL35WPLSS | 35W halogen stainless steel | EA | \$83.17 | \$8.32 | - | 10 |
| Bollards and path lights | | | | | | |
| RGLBW2 | 0.5W path light LED aluminium casing black frosted glass | EA | \$52.41 | \$5.24 | - | 16 |
| RGLSLMW4P | 0.8W bollards LED stainless steel body IP67 silver 4 pack | PK | \$53.23 | \$5.32 | - | 8 |
| RGLVPLB | 5W pathlight halogen weatherproof polypropylene IP67 black | EA | \$8.66 | \$0.87 | 10 | 20 |
| RGL1215 | 8W bollard LED stainless steel 304 construction silver | EA | \$93.55 | \$9.36 | - | 6 |
| RGL3BL2P | 10W T-dome uplights halogen metal body black twin pack | PK | \$35.85 | \$3.58 | - | 6 |
| RGL22 | 10W pathlight halogen aluminium casing black solid glass diffuser | EA | \$66.89 | \$6.69 | - | 4 |
| RGL1 | 20W bollard walklight halogen aluminium & glass body verdigris | EA | \$60.95 | \$6.10 | - | 4 |



New product



Energy Saving products



More info available. See technical pages



Coming soon



Product to be discontinued

Lighting & sensors

Garden lighting



RGLSUP38



RGLSED2P



RGLPCTAW20



RGLTR220



RGL10



DSLBAT4

| Cat.Nos | Garden lighting 12V a.c. | UoM | Trade price \$ | GST \$ | Box qty | Carton qty |
|------------------------------|---|-----|----------------|---------|---------|------------|
| Uplights | | | | | | |
| RGLSUP38 | 20W halogen aluminium body satin silver IP67 x | EA | \$79.52 | \$7.95 | - | 4 |
| Deck and step lights | | | | | | |
| RGLKRSLD24 | 0.3W deck light LED stainless silver IP67 4 pack | EA | \$107.48 | \$10.75 | 6 | 24 |
| RGLKRSLD4 | 0.3W deck light LED stainless silver kit 4 lights, transf, cable | EA | \$139.45 | \$13.94 | 1 | 6 |
| RGLKRSLDBL4 | 0.3W deck light LED stainless steel & plastic silver 4 pack x | EA | \$105.37 | \$10.54 | 6 | 24 |
| RGLSSLD2 | 0.8W deck&wall light LED aluminium stainless steel twin pack x | EA | \$79.80 | \$7.98 | 6 | 24 |
| RGLSED2P | 10W deck light halogen WP alloy body satin silver twin pack x | EA | \$42.95 | \$4.30 | 4 | 16 |
| RGLOSLD1 | 1W deck & wall light LED aluminium stainless steel frosted glass x | EA | \$51.08 | \$5.11 | 6 | 24 |
| Wall lights | | | | | | |
| RGLSSW1 | 0.5W wall light LED aluminium casing satin silver | EA | \$35.87 | \$3.59 | 6 | 24 |
| Transformers | | | | | | |
| RGLPCTAW20 | 10VA black with 12m narrow cable x | EA | \$42.03 | \$4.20 | - | 6 |
| RGLTR60 | 60VA self reset thermal overload black IP56 | EA | \$81.83 | \$8.18 | - | 8 |
| RGLTR105 | 105VA self reset thermal overload black IP56 | EA | \$106.89 | \$10.69 | - | 6 |
| RGL11 | 150VA self reset thermal overload black IP56 | EA | \$118.30 | \$11.83 | - | 6 |
| RGLTR220 | 220VA self reset thermal overload black IP56 | EA | \$225.83 | \$22.58 | - | 4 |
| RGLTR400 | 400VA self reset thermal overload prot. black IP64 | EA | \$326.22 | \$32.62 | - | 2 |
| Cable | | | | | | |
| RGL9 | 10m garden cable garden duty black | EA | \$67.52 | \$6.75 | 5 | 20 |
| RGLHSC15 | 15m garden cable standard duty for haloscape black | EA | \$33.24 | \$3.32 | 10 | 20 |
| RGL8 | 20m garden cable garden duty black | EA | \$34.54 | \$3.45 | 5 | 20 |
| RGLCL21/30 | 30m garden cable extra heavy duty black 2 core 2.08mm | EA | \$92.51 | \$9.25 | - | 5 |
| RGLCL33/30 | 30m garden cable extra heavy duty black 2 core 3.3mm | EA | \$121.76 | \$12.18 | - | 5 |
| Timers and sensors | | | | | | |
| DGLS150 | 150W dusk to dawn sensor halogen UV resist plastic IP44 black | EA | \$42.84 | \$4.28 | 6 | 36 |
| RGL10 | 200W sunset timer automatic UV resistant plastic black | EA | \$71.07 | \$7.11 | - | 5 |
| Lamp replacements | | | | | | |
| DGLWLED | Replacement globe LED 0.5W 12V a.c. glass transparent twin pack | EA | \$37.55 | \$3.76 | 8 | 32 |
| Solar garden lighting | | | | | | |
| Accessories | | | | | | |
| DSLBAT4 | Solar rechargeable batteries AA NiCd 600mAh yellow 4 pack | PK | \$16.97 | \$1.70 | 20 | 80 |



New product



Energy Saving products



More info available. See technical pages



Coming soon



Product to be discontinued

Whilst most items are stock lines some products are made to order. UoM = Unit Of Measure. Prices are effective 1 June 2017 and are subject to change without notice. Trade prices exclude GST.



EMERGENCY LIGHTING & TESTING SYSTEMS

Emergency Testing Systems



P. 328
Axiom System

Emergency Exit Signs



P. 329
E3 LED Edgelight



P. 333
G2 LED
Slide Connect

Emergency Luminaires



P. 337
Super LED
Satellite



P. 339-340
T5 and T8
Metal Fluorescent
Battens

Emergency Power Packs and Batteries



P. 344
Power Packs

FEATURED PRODUCTS



E2 LED Edgelight
(p. 330)



Large LED Exit Signs
32m, 48m, 60m
(p. 335)





P. 328
Test Switch and
Circuit Sensing
Module



P. 330
E2 LED Edgelight



P. 331
EB LED Edgelight



P. 332
Securit LED



P. 334
ER2 LED
Utility Exit



P. 335
Large LED
Exit Signs



P. 336
Weatherproof LED
Exit Signs



P. 338
LED Satellite



P. 338
Freezer
LED Satellite



P. 338
Weatherproof
LED Satellite



P. 339
Twin LED
Spotlights



P. 341-342
LED, T5 and T8
Weatherproof Battens



P. 343
Bulkhead LED



P. 343
Oysters



Super LED Satellite
(p. 337)

**WP2
Weatherproof
Battens**
(p. 341)



Emergency lighting & testing systems

Emergency testing systems



682298



682084



682083



682085



412536

| Cat.Nos | AXIOM® system | | UoM | Trade price \$ | GST \$ | Box qty | Carton qty |
|---------|--|--|-----|----------------|---------|---------|------------|
| 682298 | Area Controller | | EA | P.O.A | - | - | - |
| 222343 | Personal computer including printer | | EA | P.O.A | - | - | - |
| 223185 | Central interface unit USB:RS485 | | EA | P.O.A | - | - | - |
| 682299 | Aegis emergency lighting monitoring software | | EA | P.O.A | - | - | - |
| | Accessories for Axiom system | | | | | | |
| | Data cables | | | | | | |
| 201058 | Commander SPU cable | | EA | P.O.A | - | - | - |
| 682370 | 6 core flat 500m roll yellow | | MT | P.O.A | - | - | - |
| 682371 | 10 core flat 500m roll yellow | | MT | P.O.A | - | - | - |
| 223019 | Crimping tool for data cable | | EA | P.O.A | - | - | - |
| | Cable components | | | | | | |
| 682372 | 3 way coupler | | EA | P.O.A | - | - | - |
| 682373 | Coupler for 6 core cable | | EA | P.O.A | - | - | - |
| 682374 | Coupler for 10 core cable | | EA | P.O.A | - | - | - |
| 682375 | Modular plug for 6 core cable | | EA | P.O.A | - | - | - |
| 682376 | Modular plug for 10 core cable | | EA | P.O.A | - | - | - |
| | Network components | | | | | | |
| 682377 | Converter LAN to RS485 1 input/1 output | | EA | P.O.A | - | - | - |
| | Test switch and circuit sensing module | | | | | | |
| | Test switch (OEM) | | | | | | |
| 682084 | Test switch DIN mount 72 x 83 x 66mm | | EA | \$304.40 | \$30.44 | - | - |
| | Test switch (trade) | | | | | | |
| 682083 | Test switch surface mount 180 x 190 x 85mm | | EA | \$401.29 | \$40.13 | - | - |
| | Circuit sensing module | | | | | | |
| 682085 | Circuit sensing module for 8 lighting circuit 72 x 83 x 66mm | | EA | \$346.17 | \$34.62 | - | - |
| | Contactor | | | | | | |
| 412536 | 230V a.c. 25A 4NC 4 Mod | | EA | \$130.32 | \$13.03 | - | - |
| | Accessories | | | | | | |
| 682086 | Key switch and barrel | | EA | \$42.88 | \$4.29 | - | - |



New product



Energy Saving products

More info available.
See technical pages

Coming soon



Product to be discontinued

Emergency lighting & testing systems

Emergency exit signs



684431



684432



684439



684440

| Cat.Nos | E3™ LED Edgelight | C0 | C90 | C180 | | UoM | Trade price \$ | GST \$ | Box qty | Carton qty |
|---------|---|-----|-----|------|--|-----|----------------|---------|---------|------------|
| | For complete fixture, order power pack + diffuser type | | | | | | | | | |
| | SPU - recessed power pack only | | | | | | | | | |
| 684437 | Maintained power pack LED | | | | | EA | \$330.12 | \$33.01 | - | - |
| | SPU - surface mounted power pack only | | | | | | | | | |
| 684443 | Maintained power pack LED 3W silver | | | | | EA | \$404.65 | \$40.47 | - | - |
| | Axiom® - recessed power pack only | | | | | | | | | |
| 684438 | Maintained power pack LED | | | | | EA | P.O.A | - | - | - |
| | Axiom® - surface mounted power pack only | | | | | | | | | |
| 684444 | Maintained power pack LED 3W silver | | | | | EA | P.O.A | - | - | - |
| | Diffuser - single-sided - stainless steel wall plate | | | | | | | | | |
| 684431 | Wall plate - RM | N/A | N/A | * | | EA | \$721.72 | \$72.17 | - | - |
| 684432 | Wall plate - left arrow - RM | N/A | N/A | * | | EA | \$721.72 | \$72.17 | - | - |
| 684433 | Wall plate - RM - right arrow | N/A | N/A | * | | EA | \$721.72 | \$72.17 | - | - |
| 684439 | RM - wall plate | N/A | N/A | * | | EA | \$721.72 | \$72.17 | - | - |
| 684440 | Left arrow - RM - wall plate | N/A | N/A | * | | EA | \$721.72 | \$72.17 | - | - |
| 684441 | RM - right arrow - wall plate | N/A | N/A | * | | EA | \$721.72 | \$72.17 | - | - |
| | Diffuser - double-sided - stainless steel wall plate | | | | | | | | | |
| 684434 | Wall plate - RM | N/A | N/A | * | | EA | \$799.88 | \$79.99 | - | - |
| 684435 | Wall plate - arrow to wall - RM | N/A | N/A | * | | EA | \$799.88 | \$79.99 | - | - |
| 684436 | Wall plate - RM - arrow away from wall | N/A | N/A | * | | EA | \$799.88 | \$79.99 | - | - |
| | Accessories | | | | | | | | | |
| 686240 | Battery pack 4 x AA in-line for non-DALI models | | | | | EA | \$22.18 | \$2.22 | - | - |

RM = Running man , ss = Single sided, ds = Double sided

*Product complies with AS2293 however does not have a photometric classification.



New product



Energy Saving products



More info available. See technical pages



Coming soon



Product to be discontinued

Whilst most items are stock lines some products are made to order. UoM = Unit Of Measure. Prices are effective 1 June 2017 and are subject to change without notice. Trade prices exclude GST.

Emergency lighting & testing systems

Emergency exit signs



684730



684731



684733

| Cat.Nos | E2™ LED Edgelight - 24m | C0 | C90 | C180 | | UoM | Trade price \$ | GST \$ | Box qty | Carton qty |
|----------|---|-----|-------|------|--|-----|----------------|---------|---------|------------|
| | SPU - recessed | | | | | | | | | |
| 684730 | Maintained LED with RM decals/ss/ds white | C10 | C12.5 | | | EA | \$431.58 | \$43.16 | - | - |
| | SPU - surface mounted | | | | | | | | | |
| 684731 | Maintained LED with RM decals/ss/ds white | C10 | C12.5 | | | EA | \$371.65 | \$37.16 | - | - |
| 684733 | Maintained LED with RM decals/ss/ds black | N/A | N/A * | | | EA | \$549.66 | \$54.97 | - | - |
| | Axiom® - recessed | | | | | | | | | |
| 684740 | Maintained LED with RM decals/ss/ds white | C10 | C12.5 | | | EA | P.O.A | - | - | - |
| | Axiom® - surface mounted | | | | | | | | | |
| 684741 | Maintained LED with RM decals/ss/ds white | C10 | C12.5 | | | EA | P.O.A | - | - | - |
| 684742 | Maintained LED no decals/ss/ds white | N/A | N/A * | | | EA | P.O.A | - | - | - |
| 684743 | Maintained LED with RM decals/ss/ds black | N/A | N/A * | | | EA | P.O.A | - | - | - |
| | DALI - recessed | | | | | | | | | |
| 684730/D | Maintained LED with RM decals/ss/ds white | C8 | C16 | | | EA | P.O.A | - | - | - |
| | DALI - surface mounted | | | | | | | | | |
| 684731/D | Maintained LED with RM decals/ss/ds white | C8 | C16 | | | EA | P.O.A | - | - | - |
| 684733/D | Maintained LED with RM decals/ss/ds black | C8 | C16 | | | EA | P.O.A | - | - | - |
| | Accessories | | | | | | | | | |
| 684737 | Mounting block kit white | | | | | EA | \$26.53 | \$2.65 | - | - |
| 686240 | Battery pack 4 x AA in-line for non-DALI models | | | | | EA | \$22.18 | \$2.22 | - | - |
| 686216 | Wire suspension kit 2 x 6m | | | | | EA | \$106.52 | \$10.65 | - | - |
| 686214 | Battery pack 2x2 Sub-C type for non-DALI models | | | | | EA | \$51.15 | \$5.11 | - | - |
| 686235 | Wire guard for wall mount exit signs | | | | | EA | \$153.04 | \$15.30 | - | - |
| 686236 | Wire guard for ceiling mount exit signs | | | | | EA | \$197.57 | \$19.76 | - | - |
| 686260 | Suspension rod kit 600mm white | | | | | EA | \$125.83 | \$12.58 | - | - |
| 686261 | Suspension rod kit 1200mm white | | | | | EA | \$132.83 | \$13.28 | - | - |
| 686262 | Suspension rod kit 3000mm white | | | | | EA | \$142.73 | \$14.27 | - | - |
| 686263 | Suspension rod kit 600mm black | | | | | EA | \$131.08 | \$13.11 | - | - |
| 686264 | Suspension rod kit 1200mm black | | | | | EA | \$138.65 | \$13.86 | - | - |
| 686265 | Suspension rod kit 3000mm black | | | | | EA | \$146.80 | \$14.68 | - | - |

RM = Running man , ss = Single sided, ds = Double sided

*Product complies with AS2293 however does not have a photometric classification.



New product



Energy Saving products



More info available.
See technical pages



Coming soon



Product to be discontinued

Emergency lighting & testing systems

Emergency exit signs



684420B + 684408

| Cat.Nos | EB™ LED Edgelight - 24m | C0 | C90 | C180 | UoM | Trade price \$ | GST \$ | Box qty | Carton qty |
|---------|--|-------|------|------|-----|----------------|---------|---------|------------|
| | For complete fixture order body and diffuser type | | | | | | | | |
| | SPU - body | | | | | | | | |
| 684420B | Maintained/non-maintained LED | | | | EA | \$448.38 | \$44.84 | - | - |
| | Axiom® - body | | | | | | | | |
| 684422B | Maintained LED | | | | EA | P.O.A | - | - | - |
| | Diffusers - double-sided | | | | | | | | |
| 684408 | RM straight ahead white-on-green | C20 | D2.5 | | EA | \$154.83 | \$15.48 | - | - |
| 684409 | RM left/right white-on-green | C20 | D2.5 | | EA | \$152.57 | \$15.26 | - | - |
| | Diffusers - single-sided | | | | | | | | |
| 684400 | RM straight ahead white-on-green | E12.5 | B8 | | EA | \$152.57 | \$15.26 | - | - |
| 684401 | RM left white-on-green | E12.5 | B8 | | EA | \$154.83 | \$15.48 | - | - |
| 684402 | RM right white-on-green | E12.5 | B8 | | EA | \$154.83 | \$15.48 | - | - |
| | Accessories | | | | | | | | |
| 682206 | Surface mount box only | | | | EA | \$158.91 | \$15.89 | - | - |
| 686240 | Battery pack 4 x AA in-line | | | | EA | \$22.18 | \$2.22 | - | - |

RM = Running man , ss = Single sided, ds = Double sided



New product



Energy Saving products



More info available.
See technical pages



Coming soon



Product to be discontinued

Whilst most items are stock lines some products are made to order. UoM = Unit Of Measure.
Prices are effective 1 June 2017 and are subject to change without notice. Trade prices exclude GST.

Emergency lighting & testing systems

Emergency exit signs



684770



684775

| Cat.Nos | Securit™ LED - 24m | C0 | C90 | C180 | | UoM | Trade price \$ | GST \$ | Box qty | Carton qty |
|--|---------------------------------|------|-----|------|--|-----|----------------|---------|---------|------------|
| SPU - recessed | | | | | | | | | | |
| 684770 | Maintained LED ss RM | E1.3 | E1 | | | EA | \$833.23 | \$83.32 | - | - |
| 684771 | Maintained LED ss RM left | E1.3 | E1 | | | EA | \$833.23 | \$83.32 | - | - |
| 684772 | Maintained LED ss RM right | E1.3 | E1 | | | EA | \$833.23 | \$83.32 | - | - |
| 684773 | Maintained LED ds RM | E1.3 | E1 | | | EA | \$833.23 | \$83.32 | - | - |
| 684774 | Maintained LED ds RM left/right | E1.3 | E1 | | | EA | \$833.23 | \$83.32 | - | - |
| SPU - surface mount | | | | | | | | | | |
| 684775 | Maintained LED ss RM | E1.3 | E1 | | | EA | \$833.23 | \$83.32 | - | - |
| 684776 | Maintained LED ss RM left | E1.3 | E1 | | | EA | \$833.23 | \$83.32 | - | - |
| 684777 | Maintained LED ss RM right | E1.3 | E1 | | | EA | \$833.23 | \$83.32 | - | - |
| 684778 | Maintained LED ds RM | E1.3 | E1 | | | EA | \$833.23 | \$83.32 | - | - |
| 684779 | Maintained LED ds RM left/right | E1.3 | E1 | | | EA | \$833.23 | \$83.32 | - | - |
| Axiom® - recessed | | | | | | | | | | |
| 684780 | Maintained LED ss RM | E1.3 | E1 | | | EA | P.O.A | - | - | - |
| 684781 | Maintained LED ss RM left | E1.3 | E1 | | | EA | P.O.A | - | - | - |
| 684782 | Maintained LED ss RM right | E1.3 | E1 | | | EA | P.O.A | - | - | - |
| 684783 | Maintained LED ds RM | E1.3 | E1 | | | EA | P.O.A | - | - | - |
| 684784 | Maintained LED ds RM left/right | E1.3 | E1 | | | EA | P.O.A | - | - | - |
| Axiom® (wired only) - surface mounted | | | | | | | | | | |
| 684785 | Maintained LED ss RM | E1.3 | E1 | | | EA | P.O.A | - | - | - |
| 684786 | Maintained LED ss RM left | E1.3 | E1 | | | EA | P.O.A | - | - | - |
| 684787 | Maintained LED ss RM right | E1.3 | E1 | | | EA | P.O.A | - | - | - |
| 684788 | Maintained LED ds RM | E1.3 | E1 | | | EA | P.O.A | - | - | - |
| 684789 | Maintained LED ds RM left/right | E1.3 | E1 | | | EA | P.O.A | - | - | - |
| DALI - recessed | | | | | | | | | | |
| 684770/D | Maintained LED ss RM | E1.3 | E1 | | | EA | P.O.A | - | - | - |
| 684771/D | Maintained LED ss RM left | E1.3 | E1 | | | EA | P.O.A | - | - | - |
| 684772/D | Maintained LED ss RM right | E1.3 | E1 | | | EA | P.O.A | - | - | - |
| 684773/D | Maintained LED ds RM | E1.3 | E1 | | | EA | P.O.A | - | - | - |
| 684774/D | Maintained LED ds RM left/right | E1.3 | E1 | | | EA | P.O.A | - | - | - |

RM = Running man , ss = Single sided, ds = Double sided



New product



Energy Saving products



More info available. See technical pages



Coming soon



Product to be discontinued

Emergency lighting & testing systems

Emergency exit signs



686200

| Cat.Nos | Securit™ LED - 24m | C0 | C90 | C180 | | UoM | Trade price \$ | GST \$ | Box qty | Carton qty |
|----------|--|-------|-------|------|--|-----|----------------|---------|---------|------------|
| | DALI - surface mounted | | | | | | | | | |
| 684775/D | Maintained LED ss RM | E1.3 | E1 | | | EA | P.O.A | - | - | - |
| 684776/D | Maintained LED ss RM left | E1.3 | E1 | | | EA | P.O.A | - | - | - |
| 684777/D | Maintained LED ss RM right | E1.3 | E1 | | | EA | P.O.A | - | - | - |
| 684778/D | Maintained LED ds RM | E1.3 | E1 | | | EA | P.O.A | - | - | - |
| 684779/D | Maintained LED ds RM left/right | E1.3 | E1 | | | EA | P.O.A | - | - | - |
| | G2™ LED Slide Connect - 24m | | | | | | | | | |
| | SPU | | | | | | | | | |
| 686200 | Maintained LED set of 4xRM decals/ss/ds - white | D1.25 | A1.25 | | | EA | \$257.31 | \$25.73 | - | 5 |
| 686206 | Maintained LED set of 4xdecals/ss/ds - black | N/A | N/A | | | EA | \$314.89 | \$31.49 | - | 5 |
| 686208 | Maintained LED set of 4xRM decals/ss/ds - silver | D1.25 | A1.25 | | | EA | \$355.64 | \$35.56 | - | 5 |
| | Axiom® | | | | | | | | | |
| 686203 | Maintained LED set of 4xRM decals/ss/ds - white | D1.25 | A1.25 | | | EA | P.O.A | - | - | 5 |
| 686207 | Maintained LED set of 4xdecals/ss/ds - black | N/A | N/A | | | EA | P.O.A | - | - | 5 |
| 686211 | Maintained LED set of 4xRM decals/ss/ds - silver | D1.25 | A1.25 | | | EA | P.O.A | - | - | 5 |
| | DALI | | | | | | | | | |
| 686200/D | Maintained LED set of 4xRM decals/ss/ds - white | D5 | C20 | | | EA | P.O.A | - | - | - |
| 686206/D | Maintained LED set of 4xRM decals/ss/ds - black | N/A | N/A | | | EA | P.O.A | - | - | - |
| 686208/D | Maintained LED set of 4xRM decals/ss/ds - silver | D5 | C20 | | | EA | P.O.A | - | - | - |
| | Accessories | | | | | | | | | |
| 686215 | Cantilever bracket for G2 exit signs white | | | | | EA | \$101.96 | \$10.20 | - | - |
| 686216 | Wire suspension kit 2 x 6m | | | | | EA | \$106.52 | \$10.65 | - | - |
| 686214 | Battery pack 2x2 Sub-C type for non-DALI models | | | | | EA | \$51.15 | \$5.12 | - | - |
| 686235 | Wire guard for wall mount exit signs | | | | | EA | \$153.04 | \$15.30 | - | - |
| 686236 | Wire guard for ceiling mount exit signs | | | | | EA | \$197.57 | \$19.76 | - | - |
| 686260 | Suspension rod kit 600mm white | | | | | EA | \$125.83 | \$12.58 | - | - |
| 686261 | Suspension rod kit 1200mm white | | | | | EA | \$132.83 | \$13.28 | - | - |
| 686262 | Suspension rod kit 3000mm white | | | | | EA | \$142.73 | \$14.27 | - | - |
| 686263 | Suspension rod kit 600mm black | | | | | EA | \$131.08 | \$13.11 | - | - |
| 686264 | Suspension rod kit 1200mm black | | | | | EA | \$138.65 | \$13.86 | - | - |
| 686265 | Suspension rod kit 3000mm black | | | | | EA | \$137.84 | \$13.78 | - | - |
| 686216 | Suspension wire kit 2x6m | | | | | EA | \$106.52 | \$10.65 | - | - |

RM = Running man , ss = Single sided, ds = Double sided



New product



Energy Saving products



More info available. See technical pages



Coming soon



Product to be discontinued

Whilst most items are stock lines some products are made to order. UoM = Unit Of Measure. Prices are effective 1 June 2017 and are subject to change without notice. Trade prices exclude GST.

Emergency lighting & testing systems

Emergency exit signs



684447



684449



684481

| Cat.Nos | ER2 LED utility exit - 24m | C0 | C90 | C180 | | UoM | Trade price \$ | GST \$ | Box qty | Carton qty |
|------------------------------|----------------------------------|-------|------|------|--|-----|----------------|---------|---------|------------|
| SPU - wall mounted | | | | | | | | | | |
| 684447 | Maintained LED ss with RM decals | E2.5 | E2.5 | | | EA | \$160.26 | \$16.03 | - | 6 |
| SPU - ceiling mounted | | | | | | | | | | |
| 684449 | Maintained LED ds with RM decals | E2.5 | E2.5 | | | EA | \$160.26 | \$16.03 | - | 4 |
| Accessories | | | | | | | | | | |
| 686240 | Battery pack 4 x AA in-line | | | | | EA | \$22.18 | \$2.22 | - | - |
| Large LED exit | | | | | | | | | | |
| SPU - 32m | | | | | | | | | | |
| 684481 | Maintained LED ss RM | D12.5 | D5 | | | EA | \$654.85 | \$65.48 | - | - |
| 684482 | Maintained LED ss RM left | D12.5 | D5 | | | EA | \$654.85 | \$65.48 | - | - |
| 684483 | Maintained LED ss RM right | D12.5 | D5 | | | EA | \$654.85 | \$65.48 | - | - |
| 684484 | Maintained LED ds RM | D12.5 | D5 | | | EA | \$707.14 | \$70.71 | - | - |
| 684485 | Maintained LED ds RM left/right | D12.5 | D5 | | | EA | \$707.14 | \$70.71 | - | - |
| Axiom® - 32m | | | | | | | | | | |
| 684491 | Maintained LED ss RM | D12.5 | D5 | | | EA | P.O.A | - | - | - |
| 684492 | Maintained LED ss RM left | D12.5 | D5 | | | EA | P.O.A | - | - | - |
| 684493 | Maintained LED ss RM right | D12.5 | D5 | | | EA | P.O.A | - | - | - |
| 684494 | Maintained LED ds RM | D12.5 | D5 | | | EA | P.O.A | - | - | - |
| 684495 | Maintained LED ds RM left/right | D12.5 | D5 | | | EA | P.O.A | - | - | - |
| DALI - 32m | | | | | | | | | | |
| 684481/D | Maintained LED ss RM | | | | | EA | P.O.A | - | - | - |
| 684482/D | Maintained LED ss RM left | | | | | EA | P.O.A | - | - | - |
| 684483/D | Maintained LED ss RM right | | | | | EA | P.O.A | - | - | - |
| 684484/D | Maintained LED ds RM | | | | | EA | P.O.A | - | - | - |
| 684485/D | Maintained LED ds RM left/right | | | | | EA | P.O.A | - | - | - |

RM = Running man , ss = Single sided, ds = Double sided



New product



Energy Saving products



More info available. See technical pages



Coming soon



Product to be discontinued

Emergency lighting & testing systems

Emergency exit signs



684486



684501

| Cat.Nos | Large LED exit | C0 | C90 | C180 | | UoM | Trade price \$ | GST \$ | Box qty | Carton qty |
|---------------------|--|-------|-------|------|--|-----|----------------|----------|---------|------------|
| SPU - 48m | | | | | | | | | | |
| 684486 | Maintained LED ss RM | D12.5 | D4 | | | EA | \$710.70 | \$71.07 | - | - |
| 684487 | Maintained LED ss RM left | D12.5 | D4 | | | EA | \$710.70 | \$71.07 | - | - |
| 684488 | Maintained LED ss RM right | D12.5 | D4 | | | EA | \$710.70 | \$71.07 | - | - |
| 684489 | Maintained LED ds RM | D12.5 | D4 | | | EA | \$766.57 | \$76.66 | - | - |
| 684490 | Maintained LED ds RM left/right | D12.5 | D4 | | | EA | \$766.57 | \$76.66 | - | - |
| Axiom® - 48m | | | | | | | | | | |
| 684496 | Maintained LED ss RM | D12.5 | D4 | | | EA | P.O.A | - | - | - |
| 684497 | Maintained LED ss RM left | D12.5 | D4 | | | EA | P.O.A | - | - | - |
| 684498 | Maintained LED ss RM right | D12.5 | D4 | | | EA | P.O.A | - | - | - |
| 684499 | Maintained LED ds RM | D12.5 | D4 | | | EA | P.O.A | - | - | - |
| 684500 | Maintained LED ds RM left/right | D12.5 | D4 | | | EA | P.O.A | - | - | - |
| DALI - 48m | | | | | | | | | | |
| 684486/D | Maintained LED ss RM | D12.5 | C12.5 | | | EA | P.O.A | - | - | - |
| 684487/D | Maintained LED ss RM left | D12.5 | C12.5 | | | EA | P.O.A | - | - | - |
| 684488/D | Maintained LED ss RM right | D12.5 | C12.5 | | | EA | P.O.A | - | - | - |
| 684489/D | Maintained LED ds RM | D12.5 | C12.5 | | | EA | P.O.A | - | - | - |
| 684490/D | Maintained LED ds RM left/right | D12.5 | C12.5 | | | EA | P.O.A | - | - | - |
| SPU - 60m | | | | | | | | | | |
| 684501 | Maintained LED ss RM | D10 | D3.2 | | | EA | \$1,586.31 | \$158.63 | - | - |
| 684502 | Maintained LED ss RM left | D10 | D3.2 | | | EA | \$1,586.31 | \$158.63 | - | - |
| 684503 | Maintained LED ss RM right | D10 | D3.2 | | | EA | \$1,586.31 | \$158.63 | - | - |
| 684504 | Maintained LED ds RM | D10 | D3.2 | | | EA | \$1,586.31 | \$158.63 | - | - |
| 684505 | Maintained LED ds RM left/right | D10 | D3.2 | | | EA | \$1,586.31 | \$158.63 | - | - |
| Axiom® - 60m | | | | | | | | | | |
| 684511 | Maintained LED ss RM | D10 | D3.2 | | | EA | P.O.A | - | - | - |
| 684512 | Maintained LED ss RM left | D10 | D3.2 | | | EA | P.O.A | - | - | - |
| 684513 | Maintained LED ss RM right | D10 | D3.2 | | | EA | P.O.A | - | - | - |
| 684514 | Maintained LED ds RM | D10 | D3.2 | | | EA | P.O.A | - | - | - |
| 684515 | Maintained LED ds RM left/right | D10 | D3.2 | | | EA | P.O.A | - | - | - |
| Accessories | | | | | | | | | | |
| 684508 | Wall bracket for 32/48m | | | | | EA | \$181.05 | \$18.10 | - | - |
| 684506 | Wall bracket for 60m | | | | | EA | \$386.75 | \$36.87 | - | - |
| 684509 | Flush wall bracket for 32/48m | | | | | EA | \$63.90 | \$6.39 | - | - |
| 684507 | Flush wall bracket for 60m | | | | | EA | \$95.85 | \$9.58 | - | - |
| 684874 | Battery pack 5 x sub C for non-DALI models | | | | | EA | \$65.60 | \$6.56 | - | - |

RM = Running man , ss = Single sided, ds = Double sided



New product



Energy Saving products



More info available. See technical pages



Coming soon



Product to be discontinued

Whilst most items are stock lines some products are made to order. UoM = Unit Of Measure. Prices are effective 1 June 2017 and are subject to change without notice. Trade prices exclude GST.

Emergency lighting & testing systems

Emergency exit signs



684652



684662



684672



684682

| Cat.Nos | Weatherproof LED exit | C0 | C90 | C180 | | UoM | Trade price \$ | GST \$ | Box qty | Carton qty |
|-------------------------------------|--|------|------|------|--|-----|----------------|---------|---------|------------|
| SPU - 24m | | | | | | | | | | |
| 684650 | Maintained LED ss RM | E2.5 | E2 | | | EA | \$592.06 | \$59.21 | - | - |
| 684651 | Maintained LED ss RM left | E2.5 | E2 | | | EA | \$592.06 | \$59.21 | - | - |
| 684652 | Maintained LED ss RM right | E2.5 | E2 | | | EA | \$592.06 | \$59.21 | - | - |
| SPU - 24m (freezer -30°C) | | | | | | | | | | |
| 684659 | Maintained LED ss RM freezer | E2.5 | E2 | | | EA | \$710.49 | \$71.05 | - | - |
| Axiom® - 24m | | | | | | | | | | |
| 684660 | Maintained LED ss RM | E2.5 | E2 | | | EA | P.O.A | - | - | - |
| 684661 | Maintained LED ss RM left | E2.5 | E2 | | | EA | P.O.A | - | - | - |
| 684662 | Maintained LED ss RM right | E2.5 | E2 | | | EA | P.O.A | - | - | - |
| Axiom® - 24m (freezer -30°C) | | | | | | | | | | |
| 684669 | Maintained LED ss RM freezer | E2.5 | E2 | | | EA | P.O.A | - | - | - |
| DALI - 24m | | | | | | | | | | |
| 684650/D | Maintained LED ss RM | D3.2 | E2 | | | EA | P.O.A | - | - | - |
| 684651/D | Maintained LED ss RM left | D3.2 | E2 | | | EA | P.O.A | - | - | - |
| 684652/D | Maintained LED ss RM right | D3.2 | E2 | | | EA | P.O.A | - | - | - |
| SPU - 32m | | | | | | | | | | |
| 684670 | Maintained LED ss RM | E2.5 | E2 | | | EA | \$773.07 | \$77.31 | - | - |
| 684671 | Maintained LED ss RM left | E2.5 | E2 | | | EA | \$773.07 | \$77.31 | - | - |
| 684672 | Maintained LED ss RM right | E2.5 | E2 | | | EA | \$773.07 | \$77.31 | - | - |
| Axiom® - 32m | | | | | | | | | | |
| 684680 | Maintained LED ss RM | E2.5 | E2 | | | EA | P.O.A | - | - | - |
| 684681 | Maintained LED ss RM left | E2.5 | E2 | | | EA | P.O.A | - | - | - |
| 684682 | Maintained LED ss RM right | E2.5 | E2 | | | EA | P.O.A | - | - | - |
| DALI - 32m | | | | | | | | | | |
| 684670/D | Maintained LED ss RM | E2.5 | E1.6 | | | EA | P.O.A | - | - | - |
| 684671/D | Maintained LED ss RM left | E2.5 | E1.6 | | | EA | P.O.A | - | - | - |
| 684672/D | Maintained LED ss RM right | E2.5 | E1.6 | | | EA | P.O.A | - | - | - |
| Accessories | | | | | | | | | | |
| 684690 | Wall bracket for 24m | | | | | EA | \$100.00 | \$10.00 | - | - |
| 684691 | Side bracket for 24m | | | | | EA | \$365.00 | \$36.50 | - | - |
| 684692 | Ceiling bracket for 24m | | | | | EA | \$110.00 | \$11.00 | - | - |
| 684689 | Battery pack 5 x sub C for non-DALI models | | | | | EA | \$57.23 | \$5.72 | - | - |

RM = Running man , ss = Single sided, ds = Double sided



New product



Energy Saving products



More info available. See technical pages



Coming soon



Product to be discontinued

Emergency lighting & testing systems

Emergency luminaires



685030

| Cat.Nos | Super LED Satellite™ | C0 | C90 | C180 | | UoM | Trade price \$ | GST \$ | Box qty | Carton qty |
|---------|---------------------------------|------|------|------|--|-----|----------------|---------|---------|------------|
| | SPU | | | | | | | | | |
| 685030 | Non-maintained LED IP65 grey | D100 | D100 | | | EA | \$541.66 | \$54.17 | - | - |
| 685031 | Non-maintained LED IP65 black | D100 | D100 | | | EA | \$583.33 | \$58.33 | - | - |
| | Axiom® | | | | | | | | | |
| 685032 | Non-maintained LED IP65 grey | D100 | D100 | | | EA | P.O.A | - | - | - |
| 685033 | Non-maintained LED IP65 black | D100 | D100 | | | EA | P.O.A | - | - | - |
| | Accessories | | | | | | | | | |
| 686266 | Rod suspension kit 1200mm grey | | | | | EA | P.O.A | - | - | - |
| 686267 | Rod suspension kit 3000mm grey | | | | | EA | P.O.A | - | - | - |
| 686268 | Rod suspension kit 1200mm black | | | | | EA | P.O.A | - | - | - |
| 686269 | Rod suspension kit 3000mm black | | | | | EA | P.O.A | - | - | - |
| 685034 | Suspension wire kit grey | | | | | EA | P.O.A | - | - | - |
| 685035 | Suspension wire kit black | | | | | EA | P.O.A | - | - | - |
| 685036 | Wall bracket grey | | | | | EA | P.O.A | - | - | - |
| 685037 | Wall bracket black | | | | | EA | P.O.A | - | - | - |

RM = Running man , ss = Single sided, ds = Double sided



New product



Energy Saving products



More info available.
See technical pages



Coming soon



Product to be discontinued

Whilst most items are stock lines some products are made to order. UoM = Unit Of Measure.
Prices are effective 1 June 2017 and are subject to change without notice. Trade prices exclude GST.

Emergency lighting & testing systems

Emergency luminaires



684850



684853



684878



684875

| Cat.Nos | LED Satellite™ | C0 | C90 | C180 | | UoM | Trade price \$ | GST \$ | Box qty | Carton qty |
|-------------------------------------|--|-----|-----|------|--|-----|----------------|---------|---------|------------|
| SPU - recessed | | | | | | | | | | |
| 684850 | Non-maintained LED white | D40 | D40 | | | EA | \$190.69 | \$19.07 | - | 10 |
| 684852 | Non-maintained LED black | D40 | D40 | | | EA | \$221.05 | \$22.10 | - | 10 |
| 684855 | Non-maintained LED white | D25 | D25 | | | EA | \$150.07 | \$15.01 | - | 10 |
| Axiom® - recessed | | | | | | | | | | |
| 684860 | Non-maintained LED white | D40 | D40 | | | EA | P.O.A | - | - | 10 |
| 684862 | Non-maintained LED black | D40 | D40 | | | EA | P.O.A | - | - | 10 |
| DALI - recessed | | | | | | | | | | |
| 684850/D | Non-maintained LED white | D50 | D50 | | | EA | P.O.A | - | - | 10 |
| 684852/D | Non-maintained LED black | D50 | D50 | | | EA | P.O.A | - | - | 10 |
| SPU - surface mounted | | | | | | | | | | |
| 684853 | Non-maintained LED white | D40 | D40 | | | EA | \$291.95 | \$29.20 | - | - |
| 684854 | Non-maintained LED black | D40 | D40 | | | EA | \$333.66 | \$33.37 | - | - |
| Axiom® - surface mounted | | | | | | | | | | |
| 684863 | Non-maintained LED white | D40 | D40 | | | EA | P.O.A | - | - | - |
| 684864 | Non-maintained LED black | D40 | D40 | | | EA | P.O.A | - | - | - |
| DALI - surface mounted | | | | | | | | | | |
| 684853/D | Non-maintained LED white | D50 | D50 | | | EA | P.O.A | - | - | - |
| 684854/D | Non-maintained LED black | D50 | D50 | | | EA | P.O.A | - | - | - |
| Weatherproof LED Satellites™ | | | | | | | | | | |
| SPU | | | | | | | | | | |
| 684875 | Non-maintained LED IP55 white | D25 | D25 | | | EA | \$298.91 | \$29.89 | - | - |
| Axiom® | | | | | | | | | | |
| 684879 | Non-maintained LED IP55 white | D25 | D25 | | | EA | P.O.A | - | - | - |
| DALI | | | | | | | | | | |
| 684875/D | Non-maintained LED IP55 | D25 | D25 | | | EA | P.O.A | - | - | - |
| Freezer LED Satellites™ | | | | | | | | | | |
| SPU | | | | | | | | | | |
| 684878 | Non-maintained LED IP55 for -25°C white | D25 | D25 | | | EA | \$279.38 | \$27.94 | - | - |
| Axiom® | | | | | | | | | | |
| 684880 | Non-maintained LED IP55 for -25°C white | D25 | D25 | | | EA | P.O.A | - | - | - |
| Accessories | | | | | | | | | | |
| 684874 | Battery pack 5 x sub C for non-DALI models | D25 | D25 | | | EA | \$65.60 | \$6.56 | - | - |

RM = Running man , ss = Single sided, ds = Double sided



New product



Energy Saving products



More info available. See technical pages



Coming soon



Product to be discontinued

Emergency lighting & testing systems

Emergency luminaires



682055



684956

| Cat.Nos | Twin LED spotlight | C0 | C90 | C180 | UoM | Trade price \$ | GST \$ | Box qty | Carton qty |
|---------|---|-----|-----|------|-----|----------------|---------|---------|------------|
| | SPU | | | | | | | | |
| 682055 | Non-maintained LED 2 x 10W IP65 | | | | EA | \$851.43 | \$85.14 | - | - |
| | Axiom® | | | | | | | | |
| 682056 | Non-maintained LED 2 x 10W IP65 | | | | EA | P.O.A | - | - | - |
| | Accessories | | | | | | | | |
| 682369 | Wire guard | | | | EA | \$157.60 | \$15.76 | - | - |
| | T5 metal battens | | | | | | | | |
| | SPU | | | | | | | | |
| 684954 | Bare batten switched maintained 1 x 28W L12 | D63 | D20 | | EA | \$282.71 | \$28.27 | - | - |
| 684956 | Bare batten switched maintained 2 x 28W L12 | D63 | D20 | D63 | EA | \$290.46 | \$29.05 | - | - |
| | Axiom® | | | | | | | | |
| 684964 | Bare batten switched maintained 1 x 28W L12 | D80 | D25 | | EA | P.O.A | - | - | - |
| 684966 | Bare batten switched maintained 2 x 28W L12 | D80 | D25 | D80 | EA | P.O.A | - | - | - |
| | Accessories | | | | | | | | |
| 684986 | Diffuser for 28W | | | | EA | \$32.19 | \$3.22 | - | - |
| 684996 | Wire guard for 28W | | | | EA | \$32.19 | \$3.22 | - | - |
| 201559 | Battery pack to suit 28W 5 x D cell | | | | EA | \$195.94 | \$19.59 | - | - |

L12 = 1200mm length



New product



Energy Saving products



More info available. See technical pages



Coming soon



Product to be discontinued

Whilst most items are stock lines some products are made to order. UoM = Unit Of Measure. Prices are effective 1 June 2017 and are subject to change without notice. Trade prices exclude GST.

Emergency lighting & testing systems

Emergency luminaires



222435



222442



682268

| Cat.Nos | T8 metal battens | C0 | C90 | C180 | UoM | Trade price \$ | GST \$ | Box qty | Carton qty |
|------------------------------------|---|-----|-----|------|-----|----------------|---------|---------|------------|
| SPU - electronic ballast | | | | | | | | | |
| 204008 | Bare batten switched maintained 1 x 18W L6 | D32 | C32 | | EA | \$473.07 | \$47.31 | - | - |
| 204010 | Bare batten switched maintained 2 x 18W L6 | D32 | C40 | | EA | \$509.26 | \$50.93 | - | - |
| 204011 | Bare batten sustained 2 x 18W L6 | D32 | C40 | | EA | \$525.32 | \$52.53 | - | - |
| 204012 | Bare batten switched maintained 1 x 36W L12 | D63 | C63 | | EA | \$492.09 | \$49.21 | - | - |
| 204014 | Bare batten switched maintained 2 x 36W L12 | D63 | D20 | | EA | \$564.46 | \$56.45 | - | - |
| 204015 | Bare batten sustained 2 x 36W L12 | D63 | D20 | | EA | \$584.96 | \$58.50 | - | - |
| SPU - magnetic ballast | | | | | | | | | |
| 222423 | Bare batten switched maintained 1 x 18W L6 | D32 | C32 | | EA | \$340.15 | \$34.02 | - | - |
| 222426 | Bare batten non-maintained 1 x 18W L6 | D32 | C32 | | EA | \$297.03 | \$29.70 | - | - |
| 222435 | Bare batten switched maintained 2 x 18W L6 | D32 | C40 | | EA | \$375.95 | \$37.60 | - | - |
| 222439 | Bare batten sustained 2 x 18W L6 | D32 | C40 | | EA | \$371.41 | \$37.14 | - | - |
| 222429 | Bare batten switched maintained 1 x 36W L12 | D63 | C63 | | EA | \$363.68 | \$36.37 | - | - |
| 222432 | Bare batten non-maintained 1 x 36W L12 | D63 | C63 | | EA | \$337.97 | \$33.80 | - | - |
| 222442 | Bare batten switched maintained 2 x 36W L12 | D63 | D20 | | EA | \$432.34 | \$43.23 | - | - |
| 222445 | Bare batten sustained 2 x 36W L12 | D63 | D20 | | EA | \$445.86 | \$44.59 | - | - |
| Axiom® - electronic ballast | | | | | | | | | |
| 682261 | Bare batten switched maintained 1 x 18W L6 | D32 | C32 | | EA | P.O.A | - | - | - |
| 682265 | Bare batten switched maintained 2 x 18W L6 | D32 | C40 | | EA | P.O.A | - | - | - |
| 682243 | Bare batten sustained 2 x 18W L6 | D32 | C40 | | EA | P.O.A | - | - | - |
| 682263 | Bare batten switched maintained 1 x 36W L12 | D63 | C63 | | EA | P.O.A | - | - | - |
| 682267 | Bare batten switched maintained 2 x 36W L12 | D63 | D20 | | EA | P.O.A | - | - | - |
| 682268 | Bare batten sustained 2 x 36W L12 | D63 | D20 | | EA | P.O.A | - | - | - |
| Accessories | | | | | | | | | |
| 222075 | Diffuser for 1 & 2 x 18W | | | | EA | \$63.04 | \$6.30 | - | - |
| 222077 | Diffuser for 1 x 36W | | | | EA | \$75.68 | \$7.57 | - | - |
| 222076 | Diffuser for 2 x 36W | | | | EA | \$84.52 | \$8.45 | - | - |
| 222580 | Wire guard for 1 & 2 x 18W | | | | EA | \$51.32 | \$5.13 | - | - |
| 226760 | Wire guard for 1 x 36W | | | | EA | \$76.81 | \$7.68 | - | - |
| 222581 | Wire guard for 2 x 36W | | | | EA | \$76.81 | \$7.68 | - | - |
| 222023 | Battery pack to suit 18W 3 x D cell | | | | EA | \$125.11 | \$12.51 | - | - |
| 222024 | Battery pack to suit 36W 4 x D cell | | | | EA | \$167.07 | \$16.71 | - | - |

L6 = 600mm length, L12 = 1200mm length



New product



Energy Saving products



More info available. See technical pages



Coming soon



Product to be discontinued

Emergency lighting & testing systems

Emergency luminaires



685080



685050



685083



WP2 LED weatherproof

| Cat.Nos | WP2 LED weatherproof battens | C0 | C90 | C180 | | UoM | Trade price \$ | GST \$ | Box qty | Carton qty |
|------------------------------------|--|------|-----|------|--|-----|----------------|---------|---------|------------|
| SPU | | | | | | | | | | |
| 685050 | Switched maintained 4000K GRP 2100lm L6 IP65 | D80 | D20 | | | EA | \$535.50 | \$53.55 | - | - |
| 685080 | Switched maintained 4000K GRP 4100lm L12 IP65 | D160 | D40 | | | EA | \$612.00 | \$61.20 | - | - |
| SPU - with DIM sensor | | | | | | | | | | |
| 685053 | Switched maintained 4000K GRP 2100lm L6 IP65 | D80 | D20 | | | EA | \$654.49 | \$65.45 | - | - |
| 685083 | Switched maintained 4000K GRP 4100lm L12 IP65 | D160 | D40 | | | EA | \$765.00 | \$76.50 | - | - |
| SPU - with ON/OFF sensor | | | | | | | | | | |
| 685051 | Switched maintained 4000K GRP 2100lm L6 IP65 | D80 | D20 | | | EA | \$569.50 | \$56.95 | - | - |
| 685081 | Switched maintained 4000K GRP 4100lm L12 IP65 | D160 | D40 | | | EA | \$680.00 | \$68.00 | - | - |
| Axiom® | | | | | | | | | | |
| 685060 | Switched maintained 4000K GRP 2100lm L6 IP65 | D80 | D20 | | | EA | P.O.A | - | - | - |
| 685090 | Switched maintained 4000K GRP 4100lm L12 IP65 | D160 | D40 | | | EA | P.O.A | - | - | - |
| Axiom® - with DIM sensor | | | | | | | | | | |
| 685063 | Switched maintained 4000K GRP 2100lm L6 IP65 | D80 | D20 | | | EA | P.O.A | - | - | - |
| 685093 | Switched maintained 4000K GRP 4100lm L12 IP65 | D160 | D40 | | | EA | P.O.A | - | - | - |
| Axiom® - with ON/OFF sensor | | | | | | | | | | |
| 685061 | Switched maintained 4000K GRP 2100lm L6 IP65 | D80 | D20 | | | EA | P.O.A | - | - | - |
| 685091 | Switched maintained 4000K GRP 4100lm L6 IP65 | D160 | D40 | | | EA | P.O.A | - | - | - |
| DALI | | | | | | | | | | |
| 685050/D | Switched maintained 4000K GRP 2100lm L6 IP65 | D100 | C80 | | | EA | P.O.A | - | - | - |
| 685080/D | Switched maintained 4000K GRP 4100lm L12 IP65 | D80 | D20 | | | EA | P.O.A | - | - | - |
| Accessories | | | | | | | | | | |
| 686244 | Battery pack 2x5 sub C for WP2L6. For WP2L12 order 2 x 686244 for non-DALI models | | | | | EA | \$46.50 | \$4.65 | - | - |

L6 = 600mm length, L12 = 1200mm length



New product



Energy Saving products



More info available.
See technical pages



Coming soon



Product to be discontinued

Whilst most items are stock lines some products are made to order. UoM = Unit Of Measure.
Prices are effective 1 June 2017 and are subject to change without notice. Trade prices exclude GST.

Emergency lighting & testing systems

Emergency luminaires



685020

685018

685026

WP2 T8 & T5
weatherproof battens

| Cat.Nos | WP2 T5 weatherproof battens | C0 | C90 | C180 | | UoM | Trade price \$ | GST \$ | Box qty | Carton qty |
|------------------------------------|--|------|-----|------|--|-----|----------------|---------|---------|------------|
| SPU | | | | | | | | | | |
| 684937 | Switched maintained 1 x 14W GRP L6 IP65 | D50 | C50 | | | EA | \$311.97 | \$31.20 | - | - |
| 684938 | Switched maintained 2 x 14W GRP L6 IP65 | D40 | C50 | D50 | | EA | \$342.32 | \$34.23 | - | - |
| 684939 | Switched maintained 1 x 28W GRP L12 IP65 | D80 | C80 | | | EA | \$526.71 | \$52.67 | - | - |
| 684940 | Switched maintained 2 x 28W GRP L12 IP65 | D63 | C80 | D80 | | EA | \$540.49 | \$54.05 | - | - |
| 684941 | Switched maintained 1 x 35W GRP L15 IP65 | D125 | D32 | | | EA | \$629.56 | \$62.96 | - | - |
| Axiom® | | | | | | | | | | |
| 684945 | Switched maintained 1 x 14W GRP L6 IP65 | D50 | C50 | | | EA | P.O.A | - | - | - |
| 684946 | Switched maintained 2 x 14W GRP L6 IP65 | D40 | C50 | D50 | | EA | P.O.A | - | - | - |
| 684947 | Switched maintained 1 x 28W GRP L12 IP65 | D80 | C80 | | | EA | P.O.A | - | - | - |
| 684948 | Switched maintained 2 x 28W GRP L12 IP65 | D63 | C80 | D80 | | EA | P.O.A | - | - | - |
| 684949 | Switched maintained 1 x 35W GRP L15 IP65 | D125 | D32 | | | EA | P.O.A | - | - | - |
| 685000 | Switched maintained 2 x 35W GRP L15 IP65 | D125 | D32 | D100 | | EA | P.O.A | - | - | - |
| Accessories | | | | | | | | | | |
| 222023 | Battery pack to suit 14W 3 x D cell | | | | | EA | \$125.11 | \$12.51 | - | - |
| 201559 | Battery pack to suit 28W 5 x D cell | | | | | EA | \$195.94 | \$19.59 | - | - |
| 222026 | Battery pack to suit 35W 6 x D cell | | | | | EA | \$250.80 | \$25.08 | - | - |
| WP2 T8 weatherproof battens | | | | | | | | | | |
| SPU | | | | | | | | | | |
| 685016 | Switched maintained 1 x 18W GRP L6 IP65 | D40 | C50 | | | EA | \$329.50 | \$32.95 | - | - |
| 685018 | Switched maintained 2 x 18W GRP L6 IP65 | D25 | C50 | D50 | | EA | \$342.32 | \$34.23 | - | - |
| 685019 | Switched maintained 1 x 36W GRP L12 IP65 | D80 | C80 | | | EA | \$526.71 | \$52.67 | - | - |
| 685020 | Switched maintained 2 x 36W GRP L12 IP65 | D50 | C80 | D80 | | EA | \$540.49 | \$54.05 | - | - |
| 685021 | Switched maintained 1 x 58W GRP L15 IP65 | D125 | D32 | | | EA | \$625.02 | \$62.50 | - | - |
| Axiom® | | | | | | | | | | |
| 685023 | Switched maintained 1 x 18W GRP L6 IP65 | D40 | C50 | | | EA | P.O.A | - | - | - |
| 685024 | Switched maintained 2 x 18W GRP L6 IP65 | D25 | C50 | D50 | | EA | P.O.A | - | - | - |
| 685025 | Switched maintained 1 x 36W GRP L12 IP65 | D80 | C80 | | | EA | P.O.A | - | - | - |
| 685026 | Switched maintained 2 x 36W GRP L12 IP65 | D50 | C80 | D80 | | EA | P.O.A | - | - | - |
| 685027 | Switched maintained 1x 58W GRP L15 IP65 | D125 | D32 | | | EA | P.O.A | - | - | - |
| Accessories | | | | | | | | | | |
| 222023 | Battery pack to suit 18W 3 x D cell | | | | | EA | \$125.11 | \$12.51 | - | - |
| 222024 | Battery pack to suit 36W 4 x D cell | | | | | EA | \$167.07 | \$16.71 | - | - |
| 222026 | Battery pack to suit 58W 6 x D cell | | | | | EA | \$250.80 | \$25.08 | - | - |

L6 = 600mm length, L12 = 1200mm length



New product



Energy Saving products

More info available.
See technical pages

Coming soon



Product to be discontinued

Emergency lighting & testing systems

Emergency luminaires



682142



664164



664165

| Cat.Nos | | C0 | C90 | C180 | | UoM | Trade price \$ | GST \$ | Box qty | Carton qty |
|----------|---|-----|-----|------|--|-----|----------------|---------|---------|------------|
| | Oyster 310 | | | | | | | | | |
| | SPU | | | | | | | | | |
| 682142 | Switched maintained CFL 1 x 26W IP20 | D20 | D20 | | | EA | \$359.95 | \$36.00 | - | - |
| | Axiom® | | | | | | | | | |
| 682244 | Switched maintained CFL 1 x 26W IP20 | D25 | D25 | | | EA | P.O.A | - | - | - |
| | Accessories | | | | | | | | | |
| 222024 | Battery pack to suit 26W 4 x D cell | | | | | EA | \$167.07 | \$16.71 | - | - |
| | Bulkhead 360 LED | | | | | | | | | |
| | SPU | | | | | | | | | |
| 664164 | Switched maintained plain LED 1800lm 4000K IP65 | D80 | D80 | | | EA | \$547.05 | \$54.70 | - | - |
| 664165 | Switched maintained guard LED 1600lm 4000K IP65 | D80 | D80 | | | EA | \$547.05 | \$54.70 | - | - |
| | Axiom® | | | | | | | | | |
| 664168 | Switched maintained plain LED 1800lm 4000K IP65 | D80 | D80 | | | EA | P.O.A | - | - | - |
| 664169 | Switched maintained guard LED 1600lm 4000K IP65 | D80 | D80 | | | EA | P.O.A | - | - | - |
| | DALI | | | | | | | | | |
| 664164/D | Switched maintained plain LED 1800lm 4000K IP65 | D50 | D50 | | | EA | P.O.A | - | - | - |
| 664165/D | Switched maintained guard LED 1600lm 4000K IP65 | D50 | D50 | | | EA | P.O.A | - | - | - |

Emergency lighting & testing systems

Power packs



664051



664053

| Cat.Nos | Emergency power packs and batteries | | UoM | Trade price \$ | GST \$ | Box qty | Carton qty |
|--------------------------|-------------------------------------|--|-----|----------------|---------|---------|------------|
| SPU packs - T8 | | | | | | | |
| 664050 | 18W NiCd | | EA | \$280.50 | \$28.05 | - | - |
| 664051 | 36W NiCd | | EA | \$318.82 | \$31.88 | - | - |
| 682059 | 58W NiCd | | EA | \$351.10 | \$35.11 | - | - |
| SPU packs - T5 | | | | | | | |
| 664053 | 14W NiCd | | EA | \$218.86 | \$21.89 | - | - |
| 664054 | 28W NiCd | | EA | \$238.60 | \$23.86 | - | - |
| 664055 | 35W NiCd | | EA | \$252.02 | \$25.20 | - | - |
| Axiom® packs - T8 | | | | | | | |
| 682213 | 18W NiCd | | EA | P.O.A | - | - | - |
| 682215 | 36W NiCd | | EA | P.O.A | - | - | - |
| 682216 | 58W NiCd | | EA | P.O.A | - | - | - |
| Axiom® packs - T5 | | | | | | | |
| 682251 | 14W NiCd | | EA | P.O.A | - | - | - |
| 682217 | 28W NiCd | | EA | P.O.A | - | - | - |
| 682218 | 35W NiCd | | EA | P.O.A | - | - | - |



New product



Energy Saving products



More info available.
See technical pages



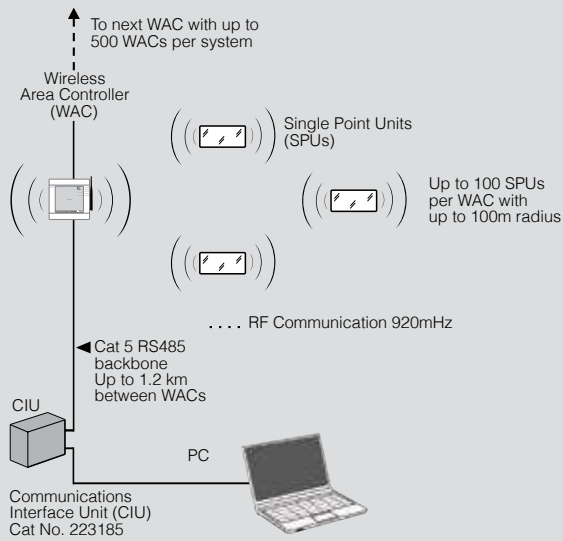
Coming soon



Product to be discontinued

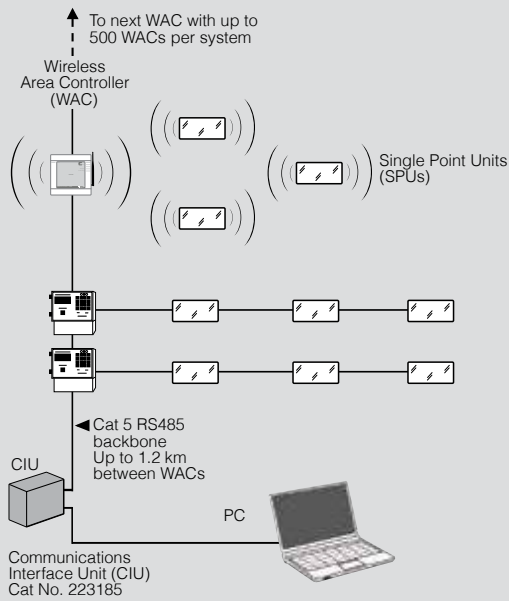
AXIOM® installation and WAC dimensions

Typical installation

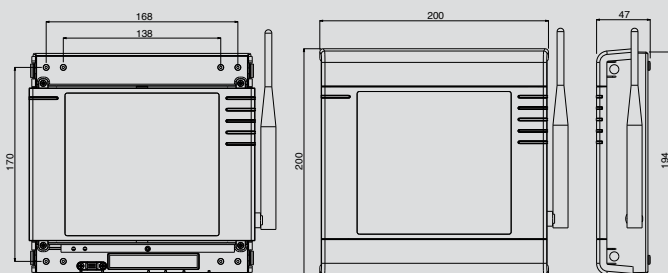


Add on installation:

- Commander / AXIOM®
- Extension to existing system

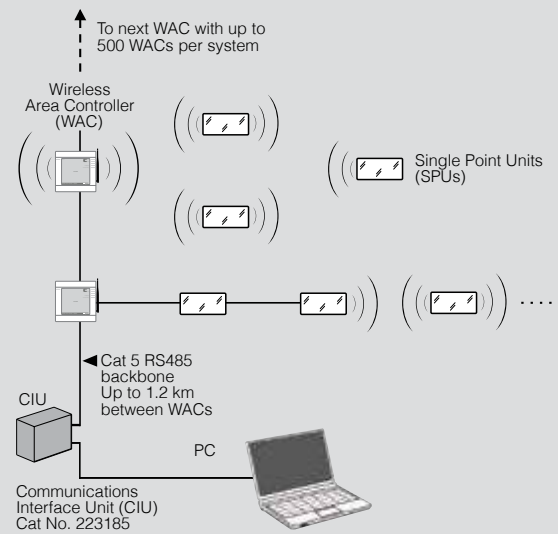


WAC dimensions

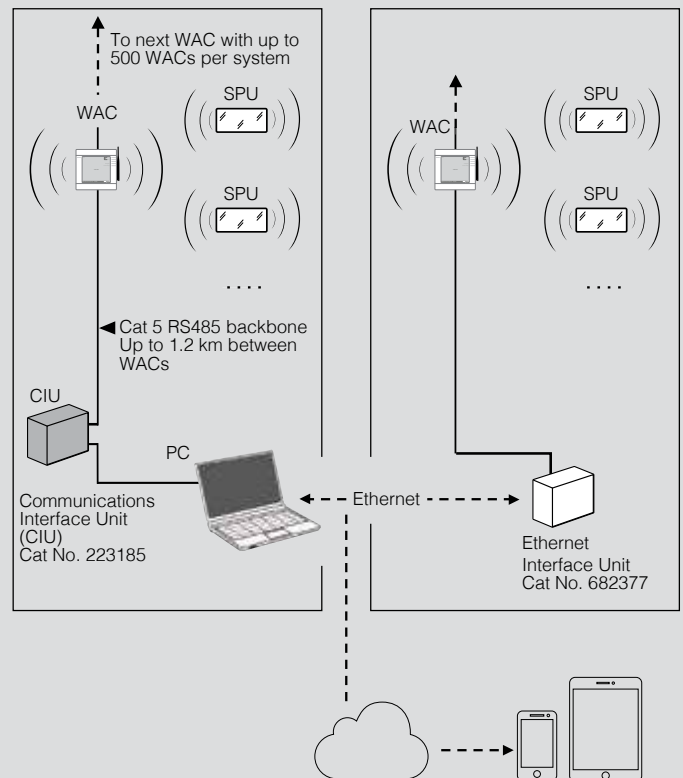


Hybrid installation

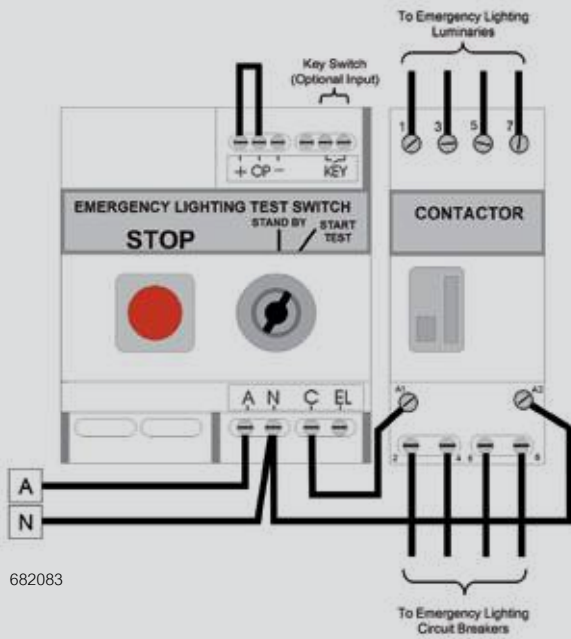
- Where wireless communication is limited



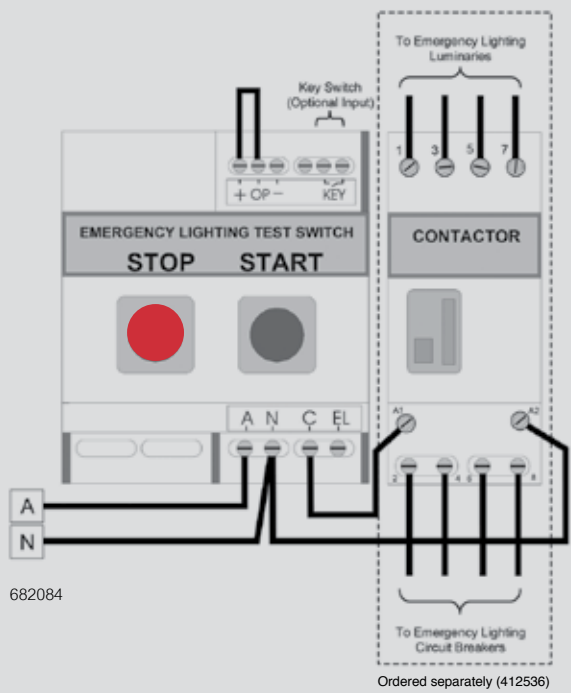
Multi-building site



Test switch and circuit sensing module

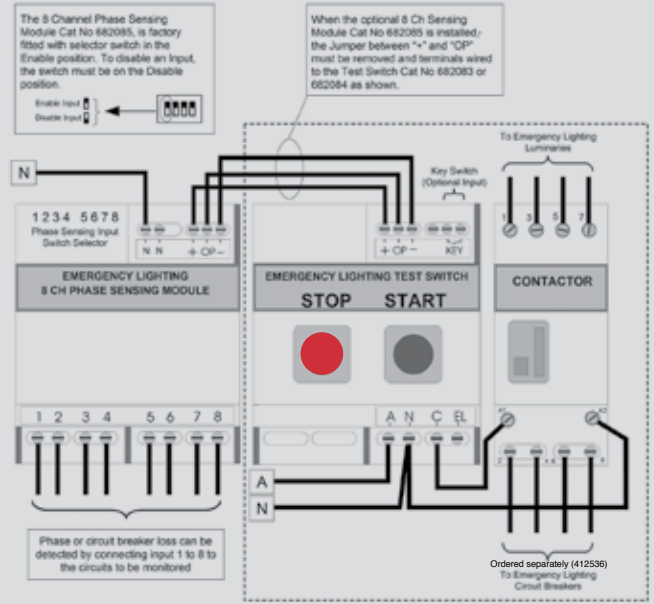


682083



682084

Ordered separately (412536)



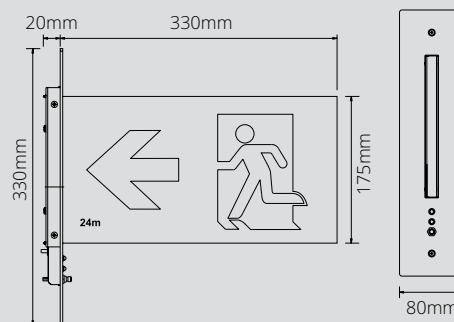
682085

E3™ LED Edgelight



Note: For complete luminaire order Power Pack and diffuser type.

■ Dimensions



Power Pack - for in-wall concealment

| Cat no. | Specifications |
|---------|--|
| 684437 | E3 Power Pack; 3-pin flex and plug |
| 684438 | E3 AXIOM Power Pack; 3-pin flex and plug |

Power Pack - for surface mounting

| Cat no. | Specifications |
|---------|---------------------------|
| 684443 | Power pack - Silver |
| 684444 | Axiom Power pack - Silver |

Diffusers + wall plate

| Cat no. Stainless Steel | Description | |
|----------------------------|---|--|
| 684431 | Diffuser - Single sided running man straight (left side mount) | |
| 684432 | Diffuser - Single sided running man left (left side mount) | |
| 684433 | Diffuser - Single sided running man right (right side mount) | |
| 684439 | Diffuser - Single sided running man straight (right side mount) | |
| 684440 | Diffuser - Single sided running man left (right side mount) | |
| 684441 | Diffuser - Single sided running man right (right side mount) | |
| 684434 | Diffuser - Double sided running man (left side mount) | |
| 684435 | Diffuser - Double sided running man arrow inwards (wall to left side mount) | |
| 684436 | Diffuser - Double sided running man arrow outwards (left side mount) | |

Accessories

| Cat no. | Specifications |
|---------|--|
| 686240 | Replacement battery pack (NiCd 4xAA cells) for non-DALI models |

E2 LED edgelight

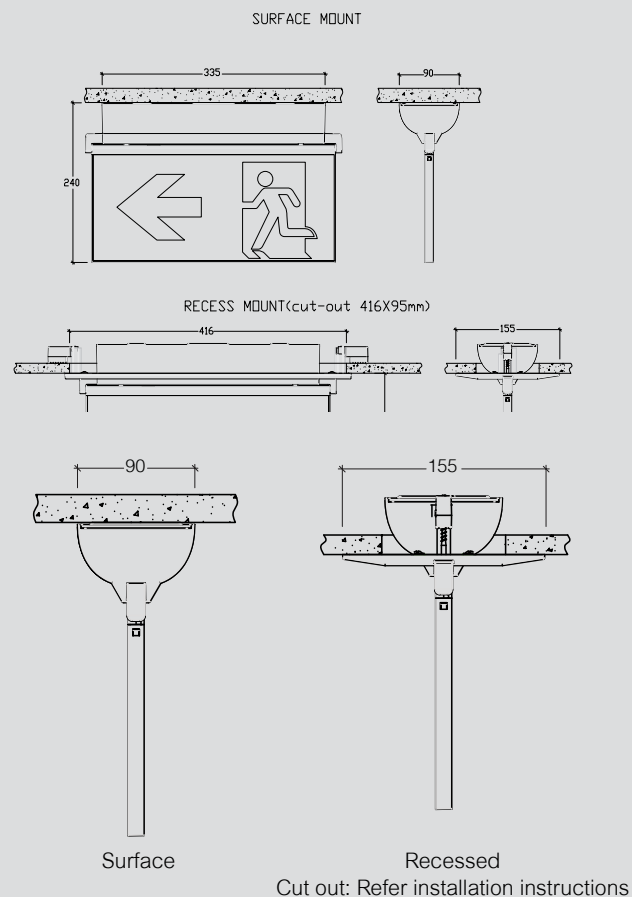


684731

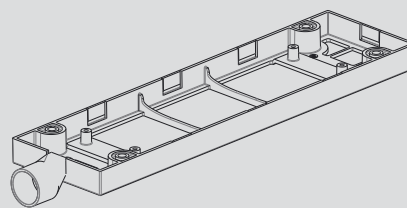


684730

Dimensions



Mounting block kit



684737

Maximum spacing between luminaires

| Classification (as per AS 2293.1.2005) | Mounting height (meters) | | | |
|--|-----------------------------|-----|-----|------|
| | 2.4 | 2.7 | 3.0 | 3.3 |
| C8 | 7.2 | 7.4 | 7.7 | 7.9 |
| C10 | 7.7 | 8.0 | 8.3 | 8.6 |
| C12.5 | 8.2 | 8.6 | 8.9 | 9.2 |
| C16 | 8.8 | 9.3 | 9.7 | 10.0 |

Classification

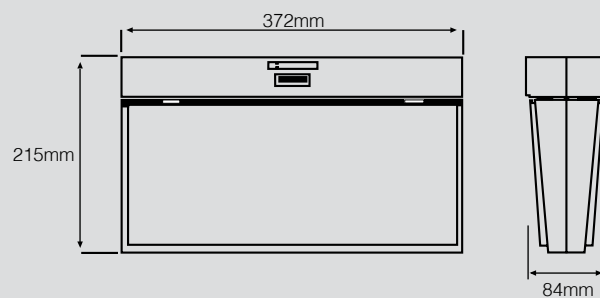
| | |
|----------------------|------------------|
| SPU and AXIOM | C0 C10 C90 C12.5 |
| DALI | C0 C8 C90 C16 |

G2 LED slide connect exit sign



686200

■ Dimensions



■ Maximum spacing between luminaires

| Classification (as per AS 2293.1.2005) | Mounting height (meters) | | | |
|--|-----------------------------|-----|------|------|
| | 2.4 | 2.7 | 3 | 3.3 |
| A1.25 | 2.4 | 2.2 | 1.9 | 1.3 |
| C20 | 9.4 | 9.9 | 10.3 | 10.7 |
| D1.25 | 3.8 | 3.4 | 2.9 | 2.0 |
| D5 | 8.0 | 8.1 | 8.2 | 8.2 |
| E1.6 | 4.8 | 4.8 | 4.4 | 4.0 |

■ Photometric report

| Cat no. | Ceiling mount | |
|---------------|----------------|-----------------|
| | C ₀ | C ₉₀ |
| SPU and Axiom | D1.25 | A1.25 |
| DALI | D5 | C20 |

ER2 LED exit sign



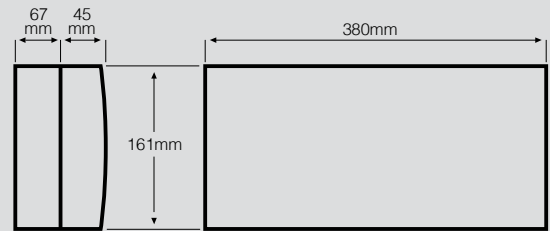
684447



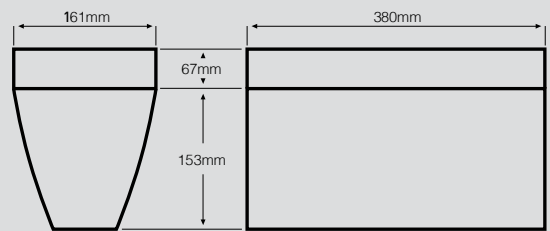
684449

Dimensions

Single sided (Wall mount)



Double sided (Ceiling mount)



Maximum spacing between luminaires

| Classification (as per AS 2293.1.2005) | Mounting height (meters) | | | |
|--|-----------------------------|-----|-----|-----|
| | 2.4 | 2.7 | 3.0 | 3.3 |
| E 2.5 | 5.8 | 5.8 | 6.0 | 5.8 |

Large LED exit signs

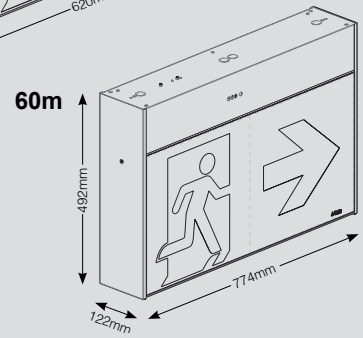
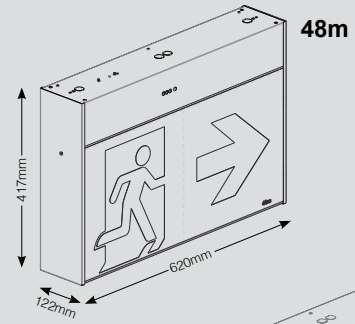
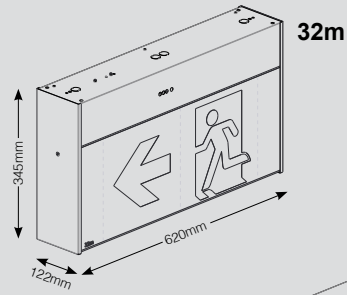


684481

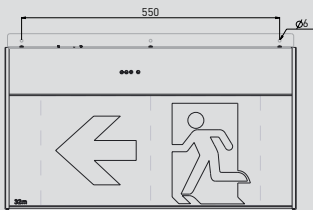


684486

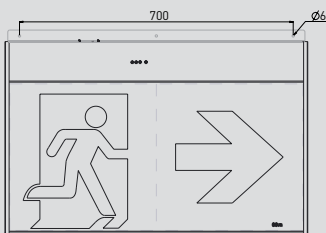
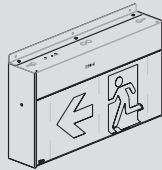
Dimensions



Flush wall bracket

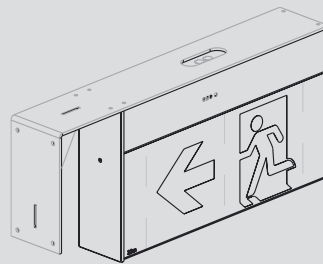


32m and 48m
Cat no. 684509

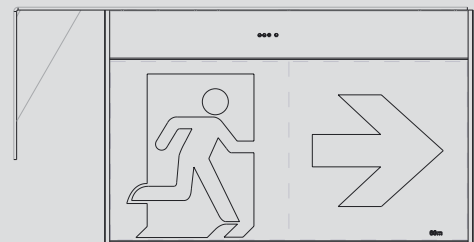
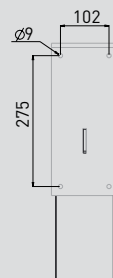
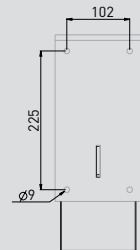


60m
Cat no. 684507

Wall bracket



32m and 48m
Cat no. 684508



60m
Cat no. 684506

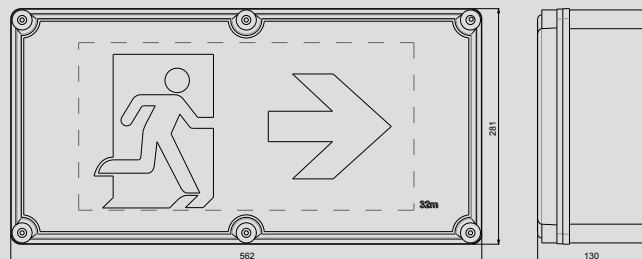
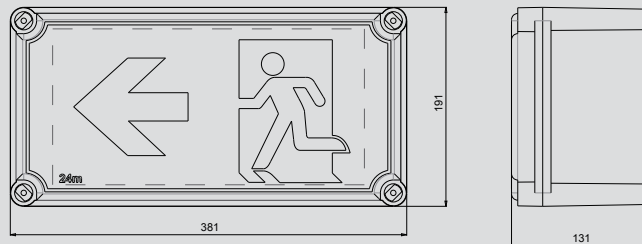
Weatherproof LED exit sign - IP65



684670



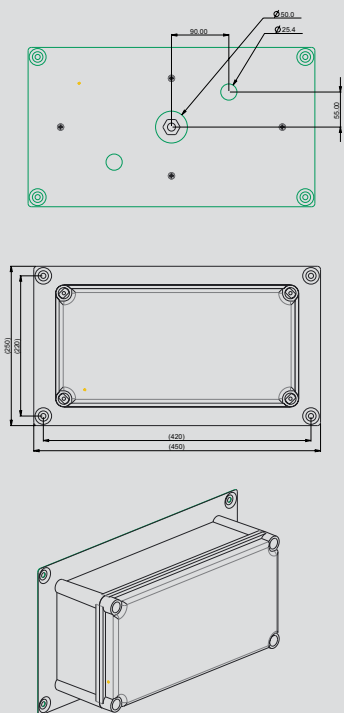
684650



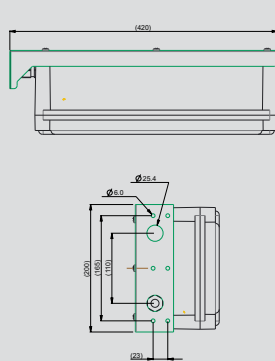
Maximum spacing between luminaires

| Classification (as per AS 2293.1.2005) | Mounting height (meters) | | | |
|--|-----------------------------|-----|-----|-----|
| | 2.4 | 2.7 | 3.0 | 3.3 |
| E 2.5 | 5.8 | 5.8 | 6.0 | 5.8 |
| E 2 | 5.2 | 5.4 | 5.2 | 5.0 |

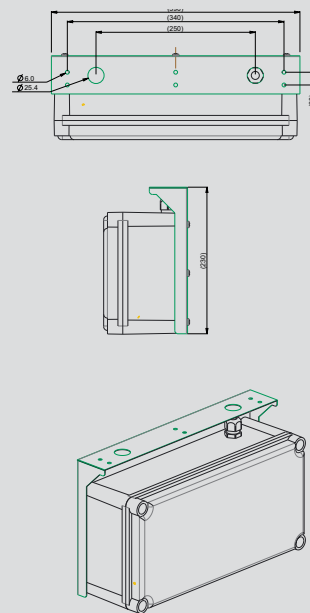
Rear mounting bracket



Side mounting bracket



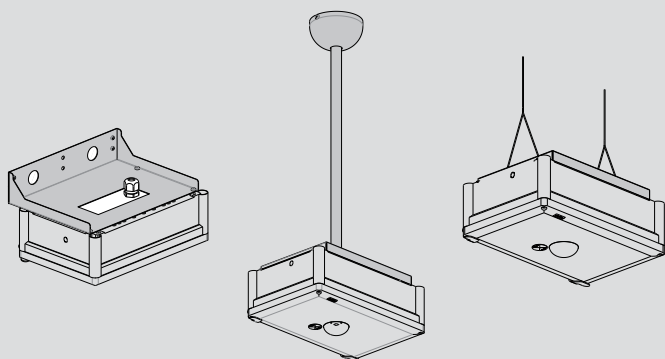
Ceiling mounting bracket



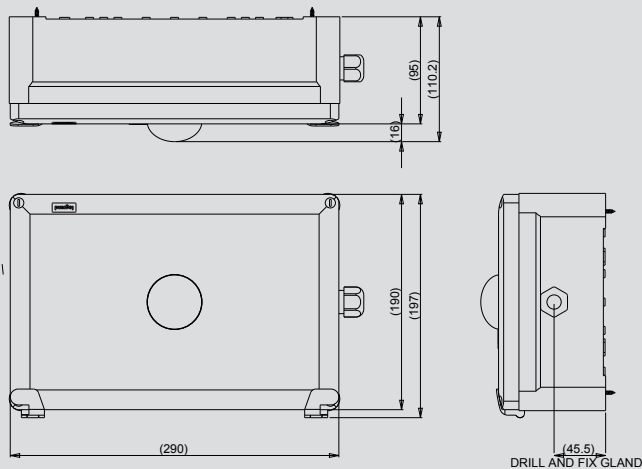
Emergency Lighting Super LED Satellite™



Wall bracket
 Rod suspension
 Wire suspension



Dimensions



| Cat No | Description |
|------------|-------------|
| SPU | |

| | |
|--------|--|
| 685030 | Super Satellite LED D100 IP65 Surface Mounting Grey |
| 685031 | Super Satellite LED D100 IP65 Surface Mounting Black |

Axiom

| | |
|--------|--|
| 685032 | Axiom Super Satellite LED D100 IP65 Surface Mounting Grey |
| 685033 | Axiom Super Satellite LED D100 IP65 Surface Mounting Black |

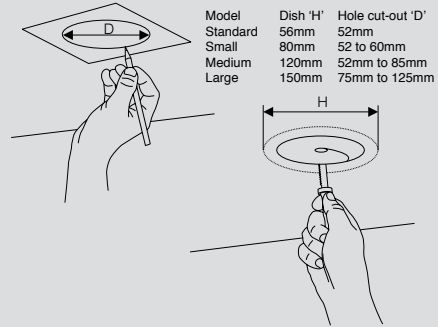
Accessories

| | |
|--------|--|
| 686266 | Suspension Rod Kit 1200mm length Grey |
| 686267 | Suspension Rod Kit 3000mm length Grey |
| 686268 | Suspension Rod Kit 1200mm length Black |
| 686269 | Suspension Rod Kit 3000mm length Black |
| 685034 | Suspension Wire Kit Grey |
| 685035 | Suspension Wire Kit Black |
| 685036 | Wall Bracket Grey |
| 685037 | Wall Bracket Black |

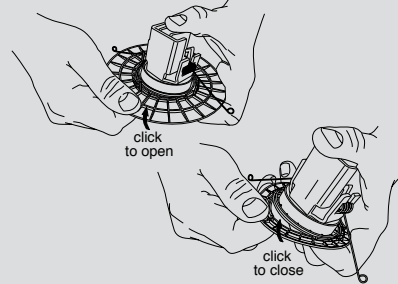


Product installation and dimensions

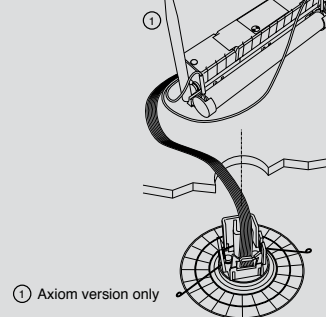
Ceiling cut out template



Changing dish size



Recessed Installation



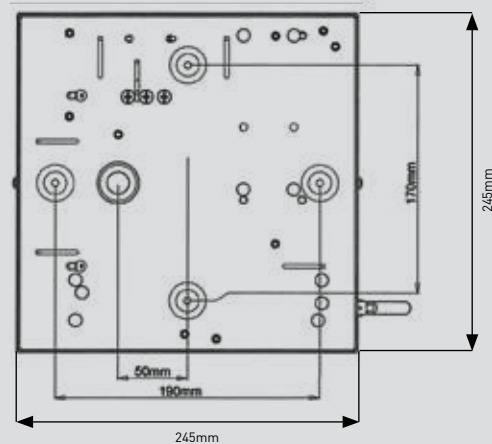
Emergency lighting classification

| Cat no. | Satellite recess mount C0/C90 | Satellite surface mount C0/C90 | Surface mount IP55 C0/C90 | Surface mount freezer C0/C90 |
|----------|-------------------------------|--------------------------------|---------------------------|------------------------------|
| 684850 | D40/D40 | | | |
| 684852 | D40/D40 | | | |
| 684850/D | D50/D50 | | | |
| 684852/D | D50/D50 | | | |
| 684853 | | D40/D40 | | |
| 684854 | | D40/D40 | | |
| 684853/D | | D50/D50 | | |
| 684854/D | | D50/D50 | | |
| 684855 | D25/D25 | | | |
| 684860 | D40/D40 | | | |
| 684862 | D40/D40 | | | |
| 684863 | | D40/D40 | | |
| 684864 | | D40/D40 | | |
| 684875 | | | D25/D25 | |
| 684878 | | | | D25/D25 |
| 684879 | | | D25/D25 | |
| 684880 | | | | D25/D25 |

Emergency lighting classification table

| Mounting height (mtrs) | 2.4 | 2.7 | 3 | 3.3 |
|------------------------|------|------|------|------|
| D25 | 14.7 | 15.3 | 15.7 | 16.1 |
| D40 | 17.4 | 18.0 | 18.6 | 19.1 |
| D50 | 18.7 | 19.4 | 20.1 | 20.7 |

Surface mount satellite Box dimension 245 x 245mm



Power packs T5 and T8

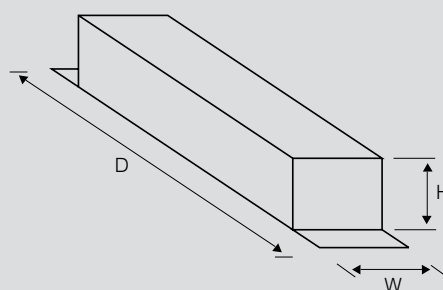


664051

Power packs

Contains an electronic inverter and nickel cadmium batteries. 1.2V d.c. cells rated at 70°C. Power packs are for fluorescent or tungsten halogen 6V a.c. 10W incandescent lamp. Self-contained emergency power packs are to upgrade existing fluorescent luminaires for appliance with statutory safety regulations. The electronic control pack is supplied in new slimline profile metal can with: only 32mm height to suit low profile design version. Cater for most applications light fitting into a emergency light fitting in a non-maintained, maintained or sustained mode. Battery pack is supplied in slim version.

Product dimensions



Technical characteristics

| Emergency type | Lamp type | Wattage | Cat no. | Dimensions W x H x D (mm) | Replacement battery |
|----------------|-----------|---------|---------|---------------------------|---------------------|
| Standalone | T8 | 18W | 664050 | 48 x 32 x 225 | 222023 |
| | | 36W | 664051 | | 222024 |
| | | 58W | 682059 | | 222026 |
| | T5 | 14W | 664053 | 31 x 31 x 344 | 222023 |
| | | 28W | 664054 | | 201559 |
| | | 35W | 664055 | | 222026 |
| Axiom | T8 | 18W | 682213 | 40 x 43 x 278 | 222023 |
| | | 36W | 682215 | | 222024 |
| | | 58W | 682216 | | 222026 |
| | T5 | 14W | 682251 | | 222023 |
| | | 28W | 682217 | | 201559 |
| | | 35W | 682218 | | 222026 |

| Replacement battery Cat no. | No. of 'D' cells | Battery dimensions W x H x D (mm) |
|-----------------------------|------------------|-----------------------------------|
| 222023 | 3 | 35 x 35 x 210 |
| 222024 | 4 | 35 x 35 x 270 |
| 222026 | 6 | 35 x 35 x 409 |
| 201559 | 5 | 35 x 35 x 330 |



COMMERCIAL LIGHTING

**Indoor
Luminaires**



P. 358
EduLED

**Industrial
Luminaires**



P. 361
Vortex LED Highbays

**Outdoor
Luminaires**



P. 365
Bulkheads
LED 265

**Lighting
Management**



P. 366
Motion Sensors

FEATURED PRODUCTS

Luminess LED Flat Panel
(p. 358)



Vortex LED Highbays
(p. 361)





P. 358
Luminess LED
Flat Panel



P. 359
T5 metal
Battens



P. 359
T8 metal
Battens



P. 360
Oysters



P. 361
WP2 LED
Weatherproof
Battens



P. 362
WP2 T5
Weatherproof Battens



P. 363
WP2 T8
Weatherproof Battens



P. 365
Bulkheads
LED 360



P. 367
Accessories

















LED Bulkheads (p. 365)

Commercial lighting

Indoor luminaires



| Cat.Nos | EduLED | UoM | Trade price \$ | GST \$ | Box qty | Carton qty |
|--------------------------------|--|-----|----------------|---------|---------|------------|
| Mains | | | | | | |
| 682450 | LED 1200x200 4000lm 4000K    | EA | P.O.A | - | - | - |
| Mains - DALI | | | | | | |
| 682450D | LED 1200x200 4000lm 4000K    | EA | P.O.A | - | - | - |
| Luminess LED flat panel | | | | | | |
| Mains | | | | | | |
| 682400 | LED 600 x 300 2400lm 4000K flex & plug  | EA | \$195.50 | \$19.55 | - | - |
| 682401 | LED 600 x 600 3200lm 4000K flex & plug  | EA | \$195.50 | \$19.55 | - | - |
| 682402 | LED 1200 x 300 200lm 4000K flex & plug  | EA | \$195.50 | \$19.55 | - | - |
| 682403 | LED 1200 x 600 3800lm 4000K flex & plug  | EA | \$306.00 | \$30.60 | - | - |
| Mains - DALI | | | | | | |
| 682400D | LED 600 x 300 2400lm 4000K flex & plug  | EA | P.O.A | - | - | - |
| 682401D | LED 600 x 600 3200lm 4000K flex & plug  | EA | P.O.A | - | - | - |
| 682402D | LED 1200 x 300 3200lm 4000K flex & plug  | EA | P.O.A | - | - | - |
| 682403D | LED 1200 x 600 3800lm 4000K flex & plug  | EA | P.O.A | - | - | - |
| Accessories | | | | | | |
| 682420 | Plaster frame 600 x 300 | EA | \$83.36 | \$8.34 | - | - |
| 682421 | Plaster frame 600 x 600 | EA | \$100.73 | \$10.07 | - | - |
| 682422 | Plaster frame 1200 x 300 | EA | \$93.78 | \$9.38 | - | - |
| 682423 | Plaster frame 1200 x 600 | EA | \$111.15 | \$11.12 | - | - |
| 682424 | Surface mount kit 600 x 300 | EA | \$86.83 | \$8.68 | - | - |
| 682425 | Surface mount kit 600 x 600 | EA | \$86.83 | \$8.68 | - | - |
| 682426 | Surface mount kit 1200 x 300 | EA | \$86.83 | \$8.68 | - | - |
| 682427 | Surface mount kit 1200 x 600 | EA | \$138.93 | \$13.89 | - | - |



New product



Energy Saving products



More info available. See technical pages



Coming soon



Product to be discontinued

Commercial lighting

Indoor luminaires



222435



222442



684973

| Cat.Nos | T5 metal battens | C0 | C90 | C180 | UoM | Trade price \$ | GST \$ | Box qty | Carton qty |
|---------|---|-----|-----|------|-----|----------------|---------|---------|------------|
| | Mains | | | | | | | | |
| 684987 | Bare batten 1 x 14W L6 | | | | EA | \$110.68 | \$11.07 | - | - |
| 684971 | Bare batten 2 x 14W L6 | | | | EA | \$149.42 | \$14.94 | - | - |
| 684990 | Bare batten 1 x 28W L12 | | | | EA | \$183.65 | \$18.37 | - | - |
| 684973 | Bare batten 2 x 28W L12 | | | | EA | \$137.47 | \$13.75 | - | - |
| | SPU | | | | | | | | |
| 684954 | Bare batten switched maintained 1 x 28W L12 | D63 | D20 | | EA | \$282.71 | \$28.27 | - | - |
| 684956 | Bare batten switched maintained 2 x 28W L12 | D63 | D20 | D63 | EA | \$290.46 | \$29.05 | - | - |
| | Axiom® | | | | | | | | |
| 684964 | Bare batten switched maintained 1 x 28W L12 | D80 | D25 | | EA | P.O.A | - | - | - |
| 684966 | Bare batten switched maintained 2 x 28W L12 | D80 | D25 | D80 | EA | P.O.A | - | - | - |
| | Accessories | | | | | | | | |
| 684984 | Diffuser for 14W | | | | EA | \$23.01 | \$2.30 | - | - |
| 684986 | Diffuser for 28W | | | | EA | \$32.19 | \$3.22 | - | - |
| 684994 | Wire guard for 14W | | | | EA | \$23.01 | \$2.30 | - | - |
| 684996 | Wire guard for 28W | | | | EA | \$32.19 | \$3.22 | - | - |
| 222023 | Battery pack to suit 14W 3 x D cell | | | | EA | \$125.11 | \$12.51 | - | - |
| 201559 | Battery pack to suit 28W 5 x D cell | | | | EA | \$195.94 | \$19.59 | - | - |
| | T8 metal battens | | | | | | | | |
| | SPU - electronic ballast | | | | | | | | |
| 204008 | Bare batten switched maintained 1 x 18W L6 | D32 | C32 | | EA | \$473.07 | \$47.31 | - | - |
| 204010 | Bare batten switched maintained 2 x 18W L6 | D32 | C40 | | EA | \$509.26 | \$50.93 | - | - |
| 204011 | Bare batten sustained 2 x 18W L6 | D32 | C40 | | EA | \$525.32 | \$52.53 | - | - |
| 204012 | Bare batten switched maintained 1 x 36W L12 | D63 | C63 | | EA | \$492.09 | \$49.21 | - | - |
| 204014 | Bare batten switched maintained 2 x 36W L12 | D63 | D20 | | EA | \$564.46 | \$56.45 | - | - |
| 204015 | Bare batten sustained 2 x 36W L12 | D63 | D20 | | EA | \$584.96 | \$58.50 | - | - |
| | SPU - magnetic ballast | | | | | | | | |
| 222423 | Bare batten switched maintained 1 x 18W L6 | D32 | C32 | | EA | \$340.15 | \$34.02 | - | - |
| 222426 | Bare batten non-maintained 1 x 18W L6 | D32 | C32 | | EA | \$297.03 | \$29.70 | - | - |
| 222435 | Bare batten switched maintained 2 x 18W L6 | D32 | C40 | | EA | \$375.95 | \$37.60 | - | - |
| 222439 | Bare batten sustained 2 x 18W L6 | D32 | C40 | | EA | \$371.41 | \$37.14 | - | - |
| 222429 | Bare batten switched maintained 1 x 36W L12 | D63 | C63 | | EA | \$363.68 | \$36.37 | - | - |
| 222432 | Bare batten non-maintained 1 x 36W L12 | D63 | C63 | | EA | \$337.97 | \$33.80 | - | - |

L6 = 600mm length, L12 = 1200mm length



New product



Energy Saving products



More info available.
See technical pages



Coming soon



Product to be discontinued

Whilst most items are stock lines some products are made to order. UoM = Unit Of Measure.
Prices are effective 1 June 2017 and are subject to change without notice. Trade prices exclude GST.

Commercial lighting

Indoor luminaires



222442



682265



682267



684424



682142

| Cat.Nos | | C0 | C90 | C180 | UoM | Trade price \$ | GST \$ | Box qty | Carton qty |
|------------------------------------|---|-----|-----|------|-----|----------------|---------|---------|------------|
| T8 metal battens | | | | | | | | | |
| SPU - magnetic ballast | | | | | | | | | |
| 222442 | Bare batten switched maintained 2 x 36W L12 | D63 | D20 | | EA | \$432.34 | \$43.23 | - | - |
| 222445 | Bare batten sustained 2 x 36W L12 | D63 | D20 | | EA | \$445.86 | \$44.59 | - | - |
| Axiom® - electronic ballast | | | | | | | | | |
| 682261 | Bare batten switched maintained 1 x 18W L6 | D32 | C32 | | EA | P.O.A | - | - | - |
| 682265 | Bare batten switched maintained 2 x 18W L6 | D32 | C40 | | EA | P.O.A | - | - | - |
| 682243 | Bare batten sustained 2 x 18W L6 | D32 | C40 | | EA | P.O.A | - | - | - |
| 682263 | Bare batten switched maintained 1 x 36W L12 | D63 | C63 | | EA | P.O.A | - | - | - |
| 682267 | Bare batten switched maintained 2 x 36W L12 | D63 | D20 | | EA | P.O.A | - | - | - |
| 682268 | Bare batten sustained 2 x 36W L12 | D63 | D20 | | EA | P.O.A | - | - | - |
| Accessories | | | | | | | | | |
| 222075 | Diffuser for 1 & 2 x 18W | | | | EA | \$63.04 | \$6.30 | - | - |
| 222077 | Diffuser for 1 x 36W | | | | EA | \$75.68 | \$7.57 | - | - |
| 222076 | Diffuser for 2 x 36W | | | | EA | \$84.52 | \$8.45 | - | - |
| 222580 | Wire guard for 1 & 2 x 18W | | | | EA | \$51.32 | \$5.13 | - | - |
| 226760 | Wire guard for 1 x 36W | | | | EA | \$76.81 | \$7.68 | - | - |
| 222581 | Wire guard for 2 x 36W | | | | EA | \$76.81 | \$7.68 | - | - |
| 222023 | Battery pack to suit 18W 3 x D cell | | | | EA | \$125.11 | \$12.51 | - | - |
| 222024 | Battery pack to suit 36W 4 x D cell | | | | EA | \$167.07 | \$16.71 | - | - |
| Oyster 280 | | | | | | | | | |
| Mains | | | | | | | | | |
| 684424 | LED 15W 4000K PC IP20 | | | | EA | \$165.22 | \$16.52 | - | - |
| Oyster 310 | | | | | | | | | |
| SPU | | | | | | | | | |
| 682142 | Switched maintained CFL 1 x 26W IP20 | D20 | D20 | | EA | \$359.95 | \$36.00 | - | - |
| Axiom | | | | | | | | | |
| 682244 | Switched maintained CFL 1 x 26W IP20 | D25 | D25 | | EA | P.O.A | - | - | - |
| Accessories | | | | | | | | | |
| 222024 | Battery pack to suit 26W 4 x D cell | | | | EA | \$167.07 | \$16.71 | - | - |

L6 = 600mm length, L12 = 1200mm length



New product



Energy Saving products



More info available.
See technical pages



Coming soon



Product to be discontinued

Commercial lighting

Industrial luminaires



685040



685070



684930



684700

| Cat.Nos | Vortex LED highbay | C0 | C90 | C180 | UoM | Trade price \$ | GST \$ | Box qty | Carton qty |
|---------|---|----------------|-----|------|-----|----------------|---------|---------|------------|
| | Mains | | | | | | | | |
| 684700 | LED 17800 lm 5700K wide non-dim flex & plug | IPART approved | | | EA | \$808.33 | \$80.83 | - | - |
| | WP2 LED weatherproof battens | | | | | | | | |
| | Mains | | | | | | | | |
| 685040 | 4000K GRP 2100lm L6 IP65 | | | | EA | \$321.08 | \$32.11 | - | - |
| 685070 | 4000K GRP 4100lm L12 IP65 | | | | EA | \$405.52 | \$40.55 | - | - |
| | Mains - DALI | | | | | | | | |
| 685042 | 4000K GRP 2100lm L6 IP65 | | | | EA | P.O.A | - | - | - |
| 685072 | 4000K GRP 4100lm L12 IP65 | | | | EA | P.O.A | - | - | - |
| | Mains - with DIM sensor | | | | | | | | |
| 685043 | 4000K GRP 2100lm L6 IP65 | | | | EA | \$416.50 | \$41.65 | - | - |
| 685073 | 4000K GRP 4100lm L12 IP65 | | | | EA | \$524.61 | \$52.46 | - | - |
| | Mains - with ON/OFF sensor | | | | | | | | |
| 685041 | 4000K GRP 2100lm L6 IP65 | | | | EA | \$331.50 | \$33.15 | - | - |
| 685071 | 4000K GRP 4100lm L12 IP65 | | | | EA | \$442.00 | \$44.20 | - | - |
| | SPU | | | | | | | | |
| 685050 | Switched maintained 4000K GRP 2100lm L6 IP65 | D80 | D20 | | EA | \$535.50 | \$53.55 | - | - |
| 685080 | Switched maintained 4000K GRP 4100lm L12 IP65 | D160 | D40 | | EA | \$612.00 | \$61.20 | - | - |
| | SPU - with DIM sensor | | | | | | | | |
| 685053 | Switched maintained 4000K GRP 2100lm L6 IP65 | D80 | D20 | | EA | \$654.49 | \$65.45 | - | - |
| 685083 | Switched maintained 4000K GRP 4100lm L12 IP65 | D160 | D40 | | EA | \$765.00 | \$76.50 | - | - |
| | SPU - with ON/OFF sensor | | | | | | | | |
| 685051 | Switched maintained 4000K GRP 2100lm L6 IP65 | D80 | D20 | | EA | \$569.50 | \$56.95 | - | - |
| 685081 | Switched maintained 4000K GRP 4100lm L12 IP65 | D160 | D40 | | EA | \$680.00 | \$68.00 | - | - |
| | Axiom® | | | | | | | | |
| 685060 | Switched maintained 4000K GRP 2100lm L6 IP65 | D80 | D20 | | EA | P.O.A | - | - | - |
| 685090 | Switched maintained 4000K GRP 4100lm L12 IP65 | D160 | D40 | | EA | P.O.A | - | - | - |
| | Axiom® - with DIM sensor | | | | | | | | |
| 685063 | Switched maintained 4000K GRP 2100lm L6 IP65 | D80 | D20 | | EA | P.O.A | - | - | - |
| 685093 | Switched maintained 4000K GRP 4100lm L12 IP65 | D160 | D40 | | EA | P.O.A | - | - | - |
| | Axiom® - with ON/OFF sensor | | | | | | | | |
| 685061 | Switched maintained 4000K GRP 2100lm L6 IP65 | D80 | D20 | | EA | P.O.A | - | - | - |
| 685091 | Switched maintained 4000K GRP 4100lm L12 IP65 | D160 | D40 | | EA | P.O.A | - | - | - |

L6 = 600mm length, L12 = 1200mm length., L15 = 1500mm length



New product



Energy Saving products



More info available. See technical pages



Coming soon



Product to be discontinued

Whilst most items are stock lines some products are made to order. UoM = Unit Of Measure. Prices are effective 1 June 2017 and are subject to change without notice. Trade prices exclude GST.

Commercial lighting

Industrial luminaires



WP2 LED & T5 weatherproof battens

684932

| Cat.Nos | WP2 LED weatherproof battens | C0 | C90 | C180 | UoM | Trade price \$ | GST \$ | Box qty | Carton qty |
|----------|---|----|-----|------|-----|----------------|----------|---------|------------|
| | DALI | | | | | | | | |
| 685050/D | Switched maintained 4000K GRP 2100lm L6 IP65 | | | | | EA | P.O.A | - | - |
| 685080/D | Switched maintained 4000K GRP 4100lm L12 IP65 | | | | | EA | P.O.A | - | - |
| | Accessories | | | | | | | | |
| 686244 | Battery pack 2 x 5 sub C. For WP2L6 for WP2L12 order 2 x 686244 for non-DALI models | | | | | | \$46.50 | \$4.65 | - |
| | WP2 T5 weatherproof battens | | | | | | | | |
| | Mains | | | | | | | | |
| 684929 | 1 x 14W GRP L6 IP65 | | | | | EA | \$178.18 | \$17.82 | - |
| 684930 | 2 x 14W GRP L6 IP65 | | | | | EA | \$189.53 | \$18.95 | - |
| 684931 | 1 x 28W GRP L12 IP65 | | | | | EA | \$206.58 | \$20.66 | - |
| 684932 | 2 x 28W GRP L12 IP65 | | | | | EA | \$217.86 | \$21.79 | - |
| 684933 | 1 x 35W GRP L15 IP65 | | | | | EA | \$238.99 | \$23.90 | - |
| 684934 | 2 x 35W GRP L15 IP65 | | | | | EA | \$250.29 | \$25.03 | - |

L6 = 600mm length, L12 = 1200mm length., L15 = 1500mm length



New product



Energy Saving products



More info available. See technical pages



Coming soon



Product to be discontinued

Commercial lighting

Industrial luminaires



684940

684948

685020

| Cat.Nos | WP2 T5 weatherproof battens | C0 | C90 | C180 | | UoM | Trade price \$ | GST \$ | Box qty | Carton qty |
|---------|--|------|-----|------|--|-----|----------------|---------|---------|------------|
| | SPU | | | | | | | | | |
| 684937 | Switched maintained 1 x 14W GRP L6 IP65 | D50 | C50 | | | EA | \$311.97 | \$31.20 | - | - |
| 684938 | Switched maintained 2 x 14W GRP L6 IP65 | D40 | C50 | D50 | | EA | \$342.32 | \$34.23 | - | - |
| 684939 | Switched maintained 1 x 28W GRP L12 IP65 | D80 | C80 | | | EA | \$526.71 | \$52.67 | - | - |
| 684940 | Switched maintained 2 x 28W GRP L12 IP65 | D63 | C80 | D80 | | EA | \$540.49 | \$54.05 | - | - |
| 684941 | Switched maintained 1 x 35W GRP L15 IP65 | D125 | D32 | | | EA | \$629.56 | \$62.96 | - | - |
| 684942 | Switched maintained 2 x 35W GRP L15 IP65 | D125 | D32 | D100 | | EA | \$502.00 | \$50.20 | - | - |
| | Axiom® | | | | | | | | | |
| 684945 | Switched maintained 1 x 14W GRP L6 IP65 | D50 | C50 | | | EA | P.O.A | - | - | - |
| 684946 | Switched maintained 2 x 14W GRP L6 IP65 | D40 | C50 | D50 | | EA | P.O.A | - | - | - |
| 684947 | Switched maintained 1 x 28W GRP L12 IP65 | D80 | C80 | | | EA | P.O.A | - | - | - |
| 684948 | Switched maintained 2 x 28W GRP L12 IP65 | D63 | C80 | D80 | | EA | P.O.A | - | - | - |
| 684949 | Switched maintained 1 x 35W GRP L15 IP65 | D125 | D32 | | | EA | P.O.A | - | - | - |
| 685000 | Switched maintained 2 x 35W GRP L15 IP65 | D125 | D32 | D100 | | EA | P.O.A | - | - | - |
| | Accessories | | | | | | | | | |
| 222023 | Battery pack to suit 14W 3 x D cell | | | | | EA | \$125.11 | \$12.51 | - | - |
| 201559 | Battery pack to suit 28W 5 x D cell | | | | | EA | \$195.94 | \$19.59 | - | - |
| 222026 | Battery pack to suit 35W 6 x D cell | | | | | EA | \$250.80 | \$25.08 | - | - |
| | WP2 T8 weatherproof battens | | | | | | | | | |
| | Mains | | | | | | | | | |
| 685010 | 1 x 18W GRP L6 IP65 | | | | | EA | \$178.18 | \$17.82 | - | - |
| 685011 | 2 x 18W GRP L6 IP65 | | | | | EA | \$189.53 | \$18.95 | - | - |
| 685012 | 1 x 36W GRP L12 IP65 | | | | | EA | \$206.58 | \$20.66 | - | - |
| 685013 | 2 x 36W GRP L12 IP65 | | | | | EA | \$217.86 | \$21.79 | - | - |
| 685014 | 1x58W GRP L15 IP65 | | | | | EA | \$248.03 | \$24.80 | - | - |
| 685015 | 2x58W GRP L15 IP65 | | | | | EA | \$257.06 | \$25.71 | - | - |
| | SPU | | | | | | | | | |
| 685016 | Switched maintained 1 x 18W GRP L6 IP65 | D40 | C50 | | | EA | \$329.50 | \$32.95 | - | - |
| 685018 | Switched maintained 2 x 18W GRP L6 IP65 | D25 | C50 | D50 | | EA | \$342.32 | \$34.23 | - | - |
| 685019 | Switched maintained 1 x 36W GRP L12 IP65 | D80 | C80 | | | EA | \$526.71 | \$52.67 | - | - |
| 685020 | Switched maintained 2 x 36W GRP L12 IP65 | D50 | C80 | D80 | | EA | \$540.49 | \$54.05 | - | - |
| 685021 | Switched maintained 1 x 58W GRP L15 IP65 | D125 | C32 | | | EA | \$625.02 | \$62.50 | - | - |

L6 = 600mm length, L12 = 1200mm length, L15 = 1500mm, GRP = Glass Reinforced Plastic



New product



Energy Saving products

More info available.
See technical pages

Coming soon



Product to be discontinued

Whilst most items are stock lines some products are made to order. UoM = Unit Of Measure.
Prices are effective 1 June 2017 and are subject to change without notice. Trade prices exclude GST.

Commercial lighting

Industrial luminaires



WP2 T5 & T8 weatherproof batters

| Cat.Nos | WP2 T8 weatherproof batters | C0 | C90 | C180 | | UoM | Trade price \$ | GST \$ | Box qty | Carton qty |
|---------|--|------|-----|------|--|-----|----------------|---------|---------|------------|
| | Axiom® | | | | | | | | | |
| 685023 | Switched maintained 1 x 18W GRP L6 IP65 | D40 | C50 | | | EA | P.O.A | - | - | - |
| 685024 | Switched maintained 2 x 18W GRP L6 IP65 | D25 | C50 | D50 | | EA | P.O.A | - | - | - |
| 685025 | Switched maintained 1 x 36W GRP L12 IP65 | D80 | C80 | | | EA | P.O.A | - | - | - |
| 685026 | Switched maintained 2 x 36W GRP L12 IP65 | D50 | C80 | D80 | | EA | P.O.A | - | - | - |
| 685027 | Switched maintained 1 x 58W GRP L15 IP65 | D125 | D32 | | | EA | P.O.A | - | - | - |
| | Accessories | | | | | | | | | |
| 222023 | Battery pack to suit 18W 3 x D cell | | | | | EA | \$125.11 | \$12.51 | - | - |
| 222024 | Battery pack to suit 36W 4 x D cell | | | | | EA | \$167.07 | \$16.71 | - | - |
| 222026 | Battery pack to suit 58W 6 x D cell | | | | | EA | \$250.80 | \$25.08 | - | - |

L6 = 600mm length, L12 = 1200mm length, L15 = 1500mm, GRP = Glass Reinforced Plastic



New product



Energy Saving products



More info available. See technical pages



Coming soon



Product to be discontinued

Commercial lighting

Outdoor luminaires



664160



664161



664162



616

| Cat.Nos | Bulkhead 265 LED | C0 | C90 | C180 | | UoM | Trade price \$ | GST \$ | Box qty | Carton qty |
|----------|--|-----|-----|------|--|-----|----------------|---------|---------|------------|
| | Mains | | | | | | | | | |
| 664172 | Plain LED 1800lm 4000K IP65 | | | | | EA | \$191.03 | \$19.10 | - | - |
| 664173 | Guard LED 1600lm 4000K IP65 | | | | | EA | \$191.03 | \$19.10 | - | - |
| 664174 | Eyelid LED 900lm 4000K IP65 | | | | | EA | \$191.03 | \$19.10 | - | - |
| | Bulkhead 360 LED | | | | | | | | | |
| | Mains | | | | | | | | | |
| 664160 | Plain LED 1800lm 4000K IP65 | | | | | EA | \$286.55 | \$28.66 | - | - |
| 664161 | Guard LED 1600lm 4000K IP65 | | | | | EA | \$286.55 | \$28.66 | - | - |
| 664162 | Eyelid LED 900lm 4000K IP65 | | | | | EA | \$286.55 | \$28.66 | - | - |
| | SPU | | | | | | | | | |
| 664164 | Switched maintained plain LED 1800lm 4000K IP65 | D80 | D80 | | | EA | \$547.05 | \$54.70 | - | - |
| 664165 | Switched maintained guard LED 1600lm 4000K IP65 | D80 | D80 | | | EA | \$547.05 | \$54.70 | - | - |
| | Axiom® | | | | | | | | | |
| 664168 | Switched maintained plain LED 1800lm 4000K IP65 | D80 | D80 | | | EA | P.O.A | - | - | - |
| 664169 | Switched maintained guard LED 1600lm 4000K IP65 | D80 | D80 | | | EA | P.O.A | - | - | - |
| | DALI | | | | | | | | | |
| 664164/D | Switched maintained plain LED 1800lm 4000K IP65 | D50 | D50 | | | EA | P.O.A | - | - | - |
| 664165/D | Switched maintained guard LED 1600lm 4000K IP65 | D50 | D50 | | | EA | P.O.A | - | - | - |
| | Bulkhead Aqua series | | | | | | | | | |
| | Mains | | | | | | | | | |
| 616 | Bulkhead light BC 100W Ø235 IP33 white base clear diffuser | | | | | EA | \$72.43 | \$7.24 | - | 18 |



New product



Energy Saving products

More info available.
See technical pages

Coming soon



Product to be discontinued

Whilst most items are stock lines some products are made to order. UoM = Unit Of Measure.
Prices are effective 1 June 2017 and are subject to change without notice. Trade prices exclude GST.

Lighting Management

Motion sensor for one circuit



048941



488TRI3W



48807



48817



48932



48933

| Cat.Nos | Sensors for passageways without natural light | UoM | Trade price \$ | GST \$ | Box qty | Carton qty |
|----------|--|-----|----------------|---------|---------|------------|
| | Wall surface mounted | | | | | |
| 048942 | PIR occupancy all load 3 wire IP42 240V a.c. 8m 1-1000lx 5s-30mn td   | EA | \$168.39 | \$16.84 | - | 10 |
| | Ceiling mounted | | | | | |
| 048941 | PIR occupancy all load 3 wire IP41 240V a.c. Ø8m 10-1275lx 10s-10mn td   | EA | \$165.45 | \$16.54 | - | 10 |
| | Sensor PIR + Microwave + Photoelectric for outdoor and damp areas | | | | | |
| | Wall surface mounted | | | | | |
| 488TRI3W | Occupancy all load 3 wire with override IP66 240V a.c. 8m 10lx-full sun 8s-15mn td   | EA | \$176.20 | \$17.62 | - | 20 |
| | Sensors for passageways with natural light | | | | | |
| | Ceiling mounted | | | | | |
| 48807 | PIR vacancy/occupancy all load 3 wire with override IP20 240V a.c. Ø8m  | EA | \$215.50 | \$21.55 | - | 10 |
| 48817 | PIR occupancy all load 3 wire with override IP20 240V a.c. 2x12m 5-1275lx 5s-59mn td   | EA | \$233.46 | \$23.35 | - | - |
| | Sensors for outdoor and damp areas | | | | | |
| | Wall or ceiling mounted | | | | | |
| 48933 | PIR occupancy all load 3 wire with override IP55 240V a.c. 20m 5-1275lx 5s-59mn td   | EA | \$241.61 | \$24.16 | - | - |
| | Ceiling mounted - ideal for high ceiling areas | | | | | |
| 48932 | PIR occupancy all load 3 wire with override IP55 240V a.c. Ø8-20m 5-1275lx 5s-59mn td   | EA | \$254.79 | \$25.48 | - | - |
| | Sensors for work areas | | | | | |
| | Ceiling mounted | | | | | |
| 48806 | Dual vacancy/occupancy all load 3 wire with override IP20 240V a.c. Ø8m   | EA | \$396.22 | \$39.62 | - | 10 |
| | Wall surface mounted | | | | | |
| 48916 | Dual vacancy/occupancy all load 3 wire IP42 240V a.c. 8m   | EA | \$336.56 | \$33.66 | - | - |



New product



Energy Saving products



More info available. See technical pages



Coming soon



Product to be discontinued

Lighting Management

Motion sensor for one circuit and brackets



078452



48804



88235













PE170R2



88230



48875

| Cat.Nos | | UoM | Trade price \$ | GST \$ | Box qty | Carton qty |
|--|--|-----|----------------|---------|---------|------------|
| Sensors for offices | | | | | | |
| Wall mounted in Arteor/Excel Life/Como grids | | | | | | |
| 078452 | Dual all load 3 wire with override IP20 240V a.c. 8m   | EA | \$349.60 | \$34.96 | - | - |
| Sensors for individual office | | | | | | |
| Ceiling mounted | | | | | | |
| 48804 | PIR Occupancy all load 3 wire IP20 240V a.c. Ø8m   | EA | \$175.39 | \$17.54 | - | - |
| Light sensitive switches IP56 - HPM | | | | | | |
| PE170/10 | Light sensitive switch 2400W 3 wire IP56 10A 240V a.c. grey  | EA | \$123.23 | \$12.32 | - | 60 |
| PE170R2 | Light sensitive switch 5-2000Lux 2400W 3 wire IP56 10A 240V a.c. program off at 30mn steps grey  | EA | \$132.54 | \$13.25 | - | 60 |
| Accessories | | | | | | |
| Remote control configuration tool | | | | | | |
| 88230 | Lux/delay/sensitivity digital programming for sensors settings & config/room | EA | \$287.24 | \$28.72 | - | 40 |
| 88235 | Lux/delay/sensitivity step programming | EA | \$75.83 | \$7.58 | - | 60 |
| Surface mount boxes   | | | | | | |
| 48875 | Surface mount installation box for 48803/48806/48817  | EA | \$30.58 | \$3.06 | 4 | 112 |
| Bracket | | | | | | |
| 48971 | Fixing accessory for surface mount sensors 48911/48916  | EA | \$17.78 | \$1.78 | 4 | 112 |



New product



Energy Saving products

More info available.
See technical pages

Coming soon



Product to be discontinued

WP2 LED weatherproof batten IP65 – mains

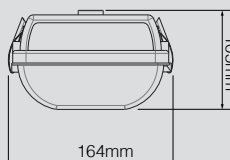
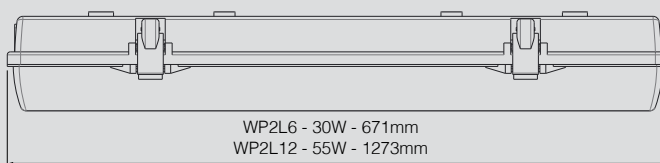


685040



685070

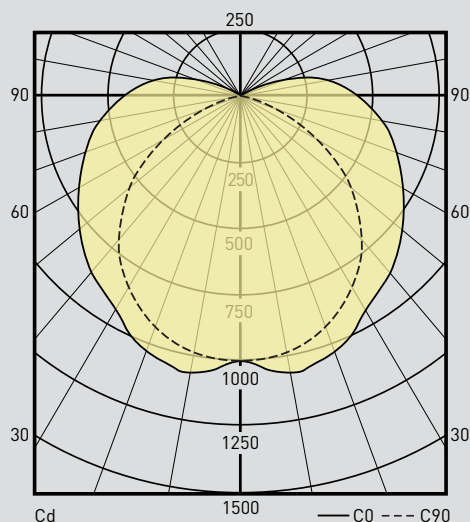
Dimensions



Technical characteristics

| Cat no. | 685040 | 685070 |
|------------------------------|--|-------------------------------|
| Description | WP2L6 LED batten 4K mains | WP2L12 LED batten 4K mains |
| Length (mm) | 671 | 1273 |
| Weight (kg) | 2.7 | 4.8 |
| Light source | LED | |
| Luminaire luminous flux (lm) | 2,100 | 4,100 |
| Circuit power (W) | 30 | 55 |
| Luminaire efficacy (lm/W) | 70 | 74 |
| Power factor | >0.9 | |
| Supply voltage | 240V a.c. 50Hz | |
| Ballast type | Fixed output/Non-dimmable | |
| Operating temperature | 0°C to 40°C | |
| IP rating | IP65 | |
| Retaining clips | 316 Stainless Steel | |
| Body construction | Moulded glass reinforced polyester (GRP) | |
| Diffuser | Clear reeded polycarbonate | |
| Gasket | Silicone | |
| Geartray | High reflective white powder coated mild steel | |
| Compliance | AS/NZS 60598 | |

Polar curve



685070 - WP2L12 LED Batten 4K Mains
ULOR: 10%
DLOR: 90%

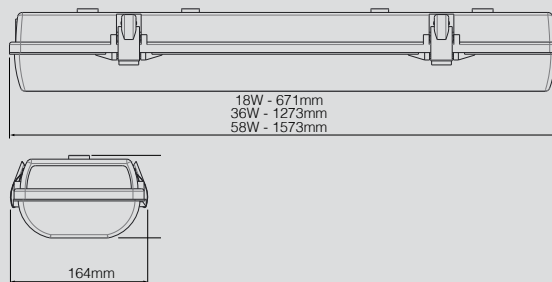
Single product

| Cat no. | Dimensions L x W x H (mm) | Barcode |
|---------|---------------------------|---------------|
| 685040 | 690 x 350 x 350 | 9321001442196 |
| 685070 | 1295 x 350 x 240 | 9321001442202 |

WP2 weatherproof batten IP65 - T8



Dimensions



Technical characteristics - Mains

| Variant | T8 600mm | | T8 1200mm | | T8 1500mm | |
|----------------------------|--|---------|-----------|---------|-----------|---------|
| Cat no. | 685010 | 685011 | 685012 | 685013 | 685014 | 685015 |
| Lamp* | 1 x 18W | 2 x 18W | 1 x 36W | 2 x 36W | 1 x 58W | 2 x 58W |
| Light output rate (LOR)% | 80 | 94 | 90 | 93 | 85 | 80 |
| Ballast | Non-Dimmable Electronic T8 EEI = A2 | | | | | |
| Line current (A) 240V 50Hz | 0.08 | 0.16 | 0.15 | 0.29 | 0.24 | 0.45 |
| Power factor | 0.98 | 0.97 | 0.98 | 0.98 | 0.98 | 0.99 |
| Circuit power (W) | 18.2 | 36.0 | 35.0 | 69.8 | 54.0 | 106.8 |
| Supply voltage | 240V a.c. (± 6%) 50Hz | | | | | |
| Operating temperature | 10°C to 40°C | | | | | |
| Charging current | HRC: 4450mA to 350mA, LRC110mA to 80mA | | | | | |
| Retaining clips | Stainless Steel 316 (18W 4-off, 36W 8-off, 58W 12-off) | | | | | |
| Body construction | Moulded glass reinforced polyester | | | | | |
| Gasket | Waterproof gasket in natural silicon gel | | | | | |
| Geartray | Polyester powder coated, mild steel universal geartray (made in Australia) LED upgradeable | | | | | |
| Diffuser | Reeded clear, injection moulded Polycarbonate - high transmittance | | | | | |

* Lamp not supplied

Technical characteristics - Axiom

| Cat no. | 685023 | 685024 | 685025 | 685026 | 685027 |
|--------------------------------------|-------------|-------------|-------------|-------------|-------------|
| Lamp | 1 x 18W | 2 x 18W | 1 x 36W | 2 x 36W | 1 x 58W |
| Emergency classification C0/C90/C180 | D40/C50 | D25/C50/D50 | D80/C80 | D50/C80/D80 | D125/D32 |
| Battery pack | 3 x D cells | | 5 x D cells | | 6 x D cells |
| Replacement battery pack | 222023 | | 222024 | | 201559 |

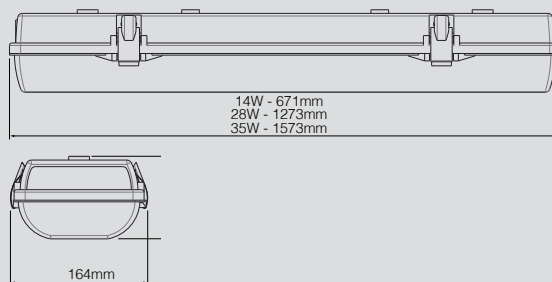
Technical characteristics - Standalone

| Cat no. | 685016 | 685018 | 685019 | 685020 | 685021 |
|--------------------------------------|-------------|-------------|-------------|-------------|-------------|
| Lamp | 1 x 18W | 2 x 18W | 1 x 36W | 2 x 36W | 1 x 58W |
| Emergency classification C0/C90/C180 | D40/C50 | D25/C50/D50 | D80/C80 | D50/C80/D80 | D125/D32 |
| Battery pack | 3 x D cells | | 5 x D cells | | 6 x D cells |
| Replacement battery pack | 222023 | | 201559 | | 222026 |

WP2 weatherproof batten IP65 - T5



Dimensions



Technical characteristics - Mains

| Variant | T5 600mm | | T5 1200mm | | T5 1500mm | |
|----------------------------|--|---------|-----------|---------|-----------|---------|
| Cat no. | 684929 | 684930 | 684931 | 684932 | 684933 | 684934 |
| Lamp* | 1 x 14W | 2 x 14W | 1 x 28W | 2 x 28W | 1 x 35W | 2 x 35W |
| Light output rate (LOR)% | 95.7 | 85.7 | 91.0 | 77.9 | 91.4 | 86.1 |
| Ballast | Non-Dimmable Electronic T5 EEI = A2 | | | | | |
| Line current (A) 240V 50Hz | 0.08 | 0.15 | 0.14 | 0.28 | 0.17 | 0.35 |
| Power factor | 0.85 | 0.96 | 0.95 | 0.98 | 0.96 | 0.98 |
| Circuit power (W) | 16.5 | 32.0 | 31.0 | 61.0 | 39.0 | 76.5 |
| Supply voltage | 240V a.c. (± 6%) 50Hz | | | | | |
| Operating temperature | 10°C to 40°C | | | | | |
| Retaining clips | Stainless Steel 316 (14W 4-off, 28W 8-off, 35W 12-off) | | | | | |
| Body construction | Moulded glass reinforced polyester | | | | | |
| Gasket | Waterproof gasket in natural silicon gel | | | | | |
| Geartray | Polyester powder coated, mild steel universal geartray (made in Australia) LED upgradeable | | | | | |
| Diffuser | Reeded clear, injection moulded Polycarbonate - high transmittance | | | | | |

* Lamp not supplied

Technical characteristics - Axiom

| Cat no. | 684945 | 684946 | 684947 | 684948 | 684949 | 685000 |
|--------------------------------------|-------------|-------------|-------------|-------------|-------------|---------------|
| Lamp | 1 x 14W | 2 x 14W | 1 x 28W | 2 x 28W | 1 x 35W | 2 x 35W |
| Emergency classification C0/C90/C180 | D50/C50 | D40/C50/D50 | D80/C80 | D63/C80/D80 | D125/D32 | D125/D32/D100 |
| Battery pack | 3 x D cells | | 5 x D cells | | 6 x D cells | |
| Replacement battery pack | 222023 | | 201559 | | 222026 | |

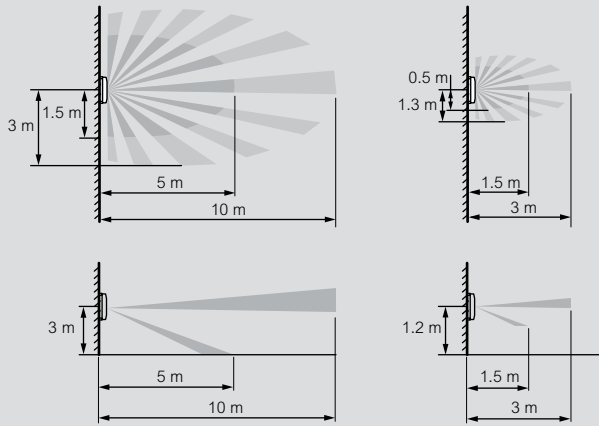
Technical characteristics - Standalone

| Cat no. | 684937 | 684938 | 684939 | 684940 | 684941 | 684942 |
|--------------------------------------|-------------|-------------|-------------|-------------|-------------|---------------|
| Lamp | 1 x 14W | 2 x 14W | 1 x 28W | 2 x 28W | 1 x 35W | 2 x 35W |
| Emergency classification C0/C90/C180 | D50/C50 | D40/C50/D50 | D80/C80 | D63/C80/D80 | D125/D32 | D125/D32/D100 |
| Battery pack | 3 x D cells | | 5 x D cells | | 6 x D cells | |
| Replacement battery pack | 222023 | | 201559 | | 222026 | |

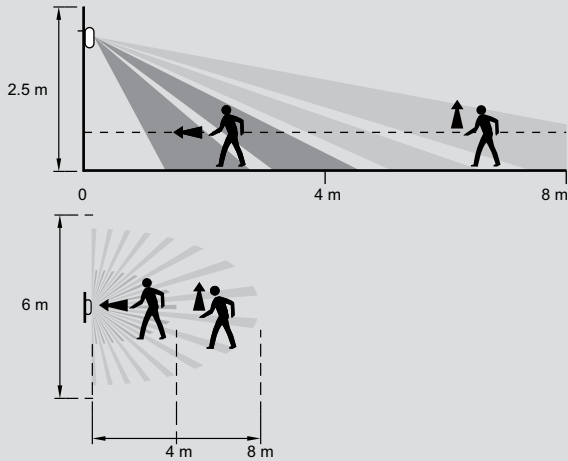
Motion sensors for 1 circuit - detection areas and load table

Detection areas

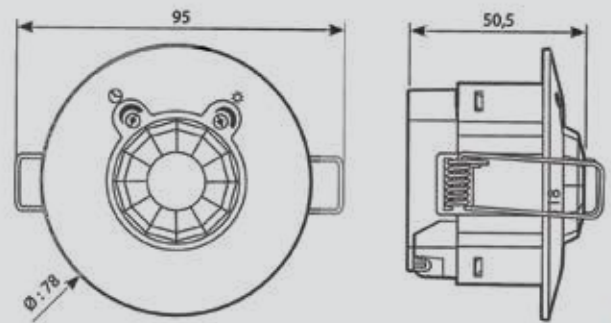
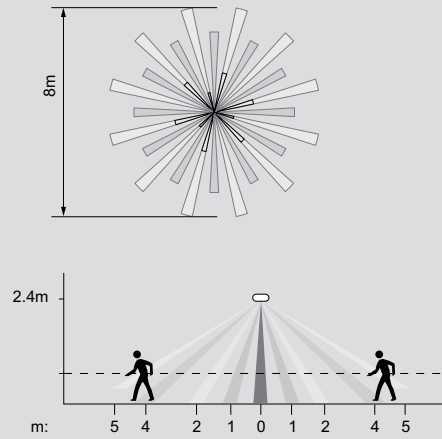
Cat No. 488TRI3W



Cat No. 048941



Cat No. 048941



Load table

| Cat No. | Halogen bulb | ELV halogen with ferromagnetic transformer | ELV halogen with electronic transformer | Fluorescent tube | Compact fluorescent bulb | LED |
|----------|--------------|--|---|------------------|--------------------------|-------|
| 048942 | - | 1000VA | 1000VA | 10 x (2 x 36W) | 250W | 250W |
| 048941 | - | 1000VA | 1000VA | 10 x (2 x 36W) | 250W | 250W |
| 488TRI3W | 2000W | 2400VA | 2400 VA | 10 x (2 x 36W) | 2400W | 1200W |

Sensors configuration tools & accessories - Weatherproof light sensitive switch

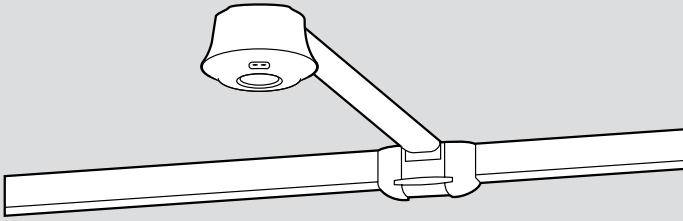
■ Customising settings on-site

All sensors are preset in the factory:

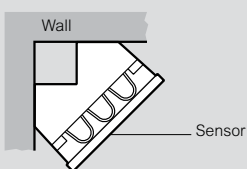
- 500 lux light level threshold for ceiling mounted sensors and 300 lux for surface mounting sensors
- 15 minutes time-delay and walkthrough function activated

The configuration tools are used to adjust the preset settings and the detection sensitivity

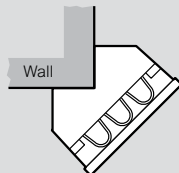
■ Installing surface mounting boxes Cat No. 48875



■ Installing fixing accessories in/on a corner Cat No. 48971 (view from above)



Mounting in internal corner



Mounting on external corner

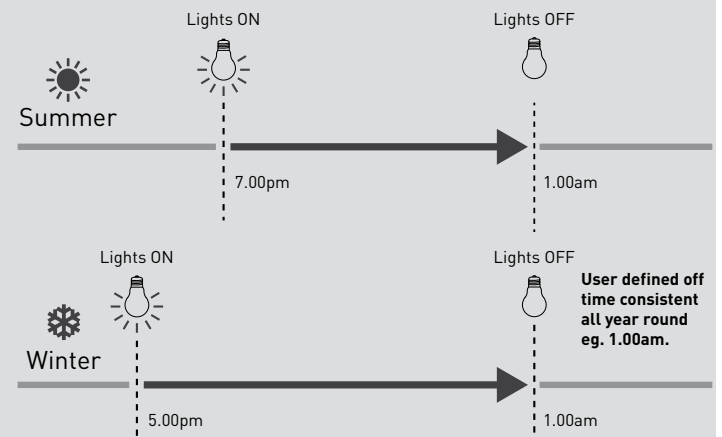
■ Specifications - Programmable weatherproof light sensitive switch

| | |
|---|--|
| Weatherproof rating | IP56 |
| Maximum load | 2400W Incandescent 2400W Halogen 1000VA Compact Fluorescent 1000W LED |
| Connection type | 3 wire |
| Operation | Turns lights on at sunset and turns lights off at user-specified time* |
| Contacts | Normally open |
| Off time adjustment | From 9pm to 4am in increments of 30 minutes or dawn (natural light dependent) |
| Supply voltage | 230 - 240V a.c. ± 6% |
| Minimum load | 5W |
| Stand-by power consumption V_{in} | <1W |
| Operating temperature | 0° to 50°C |
| Unit size | 83 W × 83 H × 56 D mm |
| Mounting | Surface mount Retrofitable to old PE170 base |

■ PE170R2 vs common time-delay light sensitive switches

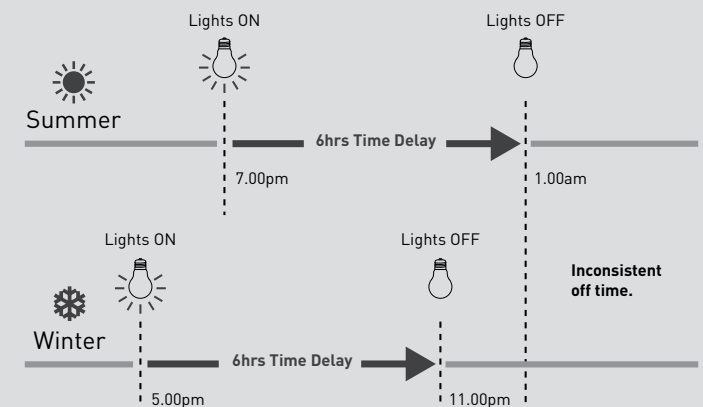
Programmable weatherproof light sensitive switch (PE170R2)

The innovative built-in algorithm enables a defined off time consistent all year round.









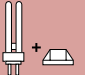


Common time delay light sensitive switches

As the sunset time changes with the seasons, the turn off time changes.




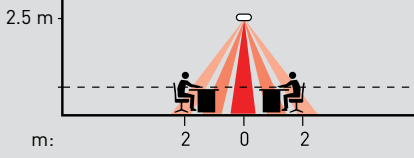

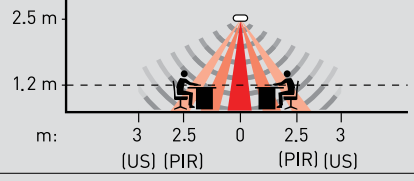

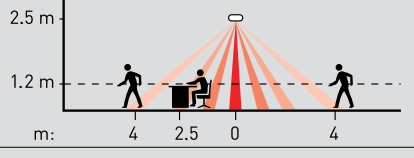

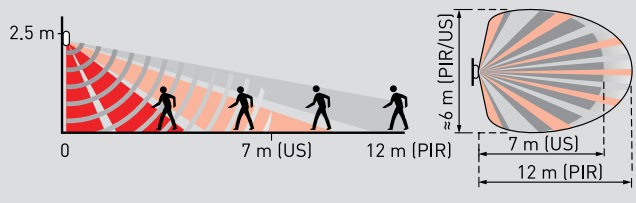

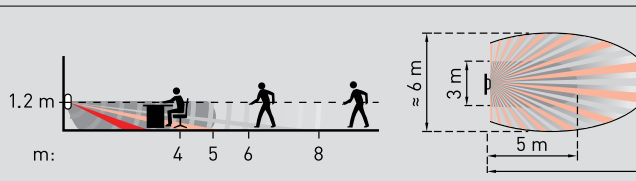

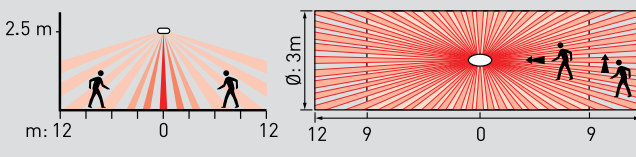

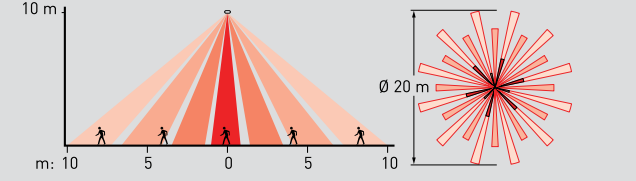

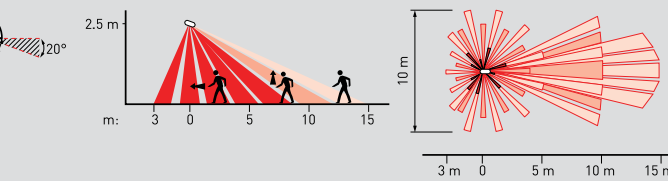
Motion sensors for 1 circuit


■ Load table


| Cat No. |  Halogen bulb |  ELV halogen with ferromagnetic transformer |  ELV halogen with electronic transformer |  Fluorescent tube |  Compact fluorescent bulb |  LED |  Fluorescent bulb with 1-10V ballast |  DALI |  Volt free motor contact |
|---------------|---|---|--|---|---|--|--|---|--|
| 48804 | 2000W | 1000VA | 1000VA | 10 x (2 x 36 W) | 250W | 250W | - | - | 2A |
| 48806 | 2000W | 1000VA | 1000VA | 10 x (2 x 36 W) | 250W | 250W | - | - | - |
| 48807 | 2000W | 1000VA | 1000VA | 10 x (2 x 36 W) | 250W | 250W | - | - | - |
| 48916 | 2000W | 1000VA | 1000VA | 10 x (2 x 36 W) | 250W | 250VA | - | - | 2A |
| 48817 | 2000W | 1000VA | 1000VA | 10 x (2 x 36 W) | 250W | 250W | - | - | - |
| 48932 | 2000W | 1000VA | 1000VA | 10 x (2 x 36 W) | 250W | 250VA | - | - | - |
| 48933 | 2000W | 1000VA | 1000VA | 10 x (2 x 36 W) | 250W | 250VA | - | - | - |
| 078452 | 2000W | 1000VA | 1000VA | 10 x (2 x 36 W) | 250W | 250VA | - | - | - |

Sensor applications

Coverage patterns - lighting management sensor

| Cat No. | Technology | Range | Detection area | Examples of applications |
|----------------------|---|------------------------|--|---|
| 48804 ⁽¹⁾ |  | 5 m |  | Individual office, corridor, stairways, restrooms etc. |
| 48806 |  | 6 m (US) 5 m (PIR) |  | Classroom, meeting room, open plan office |
| 48807 |  | 8 m |  | Hall, stairways etc. |
| 48916 ⁽¹⁾ |  | 7 m (US) 12 m (PIR) |  | Individual office, classroom, meeting room, restrooms etc. |
| 078452 |  | 8 m |  | Individual office, classroom, meeting room, open plan office |
| 48817 |  | 2 x 12 m |  | Long corridor |
| 48932 |  | Ø20 m |  | High ceiling areas (Warehouses, gymnasium) |
| 48933 |  | 18 m |  | High ceiling areas (Warehouses, gymnasium) outdoor car park, cellar, laboratory |

 Passive Infrared (PIR) technology

 Dual technology (DT)

⁽¹⁾ 1 lighting output & 1 fan output

Commercial LED Lighting Solutions

Energy savings for all applications



Vortex LED Highbay

Ideal for warehouses, factories, storage facilities and shopping centres



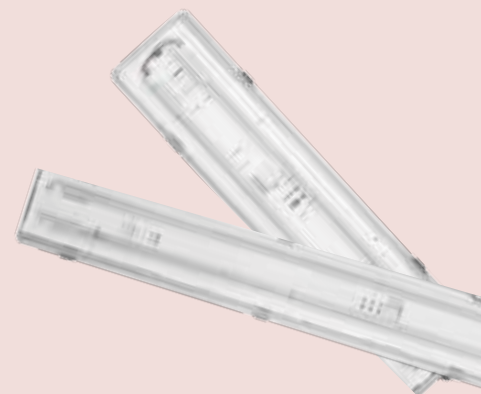
Bulkhead 265 and 360 LED

Ideal for general security applications, schools, stairwells and exteriors



WP2 LED weatherproof battens

Ideal for car parks, industrial sites and stairwells



1 Definitions and interpretation

- 1.1 In these terms and conditions:
- Agreement means the agreement between Legrand and the Purchaser comprising these terms and conditions and any other document which Legrand provides to the Purchaser and which is expressed to include or be subject to these terms and conditions.
- Australian Consumer Law means Schedule 2 to the Competition and Consumer Act 2010 (Cth).
- Consumer means a "consumer" as that term is defined in section 3 of the Australian Consumer Law.
- Consumer Contract means a contract for the supply of goods or services to a Consumer.
- Legrand means Legrand Australia Pty Limited (ABN 31000102 661) and, unless otherwise stated or the context otherwise makes clear, includes its Related Bodies Corporate.
- Order has the meaning given in clause 3.1.
- Order Confirmation has the meaning given in clause 3.1.
- Products means all goods offered to or supplied to the Purchaser by Legrand (including all products sold under the HPM, Legrand, Bticino, Cablofil and Nelson brands and trade marks).
- Purchaser means any person or entity to whom Legrand supplies or offers to supply Products.
- Related Bodies Corporate has the same meaning as in section 50 of the Corporations Act 2001 (Cth).
- Standard means an applicable standard or specification for a particular Product which is published by Legrand or mandatory under applicable laws or both.
- Taxes has the meaning given in clause 4.2(b).
- Warranty Information Sheet means the document which forms part of these terms and conditions and which contains information Legrand provides to Purchasers who are also Consumers under applicable provisions of the Australian Consumer Law.

2 Application of terms and conditions

- 2.1 These terms and conditions apply to all quotations, offers and purchase orders made or accepted by Legrand and to all Products sold or otherwise supplied by Legrand to a Purchaser.
- 2.2 So far as applicable, these terms and conditions also apply to the provision of any services accompanying the supply of, or provided in relation to, Products and, where the context allows, any reference to the sale or supply of Products includes the provision of such services.
- 2.3 These terms and conditions may not be varied or cancelled unless agreed in writing by Legrand.
- 2.4 Other than these terms and conditions, any conditions or other terms which are set out in any offer, purchase order or other document submitted by or on behalf of the Purchaser are expressly excluded.

3 Orders

- 3.1 Each Purchaser's order must be in writing (Order) and will be binding on Legrand only if Legrand gives written acknowledgement of its acceptance on these terms and conditions (Order Confirmation).
- 3.2 Despite clause 3.1, if Products are supplied by Legrand without an Order Confirmation, Legrand's conduct in accepting and fulfilling an Order will be deemed to constitute the Order Confirmation and Legrand's invoice will constitute evidence of the Order Confirmation.

4 Prices and payment

- 4.1 The prices of the Products are those set out in Legrand's then-current applicable price list at the date of their dispatch, unless otherwise specified in the Order Confirmation. Legrand also reserves the right to change prices for its Products and any applicable price list without notice to the Purchaser.
- 4.2 Unless otherwise specified, all prices are:
- (a) inclusive of delivery costs to the Purchaser's nominated store or other delivery point in Australia; and
- (b) exclusive of all taxes, including goods and services tax (GST), sales, consumption and value added taxes, duties, excises, imposts and levies relating to the supply or use of the Products (Taxes).
- 4.3 Unless otherwise agreed or specified by Legrand, payment is due in full within 30 days of the end of the month of the date of the invoice.
- 4.4 Legrand may at its discretion charge a minimum order fee of \$25.00 for any orders below \$150.00.
- 4.5 Legrand may refuse, extend or withdraw credit to the Purchaser at any time and on such terms as it considers appropriate, in each case at its absolute discretion.
- 4.6 The Purchaser will pay all amounts due under these terms and conditions to Legrand by direct transfer to Legrand's nominated bank account or in any other manner specified by Legrand from time to time.
- 4.7 Legrand may charge interest up to a rate which is 2% higher than that applied to commercial overdraft balances of over \$100,000 by Legrand's principal bank, such rate to be compounded and calculated daily on the amount outstanding (including Taxes) after expiry of the due date for payment until it has been paid in full.
- 4.8 If payment is not made in accordance with clause 4.3, 4.4 or 4.6, or if at any time the credit standing of the Purchaser, in the opinion of Legrand, is at risk or has been impaired Legrand may suspend or cancel an Order or delivery of any Products until alternative arrangements as to payment or credit in terms satisfactory to Legrand have been agreed.

- 4.9 Despite any other provision of this clause 4, the Purchaser must pay or reimburse Legrand all Taxes. Without limiting that obligation, if GST is payable on any supply made by Legrand under these terms and conditions, the Purchaser must pay Legrand an additional amount equivalent to the GST at the time the relevant payment to Legrand is due. Legrand will provide the Purchaser with a tax invoice.
- 4.10 The Purchaser may not withhold or set off any payment or make deductions from any amount owing to Legrand without Legrand's prior written consent.

5 Cancellation and variation of Orders

- 5.1 Notices of cancellation or variation of Orders submitted by the Purchaser must be in writing and may be accepted or rejected by Legrand at its discretion.
- 5.2 If a Purchaser gives a notice under clause 5.1, without prejudice to its other rights, Legrand reserves the right to charge for all work it has performed and will need to perform in fulfilling an Order or, if the work is substantially complete or the Products were made to order or are otherwise not immediately available for sale to another customer at an equivalent price, to charge for the full amount set out in the applicable Order Confirmation in addition to any other costs it incurs on the Purchaser's behalf.

6 Delivery and return

- 6.1 Legrand will deliver the Products to the Purchaser by means of Legrand's preferred carriers. If the Purchaser wishes the Products to be delivered by another carrier, that delivery will be at the Purchaser's cost and risk.
- 6.2 Unless Legrand otherwise agrees, and subject to any additional charges incurred in delivery and transport, delivery of Products will be made to the delivery point in Australia specified in the applicable Order.
- 6.3 Stated delivery times are no more than an estimate by Legrand and will not be binding upon Legrand. Legrand is not liable for any costs or other loss caused by reason of any delay in delivery.
- 6.4 If the quantity of Products delivered does not correspond with the quantity stated in an Order the Purchaser will only be liable to pay for the quantity delivered in the case of short-delivery and for the contract price in the case of over-delivery (subject in the latter case to permitting Legrand to collect the surplus Products) provided that in no event will such short or over-delivery entitle the Purchaser to damages or give the Purchaser a right to rescind the Agreement.
- 6.5 Any surplus Products delivered to the Purchaser will remain the property of Legrand and the Purchaser will take all necessary precautions for the safe custody and protection of such surplus Products until the time of their collection by Legrand.
- 6.6 If the Purchaser refuses or fails to take delivery of Products Legrand may, at its discretion and without prejudice to any of its other rights, store those Products at the Purchaser's risk and expense.
- 6.7 Except as specified in clause 6.5 Products may only be returned to Legrand with its prior written consent and subject to the following:
- (a) all returned Products must be delivered to Legrand at the Purchaser's cost within 21 days of their receipt by the Purchaser in good order and condition, unused and in their original packaging together with a despatch note stating the original Order and invoice numbers and the date of purchase;
- (b) Legrand may at its discretion charge the Purchaser a restocking fee of up to 20% of the original net invoice price of any Products returned to it pursuant to this clause 6.7; and
- (c) Legrand will generally not accept for return Products which have been manufactured to order unless those Products do not conform to an applicable Standard, are otherwise proven to Legrand's satisfaction to be defective or are supplied under a Consumer Contract and the provisions of clause 10 apply.

7 Passing of risk and title

- 7.1 Risk in the Products will pass to the Purchaser when the Products are tendered for delivery at the delivery point specified in an Order or when the Products are collected by the Purchaser for loading into the vehicle of the Purchaser, its carrier or other agent.
- 7.2 Legal and beneficial title (ownership) in the Products will remain with Legrand until:
- (a) all amounts in respect of the Products under an applicable Order; and
- (b) any other amounts the Purchaser may owe Legrand, whether under these terms and conditions, under any other agreement or pursuant to any other Order, have been paid in full.
- 7.3 Until such time as ownership in the Products passes to the Purchaser, the Purchaser will:
- (a) store the Products in a manner which makes them readily identifiable as the property of Legrand;
- (b) hold the Products as bailee of Legrand;
- (c) keep, and provide Legrand at any time on reasonable request, proper and complete stock records covering the receipt, identification, storage, location, sale and movement of the Products; and
- (d) keep the Products insured against theft, damage and destruction.
- 7.4 Despite clauses 7.2 and 7.3 the Purchaser is entitled, until notified by Legrand or until the happening of any of the events set out in clause 7.7, to sell the Products in the normal course of its business, in which case the proceeds of resale must be held in trust for Legrand in a separate account.
- 7.5 Legrand is entitled, at any time while any debt remains outstanding by the Purchaser beyond its due date of payment in respect of the amounts referred to in clause 7.2(a) and clause 7.2(b), to notify the Purchaser of its intention to take possession of the Products and for this purpose to enter upon the land and buildings of the Purchaser with all necessary equipment to take possession of the Products.
- 7.6 On receipt of notice from Legrand or on the happening of any of the events set out in clause 7.7, the Purchaser's authority to sell or otherwise deal with the Products as set out in clause 7.4 is withdrawn.

Legrand Terms and Conditions of Sale

Page 2 of 3

- 7.7 The Purchaser will give immediate notice to Legrand of:
- any notice to the Purchaser that a receiver or manager is to be or has been appointed over its assets or any part of its business or undertakings;
 - any notice to the Purchaser that a petition to wind up the Purchaser is to be or has been presented or any notice of a resolution to wind up the Purchaser;
 - a decision by the Purchaser that it intends to make any arrangements with its creditors; or
 - any act of bankruptcy by the Purchaser as defined in section 40 of the Bankruptcy Act 1966 (Cth).
- 8 Personal Property Securities Act 2009 (Cth) (PPSA)**
- 8.1 The Purchaser acknowledges and agrees that:
- by agreeing to these terms and conditions (in particular, by virtue of clause 7) the Purchaser grants a security interest pursuant to the PPSA to Legrand in any Products supplied by Legrand to the Purchaser and any proceeds of the sale of such Products;
 - Legrand may register on the Personal Property Securities Register ("PPS Register") a security interest or purchase money security interest ("PMSI") in the Products; and
 - Legrand may, on demand, obtain reimbursement from the Purchaser for all costs and expenses incurred by Legrand in relation to registering, maintaining or releasing any financing statement or financing change statement (each as defined in the PPSA) in respect of any security interest or PMSI under these terms and conditions.
- 8.2 The Purchaser undertakes:
- promptly to do all things, sign any further documents and provide any further information (which information the Purchaser warrants to be complete, accurate and up-to-date in all respects) which Legrand may reasonably require to enable it to perfect, and maintain the perfection of, its security interest or PMSI (including by registration of a financing statement or financing change statement on the PPS Register);
 - not to register a financing statement or financing change statement in respect of the Products without Legrand's prior written consent; and
 - to give Legrand no less than 14 days' prior written notice of any proposed change in the Purchaser's name or any other change in the Purchaser's details (including, but not limited to, changes in its address, facsimile number or trading name).
- 8.3 The Purchaser waives its right under section 157 of the PPSA to receive notice of any verification of any registration pursuant to the PPSA.
- 8.4 The Purchaser agrees that pursuant to section 115(1) of the PPSA and to the maximum extent permitted by law the Purchaser waives its rights under, and with Legrand's agreement contracts out of, sections 95, 118, 121(4), 125, 129(2) and (3), 130, 132(3)(d), 132(4), 135, 142 and 143 of the PPSA.
- 9 Warranty for defective Products**
- 9.1 Legrand undertakes that if Products are found upon inspection by or on behalf of Legrand not to conform to a Standard or are otherwise defective in materials or workmanship, Legrand will, at its option:
- replace or repair the Products;
 - bring the Products into conformity with the Standard;
 - take back the Products found not to conform to the Standard or which are otherwise defective and refund the appropriate part of the purchase price; or
 - pay for the cost of replacement or repair of the Products.
- provided that:
- the liability of Legrand will never exceed the purchase price of the Products; and
 - the Purchaser has performed all its contractual obligations.
- 9.2 If any Products are damaged during transportation or delivery by Legrand's carrier or do not comply with the description on the relevant Order, Legrand will accept return of those Products and will credit the Purchaser with any amount which it has paid for them.
- 9.3 Clauses 9.1 and 9.2 apply only if:
- any alleged defect or damage to the Products occurred within 12 months of the date of their installation or 18 months from the date of their purchase from Legrand, whichever is the earlier;
 - the Products have been properly handled, stored and maintained and any instructions by Legrand in relation to the Products and their installation and use (including operating instructions which specify applicable operating and environmental conditions for particular Products) have been fully observed;
 - the Purchaser gives written notice to Legrand of the alleged defect in respect of the Products, such notice to be received by Legrand within 14 days of the date when such defect appeared or ought to have been discovered;
 - the Products, being Products of the kind referred to in clause 9.2, are unopened and returned unopened to Legrand accompanied by an itemised list including the batch number and the relevant statement date and number;
 - the Purchaser gives Legrand a reasonable opportunity to inspect the Products; and
 - the Purchaser makes no further use of the Products after the Purchaser discovers or ought to have discovered that they were defective.
- 9.4 Clause 9.1 does not apply:
- to the extent the Products are damaged after risk passes to the Purchaser in accordance with clause 7.1;
 - to the extent the Products have been subjected to abnormal use (including excessive vibration, short circuiting, excessive voltage, interrupted or uneven power supply and negligent operation);
 - to the extent any Products have been repaired, altered or replaced by anyone other than Legrand or its authorised representatives;
 - to the extent defects or damage to any Products are attributable to their installation or assembly by any third party;
 - to defects or damage arising from normal wear and tear; and
- to any components of the Products which are not manufactured or supplied by Legrand or any one of its Related Bodies Corporate.
- 9.5 Certain Products manufactured and supplied by Legrand (including lamps) are specified to have a nominal life or rating. Legrand does not warrant and will not in any circumstance be liable for defects or failures in any such Products or for any reduction in any such Products' nominal life or rating attributable to external factors such as vibration, interrupted or uneven power supply or excessive voltage.
- 9.6 The warranty contained in this clause 9 is personal to the Purchaser and may not be assigned except with the prior written consent of Legrand. In particular, it is hereby stated and acknowledged by the Purchaser that the warranty contained in this clause 9 confers no rights and is not intended to benefit endusers of Products who are Consumers.
- 9.7 Legrand reserves the right to provide express warranties direct to endusers of Products. Such warranties may vary or extend the term of available warranty protection and may also be subject to different conditions than are set out in this clause 9.
- 10 Exclusion of liability**
- 10.1 Legrand acknowledges that certain legislation in Australia, including the Australian Consumer Law, provides Consumers with guarantees and rights which cannot be excluded, restricted or modified or which may in certain cases only be modified or restricted to a limited extent. Nothing in these terms and conditions excludes, restricts or modifies, or is intended to exclude, restrict or modify, any guarantee, condition, warranty, right or liability implied by law (including any guarantee, condition, right or liability imposed under the Australian Consumer Law) which cannot lawfully be excluded, restricted or modified.
- 10.2 To the extent permitted by the Australian Consumer Law, Legrand's liability for goods or services supplied under a Consumer Contract that are not of a kind ordinarily acquired for personal, domestic or household use or consumption is limited, at Legrand's option, to any one or more of the following:
- in the case of goods, the replacement, repair or payment of the cost of replacement or repair of the goods; and
 - in the case of services, supplying the services again or payment of the cost of having the services supplied again.
- 10.3 In the case of goods or services which are not supplied by Legrand under a Consumer Contract:
- Legrand accepts no liability for any economic, indirect or consequential loss, including loss of profit, loss of income, loss of contracts or business and loss of data; and
 - Legrand's maximum aggregate liability for any cause and under any head of liability will not in any circumstances exceed the total price paid by the Purchaser for those goods and services.
- 10.4 These terms and conditions describe the full extent of Legrand's obligations and liabilities in respect of the supply of the Products and, except as expressly stated or referred to in this Agreement or as otherwise specifically provided in writing by Legrand, there are no guarantees, conditions, warranties or other terms that bind Legrand nor will Legrand otherwise be liable in contract, tort (including negligence) or for breach of statutory duty for any loss, damage, cost or expense of any kind.
- 11 Product specification and discontinuance**
- Legrand reserves the right to:
- discontinue Products;
 - substitute comparable products; and
 - modify the design, specifications and Standards (other than mandatory Standards) applicable to any of its Products, at any time including during the currency of these terms and conditions and any current Order and, in each case, without incurring any liability or other obligation to the Purchaser.
- 12 Termination**
- 12.1 Legrand may terminate the Agreement, or suspend or cancel any current Order, by written notice to the Purchaser if the Purchaser does not pay any amount in accordance with these terms and conditions.
- 12.2 Either party may terminate this Agreement, or suspend or cancel any current Order, by written notice to the other if:
- the other party commits or allows to be committed a material breach of these terms and conditions and does not within 21 days of receiving a written notice from the first mentioned party rectify that breach;
 - the other party commits a material breach of these terms and conditions which cannot be remedied;
 - the other party becomes, or resolves to become, subject to external administration or proceedings under Chapter 5 of the Corporations Act 2001 (Cth); or
 - an event of the kind described in clause 7.7 occurs in respect of the other party.
- 12.3 Upon the expiration or termination of this Agreement or the suspension or cancellation of any Order for any reason, the Purchaser must promptly pay all amounts owing to Legrand under this Agreement.
- 13 Force majeure**
- Neither party will be liable for any loss or damage caused by delay in the performance or non-performance of any of its obligations occasioned by any cause whatsoever that is beyond its reasonable control including: Act of God; war; civil disturbance; requisitioning by governments or public authorities; governmental restrictions; prohibitions or enactments of any kind; import or export regulations; strikes; shipping and transport delays; lock-outs or other industrial disputes (whether involving its own employees or those of any other person); difficulties in obtaining materials; breakdown of machinery; fires; or accidents. If any such event occurs the affected party may to the extent necessary vary or suspend any Order, these terms and conditions or the

Agreement, in each case at its discretion and without incurring any liability to the other party for any such loss or damage.

14 Intellectual property

- 14.1 Legrand for and on behalf of itself, its Related Bodies Corporate and its licensees (if any) reserves ownership and intellectual property rights in all inventions, names, illustrations, drawings, plans, specifications, formulas and documents relating to the Products. Nothing in these terms and conditions operates or is intended to deny Legrand, its Related Bodies Corporate or its licensees, or confer on the Purchaser, such rights or any other intellectual property rights in the Products.
- 14.2 If a third party asserts a claim for breach of its intellectual property rights arising from the supply or use of the Products the Purchaser will immediately inform Legrand and Legrand will be solely responsible for the defence, resolution and settlement of any such claim. The Purchaser will at Legrand's cost and request render such reasonable assistance as Legrand requires in defending any such claim. In no circumstances will the Purchaser acknowledge or concede the validity of any such claim except with Legrand's express written consent. If any such claim against Legrand succeeds, Legrand will at its option use its best endeavours to obtain a right to use or license any such intellectual property rights or modify the Products or replace them at its cost.
- 14.3 The Purchaser will indemnify Legrand for and in respect of claims by any third party in relation to the Products which arise from or can be attributed to the special processes, requirements or specifications of the Purchaser, including the use or transfer of designs, logos, trade marks and techniques, equipment and tools in the manufacture, production and labelling of the Products.
- 14.4 In this clause 14 a reference to intellectual property rights includes patents, trade marks, copyright, registered designs and licences and applications in respect of any of the above.

15 Assignment

This Agreement is personal to Legrand and the Purchaser and any rights and obligations under this Agreement may only be assigned by the Purchaser with the prior written consent of Legrand.

16 Waiver

No neglect, delay or indulgence on the part of Legrand in enforcing these terms and conditions will prejudice the rights of Legrand or be construed as a waiver of any such rights.

17 Severability

If any part of these terms and conditions (including any provision, part, paragraph, phrase or word) is illegal, invalid or unenforceable it will be read down so far as necessary to give it a valid and enforceable operation or, if that is not possible, it will be severed from these terms and conditions, but in any event the remaining provisions will remain in full force and effect.

18 Governing law

This Agreement and these terms and conditions are governed by and must be construed in accordance with the laws which apply in the State of New South Wales. The parties submit to the non-exclusive jurisdiction of the courts of that State and the Commonwealth of Australia in respect of all matters or things arising out of these terms and conditions and any other provision of this Agreement.

19 Privacy policy

Legrand's Privacy Policy and Credit Reporting Policy is on our website at legrand.com.au. The Purchaser and its directors, partners or proprietors:

- (a) consent to the collection, use and disclosure of the personal information and credit information for the purpose of Legrand supplying the Products and managing the Purchaser's account, assessing the credit worthiness of the Purchaser, registering Legrand's security interests on the PPSR and otherwise implementing these terms and conditions and for any other purpose described in the Privacy Policy and Credit Reporting Policy, and warrant that all data provided by the Purchaser is accurate; and
- (b) consent to any personal information collected by Legrand being disclosed to third parties operating outside Australia including New Zealand, France, and other European countries, United States of America, and any other country where Legrand or its related entities have a presence or engage third parties, acknowledge and agree that Australian Privacy Principle 8.1 will not apply to such disclosures, that Legrand will not be required to take such steps as are reasonable in the circumstances to ensure such third parties outside of Australia comply with the Australian Privacy Principles and will not be accountable under the Privacy Act (Cth) and the individual will not be able to seek redress against Legrand under the Privacy Act (Cth) in the event such overseas third parties do not comply.

20 Exports and Embargoes

20.1 This section applies where the Purchaser undertakes export, re-export or resale of the Products or where our commercial arrangement is not restricted solely to the Australian market (Exports).

The Purchaser warrants and undertakes to Legrand:

- (a) The Purchaser shall comply with all the (re-) export control regulations of Australia, France, the EU and the USA and those of any other applicable jurisdiction and it shall obtain all necessary licences, shipping documents and authorisations required under such legislation in respect of such Exports.
- (b) The Purchaser shall not export or re-export the Products to a country that is subject to embargo or sanction without having obtained all necessary authorisations from Australian, French, European or American authorities, the United Nations or any other country or organisation that imposes such restrictions.
- (c) The Purchaser shall not supply the Products to parties, organisations or entities subject to embargoes, sanctions or other restrictions imposed by Australia, France, the EU, the USA, the United Nations or by any other country, or to parties, organisations or entities if there is reason to believe that they fail to fully comply with all applicable national or international regulations, sanctions and embargoes.
- (d) The Products are not intended to be used in connection with any sectors or use that is banned or subject to restrictions under any laws or regulations, unless all required authorisation by the relevant bodies have been obtained.
- (e) All transfer and receipt of funds by the Purchaser comply with all national and international regulations.
- (f) To enable authorities or Legrand to conduct compliance audits, the Purchaser upon request by Legrand, shall promptly provide Legrand with all relevant licences and authorisations, information as to the identity of the customer to whom the Products are supplied, the destination and intended use of the Products and the financial institutions or entities used to collect and issue payments.
- (g) The Purchaser shall notify Legrand if the Purchaser suspects that any person the Purchaser has supplied the Products to may not be complying with any embargo, sanction or export control regulation.
- (h) Purchaser shall indemnify and hold harmless Legrand from and against any and all claims, proceedings, actions, fines, losses, costs and damages arising out of or relating to any noncompliance by the Purchaser with any of the above undertakings or breach of any relevant export control regulations or sanction or embargo.
- 20.2 The Purchaser's compliance with all the above undertakings is a condition of Legrand continuing to supply the Products to the Purchaser and Legrand has the right to suspend such supply and terminate any agreement where we have a reasonable belief that the above undertakings are not being complied with or if any obligation under any agreement would constitute a breach of any national or international regulations or any embargo or sanction and Legrand shall have no liability to the Purchaser or any third party by way of damages or otherwise in respect of such suspension or termination.

Terms and conditions are subject to change without notice.
Please visit our website for up to date terms and conditions.

Index of protection

1. Protection against solid bodies and liquids: IP index of protection

Degrees of protection for enclosures of electrical equipment according to standards: IEC 60529, BS EN 60529 and NF EN 60529

| 1 st digit: protection against solid bodies | | | Additional letter IP XX (ABCD): protection against direct contact resulting from the access to hazardous current-carrying parts | | | 2 nd digit: protection against liquids | | |
|--|-------|--|---|-------|---|---|-------|---|
| IP | tests | | IP | tests | protection | IP | tests | |
| 0 | | No protection | | | | 0 | | No protection |
| 1 | | Protected against solid bodies larger than 50 mm | A | | The back of the hand remains remote from dangerous parts | 1 | | Protected against vertically-falling drops of water (condensation) |
| 2 | | Protected against solid bodies larger than 12.5 mm | B | | The dangerous parts can not be touched when introducing a finger | 2 | | Protected against drops of water falling at up to 15° from the vertical |
| 3 | | Protected against solid bodies larger than 2.5 mm | C | | The dangerous parts can not be touched when introducing a tool (eg a screwdriver) | 3 | | Protected against drops of rain water at up to 60° from the vertical |
| 4 | | Protected against solid bodies larger than 1 mm | | | | 4 | | Protected against projections of water from all directions |
| 5 | | Protected against dust (no harmful deposit) | D | | The dangerous parts can not be touched when introducing a wire | 5 | | Protected against jets of water from all directions |
| 6 | | Completely protected against dust | | | | 6 | | Protected against jets of water of similar force to heavy seas |
| | | | | | | 7 | | Protected against the effects of immersion |
| | | | | | | 8 | | Protected against prolonged effects of immersion under pressure |
| | | | | | | 9 | | Protected against high pressure and temperature water jets |

2. Protection against mechanical impact: IK index of protection

According to standards: IEC 62262, BS EN 62262 and NF EN 62262

| IK | Tests | Impact energy (in Joules) |
|-------|-------|---------------------------|
| IK 00 | | 0 |
| IK 01 | | 0.15 |
| IK 02 | | 0.2 |
| IK 03 | | 0.35 |
| IK 04 | | 0.5 |
| IK 05 | | 0.7 |
| IK 06 | | 1 |
| IK 07 | | 2 |
| IK 08 | | 5 |
| IK 09 | | 10 |
| IK 10 | | 20 |

• This table can be used to ascertain the resistance of a product to an impact given in Joules from the IK code (graduated from 00 to 10)

LEGRAND

The product partner you can

TRUST



Whether you are buying, installing or using Legrand products you can be assured they comply to all the required Australian standards of manufacturing quality and electrical safety.

Legrand NSW head office, located in Prestons features:

- local manufacturing of over 15,000 products
- a dedicated team and two accredited NATA laboratories to conduct compliance tests
- over 20 R&D engineers dedicated to the development of new products

All Legrand compliance certifications and approvals are available on either the Electrical Regulatory Authorities Council certification database "erac.gov.au/public" or the NSW office of Fair Trading database "eapr.fairtrading.nsw.gov.au/default.aspx".



Legrand Australia
Building 4, Nexus Industry Park
43-47 Lyn Pde, Prestons NSW 2170
Tel: 1300 369 777
www.legrand.com.au



Customer service enquiries

1300 369 777