



DATA SHEET:

HEAVY DUTY 90° SWEEP BENDS (LSB)

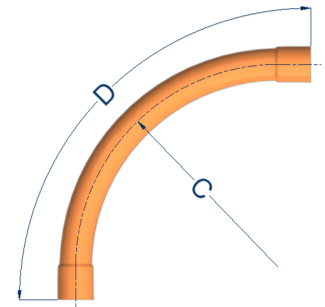
AUSTRALIAN MADE BY AN AUSTRALIAN OWNED COMPANY, AUSSIE DUCT HEAVY DUTY 90° SWEEP BENDS ARE SUITABLE FOR UNDERGROUND INSTALLATIONS. MANUFACTURED TO AUSTRALIAN STANDARD AS/NZS2053 AND CONFORMS WITH “BEST PRACTICE GUIDELINES FOR PVC IN THE BUILT ENVIRONMENT” (GREEN STAR). SUITABLE FOR ALL AUSSIE DUCT HEAVY DUTY CONDUIT.

AUSTRALIAN PLASTIC PROFILES ALSO OFFERS A LARGE RANGE OF SPECIAL RADIUS BENDS, RANGING FROM R600(MM) TO R2500(MM) ACROSS VARIOUS SIZES. CONTACT US FOR FURTHER INFORMATION.

100%AussieMade



TECHNICAL SPECIFICATION	
MATERIAL	PVC-U
COLOUR	ORANGE
DUTY RATING	HEAVY
PRODUCT STANDARD	AS/NZS2053.2
UV RESISTANT	NO
B.E.P CERTIFIED	YES (CERTIFICATE: 4008)
TEMPERATURE RANGE	0-60°C
IP INGRESS PROTECTION	IP66* (FULLY SOLVENT CEMENTED AUSSIE DUCT CONDUIT SYSTEM)
DIELECTRIC STRENGTH	ELECTRO-INSULATING
FLAME PROPAGATION	NON-FLAME PROPAGATING
QUALITY MANAGEMENT SYSTEM	ISO9001:2015 (CERTIFICATE: QEC0597)



Product Code	Nominal Size (mm)	Angle (°)	C-LineRadius (mm) C	Overall Length (mm) D	Pack Qty
LSB20OR	20	90°	150	303	20
LSB25OR	25	90°	150	302	10
LSB32OR	32	90°	315	550	25
LSB40OR	40	90°	312	560	15
LSB50OR	50	90°	320	570	10
LSB63OR	63	90°	325	700	1
LSB80OR	80	90°	600	1080	1
SE80OR	80	90°	225	610	1
LSB100OR	100	90°	508	1040	1
LSB100OR600	100	90°	600	1140	1
LSB125OR	125	90°	635	1200	1
LSB150OR	150	90°	760	1580	1