

Spec Sheet: Clip-in SS, NS & ES Fuses

Features:

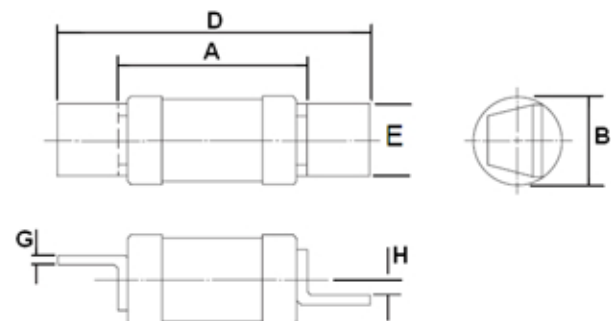
- Up to 415V AC gG – gM utilisation
- Stagger clip-in fuse links up to 63A
- NS and ES tested up to 80kA breaking capacity
- SS rated to 240V AC 16.5kA
- Complies to IEC 60269, BS88 Part 6
- ASTA Certified



Rated Current (A)	Rated AC Voltage (V AC)	Rated DC Voltage (V DC)	Power Losses (W)	Length	Catalogue Number
2A	240	-	N/A	51	SS2
4A			SS4		
6A			SS6		
10A			SS10		
16A			SS16		
20A			SS20		
2A	415	240	0.90	61	NS2
4A			NS4		
6A			NS6		
10A			NS10		
16A			NS16		
20A			NS20		
25A			NS25		
32A			NS32		
10M16			NS10M16		
16M20			NS16M20		
20M25			NS20M25		
20M32			NS20M32		
25M32			NS25M32		
32M40			NS32M40		
40A	-	-	3.00	69	ES40
50A			ES50		
63A			ES63		
63M80			ES63M80		
20A	Neutral Link suit SS20	-	-	51	SSCLINK
20/32A	Neutral Link suit SC20/SC32	-	-	62	SC20/32LINK
63A	Neutral Link suit SC63	-	-	69	ESLINK

Fuse link dimensions (mm)

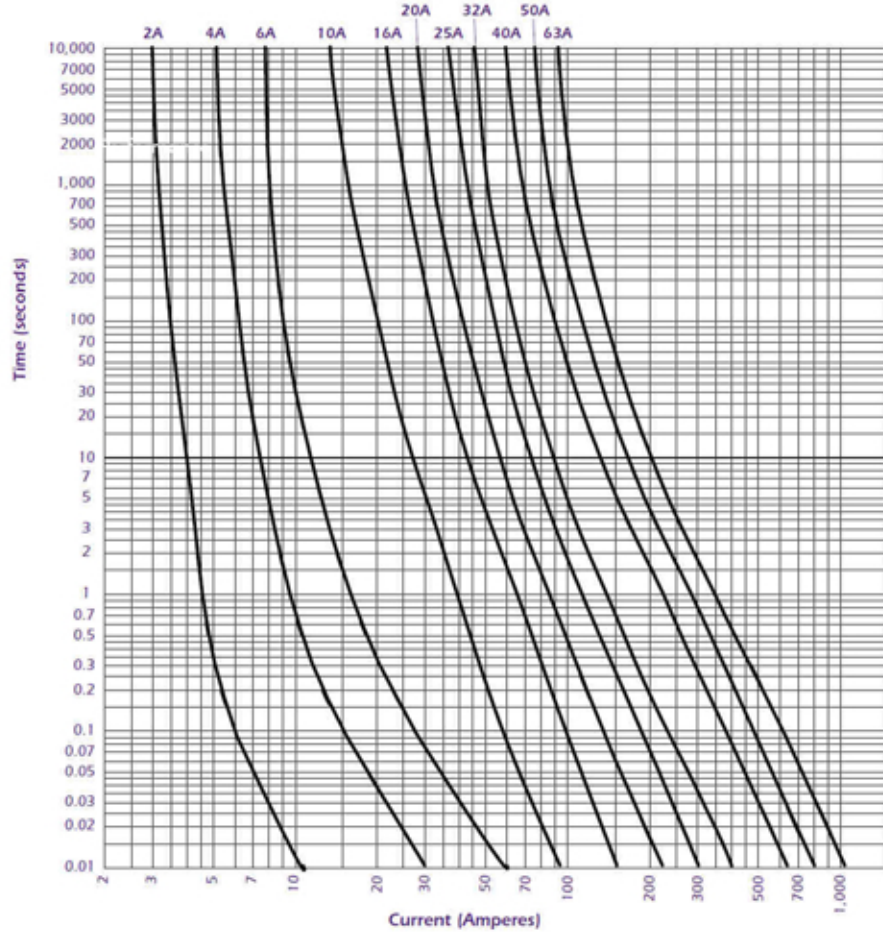
Type	A	B	D	E	G	H
SS	25	14.5	51	11	0.8	3.6
NS	35.5	13.5	61	12.7	0.8	3.5
ES	39.5	17.1	69	15.2	1.2	3.5



Installation - Use SAFECLIP SC fuse holders



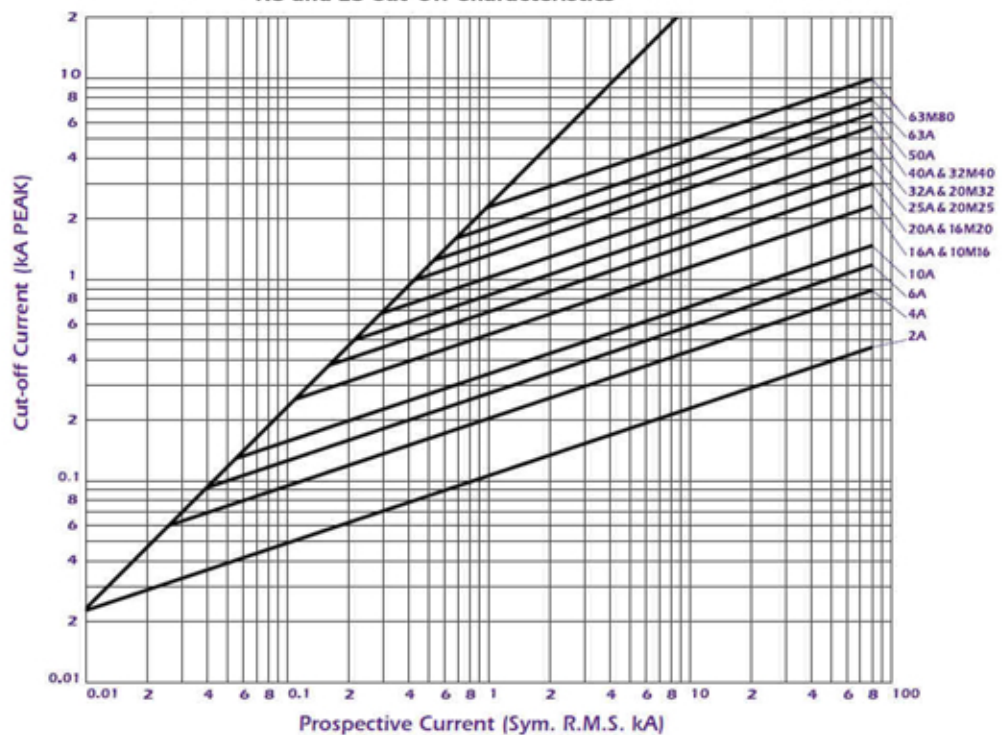
NS and ES Time-Current Characteristics



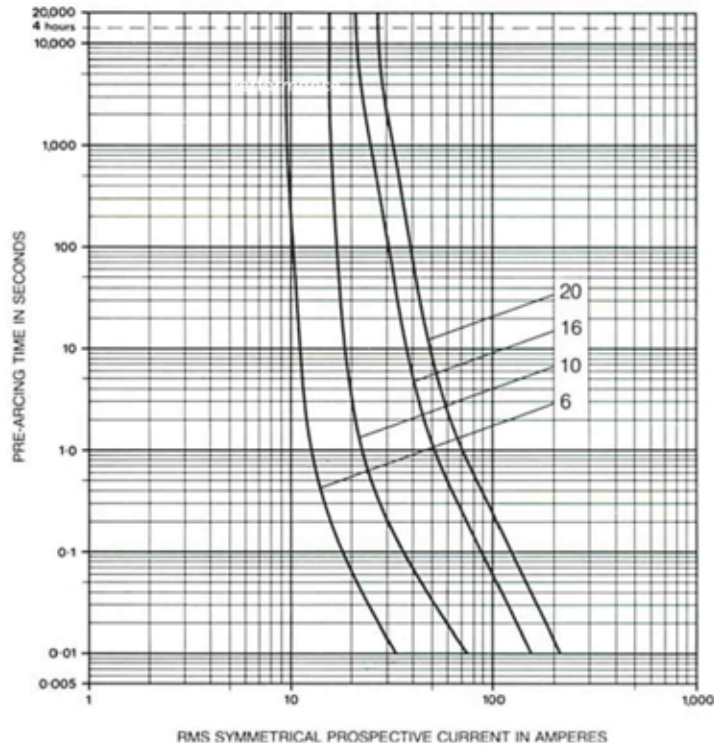
NS and ES I²t Values

Current Rating (A)	Pre-Arc I ² t (A ² sec)	Total I ² t (A ² sec) @ 415V
2	1	5
4	7.6	38
6	28	40
10	70	350
16	120	550
20	250	1250
25	420	2100
32	670	3350
32M40	2400	6400
50	2600	4200
63	4000	8750
63M80	6,000	24,000

NS and ES Cut-Off Characteristics



SS Time-Current Characteristics



SS I²t Values

Current Rating (A)	Pre-Arc I ² t (A ² sec)	Total I ² t (A ² sec) @ 240V
2	2	4
4	7.5	15
6	30	85
10	50	150
16	140	1,400
20	300	1,700

SS Cut-Off Characteristics

