

## COMMERCIAL SONICO LED HIGHBAY

SONICO 100W, 120W & 170W, 5000K LED, IP65  
2M Flex & Plug, 1-10V Dimmable

# ROBUS®

This new modern looking range of fittings with an "All Around" IP65 rating provide solutions for high, medium or low height lighting applications in many diverse environments. Making huge energy savings compared to traditional light sources, even greater savings can be achieved using the 1-10v dimmable driver and optional Robus sensors.



### Applications:

- Warehouses & storage areas
- Factories
- Manufacturing & Assembly areas
- Bus or coach garages
- Gymnasiums & sports halls
- Agricultural buildings
- Shopping centres & superstores
- Airports buildings

### Construction:

Die cast aluminium body  
Black powder coating finish  
Polycarbonate Lens  
Stainless steel mounting eye  
Stainless steel screws and fixings  
Aluminium PCB

### Features and Benefits:

- There's a complete energy saving range of lumen packages to replace traditional MH up to 400W
- The body is manufactured from die-cast aluminium for excellent heat management to enhance LED and driver life
- This also means that it's strong and durable with a high impact rating so it's not so easily damaged by the occasional fork-lift knock or sporting activities.
- The range utilises a Polycarbonate Lens cover with seal which means the impact rating is much higher, beneficial for use in sports or industrial applications and has an IP65 rating so can be installed in damp or dusty environments
- The rear of the body has several pre-drilled and tapped fixing holes where an additional safety mounting wire can be attached if required
- A black powder coat finish ensures the fitting will always look good without aluminium oxidation
- All fixings are stainless steel
- The fitting has a stainless steel mounting eye with locking screw and is pre-wired with 2m of 3 core flexible rubber cable & plug-top so provides for fast and simple mounting and connection
- Surface Mounting Brackets are available for all the models 100W, 120W & 170W.
- The design utilises LM80 & TM21 independently tested SMD LED's for
  - Exceptional light output to replace MH "one for one"
  - Low power consumption for 50% energy savings
  - Qualification for government high efficacy incentives
  - Up to 5 times longer life than MH, providing huge lamp change, labour & access equipment cost savings
- The fitting has an integral high quality 1-10VDC dimmable constant current driver for standard on/off switching, or with optional Daylight Harvest Sensor, provides automatic daylight linked dimming to further reduce energy consumption
- Utilising Solid state technology means that it:
  - Is rugged with no heat filaments or electrodes to prematurely fail due to building vibration & hot to cold temperature variations
  - Can be switched by external microwave, PIR and/or photocell
  - Has no warm-up or cool-down time so can have short time delay switching for even greater energy savings
- The Sonic has a wide operating ambient temperature range so is ideal for unheated buildings and those that may have a wide variation in day to night temperatures
- This also makes it suitable for installation in hot environments such as steel processing or colder areas such as chilled rooms or Freezer Applications

PLEASE NOTE: INFORMATION IN THIS DOCUMENT MAY BE SUBJECT TO CHANGE WITHOUT PRIOR NOTICE

IRE: TEL: +353 1 709 9000  
AUS: TEL: +61 7 3890 5444

WEB: WWW.ROBUS.COM  
WEB: WWW.ROBUS.COM.AU

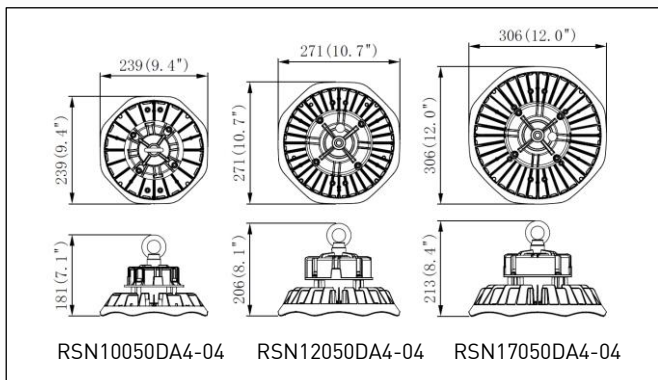
LED GROUP EUROPE · AUSTRALIA · ASIA · MIDDLE EAST · AFRICA

## COMMERCIAL SONICO LED HIGHBAY

SONICO 100W, 120W & 170W, 5000K LED, IP65  
2M Flex & Plug, 1-10V Dimmable

# ROBUS®

Product Code:	RSN10050DA4-04	RSN12050DA4-04	RSN17050DA4-04
Comparable to (metal halide):	200W	300W	400W
Total Power (W):	99.6	124.2	165.7
Total Light Output (lm):	18,350	18,710	25,140
Efficacy (lm / cctW):	184	151	151
Illuminance at 1m (lux):	6,490	6,510	8,750
Beam Angle (deg):	110	110	110
CCT (K):	5,000	5,000	5,000
CRI (Ra):	80	80	80
Rated Life (hrs):	50,000	50,000	50,000
Warranty (yrs):	5	5	5
Ingress Protection (IP):	65	65	65
Impact Rating (IK):	09	09	09
Operating Temperature (°C):	-20 ≤ Ta ≤ +40	-20 ≤ Ta ≤ +40	-20 ≤ Ta ≤ +40
Driver Output Current CC (mA):	810	960	720
Driver Output Voltage @ CC (VDC):	115	110	210
Operating Voltage (Vac):	220-240	220-240	220-240
Power Factor (PF):	0.95	0.97	0.97
Height (mm):	181	206	213
Length (mm):	239	271	306
Width (mm):	239	271	306
Box Qty:	1	1	1
Weight (kg):	1.98	2.79	3.62



### Accessories:

- RSNB4-S**                      Surface mounting bracket for 100W & 120W
- RSNB4-L**                      Surface mounting bracket for 170W
- RDLHRV-HMW32S**            1-10Vdc MW Daylight Harvesting Sensor

### Standards & Approvals:

Complies with: SAA, AS/NZS 60598, IEC 55015, CISPR 15, IEC 61000, IEC 62493, IEC 61547, IEC 62471, RCM

### Cone Illuminance Diagram:

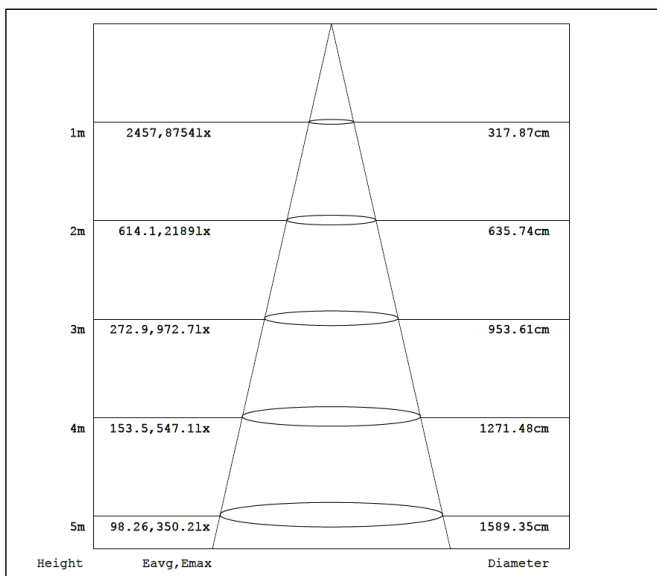
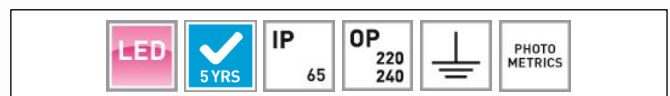


Diagram for RSN17050DA4-04in 5,000K. Other diagrams available on request

PLEASE NOTE: INFORMATION IN THIS DOCUMENT MAY BE SUBJECT TO CHANGE WITHOUT PRIOR NOTICE

IRE: TEL: +353 1 709 9000  
AUS: TEL: +61 7 3890 5444

WEB: WWW.ROBUS.COM  
WEB: WWW.ROBUS.COM.AU



### Polar Intensity Diagram:

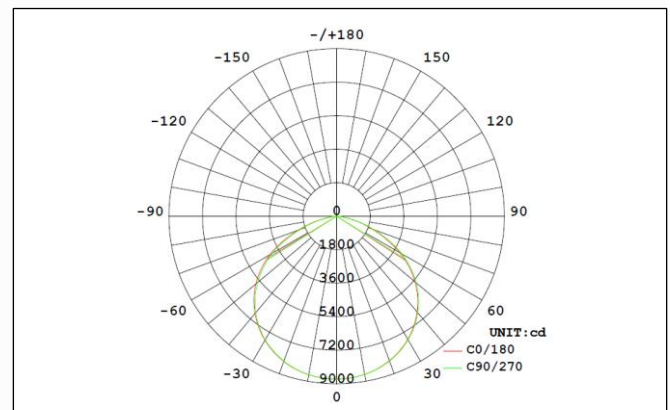


Diagram for RSN17050DA4-04in 5,000K. Other diagrams available on request