

LIGHTING CONTROLS

UNIVERSAL 360° PASSIVE INFRA-RED PRESENCE DETECTOR WITH MANUAL OVER-RIDE

ROBUS®

This IK10 rated sensor is strong and resilient to knocks and can be recessed or surface mounted using the kit included

It has a manual over-ride function of up to 8 hours after which it will revert to automatic mode if not manually carried out

The sensor is designed such that it detects small movements of presence in the inner section of the detection zone, and larger movements of motion in the outer

This provides flexibility of use for desk based presence detection, or motion in larger areas such as corridors

It also has a high switching capacity of 300W for LED loads so can switch multiple fittings in its detection area

The fitting has a plugin connection block allowing first fix and testing to take place before installing the sensor. Large terminals accept 2 x 1.5mm² conductors for fast and easy loop in / loop out connection to parallel sensors or multiple fittings

Product Code:	RU360-01
Maximum Load Incandescent/fluorescent/LED (W):	2,000/ 600/ 300
MIN/MAX Mounting Height (m):	2.8
Detection zone diameter @ Min/Max mounting height (m):	12-18
Detection Angle (deg):	360
Sensitivity (%):	50-100
Hold Times:	10s-40min
Lux Switching Levels (lx):	2-2000
Warranty (yrs):	5
Ingress Protection (IP):	44
Operating Temperature (°C):	-20 ≤ Ta ≤ +40
Operating Voltage (Vac):	220-240
Diameter (mm):	106
Cut out (mm):	84
Depth (mm):	57
Projection (mm):	35
Box Qty:	1
Weight (kg):	0.24

Accessories:

Black Trim

RU360TRIM-04

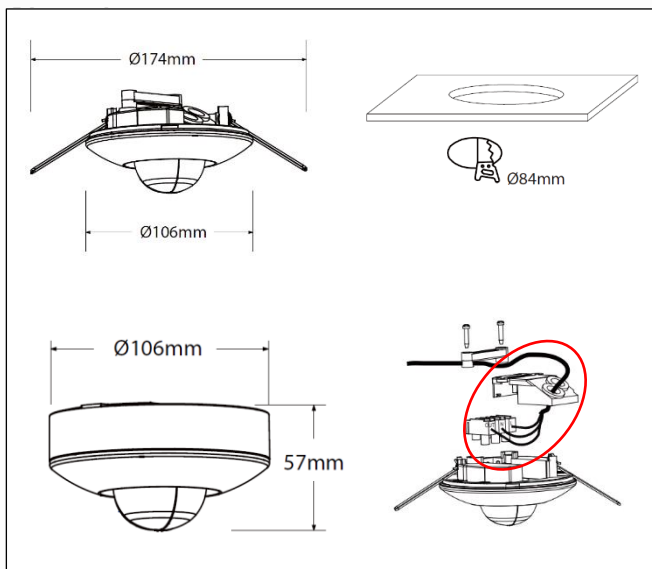
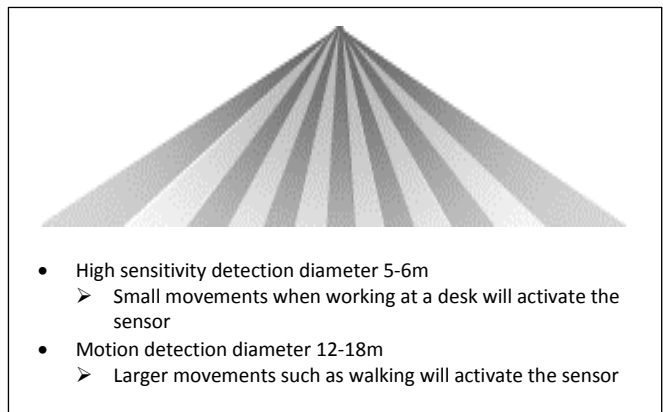


Standards & Approvals:

Complies with: RCM, SAA



Detection Zone Diagram:



PLEASE NOTE: INFORMATION IN THIS DOCUMENT MAY BE SUBJECT TO CHANGE WITHOUT PRIOR NOTICE

IRE: TEL: +353 1 709 9000
AUS: TEL: +61 7 3890 5444

WEB: WWW.ROBUS.COM
WEB: WWW.ROBUS.COM.AU

LED GROUP EUROPE · AUSTRALIA · ASIA · MIDDLE EAST · AFRICA