

# LED Satellite Surface Mount – D50



CAT. NO. 659500/LI, 659501/LI, 659502/LI, 659503/LI



659500/LI

Cat .No.	659500/LI, 659502/LI	659501/LI, 659503/LI
Finish	White	Black
Operating Mode	Non-Maintained	
Nominal Input Voltage	230 - 240 V a.c. 50Hz	
Battery	Li-ion 6.4 V, 1.5 Ah	
Power Consumption	1.5 W (Charge) / 0.7 W (Standby)	
Inrush Current	5 A peak	
Light Source Life (LSL)	100,000 hrs	
Body Constructions	Polycarbonate (Satellite head), Steel (Enclosure)	
Operating Temperature	10° C to 40° C	
IP Rating	IP20	
Compliance	AS/NZS 2293, AS/NZS 60598	
Product Marking		

# LED Satellite Surface Mount – D50

CAT. NO. 659500/LI, 659501/LI, 659502/LI, 659503/LI



## FEATURES

- iSmart™ temperature sensing technology for the Li-ion battery.
- Electronics designed to lengthen the life of the battery, minimising maintenance costs.
- Environment friendly battery.
- Easy to install.
- One high Brightness LED.
- SPU or Axiom options.
- 5 Year Warranty.
- Designed and Manufactured in Australia.

Cat. No	Description	Classification C <sub>0</sub> /C <sub>90</sub>
659500/LI	LED Satellite Surface Mount- White	D50
659501/LI	LED Satellite Surface Mount- Black	D50
659502/LI	Axiom LED Satellite Surface Mount- White	D50
659503/LI	Axiom LED Satellite Surface Mount- Black	D50

## SPACING TABLE

Maximum spacings between luminaires for 0.2 lux (Australia)

Mounting Height (m)	2.4	2.7	3	3.3	3.6	4.0
A	13.2	14.8	16.5	18.1	19.8	21.8
B	13.2	14.8	16.5	18.1	19.8	21.8

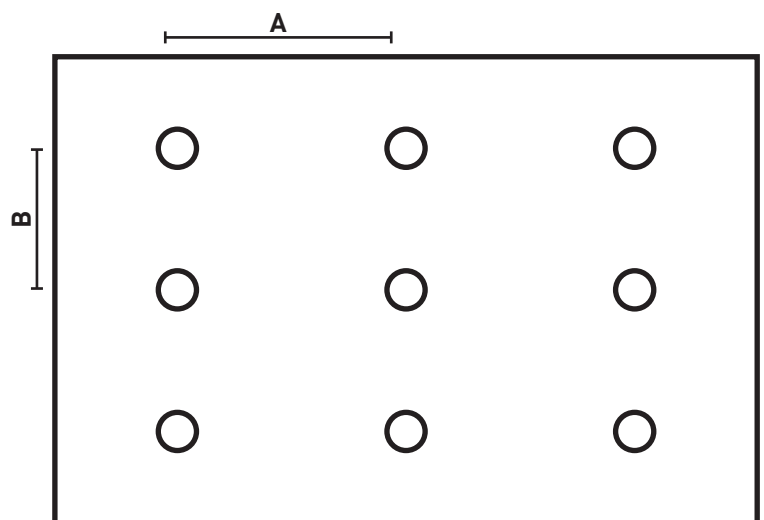
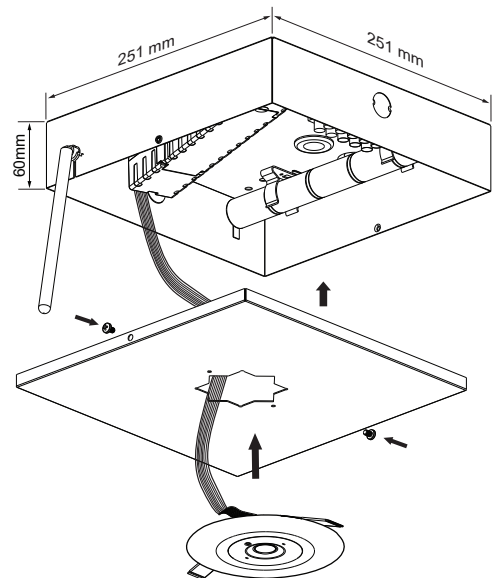
As per AS/NZS 2293:2018

Maximum spacings between luminaires for 1 lux (New Zealand)

Mounting Height (m)	2.4	2.7	3	3.3	3.6	4.0
A	10.5	10.8	11.0	11.2	11.4	11.5
B	10.5	10.8	11.0	11.2	11.4	11.5

As per AS/NZS 2293:2018

## DIMENSIONS



Legrand - Australia  
1300 369 777  
www.legrand.com.au  
ABN 31 000 102 661

Legrand - New Zealand  
0800 476 009  
www.legrand.co.nz

Refer to your group buying office, Legrand Sales Representative or Legrand Sales Office for pricing.

Please note: specifications are subject to change without prior notice.