



Economy LED Exit

CAT NO. 685100LI



685100LI

Specifications	
Mode of operation	Maintained
Supply voltage	240V a.c. +/- 6% 50Hz
Power consumption	3.5W
Battery	Li-ion 6.4V 570mAh
Operating temperature	10° to 40°
IP rating	IP20
Body construction	Polycarbonate
Diffuser construction	Polycarbonate
Compliance	AS/NZS 2293 AS/NZS60598  

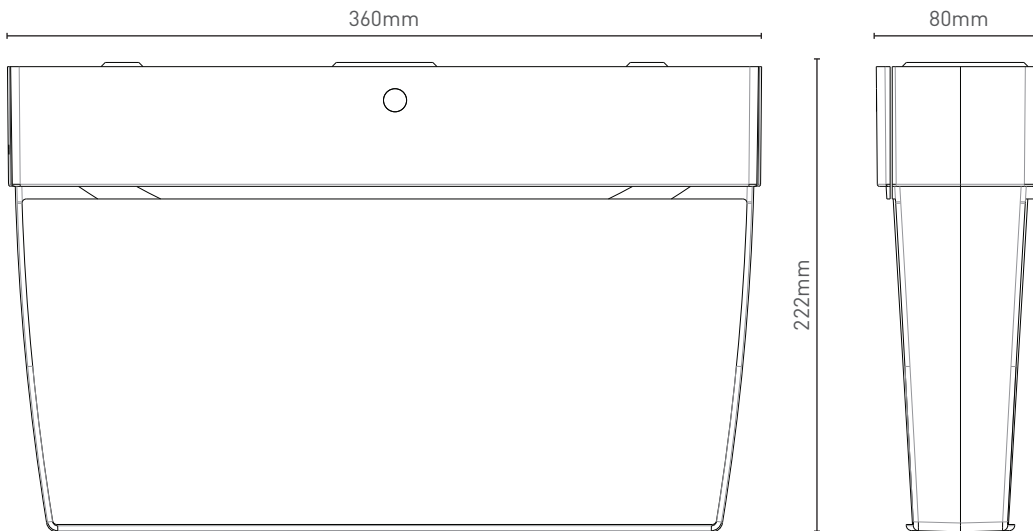
Economy LED Exit

CAT NO. **685100LI**

- Easy slide bracket
- Drop in decals
- 50,000 hours LED life
- One box solution
- Can be wall or ceiling mounted
- Large terminal block for ease of connection
- iSmart™ temperature sensing technology for the LIION battery
- Electronics designed to lengthen the life of the battery, minimising maintenance costs
- Environmentally friendly battery
- Designed in Australia
- 3 year warranty

Classification	Maximum spacing between luminaires					
	Mounting Height (Metres)					
Classification	Metres	2.7	3	3.3	3.6	4
D3.2		6.6	6.5	6.4	6.2	5.8

DIMENSIONS



Legrand - Australia
 1300 369 777
www.legrand.com.au
 ABN 31 000 102 661

Legrand - New Zealand
 0800 476 009
www.legrand.co.nz

Refer to your group buying office, Legrand Sales Representative or Legrand Sales Office for pricing.

Please note: specifications are subject to change without prior notice.