

Data Sheet



Arteor

Dual USB Charger Mechanism

CAT NO. AR770USB2PSAMWE, AR770USB2PSAMMG, AR770USB2PSXMWE, AR770USB2PSXMMG



AR770USB2PSAMMG



Application Example:
AR770USB2PSAMMG + AR777XMGN + 576476

Cat No	AR770USB2PSAMWE	AR770USB2PSAMMG	AR770USB2PSXMWE	AR770USB2PSXMMG
Description	Arteor Dual USB Charger Mechanism		Arteor Dual USB Charger Mechanism with In-line connector	
Colour	White	Magnesium	White	Magnesium
Nominal input voltage	230-240V a.c.			
Nominal input frequency	50 Hz			
Nominal input current	250mA			
Stand-by power consumption	< 0.07W			
Nominal output voltage	5V d.c.			
Nominal output current	2 x 2.4A			
Energy efficiency	Level VI, $\geq 84\%$ measured at USB socket output side			
Safety standard	AS/NZS60950-1, AS/NZS 4665, AS/NZS 3100			
Protection class	Class II			
Overload protection on output	Yes			
Surge protection	5.1A \pm 0.2A			
In-line connector	No		Yes	
Operating temperature	5° to 40°C			

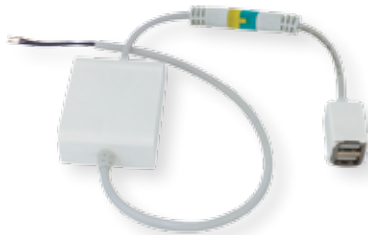
Arteor Dual USB Charger Mechanism



CAT NO. **AR770USB2PSAMWE, AR770USB2PSAMMG, AR770USB2PSXMWE, AR770USB2PSXMMG**



AR770USB2PSAMWE

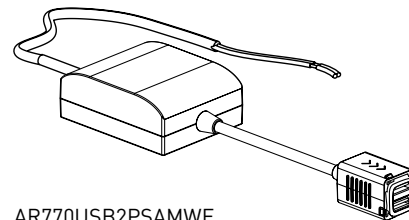


AR770USB2PSXMMG

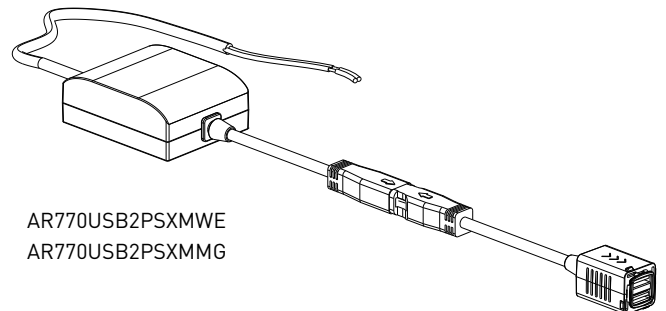
- 2 x 2.4A USB Ports: high charging capacity
- Capable of charging up to two tablets/smartphones simultaneously at their maximum capacity
- Suitable for smartphones, tablets, fitness bands and running watches
- Charging module installed in wall cavity
- To be installed in Arteor switch plates or powerpoints with an extra mechanism hole
- Suitable for all commercial and residential installations such as kitchens and bedside tables
- Overload protection on output (USB circuit)
- Low standby power consumption: < 0.07W
- Use 3m extension lead EAUSBEXT3WE with AR770USB2PSXMWE/AR770USB2PSXMMG to extend USB socket from Power Supply Charger
- AR770USB2PSXMWE/AR770USB2PSXMMG can be used with wall boxes 435 or 429R
- Indoor use only

Single product		
Cat No	Dimensions	Barcode
AR770USB2PSAMWE	101mmW x 101mmH x 54mmD	9321001448150
AR770USB2PSAMMG	101mmW x 101mmH x 54mmD	9321001448136
AR770USB2PSXMWE	101mmW x 101mmH x 54mmD	9321001448235
AR770USB2PSXMMG	101mmW x 101mmH x 54mmD	9321001448242

Outer box (QTY 12)		
Cat No	Dimensions	Barcode
AR770USB2PSAMWE	200mmW x 200mmH x 83mmD	9321001448440
AR770USB2PSAMMG	200mmW x 200mmH x 83mmD	9321001448426
AR770USB2PSXMWE	200mmW x 200mmH x 83mmD	9321001448525
AR770USB2PSXMMG	200mmW x 200mmH x 83mmD	9321001448532



AR770USB2PSAMWE
AR770USB2PSAMMG



AR770USB2PSXMWE
AR770USB2PSXMMG

HPM Legrand - AUS
1300 369 777
www.legrand.com.au
ABN 31 000 102 661

HPM Legrand - NZ
0800 476 009
www.legrand.co.nz

Refer to your group buying office, HPM Legrand Sales Representative or HPM Legrand Sales Office for pricing.

Please note: specifications are subject to change without prior notice.