

A black floodlight with a grid of LED chips, mounted on a bracket and casting a bright beam of light onto a corrugated metal surface.

NOX

7 year warranty



POWER
SELECTABLE



EASY
INSTALL



1-10V
DIMMABLE



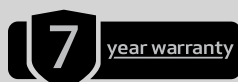
NOX V4 Floodlight Range



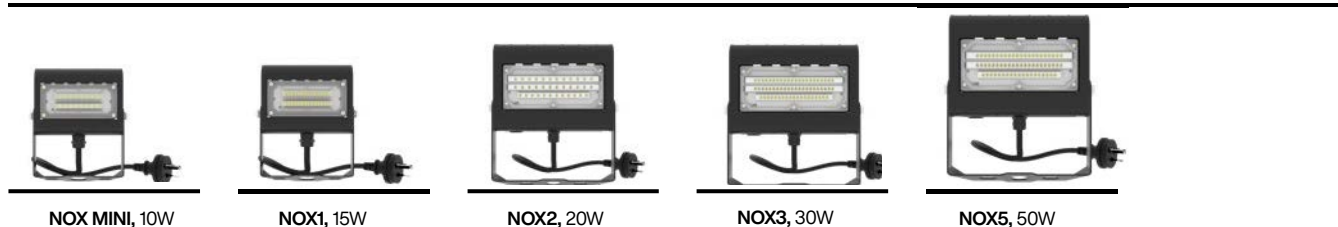
10-50W with Plug

Product information

NOX V4 small powerful range of utility floodlights
 Featuring offset bracket that makes for ease of installation
 High efficacy that leads the way in floodlight efficiency.
 Generous 7 Year warranty with an M-World 3 Year OSW*



OUR MINI-5 RANGE Available in Warm White and White Models with plugs



TECHNICAL INFORMATION

	ML-NOXMINI-V4-WW ML-NOXMINI-V4-W	ML-NOX1-V4-WW ML-NOX1-V4-W	ML-NOX2-V4-WW ML-NOX2-V4-W	ML-NOX3-V4-WW ML-NOX3-V4-W	ML-NOX5-V4-WW ML-NOX5-V4-W
Total Power:	10W*	15W*	20W*	30W*	50W*
Lumen Output:	WW 1203lm W 1206lm	WW 1823lm W 1910lm	WW 2572lm W 2645lm	WW 4102lm W 4110lm	WW 6400lm W 6484lm
Colour Temp:	WW 3000K W 5700K	WW 3000K W 5700K	WW 3000K W 5700K	WW 3000K W 5700K	WW 3000K W 5300K
IP Rating:	IP65	IP65	IP65	IP65	IP65
Impact Rating:	IK10	IK10	IK10	IK10	IK10
Efficacy:	WW 120lm/W W 120lm/W	WW 122lm/W W 127lm/W	WW 121lm/W W 125lm/W	WW 135lm/W W 136lm/W	WW 131lm/W W 133lm/W
CRI:	70+	70+	70+	70+	70+
Beam Angle:	120° x 90	120° x 90	120° x 90	120° x 90	120° x 90
Temp Range:	-20° to +40°	-20° to +40°	-20° to +40°	-20° to +40°	-20° to +40°
Dimmable:	No	No	Yes (1-10V min 30%)	Yes (1-10V min 30%)	Yes (1-10V min 30%)
Power Supply:	100 - 277V AC Towin Driver	100 - 277V AC Towin Driver	100 - 277V AC Towin Driver	100 - 277V AC Towin Dimmable Driver	100 - 277V AC Towin Dimmable Driver
Average Life:	50,000 hrs**	50,000 hrs**	50,000 hrs**	50,000 hrs**	50,000 hrs**
Max Current Draw :	0 . 2A x24V	0 . 2A x24V	0 . 37A x 24V	0 . 37A x 24V	0 . 72A x 24V
Power Factor	>0 . 9	>0 . 9	>0 . 9	>0 . 9	>0 . 9
Dimensions: W x H x D:	148x128x45mm	148x128x45mm	216x190x50mm	216x190x50mm	247x238x52mm
Weight:	0.56kg	0.58kg	1.15kg	1.16kg	1.63kg
Construction:	ADC12 Aluminium heat sink with Akzo Nobel powder coating & PC lens	ADC12 Aluminium heat sink with Akzo Nobel powder coating & PC lens	ADC12 Aluminium heat sink with Akzo Nobel powder coating & PC lens	ADC12 Aluminium heat sink with Akzo Nobel powder coating & PC lens	ADC12 Aluminium heat sink with Akzo Nobel powder coating & PC lens
Kit Includes:	1 x LED Floodlight 1 x 1m flex + AU plug 1 x User Manual	1 x LED Floodlight 1 x 1m flex + AU plug 1 x User Manual	1 x LED Floodlight 1 x 1m flex + AU plug 1 x User Manual	1 x LED Floodlight 1 x 1m flex + AU plug 1 x User Manual	1 x LED Floodlight 1m flex + AU plug 1 x User Manual

*Total power consumed including driver

** Average life is calculated on expected average lifespan

NOX8/V4

80W LED FLOODLIGHT

The NOX 80W floodlight is our latest development of this iconic LED floodlight range. Featuring an unique offset bracket that makes for ease of installation, super slim body. NOX V4 is the brightest choice by far. Supported by a generous 7 Year Warranty with an M-World 3 Year OSW.

APPLICATIONS

Commercial or industrial applications:

- General area lighting (up to 20m)
- Facade/feature signage
- Car parks



IP65



IK10



DIMMABLE



BEAM



7 YEAR WARRANTY



FEATURES

- Aluminum die-cast AkzoNobel performance coated body
- Offset angle bracket
- Fully gasketed lens and driver plate cover to protect against the elements
- Power consumption: 80W
- White and warm white options available
- 1-10V dimming capability
- IP65 and IK10 rated
- 90° and pole and structure right angle bracket and fully adjustable spigot bracket accessories available

COMPLIANCE

SAA, IP65, IK10, C-TICK

TECHNICAL INFORMATION

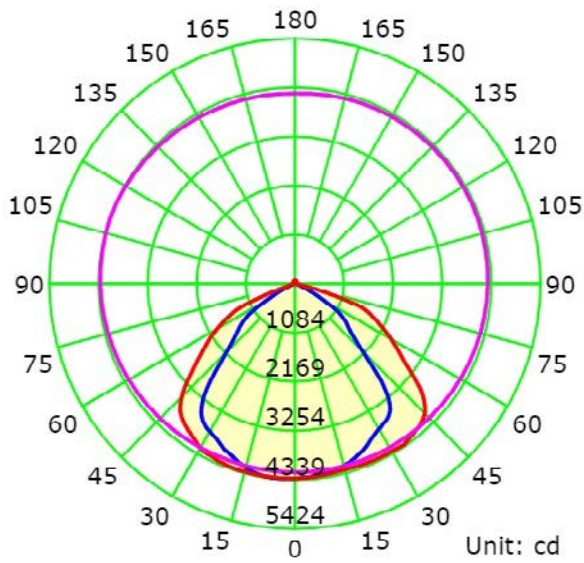
	ML-NOX8-V4-WW	ML-NOX8-V4-W
Total Power:	80W	
Lumen Output:	11,859lm	11,874lm
Colour Temp:	3000K	5700K
IP Rating:	IP65	
Efficacy:	148lm/W	148lm/W
CRI:	70+	
Beam Angle:	120x90°	
Temp Range:	-20° to +50°	
Dimmable:	Yes 1-10V	
Power Supply:	120 - 277V AC Tovin dimmable driver	
Average Life:	50,000 hrs**	
Inrush Current :	1 . 1 A	
Current Draw :	0 . 33 A	
Power Factor :	>0 . 9	
IK Rating	IK10	
LM Rating :	L70 - LM80	
Dimensions WxHxD:	407x345x85mm	
Weight:	4.44kg	
Warranty:	7 Years	
Construction:	ADC12 Aluminium heat sink with Akzonobel power coating & PC lens	

*Total power consumed including driver

** Average life is calculated on expected average lifespan

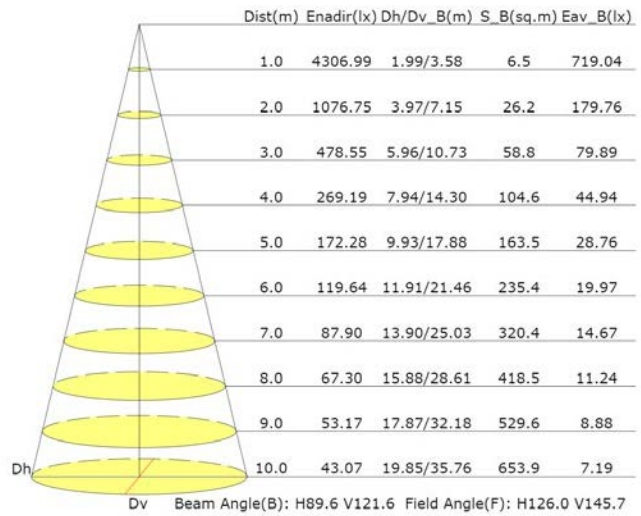
CANDELA DIAGRAM & ISOLUX PLOT

ML-NOX8-V4-W

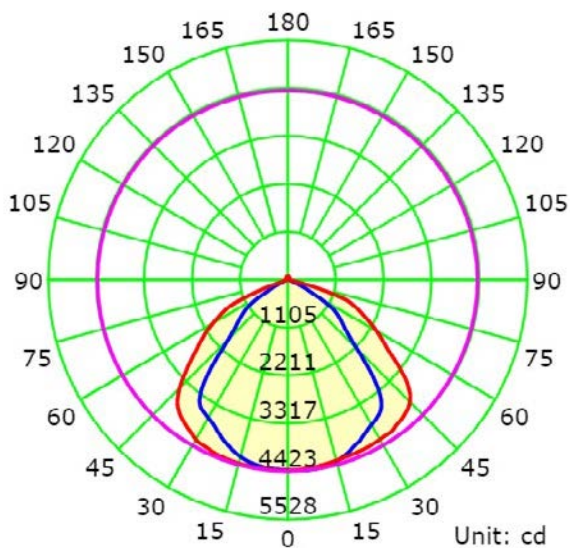


Average Diffuse Angle(50%): 105.6°

— C0-C180 — C90-C270 — G15

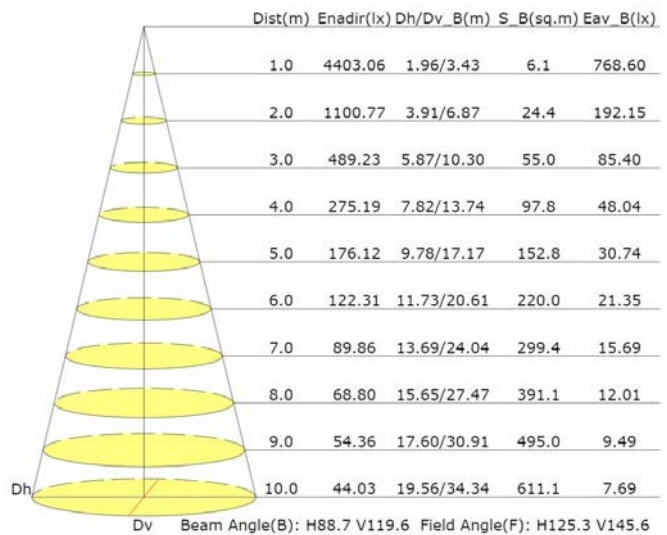


ML-NOX8-V4-WW

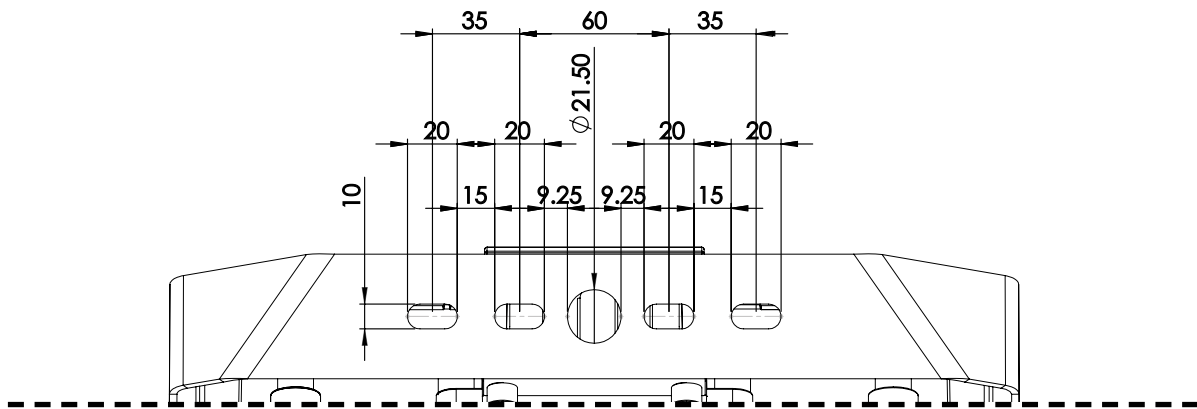
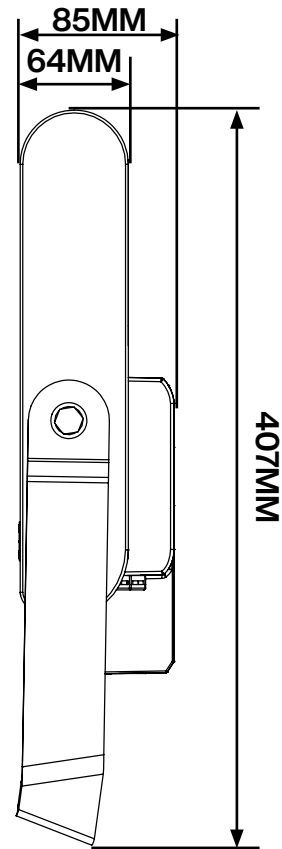
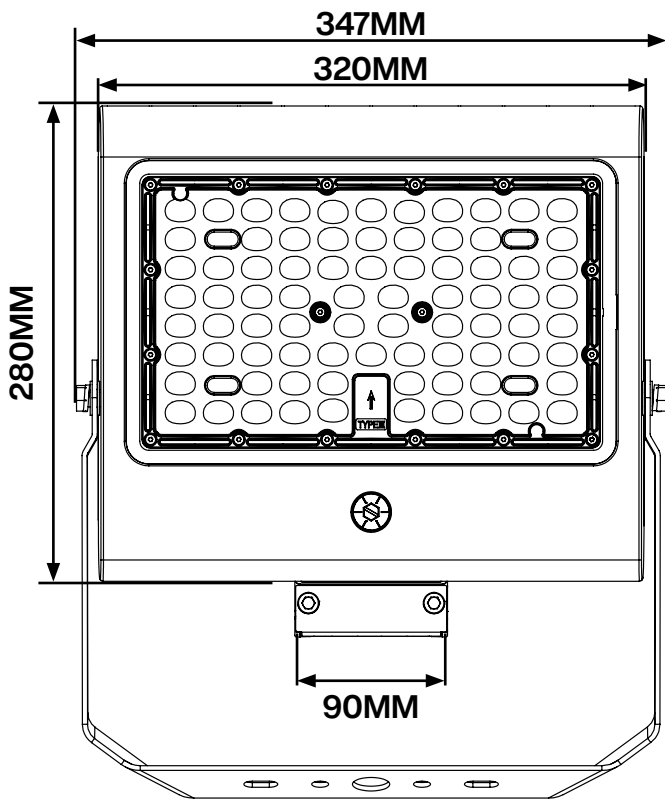


Average Diffuse Angle(50%): 104.1°

— C0-C180 — C90-C270 — G6



PRODUCT DIMENSIONS



NOX 5-15 4

50-150W LED FLOODLIGHT

The NOX 50-150W Floodlight is our latest development of this iconic LED floodlight range. Featuring an ultra-efficient offset bracket that installers demand, super slim body, power and lumen output select that provides high efficacy for efficient LED floodlighting that lead the category, NOXV4 is the brightest choice by far. Supported by a generous 7 Year Warranty with an M-World 3 Year OSW



APPLICATIONS

Commercial or industrial applications:

- General area lighting (up to 20m)
- Facade/feature signage
- Car parks



POWER SELECTABLE



IP65



IK10



DIMMABLE



120
x90°
BEAM



7
YEAR
WARRANTY

FEATURES

- Aluminum die-cast AkzoNobel performance coated body
- Offset angle bracket
- Fully gasketed lens and driver plate cover to protect against the elements
- Power selectable - Max 150W (50W/80W/100W/150W)
- White and warm white options available
- 1-10V dimming capability
- IP65 and IK10 rated
- 90° and pole and structure right angle bracket and fully adjustable spigot bracket accessories available

COMPLIANCE

SAA,IP65, IK10, C-TICK

TECHNICAL INFORMATION

	ML-NOX5-15-V4-WW	ML-NOX5-15-V4-W
Total Power:	MAX 150W (POWER SELECTABLE 50W/80W/100W/150W)*	
Lumen Output:	20,403lm	21,284lm
Colour Temp:	3000K	5700K
IP Rating:	IP65	
Efficacy:	136lm/W	142lm/W
CRI:	>70	
Input current inrush at 240V	1.8A	
Beam Angle:	120x90°	
Temp Range:	-20° to +50°	
Dimmable:	Yes 1-10V	
Power Supply:	120 - 277V AC Toinw dimmable driver	
Average Life:	50,000 hrs**	
Inrush Current:	1 . 8A	
Current Draw:	0 . 33A	
Power Factor :	>0 . 9	
IK Rating	IK10	
LM Rating	L70 - LM80	
Dimensions:	407x347x85mm	
Weight:	4.53kg	
Warranty:	7 Years	
Construction:	ADC12 Aluminium heat sink with Akzonobel power coating & PC lens	

*Total power consumed including driver

** Average life is calculated on expected average lifespan

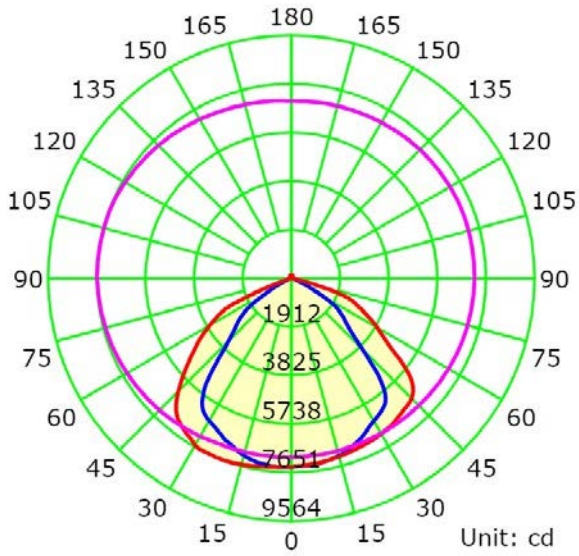
T. 1300 222 445 | www.melec.com.au

Data subject to change, visit our website for up to date information

For further information about our Warranties please go to:
melec.com.au/legal/warranties

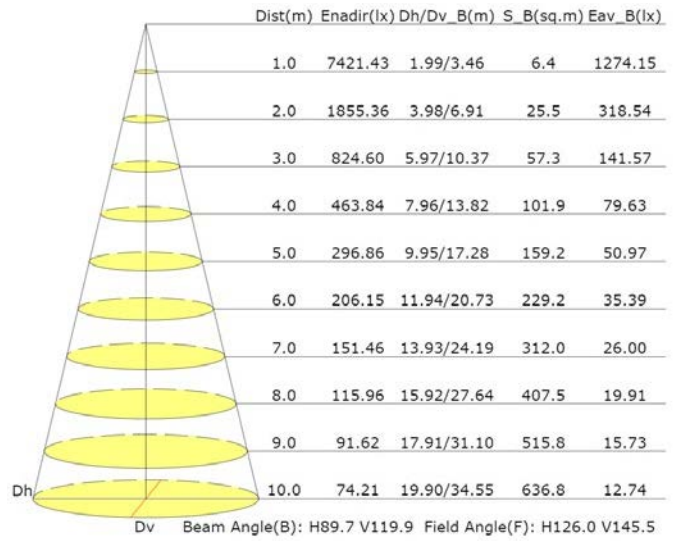
CANDELA DIAGRAM & ISOLUX PLOT

ML-NOX5-15-V4-W

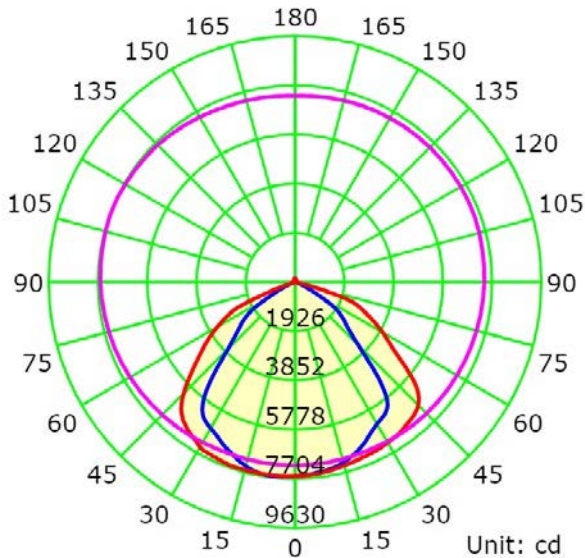


Average Diffuse Angle(50%): 104.8°

— C0-C180 — C90-C270 — G20

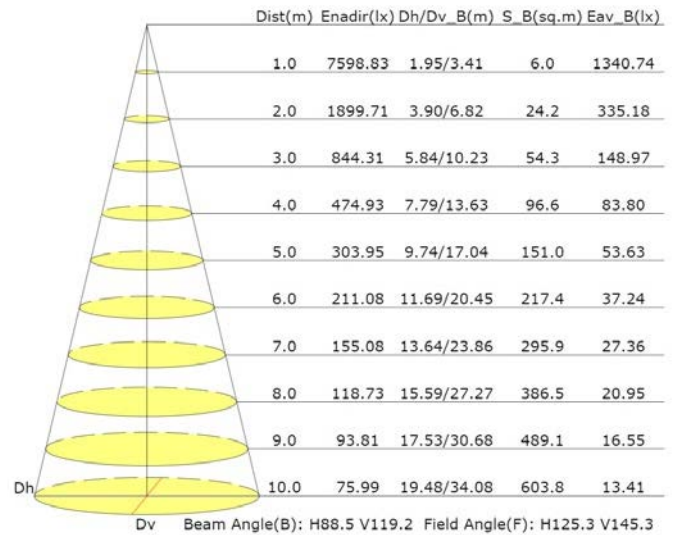


ML-NOX5-15-V4-WW

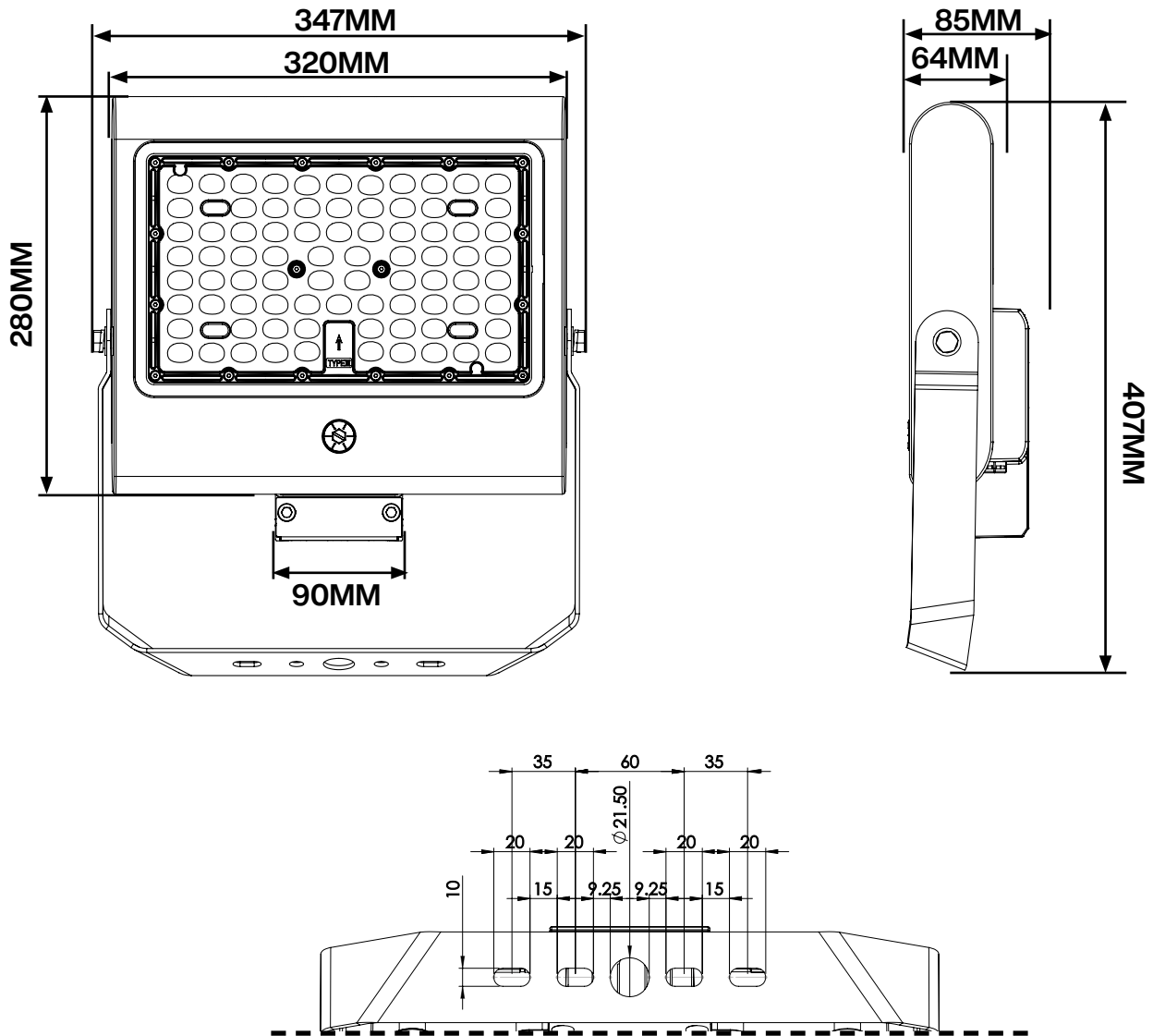


Average Diffuse Angle(50%): 103.8°

— C0-C180 — C90-C270 — G18



PRODUCT DIMENSIONS



POWER OUTPUT CHART

WATTAGE 150W		
MODEL	POWER (W)	LUMEN OUTPUT (lm)
150W 3000K	140	20403
150W 5700K	142	21284
100W 3000K	96	14952
100W 5700K	102	16309
80W 3000K	77	12381
80W 5700K	82	13540
50W 3000K	48	8122
50W 5700K	53	9072

NOX15-30 V4

150-300W LED FLOODLIGHT

The NOX 150-300W Floodlight is our latest development of this iconic LED floodlight range. Featuring an ultra-efficient offset bracket that installers demand, super slim body, power and lumen output select that provides high efficacy for efficient LED floodlighting that lead the category, NOXV4 is the brightest choice by far. Supported by a generous 7 Year Warranty with an M-World 3 Year OSW

APPLICATIONS

Commercial or sporting & Industrial applications:

- General area lighting (up to 30m)
- Facade/feature signage
- Car parks



POWER
SELECTABLE



IP65



IK10



DIMMABLE



BEAM



7
YEAR
WARRANTY



FEATURES

- Aluminum die-cast AkzoNobel performance coated body
- Offset angle bracket
- Fully gasketed lens and driver plate cover to protect against the elements
- Power selectable - Max 300W (150W/200W/240W/300W)
- White and warm white options available
- 1-10V dimming capability
- IP65 and IK10 rated
- 90° and pole and structure right angle bracket and fully adjustable spigot bracket accessories available

COMPLIANCE

SAA, IP65, IK10, C-TICK

TECHNICAL INFORMATION

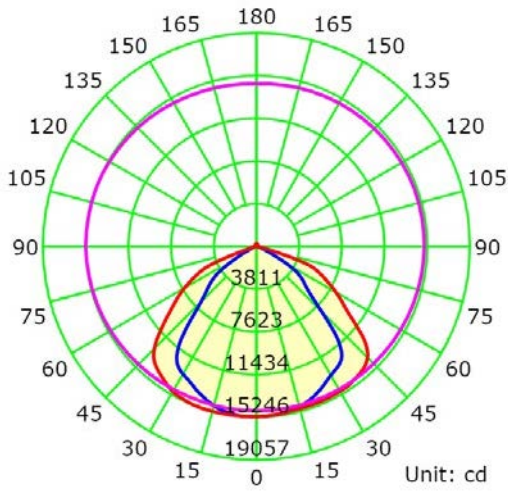
	ML-NOX15-30-V4-WW	ML-NOX15-30-V4-W
Total Power:	MAX 300W (POWER SELECTABLE 150W/200W/240W/300W)*	
Lumen Output:	41,582lm	42,332lm
Colour Temp:	3000K	5700K
IP Rating:	IP65	
Efficacy:	138lm/W	141lm/W
CRI:	>70	
Frequency	50/60Hz	
Input current inrush at 240V	3.5A	
Beam Angle:	120x90°	
Temp Range:	- 20° to +50°	
Dimmable:	Yes 1-10V	
Power Supply:	120 - 277V AC Tovin dimmable driver	
Average Life:	50,000 hrs**	
Inrush Current :	3 . 5A	
Current Draw :	0 . 833A	
Power Factor :	>0 . 9	
IK Rating	IK10	
LM Rating	L70 - LM80	
Dimensions:	594x357x95mm	
Weight:	7.4kg	
Warranty:	7 Years	
Construction:	ADC12 Aluminium heat sink with Akzonobel power coating & PC lens	

*Total power consumed including driver

** Average life is calculated on expected average lifespan

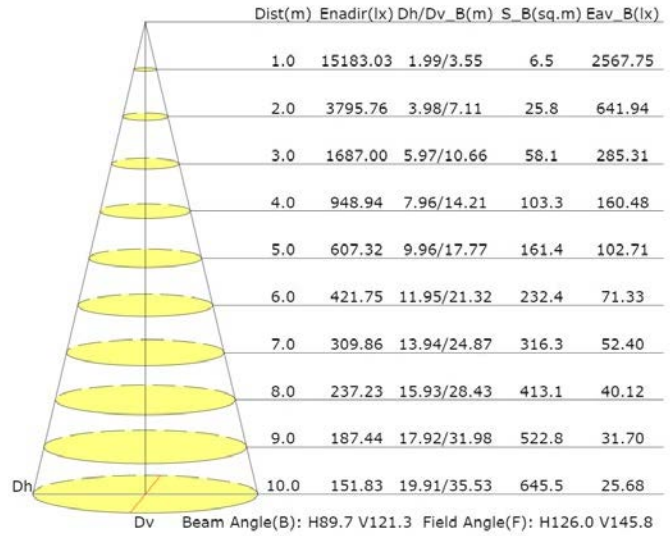
CANDELA DIAGRAM & ISOLUX PLOT

ML-NOX15-30-V4-W

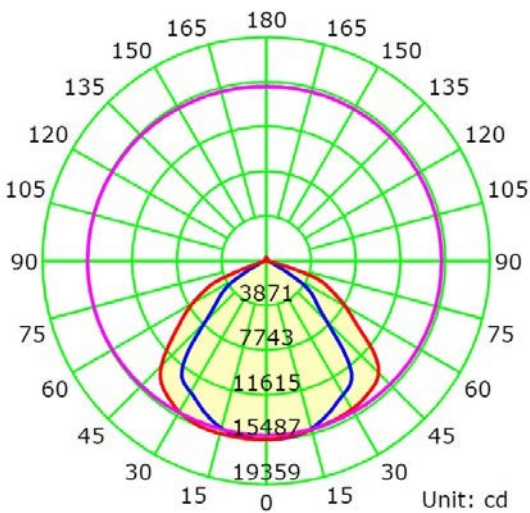


Average Diffuse Angle(50%): 105.5°

— C0-C180 — C90-C270 — G17

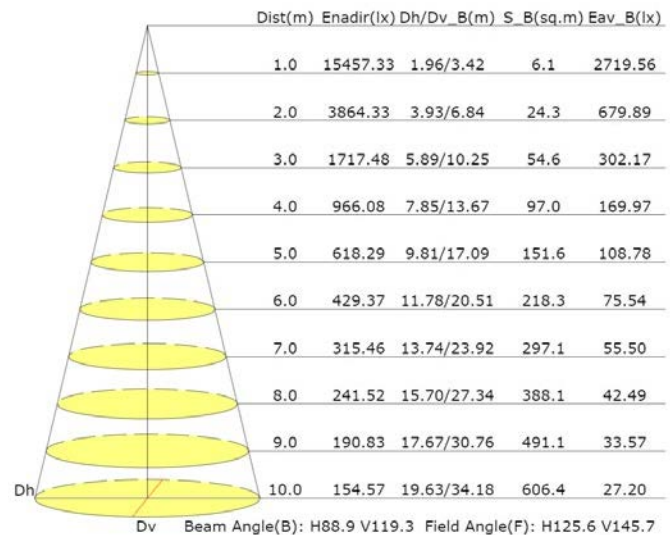


ML-NOX15-30-V4-WW

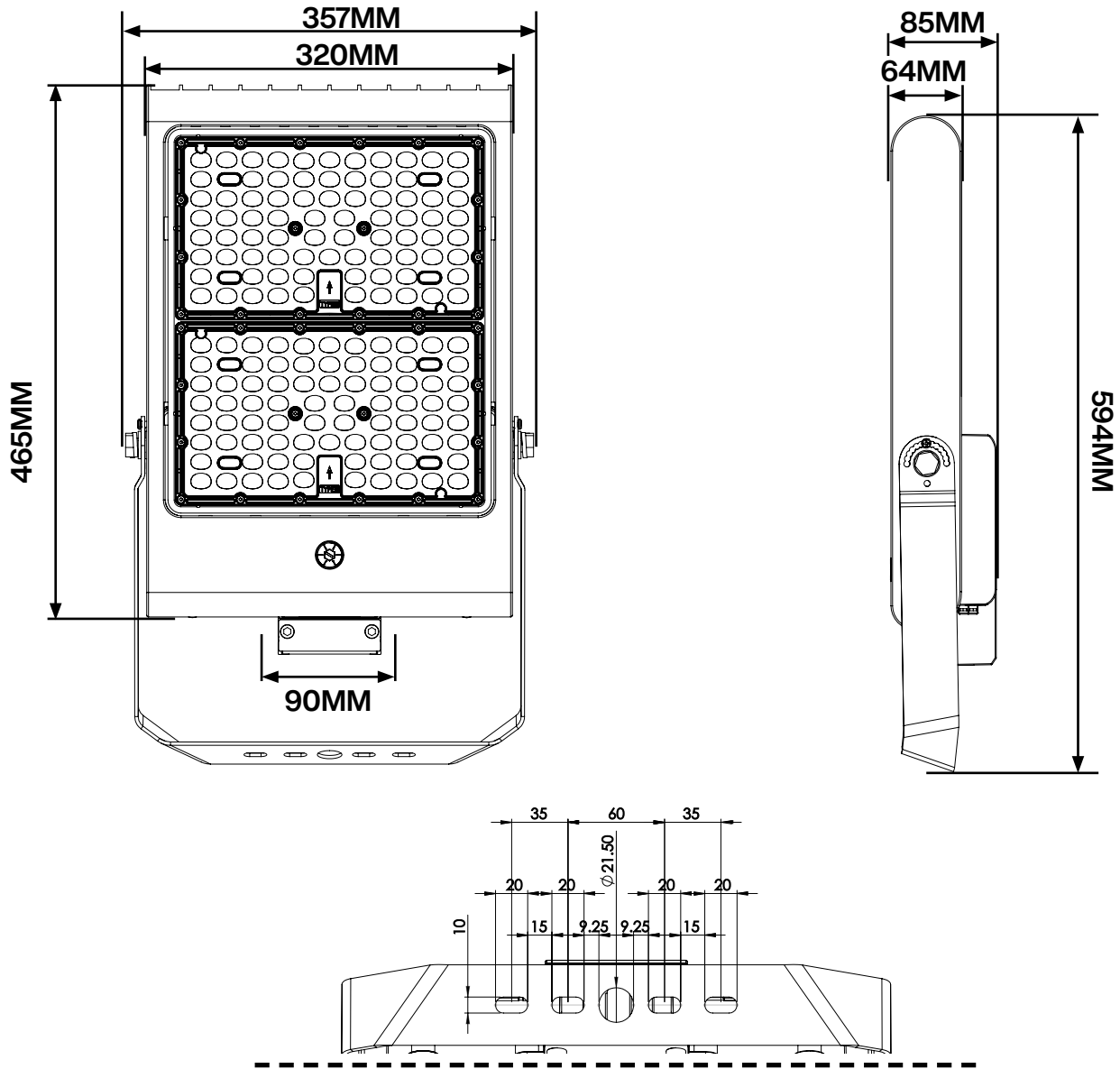


Average Diffuse Angle(50%): 104.1°

— C0-C180 — C90-C270 — G14



PRODUCT DIMENSIONS



POWER OUTPUT CHART

WATTAGE 300W		
MODEL	POWER (W)	LUMEN OUTPUT (lm)
300W 3000K	282	41582
300W 5700K	282	42332
240W 3000K	244	36993
240W 5700K	244	37635
200W 3000K	202	31600
200W 5700K	202	32043
150W 3000K	153	24753
150W 5700K	153	25108

NOX 30-60

300-600W LED FLOODLIGHT

The NOX 300-600W Floodlight is our latest development of this iconic LED floodlight range. Featuring an ultra-efficient offset bracket that instillers demand, super slim body, power and lumen output select that provides high efficacy for efficient LED floodlighting that lead the category, NOX V4 is the brightest choice by far. Supported by an M-Elec 7year warranty with an M-World 3 Year OSW.

APPLICATIONS

Commercial or Sporting & Industrial applications:

- General area lighting (up to 50m)
- Sports field lighting
- Facade/feature signage
- Car parks



POWER
SELECTABLE



IP65



IK10



DIMMABLE



BEAM



WARRANTY



FEATURES

- Aluminum die-cast AkzoNobel performance coated body
- Offset angle bracket
- Fully gasketed lens and driver plate cover to protect against the elements
- Power selectable - Max 600W (300W/400W/500W/600W)
- White and warm white options available
- 1-10V dimming capability
- IP65 and IK10 rated
- 90° and pole and structure right angle bracket and fully adjustable spigot Bracket accessories available

COMPLIANCE

SAA, IP65, IK10, C-TICK

TECHNICAL INFORMATION

	ML-NOX30-60-V4-WW	ML-NOX30-60-V4-W
Total Power:	MAX 600W (POWER SELECTABLE 300W/400W/500W/600W)*	
Lumen Output:	79,637lm	80,763lm
Colour Temp:	3000K	5700K
IP Rating:	IP65	
Efficacy:	133lm/W	135lm/W
CRI:	>70	
Frequency	50/60Hz	
Input current inrush at 240V	7.0A	
Beam Angle:	120x90°	
Temp Range:	-20° to +40°	
Dimmable:	Yes 1-10V	
Power Supply:	120 - 277V AC Tovin dimmable driver	
Average Life:	50,000 hrs**	
Inrush Current :	7 . 0A	
Current Draw :	1 . 66A	
Power Factor :	>0 . 9	
IK Rating	IK10	
LM Rating	L70 - LM80	
Dimensions:	739x357x136mm	
Weight:	11.4kg	
Warranty:	7 Years	
Construction:	ADC12 Aluminium heat sink with Akzonobel power coating & PC lens	

*Total power consumed including driver

** Average life is calculated on expected average lifespan

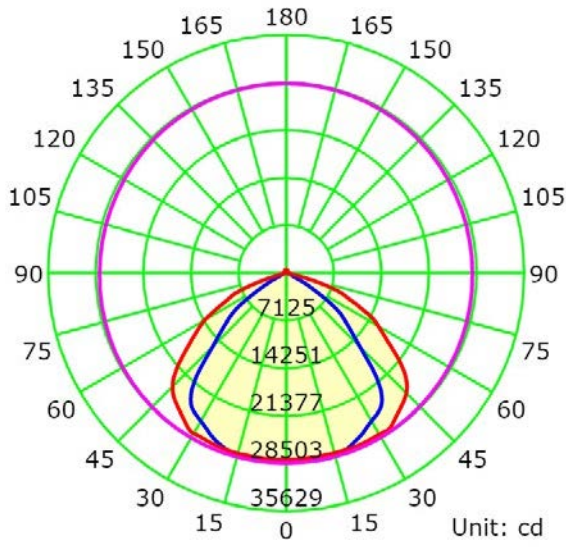
T. 1300 222 445 | www.melec.com.au

Data subject to change, visit our website for up to date information

For further information about our Warranties please go to:
melec.com.au/legal/warranties

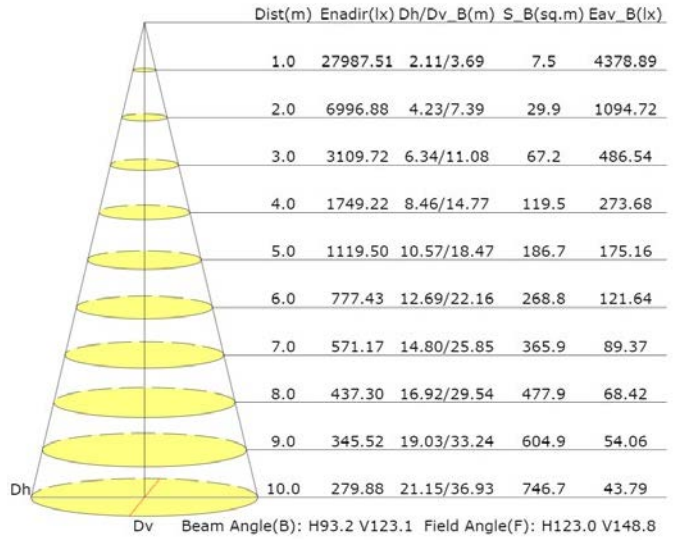
CANDELA DIAGRAM & ISOLUX PLOT

ML-NOX30-60-V4-W

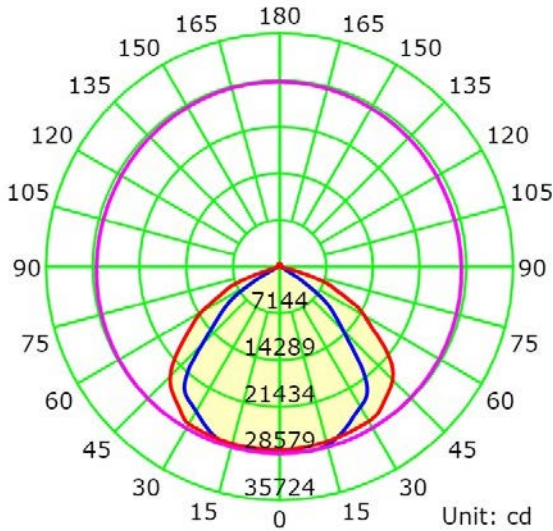


Average Diffuse Angle(50%): 108.2°

— C0-C180 — C90-C270 — G11

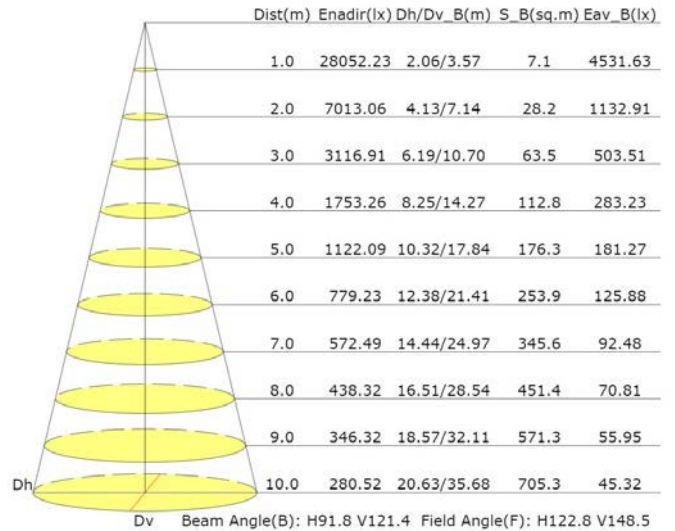


ML-NOX30-60-V4-WW

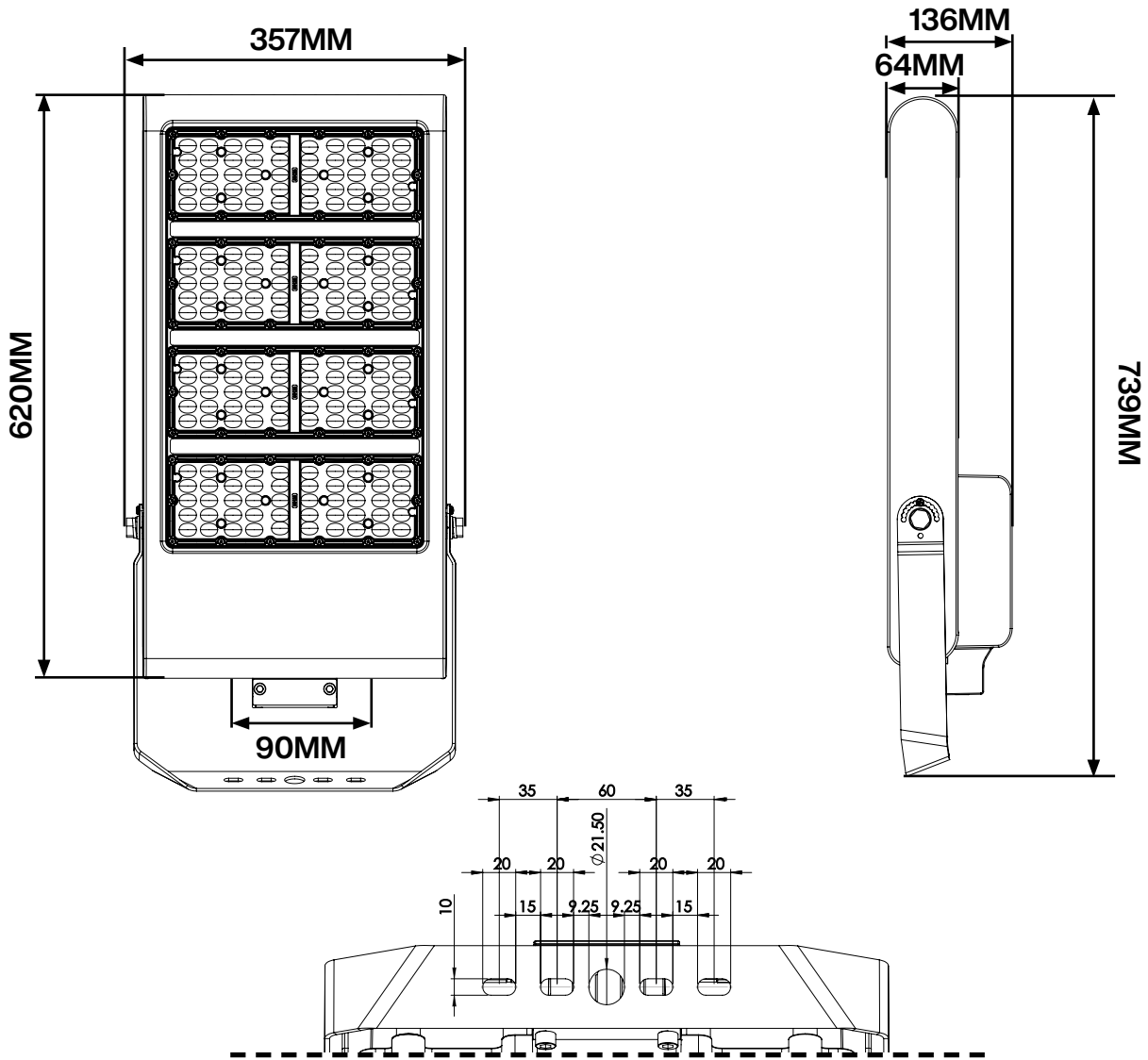


Average Diffuse Angle(50%): 106.6°

— C0-C180 — C90-C270 — G10



PRODUCT DIMENSIONS

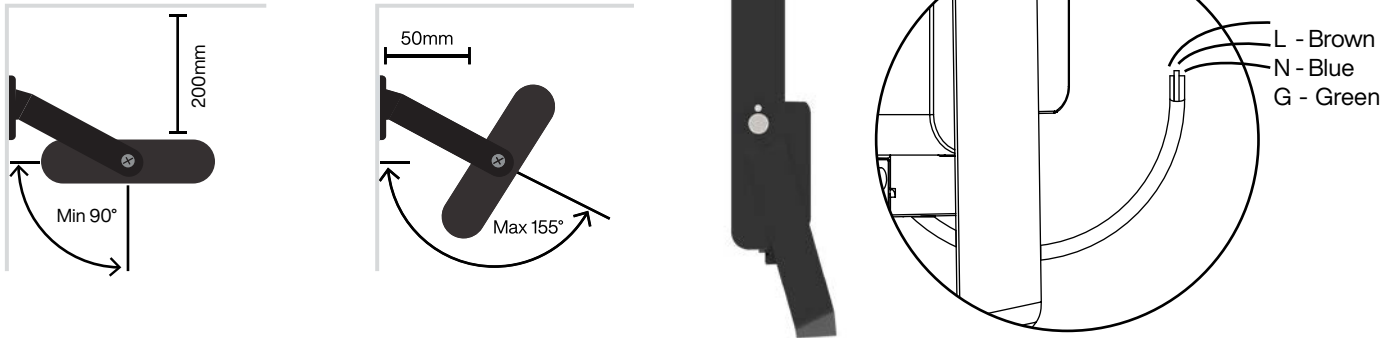


POWER OUTPUT CHART

WATTAGE 600W		
MODEL	POWER (W)	LUMEN OUTPUT (lm)
600W 3000K	584	79637
600W 5700K	581	80763
500W 3000K	498	70939
500W 5700K	493	70476
400W 3000K	401	58911
400W 5700K	393	58070
300W 3000K	303	46810
300W 5700K	299	45644

INSTALLATION GUIDE

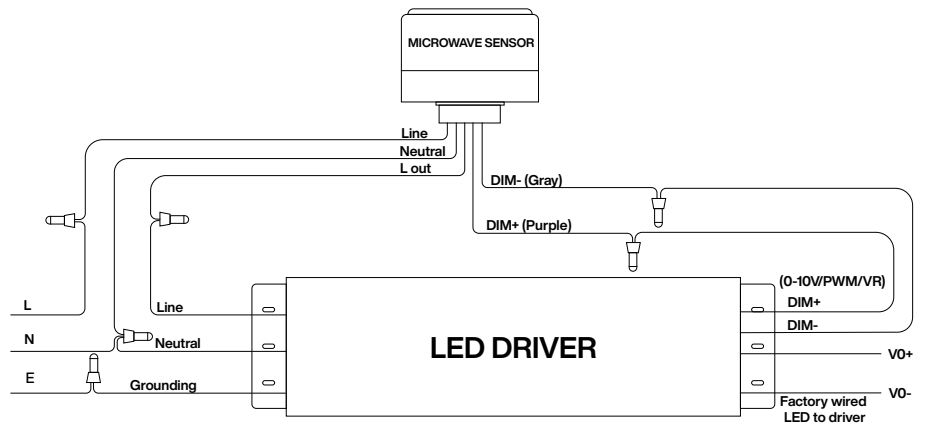
1. Do not remove any part of the fitting.
2. Install fitting using correct equipment and components (e.g.. Expansion bolts for masonry)
3. Connect wires using M-Elec's newest junction box Noxbox™ (to be purchased separately) or other suitable enclosure.



DIMMING CONNECTIONS

Please note: Do not connect anything other than a 0-10V dimmer or control system or the warranty will be void.

1. Open the back of the light fitting.
2. Safely locate the purple (+) and grey (-) 0-10V dimming cables. Connect to your 0-10V dimming system.
3. Ensure you use suitable sealant/glands to keep the IP rating.
4. Refit the back plate and ensure all seals are secure. Water penetration from a failure to seal the fitting properly will not be covered under warranty.

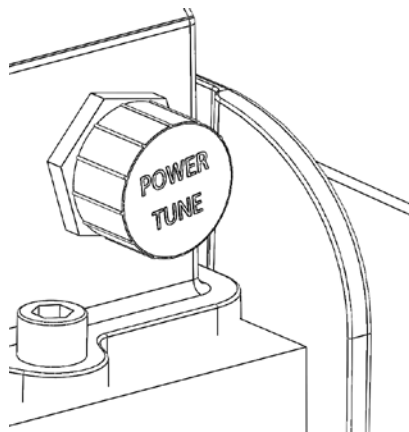


For 1-10V dimming disconnect the purple and grey leads from the DIP switch & connect to 1-10V circuit

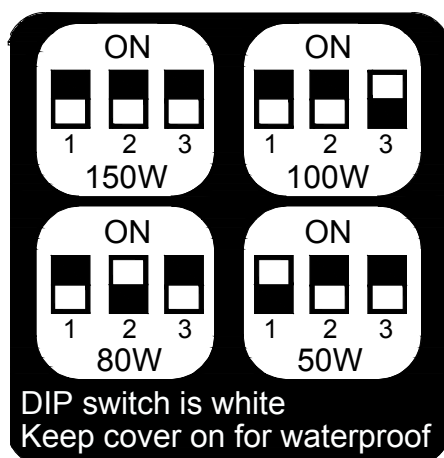
POWER SELECTION

To select the power wattage ensure power is off prior to adjusting.

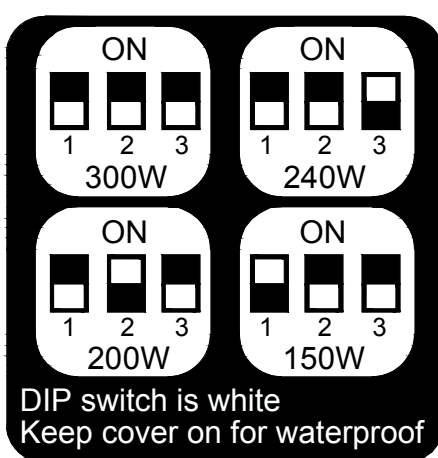
1. Unscrew the knob cap before using the selectable power function.
2. Select the wattage by toggling the DIP switch 1, 2, 3 to select the corresponding power.
3. Screw the cap on after selection.



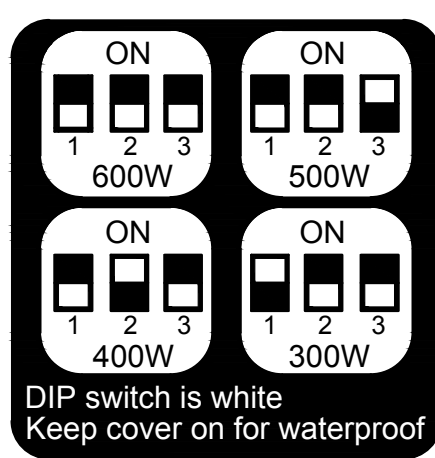
NOX5-15



NOX15-30



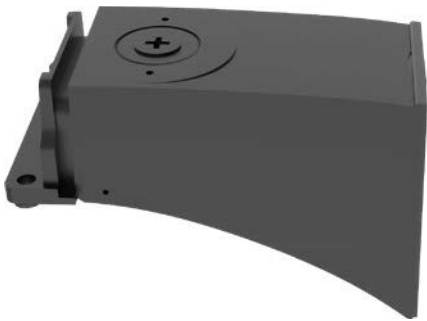
NOX30-60



PLEASE NOTE

- Read instructions carefully before attempting to install the fitting. Retain this guide for future reference
- Disconnect power before installing or servicing
- This fitting is for outdoor use and should not be used in areas with limited ventilation or high ambient temperatures
- Do not extend low voltage cables from the output of power supply
- All components must not be mechanically stressed
- Be careful not to damage or destroy conductive paths on the circuit board
- Follow all relevant electrical and safety standards (including AS3000)
- Correct electrical polarity must be observed as the wrong polarity may destroy the product and is not covered under warranty
- Damage by corrosion will not be honoured as a material defect claim. It is the user's responsibility to provide suitable protection against corrosive agents such as moisture, condensation and other harmful elements

ACCESSORIES



MOUNTING ARM
ML-NOXV4BKT
 (SUITS NOX8, NOX5-15, NOX15-30
 NOX30-60)



POLE MOUNT BRACKET
ML-NOXV4-SPBKT
 (SUITS NOX8, NOX5-15, NOX15-30
 NOX30-60)



MICROWAVE SENSOR
ML-HB-MS1
 (SUITS NOX8, NOX5-15, NOX15-30
 NOX30-60)



PE CELL
ML-PEC-1 / ML-PEC-1-BL
 (SUITS NOX8, NOX5-15, NOX15-30
 NOX30-60)



HALF SHROUD (REVERSIBLE)
ML-NOXV4-HS-8-15
 (SUITS NOX8, NOX5-15)



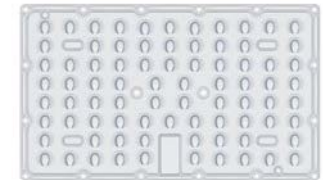
FULL SHROUD
ML-NOXV4-FS-8-15
 (SUITS NOX8, NOX5-15)



HALF SHROUD (REVERSIBLE)
ML-NOXV4-HS-15-30
 (SUITS NOX15-30)



FULL SHROUD
ML-NOXV4-FS-15-30
 (SUITS NOX15-30)



TYPE 3 LENS
ML-NOXV4-T3-8-30
 (SUITS NOX8, NOW5-15, NOX15-30)
ML-NOXV4-T3-60
 (SUITS NOX30-60)

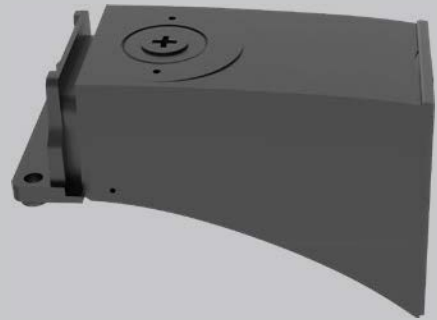
NOX4 Floodlight

Bracket Guide

ML-NOXV4BKT

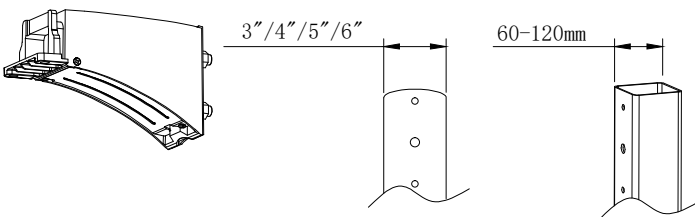
Compatible with:

- NOX8
- NOX5-15
- NOX15-30
- NOX30-60

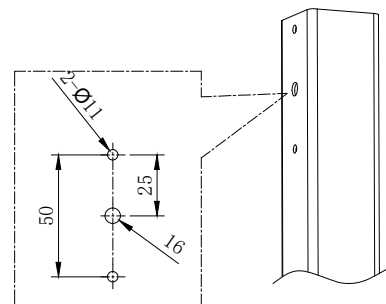


FLAT SURFACE BRACKET INSTALLATION - ML-NOXV4BKT

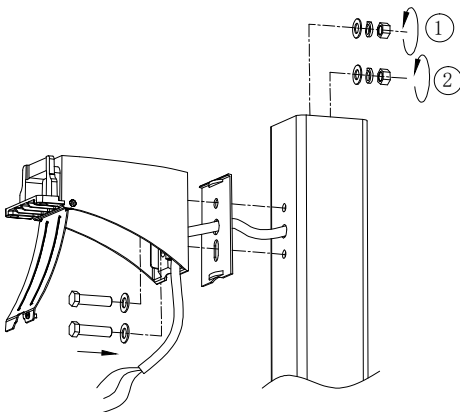
A



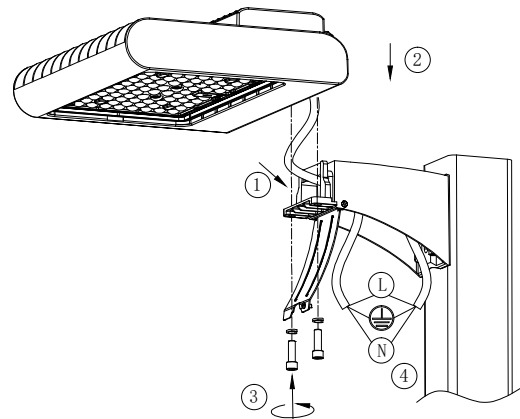
B



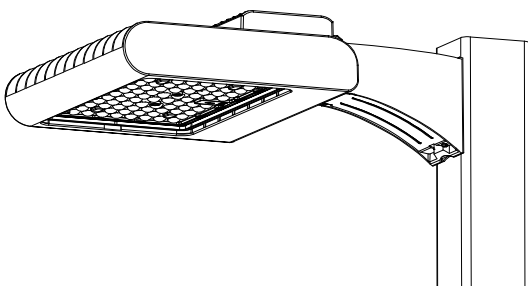
C



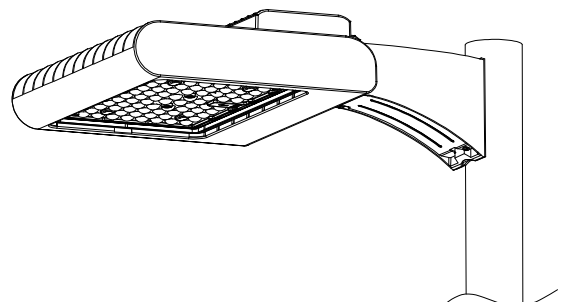
D



E



F



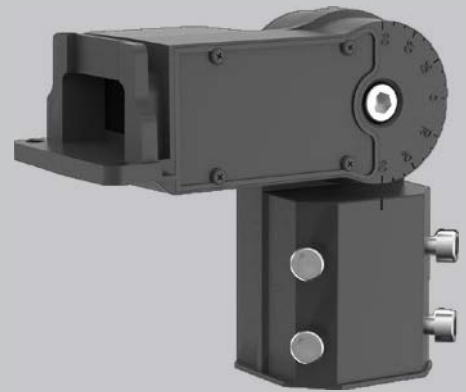
NOX4 Floodlight

Bracket Guide

ML-NOXV4SPBKT

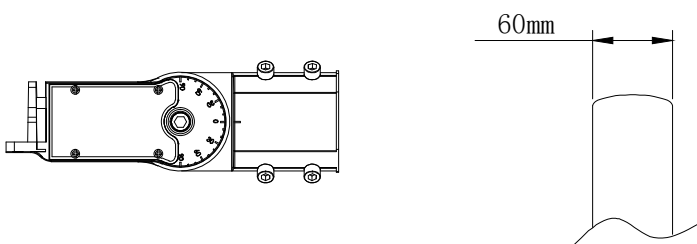
Compatible with:

- NOX8
- NOX5-15
- NOX15-30

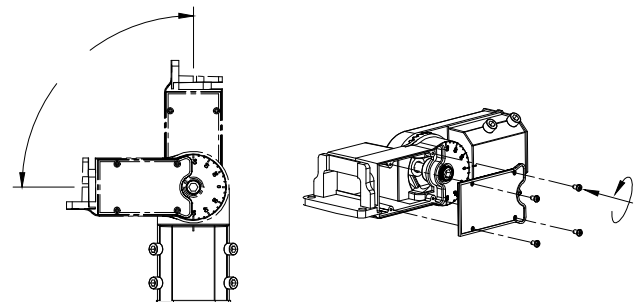


SPIGOT POLE MOUNT ADAPTER INSTALLATION - ML-NOXV4SPBKT

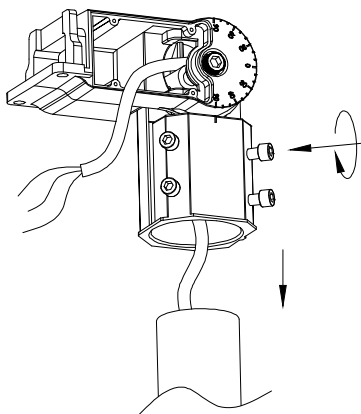
A



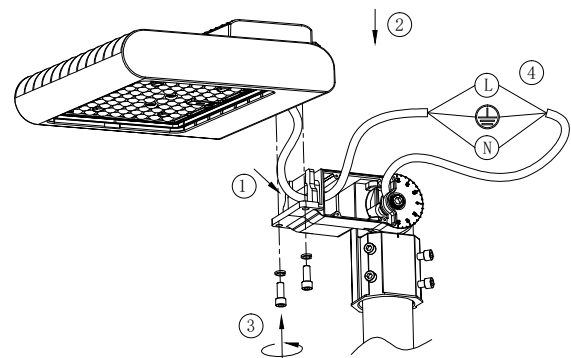
B



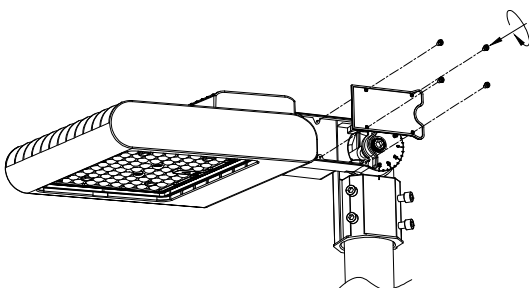
C



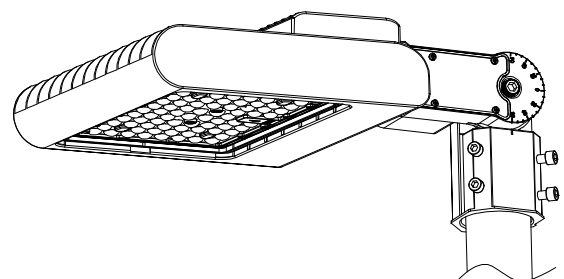
D



E



F



NOX4 Floodlight

Shroud Guide

ML-NOXV4-HS & FS

Compatible with:

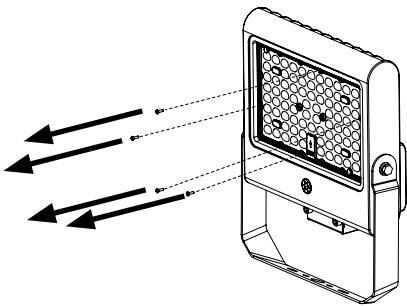
- NOX8
- NOX5-15
- NOX15-30



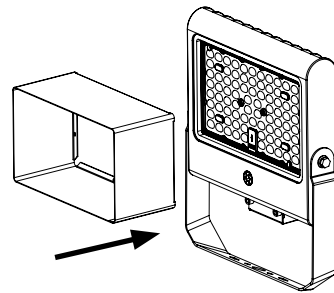
***INCLUDES ADDITIONAL LONGER SCREWS FOR GLARE SHROUD**

SHROUD INSTALLATION - ML-NOXV4-HS-8-15, ML-NOXV4-FS-8-15, ML-NOXV4-HS-15-30, ML-NOXV4-FS-15-30

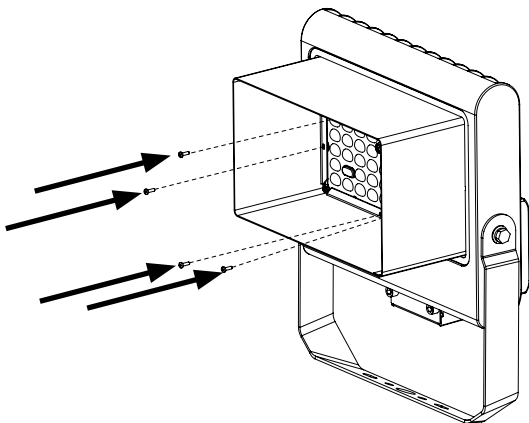
A



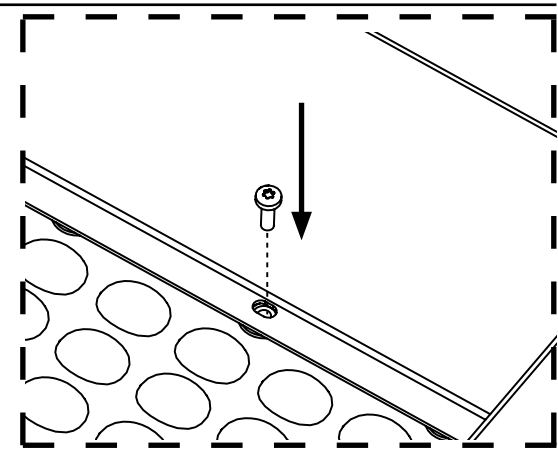
B



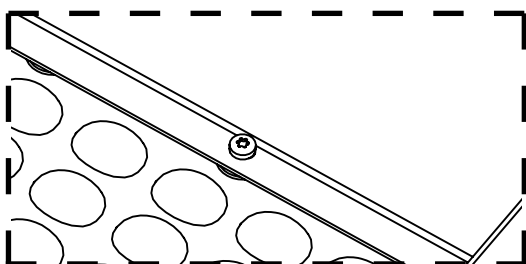
C



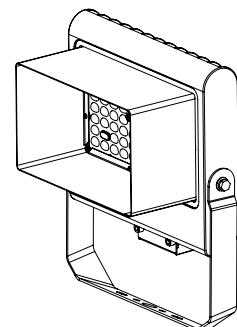
D



E



F



FREE
ONSITE WARRANTY

EXCLUSIVE TO
MEMBERS ONLY

