

Catalogue No: **M6RCBF2530A**

MOD6 RCBO 3P+N 6kA 25A C CURVE 30mA TYPE A 72mm

Power Distribution and Protection > Circuit Breakers > Miniature Circuit Breakers and Earth Leakage Protection (RCDs and RCBOs) > MOD6 Residual Current Device > MOD6 RCBO 6kA (RCBF) 3P+N Model > Type A



MOD6 RCBO, 3P + N , 6kA , 25A C Curve 30mA Type A

- Complies with AS/NZS 61009-1 (RCBOs)
- MOD6 RCBOs feature 6kA short circuit rating
- Type A RCD with switched neutral
- 30mA sensitivity general personnel protection applications
- C trip curve for general light and power applications
- Fast connection pin busbar comb
- Blue earth leakage indicator flag
- Dual incoming and outgoing terminals
- Suits pole-covers and loadcentres
- Approval No. RCM
- Energy Safe Victoria (ESV) compliant for residential applications

Representative Photo Only
(actual product may vary based on configuration selections)

SPECIFICATIONS

Product Series	MOD6
Component Type Power Distribution & Protection	RCBO
Trip Curve	C
RCD Type, AS/NZS 61008/61009	A
Tripping Time at I _{Δn} , Instantaneous	<300 ms
I _n , Rated Current at 30°C	25 A @30°C
I _{Δn} , Rated Leakage Current	30 mA
I _{cn} , Rated Short-Circuit Capacity, 3P/4P, 230/400V AC	6 kA
Rated Voltage (U _e)	415 V
Dielectric Test Voltage at ind. freq. for 1 min	2.5 kV
Poles	3P + N
Vibration Rating IEC60068-2-6	0.35g or 5g, 20 Cycles at 5...150...5 Hz without load
Contact Position Indication	Green Flag - OFF, Red Flag - ON
Rated Frequency	50 / 60 Hz
U _n , Nominal Operational Voltage, AC	415 V AC
Trip Flag Indicator - Earth Leakage	Blue Flag
Environmental IEC60068-2-30	28 Cycles with 55oC/90-96% and 25oC/95-100%
U _{bmin} , Service Voltage, AC, Min	195 V AC
U _{bmax} , Service Voltage, AC, Max	440 V AC
I _{Δm} , Rated Residual Make/Break Capacity	4500 A
U _{imp} , Impulse Withstand Voltage, 1.2/50μs	4 kV, 1.2/50μs
Isolator Application, IEC 60947-2	Yes
Shock Duration (Max.)	13 ms
U _i , Rated Insulation Voltage	500 V (rms)
Approval(s)	RCM
Standards Compliance	AS/NZS 61009-1 AS/NZS 61009-2-1
Electrical Service Life at U _n , I _n	10000 cycles



Catalogue No: **M6RCBF2530A**

MOD6 RCBO 3P+N 6kA 25A C CURVE 30mA TYPE A 72mm

Power Distribution and Protection > Circuit Breakers > Miniature Circuit Breakers and Earth Leakage Protection (RCDs and RCBOs) > MOD6 Residual Current Device > MOD6 RCBO 6kA (RCBF) 3P+N Model > Type A



Mechanical Service Life	20000 cycles
Shock Acceleration (Max.)	30 g
Shock Rating	IEC 60077-16-3
IP Rating, Inside	IP4X
Conductor Entry Position	Top / Bottom
IP Rating, Outside	IP2X
Package Quantity	1 qty
Tightening Torque, Top, Nominal	2.8 Nm
Tightening Torque, Bottom, Nominal	2.8 Nm
Busbar System, Top	Pin
Accessories	No
Busbar System, Bottom	Pin
Trip-Free Mechanism	Yes
Mounting	DIN-35 Rail Mount
Sealable	Yes
Centre Trip Position	No
Height	75 mm
Width	72 mm
Depth	80 mm
Weight	0.48 kg
Neutral Pole Switched	Yes
Operating Temperature, Min	-25 °C min
Operating Temperature, Max	55 °C max
Storage Temperature, Min	-40 °C min
Storage Temperature, Max	70 °C max

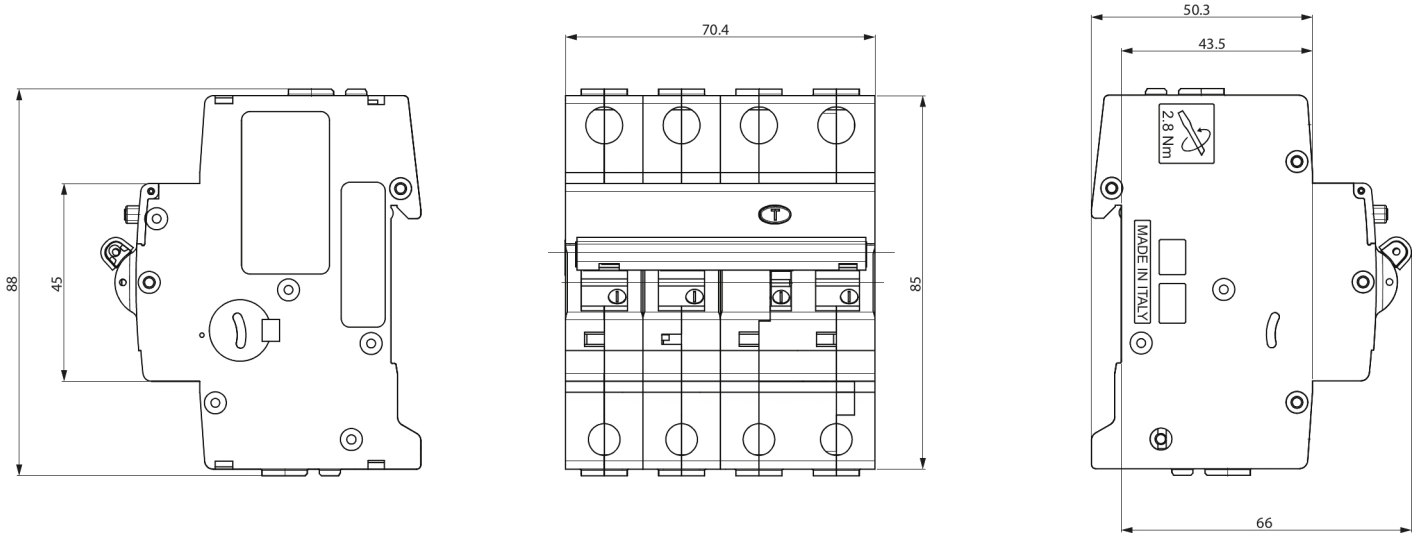
REFERENCES

IECEX Certificate	-
Supplier Declaration of Conformity:	-
Installation Guide:	-
User Manual:	-
Manufacturer Datasheet:	-
Manufacturer Catalogue & Product Selection:	-

Catalogue No: **M6RCBF2530A**

MOD6 RCBO 3P+N 6kA 25A C CURVE 30mA TYPE A 72mm

Power Distribution and Protection > Circuit Breakers > Miniature Circuit Breakers and Earth Leakage Protection (RCDs and RCBOs) > MOD6 Residual Current Device > MOD6 RCBO 6kA (RCBF) 3P+N Model > Type A



Dimension Diagram