

1BOX[®] C2030



High Powered LED Downlight

PRODUCT INFORMATION

20-30W commercial downlight with switchable output wattage and 3 output colours

INCLUDED IN THE BOX

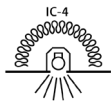
- 1 x LED High powered downlight
- 1 x Dimmable driver
- 1 x Flex & plug



*Total power consumed including driver
**IP rating refers to installed product

TECHNICAL INFORMATION

Total power consumed:	24W 34W* (MAX 36W)
Lumen output 20W:	2533lm WW 2785lm NW 2514lm W
Lumen output 30W:	3268lm WW 3663lm NW 3251lm W
Colour temperature:	3000K WW 4000K NW 6000K W
Efficacy:	97-121lm/W
IP rating:	IP54** (Whole fitting IP rating: IP20)
CRI:	80+
Beam angle:	96°
Average life:	35,000 hrs
Warranty:	7 years
Diameter:	228 mm Depth 76 mm Cut-out 185 mm
Weight:	0.91 kg



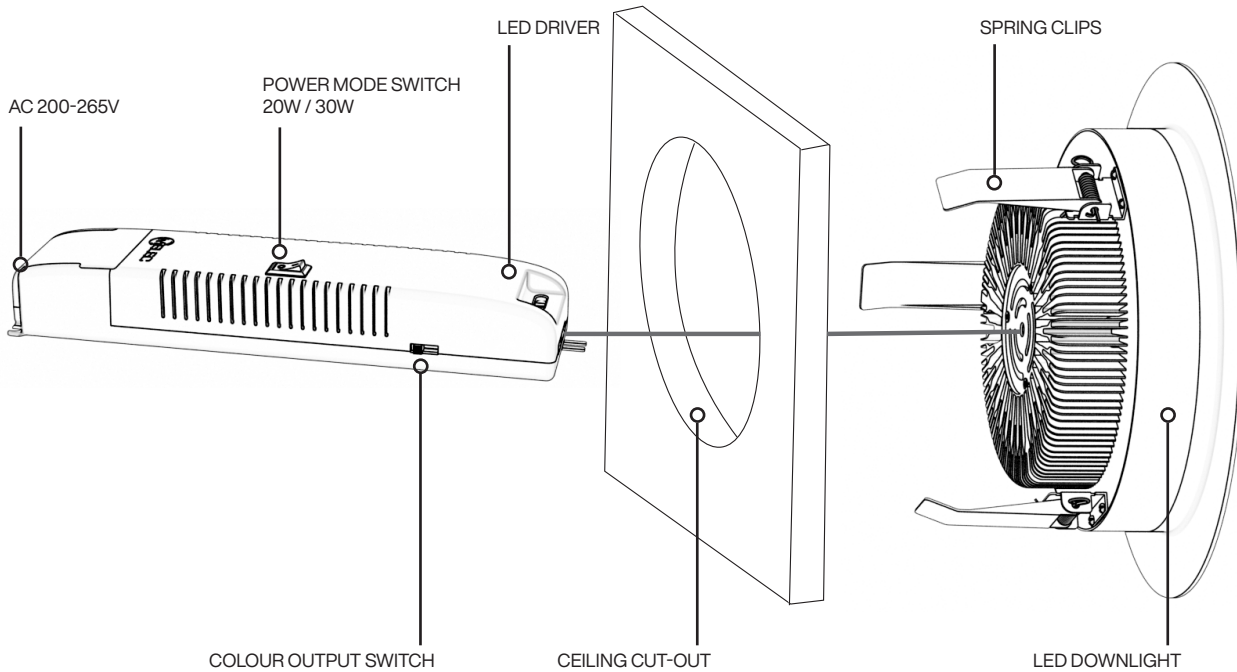
DRIVER TECHNICAL INFORMATION

Dimmable:	Yes (for dimming range see our website)
Power supply:	ML-1BOX-C2030-DV2 (Constant current)
Input Voltage:	200-265V, 50-60Hz; Input current: 0.13/0.19A
Output Voltage:	30-40V, 610/840mA.
Ratings:	Do not cover, Independent, SELV, Class II,
Ta:	-10°...+ 45°, Tc: 80°



INSTALLATION INSTRUCTIONS

1. Disconnect mains before proceeding,
2. Remove existing downlight and disconnect old transformer OR mark and cut out 185 mm hole in ceiling,
3. Wire up new LED power supply in accordance with marked terminals,
4. Set the switch on the driver to 20W / 30W power mode (refer to diagram 1),
5. Set the switch on the side of the driver to desired setting (refer to diagram 2), default setting is manual mode; Neutral White,
6. Plug-in high powered downlight to the connector from the power supply,
7. TEST to ensure all downlights are producing same output colour if in AUTO mode. If not, follow the "Master reset" steps (see next page)
8. Carefully bend spring clips upwards and install new LED downlight.



PLEASE NOTE!

HCB = MIC = SCB = SCI = 0mm

Building insulation may abut the sides of the luminaire

HCB – Height clearance to building element

Minimum distance as specified by the luminaire manufacturer between the top of the recessed luminaire and any building element above it.

MIC – Minimum insulation clearance

Minimum distance as specified by the luminaire manufacturer between the top of any building insulation and the building element above it.

SCB – Side clearance to building element

Minimum distance between the side of the recessed luminaire and any building element as specified in AS/NZS 3000 or as specified by the luminaire manufacturer.

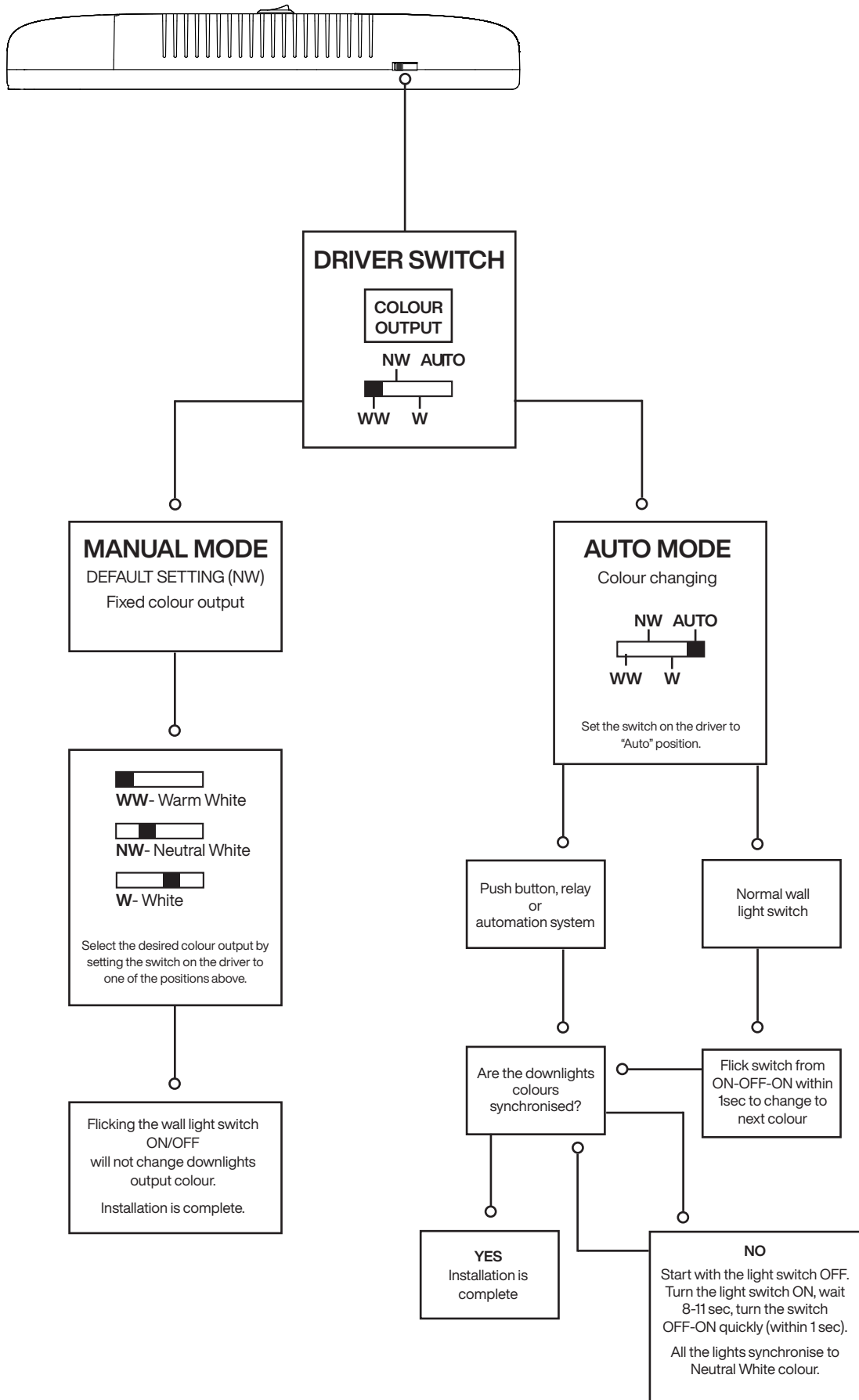
SCI – Side clearance to insulation

Minimum distance as specified by the luminaire manufacturer between the recessed luminaire and any building insulation.

Type Y attachments: if the external flexible cable or cord of this luminaire is damaged, it shall be exclusively replaced by the manufacturer or his service agent or a similar qualified person in order to avoid a hazard.

Non-user replaceable light sources: The light source contained in this luminaire shall only be replaced by the manufacturer or his service agent or a similar qualified person.

DRIVER FACTORY SET



MASTER RESET

If any of the 1BOXC2030 downlights are out of synchronisation when on "AUTO" mode (are in different colour output than the rest), please follow the steps below.

1. Start with the light switch OFF.
2. Turn the light switch ON, wait 8-11 sec, then turn the switch OFF-ON quickly (within 1 sec).
3. All the lights synchronise to Neutral White colour.

PLEASE NOTE!

If this product is set to **AUTOMATIC** mode and there is inconsistent or fluctuating voltages, the light fitting may change colour.

Please see the instructions on how to reset the drivers to factory settings if this occurs. M-Elec will not be held responsible for any variations in voltage or flickering that are on the input side of the drivers. If any of these problems continue to occur we suggest operating the 1BOX in MANUAL mode and contacting your electricity provider.

- MUST BE INSTALLED BY LICENSED ELECTRICIAN
- Do not extend low voltage cables from the output of power supply
- All components must not be mechanically stressed
- Be careful not to damage or destroy conductive paths on the circuit board
- Follow all relevant electrical and safety standards (including AS3000)
- Correct electrical polarity must be observed as the wrong polarity may destroy the product and is not covered under warranty
- Damage by corrosion will not be honoured as a material defect claim. It is the user's responsibility to provide suitable protection against corrosive agents such as moisture, condensation and other harmful elements.
- For further information including photometrics & dimming range, please visit www.melec.com.au
- Type Y attachments: if the external flexible cable or cord of this luminaire is damaged, it shall be exclusively replaced by the manufacturer or his service agent or a similar qualified person in order to avoid a hazard.