

MRAR10

ULTRA-SLIM 10W LED DOWNLIGHT



CUT OUT
90-95MM



COMPATIBLE WITH
MAJOR DIMMERS



FITS UNDER
TRUSSES



OUR SLIMMEST
DOWNLIGHT



MELEC

MR Downlight

ML-MRAR10-M



Product information

With a new thermoplastic body, the AR10 takes the much-loved features from the MR10 into a smaller build. Thanks to its separate driver the AR10's slim depth of only 24mm fits under most trusses and battens. With an extra large trim, the AR10 also covers slight mishaps when drilling downlight holes or the occasional slip of the plaster saw.



TECHNICAL INFORMATION

Total Power:	10W*
Lumen Output:	WW 957lm NW 1041lm W 1001lm
Colour Temp:	WW 3000K NW 4000K W 5700K
IP Rating:	IP40 Back IP54 Front
Efficacy:	WW 100lm/w NW 112lm/w W 105lm/w
CRI:	80
Beam Angle:	100°
Dimmable:	Yes (Triac)
Power Supply:	AC220 - 240V Off - board driver
Average Life:	50,000 hrs**
Operating Current :	0 . 04A
Double Insulated	Yes
Power Factor	≥0 . 9
Dimensions: Base:	Diameter: 122mm Height: 27mm Depth: 24mm*** Cut out: 90mm
Warranty:	5 Years

*Total power consumed including driver

** Average life is calculated on expected average lifespan

*** Total depth measured from front of mounting surface to top of fitting

PLEASE NOTE

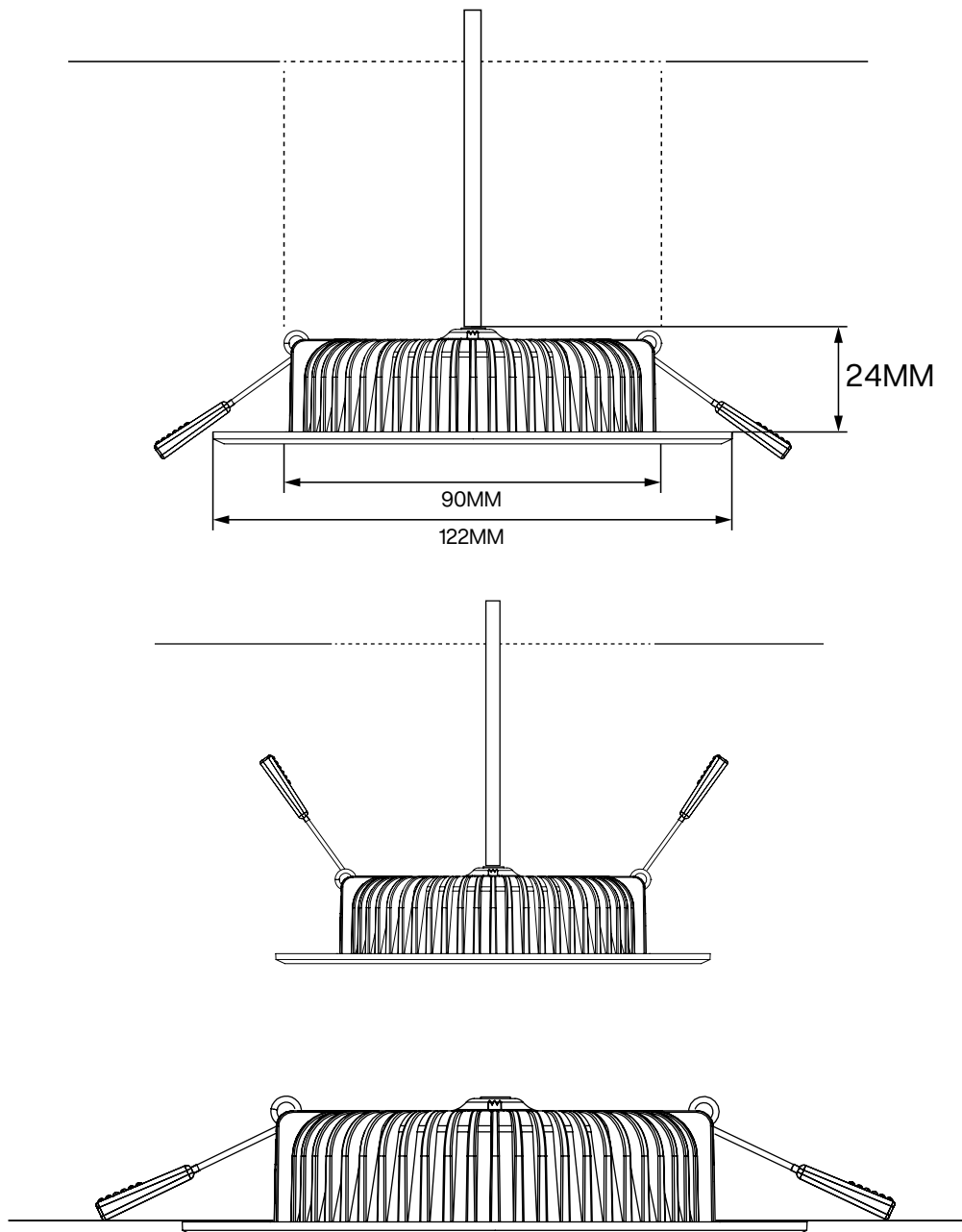
MUST BE INSTALLED BY A LICENSED ELECTRICIAN

- Read instructions carefully before attempting to install the fitting. Retain this guide for future reference
- Disconnect power before installing or servicing
- All components must not be mechanically stressed
- Follow all relevant electrical and safety standards (including AS3000)
- Damage by corrosion will not be honoured as a material defect claim. It is the user's responsibility to provide suitable protection against corrosive agents such as moisture, condensation and other harmful elements
- Insulation distance: Building insulation and building elements may abut the luminaire on the sides and/or the top.
- The light source of this luminaire is not replaceable - the whole luminaire should be replaced.
- The flexible cord that is damaged can only be replaced by the manufacturer, its service agent, or a similarly qualified person.

INSTALLATION GUIDE

1. Before commencing installation or maintenance, ensure electricity is switched off at the mains
2. Remove existing downlight and disconnect old transformer OR for new installations mark and cut out $\varnothing 90\text{mm}$ hole in ceiling
3. Set the desired colour output with the "selector switch" on the back of the downlight head (see picture beside)
4. Plug unit into a suitable surface socket OR connect the rapid connector onto the cable
5. Carefully bend spring clips upwards and install new LED downlight

3K 4K 5.7K



FREE
ONSITE WARRANTY

EXCLUSIVE TO
MEMBERS ONLY



FREE ONSITE WARRANTY FOR 3 YEARS
INCLUDES PARTS & LABOUR

In conjunction with your standard product warranty