

Additional bezel accessories
available to order

MR

BUNX

Weather Protected Bunker

BUNX Weather Protected Bunker

Bunker lights that are easy to install and last the test of time! The BUNX offers an easy-to-use base with multiple entry points for both conduit and cable, easy to fit off terminal, plastic spin clips for PCB installation and covers that allow for adjustment when you are slightly out of level. With 3 colour outputs, the BUNX is a fantastic bunker for outdoor installations.

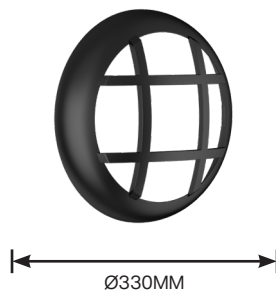


TECHNICAL INFORMATION

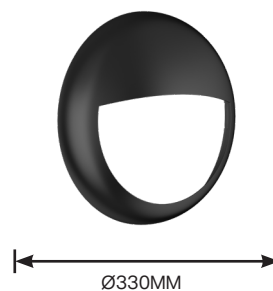
	ML-MRBX-R-16-M
Total Power	16W*
Lumen Output:	(WITHOUT RING) WW 1550LM NW 1680LM W 1680LM
Colour Temp:	3000K (WW) 4000K (NW) 6000K (W)
IP Rating:	IP65
IK Rating:	IK10
CRI:	80
Efficacy:	(WITHOUT RING) WW 95LM/W NW 105LM/W W 105LM/W
Beam Angle:	120 degrees
Input Current	0.095A
Inrush Current	9.28A@36uS
Dimmable:	No
Power Supply:	Intergrated driver
Power Factor	>0.9
Frequency	50/60Hz
Average Life:	50,000hrs**
Dimensions : Base :	Ø330 X 90.8MM
Weight	0.86kg
Operating Temp	-20°C to 45°C
Compliance	SAA
Connection	PA16 Terminal block
LED Chip Brand	SMD2835
Materials:	Polycarbonate body , diffuser and trim
Warranty :	5 YEARS

ADDITINAL BEZEL ACCESSORIES

ML-MRBX-R-GRILL



ML-MRBX-R-EYELID

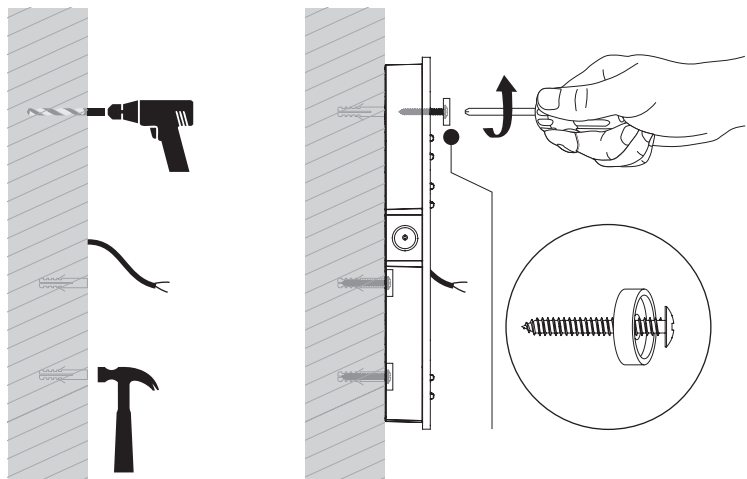
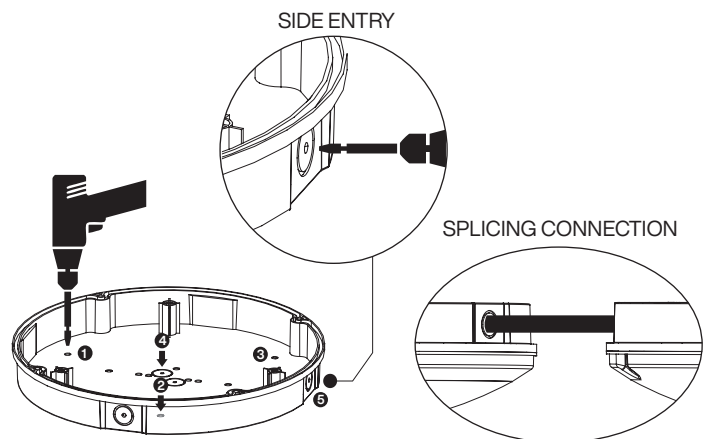
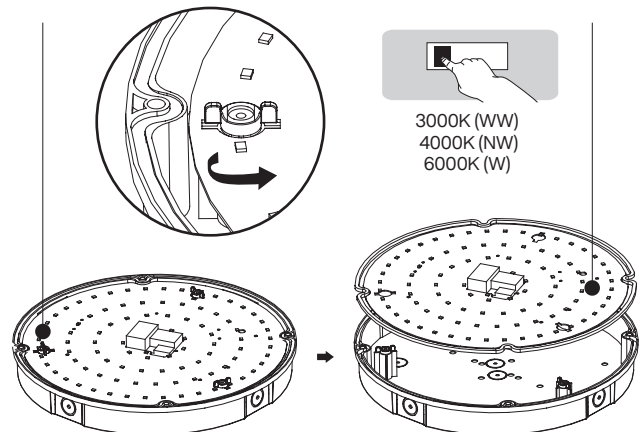
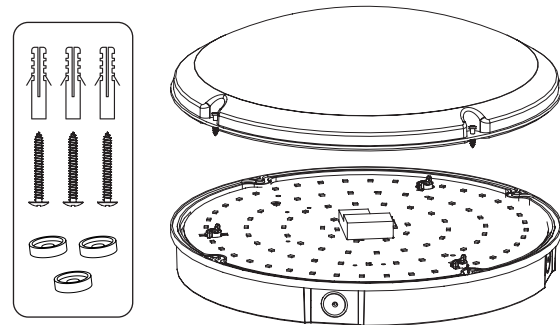


*Total power consumed including driver
** Average life is calculated on expected average lifespan

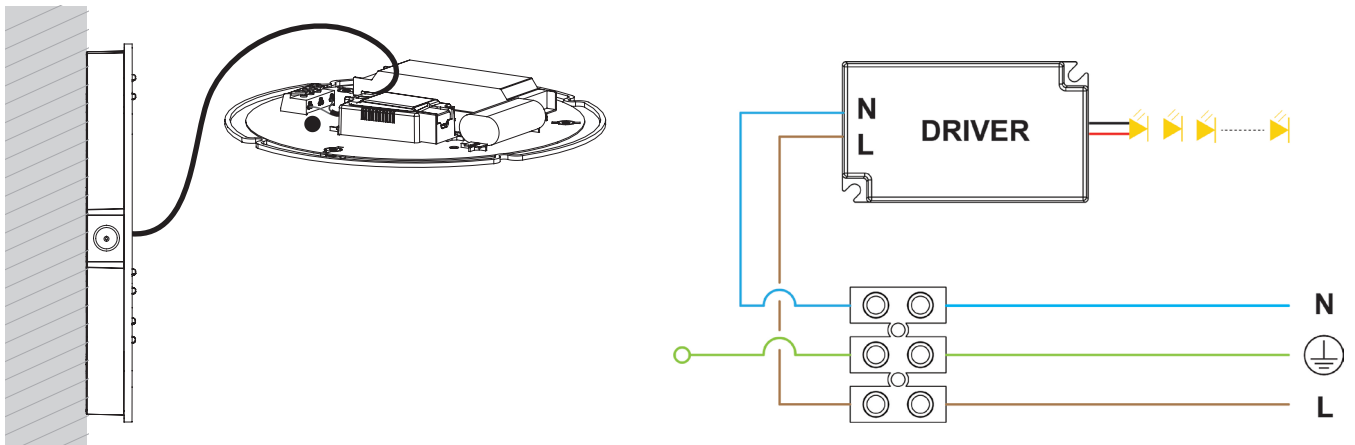
Data subject to change, please visit our website for upto date specifications:
melec.com.au

INSTALLATION GUIDE

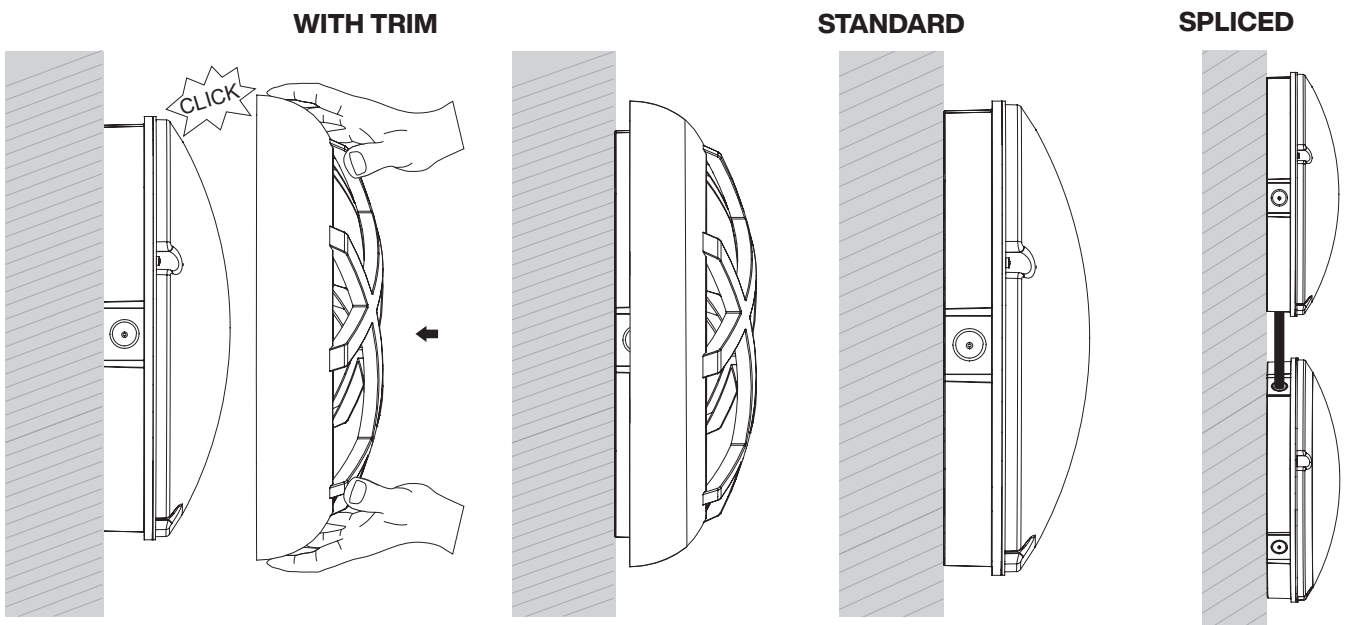
1. Ensure all power is off before beginning installation.
2. Remove the cover by disassembling the screws securing the diffuser.
3. Locate the twist locks and rotate to remove the LED board and access the base.
4. Place the base against the wall/ceiling and fix securely using suitable screws/fixing methods. If you are running conduit to the base or splicing, remove the knockouts on the sides of the base with a drill.
5. Wire up the PA16 terminal block according to the L/E/N marks.
6. Select correct output colour on the colour selection switch.
7. Seal any holes to maintain ingress protection.
8. Reinstall the LED board back onto the base and secure in place with the twist locks.
9. Reinstall the diffuser by placing it onto the base and securing it with its screws, ensuring that the gasket is properly mated with the diffuser.
10. If using a trim, press it onto the front face of the BUNX ensuring an audible 'click' is heard to signify proper assembly.
11. Test the safety and operation in accordance with all standards.



WIRING DIAGRAM



COMPLETED INSTALLATION



PLEASE NOTE

MUST BE INSTALLED BY A LICENSED ELECTRICIAN

- Read instructions carefully before attempting to install the fitting. Retain this guide for future reference
- Disconnect power before installing or servicing
- This fitting is for outdoor use and should not be used in areas with limited ventilation or high ambient temperatures
- Do not extend low voltage cables from the output of power supply
- All components must not be mechanically stressed
- Be careful not to damage or destroy conductive paths on the circuit board
- Follow all relevant electrical and safety standards (including AS3000)
- Correct electrical polarity must be observed as the wrong polarity may destroy the product and is not covered under warranty
- Damage by corrosion will not be honoured as a material defect claim. It is the user's responsibility to provide suitable protection against corrosive agents such as moisture, condensation and other harmful elements

FREE
ONSITE WARRANTY

EXCLUSIVE TO
MEMBERS ONLY



FREE ONSITE WARRANTY FOR 3 YEARS
INCLUDES PARTS & LABOUR

In conjunction with your standard product warranty