

VALIO™

24V POWER SUPPLIES

Installation Instructions

BY **M-ELEC**

INSTALLATION INSTRUCTIONS

- *DO NOT USE 12V LED STRIP WITH 24V POWER SUPPLY
- *DO NOT USE 24V LED STRIP WITH 12V POWER SUPPLY

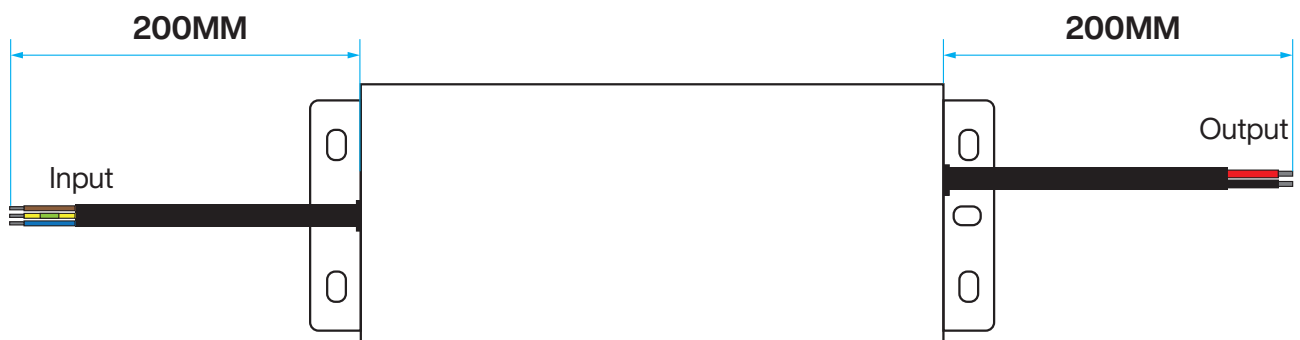
CONSTANT CURRENT INSTALLATION SPECIFICATIONS



ML-VLPS-C30/60/100/150

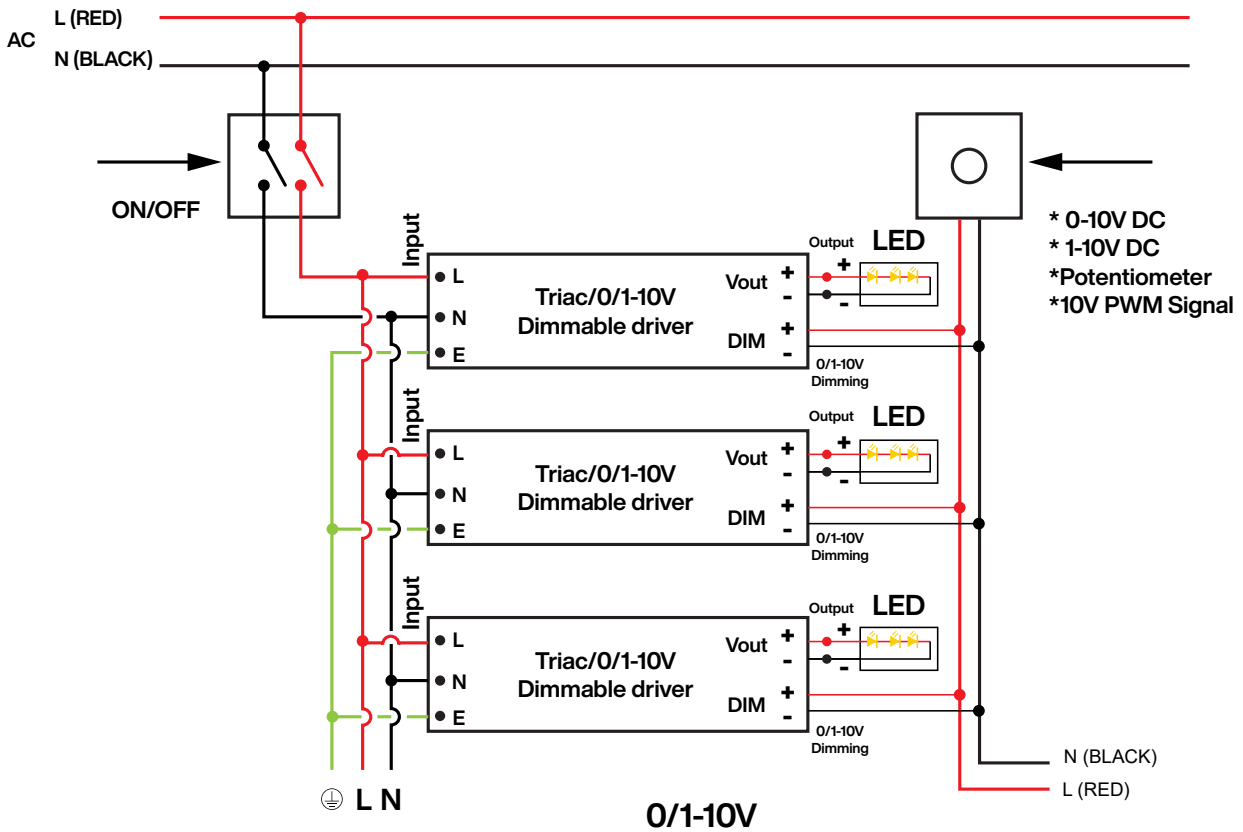
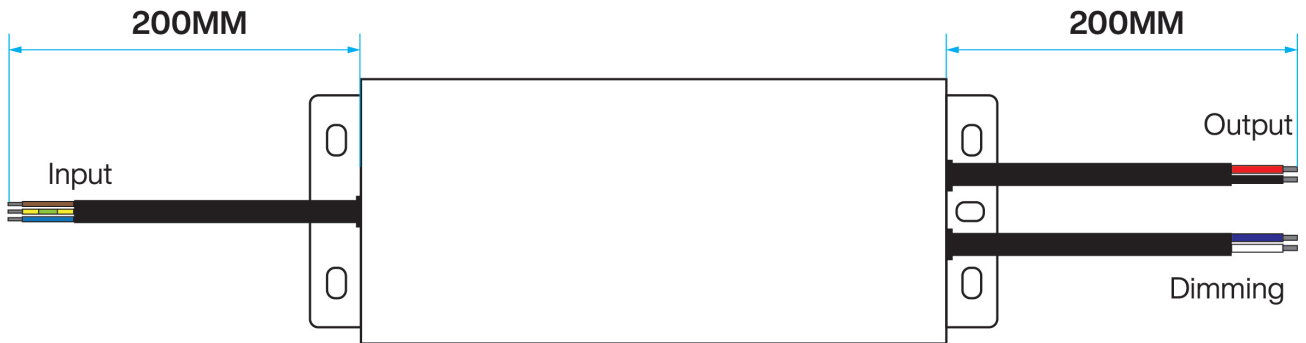


ML-VLPS-C200/300/360



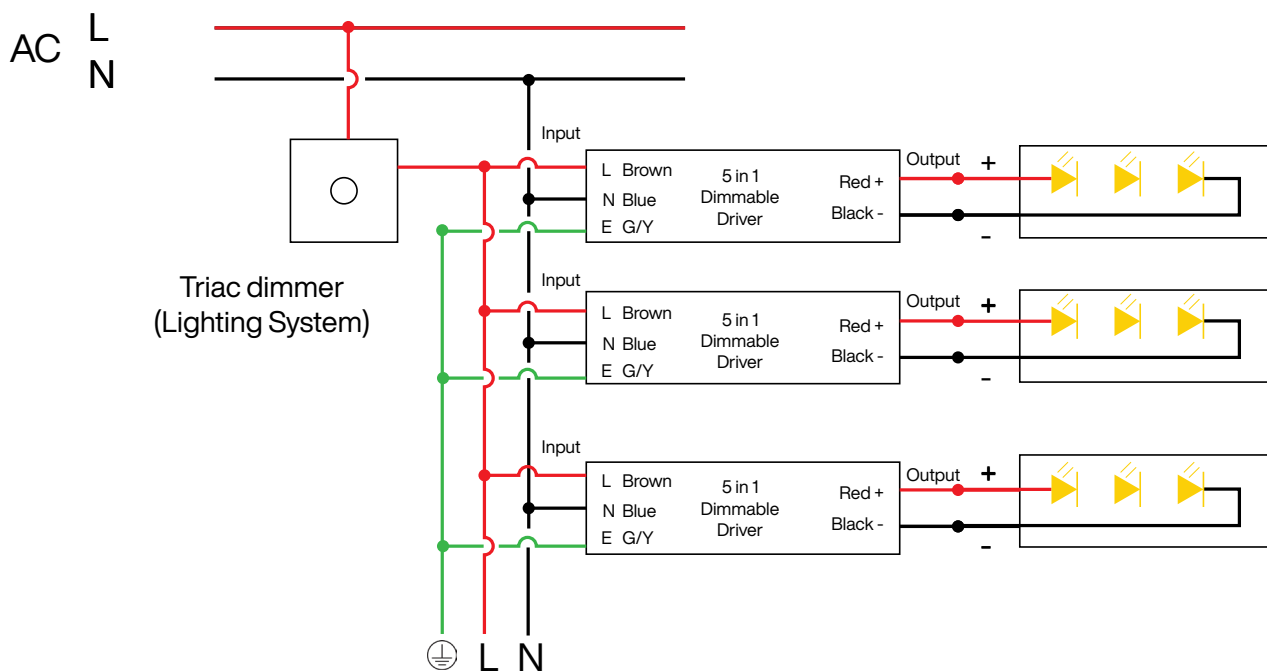
INSTALLATION INSTRUCTIONS

0/1-10V DIMMABLE WIRING DIAGRAM



INSTALLATION INSTRUCTIONS

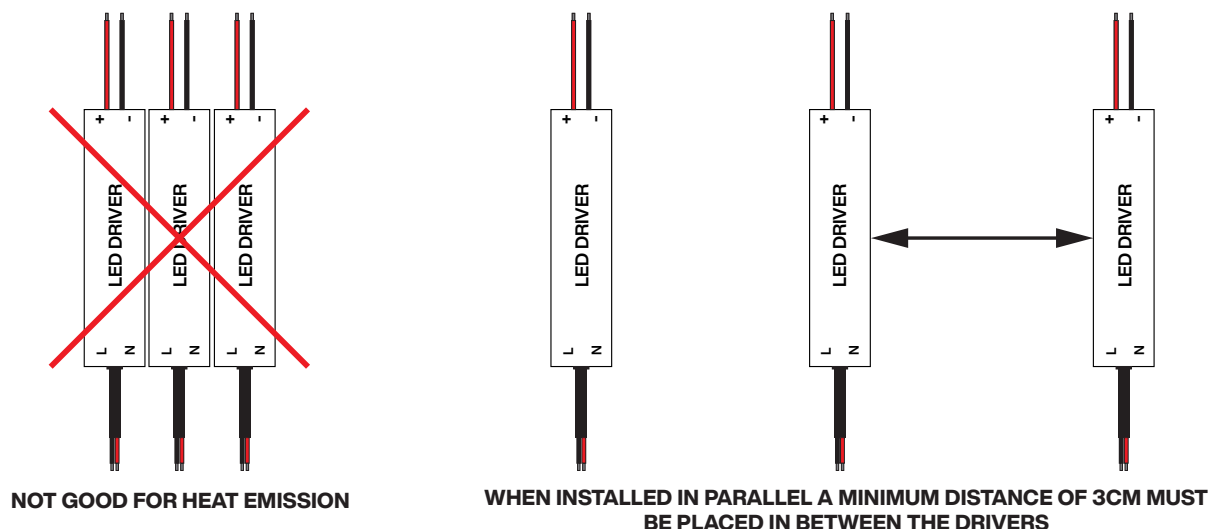
TRIAC DIMMABLE WIRING DIAGRAM



1. The Pulse-Width Modulation (PWM) of output voltage can be adjusted through the input terminal of the AC phase line(L) by connection a phase /Triac dimmer to the lighting system.
2. Works with leading edge and trailing edge TRIAC dimmers.
3. Please try to use dimmers with a power rating of at least 1.5 times as the output power of the driver.

CLEARANCE SPECIFICATIONS

- These power supplies require a minimum clearance of 25mm from all combustibile materials to pass Australian standards.
- M-Elec Pty Ltd requires a minimum of 100mm clearance from any heat insulation in order to prevent the fittings and drivers from overheating.
- If these regulations are not followed correctly, the warranty will be void and all resulting issues are wholly the responsibility of the electrician.



FREE
ONSITE WARRANTY

EXCLUSIVE TO
MEMBERS ONLY



FREE ONSITE WARRANTY FOR 3 YEARS
INCLUDES PARTS & LABOUR

In conjunction with your standard product warranty



Version 1