

MR Downlight

ML-MRA-8-MULTI



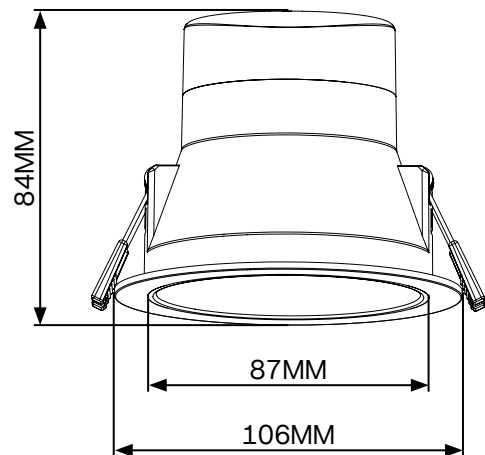
Product information

The MRA-8 is the solution for a low glare, deep recess, driver on board downlight. Available in both white and black, with a clean narrow trim ring, these downlights offer a premium style element. A 60° beam angle provides a sharp focus and 3CCT is standard.



TECHNICAL INFORMATION

Total Power:	8W
Lumen Output:	500-680lm
Colour Temp:	WW 3000K NW 4000K W 5700K
IP Rating:	IP40 Back IP54 Front
Efficacy:	WW 65lm/w NW 75lm/w W 65lm/w
CRI:	80
Beam Angle:	60°
Dimmable:	Triac dimmable
Power Supply:	AC220 - 240V
Average Life:	50,000hrs
Standby Current Draw :	0.05A @240VAC
Double Insulated	YES
Power Factor	0.9
Dimensions:	Diameter: 106mm Depth: 84mm*** Cut out: 90mm
Warranty:	5 Years



*Total power consumed including driver

** Average life is calculated on expected average lifespan

*** Total depth measured from front of mounting surface to top of heat sink

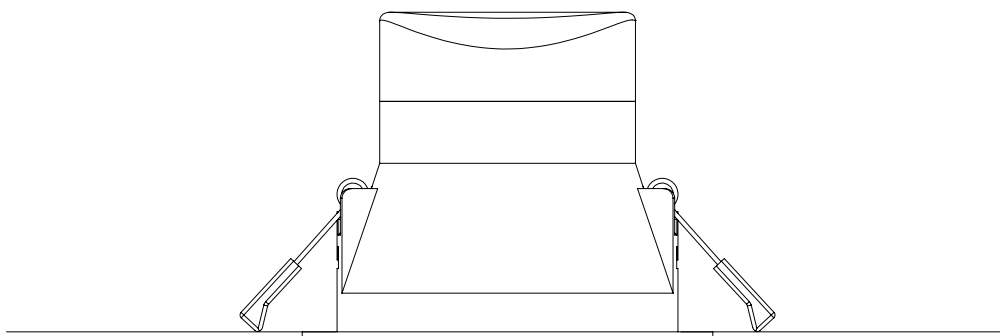
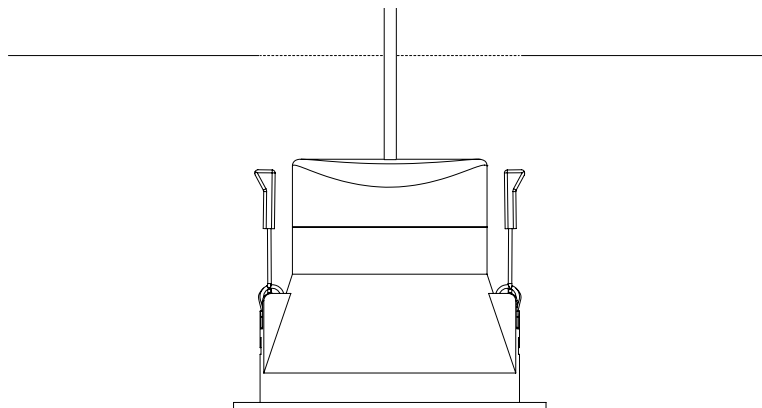
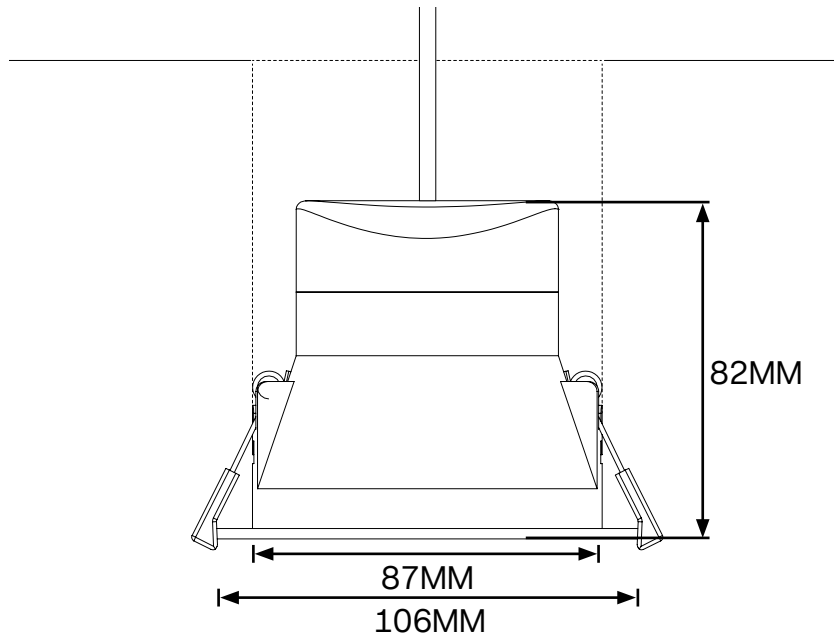
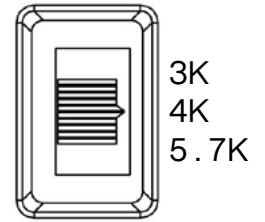
PLEASE NOTE

MUST BE INSTALLED BY A LICENSED ELECTRICIAN

- Read instructions carefully before attempting to install the fitting. Retain this guide for future reference
- Disconnect power before installing or servicing
- All components must not be mechanically stressed
- Follow all relevant electrical and safety standards (including AS3000)
- Damage by corrosion will not be honoured as a material defect claim. It is the user's responsibility to provide suitable protection against corrosive agents such as moisture, condensation and other harmful elements
- Insulation distance: Building insulation and building elements may abut the luminaire on the sides and/or the top.
- The light source of this luminaire is not replaceable - the whole luminaire should be replaced.
- The flexible cord that is damaged can only be replaced by the manufacturer, its service agent, or a similarly qualified person.

INSTALLATION GUIDE

1. Before commencing installation or maintenance, ensure electricity is switched off at the mains
2. Remove existing downlight and disconnect old transformer OR for new installations mark and cut out 90 mm hole in ceiling
3. Set the desired colour output with the "selector switch" on the back of the downlight head (see picture beside)
4. Plug unit into a suitable surface socket OR connect the rapid connector onto the cable
5. Carefully bend spring clips upwards and install new LED downlight



FREE
ONSITE WARRANTY

EXCLUSIVE TO
MEMBERS ONLY



FREE ONSITE WARRANTY FOR 3 YEARS
INCLUDES PARTS & LABOUR

In conjunction with your standard product warranty