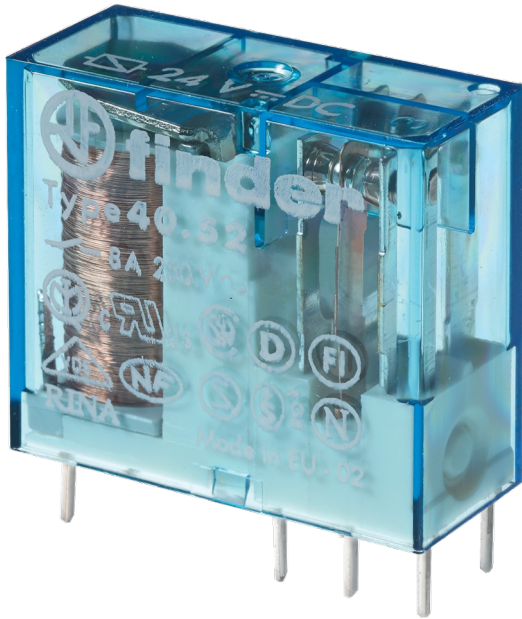


Catalogue No: 40.52 24 V DC

MINIATURE PCB RELAY 8A 2CO 24V DC COIL

Timers and Control Relays > General Purpose Relays > Electromechanical Relays > Finder Electromechanical Relays > PCB and Miniature Relays > 40/44 Series Miniature PCB Relays



Representative Photo Only
(actual product may vary based on configuration selections)

Miniature PCB Relay 8A 2 C/O 24V DC Coil

- Complete range from PCB to power relays to cover all of your switching requirements
- International certifications and approvals including CE, CSA, EAC, PCT, RINA, VDE and RoHS, providing quality assurance of a market leading product
- Compact construction allowing for most efficient use of your space

SPECIFICATIONS

Product Series	40
Component Type Timers and Control relays	Relay
Contact Configuration	2 CO
In, Rated Current	8 A
Icw, Short Time Withstand Current, 10ms (rms)	15 A, 10ms
Un, Nominal Operational Voltage, AC	250 V AC
Ue, Rated Operational Voltage, AC, max	400 V AC
Contact Breaking Capacity, DC1, 30V	8 A
Contact Breaking Capacity, DC1, 110V	0.3 A
Contact Breaking Capacity, DC1, 220V	0.12 A
Rated Load, AC-1	2000 VA
Rated Load, AC-15	750 VA
Contact Rated Power, Single Phase Motor, 230V AC	400 kW
Coil Type	DC
Coil Voltage, DC, Nom	24 V DC
Coil Voltage, DC, Min	17.5 V DC
Coil Voltage, DC, Max	36 V DC
Material, Contacts	Silver Nickel (AgNi) material
Mechanical Service Life	10000000 cycles
Electrical Service Life at Un, In	100000 cycles
Total Making Time	7 ms
Total Breaking Time	3 ms
Insulation Voltage, between Coil & Contacts	6000 V
Dielectric Strength, between open Contacts	1000 V AC
Mounting	PCB Mount
Operating Temperature, Min	-45 °C min
Operating Temperature, Max	85 °C max
Height	25 mm

Catalogue No: 40.52 24 V DC

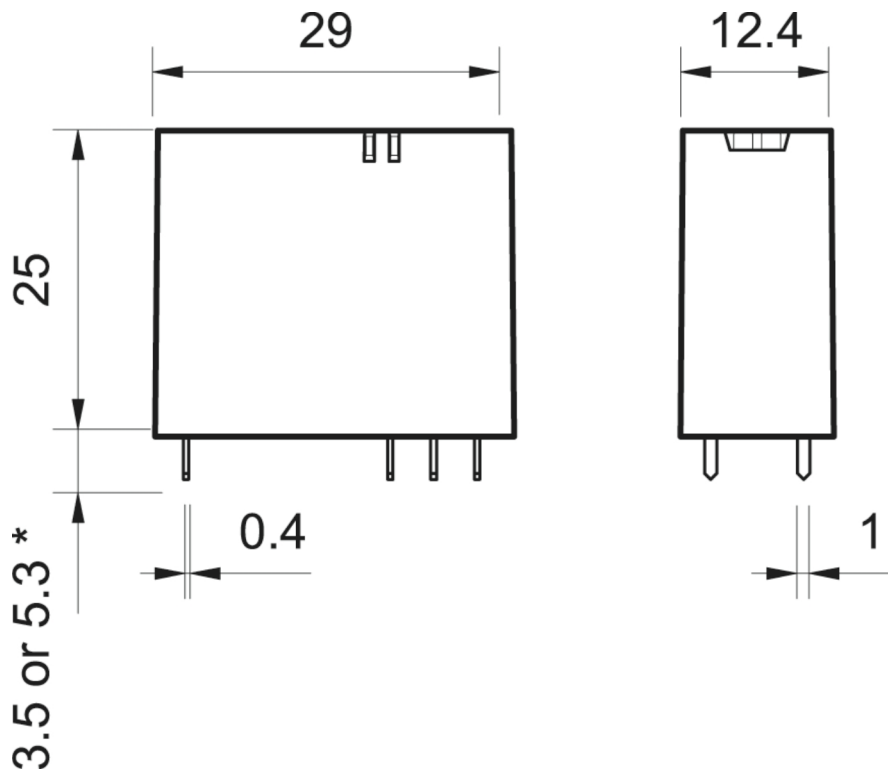
MINIATURE PCB RELAY 8A 2CO 24V DC COIL

Timers and Control Relays > General Purpose Relays > Electromechanical Relays > Finder Electromechanical Relays > PCB and Miniature Relays > 40/44 Series Miniature PCB Relays



Width	29 mm
Depth	12.4 mm
Shock Acceleration (Max.)	20 g
Shock Duration (Max.)	5 ms
Vibration Acceleration (Max.)	25 m/s ²
Certifications	CCC CSA EAC GOST-R IMQ VDE C-UR-US
Shipping Approvals	Lloyd's Register of Shipping RINA (Registro Italiano Navale)

REFERENCES	
IECEX Certificate	-
Supplier Declaration of Conformity:	-
Installation Guide:	-
User Manual:	-
Manufacturer Datasheet:	-
Manufacturer Catalogue & Product Selection:	-

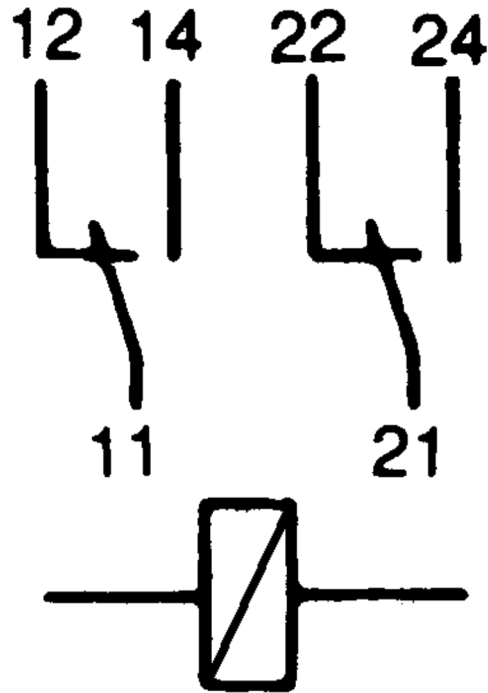


Dimension Diagram

Catalogue No: **40.52 24 V DC**

MINIATURE PCB RELAY 8A 2CO 24V DC COIL

Timers and Control Relays > General Purpose Relays > Electromechanical Relays > Finder Electromechanical Relays > PCB and Miniature Relays > 40/44 Series Miniature PCB Relays



Connection / Wiring Diagram