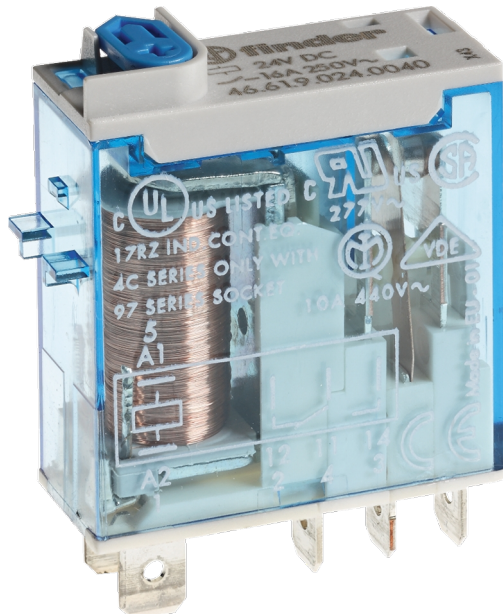


Catalogue No: **46.61.0074 24 V DC**

MINIATURE INDUSTRIAL RELAY 16A 1CO 24VDC COIL W/PB+LED+MI

Timers and Control Relays > General Purpose Relays > Electromechanical Relays > Finder Electromechanical Relays > PCB and Miniature Relays > 46 Series Miniature Industrial Relays



Representative Photo Only
(actual product may vary based on configuration selections)

Miniature Industrial Relay 16A 1 C/O 24V DC Coil w/Pb+Led+Mi

- Complete range from PCB to power relays to cover all of your switching requirements
- International certifications and approvals including CE, CSA, EAC, PCT, RINA, VDE and RoHS, providing quality assurance of a market leading product
- Compact construction allowing for most efficient use of your space

SPECIFICATIONS

| | |
|--|-------------------------------|
| Product Series | 46 |
| Component Type Timers and Control relays | Relay |
| Contact Configuration | 1 CO |
| In, Rated Current | 16 A |
| Icw, Short Time Withstand Current, 10ms (rms) | 25 A, 10ms |
| Un, Nominal Operational Voltage, AC | 250 V AC |
| Ue, Rated Operational Voltage, AC, max | 440 V AC |
| Contact Breaking Capacity, DC1, 30V | 12 A |
| Contact Breaking Capacity, DC1, 110V | 0.5 A |
| Contact Breaking Capacity, DC1, 220V | 0.15 A |
| Rated Load, AC-1 | 4000 VA |
| Rated Load, AC-15 | 750 VA |
| Contact Rated Power, Single Phase Motor, 230V AC | 0.55 kW |
| Coil Type | DC |
| Coil Voltage, DC, Nom | 24 V DC |
| Coil Voltage, DC, Min | 17.5 V DC |
| Coil Voltage, DC, Max | 26.4 V DC |
| Material, Contacts | Silver Nickel (AgNi) material |
| Mechanical Service Life | 10000000 cycles |
| Electrical Service Life at Un, In | 100000 cycles |
| Total Making Time | 15 ms |
| Total Breaking Time | 5 ms |
| Insulation Voltage, between Coil & Contacts | 6000 V |
| Dielectric Strength, between open Contacts | 1000 V AC |
| Mounting | Plug-in |
| Operating Temperature, Min | -40 °C min |
| Operating Temperature, Max | 70 °C max |
| Height | 32.8 mm |

Catalogue No: **46.61.0074 24 V DC**

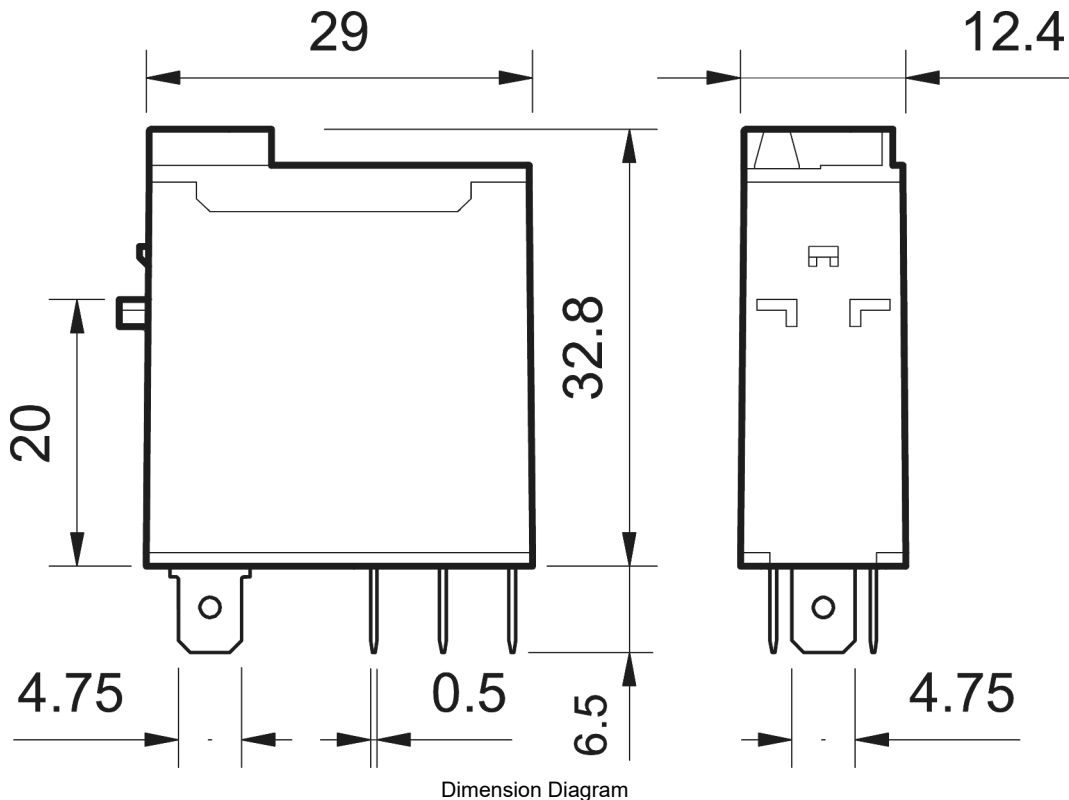
MINIATURE INDUSTRIAL RELAY 16A 1CO 24VDC COIL W/PB+LED+MI

Timers and Control Relays > General Purpose Relays > Electromechanical Relays > Finder Electromechanical Relays > PCB and Miniature Relays > 46 Series Miniature Industrial Relays



| | |
|---|---|
| Width | 29 mm |
| Depth | 12.4 mm |
| Shock Acceleration (Max.) | 20 g |
| Shock Duration (Max.) | 4 ms |
| Vibration Acceleration (Max.) | 20 m/s ² |
| Vibration Frequency, Operational (Max.) | 150 Hz |
| Certifications | CE CCC CSA EAC GOST-R IMQ C-UR-US VDE |
| Shipping Approvals | Lloyd's Register of Shipping RINA (Registro Italiano Navale) |

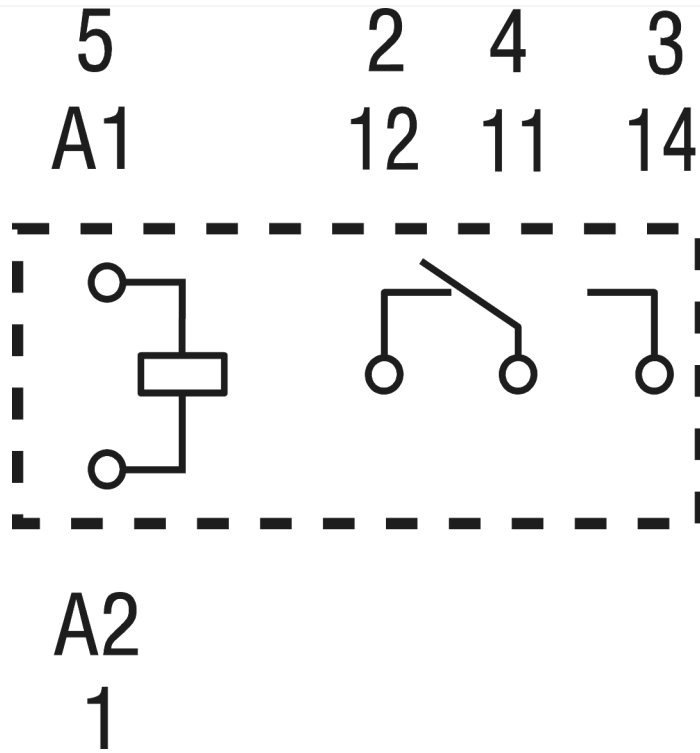
| REFERENCES | |
|---|---|
| IECEX Certificate | - |
| Supplier Declaration of Conformity: | - |
| Installation Guide: | - |
| User Manual: | - |
| Manufacturer Datasheet: | - |
| Manufacturer Catalogue & Product Selection: | - |



Catalogue No: **46.61.0074 24 V DC**

MINIATURE INDUSTRIAL RELAY 16A 1CO 24VDC COIL W/PB+LED+MI

Timers and Control Relays > General Purpose Relays > Electromechanical Relays > Finder Electromechanical Relays > PCB and Miniature Relays > 46 Series Miniature Industrial Relays



Connection / Wiring Diagram