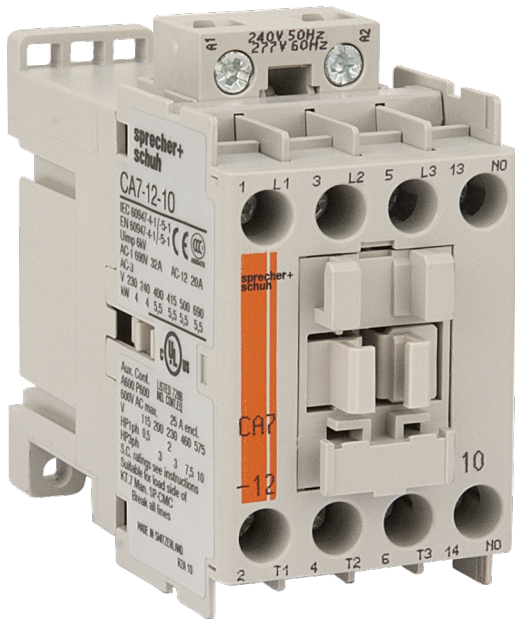


Catalogue No: **CA7-12-10-240VAC**  
**CONTACTOR 5.5kW 3P 240V AC COIL 1NO AUXILIARY**

Motor Control and Drives > Motor Starting and Protection > Contactors > Sprecher + Schuh Contactors > CA7  
 Contactors 4 to 55kW > 3 Pole Contactors with AC Coil



Contactor 3 pole 12A 5.5kW 1N/O Auxiliary 240V AC Coil

- Several contactor families provide a wide variety of contactor sizes, offering economy and selection
- Compact dimensions saves panel space

Representative Photo Only  
 (actual product may vary based on configuration selections)

**SPECIFICATIONS**

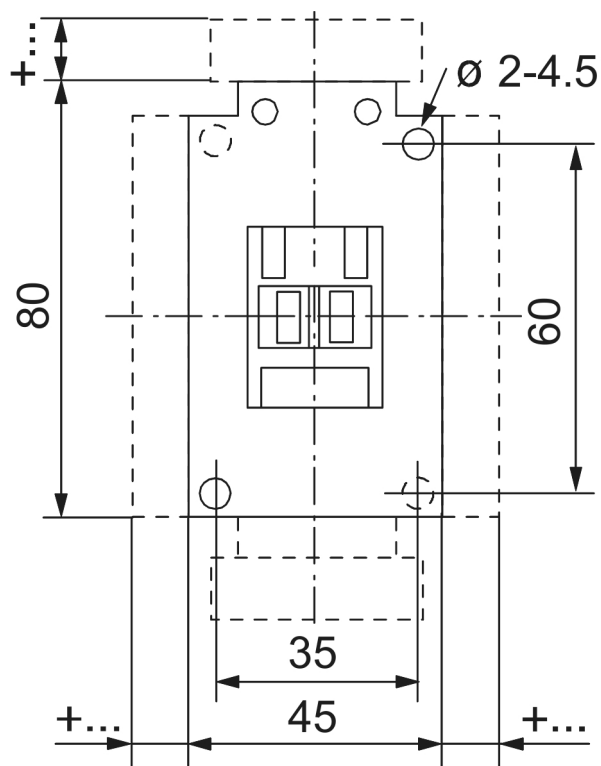
Product Series	CA7-12
Component Type Motor Control and Drives	Standard Contactor
Ie, Rated Operational Current, AC-1, 415V, 40°C	32 A@415V,40°C
kW Rating, AC-3, 415V, 60°C	5.5 kW @415V, 60°C
Ie, Rated Operational Current, AC-3, 415V, 60°C	12 A@415V,60°C
kW Rating, AC-3, 690V, 60°C	5.5 kW @690V, 60°C
Ie, Rated Operational Current, AC-3, 690V, 60°C	7 A@690V,60°C
Number of Poles	3
Contact Configuration, Main Poles	3 NO main poles
Contact Configuration, Auxiliary	1 NO auxiliary
Coil Type	Conventional type
Coil Consumption Hold-in VA AC coiled contactors	2.7 VA 9.5
Coil Consumption Pickup VA AC coiled contactors	75 VA
Integrated Aux	1 N/O
Coil Voltage	240 V AC V
Un, Coil Voltage, AC @50Hz, Nom	240 V AC nom @50Hz
Un, Coil Voltage, AC @50Hz, Min	204 V AC min @50Hz
Un, Coil Voltage, AC @50Hz, Max	264 V AC max @50Hz
Un, Coil Voltage, AC @60Hz, Nom	277 V AC nom @60Hz
Un, Coil Voltage, AC @60Hz, Min	235 V AC min @60Hz
Un, Coil Voltage, AC @60Hz, Max	304 V AC max @60Hz
Tightening Torque, Power Terminals, max	2 Nm max
IP Rating	IP20

Catalogue No: **CA7-12-10-240VAC**  
**CONTACTOR 5.5kW 3P 240V AC COIL 1NO AUXILIARY**

Motor Control and Drives > Motor Starting and Protection > Contactors > Sprecher + Schuh Contactors > CA7  
Contactors 4 to 55kW > 3 Pole Contactors with AC Coil



REFERENCES	
IECEX Certificate	-
Supplier Declaration of Conformity:	-
Installation Guide:	-
User Manual:	-
Manufacturer Datasheet:	-
Manufacturer Catalogue & Product Selection:	-



Dimension Diagram

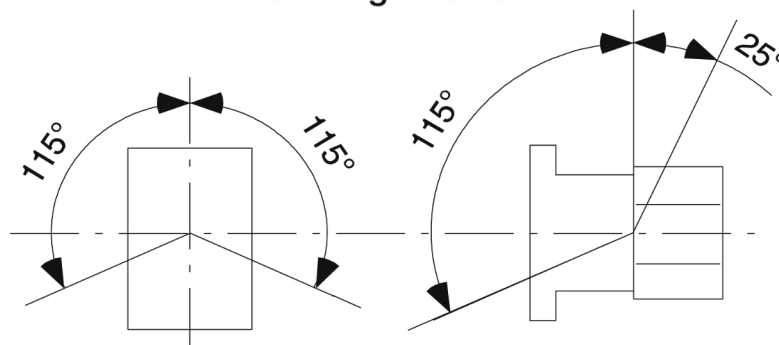
Catalogue No: **CA7-12-10-240VAC**

**CONTACTOR 5.5kW 3P 240V AC COIL 1NO AUXILIARY**

Motor Control and Drives > Motor Starting and Protection > Contactors > Sprecher + Schuh Contactors > CA7  
Contactors 4 to 55kW > 3 Pole Contactors with AC Coil



### Mounting Position



Technical Diagram