

# Catalogue No: **D7M-KM21MX10**

## KEY SELECTOR SW 22.5mm METAL 2 POSITION KR L 3825 1NO

Operator Control Devices > Pushbuttons and Control Switches > Pushbuttons and Pilot Lights > Sprecher + Schuh D7 Pushbuttons and Pilot Lights > D7 Selector and Key Selector Switches > Selector Switches Complete



### Rotary Key switch metal 2 position 1-N/O



Representative Photo Only  
(actual product may vary based on configuration selections)

- D7 pilot devices offer maximum flexibility and a wide choice for all 22.5mm operator applications with all type (e-stops, selector switches, pushbuttons, pilot lights and more), colour and contact configurations.
- Aesthetically appealing and modularly designed to make assembly and interchangeability easy.
- Operators exhibit low profile and stylish appearance while maintaining the rugged performance necessary for demanding environments
- D7P is a plastic operator with a captive black plastic front bezel. Constructed of high grade thermoplastics, the D7P operators provide strong chemical resistance making them suitable for use in different environments
- D7M has a die-cast zinc housing and mounting ring for rugged durability. Finished with corrosion resistant chrome plating, the D7M also features a captive shiny metal bezel for a polished appearance.

#### SPECIFICATIONS

Product Series	D7M
Component Type Pushbutton and Pilot Lights	Selector Switch
Operator Type	Selector Switch, Key, 2-Position type
Number of Positions	2
Operator Positions (from Vertical)	30° -30°
Key	Yes Y / N
Key Removal Position(s)	Left
Key Code	3825 (standard)
Operator Action, Left	Latched / Maintained
Operator Action, Right	Latched / Maintained
Colour, Operator	Black colour
Material, Operator	Zinc Alloy, Die-Cast, Chrome-Plated material
Colour, Operator Insert	White
Material, Bezel	Zinc
Coupling Plate Included	Yes Y / N
Material, Latches	Chromated Zinc & Stainless Steel
Mounting	22.5mm Mounting
Contact Block Included	Yes
Contact Configuration	1 NO
Ie, Rated Operational Current, AC-1, 240V	10 A@240V
Ie, Rated Operational Current, AC-15, 110-120V	6 A@110-120V
Ie, Rated Operational Current, AC-15, 240V	3 A@240V
Ie, Rated Operational Current, AC-15, 415V	2.2 A@415V
Ui, Rated Insulation Voltage	690 V (rms)
Compatible Product Series	D7 22.5mm Control & Indication compatible
Material, Contacts	Silver Nickel (AgNi) material
Terminal Type	Screw Terminal(s)

# Catalogue No: **D7M-KM21MX10**

## KEY SELECTOR SW 22.5mm METAL 2 POSITION KR L 3825 1N0

Operator Control Devices > Pushbuttons and Control Switches > Pushbuttons and Pilot Lights > Sprecher + Schuh D7 Pushbuttons and Pilot Lights > D7 Selector and Key Selector Switches > Selector Switches Complete



Material, Terminal	Brass
Tightening Torque, Min	0.7 Nm
Tightening Torque, Max	0.9 Nm
Material, Spring	Zinc-Plated Stainless Steel
Ith, Thermal Current, Open	10 A
Wire / Conductor Size (Min)	0.75 mm <sup>2</sup> min
Wire / Conductor Size (Max)	2.5 mm <sup>2</sup>
Dielectric Strength	2.5kV for 1 minute V AC
Recommended Fuse Current Rating	10 A
Fuse Characteristic Type(s)	gL/gG
Tightening Torque, Nominal	4.4 Nm
Mechanical Service Life	300000 cycles
RoHS Approved	Yes
CE Marked	Yes
Operating Temperature, Max	70 °C max
Operating Temperature, Min	-25 °C min
Storage Temperature, Max	85 °C max
Storage Temperature, Min	-40 °C min
Relative Humidity, Min	50 %RH
Relative Humidity, Max	95 %RH
IP Rating	IP65 IP66
Shock Acceleration (Max.)	100 g
Shock Duration (Max.)	11 ms
Vibration Acceleration (Max.)	10 m/s <sup>2</sup>
Vibration Displacement (Peak to Peak Max.)	1.52 mm
Vibration Frequency, Operational (Max.)	2000 Hz
Vibration Duration (Max.)	180 min
Standards Compliance	NEMA ICS-5 UL 508 EN 60947-1 EN 60947-5-1 EN 60947-5-5 EN 418
Certifications	UL UR CSA CCC CE
Shipping Approvals	RINA (Registro Italiano Navale) ABS (American Bureau of Shipping) Lloyd's Register of Shipping

# Catalogue No: **D7M-KM21MX10**

## KEY SELECTOR SW 22.5mm METAL 2 POSITION KR L 3825 1NO

Operator Control Devices > Pushbuttons and Control Switches > Pushbuttons and Pilot Lights > Sprecher + Schuh D7  
Pushbuttons and Pilot Lights > D7 Selector and Key Selector Switches > Selector Switches Complete



### REFERENCES

IECEX Certificate -

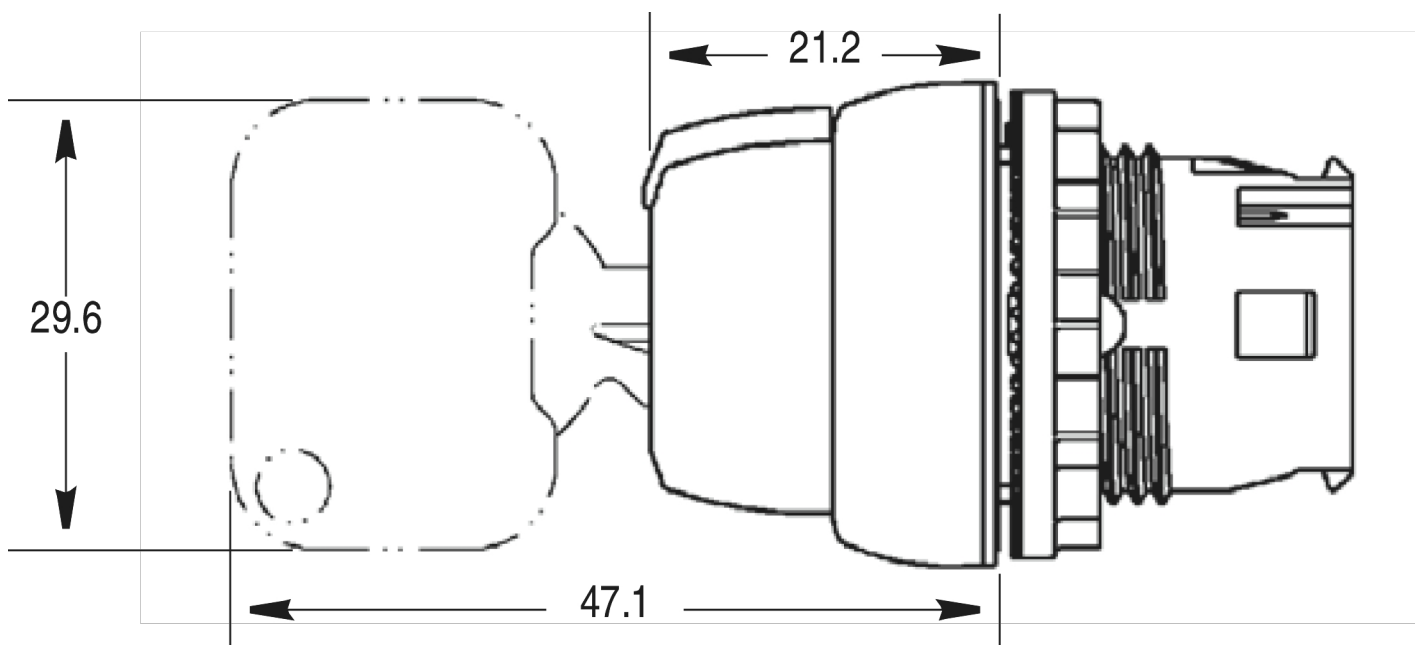
Supplier Declaration of  
Conformity: -

Installation Guide: -

User Manual: -

Manufacturer Datasheet: [Series D7\\_Manufacturer Datasheet](#)

Manufacturer Catalogue  
& Product Selection: -



Dimension Diagram