

Catalogue No: **MOD6RCCB4-40-30**

RCCB MOD6 3P+N 40A 30mA TYPE AC

Power Distribution and Protection > Circuit Breakers > Miniature Circuit Breakers and Earth Leakage Protection (RCDs and RCBOs) > MOD6 Residual Current Device > MOD6 RCCBs (Safety Switches) > Type AC



Representative Photo Only
(actual product may vary based on configuration selections)

MOD6 RCCB, 4P, 6kA, 30mA, 40A

- Complies with AS/NZS 61008 (RCCBs)
- MOD6 RCCBs feature 6kA conditional short circuit rating
- 1P+N and 3P+N for single or three phase loads
- Type AC or Type A RCD option
- 30mA sensitivity featured as standard simplifying the selection for personnel protection applications
- Fast connection pin/fork busbar comb or busbar chassis
- Suits pole covers and loadcentres
- Approval No NSW17482 or RCM Mark

SPECIFICATIONS

| | |
|---|--------------|
| Product Series | MOD6 |
| Component Type Power Distribution & Protection | RCD |
| RCD Type, AS/NZS 61008/61009 | AC |
| Tripping Time at $I_{\Delta n}$, Instantaneous | <40 ms |
| I_n , Rated Current at 30°C | 40 A @30°C |
| $I_{\Delta c}$, Rated Conditional Residual Short-Circuit Current | 6 kA |
| $I_{\Delta n}$, Rated Leakage Current | 30 mA |
| Poles | 3P + N |
| Neutral Pole Protected | No |
| Rated Frequency | 50 / 60 Hz |
| U_n , Nominal Operational Voltage, AC | 415 V AC |
| U_{bmin} , Service Voltage, AC, Min | 287 V AC |
| U_{bmax} , Service Voltage, AC, Max | 455 V AC |
| Selectivity Class (IEC 60898) | A |
| I_m , Rated Make/Break Capacity | 400 A |
| $I_{\Delta m}$, Rated Residual Make/Break Capacity | 400 A |
| I_{nc} , Rated Conditional Short Circuit Current | 10 kA |
| $I_{\Delta c}$, Rated Conditional Residual Short-Circuit Current | 6000 A |
| I_{cn} , Rated Short Circuit Capacity | 6 kA |
| Isolator Application, IEC 60947-2 | Yes |
| U_i , Rated Insulation Voltage | 500 V (rms) |
| U_i , Rated Insulation Voltage @ Pollution Degree 2 | 500 V |
| Insulation Resistance | 1000 MΩ |
| Dielectric Strength | 2500V V AC |
| Electrical Service Life at U_n , I_n | 10000 cycles |
| Mechanical Service Life | 20000 cycles |
| Conductor Entry Position | Top / Bottom |
| IP Rating, Inside | IP40 |



Catalogue No: **MOD6RCCB4-40-30**

RCCB MOD6 3P+N 40A 30mA TYPE AC

Power Distribution and Protection > Circuit Breakers > Miniature Circuit Breakers and Earth Leakage Protection (RCDs and RCBOs) > MOD6 Residual Current Device > MOD6 RCCBs (Safety Switches) > Type AC



| | |
|---|---|
| IP Rating, Outside | IP20 |
| Flammability Rating (UL94) | UL 94 V-2 |
| Wire / Conductor Size, Rigid Cable, Top, Max | 50 mm ² Top |
| Wire / Conductor Size, Rigid Cable, In, Min | 1.5 mm ² In |
| Wire / Conductor Size, Flex Cable, Top, Max | 35 mm ² Top |
| Wire / Conductor Size, Rigid Cable, Out, Min | 1.5 mm ² Out |
| Wire / Conductor Size, Rigid Cable, Bottom, Max | 50 mm ² Bottom |
| Wire / Conductor Size, Flex Cable, In, Min | 1.5 mm ² In |
| Wire / Conductor Size, Flex Cable, Bottom, Max | 35 mm ² Bottom |
| Wire / Conductor Size, Flex Cable, Out, Min | 1.5 mm ² Out |
| Tightening Torque, Top, Nominal | 5 Nm |
| Tightening Torque, Bottom, Nominal | 5 Nm |
| Busbar System, Top | Fork Pin |
| Busbar System, Bottom | Fork Pin |
| Trip-Free Mechanism | Yes |
| Mounting | DIN-35 Rail Mount |
| Sealable | Yes |
| Centre Trip Position | No |
| Height | 86 mm |
| Width | 72 mm |
| Depth | 76 mm |
| Weight | 0.368 kg |
| Package Quantity | 1 qty |
| Approval(s) | N17482 |
| Neutral Pole Switched | Yes |
| Operating Temperature, Min | -5 °C min |
| Operating Temperature, Max | 55 °C max |
| Storage Temperature, Min | -25 °C min |
| Storage Temperature, Max | 70 °C max |
| Relative Humidity, Max | 95 %RH |
| Shock Acceleration (Max.) | 40 g |
| Shock Duration (Max.) | 5 ms |
| Shock Rating | IEC 60077-16-3 |
| Vibration Acceleration (Max.) | 1.5 m/s ² |
| Vibration Frequency, Operational (Max.) | 80 Hz |
| Vibration Duration (Max.) | 30 min |
| Vibration Rating | IEC 60068-2-6 |
| Standards Compliance | AS/NZS 61008 AS/NZS 61008-1 AS/NZS 61009 IEC 60077-16-3 IEC 60947-2 |
| Certifications | RCM |

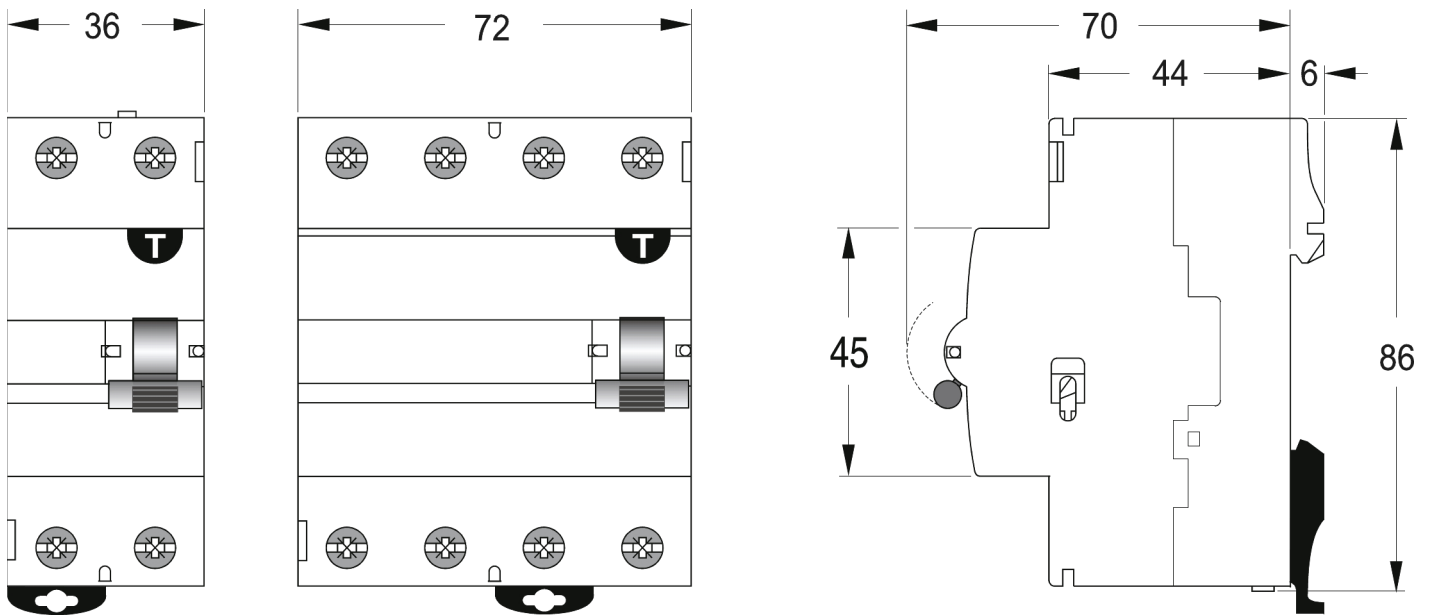
Catalogue No: **MOD6RCCB4-40-30**

RCCB MOD6 3P+N 40A 30mA TYPE AC

Power Distribution and Protection > Circuit Breakers > Miniature Circuit Breakers and Earth Leakage Protection (RCDs and RCBOs) > MOD6 Residual Current Device > MOD6 RCCBs (Safety Switches) > Type AC



| REFERENCES | |
|---|---|
| IECEX Certificate | - |
| Supplier Declaration of Conformity: | MOD6RCCBxxxxx_Supplier Declaration of Conformity (SDoC) |
| Installation Guide: | - |
| User Manual: | - |
| Manufacturer Datasheet: | - |
| Manufacturer Catalogue & Product Selection: | - |



Dimension Diagram

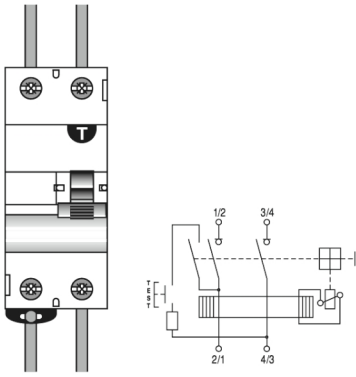
Catalogue No: **MOD6RCCB4-40-30**

RCCB MOD6 3P+N 40A 30mA TYPE AC

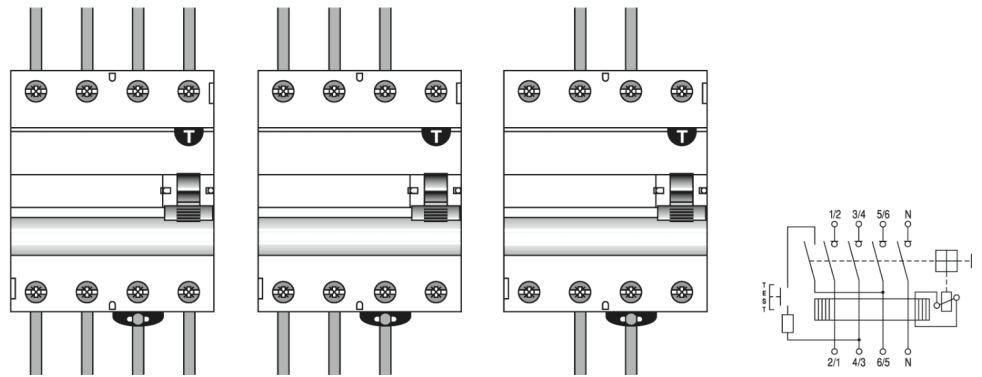
Power Distribution and Protection > Circuit Breakers > Miniature Circuit Breakers and Earth Leakage Protection (RCDs and RCBOs) > MOD6 Residual Current Device > MOD6 RCCBs (Safety Switches) > Type AC



RCCB 2 P
(127/230 V)



RCCB 4 P
4 P (240/415 V) 3 P (240/415 V) 2 P (240 V)



Connection / Wiring Diagram