

Catalogue No: **MOX80-02R**

BEACON 2J-XENON FLASH/STROBE IP65 10-72V AC/DC RED

Signalling Devices > Sight Indication > Beacons > Moflash Beacons > Xenon Beacons > MOX80 Series - Xenon Beacons



Representative Photo Only
(actual product may vary based on configuration selections)

Xenon Beacon (Strobe) 10-100V DC or 20-72V AC - Red Lens - IP67 Rated 500mm Flying Leads

- Complete visual signalling range from high efficiency static or flashing LED's to high discharge Xenon beacons to rotating parabolic reflector beacons, we have the solution suitable for your application.
- Available in a variety of frame sizes and with accessories such as protective cages and brackets to cater to your mounting requirements.
- Multiple colour varieties available including Red, Green, Amber and Blue to convey whichever message is required.

SPECIFICATIONS

Product Series	X80
Indication Mode(s)	Sight
Lamp Type	Xenon type
Illumination Mode	Flashing
Speed, Flash	65 per min
Details, Speed	or 60 FPM
Energy, Flash	2 J
Colour, Lens	Red colour
Material, Lens	PC (Polycarbonate) - UV Stabilised
Ue, Rated Operational Voltage, AC, min	20 V AC
Ue, Rated Operational Voltage, AC, max	72 V AC
Ue, Rated Operational Voltage, DC, min	10 V DC
Ue, Rated Operational Voltage, DC, max	100 V DC
Input Frequency, Nom	50 / 60 Hz
Ie, Rated Operational Current, nom	0.11 A,nom
Ie, Rated Operational Current, nom	0.11 A,nom
Details, Current	110mA
Material, Base	ABS (Acrylonitrile Butadiene Styrene) - UV Stabilised
Colour, Base	Black base
Connection / Termination	Built-in cable with flying leads
Length, Cable	0.5 m
IP Rating	IP67
Mounting (Multiple)	Mounting Plate (Included) Surface Mount
Height	50 mm
Width	76 mm
Depth	76 mm
Weight	0.13 kg

Catalogue No: **MOX80-02R**

BEACON 2J-XENON FLASH/STROBE IP65 10-72V AC/DC RED

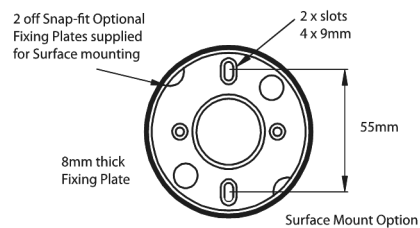
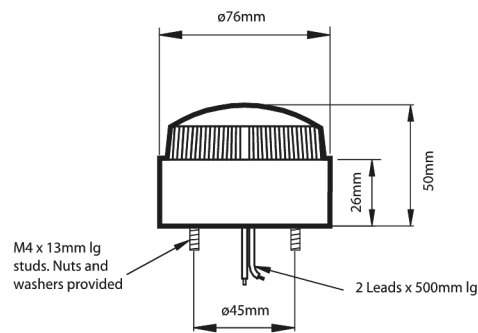
Signalling Devices > Sight Indication > Beacons > Moflash Beacons > Xenon Beacons > MOX80 Series - Xenon Beacons



Operating Temperature, Min	-20 °C min
Operating Temperature, Max	55 °C max
Certifications	CE RoHS

REFERENCES

IECEX Certificate	-
Supplier Declaration of Conformity:	-
Installation Guide:	MOX80-02R_Installation Instructions
User Manual:	-
Manufacturer Datasheet:	-
Manufacturer Catalogue & Product Selection:	MOX80-02R_Manufacturer Catalogue



Dimension Diagram