



Representative Photo Only
(actual product may vary based on configuration selections)

**Xenon Beacon (Strobe) 85-265V AC - Amber Lens - IP67 Rated
500mm Flying Leads**

- Complete visual signalling range from high efficiency static or flashing LED's to high discharge Xenon beacons to rotating parabolic reflector beacons, we have the solution suitable for your application.
- Available in a variety of frame sizes and with accessories such as protective cages and brackets to cater to your mounting requirements.
- Multiple colour varieties available including Red, Green, Amber and Blue to convey whichever message is required.

SPECIFICATIONS

Product Series	X80
Indication Mode(s)	Sight
Lamp Type	Xenon type
Illumination Mode	Flashing
Speed, Flash	65 per min
Details, Speed	or 60 FPM
Energy, Flash	2 J
Colour, Lens	Amber colour
Material, Lens	PC (Polycarbonate) - UV Stabilised
Un, Nominal Operational Voltage(s), AC	115 V AC 230
Input Frequency, Nom	50 / 60 Hz
Ie, Current, Operational, 115V AC	0.1 A@115VAC
Ie, Current, Operational, 230V AC	0.05 A@230VAC
Details, Current	100/50mA
Material, Base	ABS (Acrylonitrile Butadiene Styrene) - UV Stabilised
Colour, Base	Black base
Connection / Termination	Built-in cable with flying leads
Length, Cable	0.5 m
IP Rating	IP67
Mounting (Multiple)	Mounting Plate (Included) Surface Mount
Height	50 mm
Width	76 mm
Depth	76 mm
Weight	0.13 kg
Operating Temperature, Min	-20 °C min
Operating Temperature, Max	55 °C max

Catalogue No: **MOX80-04A**

BEACON 2J-XENON FLASH/STROBE IP65 230V AC AMBER

Signalling Devices > Sight Indication > Beacons > Moflash Beacons > Xenon Beacons > MOX80 Series - Xenon Beacons



Certifications

CE
RoHS

REFERENCES

IECEX Certificate -

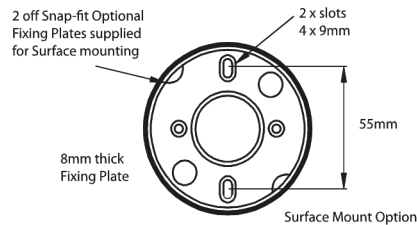
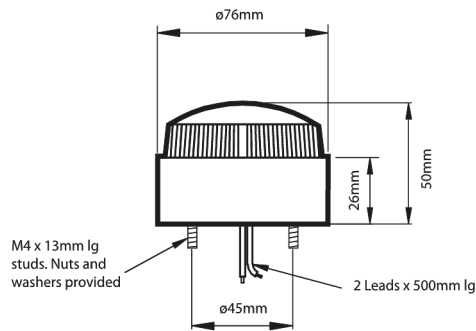
Supplier Declaration of Conformity: -

Installation Guide: [MOX80-04A_Installation Instructions](#)

User Manual: -

Manufacturer Datasheet: -

Manufacturer Catalogue & Product Selection: [MOX80-04A_Manufacturer Catalogue](#)



Dimension Diagram