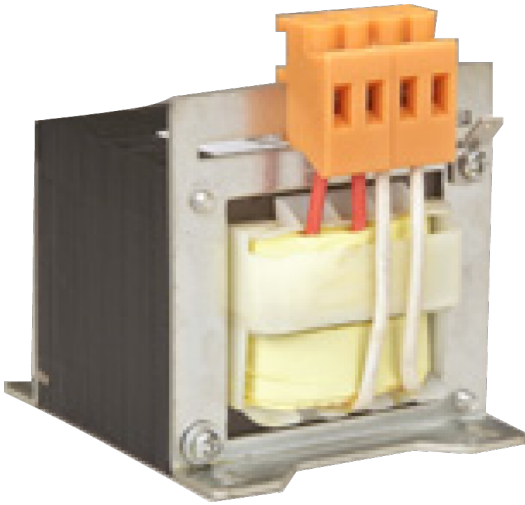


Catalogue No: **TOH100**
MLT TAP 100VA 415/240 - 24/12

Power Distribution and Protection > Power Supplies and Transformers > Transformers > NHP Control Transformers > Multi-Tapped Control Transformers



Multi tap transformer, 100 VA, 415/240 V AC dual input, 24/12 V AC dual output

- Voltage compensation (+5/-5%) available on secondary terminals
- Isolation between primary and secondary windings
- Insulation Class F (155°C)
- Low magnetic stray field and high efficiency

Representative Photo Only
(actual product may vary based on configuration selections)

SPECIFICATIONS

Component Type Transformer	Multi-tapped Transformer
Input Voltage(s), AC	240 V AC 415
Output Voltage(s), AC	12 V AC 24
Transformer Type	Multi-tapped Transformer
VA Rating	100 VA
Height	83 mm
Width	95 mm
Depth	88 mm
Insulation Class	F
Voltage Tolerance on Terminals	5 +/-%
Standards Compliance	AS/NZS 61558

REFERENCES

IECEX Certificate	-
Supplier Declaration of Conformity:	-
Installation Guide:	-
User Manual:	-
Manufacturer Datasheet:	-
Manufacturer Catalogue & Product Selection:	-

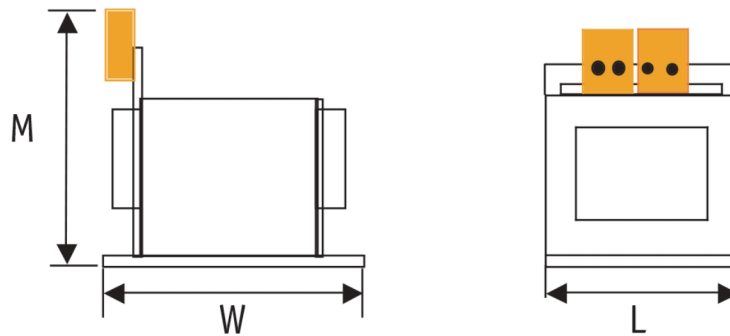
Catalogue No: **TOH100**
MLT TAP 100VA 415/240 - 24/12

Power Distribution and Protection > Power Supplies and Transformers > Transformers > NHP Control Transformers > Multi-Tapped Control Transformers

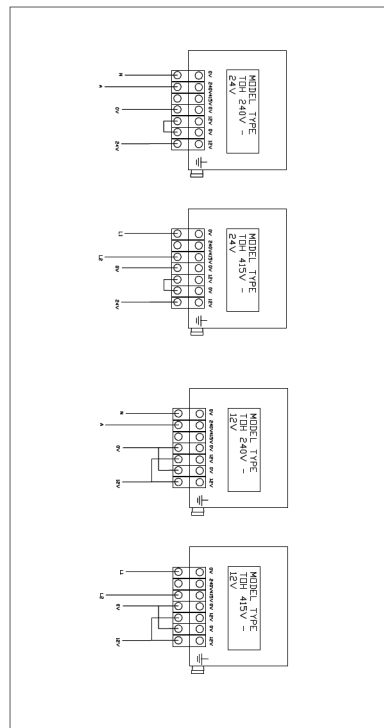


Rating (VA)	Dimensions (mm)			Dual input voltage (V)	Dual output voltage (V)	Cat. No.
	L	W	M			
40	76.5	72	91	415 / 240	24 / 12	TOH40
63	76.5	94	91	415 / 240	24 / 12	TOH63
100	101	81	110	415 / 240	24 / 12	TOH100
150	101	96	110	415 / 240	24 / 12	TOH150
400	119	103	126	415 / 240	24 / 12	TOH400

Dimensions (mm)



Dimension Diagram



Connection / Wiring Diagram