

PRODUCT DATASHEET

L 36 W/865 XXT

LUMILUX XXT T8 | Tubular fluorescent lamps 26 mm, with G13 bases, extra long life



AREAS OF APPLICATION

- Installations where relamping would disturb normal operations
- Street lighting
- Public buildings
- Industry
- Shops
- Supermarkets and department stores

PRODUCT BENEFITS

- Much lower total cost of ownership (TCO) compared with T8 LUMILUX lamps
- Service life 4.1 times higher than that of a standard LUMILUX lamp
- Longer standard lifetime, so fewer lamps for waste disposal

PRODUCT FEATURES

- Extremely reliable: long life, low premature failure rate, 90 % luminous flux throughout their life
- Service life: up to 75,000 h on ECGs or up to 58,000 h on CCGs
- Good color rendering group: 1B (R_a : 80...89)
- Dimmable with suitable ECG (for details see the Technical Guide)
- Top-quality three-band phosphor: LUMILUX



TECHNICAL DATA

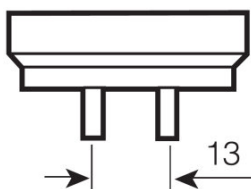
Electrical data

Rated lamp efficacy (HF data 25 °C)	Under clarification by authority and standardization body
Rated wattage	36.00 W
Nominal wattage	36.00 W

Photometrical data

Rated lamp efficacy (standard condition)	90 lm/W
Color rendering index Ra	≥80
Rated luminous flux	3250 lm
Luminous flux at 25 °C	3250 lm
Light color	865
Rated color temperature	6500 K
Nominal luminous flux	3250 lm
Light color (designation)	LUMILUX Cool Daylight
Rated LLMF at 2,000 h	0.96
Rated LLMF at 4,000 h	0.94
Rated LLMF at 6,000 h	0.94
Rated LLMF at 8,000 h	0.93
Rated LLMF at 12,000 h	0.92
Rated LLMF at 16,000 h	0.91
Rated LLMF at 20,000 h	0.91
Color temperature	6500 K
Luminous flux	3250 lm
Color rendering index Ra	≥80

Dimensions & weight



G13
IEC 7004-51
DIN 49653 T1

Tube diameter	26 mm
Length	1200 mm

Length with base excl. base pins/connection	1200.00 mm
Diameter	26.0 mm
Maximum diameter	26.0 mm

Temperatures & operating conditions

Rated ambient temp.w.max.luminous flux	25.0 °C
---	---------

Lifespan

Service life	75000 h ¹⁾
Lifespan	90000 h ¹⁾
Rated lamp survival factor at 2,000 h	0.99
Rated lamp survival factor at 4,000 h	0.99
Rated lamp survival factor at 6,000 h	0.99
Rated lamp survival factor at 8,000 h	0.99
Rated lamp survival factor at 12,000 h	0.99
Rated lamp survival factor at 16,000 h	0.99
Rated lamp survival factor at 20,000 h	0.99
Operation mode LLMF/LSF	HF
Rated lamp life time	90000 h
Nominal lamp life time	90000 h

¹⁾ With OSRAM preheat ECG (BAT)

Additional product data

Base (standard designation)	G13
Mercury content	3.3 mg
Show WEEE picto	Yes

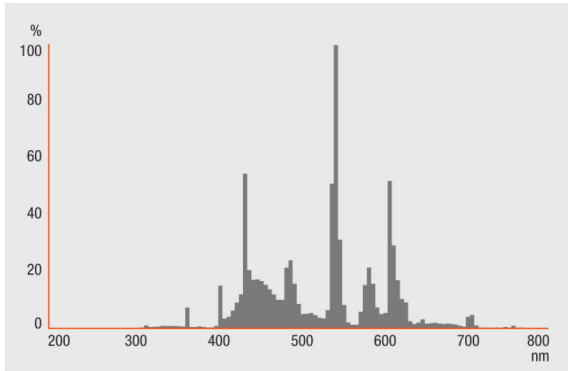
Capabilities

Dimmable	Yes
Suitable for indoor	Yes

Certificates & standards

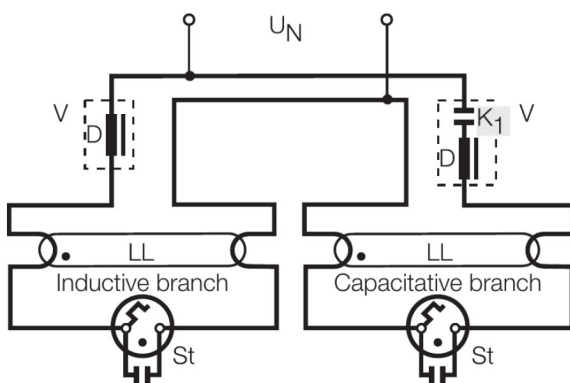
Energy efficiency class	A
Energy consumption	43 kWh/1000h

Light Distribution



Spectral power distribution

Wiring Diagram



Wiring diagram

SYSTEM GUARANTEE

OSRAM System+ Guarantee in combination with OSRAM ECGs

SAFETY ADVICE

In case of lamp breakage: www.ledvance.com/brokenlamp

Luminaire must be cleaned regularly to avoid loss of luminous flux.

REFERENCES / LINKS

For more information on the system guarantee and the terms and conditions of the guarantee visit

▶ www.ledvance.com/system-guarantee

DISCLAIMER

Subject to change without notice. Errors and omission excepted. Always make sure to use the most recent release.

LUMILUX XXT T8 | Tubular fluorescent lamps 26 mm, with G13 bases, extra long life

Product name	Product name ECG	EAN	Nominal current	Nominal wattage + Power loss	Luminous flux at 35 °C	Number of lighting outlets
L 36 W/865 XXT	QT-FIT 5/8 1x18-39		0.16 A	37.00 W	3200 lm	1
	QT-FIT 5/8 2x18-39		0.31 A	70.00 W	3200 lm	2
	QTi 1x14/24/21/39 GII		0.09 A	35.00 W	3200 lm	1
	QTi 2x14/24/21/39 GII		0.31 A	70.00 W	3200 lm	2
	QTi DALI 1x36 DIM		0.16 A	36.00 W	3300 lm	1
	QTi DALI 2x36 DIM		0.31 A	37.00 W	3300 lm	2
	QTP-OPTIMAL 1x18-40		0.16 A	36.00 W	3200 lm	1
	QTP-OPTIMAL 2x18-40		0.30 A	71.00 W	3200 lm	2