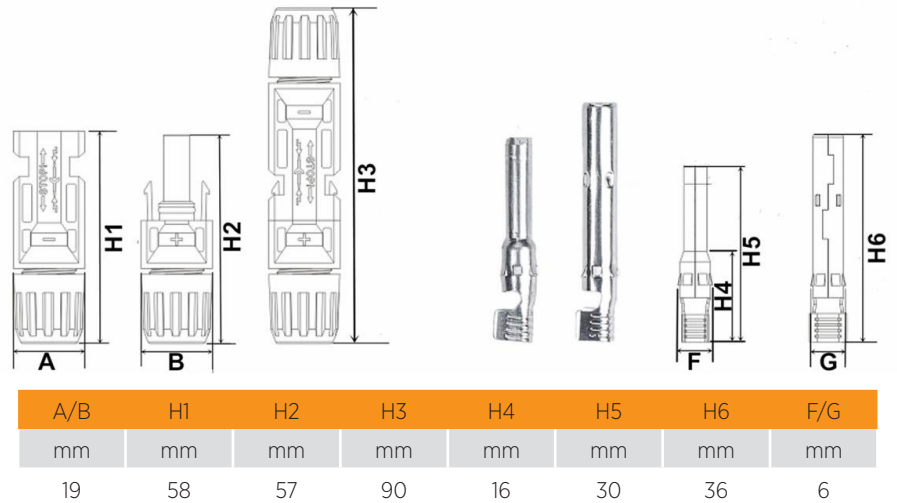


SE015 MC4 Connector - Pairs



Specification	
insulation Material	PPO
Contact Material	Copper Alloy, Tin plated
Temperatuer Range	-40°C to 105°C
Degree Protection Mated	IP67
Unmate	IP2X
Flame Class	UL94-V0
Locking System	Snap-in
Contact Resistance of Plug Connectors	0.5mΩ
Safety Class	II
Test Voltage	6kV(50HZ,1min)
Salt Mist Spray Test, Degree of Severity 5	IEC 60068-2-52
Rated Current	17A(1.5mm ²), 22A (2,5 mm ² ; 14AWG), 30A (4 mm ² , 6 mm ² ; 12AWG, 10AWG)
Connector System	Ø 4 mm
Rated Voltage	1000V DC(IEC)

Please Note:

Please consult with your Electrician/Engineer to ensure suitability for the intended application and installation.

PGK Distribution takes every precaution to ensure the information in this publication is correct but accepts no liability of any kind and reserves the right to change any detail in this catalogue without notification.