

SE028

4P 1000V DC Breaker Non-Polarity 20A

Features

- Reliable protection at high ambient temperatures
- Loadable: string protection up to 63A
- Tested: Ultimate short circuit breaking capacity Icu of 6 kA in accordance with IEC60898-2 and IEC60947-2
- Fast: Reclosable for minimum standstill times
- Safe: Reliable disconnecter properties, switching under load
- Approval: Provided on request



Technical Specifications

Frame degree rated current (A) 63

Electrical performance

Ue Rated operating voltage (VDC) 2P: DC440V, DC550V, DC800V 4P: DC1000V, DC1200V

Rated Current In (A) 6-10-16-20-25-32-40-50-63

Rated insulation voltage Ui (VDC) 1200V

Rated Impact voltage Uimp (kV) 4

Ultimate breaking capacity Icu (kA) 6

Run breaking capacity Ics (%Icu) 75%

Curve type C

Trip type Thermal-magnetic

Connection and Installation

Wiring capacity (mm²) In ≤ 32A, 1-25mm², I ≥ 40A, 10 - 35mm²

Ambient temperature (°C) -20-70

Altitude ≤ 2000

Relative humidity ≤ 95%

Pollution Level 3

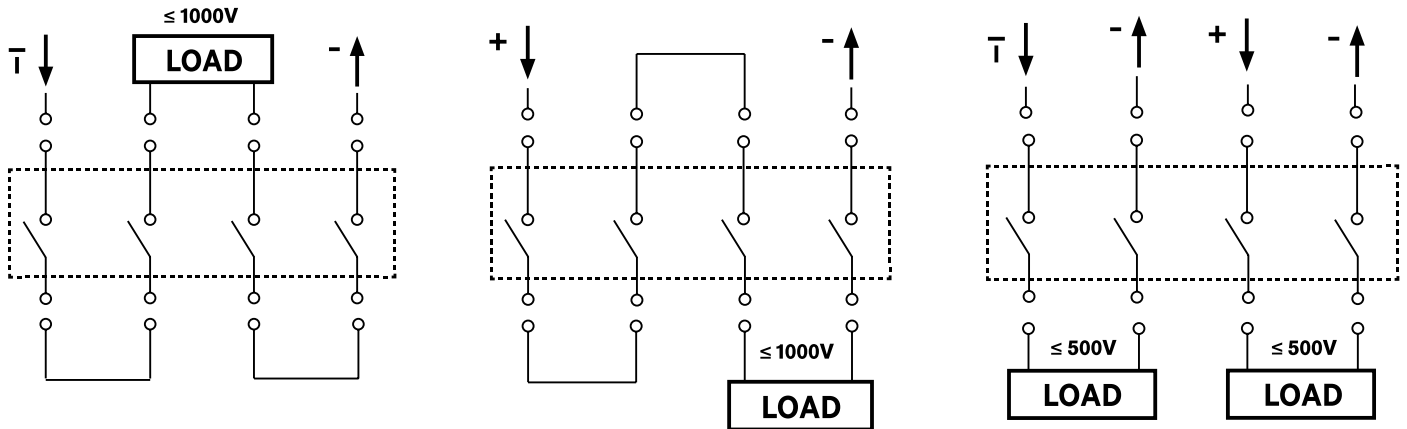
Installation Environment No obvious shock and vibration

Installation category Class II

Installation DIN Standard rail

Packing size 44 x 24 x 17.5 cm

Wiring diagram



- Protection and Isolation wiring
- The load should be $\leq 1000V$
- The connection considered for a network in which the middle point of the supply source is earthed
- In this case the breaker protects and isolates the load

- Protection and Isolation wiring
- The load should be $\leq 1000V$
- The Negative pole (-) could be earthed, but in both cases the breaker protects and isolates the load

- Protection and Isolation wiring to connect two different loads to DC Circuit Breaker 1000V
- Each of the loads should be $\leq 500V$
- This connection considered for a network of two independent loads in which the negative poles (-) can be also earthed

Wiring Diagram for PGK DC Circuit Breaker 4 Pole for a rated voltage $U_n = 1000V$

Characteristics Curves

