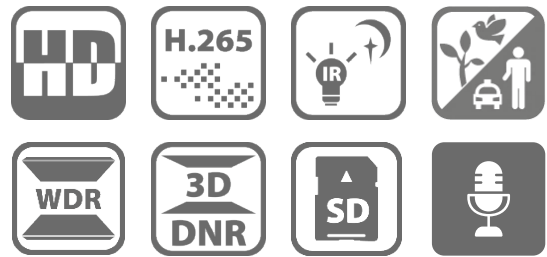




HLIK-4286TH2-AI

8CH 6MP AI NETWORK TURRET KIT



Features

- 8ch NVR with 2TB HDD & 4 x 6MP AI Turret Cameras
- Human/Vehicle detection to reduce false alarms
- IP66 Weatherproof Cameras with MIC
- Ultra low light performance, up to 30m IR range
- PoE (Power over Ethernet)
- 4K HDMI video outputs
- Mobile view via Hik-Connect App

Camera Features

- 1/2.8" Progressive Scan CMOS
- 2.8 mm fixed lens
- Color: 0.005 Lux @ (F1.6, AGC ON), 0 Lux with IR
- H.265, H.265+, H.264, H.264+
- 120dB WDR
- BLC/3D DNR/ROI/HLC
- Built-in micro SD/SDHC/SDXC card slot, up to 128 GB
- 3-Axis adjustment
- Built-in microphone

NVR Features

- Up to 8-ch IP camera inputs
- H.265+/H.265/H.264+/H.264 video formats
- Up to 1-ch@8 MP/5-ch@1080p decoding capacity
- Up to 80 Mbps incoming bandwidth
- 1 SATA interface for HDD connection (up to 8 TB capacity per HDD)
- Smart search/smart playback to improve the playback efficiency
- HDMI video output at up to 4K resolution
- Support multiple VCA (Video Content Analytics) events
- HiLookVision App for easy network management





HLIK-4286TH2-AI

8CH 6MP AI NETWORK TURRET KIT

Camera

Image Sensor	1/2.8" Progressive Scan CMOS
Min. Illumination	Color: 0.005 Lux @ (F1.6, AGC ON), B/W: 0 Lux with IR
Shutter Speed	1/3 s to 1/100,000 s
Slow Shutter	Yes
P/N	P/N
Wide Dynamic Range	120 dB
Day & Night	IR cut filter
Angle Adjustment	Pan: 0° to 360°, tilt: 0° to 75°, rotate: 0° to 360°

Lens

Lens Type	Fixed focal lens, 2.8 mm
Focal Length & FOV	2.8 mm, horizontal FOV 107°, vertical FOV 57°, diagonal FOV 128°
Iris Type	Fixed
Aperture	F1.6
Lens Mount	M12
DORI	2.8 mm: D: 73 m, O: 29 m, R: 15 m, I: 7 m

Illuminator

Supplement Light Type	IR
IR Range	Up to 30 m
IR Wavelength	850 nm
Smart Supplement Light	Yes

Audio

Audio Compression	-U: G.711ulaw/G.711alaw/G.722.1/G.726/ MP2L2/PCM/MP3/AAC
Audio Bit Rate	-U: 64 Kbps (G.711ulaw/G.711alaw)/16 Kbps (G.722.1)/16 Kbps (G.726)/16 Kbps to 64 Kbps (AAC)/32 to 192 Kbps (MP2L2)/8 to 320 Kbps (MP3)
Audio Sampling Rate	-U: 8 kHz/16 kHz/32 kHz/44.1 kHz/48 kHz
Environment Noise Filtering	-U: Yes

Video

Max. Resolution	3200 x 1800
Main Stream	50 Hz: 20 fps (3200 x 1800) 25 fps (2688 x 1520, 1920 x 1080, 1280 x 720) 60 Hz: 20 fps (3200 x 1800) 30 fps (2688 x 1520, 1920 x 1080, 1280 x 720)
Sub Stream	50 Hz: 25 fps (640 x 480, 640 x 360) 60 Hz: 30 fps (640 x 480, 640 x 360)
Third Stream	50 Hz: 10 fps (1920 x 1080, 1280 x 720, 640 x 480, 640 x 360) 60 Hz: 10 fps (1920 x 1080, 1280 x 720, 640 x 480, 640 x 360) *Third stream is supported under certain settings.
Video Compression	Main stream: H.265/H.264/ H.264+/H.265+ Sub-stream: H.265/H.264/MJPEG Third stream: H.265/H.264 *Third stream is supported under certain settings.
Video Bit Rate	32 Kbps to 16 Mbps
H.264 Type	Baseline Profile/Main Profile/High Profile
H.265 Type	Main Profile
H.264+	Main stream supports
H.265+	Main stream supports
Bit Rate Control	CBR/VBR
Scalable Video Coding (SVC)	H.264 and H.265 encoding
Region of Interest (ROI)	1 fixed region for main stream and sub-stream

Image

Image Parameters Switch	Yes
Image Settings	Rotate, mirror, privacy mask, saturation, brightness, contrast, sharpness, gain, white balance adjustable by client software or web browser
Day/Night Switch	Day, Night, Auto, Schedule
Image Enhancement	BLC, HLC, 3D DNR
SNR	≥ 52 dB

Event

Basic Event	Motion detection (human and vehicle targets classification), video tampering alarm, exception
Face Detection	Yes



HLIK-4286TH2-AI

8CH 6MP AI NETWORK TURRET KIT

Network

Protocols	TCP/IP, ICMP, HTTP, HTTPS, FTP, DHCP, DNS, DDNS, RTP, RTSP, NTP, UPnP, SMTP, IGMP, 802.1X, QoS, IPv4, IPv6, UDP, Bonjour, SSL/TLS, PPPoE, SNMP
Simultaneous Live View	Up to 6 channels
API	Open Network Video Interface (Profile S, Profile G), ISAPI, SDK
User/Host	Up to 32 users. 3 user levels: administrator, operator and user
Security	Password protection, complicated password, HTTPS encryption, IP address filter, Security Audit Log, basic and digest authentication for HTTP/HTTPS, TLS 1.1/1.2, WSSE and digest authentication for Open Network Video Interface
Network Storage	NAS (NFS, SMB/CIFS), auto network replenishment (ANR)
Client	iVMS-4200, Hik-Connect, Hik-Central
Web Browser	Plug-in required live view: IE 10, IE 11 Plug-in free live view : Chrome 57.0+, Firefox 52.0+ Local service: Chrome 57.0+, Firefox 52.0+

Interface

Ethernet Interface	1 RJ45 10 M/100 M self-adaptive Ethernet port
On-board Storage	Built-in memory card slot, support microSD/SDHC/SDXC card, up to 256 GB
Built-in Microphone	-U: yes
Hardware Reset	Yes

Deep Learning Function

Deep Learning Function	Line crossing detection, intrusion detection Supports human and vehicle targets classification
-------------------------------	------------------------------------------------------------------------------------------------

General

Linkage Method	Upload to FTP/memory card/NAS, notify surveillance center, trigger recording, trigger capture, send e
Camera Material	Aluminum alloy body
Camera Dimension	Ø 127.3 mm x 95.9 mm (Ø 5.0" x 3.8")
Package Dimension	150 mm x 150 mm x 141 mm (5.9" x 5.9" x 5.6")
Camera Weight	Approx. 600 g (1.3 lb.)
With Package Weight	Approx. 909 g (2.0 lb.)
Storage Conditions	-30 °C to 60 °C (-22 °F to 140 °F). Humidity 95% or less (non-condensing)
Startup and Operating Conditions	-30 °C to 60 °C (-22 °F to 140 °F). Humidity 95% or less (non-condensing)
Web Client Language	33 languages - English, Russian, Estonian, Bulgarian, Hungarian, Greek, German, Italian, Czech, Slovak, French, Polish, Dutch, Portuguese, Spanish, Romanian, Danish, Swedish, Norwegian, Finnish, Croatian, Slovenian, Serbian, Turkish, Korean, Traditional Chinese, Thai, Vietnamese, Japanese, Latvian, Lithuanian, Portuguese (Brazil), Ukrainian
General Function	Anti-flicker, heartbeat, password reset via email, pixel counter
Firmware Version	V5.5.113
Software Reset	Yes
Power Consumption and Current	12 VDC, 0.5 A, max. 6 W PoE (802.3af, 36 V to 57 V), 0.20 A to 0.13 A, max. 7.5 W
Power Supply	12 VDC 3 25%, reverse polarity protection PoE: 802.3af, Class 3
Power Interface	Ø 5.5 mm coaxial power plug

Approval

EMC	FCC (47 CFR Part 15, Subpart B); CE-EMC (EN 55032: 2015, EN 61000-3-2: 2014, EN 61000-3-3: 2013, EN 50130-4: 2011 +A1: 2014); RCM (AS/NZS CISPR 32: 2015); IC (ICES-003: Issue 6, 2016); KC (KN 32: 2015, KN 35: 2015)
Safety	UL (UL 60950-1); CB (IEC 60950-1:2005 + Am 1:2009 + Am 2:2013); CE-LVD (EN 60950-1:2005 + Am 1:2009 + Am 2:2013);
Environment	CE-RoHS (2011/65/EU); WEEE (2012/19/EU); Reach (Regulation (EC) No 1907/2006)
Protection	IP67 (IEC 60529-2013)



HLIK-4286TH2-AI

8CH 6MP AI NETWORK TURRET KIT

Video and Audio

IP video input	8-ch Up to 8 MP resolution
Incoming bandwidth	80 Mbps
Outgoing bandwidth	80 Mbps
HDMI output	1-ch, 4K (4096 x 2160)/30 Hz, 4K (3840 x 2160)/30 Hz, 2K (2560 x 1440)/60 Hz, 1920 x 1080/60 Hz, 1600 x 1200/60 Hz, 1280 x 1024/60 Hz, 1280 x 720/60 Hz
VGA output	1-ch, 1920 x 1080/60 Hz, 1280 x 1024/60 Hz, 1280 x 720/60 Hz
Video output mode	HDMI/VGA simultaneous output
CVBS output	N/A
Audio output	1-ch, RCA (Linear, 1 Kff)
Two-way audio input	1-ch, RCA (2.0 Vp-p, 1 Kff, using the audio input)

Decoding

Decoding format	H.265+/H.265/H.264+/H.264
Recording resolution	8 MP/6 MP/5 MP/4 MP/3 MP/1080p/UXGA/720p/VGA /4CIF/
Synchronous playback	8-ch
Capability	1-ch@8 MP (30 fps)/5-ch@1080p (30 fps)
Stream type	Video, Video & Audio
Audio compression	G.711ulaw/G.711alaw/G.722/G.726

Network

Remote connection	64
Network protocol	TCP/IP, DHCP, IPv4, IPv6, DNS, DDNS, NTP, RTSP, SADP, SMTP, SNMP, NFS, iSCSI, ISUP, UPnP™, HTTP, HTTPS
Network interface	1, RJ-45 10/100 Mbps self-adaptive Ethernet interface

POE Interface

Interface	8, RJ-45 10/100 Mbps self-adaptive Ethernet interface
Power	≤ 75 W
Supported stan	IEEE 802.3 af/at

Auxiliary Interface

SATA	1 SATA interface
Capacity	Up to 8 TB capacity for each disk
USB interface	Rear panel: 2 x USB 2.0

General

Power supply	48 VDC, 1.88 A
Consumption (without HDD and PoE off)	≤ 10 W
Working temperature	-10 °C to 55 °C (14 °F to 131 °F)
Working humidity	10% to 90%
Dimension (W x D x H)	265 x 225 x 48 mm (10.2" x 8.9" x 1.9")
Weight (without hard disk)	≤ 1 kg (2.2 lb)

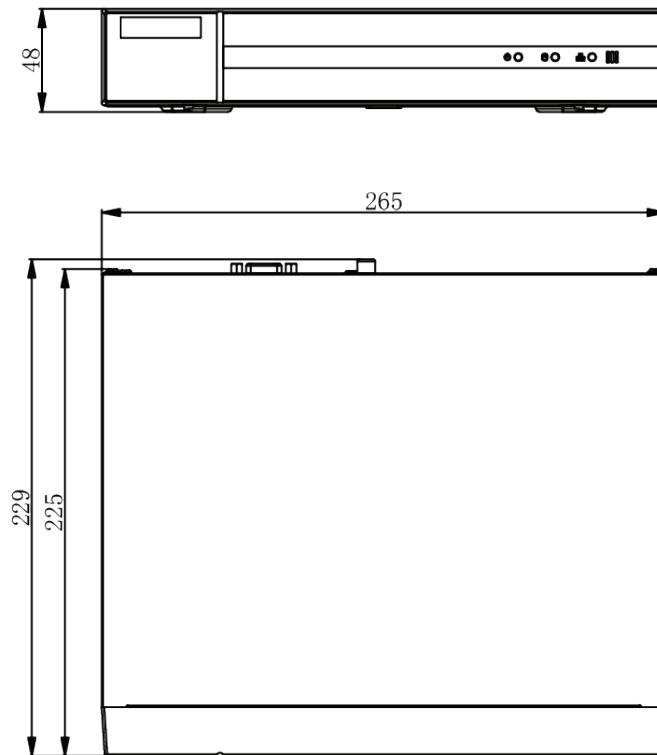
Certification

FCC	Part 15 Subpart B, ANSI C63.4-2014
CE	EN 55032: 2015, EN 61000-3-2, EN 61000-3-3, EN 50130-4, EN 55035: 2017



HLIK-4286TH2-AI

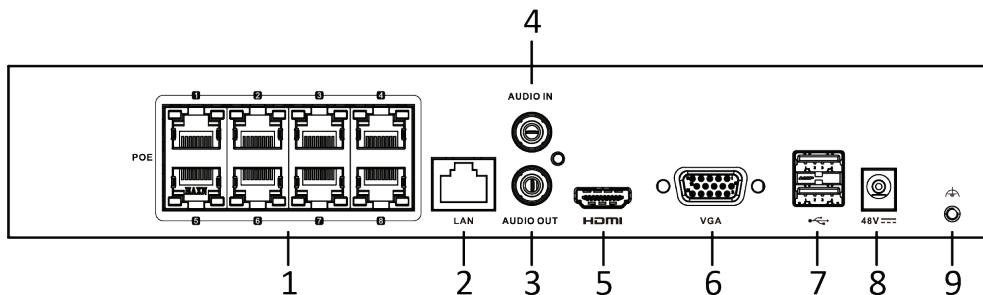
8CH 6MP AI NETWORK TURRET KIT



Physical Interfaces

INDEX	Description
1	PoE Interfaces
2	LAN Interface
3	AUDIO OUT
4	AUDIO IN
5	HDMI Output

INDEX	Description
6	VGA Output (DB9 Connector)
7	USB Interfaces
8	Power Supply
9	Ground





HLIK-4286TH2-AI

8CH 6MP AI NETWORK TURRET KIT

ACCESSORY



DS-1271ZJ-130-TRLB
Pendant Mount



DS-1276ZJ-SUSB
Corner Mount (Black)



DS-1281ZJ-MB (Black)
Inclined Ceiling Mount



DS-1275ZJ-SUS
Vertical Pole Mount



DS-1271ZJ-130-TRLB
Pendant Mount (Black)



DS-1280ZJ-DM8B
Junction Box (Black)



DS-1281ZJ-M
Inclined ceiling Mount



DS-1273ZJ-130B-TRL
Wall mount



DS-1276ZJ-SUS
Corner mount



DS-1275ZJ-SUSB
Vertical Pole Mount



DS-1273ZJ-130-TRLB
Wall Mount (Black)

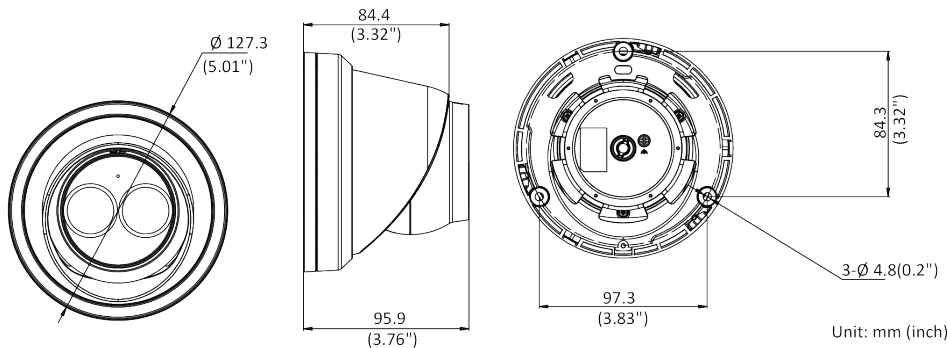


DS-1280ZJ-DM8
Junction box



DS-1273ZJ-130-TRL
Wall mount

DIMENSIONS



Due to continual product development, PSA Products Pty Ltd reserves the right to alter specifications, product details, modify designs and discontinue items without notice or incurring obligation. Whilst every effort is made to ensure that specifications and other information in this document are correct, no warranty is given in respect thereof and the company shall not be liable for any error therein. © 2021 PSA Products Pty Ltd. All Rights Reserved.



FIRE
SECURITY
INTERCOMS



psaproducts.com.au
1300 772 776
enquiry@psaproducts.com.au