



6MP IR FIXED TURRET NETWORK CAMERA

HLIPC-T261H-MU / HLIPC-T261H-MU-B (BLACK)



KEY FEATURES

- High quality imaging with 6 MP resolution
- Focusing on human and vehicle classification based on deep learning to reduce false alarming
- Efficient H.265+ compression technology to save bandwidth and storage
- Clear imaging against strong back light due to 120 dB true WDR technology
- Water and dust resistant (IP67)
- -U: Built-in microphone for real-time audio security
- Easy installation with Power over Ethernet (PoE) technology



FIRE • SECURITY • INTERCOMS

17 Millicent Street, Burwood, VIC 3125 Australia
Tel: 1300 PSA PRODUCTS (1300 772 776)
Fax: (03) 9888 9993
enquiry@psaproducts.com.au psaproducts.com.au





SPECIFICATIONS

Model

HLIPC-T261H-MU/HLIPC-T261H-MU-B

Model		HLIPC-T261H-MU/HLIPC-T261H-MU-B
Camera	Image Sensor	1/2.8" Progressive Scan CMOS
	Min. Illumination	Color: 0.005 Lux @ (F1.6, AGC ON), B/W: 0 Lux with IR
	Shutter Speed	1/3 s to 1/100,000 s
	Slow Shutter	Yes
	P/N	P/N
	Wide Dynamic Range	120 dB
	Day & Night	IR cut filter
	Angle Adjustment	Pan: 0° to 360°, tilt: 0° to 75°, rotate: 0° to 360°
Lens	Lens Type	Fixed focal lens, 2.8 mm
	Focal Length & FOV	2.8 mm, horizontal FOV 107°, vertical FOV 57°, diagonal FOV 128°
	Iris Type	Fixed
	Aperture	F1.6
	Lens Mount	M12
DORI	2.8 mm: D: 73 m, O: 29 m, R: 15 m, I: 7 m	
Illuminator	Supplement Light Type	IR
	Smart Supplement Light	Yes
	IR Wavelength	850 nm
	IR Range	Up to 30 m
Video	Max. Resolution	3200 × 1800
	Main Stream	50 Hz: 20 fps (3200 × 1800) 25 fps (2688 × 1520, 1920 × 1080, 1280 × 720) 60 Hz: 20 fps (3200 × 1800) 30 fps (2688 × 1520, 1920 × 1080, 1280 × 720)
	Sub-stream	50 Hz: 25 fps (640 × 480, 640 × 360) 60 Hz: 30 fps (640 × 480, 640 × 360)
	Third Stream	50 Hz: 10 fps (1920 × 1080, 1280 × 720, 640 × 480, 640 × 360) 60 Hz: 10 fps (1920 × 1080, 1280 × 720, 640 × 480, 640 × 360) *Third stream is supported under certain settings.
	Video Compression	Main stream: H.265/H.264/H.264+/H.265+ Sub-stream: H.265/H.264/MJPEG Third stream: H.265/H.264 *Third stream is supported under certain settings.
	Video Bit Rate	32 Kbps to 16 Mbps
	H.264 Type	Baseline Profile/Main Profile/High Profile
	H.265 Type	Main Profile
	H.264+	Main stream supports
	H.265+	Main stream supports
	Bit Rate Control	CBR/VBR
	Scalable Video Coding (SVC)	H.264 and H.265 encoding
	Region of Interest (ROI)	1 fixed region for main stream and sub-stream
	Audio	Audio Compression
Audio Bit Rate		-U: 64 Kbps (G.711 ulaw/G.711 alaw)/16 Kbps (G.722.1)/16 Kbps (G.726)/16 Kbps to 64 Kbps (AAC)/32 to 192 Kbps (MP2L2)/8 to 320 Kbps (MP3)
Audio Sampling Rate		-U: 8 kHz/16 kHz/32 kHz/44.1 kHz/48 kHz
Environment Noise Filtering		-U: Yes
Image	Image Parameters Switch	Yes
	Image Settings	Rotate, mirror, privacy mask, saturation, brightness, contrast, sharpness, gain, white balance adjustable by client software or web browser
	Day/Night Switch	Day, Night, Auto, Schedule
	Image Enhancement	BLC, HLC, 3D DNR
	SNR	≥ 52 dB



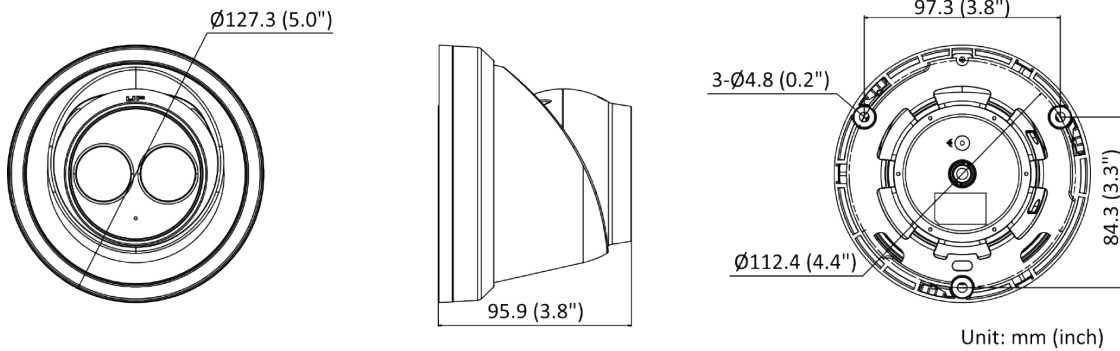
Model

HLIPC-T261H-MU/HLIPC-T261H-MU-B

Network	Protocols	TCP/IP, ICMP, HTTP, HTTPS, FTP, DHCP, DNS, DDNS, RTP, RTSP, NTP, UPnP, SMTP, IGMP, 802.1X, QoS, IPv4, IPv6, UDP, Bonjour, SSL/TLS, PPPoE, SNMP	
	Simultaneous Live View	Up to 6 channels	
	API	Open Network Video Interface (Profile S, Profile G), ISAPI, SDK	
	User/Host	Up to 32 users. 3 user levels: administrator, operator and user	
	Security	Password protection, complicated password, HTTPS encryption, IP address filter, Security Audit Log, basic and digest authentication for HTTP/HTTPS, TLS 1.1/1.2, WSSE and digest authentication for Open Network Video Interface	
	Network Storage	NAS (NFS, SMB/CIFS), auto network replenishment (ANR)	
	Client	iVMS-4200, Hik-Connect, Hik-Central	
	Web Browser	Plug-in required live view: IE 10, IE 11 Plug-in free live view : Chrome 57.0+, Firefox 52.0+ Local service: Chrome 57.0+, Firefox 52.0+	
Interface	Ethernet Interface	1 RJ45 10 M/100 M self-adaptive Ethernet port	
	On-board Storage	Built-in memory card slot, support microSD/SDHC/SDXC card, up to 256 GB	
	Built-in Microphone	-U: yes	
	Hardware Reset	Yes	
Event	Basic Event	Motion detection (human and vehicle targets classification), video tampering alarm, exception	
	Face Detection	Yes	
Deep Learning Function	Line crossing detection, intrusion detection Supports human and vehicle targets classification		
General	Linkage Method	Upload to FTP/memory card/NAS, notify surveillance center, trigger recording, trigger capture, send e	
	Camera Material	Aluminum alloy body	
	Camera Dimension	Ø 127.3 mm × 95.9 mm (Ø 5.0" × 3.8")	
	Package Dimension	150 mm × 150 mm × 141 mm (5.9" × 5.9" × 5.6")	
	Camera Weight	Approx. 600 g (1.3 lb.)	
	With Package Weight	Approx. 909 g (2.0 lb.)	
	Storage Conditions	-30 °C to 60 °C (-22 °F to 140 °F). Humidity 95% or less (non-condensing)	
	Startup and Operating Conditions	-30 °C to 60 °C (-22 °F to 140 °F). Humidity 95% or less (non-condensing)	
	Web Client Language	33 languages - English, Russian, Estonian, Bulgarian, Hungarian, Greek, German, Italian, Czech, Slovak, French, Polish, Dutch, Portuguese, Spanish, Romanian, Danish, Swedish, Norwegian, Finnish, Croatian, Slovenian, Serbian, Turkish, Korean, Traditional Chinese, Thai, Vietnamese, Japanese, Latvian, Lithuanian, Portuguese (Brazil), Ukrainian	
	General Function	Anti-flicker, heartbeat, password reset via email, pixel counter	
	Firmware Version	V5.5.113	
	Software Reset	Yes	
	Power Consumption and Current	12 VDC, 0.5 A, max. 6 W PoE (802.3af, 36 V to 57 V), 0.20 A to 0.13 A, max. 7.5 W	
	Power Supply	12 VDC ± 25%, reverse polarity protection PoE: 802.3af, Class 3	
	Power Interface	Ø 5.5 mm coaxial power plug	
	Approval	EMC	FCC (47 CFR Part 15, Subpart B); CE-EMC (EN 55032: 2015, EN 61000-3-2: 2014, EN 61000-3-3: 2013, EN 50130-4: 2011 +A1: 2014); RCM (AS/NZS CISPR 32: 2015); IC (ICES-003: Issue 6, 2016); KC (KN 32: 2015, KN 35: 2015)
Safety		UL (UL 60950-1); CB (IEC 60950-1:2005 + Am 1:2009 + Am 2:2013); CE-LVD (EN 60950-1:2005 + Am 1:2009 + Am 2:2013);	
Environment		CE-RoHS (2011/65/EU); WEEE (2012/19/EU); Reach (Regulation (EC) No 1907/2006)	
Protection		IP67 (IEC 60529-2013)	



DIMENSIONS



ACCESSORY *not all stocked



DS-1271ZJ-130-TRL
Pendant Mount



DS-1276ZJ-SUSB
Corner Mount (Black)



DS-1281ZJ-MB (Black)
Inclined Ceiling Mount



DS-1275ZJ-SUS
Vertical Pole Mount



DS-1271ZJ-130-TRLB
Pendant Mount (Black)



DS-1280ZJ-DM8B
Junction Box (Black)



DS-1281ZJ-M
Inclined ceiling Mount



DS-1273ZJ-130B-TRL
Wall mount



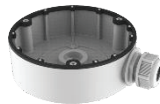
DS-1276ZJ-SUS
Corner mount



DS-1275ZJ-SUSB
Vertical Pole Mount (Black)



DS-1273ZJ-130-TRLB
Wall Mount (Black)



DS-1280ZJ-DM8
Junction box



DS-1273ZJ-130-TRL
Wall mount

FIRE • SECURITY • INTERCOMS