



HiLook
Powered by HIKVISION

8MP FIXED TURRET NETWORK CAMERA

HLIPC-T281H-MU



KEY FEATURES

- High quality imaging with 8 MP resolution
- Focusing on human and vehicle classification based on deep learning to reduce false alarming
- Efficient H.265+ compression technology to save bandwidth and storage
- Clear imaging against strong back light due to 120 dB true WDR technology
- Water and dust resistant (IP67)
- -U: Built-in microphone for real-time audio security
- Easy installation with Power over Ethernet (PoE) technology



AcuSense

FIRE • SECURITY • INTERCOMS

17 Millicent Street, Burwood, VIC 3125 Australia
Tel: 1300 PSA PRODUCTS (1300 772 776)
Fax: (03) 9888 9993
enquiry@psaproducts.com.au psaproducts.com.au

PSA PSA Products
FIRE • SECURITY • INTERCOMS



SPECIFICATIONS

Model

HLIPC-T281H-MU

Model		HLIPC-T281H-MU
Camera	Image Sensor	1/2.8" Progressive Scan CMOS
	Min. Illumination	Color: 0.005 Lux @ (F1.6, AGC ON), B/W: 0 Lux with IR
	Shutter Speed	1/3 s to 1/100,000 s
	Slow Shutter	Yes
	P/N	P/N
	Wide Dynamic Range	120 dB
	Day & Night	IR cut filter
	Angle Adjustment	Pan: 0° to 360°, tilt: 0° to 75°, rotate: 0° to 360°
Lens	Lens Type	Fixed focal lens, 2.8 mm
	Focal Length & FOV	2.8 mm, horizontal FOV 107°, vertical FOV 57°, diagonal FOV 128°
	Lens Mount	M12
	Iris Type	Fixed
	Aperture	F1.6
DORI	2.8 mm: D: 88 m, O: 35 m, R: 17 m, I: 9 m	
Illuminator	Supplement Light Type	IR
	Smart Supplement Light	Yes
	IR Wavelength	850 nm
	IR Range	Up to 30 m
Video	Max. Resolution	3840 × 2160
	Main Stream	50 Hz: 20 fps (3840 × 2160) 25 fps (3200 × 1800, 2688 × 1520, 1920 × 1080, 1280 × 720) 60 Hz: 20 fps (3840 × 2160) 30 fps (3200 × 1800, 2688 × 1520, 1920 × 1080, 1280 × 720)
	Sub-stream	50 Hz: 25 fps (640 × 480, 640 × 360) 60 Hz: 30 fps (640 × 480, 640 × 360)
	Third Stream	50 Hz: 10 fps (1920 × 1080, 1280 × 720, 640 × 480, 640 × 360) 60 Hz: 10 fps (1920 × 1080, 1280 × 720, 640 × 480, 640 × 360) *Third stream is supported under certain settings.
	Video Compression	Main stream: H.265/H.264/H.264+/H.265+ Sub-stream: H.265/H.264/MJPEG Third stream: H.265/H.264 *Third stream is supported under certain settings.
	Video Bit Rate	32 Kbps to 16 Mbps
	H.264 Type	Baseline Profile/Main Profile/High Profile
	H.265 Type	Main Profile
	H.264+	Main stream supports
	H.265+	Main stream supports
	Bit Rate Control	CBR/VBR
	Scalable Video Coding (SVC)	H.264 and H.265 encoding
	Region of Interest (ROI)	1 fixed region for main stream and sub-stream
Audio	Audio Compression	-U: G.711 ulaw/G.711 alaw/G.722.1/G.726/MP2L2/PCM/MP3/AAC
	Audio Bit Rate	-U: 64 Kbps (G.711 ulaw/G.711 alaw)/16 Kbps (G.722.1)/16 Kbps (G.726)/16 Kbps to 64 Kbps (AAC)/32 to 192 Kbps (MP2L2)/8 to 320 Kbps (MP3)
	Audio Sampling Rate	-U: 8 kHz/16 kHz/32 kHz/44.1 kHz/48 kHz
	Environment Noise Filtering	-U: Yes
Image	Image Parameters Switch	Yes
	Image Settings	Rotate, mirror, privacy mask, saturation, brightness, contrast, sharpness, gain, white balance adjustable by client software or web browser
	Day/Night Switch	Day, Night, Auto, Schedule
	Image Enhancement	BLC, HLC, 3D DNR
	SNR	≥ 52 dB



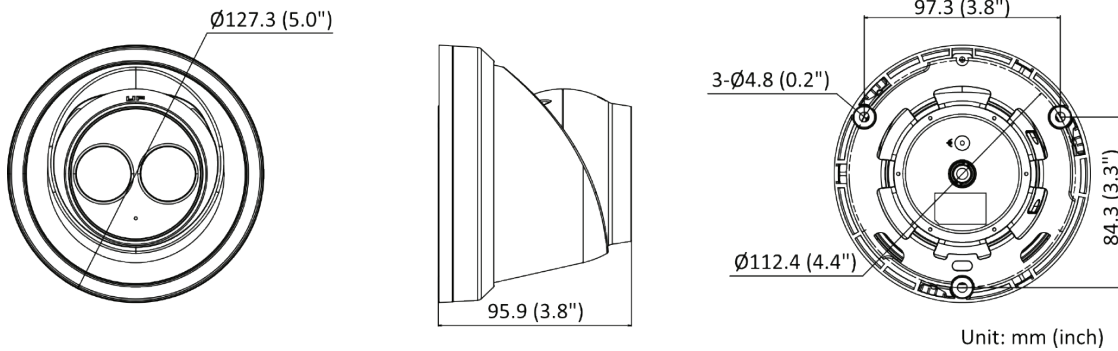
Model

HLIPC-T281H-MU

Network	Protocols	TCP/IP, ICMP, HTTP, HTTPS, FTP, DHCP, DNS, DDNS, RTP, RTSP, NTP, UPnP, SMTP, IGMP, 802.1X, QoS, IPv4, IPv6, UDP, Bonjour, SSL/TLS, PPPoE, SNMP
	Simultaneous Live View	Up to 6 channels
	API	Open Network Video Interface (Profile S, Profile G), ISAPI, SDK
	User/Host	Up to 32 users. 3 user levels: administrator, operator and user
	Security	Password protection, complicated password, HTTPS encryption, IP address filter, Security Audit Log, basic and digest authentication for HTTP/HTTPS, TLS 1.1/1.2, WSSE and digest authentication for Open Network Video Interface
	Network Storage	NAS (NFS, SMB/CIFS), auto network replenishment (ANR)
	Client	iVMS-4200, Hik-Connect, Hik-Central
Interface	Web Browser	Plug-in required live view: IE 10, IE 11 Plug-in free live view : Chrome 57.0+, Firefox 52.0+ Local service: Chrome 57.0+, Firefox 52.0+
	Ethernet Interface	1 RJ45 10 M/100 M self-adaptive Ethernet port
	On-board Storage	Built-in memory card slot, support microSD/SDHC/SDXC card, up to 256 GB
	Built-in Microphone	-U: yes
Event	Hardware Reset	Yes
	Basic Event	Motion detection (human and vehicle targets classification), video tampering alarm, exception
	Face Detection	Yes
Deep Learning Function		Line crossing detection, intrusion detection Supports human and vehicle targets classification
General	Linkage Method	Upload to FTP/memory card/NAS, notify surveillance center, trigger recording, trigger capture, send email
	Camera Material	Aluminum alloy body
	Camera Dimension	Ø 127.3 mm × 95.9 mm (Ø 5.0" × 3.8")
	Package Dimension	150 mm × 150 mm × 141 mm (5.9" × 5.9" × 5.6")
	Camera Weight	Approx. 600 g (1.3 lb.)
	With Package Weight	Approx. 891 g (2.0 lb.)
	Storage Conditions	-30 °C to 60 °C (-22 °F to 140 °F). Humidity 95% or less (non-condensing)
	Startup and Operating Conditions	-30 °C to 60 °C (-22 °F to 140 °F). Humidity 95% or less (non-condensing)
	Web Client Language	33 languages - English, Russian, Estonian, Bulgarian, Hungarian, Greek, German, Italian, Czech, Slovak, French, Polish, Dutch, Portuguese, Spanish, Romanian, Danish, Swedish, Norwegian, Finnish, Croatian, Slovenian, Serbian, Turkish, Korean, Traditional Chinese, Thai, Vietnamese, Japanese, Latvian, Lithuanian, Portuguese (Brazil), Ukrainian
	General Function	Anti-flicker, heartbeat, password reset via email, pixel counter
	Firmware Version	V5.5.113
	Software Reset	Yes
	Power Consumption and Current	12 VDC, 0.5 A, max. 6 W PoE (802.3af, 36 V to 57 V), 0.20 A to 0.13 A, max. 7.5 W
	Power Supply	12 VDC ± 25%, reverse polarity protection PoE: 802.3af, Class 3
Power Interface	Ø 5.5 mm coaxial power plug	
Approval	EMC	FCC (47 CFR Part 15, Subpart B); CE-EMC (EN 55032: 2015, EN 61000-3-2: 2014, EN 61000-3-3: 2013, EN 50130-4: 2011 +A1: 2014); RCM (AS/NZS CISPR 32: 2015); IC (ICES-003: Issue 6, 2016); KC (KN 32: 2015, KN 35: 2015)
	Safety	UL (UL 60950-1); CB (IEC 60950-1:2005 + Am 1:2009 + Am 2:2013); CE-LVD (EN 60950-1:2005 + Am 1:2009 + Am 2:2013);
	Environment	CE-RoHS (2011/65/EU); WEEE (2012/19/EU); Reach (Regulation (EC) No 1907/2006)
	Protection	IP67 (IEC 60529-2013)



DIMENSIONS



ACCESSORY *not all stocked



DS-1271ZJ-130-TRL
Pendant Mount



DS-1276ZJ-SUSB
Corner Mount (Black)



DS-1281ZJ-MB (Black)
Inclined Ceiling Mount



DS-1275ZJ-SUS
Vertical Pole Mount



DS-1271ZJ-130-TRLB
Pendant Mount (Black)



DS-1280ZJ-DM8B
Junction Box (Black)



DS-1281ZJ-M
Inclined ceiling Mount



DS-1273ZJ-130B-TRL
Wall mount



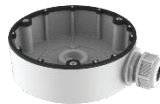
DS-1276ZJ-SUS
Corner mount



DS-1275ZJ-SUSB
Vertical Pole Mount (Black)



DS-1273ZJ-130-TRLB
Wall Mount (Black)



DS-1280ZJ-DM8
Junction box



DS-1273ZJ-130-TRL
Wall mount

FIRE • SECURITY • INTERCOMS