

SMOKE ALARM R240RC

240V ac. Mains Power Photoelectric Smoke Alarm with Rechargeable Battery Backup



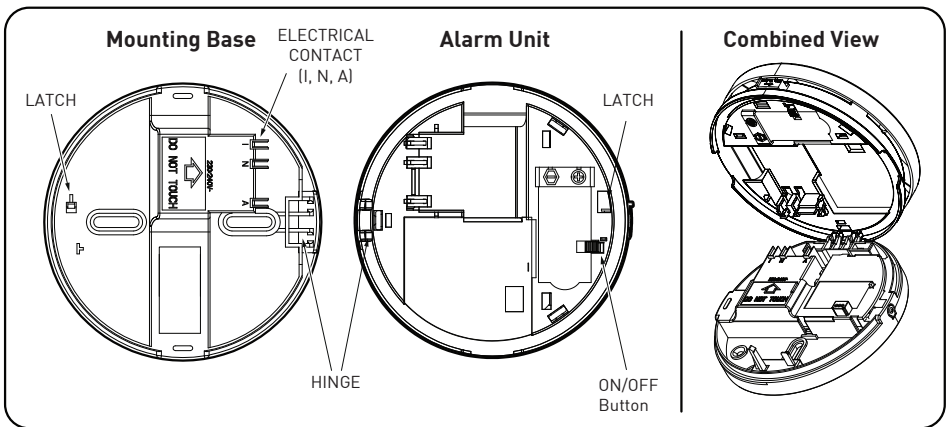
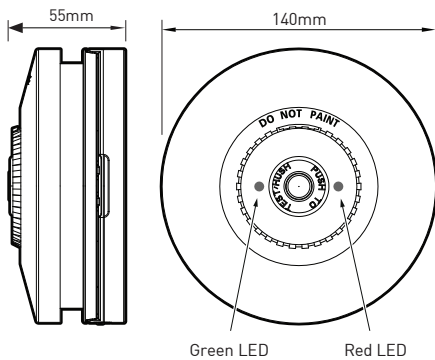
INSTALLATION INSTRUCTIONS

PLEASE NOTE: READ ALL INSTRUCTIONS BEFORE INSTALLATION. NO USER SERVICEABLE PARTS INSIDE THIS SMOKE ALARM. THIS ALARM MUST BE INSTALLED BY A LICENSED ELECTRICIAN.



Specifications:

Main Power Source	220-240V ac, 50Hz
Backup Battery	Rechargeable lithium battery
Operating Current	≤40 mA
Sensing Type	Type A Photoelectric smoke alarm - contains NO radioactive material
Temperature Range	0 °C to 45 °C
Humidity Range	5% to 95%
Type of Installation	Indoor
Interconnecting	40 alarms for wireless 40 alarms wired over 150 metres maximum
Terminals	Active, Neutral, Loop and Interconnect terminals, each accommodates 2 × 1.5 mm ²
Sound Level	85 dB at three metres minimum
Alarm Condition	Audible signal pattern (ISO 8201)
Visual Indicators	Green LED for mains power ON Red LED for warning and low battery indication
Approval	AS 3786:2014, ULS36341



Installation & Interconnecting Smoke Alarms:

- Strip the Active/Neutral and Interconnect (if used) wires back to the strip length shown below.
- Connect the wires to the correct terminals on the base and ensure the terminal screws are fully tightened.
- Screw the mounting base onto the ceiling or wall using plugs and screws.
- Clip the smoke alarm on to the base (if not already attached).
- Engage the 10year lithium battery by activating the on/off switch to the ON position before closing the smoke alarm to the base.
- Turn on the mains power and check the green and red LEDs function. The Green LED should be constantly illuminated to show mains power present. The Red LED will pulse every 40-60 seconds to indicate correct operation and that the backup battery is okay.
- Press the Test/Hush button for 3 seconds to check the alarm works.

Installation is not complete until both LEDs are functioning correctly. R240RC with rechargeable battery requires 240V current to ensure they are recharging on a continuous basis. The 3V rechargeable battery has a standby duration of up to 6 months without any 240V charge.

NOTICE - EQUIPMENT INSTALLATION COMPLIANCE

Follow National/State Electrical Codes and any local state legislation requirements. Cable sizing must be in accordance with AS/NZS 3000:2018 wiring regulations and adhere to state regulations a minimum of 1.0 mm² 250v. Interconnect cable on alarms must be SDI cable. (No 4core/ aircon wire to be used). Failure to follow will void warranty.

TERMINAL	
A:	Active / Line
E/LOOP:	Earth or Loop
N:	Neutral
I:	Interconnect

⚠ IMPORTANT

EQUIPMENT INSTALLATION HAZARD

- All interconnected smoke alarms must be supplied from the same circuit.
- A common Neutral must be used for the Interconnect to operate.
- DO NOT connect the Interconnect wire to Active or Neutral.
- Maximum of 40 interconnected smoke alarms.
- Only Red smoke alarms can be interconnected.

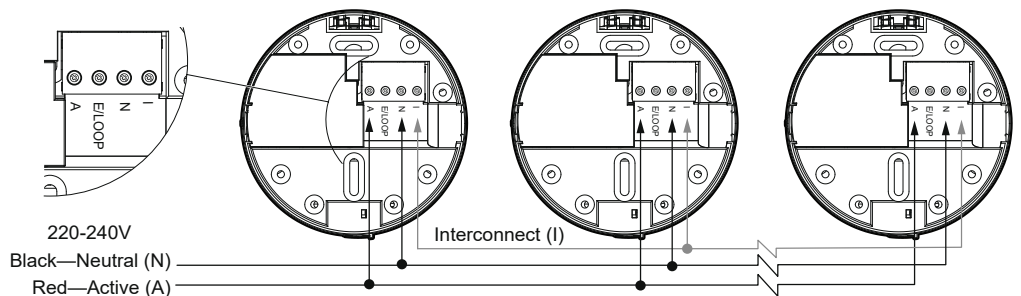
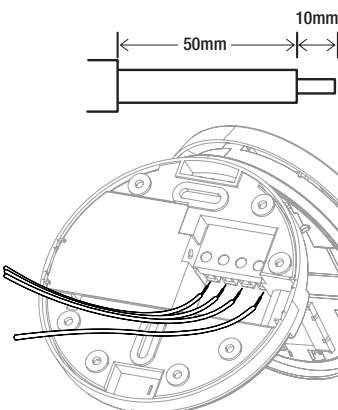
WARNING: Failure to follow these instructions may result in equipment damage or injury.

⚠ CAUTION

- Red LED flashes very quickly (3 times per second) without sound. This means neutral connection is missing or wiring is incorrect. Please check wiring and connection of smoke alarms with flashing red LED and rectify wiring issue immediately.
- An optional wireless base (RWB) may be purchased separately if wired connection is not possible.

⚠ CAUTION

- Alternative Energy Sources - (Wind, Solar, UPS etc.) This product is designed to be connected to a Pure or True Sine Wave 230V AC supply.
- It should not be connected to a power source that utilises an inverter, e.g. PV solar panel, the Total Harmonic Distortion (THD).
- Light Dimmer Circuits - The Alarms must not be powered from a light dimmer circuit



Operation and Testing

OPERATION

Once the mains power (220-240V ac.) is connected, the smoke alarm is operating.

Once Smoke Is Detected

The smoke alarm will sound a loud alarm (85 dB) and the red LED will flash rapidly. This will continue until the air is cleared.

Standby Condition

The red LED flashes once every 40-60 seconds to indicate the smoke alarm and battery are functioning correctly.

Green LED

The green LED is illuminated when the mains power (220-240V ac.) is on.

Memory Function

If one of the alarm indicators [RED LED] flashes every 4 seconds, it means that a smoke alarm was activated before. This function will remain active for 72 hours.

Important information: After the Test/Hush button has been pressed, wait 10 minutes before any additional testing is conducted to avoid any false alarm responses as product has reduced sensitivity during this period. Refer to 'Hush or Silence Feature'.

Hush or Silence Feature

- This smoke alarm has a built-in Hush or Silence feature incorporated into the Test/Hush button.
- If cooking or other non-hazardous sources cause the alarm to sound, it can be temporarily silenced by pressing the Test/Hush button for 3 seconds.
- The alarm then enters a dormant period for 10 minutes.
- After the 10 minute dormant period, the smoke alarm will resume normal operation.

Note: After the Test/Hush button has been pressed, wait 10 minutes before any additional testing is conducted to avoid any abnormal responses as the smoke alarm is not sensitive to smoke during this period.

Recommended Locations of Alarms:

- Install at least one alarm for each bedroom.
- Install at least one alarm to protect any stairway.
- Install at least one alarm on every floor level.
- Install an alarm in every room where a smoker sleeps as additional protection.
- Install an alarm in every room where electrical appliances are operated (i.e. portable heaters or humidifiers) as additional protection.
- Install an alarm in every room where someone sleeps with the door closed as additional protection. The closed door may prevent the alarm from waking the sleeper.
- When mounting an alarm on the ceiling install it at a minimum of 300mm from the side wall and 500mm max. from any corner (See 3i Diagram).
- When mounting an alarm on a wall, install it at a minimum of 300mm from the ceiling level but not more than 500mm from the ceiling level and any corner (See 3i Diagram).
- When mounting an alarm at the apex of a sloping ceiling it should be located a minimum of 500mm from the apex but should not exceed 1500mm (See 3ii Diagram).

Avoid These Locations:

Do not place alarm in the following locations:

- The garage. As the emissions will be released and may cause false alarming, when you start a motor vehicle
- In front of forced air supply ducts used for heating and air-conditioning and other high airflow areas.
- In the peak of an "A" frame type of ceiling.
- In areas where temperatures may fall below 0°C or rise above 45°C.
- In dusty areas, dust particles may cause smoke alarm to false alarm or fail to alarm.
- We do not recommend installation in or directly adjacent to areas of high condensation such as bathrooms & laundries due to the potential of false alarms.
- Kitchen/cooking areas.

Maintenance:

The smoke alarm is virtually maintenance free. However, under dusty or greasy conditions, a vacuum cleaner may be used to clean the exterior of unit (including slots on cover).

DO NOT IMMERSE IN OR SPRAY WITH HOUSEHOLD CLEANERS.

TESTING

TEST THE SMOKE ALARM ONCE PER MONTH TO ENSURE PROPER OPERATION

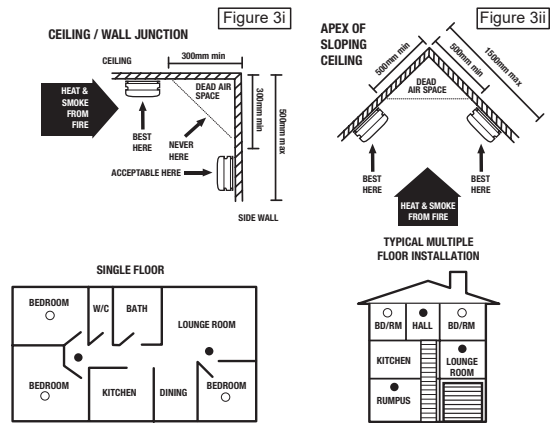
Test by pushing the Test/Hush button on the smoke alarm for three seconds until the alarm sounds. The alarm will sound if all electronic circuitry, horn and battery are working.

If no alarm sounds, check the smoke alarm is installed correctly. If smoke alarm is installed correctly and the alarm still does not sound, replace the smoke alarm.

It is possible for the smoke alarm to fail at any time. For this reason, you must test the smoke alarm weekly and replace every 10 years.

Never use an open flame of any type to test your alarm. Check that all interconnected smoke alarms operate during the test.

Installation of Smoke Alarms:



- Smoke alarms for minimum protection.
- Smoke alarms for additional protection.

IMPORTANT: INCORRECT ORIENTATION OF SMOKE ALARMS MAY DECREASE OPERATIONAL EFFECTIVENESS

Troubleshooting Guide:

Condition	Meaning	Resolution / Action
One audible beep every 40 to 60 seconds.	Low battery warning	<ul style="list-style-type: none"> • Test and check the mains power connection. • Make sure the transport disconnect interlock is removed.
Two audible beeps every 40 to 60 seconds.	The smoke alarm may not be operating correctly.	<ul style="list-style-type: none"> • Clean smoke alarm according to "Maintenance". If the problem persists, contact Red Smoke Alarms, website: www.redsmokealarms.com.au
Red LED flashing every 4 seconds	The smoke alarm has previously been activated.	<ul style="list-style-type: none"> • If there is evidence of an alarm event, be sure to investigate further

Warranty:

Red smoke alarms have a service life of 10 years under normal use. Australian Standards stipulate that smoke alarms must be replaced when the alarm reaches 10 years of age from the manufacture date. Red Smoke Alarms warrants this product to be free from defects in materials and workmanship for a period of ten (10) years from the manufacture date of the alarm. This ten (10) year warranty applies to the first purchaser only - for subsequent purchasers, the warranty is five (5) years from the manufacture date.



RED SMOKE ALARMS PTY. LTD.
 35 Hitech Drive
 KUNDA PARK QLD 4556
 service@redsmokealarms.com.au
 www.redsmokealarms.com.au
 1300 316 552

Red Smoke Alarms reserves the right to change specifications, modify designs and discontinue items without incurring obligation and whilst every effort is made to ensure that descriptions, specifications and other information in this catalogue are correct, no warranty is given in respect thereof and the company shall not be liable for any error therein.

© Red Smoke Alarms 2023

This material copyright under Australian and international laws. Except as permitted under the relevant law, no part of this work may be reproduced by any process without prior written permission of and acknowledgment to Red Smoke Alarms.

E&OE
 V 2.0

