



CLIPSAL®

Wiser™ Home

Technical Catalogue

clipsal.com/wiser-home

Life Is On

Schneider
Electric

Imagine making every home a smart and sustainable home with Clipsal Wiser



As a smart home and energy management solution you can configure and expand to suit any customer's need, Clipsal Wiser™ gives you full flexibility.

Be at the forefront of your next smart home and energy management installation with Clipsal Wiser Home, a solution that combines local Australian know-how with Schneider Electric's unrivalled global R&D and extensive smart home expertise. This smart home and energy management system utilises multi-award-winning designs and is incredibly powerful, yet straightforward for a skilled electrician to install. Best of all, a Wiser Home solution can be upgraded with modular components as your customer's needs change.

Plus your customers can integrate third-party devices like smart speakers for voice control, along with all products from the Clipsal Iconic range, so their Wiser Home can grow with them.

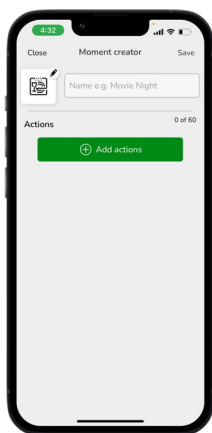
Take your smart home business to the next level and discover the full range of solutions here.

Content

Meet Wiser Home	2
Wiser Home App	8
Hub	10
Hub 2nd Generation	11
Lighting, Dimmer, and Shutter Controls	12
Wiser Micro Module Switch	14
Wiser Micro Module Dimmer	15
Wiser Micro Module Blind Controller	16
Iconic Connected Switch 2 AX.....	17
Iconic Connected Switch 10 AX.....	18
Iconic Connected Dimmer	19
Iconic Connected AC Fan Speed Controller.....	20
Iconic Connected Socket	21
Iconic Outdoor Connected Socket	22
Safety and Security Solutions.....	24
Wiser Window/Door Sensor	26
Wiser Water Leakage Sensor	27
Wiser Motion Sensor.....	28
Wiser Temperature/Humidity Sensor.....	29
Wiser Smoke Alarm - Battery	30
Wiser Smoke Alarm - 240 V Square	31
Wiser Smoke Alarm 240 V.....	32
Energy Management Solutions	34
PowerTag Energy	34
PowerTag Control	42
Circuit Protection	44
MAX9 New Energy Protection Kit with MAXBAR+.....	45
eMobility Solutions.....	46
Schneider Charge	48
Schneider Charge Anti-tripping System	49
Reference Numbers	50

Imagine a smart home that's flexible and personalised to your customer's lifestyle

With a Clipsal Wiser Home solution, your customer's smartphone can become the dashboard for setting up and controlling their whole home. They can do everything from optimising their energy usage to changing lighting remotely with the Wiser Home app, or even with a voice assistant.



Tap **+** to add a new Moment

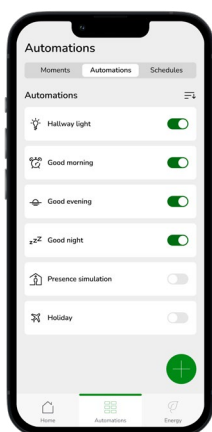
Create personalised 'Moments'

Moments are "scenes" where home owners operate multiple Wiser devices all at once with one tap on the Wiser Home app or press of a Wiser switch, or voice command. This enables you to add value to your service, because you can set all of this up for them, create moments, or show them how to make the most of their system.

Moments can be set up for all kinds of scenarios in the home. These are great for dinner parties, having friends over for movie nights, or just winding down or when leaving the house, they can run an "all off" Moment.

Imagine the power of 'Automation'

With the Automation feature, your customer's can fully customise the behaviour of their Clipsal Wiser Home to suit their needs and have their home react to particular events. After defining conditions and actions, their Clipsal Wiser Smart Home will automatically activate if the conditions are met. Imagine being able to set an Automation to turn the hallway lights ON from 7 pm to 9.30 pm each night at 80 % light level when a movement sensor is triggered or optimise energy usage and solar self consumption by running pool pumps and hot water at times of peak solar.



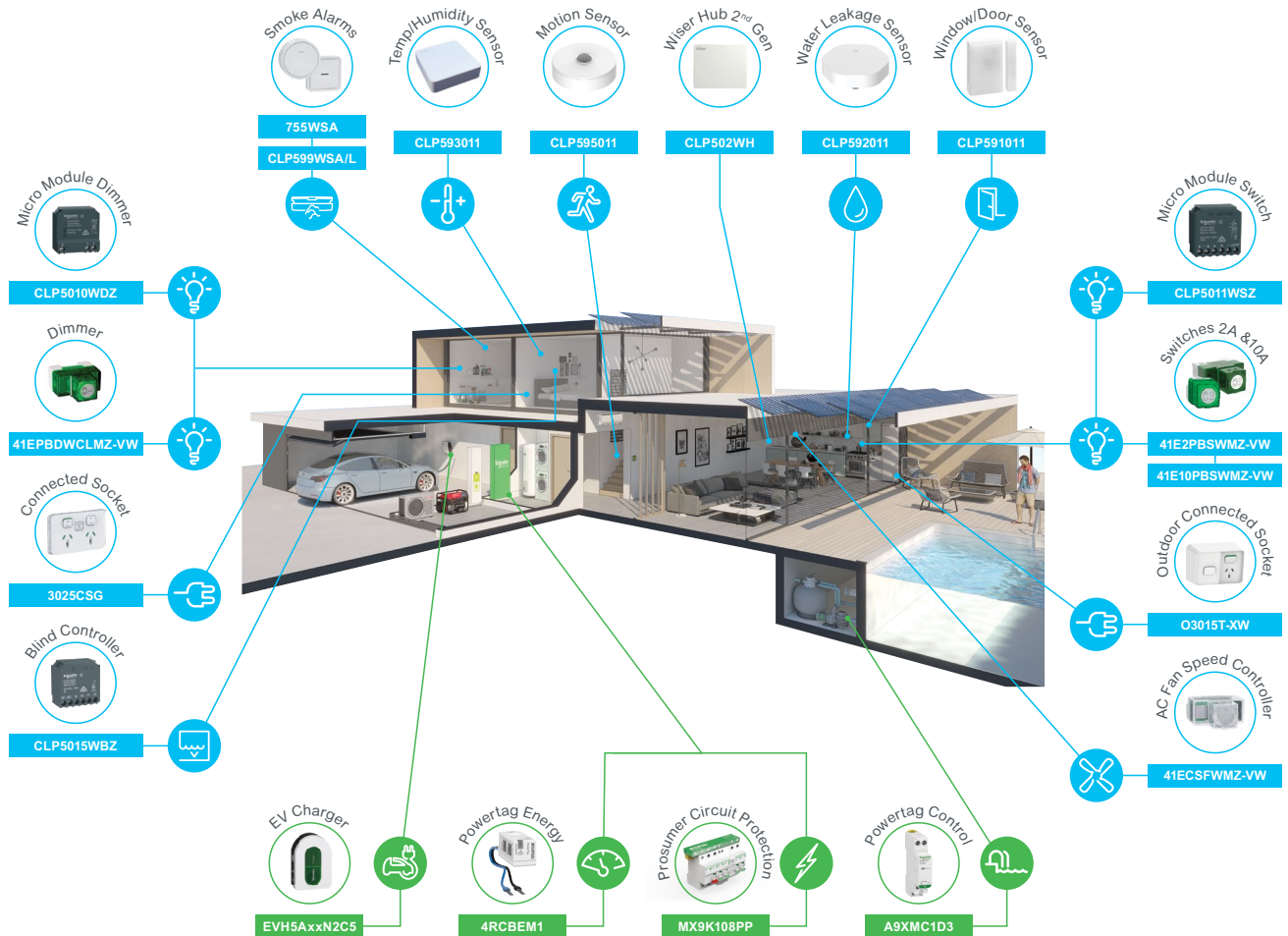
Tap **+** to add a new Automation

A smart and sustainable Home that grows with your customers needs

From one smart function to a complete smart and sustainable Home, Clipsal Wiser Home features all the capabilities you need to start your customer's smart home and energy management journey. Plus it's easy to scale up and add new devices to. You can start off with one or two functions, like living room lights and bedroom window blinds, or energy monitoring and insights and affordably add to the system throughout the house as their needs change.

Simple and Scalable

Wiser™ provides energy management and home automation from one intuitive system



— Wiser Hub 2nd Generation, Wiser Sensors, Micro Modules and Connected Iconic Devices

— Schneider Charge, PowerTag Energy and PowerTag Control

Wiser Hub 2nd Generation

The Wiser Hub 2nd Generation is the centre of the system, processing control requests and status reports for connected devices. With a personal account and the Wiser Home app on a mobile phone, users can control the Wiser devices in their home from any location where the internet is available.

Devices

A range of devices is available to provide convenient control of:

- Room Lighting
- Blinds and Shutters
- EV charger
- Appliances
- AC Ceiling Fans
- Electric Hot Water systems, Pool pumps

Sensors are also available to record and report the following:

- Motion detection
- Ambient light level
- Window/door open or closed
- Temperature and humidity
- Water leakage
- Smoke detection
- Consumption of energy sources and loads

Wiser System Architecture

Wiser solutions use connected devices which leverage Zigbee technology, making them flexible and scalable.

Zigbee Mesh System

Zigbee is an international wireless standard that allows broad-based preparation of wireless networks which are cost-effective and offer low-power solutions.



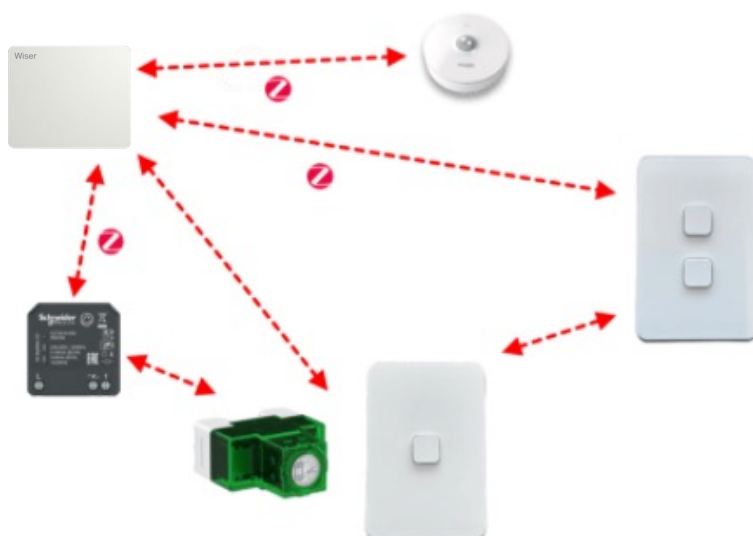
- Zigbee is a mesh network topology meaning that there are alternative paths for the information to go between two nodes in the network.
- Zigbee devices consume very little power and offer a very long battery life.
- Zigbee devices operate in networks, with paths spanning between 10 and 100 meters. (Range may be impacted by environment).

Mains powered Zigbee devices like Switches, Micro Modules, and Sockets act as signal repeaters or routing nodes, relaying the information sent by other devices and increasing coverage.

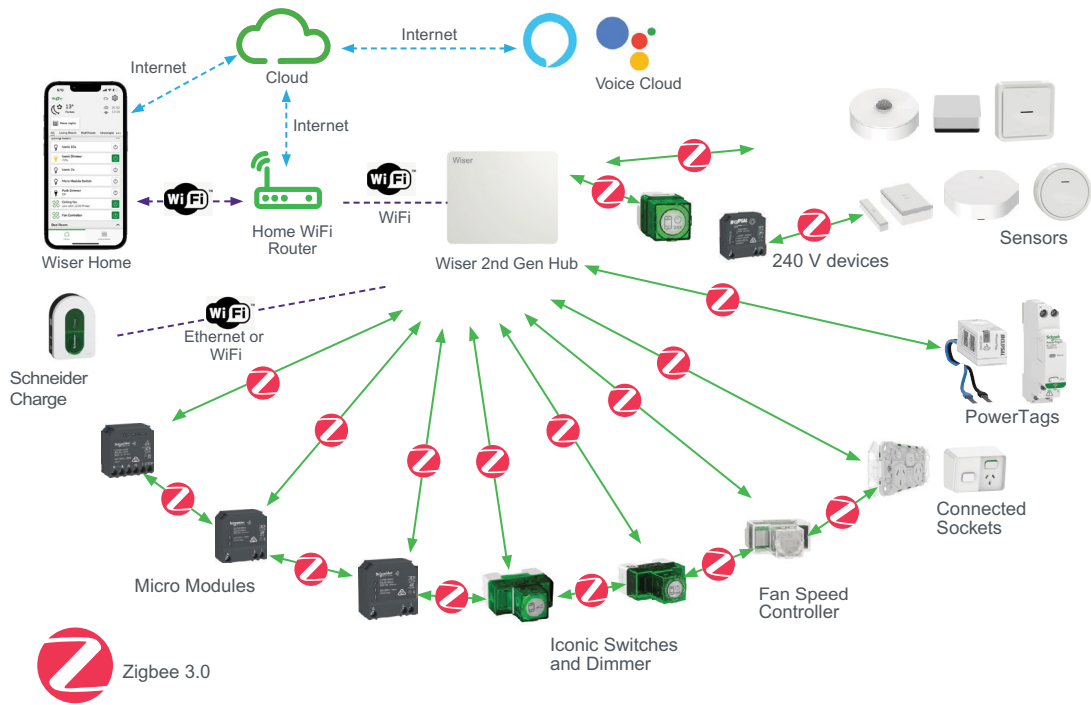
A Zigbee mesh network also has the following characteristics:

- Full redundancy for routing nodes
- Self-configuring
- Spontaneous re-routing when one or more links are down
- Spontaneous re-routing in cases of traffic congestion

Zigbee Mesh network example



Zigbee System Topology



Wiser Home App

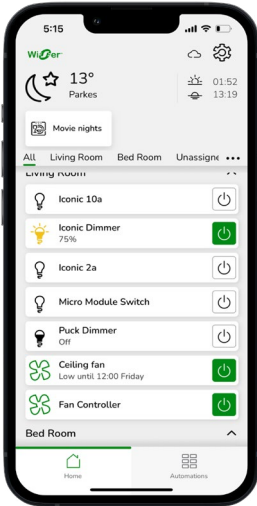
The Wiser Home app allows you to control, wherever you are, all the connected devices with a smartphone or a tablet. The app is also compatible with the latest technologies such as Amazon's Alexa or Google Assistant. Your smartphone or tablet then becomes the energy dashboard for your home.



Wiser Home App

Designed for commissioning and controlling Wiser Home devices

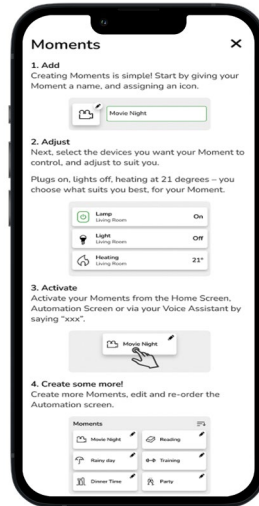
The Wiser Home app turns your smartphone into an all-purpose tool for simple off line commissioning and intuitive smart home and energy management control. Your customers can adjust settings and control their Wiser Home from anywhere, for greater comfort, convenience and energy efficiency.



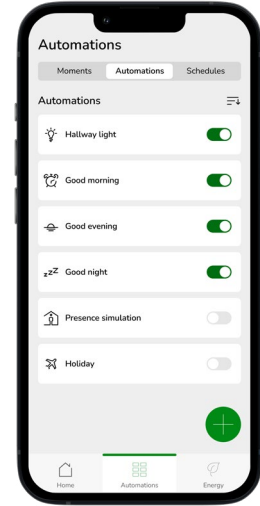
Multiple functions at hand



Easy off-line commissioning



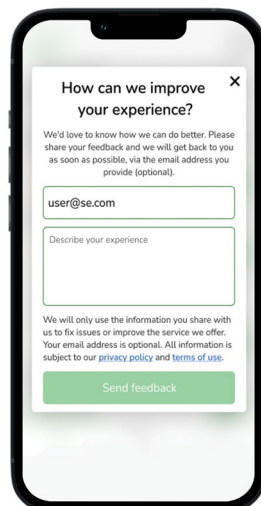
Intuitive creation of moments



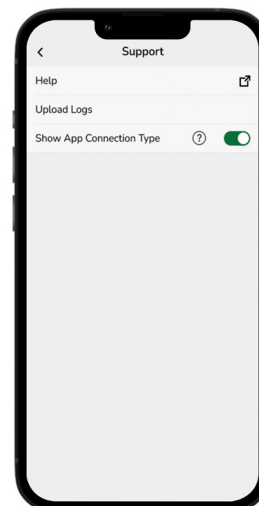
Automations



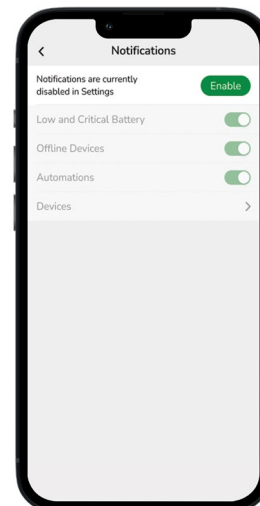
'What's new' section



Ratings and comments






Quick support



Easy selection and setup of notifications

Download the Wiser Home app



 GET IT ON Google Play

 Available on the App Store

Download Wiser for Android Download Wiser for iOS

Wiser Hub 2nd Generation

The Wiser Hub 2nd Generation provides a Wi-Fi and internet connection to Wiser devices.

Key specifications of Wiser Hub 2nd Generation:

- Living Space Hub for Wiser Home. Key device to control Wiser Home automation and energy management devices
- Bringing all of the home's data together via Zigbee, for a reliable connection between the different devices (switches, sensors, etc.)
- Connect to the home network via Wi-Fi 2.4 GHz
- Provides secure cloud connectivity allowing Voice assistant integration and control from anywhere in the world
- USB-C powered
- Connects up to 63 Zigbee home automation devices* + 20 PowerTags
- Supports up to 20 Moments and 10 Automations
- Energy management capability – must be located within 3 meters of PowerTag Energy and PowerTag Control
- Offline commissioning for installer

* Device limits apply per device type: e.g. up to 32 lighting devices



Wiser™
Wiser Hub
 Hub 2nd Generation



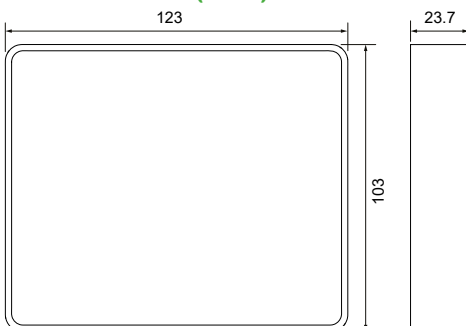
The Wiser Hub 2nd Generation is the central control unit of the Wiser Home system. It monitors and controls the devices of your home via the Wiser Home app.



Wiser Hub 2nd Generation

Identification	
Commercial reference	CLP502WH
Supported protocol	Zigbee
Product colour	White
Product or component type	Hub
Power supply	
Input voltage	100 - 240 V AC, 50/60 Hz, 0.3 A max.
Output voltage	5.0 V DC, 2 A, 10 W
Output connector	USB-C
Characteristics	
Nominal voltage	AC 100-240 V, 50/60 Hz
Rated voltage	5.0 V DC
Power consumption	Load: 5 W Standby: 1 W
Communication	
Radio technology	Wi-Fi®: 2.4 GHz, IEEE802.11 b/g/n Zigbee: 2.4 GHz, IEEE802.15.4
Environment	
IP degree	IP20
Operating temperature	0 °C to 45 °C, indoor use only.
Storage temperature	-20 °C to 65 °C
Relative humidity	10 % to 90 %, non-condensing
Ball pressure test temperature	85 °C
Software class	A
Installation	
Dimensions (H × W × D)	103 × 123 × 23.7 mm
Mounting	84 mm mounting holes for wall mount
Certification	
	Zigbee 3.0, RCM
Compliance	
Safety	AS/NZS 62368.1:2018, EN 62311:2018
EMC	EN 55032
RF	<ul style="list-style-type: none"> EN 300 328 V2.2.2 AS 2772.2:2016+A1:2018

Dimensions (mm)



Note:

Download the Wiser Home app to your smartphone, and install the Wiser Hub 2nd Generation to configure and control Wiser devices. You can use the app to pair, set up and control Wiser devices. The Wiser Home app is available in the App stores for smartphones supporting operating systems Android™ OS (version 7 and above) or Apple® iOS (version 11 and above).

For more detailed information, refer to the Wiser User Guides online. Scan the QR code or follow the link: https://www.productinfo.schneider-electric.com/wiser_home_pacific



Lighting, Dimmer, and Blind Controls

From the Wiser Home app, personalize the functions and lighting ambiances of your customer's home depending on their needs.

Control lighting locally or remotely:

- turn down the lights gradually to fall asleep,
- program according to sunrise,
- prepare a subdued atmosphere when inviting friends at home, and when sunset comes, the light on the front door will turn ON automatically.

Wiser can also simulate a realistic presence when your customers are away. With the Wiser Home app, schedule the opening and closing of your motorised blinds and curtains at defined periods.

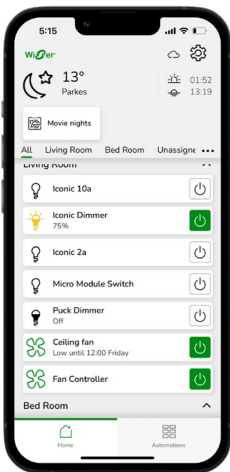
For even more flexibility, use voice to control your system by Alexa or Google virtual assistants.



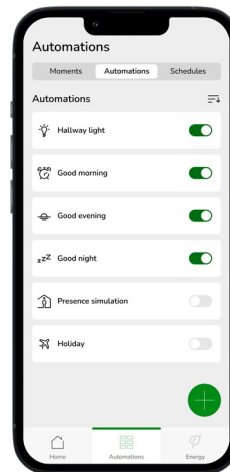


Enhanced comfort and energy savings with blind, dimmer, and lighting control

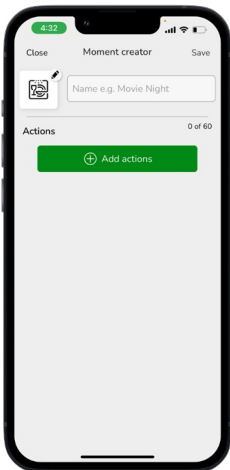
With convenient control of lighting and roller blinds, Wiser helps your customers save money and increase comfort at home. Create automation scenarios to let the system take care of energy usage or control the system via the Wiser Home app or voice control device, or manually using the wall switch.



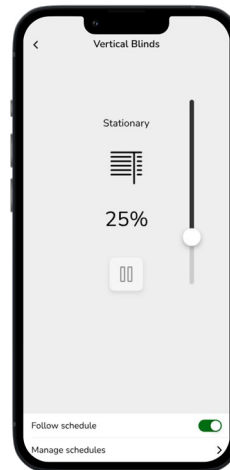
With the Wiser Home app, you can control lighting, and roller blinds remotely to avoid energy waste.



Automate your daily lighting and roller blind (opening/closing) tasks.



With a pre-set 'Moment' Wiser adjusts lighting and blinds to help set mood at dinner or movie time or to simplify life at bedtime or when running out the door to work.



Close your blinds remotely if weather conditions change, for security purposes, or to maintain the temperature inside and save energy on cooling/heating.



The Wiser Micro Module Switch combines the advantages of smart switch functionality with ordinary momentary (bell press) push-button switches. It transforms a conventional push-button switch into a connected device you can control from the switch or through the Wiser Home app. Up to 10 momentary push-button switches can be connected to one Wiser Micro Module Switch to control a connected load. With voltage free relay contacts, it is suitable for a wide range of applications.



Wiser Micro Module Switch

Identification

Commercial Reference	CLP5011WSZ
Product colour	Grey
Product or component type	Micro Module

Power

Nominal voltage	220-240 V AC, 50/60 Hz
Nominal current	10 AX
Switching	1 switching channel with dry contact

Maximum load

LED lamp 230 V	200 W	
Incandescent lamp 230 V	2200 W	
Halogen lamp 230 V	2000 W	
LV halogen lamps	electronic transformer	1050 VA
	ferromagnetic transformer	500 VA
Capacitive load	10 A, 140 µF	
Energy-saving lamps	100 W	
Motor	1000 VA	
Room heater	1500 W	
Electric boiler	2000 W	

Characteristics

Direct operation	Operate the Wiser Micro Module Switch via a connected momentary push button (up to 10 push buttons can be connected)
Remote operation via Wiser Home app	<ul style="list-style-type: none"> Operate the Wiser Micro Module Switch using the Wiser Home app on your smartphone (the Micro Module needs to be paired to the Wiser Hub 2nd Generation) Set a time schedule via the Wiser Home app

Environment

IP rating	IP20
Operating temperature	-10 °C to 50 °C
Operating humidity	10 % to 95 % RH, non-condensing

Installation

Dimensions (H × W × D)	43 × 43 × 22 mm
Installation method	Mount in wall box with a minimum depth of 26 mm. Notes: <ul style="list-style-type: none"> If you place the Micro Module directly behind the external push button, use a deep wall box Neutral conductor required

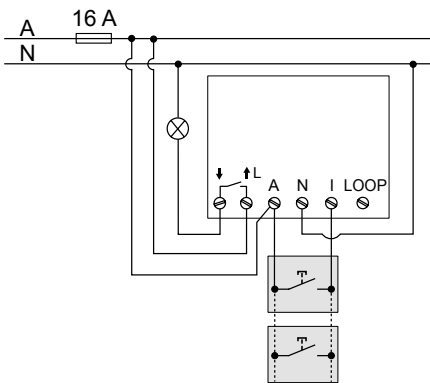
Certification

Zigbee 3.0, RCM

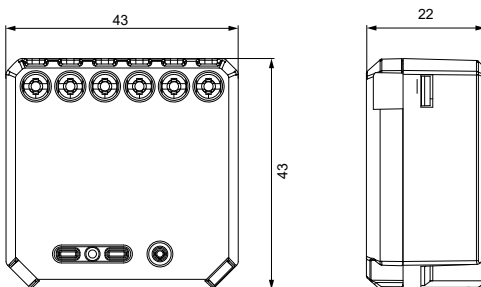
Compliance

Safety	IEC 60669-2-5
EMC	IEC 60669-2-1
RF	AS/NZS 4268, EN 62479

Wiring diagram



Dimensions (mm)



Note:

Download the Wiser Home app to your smartphone, and install the Wiser Hub 2nd Generation to configure and control Wiser devices. You can use the app to pair, set up and control Wiser devices. The Wiser Home app is available in the App stores for smartphones supporting operating systems Android™ OS (version 7 and above) or Apple® iOS (version 11 and above).

For more detailed information, refer to the Wiser User Guides online. Scan the QR code or follow the link: https://www.productinfo.schneider-electric.com/wiser_home_pacific





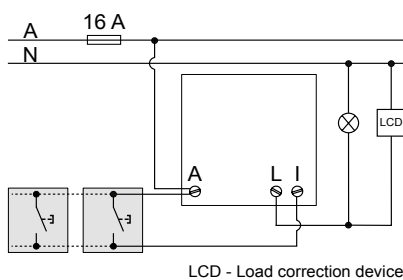
The Wiser Micro Module Dimmer combines the advantages of smart dimmer functionality with ordinary momentary (bell press) push-button switches. It transforms a conventional push-button switch into a connected device you can control from the switch or through the Wiser Home app. Up to 10 momentary push-button switches can be connected to one Wiser Micro Module Dimmer to control a dimmable load. The device can switch and dim ohmic, inductive, or capacitive loads.



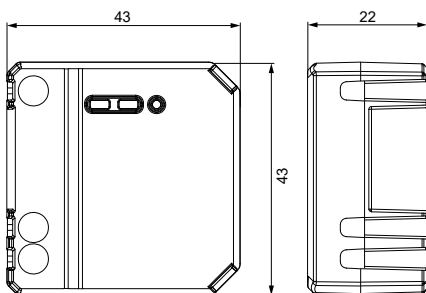
Wiser Micro Module Dimmer

Identification					
Commercial Reference	CLP5010WDZ				
Product colour	Grey				
Product or component type	Micro Module				
Power					
Nominal voltage	220-240 V AC, 50/60 Hz				
Dimming	1 dimming channel				
Maximum load					
LED lamp 230 V	RC ⁽¹⁾ : 5 to 100 W RL ⁽²⁾ : 5 to 20 W Note: a 31LCDA may be required for some LED loads				
Incandescent lamp 230 V	14 to 200 W				
Halogen lamp 230 V	14 to 150 W				
LV halogen lamps	<table border="0"> <tr> <td>dimmable electronic transformer</td> <td>14 to 200 VA</td> </tr> <tr> <td>dimmable ferromagnetic transformer</td> <td>14 to 150 VA</td> </tr> </table>	dimmable electronic transformer	14 to 200 VA	dimmable ferromagnetic transformer	14 to 150 VA
dimmable electronic transformer	14 to 200 VA				
dimmable ferromagnetic transformer	14 to 150 VA				
Characteristics					
Micro module	<ul style="list-style-type: none"> Automatic load detection Brightness memory function Soft start, soft stop Electronic overload protection, overheating protection, short-circuit protection 				
Direct operation	Operate the Wiser Micro Module Dimmer via a connected momentary push button (up to 10 push buttons can be connected)				
Remote operation via Wiser Home app	<ul style="list-style-type: none"> Operate the Wiser Micro Module Dimmer using the app on your smartphone (the micro module needs to be paired to the Wiser Hub 2nd Generation) Set the switch-on brightness or memory function (default setting) Set the dimming range: minimum and maximum brightness Set the LED operating mode manually (RL LED mode) Set a time schedule via the Wiser Home app 				
Environment					
IP rating	IP20				
Operating temperature	-10 °C to 50 °C				
Operating humidity	10 % to 95 % RH, non-condensing				
Installation					
Dimensions (H × W × D)	43 × 43 × 22 mm				
Installation method	Mount in wall box with a minimum depth of 26 mm. Note: If you place the Micro Module directly behind the external push button, use a deep wall box.				
Certification					
	Zigbee 3.0, RCM				
Compliance					
Safety	AS/NZS 60669.2.1				
EMC	IEC 60669-2-1				
RF	AS/NZS 4268, EN 62479				

Wiring diagram



Dimensions (mm)



Note:

Download the Wiser Home app to your smartphone, and install the Wiser Hub 2nd Generation to configure and control Wiser devices. You can use the app to pair, set up and control Wiser devices. The Wiser Home app is available in the App stores for smartphones supporting operating systems Android™ OS (version 7 and above) or Apple® iOS (version 11 and above).

(1) RC = Resistive and Capacitive loads.

(2) RL = Resistive and Inductive loads.

For more detailed information, refer to the Wiser User Guides online. Scan the QR code or follow the link: https://www.productinfo.schneider-electric.com/wiser_home_pacific

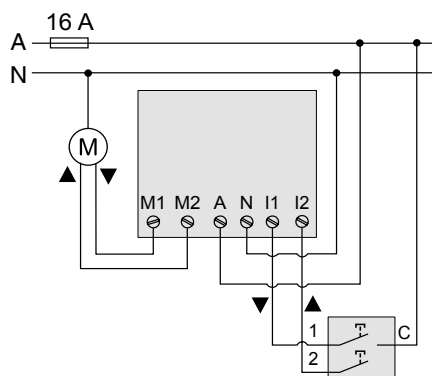




The Wiser Micro Module Blind Controller combines the advantages of smart blind control functionality with ordinary momentary (bell press) push-button switches. Provides control of motorised blinds either from momentary switches, voice command or Wiser Home app. Up to 10 double momentary push-button switches or 3 position switches can be connected to one Wiser Micro Module Blind Controller to control a connected blind or roller shutter. The Blind Control Micro Module is designed to control 240 V twin active blind and shutter motors equipped with an end position switch. Relay contacts mechanically locked against each other help to prevent simultaneous triggering of the two relay outputs.

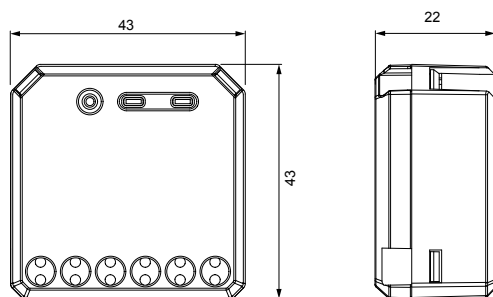


Wiring diagram



Push button: 1 x Momentary 3-position switch

Dimensions (mm)



Note:

Download the Wiser Home app to your smartphone, and install the Wiser Hub 2nd Generation to configure and control Wiser devices. You can use the app to pair, set up and control Wiser devices. The Wiser Home app is available in the App stores for smartphones supporting operating systems Android™ OS (version 7 and above) or Apple® iOS (version 11 and above).

Wiser Micro Module Blind Controller

Identification	
Commercial Reference	CLP5015WBZ
Product colour	Grey
Product or component type	Micro Module
Power	
Nominal voltage	220-240 V AC, 50/60 Hz
Nominal current	4 A, $\cos \varphi = 0.6 - 1.0$
Channel	1 blind channel, mechanically and electronically locked against each other
Maximum load	
Motor	960 VA
Characteristics	
Micro module	Protection of the motor against damage with two mutually mechanically and electronically locked relay contacts
Direct operation	Operate the Wiser Micro Module Blind Controller via a connected double momentary push button or 3 position switch (up to 10 can be connected in parallel).
Remote operation via Wiser Home app	<ul style="list-style-type: none"> Operate the Wiser Micro Module Blind Controller using the app on your smartphone (the micro module needs to be paired to the Wiser Hub 2nd Generation) Set the running time Set a time schedule via the Wiser Home app
Environment	
IP rating	IP20
Operating temperature	-10 °C to 50 °C
Operating humidity	10 % to 95 % RH, non-condensing
Installation	
Dimensions (H x W x D)	43 x 43 x 22 mm
Installation method	Mount in wall box with a minimum depth of 26 mm. Notes: <ul style="list-style-type: none"> If you place the micro module directly behind the external push button, use a deep wall box. Neutral conductor required
Certification	
	Zigbee 3.0, RCM
Compliance	
Safety	AS/NZS 60669.2.1
EMC	IEC 60669-2-1
RF	EN 300 328

For more detailed information, refer to the Wiser User Guides online. Scan the QR code or follow the link: https://www.productinfo.schneider-electric.com/wiser_home_pacific

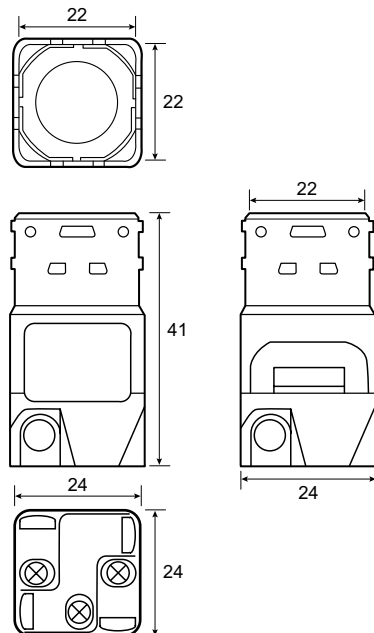




The multi-award-winning Iconic Connected 2 AX switch is ideal for controlling LED lighting loads and exhaust fans. The small housing with integrated terminals allows quick installation into 6-Gang plates and standard wall boxes. The product comes in a 3-wire design and requires a neutral. The subtle warm white status LED indicator mode can be customized using the Wiser Home app. When connected to the Wiser Hub 2nd Generation, the switch can be integrated into Moment and Automations, or simply be operated as a time scheduler. It can be controlled through the push button on the wall, remotely using the Wiser Home app, or voice command.



Dimensions (mm)

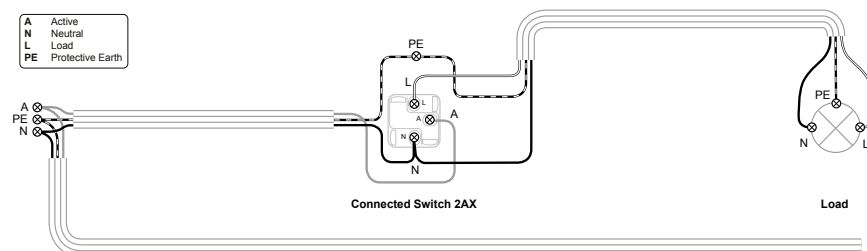


Iconic Connected Switch 2 AX

Identification	
Commercial Reference	41E2PBSWMZ-VW
Supported protocols	Zigbee 3.0
Product colour	Vivid White
Product or component type	Connected Mechanism
Power	
Operating voltage	220–240 V AC, 50 Hz
Switching technique	Relay
Maximum load	
Resistive load (e.g. incandescent lighting)	2 A
MV halogen load	
Electronic LV lighting transformers	
LED lighting drivers	
Linear fluorescent ballasts	2 A @ 0.6 pF
Inductive load (e.g. exhaust fan)	
M-rating	M.8
Characteristics	
Mechanism	<ul style="list-style-type: none"> Over-temperature and thermal protection LED indicator
Multiway control	No control link available (however can be achievable via automation functions)
Environment	
IP rating	IP20
Operating humidity	5 % – 90 % RH, non-condensing
Operating temperature	0 °C to 45 °C
Installation	
Suitable wall box	Standard
Compatible plate ranges	Iconic, Iconic Styl, Iconic Essence, Pro Series
Multi-gang plate capacity	Max. 6 primary mechs per plate
Certification	
	Zigbee 3.0, RCM
Compliance	
Safety	AS/NZS 60669.2.1
EMC	AS/NZS 60669.2.1
RF	AS/NZS 4268, AS 2772.2

Wiring diagram

(Typical installation using Iconic Connected Module)



reddot winner 2021



For more detailed information, refer to the Wiser User Guides online. Scan the QR code or follow the link: https://www.productinfo.schneider-electric.com/wiser_home_pacific



Note:

Download the Wiser Home app to your smartphone, and install the Wiser Hub 2nd Generation to configure and control Wiser devices. You can use the app to pair, set up and control Wiser devices. The Wiser Home app is available in the App stores for smartphones supporting operating systems Android™ OS (version 7 and above) or Apple® iOS (version 11 and above).



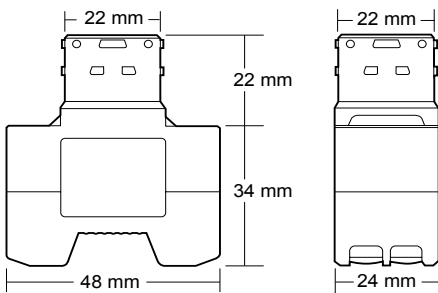
Download
Wiser Home app



The Iconic Connected Switch 10 AX is suitable for controlling a wide variety of loads. The housing with integrated terminals allows quick installation into 1-3 gang plates and deep wall boxes. The product comes in a 3-wire design and requires a neutral. ControlLink provides the option of hard-wired multiway switching. The subtle warm white status LED indicator mode can be customized using the Wiser Home app. When connected to the Wiser Hub 2nd Generation, the switch can be integrated into Moments and Automations or simply be operated as a time scheduler. It can be controlled through the push button on the wall, remotely using the Wiser Home app, or voice command.



Dimensions (mm)



Wiring diagram

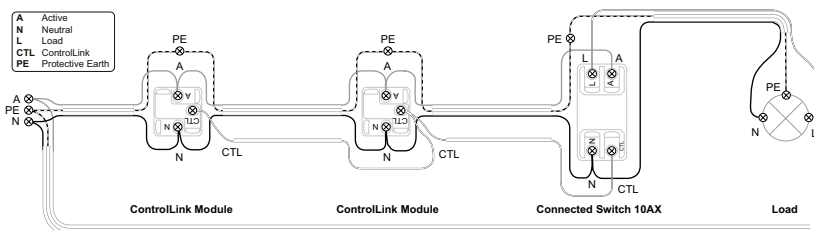
(Typical 3-way installation using Iconic Connected Module)

Note:

Set the ControlLink Module to Switch mode - see ControlLink Module instructions.

Note:

- All Active connections must be on the same phase.
- Up to 5-way switching (e.g. 1x 10AX Switch plus up to 4x ControlLink Modules, or up to 3x 10AX Switches plus 2x ControlLink Modules). In case of multiple 10AX Switches being installed, each switch must be connected to a separate load.
- Total length of CTL and Active loop: max. 50 m.
- Control and load cables must not be coupled.



Note:

Download the Wiser Home app to your smartphone, and install the Wiser Hub 2nd Generation to configure and control Wiser devices. You can use the app to pair, set up and control Wiser devices. The Wiser Home app is available in the App stores for smartphones supporting operating systems Android™ OS (version 7 and above) or Apple® iOS (version 11 and above).

Iconic Connected Switch 10 AX

Identification	
Commercial Reference	41E10PBSWMZ-VW
Supported protocols	Zigbee 3.0
Product colour	Vivid White
Product or component type	Connected Mechanism
Power	
Operating voltage	220 – 240 V AC, 50 Hz
Switching technique	Relay
Maximum load	
Resistive load (e.g. incandescent lighting)	15 A
MV halogen load	10 A
Electronic LV lighting transformers	
LED lighting drivers	
Linear fluorescent ballasts	
Inductive load (e.g. exhaust fan)	6 A @ 0.6 pF
M-rating	M.40
Characteristics	
Mechanism	<ul style="list-style-type: none"> • Over-temperature and thermal protection • LED indicator
Multiway control	<ul style="list-style-type: none"> • Via ControlLink (up to 5-way switching) • Total length of CTL and Active loop: max. 50 m
Environment	
IP rating	IP20
Operating humidity	5 % – 90 % RH, non-condensing
Operating temperature	0 °C to 45 °C
Installation	
Suitable wall box	Deep
Compatible plate ranges	Iconic, Iconic Styl, Iconic Essence, Pro Series
Multi-gang plate capacity	Max. 3 primary mechs per plate (can be also mounted in the centre of a 5 gang plate)
Certification	
	Zigbee 3.0, RCM
Compliance	
Safety	AS/NZS 60669.2.1
EMC	AS/NZS 60669.2.1
RF	AS/NZS 4268, AS 2772.2

For more detailed information, refer to the Wiser User Guides online. Scan the QR code or follow the link: https://www.productinfo.schneider-electric.com/wiser_home_pacific

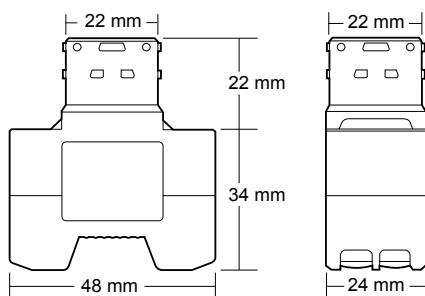




The Iconic Connected Dimmer provides smooth, full range LED dimming control. The housing with integrated terminals allows quick installation into 3-Gang plates and deep wall boxes. The product comes in a 3-wire design and requires a neutral. ControlLink provides the option for hard-wired multiway dimming. The subtle warm white status LED indicator mode can be customized using the Wiser Home app. When connected to the Wiser Hub 2nd Generation, the dimmer can be integrated into Moments and Automations or simply be operated as a timed or time-scheduled dimmer. It can be controlled through the push button on the wall, remotely using the Wiser Home app, or voice command.



Dimensions (mm)



Wiring diagram

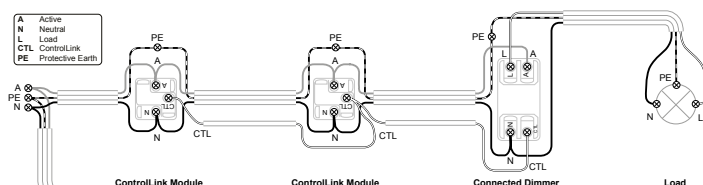
(Typical 3-way installation using Iconic Connected Module)

Note:

Control Link Module work with the Connected Dimmer out-of-the-box.

Note:

- All Active connections must be on the same phase.
- Up to 5-way dimming (e.g. 1x Dimmer plus up to 4x Control Link Modules, or up to 3x Dimmers plus 2x Control Link Modules).
- In case of multiple Dimmers being installed, each Dimmer must be connected to a separate load.
- Total length of CTL and Active loop: max. 50 m.
- Control and load cables must not be coupled.



Note:

Download the Wiser Home app to your smartphone, and install the Wiser Hub 2nd Generation to configure and control Wiser devices. You can use the app to pair, set up and control Wiser devices. The Wiser Home app is available in the App stores for smartphones supporting operating systems Android™ OS (version 7 and above) or Apple® iOS (version 11 and above).

Iconic Connected Dimmer

Identification

Commercial Reference	41EPBDWCLMZ-VW
Supported protocols	Zigbee 3.0
Product colour	Vivid White
Product or component type	Connected Mechanism

Power

Operating voltage	220–240 V AC, 50 Hz
-------------------	---------------------

Maximum load

Limits	No minimum load required Max. 300 W
--------	--

Dimmable LED	150 W
Dimmable compact fluorescent	300 W
240 V incandescent/halogen	
LV halogen with electronic transformer	

Non-dimmable LED	Not compatible
Non-dimmable compact fluorescent	Not compatible

Characteristics

Mechanism	<ul style="list-style-type: none"> • Over-temperature, short circuit and overcurrent/thermal fuse protection • LED indicator • LED indicator flashes in the event of load disconnection or failure
Dimming range	Min. 0 %, Max. 100 % (depending on load)
Multiway control	<ul style="list-style-type: none"> • Via ControlLink (up to 5-way dimming using max. 3 x Iconic Connected Dimmers and remainder ControlLink modules) • Total length of CTL and Active loop: max. 50 m

Environment

IP rating	IP20
Operating humidity	5 % – 90 % RH, non-condensing
Operating temperature	0 °C to 45 °C

Installation

Suitable wall box	Deep
Compatible plate ranges	Iconic, Iconic Styl, Iconic Essence, Pro Series
Multi-gang plate capacity	Max. 3 primary mechs per plate

Certification

Zigbee 3.0, RCM

Compliance

Safety	AS/NZS 60669.2.1
EMC	AS/NZS 60669.2.1
RF	AS/NZS 4268, AS 2772.2

For more detailed information, refer to the Wiser User Guides online. Scan the QR code or follow the link: https://www.productinfo.schneider-electric.com/wiser_home_pacific

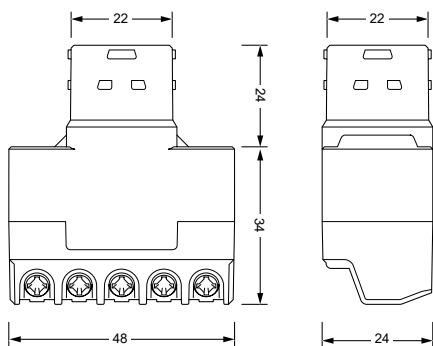




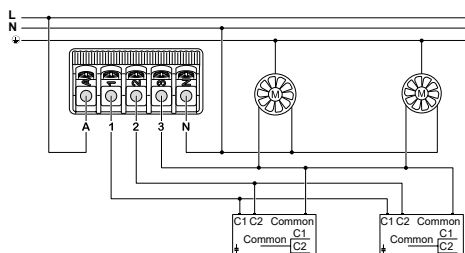
The Iconic Connected AC Fan Speed Controller provides 3-speed control of 240 V AC ceiling fans. Controlling up to 2 ceiling fans, it offers added flexibility. The subtle, warm-white status LED indicates the fan speed and can be adjusted using the Wiser Home app. Available in Zigbee mode for connection with the Wiser Hub 2nd Generation. When used with the Wiser Hub 2nd Generation the fan controller can be integrated into moments and automations. It can be controlled through the push button on the wall, remotely using the Wiser Home app or voice command.



Dimensions (mm)



Wiring diagram



Note:

Download the Wiser Home app to your smartphone, and install the Wiser Hub 2nd Generation to configure and control Wiser devices. You can use the app to pair, set up and control Wiser devices. The Wiser Home app is available in the App stores for smartphones supporting operating systems Android™ OS (version 7 and above) or Apple® iOS (version 11 and above).

Iconic Connected AC Fan Speed Controller

Identification	
Commercial Reference	41ECSFWMZ-VW
Supported protocols	Zigbee 3.0
Product or component type	Fan speed controller
Power	
Operating voltage	220–240 V AC, 50 Hz
Load rating	Total max. 150 W
Switching technique	Relay
Protection	
Over Temperature	Yes
Thermal protection	Yes
Fan control type	3 speed (utilises capacitor provided with fan)
Characteristics - 41ECSFWMZ-VW	
Operating frequency	2.405 GHz to 2.48 GHz
Max. radio-frequency power transmitted	< 10 mW
LED Indicator	Yes
Environment	
IP degree of protection	IP20
Operating humidity	5 % – 90 % RH, non-condensing
Operating temperature	-10 °C to +50 °C
Installation	
Installation method	Install the device only indoors or in sufficiently protected housing. Fit the fan controller to the grid, then mount the grid and install the skin.
Compatible plate ranges	Iconic, Iconic Styl, Iconic Essence, Pro Series
Mounting Centres	84 mm pattern plate
Multi-gang plate capacity	Max. 3 primary fan controllers per plate
Package content	Fan controller and Iconic Push-button assembly (vivid white)
Certification	
	Zigbee 3.0, RCM
Compliance	
Safety	AS/NZS 60669.2.1
EMC	AS/NZS 60669.2.1
RF	AS/NZS 4268, AS 2772.2

For more detailed information, refer to the Wiser User Guides online. Scan the QR code or follow the link: https://www.productinfo.schneider-electric.com/wiser_home_pacific



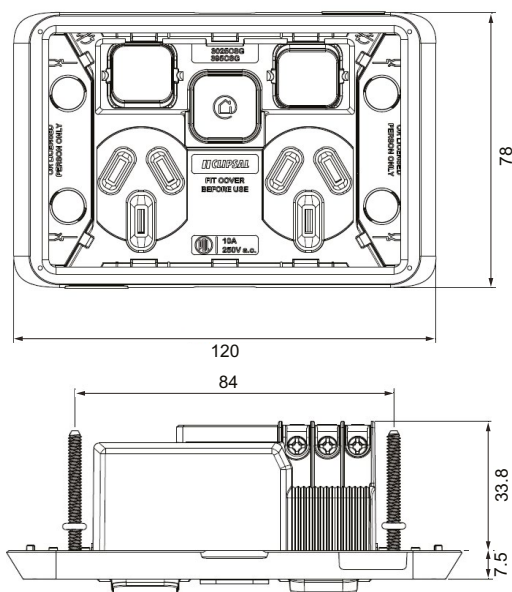


The Iconic Connected Twin 10 A Socket provides app controlled switching of plug-in appliances using the Wiser Home app. When connected to the Wiser Hub 2nd Generation, the socket can be integrated into Moments and Automations or simply be operated with a time-scheduled output. When the manual switch on the socket is in the Smart position, the socket can be controlled remotely.

Note: This product is supplied as a grid only. A range of skins in various styles and colours are available for separate purchase.



Dimensions (mm)



Iconic Connected Twin 10 A Socket

Main data

Commercial Reference	3025CSGZ
Supported protocol	Zigbee 3.0
Product colour	Vivid White
Product or component type	Connected Socket

Power

Operating voltage	240 V AC, 50 Hz
-------------------	-----------------

Maximum load

Max. load rating	10 A
------------------	------

Characteristics

Indicator	LED indicator
-----------	---------------

Environment

IP rating	IP20
Operating humidity	5 % – 90 % RH, non-condensing
Operating temperature	0 °C to 45 °C

Installation

Compatible wall box and bracket ranges	<ul style="list-style-type: none"> • 155 • 155NA • 157 • 157PRM • 157/1PRMD • 157/1F
--	--

Compatible skins

(to be ordered separately)	<ul style="list-style-type: none"> • 3025CSC-VW (Iconic, Vivid White) • 3025CSC-CY (Iconic, Cool Grey) • 3025CSC-AN (Iconic, Anthracite) • S3025CSC-SV (Iconic Styl, Silver) • S3025CSC-CE (Iconic Styl, Crowne) • S3025CSC-SH (Iconic Styl, Silver Shadow) • E3025CSC-AW (Iconic Essence, Arctic White) • E3025CSC-AG (Iconic Essence, Ash Grey)
----------------------------	---

Certification

	Zigbee 3.0, RCM
--	-----------------

Compliance

Safety	<ul style="list-style-type: none"> • AS/NZS 3112 • AS/NZS 60669.2.1 • AS/NZS 3133
EMC	AS/NZS 60669.2.1
RF	AS/NZS 4268, AS 2772.2

Note:

Download the Wiser Home app to your smartphone, and install the Wiser Hub 2nd Generation to configure and control Wiser devices. You can use the app to pair, set up and control Wiser devices. The Wiser Home app is available in the App stores for smartphones supporting operating systems Android™ OS (version 7 and above) or Apple® iOS (version 11 and above).

For more detailed information, refer to the Wiser User Guides online. Scan the QR code or follow the link: https://www.productinfo.schneider-electric.com/wiser_home_pacific



Technical Characteristics

Iconic Connected Devices



Download

Wiser Home app



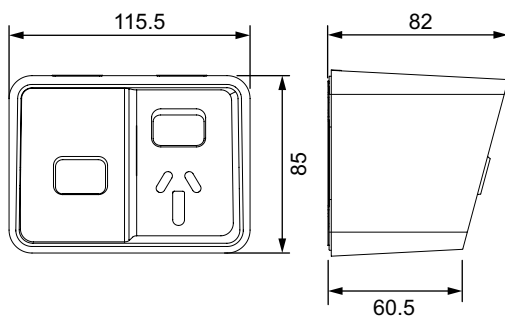
The Iconic Outdoor Connected Socket operates as a switch and a switched socket outlet 'out-of-the-box' with no configuration needed. Ideal for use with the equipment you only want to run at specific times, the Iconic Outdoor Connected Socket rated 10 A, 250 V.



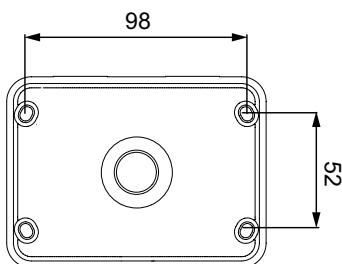
Iconic Outdoor Connected Socket

Identification	
Commercial reference	O3015T-XW O3015T-BK
Product or component type	Switched socket
Product colour	Extra White (XW), Black (BK)
Range	Iconic Outdoor
Power	
Rating	10 A, 250 V AC, 50 Hz
Characteristics	
Outlet poles configuration	1P + E with shutter
Provided equipment	Frame, Grid plate, and Skin
Fixing mode	Frame - By screws (horizontal) Skin, Grid, and Frame - Clip together
Number of power socket outlets	1
Control type	ON/OFF Switch, Wiser Home app
Number of rockers	1
Number of conduit entries	5 x, Ø20/Ø25, Rigid or Flexible
Surface finish	Matt
M-Rating (Locked rotor current)	M40
Electrical durability	12000 operating cycles to AS/NZS 3133
Mechanical durability	20000 plugging operating cycles
Connections - terminals	3 x screw terminals
Screwdriver shape	Phillips No 2, Square drive No 1 (SQ1)
Clamping connection capacity	3 × 2.5 mm ² , 2 × 4.0 mm ²
Wire stripping length	16 mm
Standards	AS/NZS 3112, AS/NZS 60669.2.1
IP degree of protection	IP54
Installation	
Dimensions (H × W × D)	85 × 115 × 82 mm
Product weight	0.292 kg
Material	Frame: PC (polycarbonate) and TPE (thermoplastic elastomer) Grid plate : PC (polycarbonate) Shutter : POM (polyoxymethylene) Skin: ABS (acrylonitrile butadiene-styrene)
Device mounting	Surface mount
Environment	
Ambient air temperature for storage	0 °C to 60 °C
Ambient air temperature for operation	0 °C to 45 °C
Relative humidity	10 % – 95 %
Certification	
	RCM
Compliance	
Safety	AS/NZS 3133, AS/NZS 3112

Dimensions (mm)



Mounting centres (mm)



Note:

Download the Wiser Home app to your smartphone, and install the Wiser Hub 2nd Generation to configure and control Wiser devices. You can use the app to pair, set up and control Wiser devices. The Wiser Home app is available in the App stores for smartphones supporting operating systems Android™ OS (version 7 and above) or Apple® iOS (version 11 and above).



For more detailed information, refer to the Wiser User Guides online. Scan the QR code or follow the link: <https://www.productinfo.schneider-electric.com/clipsal/>





Safety and Security Solutions

Wiser safety and security solutions are designed to provide peace of mind. Whether it's heat, humidity, leaks, smoke, or motion, these smart sensors help to ensure that your home is safe and secure, even when you are away.



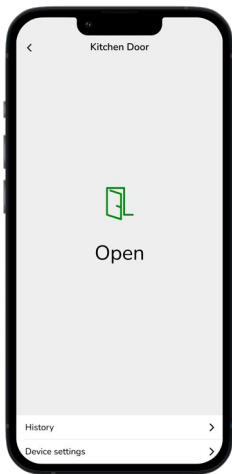


Enhanced safety and security

Wiser sensors are the eyes and ears of your smart home and energy management system. They're unobtrusive and easy to install.

Set up automation scenarios to maximize energy savings and make your home resilient against household accidents and external events.

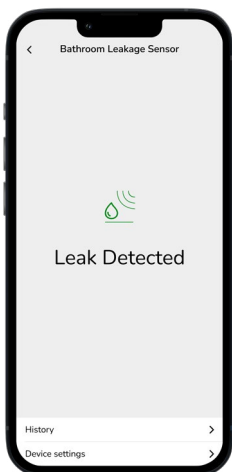
With the Wiser Home app, you get greater peace of mind with improved home safety, thanks to smart sensors that detect unusual movement and situations, and alert the system to notify you.



With a simple tap, you can activate an Away Moment when leaving home and get notified if windows and doors have been left open by mistake.



Wiser notifies you if it detects unexpected presence at home. The system can also simulate your presence by activating roller shutters or lights during your absence.



The water leakage sensors send a notification through the Wiser Home app if leakage is detected, so you can address the issue quickly to avoid damage.



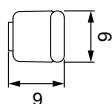
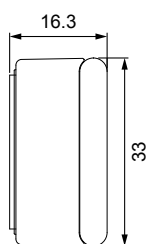
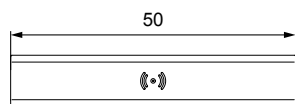
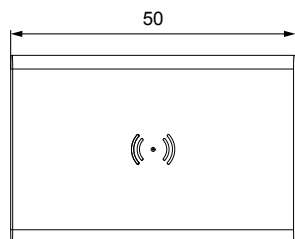
The smoke alarm alerts the occupants about fire incidents. Additionally, an automation scenario can be configured to turn on the lights upon smoke detection, making it easier for occupants to exit.



The Wiser Window/Door Smart Sensor detects opened and closed windows and doors and reports the status to the Wiser Hub 2nd Generation. It consists of two separate parts: a sensor and a magnet. The sensor includes a circuit which detects the magnet when it is in close proximity. When the sensor is connected to the Wiser Hub 2nd Generation and the window/door is opened or closed, the sensor reports the change to the Wiser Hub 2nd Generation.



Dimensions (mm)



Wiser Window/Door Sensor

Identification	
Commercial reference	CLP591011
Product or component type	Sensor
Product colour	White
Power	
Operating voltage	3 V DC (1 lithium button cell battery CR 2450)
Battery life	Up to 5 years (may vary based on the usage, frequency of firmware update and environment)
Environment	
IP rating	IP20
Operating temperature	-10 °C to 50 °C
Operating humidity	10 % to 95 % RH, non-condensing
Installation	
Dimensions (H × W × D)	Sensor: 50 × 33 × 16.3 mm Magnet: 50 × 9 × 9 mm
Installation method	On window and door frames, with screws or adhesive pads
Package content	Sensor, battery (pre-inserted), magnet, mounting base plate, double-sided adhesive pads, 2 screws, and 2 wall plugs
Certification	
	Zigbee 3.0, RCM
Compliance	
Safety	IEC 60669-2-5
EMC	EN 60669-2-1
RF	EN 300 328, EN 62479

For more detailed information, refer to the Wiser User Guides online. Scan the QR code or follow the link: https://www.productinfo.schneider-electric.com/wiser_home_pacific



Note:

Download the Wiser Home app to your smartphone, and install the Wiser Hub 2nd Generation to configure and control Wiser devices. You can use the app to pair, set up and control Wiser devices. The Wiser Home app is available in the App stores for smartphones supporting operating systems Android™ OS (version 7 and above) or Apple® iOS (version 11 and above).



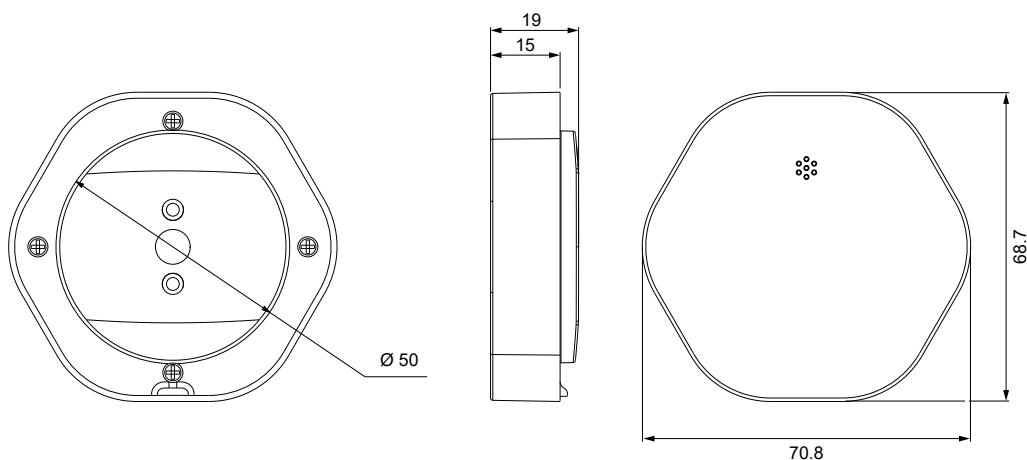
The Wiser Water Leakage Smart Sensor detects the presence of water and alerts via an alarm and/or notification. When the sensor is connected to the Wiser Hub 2nd Generation and detects water on the floor, it sends out a sound alarm and reports the event to the Wiser Hub 2nd Generation. Householders with the Wiser Home app installed on their smartphones can receive a push notification. The sensor should be placed where leaks are most likely to occur: the bottom level of your home or places like basement, kitchen, bathroom, balcony, bedroom, living room, utility room or anywhere you think leaks are possible. The sensor has two sensing pads at the bottom of the body. The pads are in contact with the floor surface when the sensor is placed in its operating position. The alarm activates when water is present between the pads.



Wiser Water Leakage Sensor

Identification	
Commercial Reference	CLP592011
Product colour	White
Product or component type	Sensor
Power	
Operating voltage	3 V DC (2 batteries LR03 AAA)
Battery life	Up to 5 years (may vary based on the usage, frequency of firmware update and environment)
Characteristics	
Sound level	≥70 dB at 3 m distance
Environment	
IP rating	IP44
Operating temperature	-10 °C to 50 °C
Operating humidity	10 % to 95 % RH, non-condensing
Installation	
Dimensions (H × W × D)	70.8 × 68.7 × 19 mm
Installation method	Place in the area of detection with the water sensor facing downwards
Package content	Sensor, 2 batteries (pre-inserted)
Certification	
	Zigbee 3.0, RCM
Compliance	
Safety	IEC 60669-2-5
EMC	EN 60669-2-1
RF	EN 300 328, EN 62479

Dimensions (mm)



Note:

Download the Wiser Home app to your smartphone, and install the Wiser Hub 2nd Generation to configure and control Wiser devices. You can use the app to pair, set up and control Wiser devices. The Wiser Home app is available in the App stores for smartphones supporting operating systems Android™ OS (version 7 and above) or Apple® iOS (version 11 and above).

For more detailed information, refer to the Wiser User Guides online. Scan the QR code or follow the link: https://www.productinfo.schneider-electric.com/wiser_home_pacific

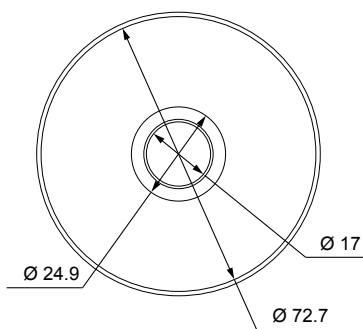
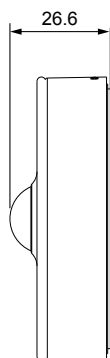
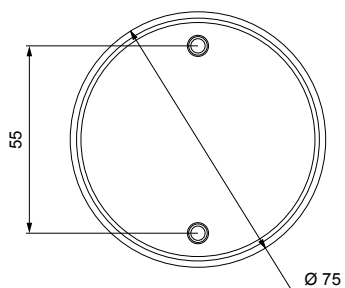




The Wiser Motion Smart Sensor detects movement and measures luminance in a room, reporting the status to the Wiser Hub 2nd Generation. It controls Wiser devices to configure the room for a desired effect. The threshold of luminance settings and/or detection of movement can be programmed to determine what action to be taken at that moment: for example, switch on a lamp controlled by a Wiser switch or dimmer.



Dimensions (mm)



Wiser Motion Sensor

Identification

Commercial Reference	CLP595011
Product colour	White
Product or component type	Sensor

Power

Operating voltage	3 V DC (2 batteries LR03 AAA)
Battery life	Up to 5 years (may vary based on the usage, frequency of firmware update and environment)

Characteristics

Lux measurement range	0 lx to 2000 lx
Lux resolution	1 lx
Accuracy of lux measurement	±50 lx (<100 lx) or ±30 % lx (>100 lx)

Environment

IP rating	IP20
Operating temperature	-10 °C to 50 °C
Operating humidity	10 % to 95 % RH, non-condensing

Installation

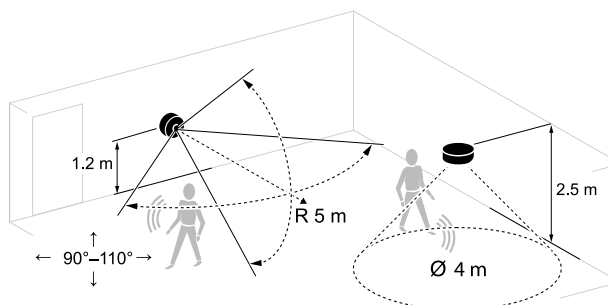
Dimensions (Ø × D)	Ø 75.0 × 26.6 mm
Installation method	Surface-mounting, with screws or adhesive pads, on a ceiling or a wall
Detection range: ceiling mounted	At 2.5 m Detection angle: 360° Detection range: 4 m diameter max.
Detection range: wall mounted	At 1.2 m Detection angle: 90° to 110° horizontal and vertical Detection range: 5 m in radius max.
Package content	Sensor, 2 batteries (pre-inserted), mounting base plate, double-sided adhesive pads, 2 screws, 2 wall plugs, instruction sheet

Certification

Zigbee 3.0, RCM

Compliance

Safety	IEC 60669-2-5
EMC	<ul style="list-style-type: none"> • EN 60730-1 • EN 60730-2-9 • EN 60730-2-13
RF	EN 300 328, EN 62479



For more detailed information, refer to the Wiser User Guides online. Scan the QR code or follow the link: https://www.productinfo.schneider-electric.com/wiser_home_pacific



Note:

Download the Wiser Home app to your smartphone, and install the Wiser Hub 2nd Generation to configure and control Wiser devices. You can use the app to pair, set up and control Wiser devices. The Wiser Home app is available in the App stores for smartphones supporting operating systems Android™ OS (version 7 and above) or Apple® iOS (version 11 and above).



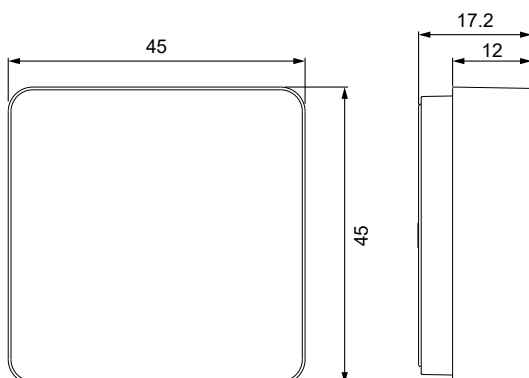
The Wiser Temperature/Humidity Sensor helps to maintain a comfortable environment in the home by detecting changes in temperature and humidity and reporting climate data to the Wiser Hub 2nd Generation.



Wiser Temperature/Humidity Sensor

Identification	
Commercial Reference	CLP593011
Product colour	White
Product or component type	Sensor
Power	
Operating voltage	3 V DC (1 lithium button cell battery CR 2450)
Battery life	Up to 5 years (may vary based on the usage, frequency of firmware update and environment)
Characteristics	
Temperature accuracy	±1.5 °C
Temperature resolution	0.1 °C
Humidity accuracy	±5 %
Environment	
IP rating	IP20
Operating temperature	-10 °C to 50 °C
Operating humidity	10 % to 95 % RH, non-condensing
Installation	
Dimensions (H × W × D)	45 × 45 × 17.2 mm
Installation method	Surface-mounting, with screws or adhesive pads
Package content	Sensor, battery (pre-inserted), mounting base plate, double-sided adhesive pads, 2 screws, 2 wall plugs, instruction sheet
Certification	
	Zigbee 3.0, RCM
Compliance	
Safety	EN 60730-2-9
EMC	<ul style="list-style-type: none"> • EN 60730-1 • EN 60730-2-9 • EN 60730-2-13
RF	EN 300 328, EN 62479

Dimensions (mm)



Note:

Download the Wiser Home app to your smartphone, and install the Wiser Hub 2nd Generation to configure and control Wiser devices. You can use the app to pair, set up and control Wiser devices. The Wiser Home app is available in the App stores for smartphones supporting operating systems Android™ OS (version 7 and above) or Apple® iOS (version 11 and above).

For more detailed information, refer to the Wiser User Guides online. Scan the QR code or follow the link: https://www.productinfo.schneider-electric.com/wiser_home_pacific

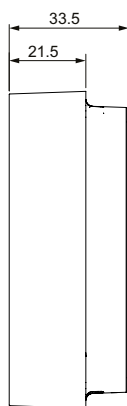
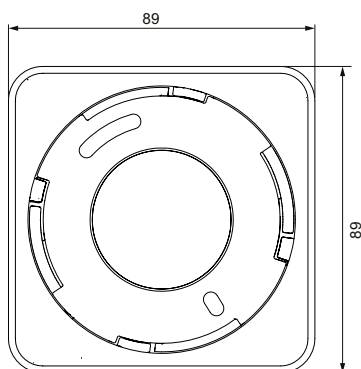




The Wiser Smoke Alarm - Battery combines a photoelectric smoke alarm with smart home functions. Interconnecting with existing wireless Fire Tek® smoke alarms via RF, the Wiser battery powered alarms can be used separately or as part of a Wiser Smart Home System. The Wiser Home app provides push notification alerts if smoke is detected, and automations can also be programmed to turn lights ON or flash to help provide a warning if smoke is detected. The dual spectrum smoke sensing technology helps to mitigate false alarms for added confidence.



Dimensions (mm)



Wiser Smoke Alarm - Battery

Identification	
Commercial Reference	CLP599WSAL
Product colour	White
Product or component type	Sensor
Power	
Operating voltage	3 V DC (Lithium Battery)
Operating current	≤ 40 mA
Battery life	10 years (non replaceable)
Characteristics	
Sensing type	Dual Spectrum Photoelectric. This alarm contains NO radioactive material
Interconnecting	RF, max. 40 devices in one network Wireless interconnection Compatible with the Fire Tek (R) 755LP SMA4 and 755RFB2 RF base
Operating frequency	Zigbee: 2405 - 2480 MHz RF: 433 MHz
Wireless range	Zigbee: 40 m line of sight RF: 50 m line of sight
Horn level	85 dB at 3 m
Hush mode duration	10 minutes
LED brightness levels	High / Low
Alarm memory	72 hours
Temperature for alarm	If temp > 57 °C
Environment	
Operating temperature	0 °C to 45 °C
Ambient humidity	5 % to 95 %
Installation	
Dimensions (H × W × D)	89 × 89 × 33.5 mm
Installation method	Mount on ceiling and wall only
Package content	Wiser Smoke Alarm - Battery, mounting base, 2 screws, 2 wall plugs, primary label, instruction sheet, dust cover
Certification	
	Zigbee 3.0, ActivFire afp-3720, RCM
Compliance	
Safety	<ul style="list-style-type: none"> AS/NZS 60950.1 AS/NZS 60065
EMC	<ul style="list-style-type: none"> EN 301 489-1/-3/-17 EN 50130-4 IEC 62599-2
RF	EN 300 328, EN 300 220-2, EN 62479



reddot winner 2022



For more detailed information, refer to the Wiser User Guides online. Scan the QR code or follow the link: https://www.productinfo.schneider-electric.com/wiser_home_pacific



Note:

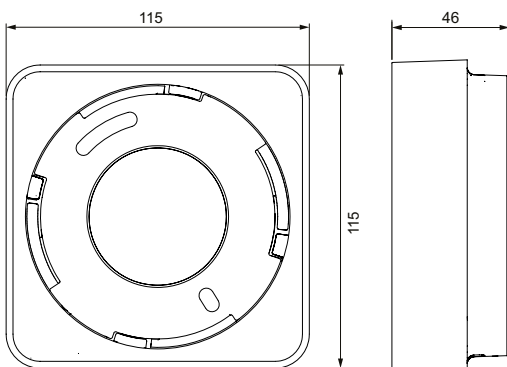
Download the Wiser Home app to your smartphone, and install the Wiser Hub 2nd Generation to configure and control Wiser devices. You can use the app to pair, set up and control Wiser devices. The Wiser Home app is available in the App stores for smartphones supporting operating systems Android™ OS (version 7 and above) or Apple® iOS (version 11 and above).



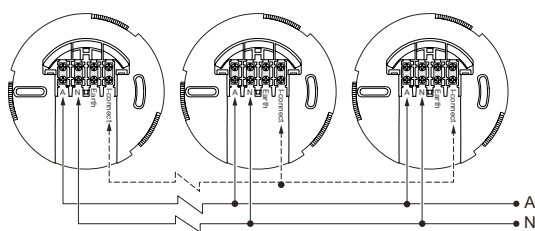
The Wiser Smoke Alarm 240 V Square combines a photoelectric smoke alarm with smart home functions. Interconnecting with existing wireless Fire Tek® smoke alarms via RF or a cabled connection, the Wiser smoke alarms can be used separately or as part of a Wiser Smart Home System. The Wiser Home app provides push notification alerts if smoke is detected, and automations can also be programmed to turn lights ON or flash to help provide a warning if smoke is detected. The dual spectrum smoke sensing technology helps to mitigate false alarms for added confidence.



Dimensions (mm)



Wiring diagram



Wiser Smoke Alarm - 240 V Square

Identification	
Commercial Reference	CLP599WSA
Product colour	White
Product or component type	Sensor
Power	
Power supply	220-240 V AC, 50 / 60 Hz
Operating current	≤ 40 mA
Back up battery life	10 years (non replaceable)
Characteristics	
Sensing type	Photoelectric. This alarm contains NO radioactive material
Interconnecting	RF + Wired, max. 40 devices in one network Compatible devices for wired connection: 755WSA, 755PSMA4, 755RLPSMA4, 755PFM4 Compatible devices for wireless connection: CLP599WSAL, 755WSA, 755LPSMA4, 755RFB2
Terminal provisions	Active, neutral, loop and interconnect terminals, each accommodates 2 × 1.5 mm ²
Operating frequency	Zigbee: 2405 - 2480 MHz RF: 433 MHz
Wireless range	40 m indoor line of sight
Horn level	85 dB at 3 m, minimum
Hush mode duration	10 minutes
LED brightness levels	High / Low
Alarm memory	72 hours
Temperature for alarm	If temp > 57 °C
Environment	
Operating temperature	0 °C to 45 °C
Ambient humidity	5 % to 95 %
Installation	
Dimensions (H × W × D)	115 × 115 × 46 mm
Installation method	Mount on ceiling and wall only
Package content	Wiser Smoke Alarm 240 V Square, mounting base, 2 screws, 2 wall plugs, primary label, instruction sheet, dust cover
Certification	
	Zigbee 3.0, ActivFire afp-3754, RCM
Compliance	
Safety	<ul style="list-style-type: none"> AS/NZS 60950.1 AS/NZS 60065
EMC	<ul style="list-style-type: none"> EN 301 489-1/-3/-17 EN 50130-4 IEC 62599-2
RF	EN 300 328, EN 300 220-2, EN 62479

Note:

Download the Wiser Home app to your smartphone, and install the Wiser Hub 2nd Generation to configure and control Wiser devices. You can use the app to pair, set up and control Wiser devices. The Wiser Home app is available in the App stores for smartphones supporting operating systems Android™ OS (version 7 and above) or Apple® iOS (version 11 and above).

For more detailed information, refer to the Wiser User Guides online. Scan the QR code or follow the link: https://www.productinfo.schneider-electric.com/wiser_home_pacific





Download

Wiser Home app

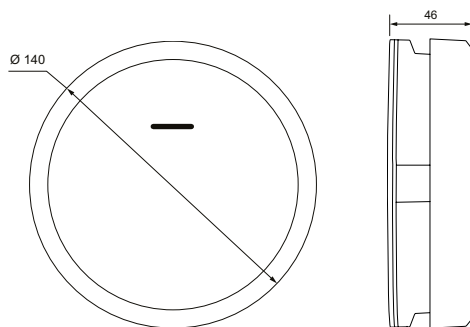


The Wiser Smoke Alarm 240 V combines a photoelectric smoke alarm with smart home functions. Interconnecting with existing wireless Fire Tek® smoke alarms via RF or a cable connection, the Wiser smoke alarms can be used separately or as part of a Wiser Smart Home System. It is also compatible with Gen4 Fire Tek(R) mounting bases for simple upgrade opportunities. The Wiser Home app provides push notification alerts if smoke is detected, and automations can also be programmed to turn lights ON or flash to help provide a warning if smoke is detected. The dual spectrum smoke sensing technology helps to mitigate false alarms for added confidence.

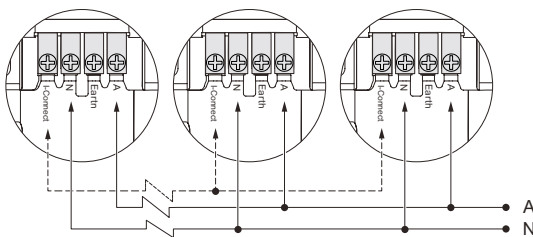
Wiser Smoke Alarm 240 V



Dimensions (mm)



Wiring diagram



Note:

Download the Wiser Home app to your smartphone, and install the Wiser Hub 2nd Generation to configure and control Wiser devices. You can use the app to pair, set up and control Wiser devices. The Wiser Home app is available in the App stores for smartphones supporting operating systems Android™ OS (version 7 and above) or Apple® iOS (version 11 and above).

Identification	
Commercial Reference	755WSA
Product colour	White
Product or component type	Sensor
Power	
Power supply	220-240 V AC, 50 / 60 Hz
Operating current	≤ 40 mA
Back up battery life	10 years (non replaceable)
Characteristics	
Sensing type	Photoelectric. This alarm contains NO radioactive material
Interconnecting	RF + Wired, max. 40 devices in one network Compatible devices for wired connection: CLP599WSA, 755PSMA4, 755RLPSMA4, 755PFM4 Compatible devices for wireless connection: 755LPSMA4, 755RFB2, CLP599WSAL and CLP599WSA
Terminal provisions	Active, neutral, loop and interconnect terminals, each accommodates 2 × 1.5 mm ²
Operating frequency	Zigbee: 2405 - 2480 MHz RF: 433 MHz
Wireless range	40 m indoor line of sight
Horn level	85 dB at 3 m, minimum
Hush mode duration	10 minutes
LED brightness levels	High / Low
Alarm memory	72 hours
Temperature for alarm	If temp > 57 °C
Environment	
Operating temperature	0 °C to 45 °C
Ambient humidity	5 % to 95 %
Installation	
Dimensions (H × Ø)	46 × 140 mm
Installation method	Mount on ceiling and wall only
Package content	Smoke Alarm 240 V, works with Wiser, mounting base, 2 screws, 2 wall plugs, primary label, instruction sheet, dust cover
Certification	
	Zigbee 3.0, ActivFire afp-3755, RCM
Compliance	
Safety	<ul style="list-style-type: none"> AS/NZS 60950.1 AS/NZS 60065
EMC	<ul style="list-style-type: none"> EN 301 489-1/-3/-17 EN 50130-4 IEC 62599-3
RF	EN 300 328, EN 300 220-2, EN 62480

For more detailed information, refer to the Wiser User Guides online. Scan the QR code or follow the link: https://www.productinfo.schneider-electric.com/wiser_home_pacific





PowerTag Energy

Add PowerTag energy sensors to your customer's electrical panel to easily monitor energy consumption from the grid, solar production and identify the most power-hungry loads.

Key specifications of PowerTag Energy:

- Class 1 (1 % accuracy) energy sensor installed in the electrical switchboard on circuit breakers requiring monitoring
- Monitor the energy consumption of energy sources and loads for display in the Wiser Home app
- Bi-directional power monitoring supporting solar inverter, AC-coupled battery and all types of loads
- Compatible with Clipsal and other brands of circuit breakers
- Installed at the top or bottom of circuit breakers, eliminating the need for additional DIN rail space
- Zigbee Green Power (low-power Zigbee) communication to Wiser Hub 2nd Generation.
- Available in 1P and 3P versions
- Wiser Home supports up to 20 PowerTags per home





Keep a close eye on energy consumption

Enable your customers to stay aware of their home's electricity consumption, understand which appliances consume the most energy, enabling them to make informed decisions to reduce their consumption.

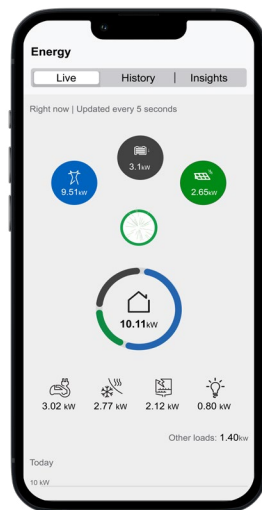
PowerTag Energy provides your customers an in-depth visibility of their energy consumption so they can use energy better and more efficiently. With energy costs on the rise, knowing how use energy is key to optimizing their bills.

Manage energy in the Wiser Home app by:

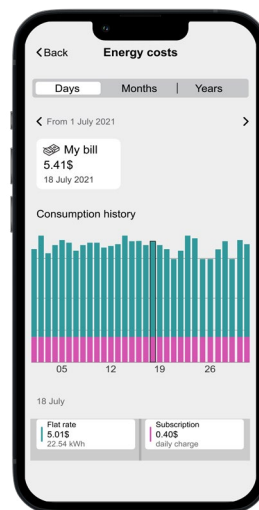
- Understanding where energy is being used
- Optimizing solar and storage system
- Tracking electricity bill
- Being aware of savings and earnings over time
- Staying informed about any unexpected electricity usage



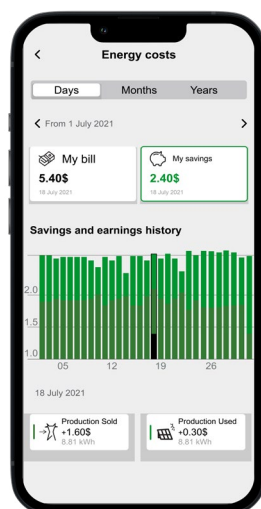
Energy consumption view



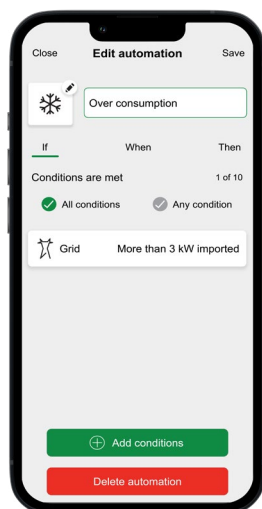
Power flow view



Bill overview



Savings view



Notification on overload



PowerTag Energy is a wireless-communication energy sensor designed for energy management and power availability applications for new or existing residential installations. Associated with the Wiser Hub 2nd Generation, PowerTag Energy provides a complete wireless class 1 solution to monitor energy at any level of a distribution panel. The PowerTag Energy sensor accurately measures real-time energy values for circuits up to 63 A. When used together with the Wiser Hub 2nd Generation, it can collect information from every equipped circuit and identify which load is consuming the most energy. PowerTag Energy is easy to install in no time on new or existing panels.

PowerTag Energy Monoconnect 63 A

PowerTag Energy for Monoconnect offers: single-terminal circuit breakers, RCDs, and switches with an 18 mm pitch between phase and neutral, rated at less than or equal to 63 A. PowerTag Energy Monoconnect is mounted directly on the protective device with no additional wiring required.

PowerTag Energy Flex 63 A

PowerTag Energy Flex can be mounted on a wide range of protective devices that have a rating of less than or equal to 63 A. To allow PowerTag Energy F63 to adapt to different types of terminals, the voltage tap lugs can be replaced with other end-pieces or lugs for AWG22/0.33 mm² wires.

PowerTag Energy Phase Neutral 63 A

PowerTag Energy Phase Neutral offers: Single-terminal circuit breakers, RCDs and switches at pitch of 9 mm between phase and neutral, rating less than or equal to 63 A.

PowerTag Energy Monoconnect
63 A



4CBEM1



4CBEM3

PowerTag Energy Flex
63 A



4RCBEM2



4RCBEM4

PowerTag Energy Phase Neutral
63 A



4RCBEM2T



4RCBEM2B

PowerTag Energy

Identification							
Commercial Reference	4CBEM1	4CBEM3	4RCBEM2	4RCBEM4	4RCBEM2T	4RCBEM2B	
Supported protocol	Zigbee						
Product color	White						
Product or component type	Energy Sensors						
Characteristics							
Rated voltage	Un	1P+N/ 1P+W	Phase-to-neutral	200...240 V AC ± 20 %, 50 Hz			
	Un	3P+N	Phase-to-phase	380...415 V AC ± 20 %, 50 Hz			
Max. current	Imax			63 A			
Starting current	Ist			40 mA			
Environment							
Operating temperature				-25 °C to +60 °C			
Storage temperature				-40 °C to +85 °C			
Overvoltage category	As per IEC 61010-1			Cat. III			
Measuring category	As per IEC 61010-2-30			Cat. III			
Altitude				≤ 2000 m			
Degree of protection	Device only			IP20			
	IK			05			
Radio-frequency communication							
ISM band 2.4 GHz				2.4 GHz to 2.4835 GHz			
Channels	As per IEEE 802.15.4			11 to 26			
Isotropic Radiated Power	Equivalent (EIRP)			0 dBm			
Max. transmission time				< 5 ms			
Channel occupancy	Messages sent every			5 seconds minimum			
Characteristics of measuring functions							
Function	Performance category as per IEC 61557-12			Device measuring range			
Active energy	Ea	Class 1			Total and partial 0 to 99999999.9 kWh		
Current	I	Class 1			40 mA to 63 A		
Voltage	U	Class 0.5			Un ± 20 %		
Installation							
Installation guideline	It is recommended to install the PowerTag within 3 metres of the Wiser Hub 2nd Generation for best results.						

Note:

Download the Wiser Home app to your smartphone, and install the Wiser Hub 2nd Generation to configure and control Wiser devices. You can use the app to pair, set up and control Wiser devices. The Wiser Home app is available in the App stores for smartphones supporting operating systems Android™ OS (version 7 and above) or Apple® iOS (version 11 and above).

For more detailed information, refer to the Wiser User Guides online. Scan the QR code or follow the link: https://www.productinfo.schneider-electric.com/wiser_home_pacific

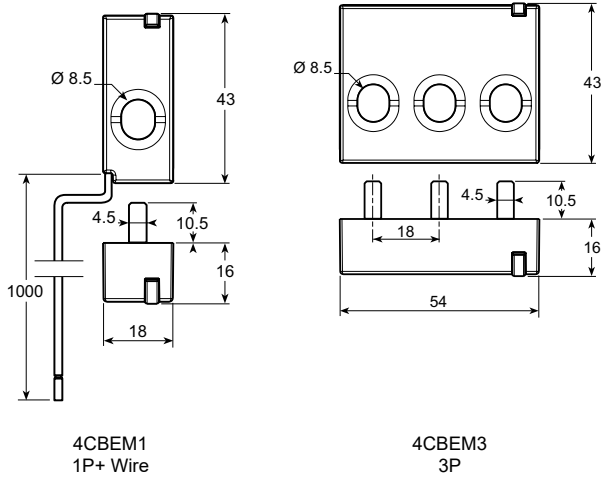




Weight			
	PowerTag	Type	Weight (g)
M63	4CBEM1	1P + Wire	16.4
	4CBEM3	3P	28
F63	4RCBEM2	1P + N	16
	4RCBEM4	3P + N	40
P63	4RCBEM2B	1P + N	18
	4RCBEM2T		

Dimensions (mm)

PowerTag Energy Monoconnect 63 A



Note:

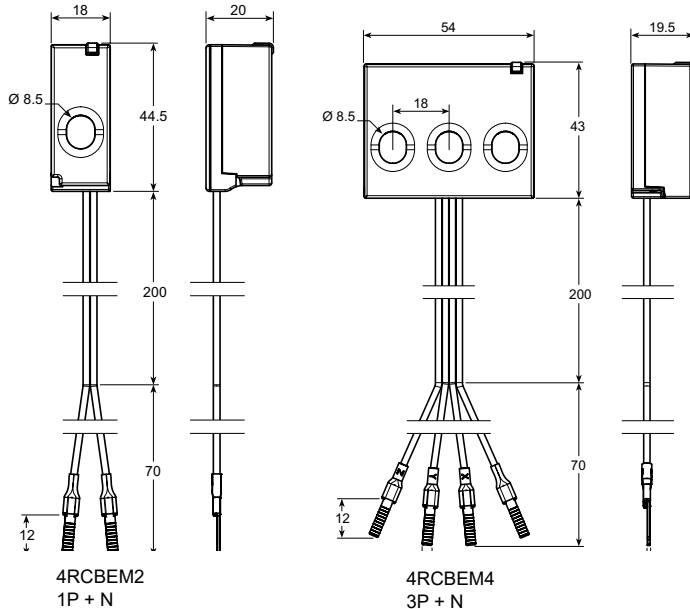
Download the Wiser Home app to your smartphone, and install the Wiser Hub 2nd Generation to configure and control Wiser devices. You can use the app to pair, set up and control Wiser devices. The Wiser Home app is available in the App stores for smartphones supporting operating systems Android™ OS (version 7 and above) or Apple® iOS (version 11 and above).

For more detailed information, refer to the Wiser User Guides online. Scan the QR code or follow the link: https://www.productinfo.schneider-electric.com/wiser_home_pacific

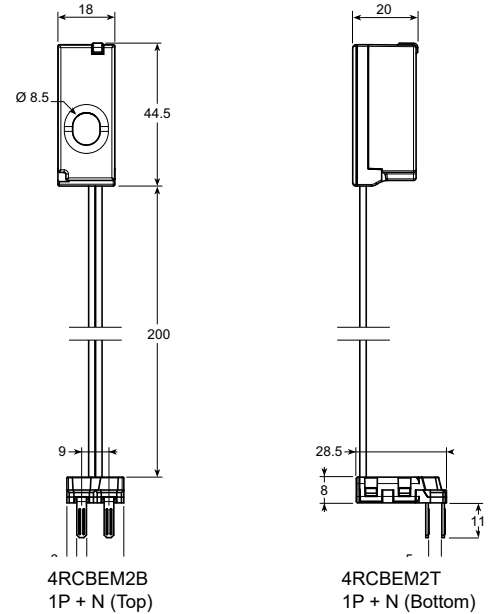




PowerTag Energy Flex 63 A

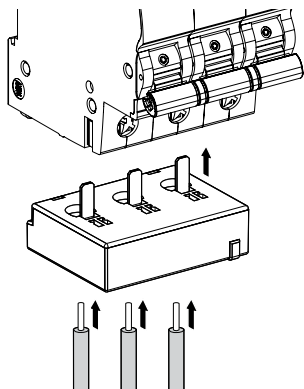


PowerTag Energy Phase Neutral 63 A



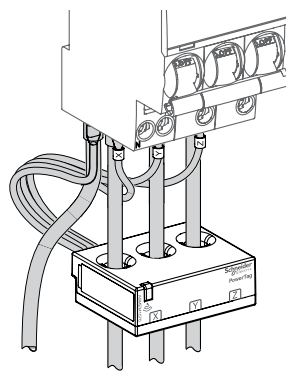
Connections

PowerTag Energy Monoconnect 63 A



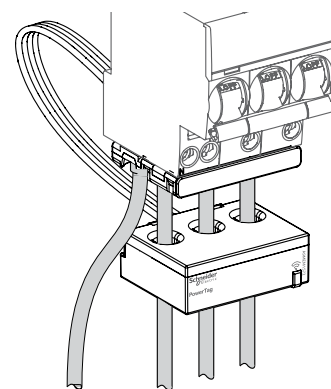
Stripping length : 18 mm

PowerTag Energy Flex 63 A



Stripping length: respect the stripping length stated on the device that the PowerTag Energy is associated with.

PowerTag Energy Phase Neutral 63 A



Note:
Download the Wiser Home app to your smartphone, and install the Wiser Hub 2nd Generation to configure and control Wiser devices. You can use the app to pair, set up and control Wiser devices. The Wiser Home app is available in the App stores for smartphones supporting operating systems Android™ OS (version 7 and above) or Apple® iOS (version 11 and above).

For more detailed information, refer to the Wiser User Guides online. Scan the QR code or follow the link: https://www.productinfo.schneider-electric.com/wiser_home_pacific





PowerTag Control

Add PowerTag Control to help your customers automatically turn ON their Electric Hot Water system, Water Heat Pump, Pool Pump or other appliances during periods of solar excess production or off peak hours, based on their preferred schedule, to reduce their electricity bill.

Key specifications of PowerTag Control:

- Wireless-communication input and output module
- Designed specifically to control loads
- Can be associated with contactor for circuit above 2 A
- Easy to install, wire and commission
- Product can be installed in new or existing panels with simple commissioning operation
- Mounted on DIN rail
- Local override from the front face push button
- Information on device control status via LED





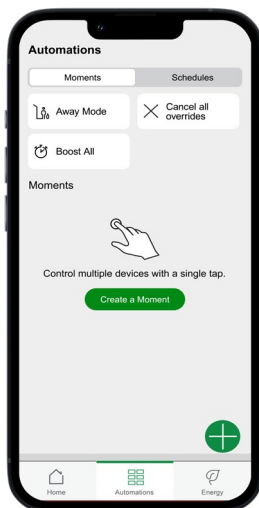
Control electricity intensive loads with PowerTag Control

Control loads from electrical panels and optimize their energy consumption through the Wiser Home app.

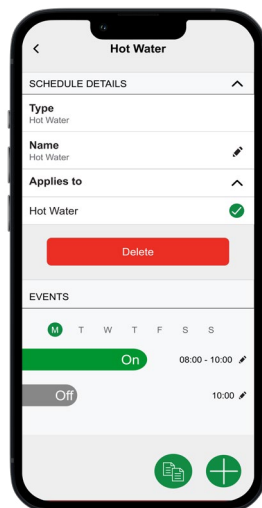
PowerTag Control is a wireless energy sensor that offers advanced control capabilities for improving energy efficiency, reducing costs, and promoting sustainability in various installations and applications.

Control your customer's hot water, pool pump or other large loads remotely from the Wiser Home app:

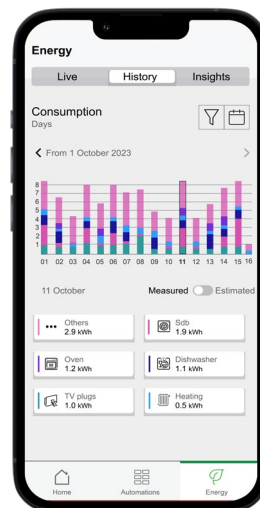
- Set moments and automations
- Scheduling function (ON/OFF)
- View energy consumption history
- Get device notifications



Moments and Automations



Scheduling (ON/OFF)



Energy consumption history



Notifications

Key Benefits:

- Reduce your bill in scheduling the use of your loads when electricity prices are low or at times of excess solar production
- Adapting to unexpected events with easy control from the app (start, stop, override function)
- Easy to install and to activate through the Wiser Home app



PowerTag Control

PowerTag Control is a wireless-communication module specifically designed for load control applications from the switchboard.

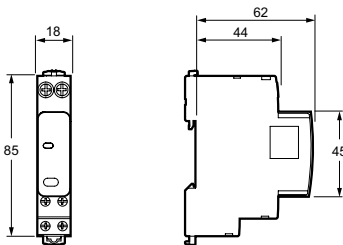
PowerTag Control can operate a load remotely through a contactor, or impulse relay.

- Zigbee-communication technology simplifies cabling and commissioning operations: no wiring is required for the PowerTag Control modules to communicate with the Wiser Hub.
- System scalability: PowerTag Control modules can be easily installed in new or existing panels at any time with a simple commissioning operation.
- PowerTag Control modules are DIN rail mounted.

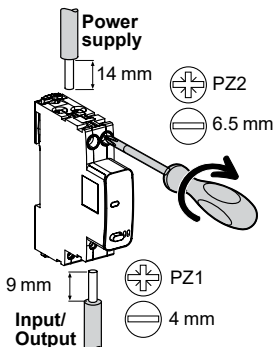


A9XMC1D3
PowerTag C IO 230 V

Dimensions (mm)



Connections



Note:

Download the Wiser Home app to your smartphone, and install the Wiser Hub 2nd Generation to configure and control Wiser devices. You can use the app to pair, set up and control Wiser devices. The Wiser Home app is available in the App stores for smartphones supporting operating systems Android™ OS (version 7 and above) or Apple® iOS (version 11 and above).

PowerTag Control

Identification		
Commercial Reference	A9XMC1D3	
Supported protocol	Zigbee	
Product colour	White	
Product or component type	Power control module	
Features		
Power supply	230 V AC ± 20 %	
Frequency	50/60 Hz	
Maximum consumption	IO	≤ 2 VA
	2DI	≤ 3 VA
Manual override	Push button on the front of the module	
Environment		
Operating temperature	-25 °C to +60 °C	
Storage temperature	-40 °C to +85 °C	
Relative humidity (60068-2-78)	93 % at 40 °C	
Overvoltage category	As per IEC 61010-1	Cat. III
Altitude	≤ 2000 m	
Pollution degree	3	
Degree of protection according to IEC 60529	Front face	IP40
	Casing	IP20
	IK	05
Characteristics of inputs and outputs		
Digital input		
Type	230 V AC, dry contact	
Digital output		
Type	230 V AC, dry contact	
Relay type	Normally open or normally closed (setting adjustable)	
Applicable voltage on output	230 V AC ± 20 %	
Minimum/maximum current on output	10 mA / 2 A	
Type of output order	Pulse or latch (setting adjustable)	
Pulse length in control mode with impulse relay	Nominal: 300 ms	
Radio-frequency communication		
ISM band 2.4 GHz	2.4 GHz to 2.4835 GHz	
Channels	As per IEEE 802.15.4	11 to 26
Isotropic Radiated Power	Equivalent (EIRP)	0 dBm
Channel occupancy	Messages sent	<ul style="list-style-type: none"> ■ On event ■ Periodically (5 secs nominal)
Installation		
Installation guideline	It is recommended to install the PowerTag within 3 metres of the Wiser Hub 2nd Generation for best results.	
Weight (g)		
PowerTag C IO 230 V	80	

For more detailed information, refer to the Wiser User Guides online. Scan the QR code or follow the link: https://www.productinfo.schneider-electric.com/wiser_home_pacific





MAXBAR+

MAXBAR+ Kit is a kit with combination of Breakers and Comb bus bar.

Key benefits of using MAXBAR+:

- Protects switchboard against overloading from bi-directional and multiple energy sources
- Use busbar instead of cables to avoid improper terminations and potential hazards such as hot joints
- Futureproof your customer's switchboard by allocating space on the busbar for solar, battery and EV charging
- Simplify your selection process with 1P or 3P MAX9 New Energy Protection Kit with MAXBAR+
- Easy to understand pictograms ensuring correct placement of protection devices
- Dedicated position for SPD on 1P MAXBAR+
- Busbars enable installations to be neat & tidy, eliminating feeding cables and providing a professional look
- Reduce time spent on your switch boards by using a busbar instead of preparing feeding cables



Circuit Protection

MAXBAR+ Kit

MAX9 New Energy Protection Kit with MAXBAR+

Identification

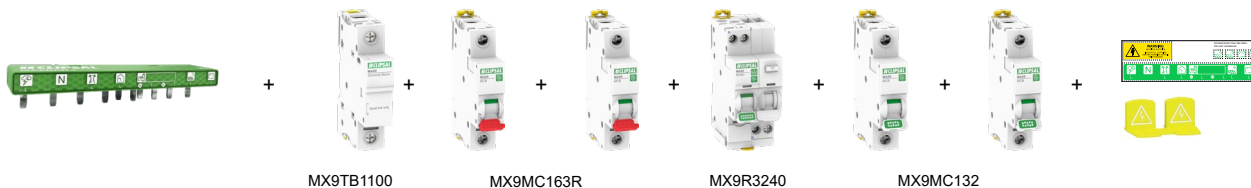


MX9K108PP
MAX9 New Energy Protection Kit 1P



MX9K318PP
MAX9 New Energy Protection Kit 3P

Commercial reference	Description	Component Commercial Reference	Component Short Description	Quantity	Application
MX9K108PP	MAXBAR+ Kit 1P	-	MAXBAR+ Busbar 1P 8 Mod	1	Distribution of energy sources
		MX9TB1100	MAX9 NTB	1	Neutral connection
		MX9MC163R	MAX9 1P MCB 63 A Red Toggle	2	Grid supply and Home circuits
		MX9R3240	MAX9 36 mm RCBO 40 A	1	EV Charging circuit
		MX9MC132	MAX9 1P MCB 32 A	2	Solar and battery circuits
		-	Busbar tooth cover	2	To be used when SPD or Battery MCB not required
		-	Sticker label sheet	1	To be used to identify MAXBAR+ circuits on enclosure cover. Option to replace battery circuit with either sub board or second solar circuit



MX9K318PP	MAXBAR+ Kit 3P	-	MAXBAR+ 3P 18 Mod	1	Distribution of energy sources
		MX9TB1100	MAX9 NTB	1	Neutral connection
		MX9MC363R	MAX9 3P MCB 63 A Red Toggle	2	Grid supply and Home circuits
		MX9R3540	MAX9 5 Mod RCBO 40 A	1	EV Charging circuit
		MX9MC325	MAX9 3P MCB 25 A	1	Solar circuit
		MX9MC132	MAX9 1P MCB 32 A	1	Battery circuit
		-	Busbar tooth cover	3	To be used when battery MCB not required
		-	Sticker label sheet	1	To be used to identify MAXBAR+ circuits on enclosure cover. Option to replace battery circuit with either sub board or second solar circuit



Characteristics

Rated current	100 A at 40 °C
Rated voltage	240/440 V
Rated insulation voltage	500 V

For more detailed information on Max9, scan the QR code or follow the link: <https://www.clipsal.com/max-9>



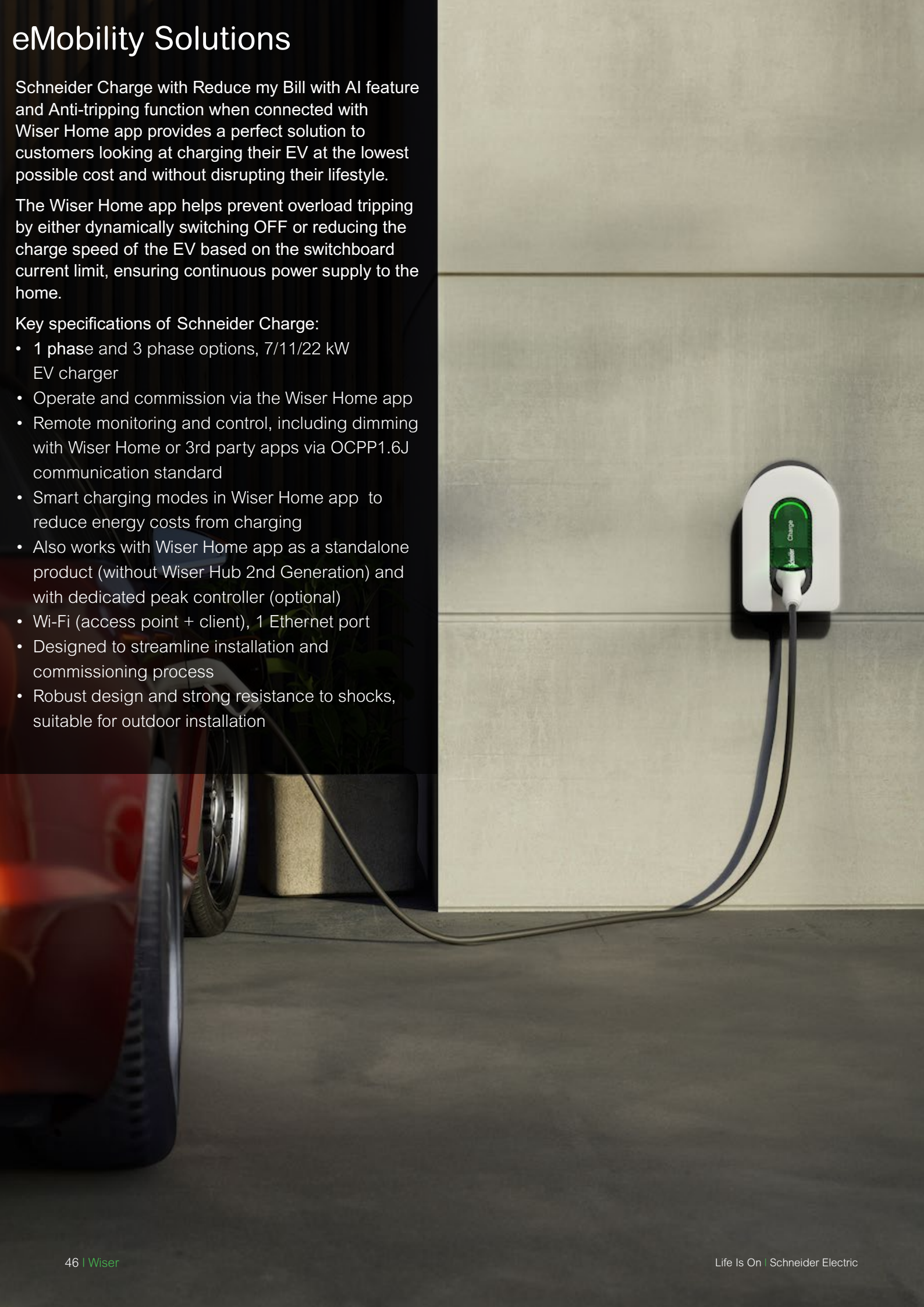
eMobility Solutions

Schneider Charge with Reduce my Bill with AI feature and Anti-tripping function when connected with Wiser Home app provides a perfect solution to customers looking at charging their EV at the lowest possible cost and without disrupting their lifestyle.

The Wiser Home app helps prevent overload tripping by either dynamically switching OFF or reducing the charge speed of the EV based on the switchboard current limit, ensuring continuous power supply to the home.

Key specifications of Schneider Charge:

- 1 phase and 3 phase options, 7/11/22 kW EV charger
- Operate and commission via the Wiser Home app
- Remote monitoring and control, including dimming with Wiser Home or 3rd party apps via OCPP1.6J communication standard
- Smart charging modes in Wiser Home app to reduce energy costs from charging
- Also works with Wiser Home app as a standalone product (without Wiser Hub 2nd Generation) and with dedicated peak controller (optional)
- Wi-Fi (access point + client), 1 Ethernet port
- Designed to streamline installation and commissioning process
- Robust design and strong resistance to shocks, suitable for outdoor installation



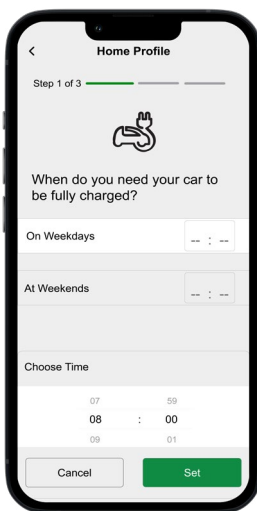
“I want a safe, efficient, and effortless charging experience.”

With the Wiser Home-compatible Schneider Charge, your customers can charge their electric vehicle conveniently and safely while reducing costs and CO2 emissions.

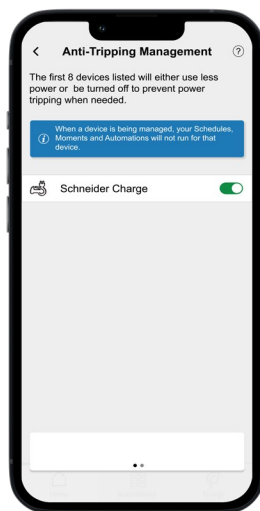
Allow your customers to charge their EV according to their routine, take advantage of off-peak hours or solar excess production.

Help your customers reduce their energy bills by charging their EV using the below control options:

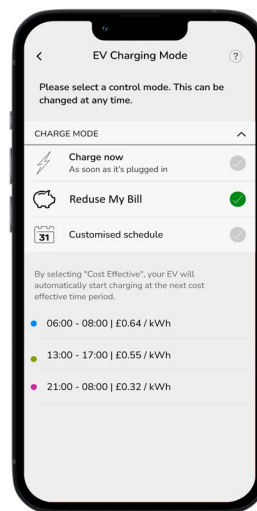
- EV charge control (start/stop)
- Anti-tripping function (Switching OFF or Dimming) to avoid power outage
- Charging modes (Charge now, Reduce My Bill, Customised Schedule)
- Charging schedule notifications



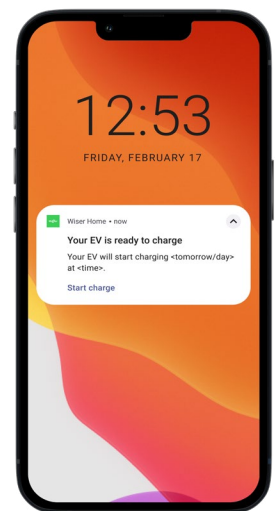
Charge control



Anti-tripping



Charging modes



Notifications

Key Benefits

- Reduce your bill by automatically charging your EV with solar energy or at the lowest cost, while following your routine
- Remote monitoring and control
- Automatically maintain power continuity with the Anti-tripping solution (load shedding, load dimming)
- Keep tracking your energy consumption and related costs on the Energy Dashboard
- Adapting to unexpected events with easy control from the app (start, stop, override function)
- Easy to install and activate (only scan the QR code to pair it) through the Wiser Home app



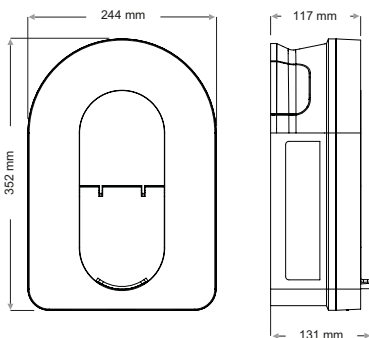
The Schneider Charge is an electrical appliance that supplies electricity to charge plug-in electric vehicles. This smart EV charging station can be fully commissioned and operated by the Wiser Home app or by any compatible 3rd party apps.



Schneider Charge

Identification		
Commercial Reference	EVH5A22N2S	Schneider Charge 7.4/11/22 kW 1P+N/3P+N T2S
	EVH5A07N2C5	Schneider Charge 7.4 kW 1P+N 5 m cable
	EVH5A11N2C5	Schneider Charge 11 kW 3P+N 5 m cable
	EVH5A07N2C7	Schneider Charge 7.4 kW 1P+N 7 m cable
	EVH5A11N2C7	Schneider Charge 11 kW 3P+N 7 m cable
Supported protocol	Zigbee	
Product color	White	
Product type	AC charging station	
Characteristics		
Rated voltage	1P + N	230 V AC 50/60 Hz ±10 %
	3P + N	400 V AC 50/60 Hz ±10 %
Nominal output power	3P + N	11 kW 16 A, 22 kW 32 A
	1P + N	7.4 kW 32 A
Cabling	Top, back or bottom cabling Built-in fast connector. Ready for voltage test	
Charging current	16 A to 32 A	
Internal protection	RCD-DD 6 mA DC filter	
Access control modes	Free access	
Socket-outlet type	1 (only T2S)	
Earthing system	TT, TN-S, TN-C-S, IT/TT without neutral (230 V AC only)	
Environment		
IP degree of protection	IP 55 conforming to IEC 60529	
IK degree of protection	IK 10 conforming to IEC 62262	
Operating temperature	T2S socket outlet	-35 °C to 45 °C (3P 32 A)
		-30 °C to 50 °C (1P 32 A)
		-30 °C to 55 °C (3P 16 A)
Relative humidity	5 % to 95 %	
Storage temperature	-40 °C to 85 °C	
Installation		
Dimensions (H × W × D)	352 × 244 × 131 mm (without cable)	
Installation method	Wall mounting	
Features		
<ul style="list-style-type: none"> Local signaling: <ul style="list-style-type: none"> Status indication with multi-color LED LED indication for Wi-Fi® connection and pairing Load management: <ul style="list-style-type: none"> Possibility to connect with Anti-tripping system Connectivity: <ul style="list-style-type: none"> OCPP 1.6 J Wi-Fi® and RJ45 Ethernet 		<ul style="list-style-type: none"> Remote Features: <ul style="list-style-type: none"> Scheduling Start/Stop via Remote Energy consumption/cost Monitoring and history Attached cable for 5 m or 7 m with T2 connector Built-in micro programmed control unit for measurement: accuracy 1 %
Weight		
Type	Weight (kg)	
1P+ N T2S Socket outlet	3.2	
1P + N	5 m	5.5
	7 m	5.3
3P+N	5 m	4.4
	7 m	5.1
Certification		
	CE, RCM	

Dimensions (mm)



Note:

Download the Wiser Home app to your smartphone to configure and control Schneider Charge. You can use the app to pair, set up and control Wiser devices. Note that you do not need a Wiser Hub 2nd Generation to take the control of your charger. The Wiser Home app is available in the App stores for smartphones supporting operating systems Android™ OS (version 7 and above) or Apple® iOS (version 11 and above).

For more detailed information, refer to the Wiser User Guides online. Scan the QR code or follow the link: https://www.productinfo.schneider-electric.com/wiser_home_pacific



Schneider Charge Anti-tripping System


Schneider Charge anti-tripping module, working in conjunction with a Schneider Charge charging station, forms an intelligent load management system that continuously adapts the Charge's power output to the electric vehicle based on the available power in the home. The communication between the Home Anti-tripping system and the Schneider Charge charging station is done with power line communication preventing the need for separate communication cables.



Schneider Charge Anti-tripping System

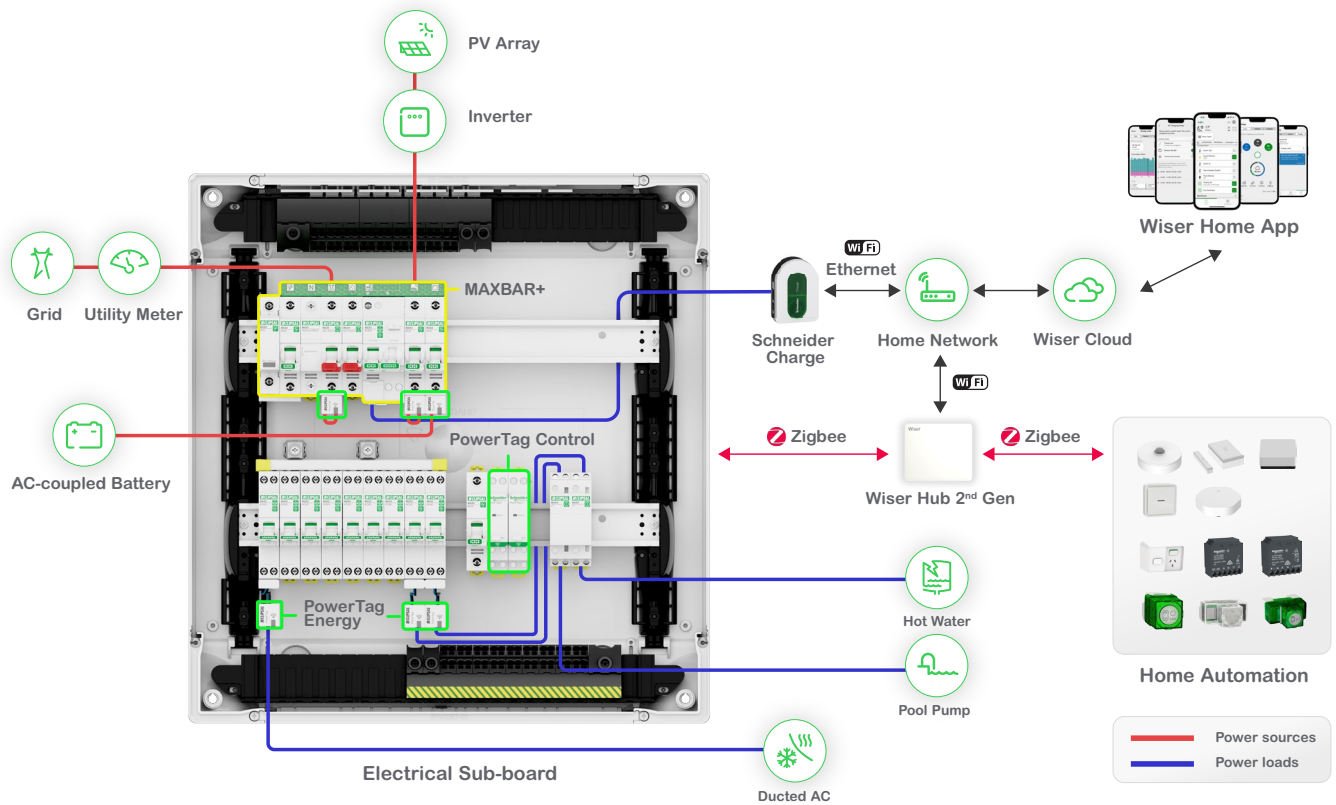
Identification

Commercial Reference	EVA2HPC1	Schneider Charge Anti-tripping system 1P 32 A to 100 A
	EVA2HPC3	Schneider Charge Anti-tripping system 3P 16 A to 50 A

Model	Single phase	Three phase
Power supply	230 V AC 50/60 Hz, TT, TN, IT/TT without Neutral	
Power input	220 - 240 V AC (+/- 10 %) 50/60 Hz	
Number of phases	L + N	L1 + L2 + L3 + N
Rated power	4 W	5 W
Pairing functionality	Pairing functionality between Schneider Charge charging station. Up to 6 sets allow to be used at same time within PLC function range.	
Network interface Communication	Power Line communication with Schneider Charge charging station	
Polling interval	1000 ms	
Photovoltaic application	Continuously adapts the charging power taking home consumption and self-generated energy into account	
Environment		
Operating temperature	-30 °C to +50 °C	
Storage temperature	-40 °C to +85 °C	
Humidity	5 % - 95 % no condensation	
Altitude	≤ 2000 m	
Cooling	Natural cooling	
Installation		
Dimension (L × W × H)	70 × 93 × 69 mm	72 × 89 × 75 mm
Weight		
	196 g	180 g
Rating		
	Low rating: 16 A to 50 A	Low rating: 16 A to 50 A
	High rating: 32 A to 100 A	
Certification		
	EN 61010-1, EN 61326-1, RCM 	

Note: The Anti-tripping modules above are not required if the Wiser Hub 2nd Gen and PowerTags are used with the Wiser Home app.

Wiser Home Architecture

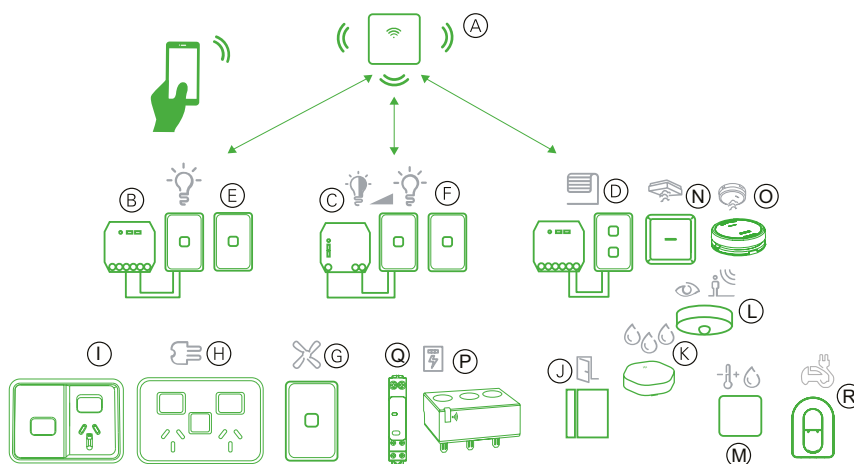


Reference Numbers

Find technical information by product reference number

Home Control - Zigbee

Commercial Reference	Product Name	Diagram Reference	Technical Characteristics
CLP502WH	Wiser Hub 2nd Generation	A	p.11
CLP5011WSZ	Wiser Micro Module Switch	B	p. 14
CLP5010WDZ	Wiser Micro Module Dimmer	C	p. 15
CLP5015WBZ	Wiser Micro Module Blind Controller	D	p. 16
41E2PBSWMZ-VW	Iconic Connected Switch 2 AX (Zigbee default mode)	E	p. 17
41E10PBSWMZ-VW	Iconic Connected Switch 10 AX (Zigbee default mode)	E	p. 18
41EPBDWCLMZ-VW	Iconic Connected Dimmer (Zigbee default mode)	F	p. 19
41ECSFWMZ-VW	Iconic Connected AC Fan Speed Controller	G	p. 20
3025CSGZ	Iconic Connected Twin 10 A Socket (Zigbee default mode)	H	p. 21
O3015T-XW	Iconic Outdoor Connected Socket	I	p. 22
O3015T-BK			
CLP591011	Wiser Window/Door Sensor	J	p. 26
CLP592011	Wiser Water Leakage Sensor	K	p. 27
CLP595011	Wiser Motion Sensor	L	p. 28
CLP593011	Wiser Temperature/Humidity Sensor	M	p. 29
CLP599WSAL	Wiser Smoke Alarm - Battery	M	p. 30
CLP599WSA	Wiser Smoke Alarm - 240 V Square	N	p. 31
755WSA	Wiser Smoke Alarm 240 V	O	p. 32
4CBEM1	PowerTag Energy Monoconnect 63 A, 1P + Wire	P	p.36
4CBEM3	PowerTag Energy Monoconnect 63 A, 3P	P	p.36
4RCBEM2	PowerTag Energy Flex 63 A, 1P + N	P	p.36
4RCBEM4	PowerTag Energy Flex 63 A, 3P + N	P	p.36
4RCBEM2T	PowerTag Energy Phase Neutral 63 A, 1P + N	P	p.36
4RCBEM2B	PowerTag Energy Phase Neutral 63 A, 1P + N	P	p.36
A9XMC1D3	PowerTag Control	Q	p.42
MX9K108PP	MAX9 New Energy Protection Kit 1P		p.45
MX9K318PP	MAX9 New Energy Protection Kit 3P		p.45
EVH5A22N2S	Schneider Charge 7.4/11/22 kW 1P+N/3P+N T2S	R	p.48
EVH5A07N2C5	Schneider Charge 7.4 kW 1P+N 5 m cable	R	p.48
EVH5A11N2C5	Schneider Charge 11 kW 3P+N 5 m cable	R	p.48
EVH5A07N2C7	Schneider Charge 7.4 kW 1P+N 7 m cable	R	p.48
EVH5A11N2C7	Schneider Charge 11 kW 3P+N 7 m cable	R	p.48
EVA2HPC1	Schneider Charge Anti-tripping system 1P 32 A to 100 A		p.49
EVA2HPC3	Schneider Charge Anti-tripping system 3P 16 A to 50 A		p.49



Disclaimer

Schneider Electric (Australia) Pty Ltd reserves the right to change specifications, modify designs and discontinue items without incurring obligation and whilst every effort is made to ensure that descriptions, specifications and other information in this catalogue are correct, no warranty is given in respect thereof and the company shall not be liable for any error therein.



Green Premium™

An industry leading portfolio of offers delivering sustainable value



More than 75 % of our product sales offer superior transparency on the material content, regulatory information and environmental impact of our products:

- RoHS compliance
- REACH substance information
- Industry leading # of PEP's*
- Circularity instructions



Discover what we mean by green

Check your products!

The Green Premium program stands for our commitment to deliver customer valued sustainable performance. It has been upgraded with recognized environmental claims and extended to cover all offers including Products, Services and Solutions.

CO₂ and P&L impact through... Resource Performance

Green Premium brings improved resource efficiency throughout an asset's lifecycle. This includes efficient use of energy and natural resources, along with the minimization of CO₂ emissions.

Cost of ownership optimization through... Circular Performance

We're helping our customers optimize the total cost of ownership of their assets. To do this, we provide IoT-enabled solutions, as well as upgrade, repair, retrofit, and remanufacture services.

Peace of mind through... Well-being Performance

Green Premium products are RoHS and REACH compliant. We're going beyond regulatory compliance with step-by-step substitution of certain materials and substances from our products.

Improved sales through... Differentiation

Green Premium delivers strong value propositions through third-party labels and services. By collaborating with third-party organizations we can support our customers in meeting their sustainability goals such as green building certifications.

*PEP: Product Environmental Profile (i.e. Environmental Product Declaration)



Smart and Sustainable Homes



For more information about the Wiser™ range, contact your local Clipsal and Schneider Electric sales Representative, electrical wholesaler, or visit clipsal.com/wiser-home

Schneider Electric (Australia) Pty. Ltd.
33-37 Port Wakefield Road
Gepps Cross, South Australia, 5094

Customer Care
Phone: 13 73 28 (13SEAU)
(9.00 am to 5:00 pm Mon to Fri AEST)

Technical Support
Phone: 13 73 28 (13 SEAU)
(7:30 am to 7:00 pm Mon to Fri AEST)

06-2024
©2024 Schneider Electric. All Rights Reserved.
LSB03189EN

clipsal.com/support

clipsal.com/wiser-home

Life Is  On

