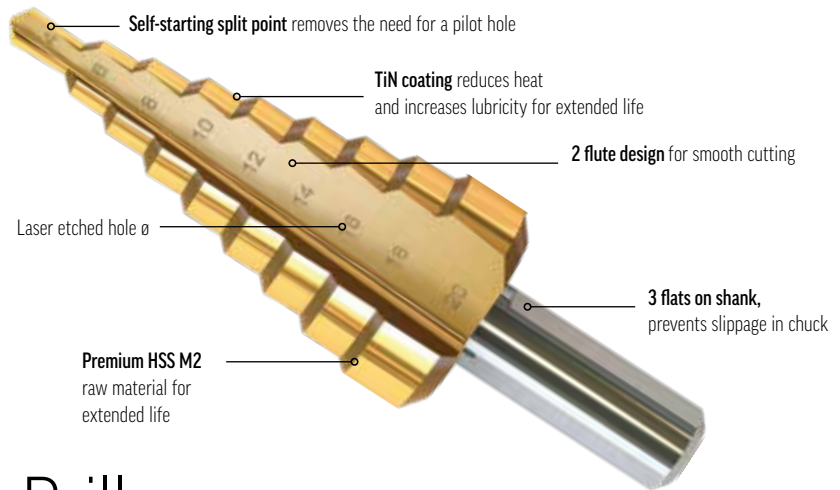


Step Drills – 2 Flute – Straight



Step Drills 2 Flute – Straight



BULK & CARDED

METRIC & IMPERIAL



CARDED – 1 PCE
Supplied in hangable or free-standing card

BULK – 1 PCE
Supplied in hangable plastic pack

ø	No. of Steps	ø Included	Shank ø mm	BULK 1 PCE	CARDED 1 PCE
4 – 12mm	9	4, 5, 6, 7, 8, 9, 10, 11 & 12mm	6.0	9STM4-12	C9STM4-12
4 – 20mm	9	4, 6, 8, 10, 12, 14, 16, 18 & 20mm	8.0	9STM4-20	C9STM4-20
5 – 35mm	13	5, 7.5, 10, 13, 16, 19, 21, 23, 26, 29, 31, 33 & 35mm	10.0	9STM5-35	C9STM5-35
6 – 30mm	13	6, 8, 10, 12, 14, 16, 18, 20, 22, 24, 26, 28 & 30mm	10.0	9STM6-30	C9STM6-30
6 – 32mm	14	6, 8, 10, 12, 14, 16, 18, 20, 22, 24, 26, 28, 30 & 32mm	10.0	9STM6-32	C9STM6-32
6 – 36mm	11	6, 9, 12, 15, 18, 21, 24, 27, 30, 33 & 36mm	10.0	9STM6-36	C9STM6-36
6 – 39mm	12	6, 9, 12, 15, 18, 21, 24, 27, 30, 33, 36 & 39mm	10.0	9STM6-39	C9STM6-39
1/4" – 3/4"	9	1/4", 5/16", 3/8", 7/16", 1/2", 9/16", 5/8", 11/16" & 3/4"	9.5	9STI14-34	C9STI14-34

Ideal for: Non-ferrous metals, sheet metal, plastic and stainless steel up to 3mm thick.
Suits: Non-hammer action portable power drills.



METRIC – 3 PCE 2 Flute – Straight Step Drill Set

CONTAINS 3 sizes:

- 4 – 12mm
- 4 – 20mm
- 6 – 30mm

Robust metal case

Code: STPSET3