



LED IP65 LPAR38 - 12W

12 watt PAR20 LED, IP65, E27 lamp base

Application

Perfect for retail and residential spaces

Design Specifications

- Opal polycarbonate aluminium body, double insulated
- Poly covered aluminium body
- High efficiency SMD LED chips, beam 100 degree
- Integral non-dimmable LED driver, E27 lamp base
- CCT 3000K / 6000K, CRI > 80
- Double insulation, designed for equivalent IP rated PAR floodlights, installed in under covered eave environments



-
-
-
-
-
-
-
-
-

Technical Specification

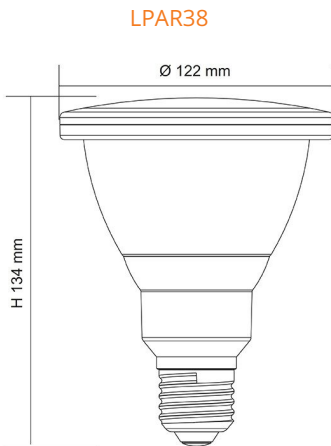
Model No.	Input Voltage (V/AC)	Power (W)	Lumens (lm)	CCT (K)	CRI	Beam Angle (°)
LPAR38 WW	240	12	1050	3000	80	100
LPAR38 DL	240	12	1050	6000	80	100

Model No.	Dimmable	Base Type
LPAR38 WW	NO	E27
LPAR38 DL	NO	E27

Due to continued product and technology enhancements, data sourced from sal.net.au shall not form part of any contract and or technical performance guarantee unless expressly confirmed in writing by SAL at the time of order. Products are sold in accordance with [SAL Terms and Conditions of sale](#) and all images shown are for illustration purposes only and may vary from the actual colour or finish. Unless specifically stated, all IP ratings nominated for Interior products are from "below the ceiling".



Dimensions



THE SFI SYSTEM ELIMINATES LED FLICKERING.

**SIMPLY
MATCH THE
UNIFIT SFI
DOWNLIGHT
WITH THIS
SDD400SFI
DIMMER.**



**DIM with
FLICKER
CONTROL**

For related
products
please
scan me

