



LED MR16 TC - 4/6W

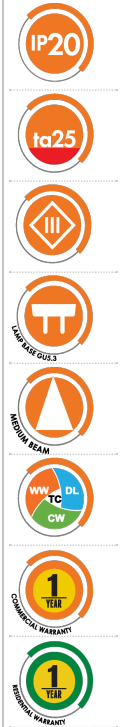
Non-dimmable 4 watt / 6 watt - MR 16 profile shape LED, with selectable colour temperature

Application

Ideal for any residential interior space

Design Specifications

- Shockproof frosted polycarbonate lens
- Die-cast aluminium body
- High efficiency SMD LED chips
- For optimum performance, the recommended transformer is the SAL MINI60, traditional iron core transformers are not recommended
- Beam distribution 38 degree
- Selectable colour temperature 3000K/4000K/6000K, lamp base GU5.3



Technical Specification

Model No.	Input Voltage (V/AC)	Input Voltage (V/DC)	Power (W)	Lumens (lm)	CCT (K)	CRI
MR16/5W/TC	12	12	4	360/400/380	3000/4000/6000	80
MR16/7W/TC	12	12	6	500/600/550	3000/4000/6000	80

Model No.	Beam Angle (°)	Dimmable	Base Type
MR16/5W/TC	38	NO	GU5.3
MR16/7W/TC	38	NO	GU5.3

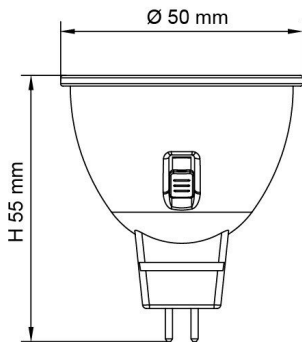
IMPORTANT, where CCT selection switching is provided, it is important to switch OFF the SUPPLY before the CCT selection is made, otherwise equipment damage may occur.

Due to continued product and technology enhancements, data sourced from sal.net.au shall not form part of any contract and or technical performance guarantee unless expressly confirmed in writing by SAL at the time of order. Products are sold in accordance with [SAL Terms and Conditions of sale](#) and all images shown are for illustration purposes only and may vary from the actual colour or finish. Unless specifically stated, all IP ratings nominated for Interior products are from "below the ceiling".



Dimensions

Dimensions



THE SFI SYSTEM ELIMINATES LED FLICKERING.

**SIMPLY
MATCH THE
UNIFIT SFI
DOWNLIGHT
WITH THIS
SDD400SFI
DIMMER.**



**DIM with
FLICKER
CONTROL**

For related
products
please
scan me

