



LED MR16 - 5 W

5 watt MR16 profile shape LED

Application

Ideal for any residential interior space

Design Specifications

- Shockproof frosted polycarbonate lens
- Poly covered aluminium body
- High efficiency SMD LED chips
- 12V AC or DC electronic transformer required, non-dimmable
- 5 watt, CRI > 80, CCT 3000K / 4000K / 6000K, beam distribution 38 degree
- Lamp base GU5.3



Technical Specification

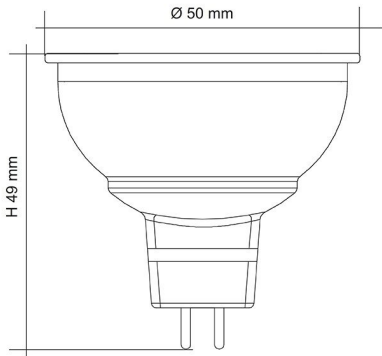
Model No.	Input Voltage (V/AC)	Input Voltage (V/DC)	Power (W)	Lumens (lm)	CCT (K)	CRI
MR16 5W WW	12	12	5	330	3000	80
MR16 5W CW	12	12	5	350	4000	80
MR16 5W DL	12	12	5	350	6000	80

Model No.	Beam Angle (°)	Dimmable	Base Type
MR16 5W WW	38	NO	GU5.3
MR16 5W CW	38	NO	GU5.3
MR16 5W DL	38	NO	GU5.3

Due to continued product and technology enhancements, data sourced from sal.net.au shall not form part of any contract and or technical performance guarantee unless expressly confirmed in writing by SAL at the time of order. Products are sold in accordance with [SAL Terms and Conditions of sale](#) and all images shown are for illustration purposes only and may vary from the actual colour or finish. Unless specifically stated, all IP ratings nominated for Interior products are from "below the ceiling".



Dimensions



THE SFI SYSTEM ELIMINATES LED FLICKERING.

**SIMPLY
MATCH THE
UNIFIT SFI
DOWNLIGHT
WITH THIS
SDD400SFI
DIMMER.**



**DIM with
FLICKER
CONTROL**

For related
products
please
scan me

