



LED MR16 - 9W

Dimmable 9 watt - MR16 profile LED

Application

Residential interior spaces

Design Specifications

- Shockproof frosted polycarbonate lens
- Die cast aluminium body
- High efficiency LED optics
- The essential **transformer** is the SAL MINI60, (Minimum / Max LED loads - 1 watt min / 20 watt max). Recommended SAL dimmer SDA450U/LED.
- Beam distribution 60 degree, CRI > 80
- GU5.3 lamp base

Performance

- Dimmable - **YES**
- Dimmer Type - **SAL MINI60 only**



Technical Specification

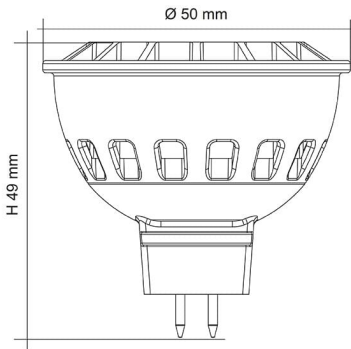
Product	Model No.	Input Voltage (V/AC)	Power (W)	Lumens (lm)	CCT (K)	CRI
	MR16DIM9W/WW	12	9	500	3000	80
	MR16DIM9W/CW	12	9	500	4000	80
	MR16DIM9W/DL	12	9	550	6500	80



Beam Angle (°)	Dimmable	Base Type
60	YES	GU5.3
60	YES	GU5.3
60	YES	GU5.3

Due to continued product and technology enhancements, data sourced from sal.net.au shall not form part of any contract and or technical performance guarantee unless expressly confirmed in writing by SAL at the time of order. Products are sold in accordance with [SAL Terms and Conditions of sale](#) and all images shown are for illustration purposes only and may vary from the actual colour or finish. Unless specifically stated, all IP ratings nominated for Interior products are from "below the ceiling".

Dimensions



THE SFI SYSTEM ELIMINATES LED FLICKERING.

**SIMPLY
MATCH THE
UNIFIT SFI
DOWNLIGHT
WITH THIS
SDD400SFI
DIMMER.**



**DIM with
FLICKER
CONTROL**

For related
products
please
scan me

