



STARGEM III SES70801TC - 15W

15 watt IP54 wall mounted LED floodlight with selectable colour temperature and PIR sensor

Application

A stylish solution for residential exterior spaces, great for security

Design Specifications

- Robust adjustable black or white aluminium optical head assembly
- Durable polycarbonate mounting base
- Opal polycarbonate diffuser, beam distribution 100 degree, TC colour selectable 3000K/4000K/5700K
- High efficiency SMD LED chips, integral non-dimmable LED driver
- Integral PIR motion sensor, detection distance 12m at 2.5hm, detection angle 180 degree, manual over-ride function, time and light level adjustments see installation instructions.



Performance

In Built Sensor - **YES**
Sensor Type - **PIR**

Technical Specification

Model No.	Description	Input Voltage (V/AC)	Power (W)	Lumens (lm)	CCT (K)	CRI
SES7080/1TC/BK	LED F/LIGHT 15W IP54 TC SENSOR BK	240	15	1200/1300/1250	3000/4000/5700	80
SES7080/1TC/WH	LED F/LIGHT 15W IP54 TC SENSOR WH	240	15	1200/1300/1250	3000/4000/5700	80

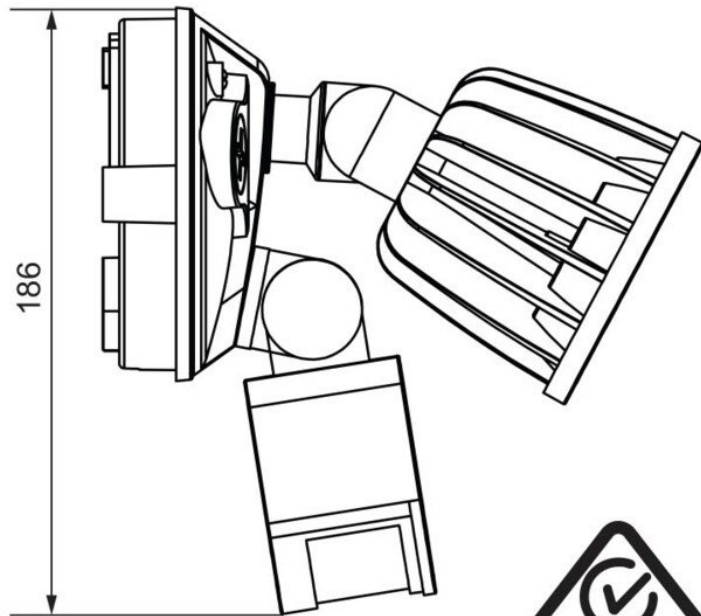
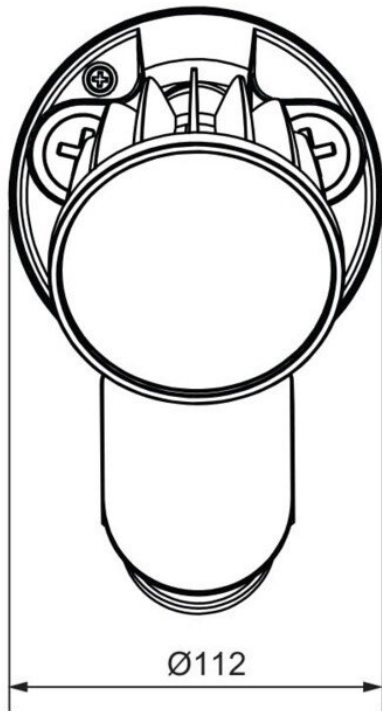
Technical Specification

Model No.	Beam Angle (°)	Body Colour	Mass (kg)
SES7080/1TC/BK	100	BLACK	0.4
SES7080/1TC/WH	100	WHITE	0.4

Due to continued product and technology enhancements, data sourced from sal.net.au shall not form part of any contract and or technical performance guarantee unless expressly confirmed in writing by SAL at the time of order. Products are sold in accordance with [SAL Terms and Conditions of sale](#) and all images shown are for illustration purposes only and may vary from the actual colour or finish. Unless specifically stated, all IP ratings nominated for Interior products are from "below the ceiling".

Dimensions

SES7080 TC



sal.net.au

Product Images

