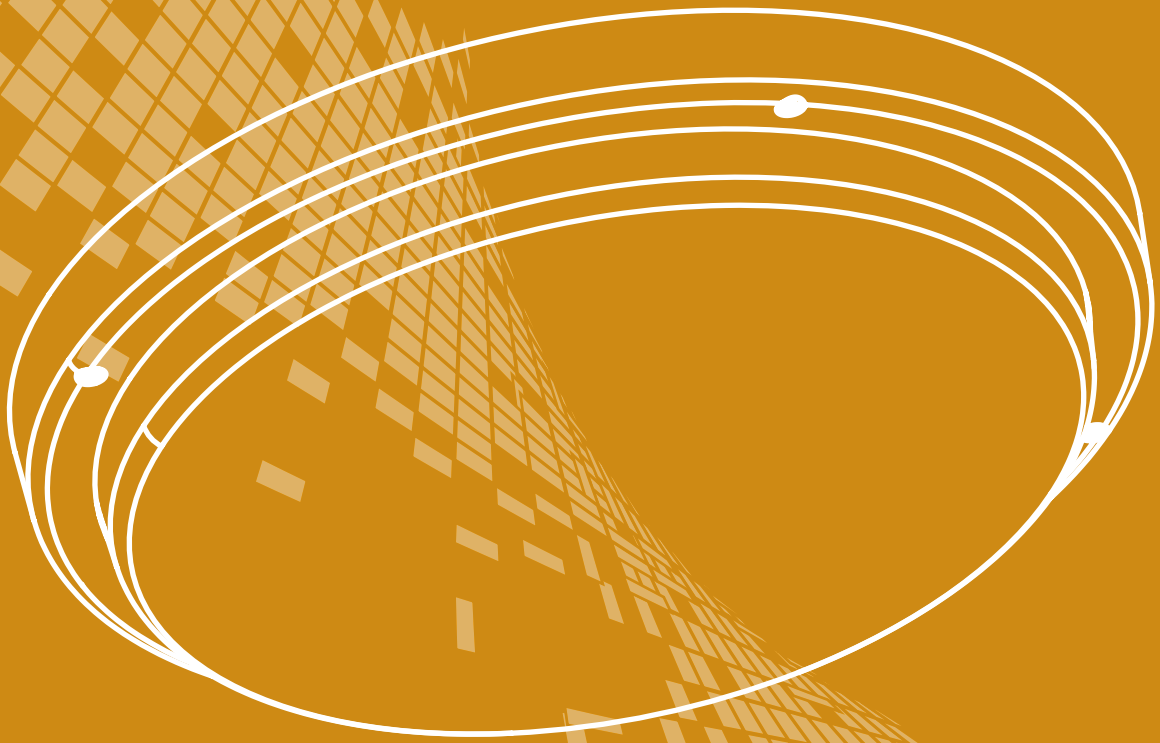


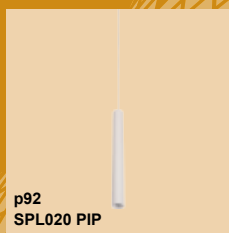


www.sal.net.au



LED OYSTER & PENDANT LIGHTS

NEW PRODUCTS

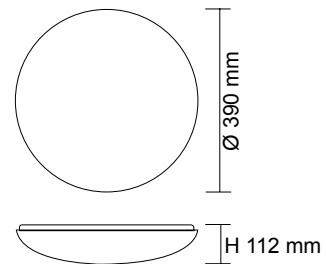
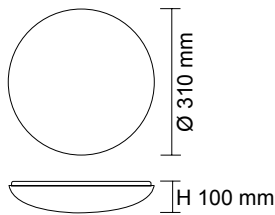


LED OYSTER LIGHT

SO3700 OPAL



DIMENSIONS



CONSTRUCTION

- Powder coated steel base
- Opal polycarbonate diffuser
- High efficiency SMD LED chips
- Constant current non-dimmable LED driver fitted
- Select colour temperature with DIP switch (TC models)

DIMMING OPTIONS

- Trailing edge
- 1-10V analogue (SO3700/40L only)
- DALI / DSI, digital (SO3700/40L only)

IP RATING

- IP20 suitable for interior use only

SENSOR OPTION

- Integrated microwave motion sensor (SO3700/40L only)

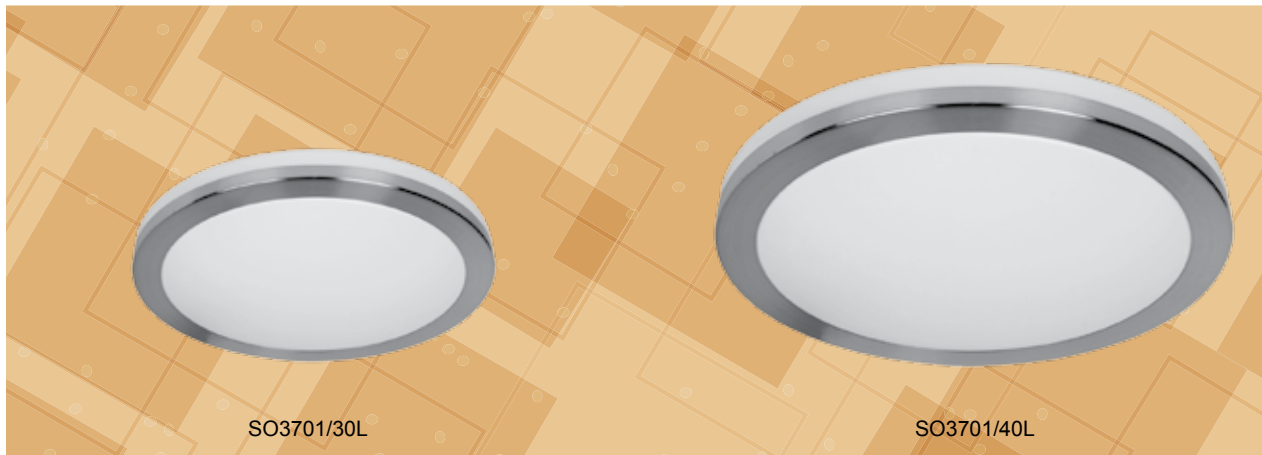
Model No.	Input	Power	Lumen	CCT	CRI	Dimensions Ø x H
SO3700/30L TC	240V	18W	1400lm/1500lm/1500lm	3000K/4000K/6000K	>80	310 x 100 mm
SO3700/40L TC	240V	30W	2500lm/2600lm/2600lm	3000K/4000K/6000K	>80	390 x 112 mm

SO3700: DAYLIGHT OPTION AVAILABLE

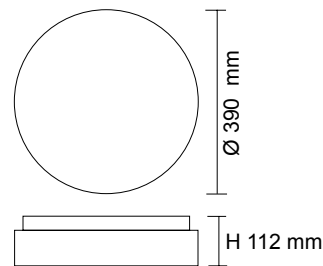
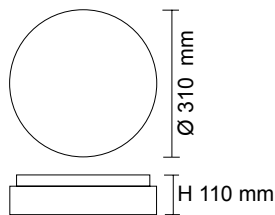
Model No.	Input	Power	Lumen	CCT	CRI	Dimensions Ø x H
SO3700/30L DL	240V	18W	1600lm	6000K	>80	310 x 100 mm
SO3700/40L DL	240V	30W	2700lm	6000K	>80	390 x 112 mm

LED OYSTER LIGHT

SO3701 GEM



DIMENSIONS



CONSTRUCTION

- Select colour temperature with DIP switch
- Powder coated steel base
- Satin Nickel plated deco ring
- Opal polycarbonate diffuser
- High efficiency SMD LED chips
- Constant current non-dimmable LED driver fitted

DIMMING OPTIONS

- Trailing edge
- 1-10V analogue (SO3701/40L only)
- DALI / DSI, digital (SO3701/40L only)

SENSOR OPTION

- Integrated microwave motion sensor (SO3701/40L only)

IP RATING

- IP20 suitable for interior use only

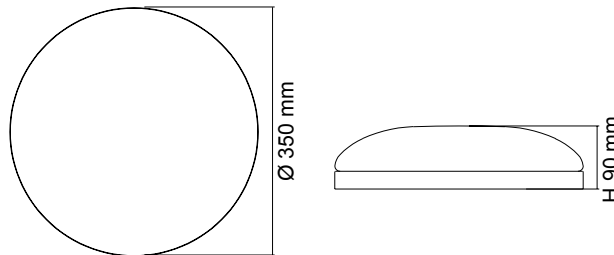
Model No.	Input	Power	Lumen	CCT	CRI	Dimensions Ø x H
SO3701/30L TC	240V	18W	1400lm/1500lm/1500lm	3000K/4000K/6000K	>80	310 x 100 mm
SO3701/40L TC	240V	30W	2500lm/2600lm/2600lm	3000K/4000K/6000K	>80	390 x 112 mm

COMMERCIAL LED OYSTER LIGHT

SO3800 TC OPAL II



DIMENSIONS



CONSTRUCTION

- Colour temperature selectable by DIP switch
- Built-in constant current trailing edge dimmable LED driver (excluding SO3800/40TC/S, SO3800/40TC/EMS)
- Powder coated steel body
- Opal polycarbonate diffuser
- High efficiency SMD LED chips

IP RATING

- IP20 suitable for interior use only

FITTING COLOUR

- White

SENSOR MODELS

(SO3800/40TC/S, SO3800/40TC/EMS):

- Adjustable sensor detection range
- Adjustable daylight threshold
- Adjustable duration
- Non-dimmable



EMERGENCY MODELS

(SO3800/40TC/EM, SO3800/40TC/EMS):

- Compliant to AS2293
- LiFePO₄ battery



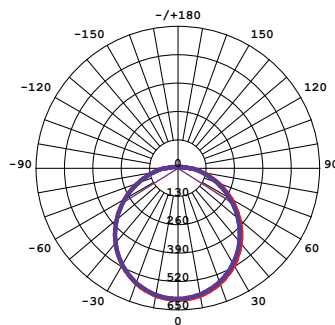


Model No.	Input	Power	Lumen	CCT	CRI	Dimmable	Emergency	Sensor
SO3800/40TC	240V	30W	2400lm/2600lm/2500lm	3000K/4000K/5700K	>80	Yes*		
SO3800/40TC/EM	240V	30W	2400lm/2600lm/2500lm	3000K/4000K/5700K	>80	Yes*	✓	
SO3800/40TC/S	240V	30W	2400lm/2600lm/2500lm	3000K/4000K/5700K	>80	No		✓
SO3800/40TC/EMS	240V	30W	2400lm/2600lm/2500lm	3000K/4000K/5700K	>80	No	✓	✓

* Trailing edge dimming

PHOTOMETRIC DATA (AT CCT 4000K) Unit: cd C0/C180 _____ C90/C270 _____

SO3800/40TC at 4000K

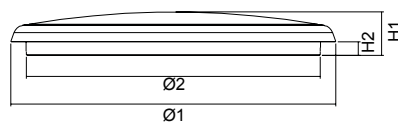
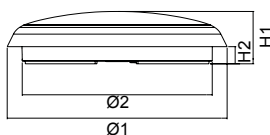


DIMMABLE LED OYSTER LIGHT

SL2105 DISC



DIMENSIONS



CONSTRUCTION

- Polycarbonate housing
- Opal polycarbonate diffuser
- Double insulation
- High efficiency SMD LED chips
- Built-in constant current trailing edge dimmable LED driver

IP RATING

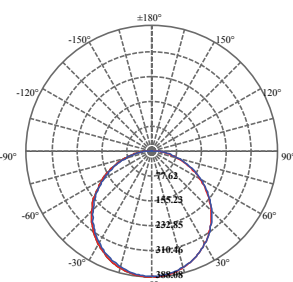
- IP54 weatherproof

Model No.	Input	Power	Lumen	CCT	CRI	Fitting Colour	Dimensions Ø1 x H1, Ø2 x H2
SL2105/20WW	240V	12W	1050lm	3000K	>80	White	200 x 48 mm, 173 x 16 mm
SL2105/20DL	240V	12W	1100lm	5000K	>80	White	200 x 48 mm, 173 x 16 mm
SL2105/30WW	240V	25W	2000lm	3000K	>80	White	300 x 40 mm, 271 x 13 mm
SL2105/30DL	240V	25W	2200lm	5000K	>80	White	300 x 40 mm, 271 x 13 mm
SL2105/40WW	240V	30W	2800lm	3000K	>80	White	400 x 52 mm, 363 x 15 mm
SL2105/40DL	240V	30W	2900lm	5000K	>80	White	400 x 52 mm, 363 x 15 mm

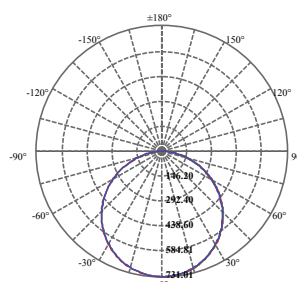
PHOTOMETRIC DATA

Unit: cd C0/C180 — C90/C270

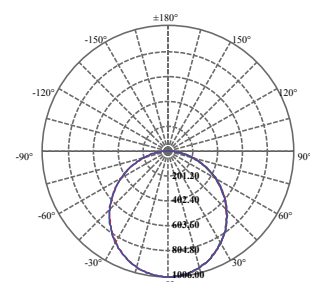
SL2105/20DL



SL2105/30DL



SL2105/40DL




Specifications above are for reference only and may vary without prior notice

DIMMABLE LED SQUARE OYSTER LIGHT

SL3247 CUSHION



CONSTRUCTION

- 4 size options
- Soft square architectural design
- Polycarbonate housing
- Opal polycarbonate diffuser
- Double insulation 
- High efficiency SMD LED chips
- Built-in constant current trailing edge dimmable LED driver

IP RATING

- IP54 weatherproof

COLOUR TEMPERATURE

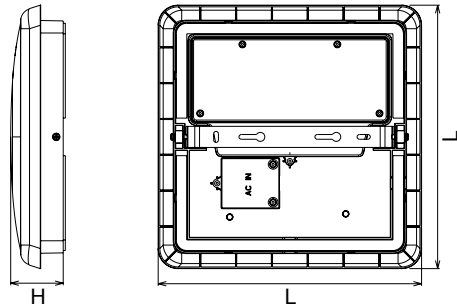
- 4000K Cool White (standard)
- 3000K Warm White (option)
- 5700K Daylight (option)

SENSOR OPTION

- Integrated microwave motion sensor (SL3247/25 only)



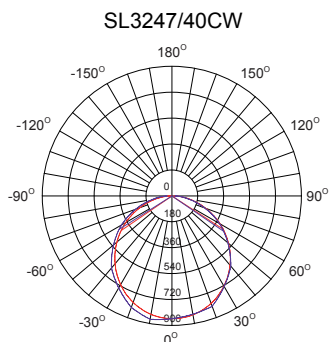
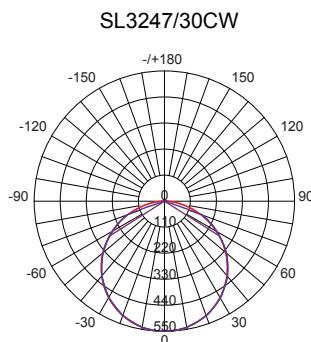
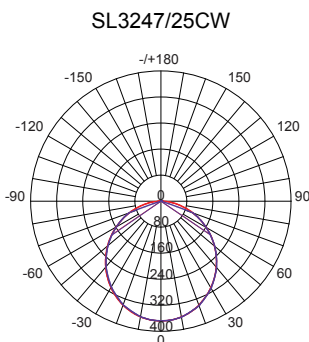
DIMENSIONS



Model No.	Input	Power	Lumen	CCT	CRI	Fitting Colour	Dimensions L x H
SL3247/25CW	240V	12W	1000lm	4000K	>80	White	250 x 50 mm
SL3247/30CW	240V	18W	1600lm	4000K	>80	White	300 x 40 mm
SL3247/35CW	240V	25W	2400lm	4000K	>80	White	350 x 40 mm
SL3247/40CW	240V	30W	2500lm	4000K	>80	White	400 x 50 mm

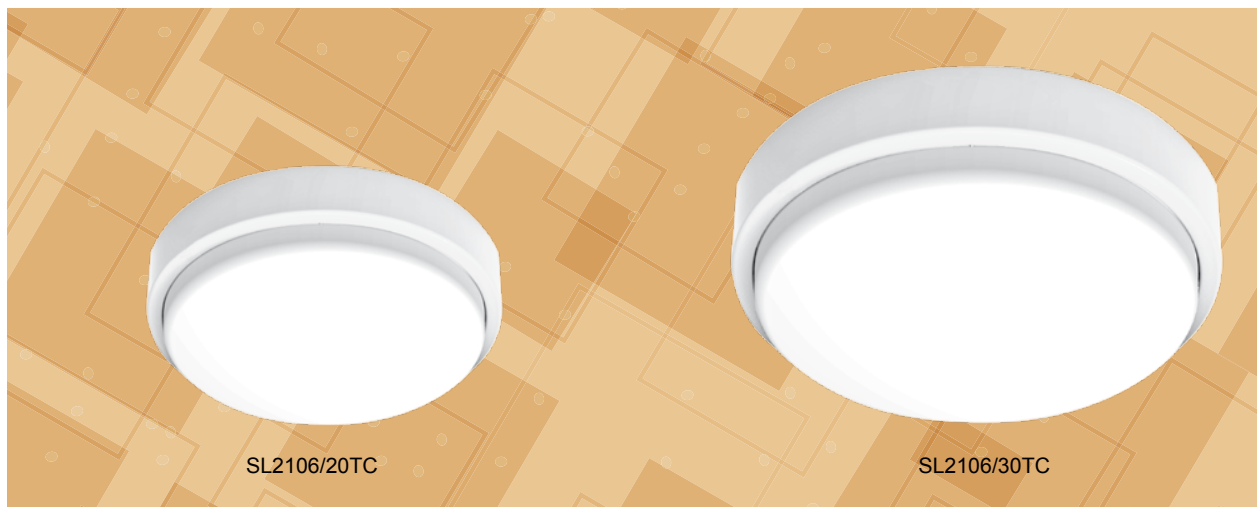
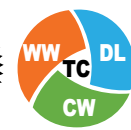
PHOTOMETRIC DATA

UNIT: cd C0/C180  C90/C270 



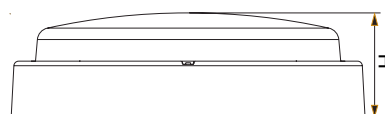
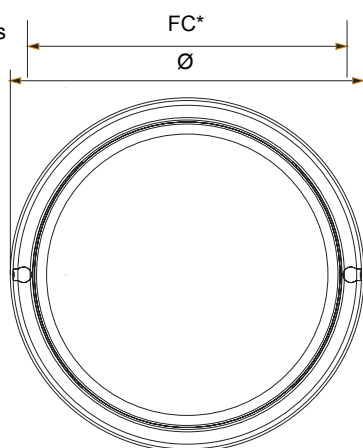
LED OYSTER LIGHT

SL2106TC BENNY



DIMENSIONS

*FC = Fixing Centres



CONSTRUCTION

- Select colour temperature with DIP switch
- Polycarbonate housing
- Opal polycarbonate diffuser
- Double insulation
- High efficiency SMD LED chips
- Built-in constant current non-dimmable LED driver

IP RATING

- IP65 weatherproof

Model No.	Input	Power	Lumen	CCT	CRI	Fitting Colour	Dimensions Ø x H	FC*
SL2106/20TC	240V	10W	800lm	3000K/4000K/6000K	>80	White	220 mm x 65 mm	204 mm
SL2106/30TC	240V	20W	1600lm	3000K/4000K/6000K	>80	White	280 mm x 71 mm	263 mm
SL2106/30TC/S	240V	20W	1600lm	3000K/4000K/6000K	>80	White	280 mm x 71 mm	263 mm
SL2106/40TC	240V	24W	2000lm	3000K/4000K/6000K	>80	White	350 mm x 81 mm	332 mm
SL2106/40TC/C	240V	24W	2000lm	3000K/4000K/6000K	>80	White	350 mm x 81 mm	332 mm

*FC = Fixing Centres



SL2106/40TC

SENSOR MODELS

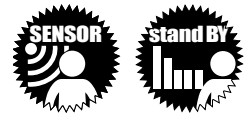
- Integrated microwave motion sensor

Model No.	Detection Range	Daylight Threshold	Duration
SL2106/30TC/S	100%	Disabled	10 mins.
SL2106/30TC/S1	100%	50 Lux	10 mins.
SL2106/30TC/S2	50%	50 Lux	5 mins.



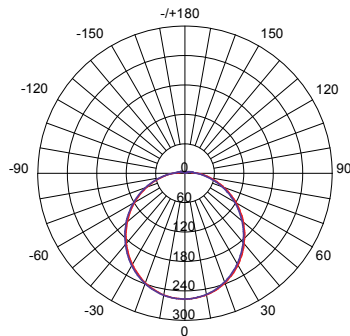
- Integrated microwave motion sensor with standBY function

Model No.	Detection Range	Daylight Threshold	Duration	Standby Level	Standby Period
SL2106/40TC/C	100%	Disabled	12 mins.	20%	30 mins.
SL2106/40TC/C1	100%	50 Lux	6 mins.	30%	30 mins.
SL2106/40TC/C2	100%	50 Lux	6 mins.	20%	24 hrs.

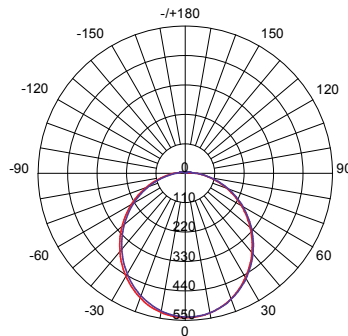


PHOTOMETRIC DATA (AT CCT 4000K) UNIT: cd C0/C180 — C90/C270

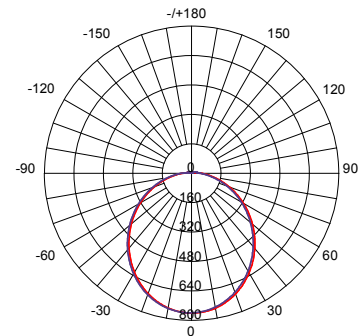
SL2106/20TC at 4000K



SL2106/30TC at 4000K



SL2106/40TC at 4000K



LED OYSTER LIGHT

SL2108 DISH I



CONSTRUCTION

- Powder coated steel base
- Complete with white trim
- Opal acrylic diffuser
- High efficiency SMD LED chips
- Built-in constant current non-dimmable LED driver

IP RATING

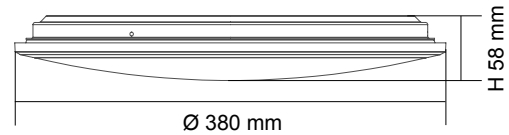
- IP44 weatherproof

TRIM COLOUR OPTION

- Silver trim option available (SL2108SL/RING)



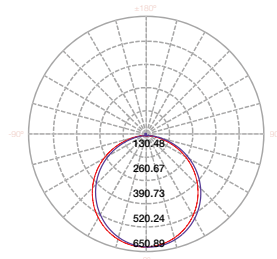
DIMENSIONS



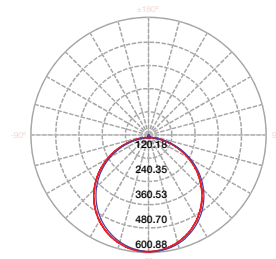
Model No.	Input	Power	Lumen	CCT	CRI
SL2108WW	240V	22W	1900lm	3000K	>80
SL2108DL	240V	22W	1900lm	5000K	>80

PHOTOMETRIC DATA

UNIT: cd C0/C180
SL2108WW



C90/C270
SL2108DL



LED OYSTER

SO2107 PEARL

CONSTRUCTION

- Powder coated steel base
- Opal polycarbonate diffuser
- Built-in E27 lampholders
- Lamps NOT included

IP RATING

- IP44 weatherproof

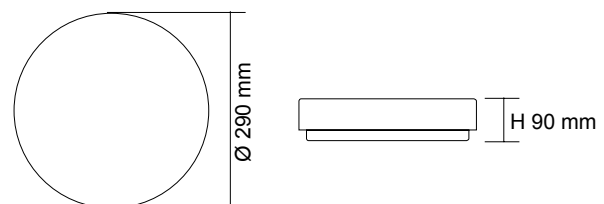
LAMP OPTIONS

- LG5, LG9
- LGS4, LGS8, LGS10, LGS14D
- LT407, LT409

Model No.	Input	Lamp Base
SO2107	240V	E27 x 2



DIMENSIONS



DIMMABLE LED OYSTER LIGHT

SL2111 DISCUS



CONSTRUCTION

- Super slim disc shaped polycarbonate body
- Simple twist lock installation mechanism
- Opal acrylic diffuser
- High efficiency SMD LED chips
- Built-in constant current trailing edge dimmable LED driver

IP RATING

- IP40 suitable for interior use only

FITTING COLOUR

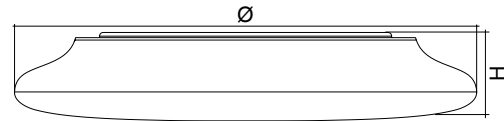
- Silver (standard)
- White (option)

COLOUR TEMPERATURE

- 4000K Cool White (standard)
- 3000K Warm White (option)
- 5700K Daylight (option)



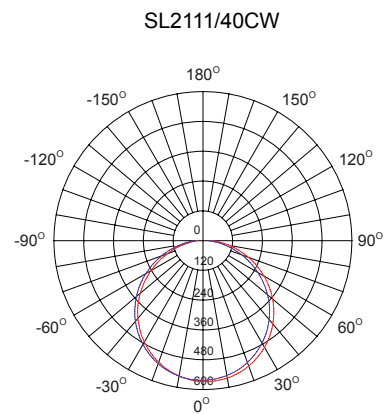
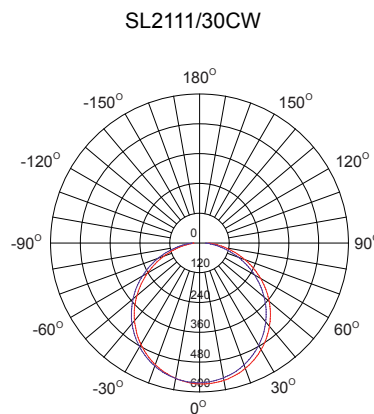
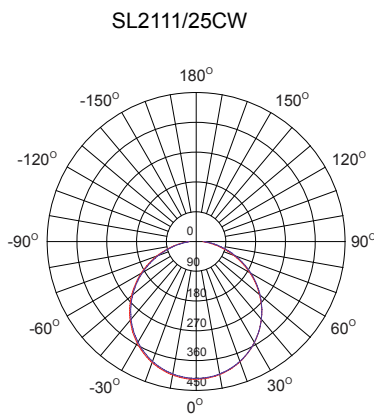
DIMENSIONS



Model No.	Input	Power	Lumen	CCT	CRI	Fitting Colour	Dimensions Ø x H
SL2111/25CW/SL	240V	12W	1180lm	4000K	>80	Silver	250 x 48 mm
SL2111/30CW/SL	240V	18W	1700lm	4000K	>80	Silver	300 x 48 mm
SL2111/40CW/SL	240V	25W	2300lm	4000K	>80	Silver	400 x 63mm

PHOTOMETRIC DATA

UNIT: cd C0/C180 — C90/270 —



LED OYSTER LIGHT

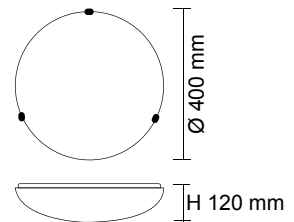
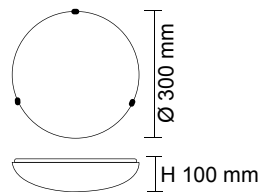
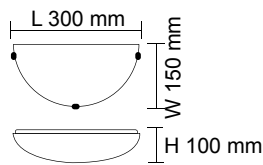
SO2101 LED ALABASTER

LED OYSTER

SW2101, SO2101/30, SO2101/40 ALABASTER



DIMENSIONS



CONSTRUCTION

- Powder coated steel base
- Die-cast clips with various colours
- Alabaster glass diffuser
- Built-in E27 lampholder(s) or LED conversion kit
- Lamps NOT included

IP RATING

- IP20 suitable for interior use only

LAMP OPTIONS

- LG5, LG9
- LGS4, LGS8, LGS10, LGS14D
- LT407, LT409

Model No.	Input	Power	Lumen	CCT	CRI
SO2101/30 LED	240V	12W	1200lm	3000K / 4000K / 6000K	>80
SO2101/40 LED	240V	20W	1800lm	3000K / 4000K / 6000K	>80

Model No.	Input	Clips Colour	Lamp Base
SW2101 WH	240V	White	E27
SW2101 SC	240V	Satin Chrome	E27
SW2101 GD	240V	Gold	E27
SW2101 CH	240V	Chrome	E27
SW2101 AB	240V	Antique Brass	E27

Model No.	Input	Clips Colour	Lamp Base
SO2101/30 WH	240V	White	E27
SO2101/30 SC	240V	Satin Chrome	E27
SO2101/30 GD	240V	Gold	E27
SO2101/30 CH	240V	Chrome	E27
SO2101/30 AB	240V	Antique Brass	E27

CLIP COLOURS



Model No.	Input	Clips Colour	Lamp Base
SO2101/40 WH	240V	White	E27 x 2
SO2101/40 SC	240V	Satin Chrome	E27 x 2
SO2101/40 GD	240V	Gold	E27 x 2
SO2101/40 CH	240V	Chrome	E27 x 2
SO2101/40 AB	240V	Antique Brass	E27 x 2

LED OYSTER LIGHT

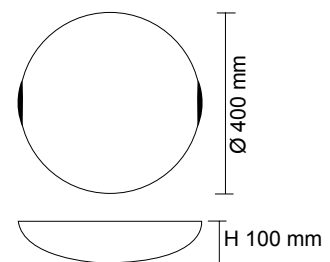
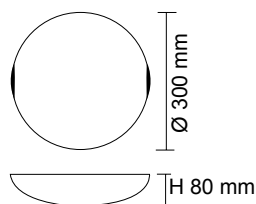
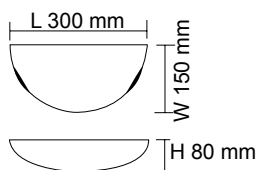
SO3109 LED SOLAR

LED OYSTER

SW3109, SO3109/30, SO3109/40 SOLAR



DIMENSIONS



CONSTRUCTION

- Powder coated steel base
- Satin Nickel plated clips
- Frosted glass diffuser
- Built-in E27 lampholder(s) or LED conversion kit
- Lamps NOT included

IP RATING

- IP20 suitable for interior use only

LAMP OPTIONS

- LG5, LG9
- LGS4, LGS8, LGS10, LGS14D
- LT407, LT409

Model No.	Input	Power	Lumen	CCT	CRI
SO3109/30 LED	240V	12W	1200lm	3000K / 4000K / 6000K	>80
SO3109/40 LED	240V	20W	1800lm	3000K / 4000K / 6000K	>80

Model No.	Input	Clips Colour	Lamp Base
SW3109	240V	Satin Nickel	E27
SO3109/30	240V	Satin Nickel	E27
SO3109/40	240V	Satin Nickel	E27 x 2

DIMMABLE LED CEILING LIGHT

SO3000 HALO



CONSTRUCTION

- Slim disc like appearance
- Polycarbonate body
- Simple twist lock installation mechanism
- Opal acrylic diffuser
- High efficiency SMD LED chips
- Built-in constant current trailing edge dimmable LED driver

IP RATING

- IP20 suitable for interior use only

TRIM COLOUR

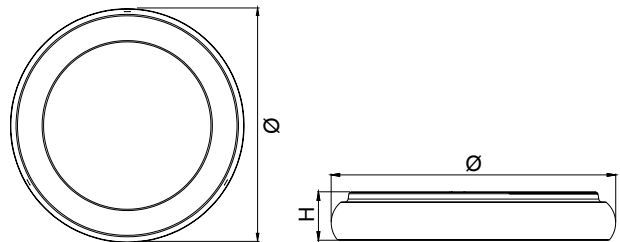
- Black (standard)
- Silver (option)

COLOUR TEMPERATURE

- 4000K Cool White (standard)
- 3000K Warm White (option)
- 5700K Daylight (option)

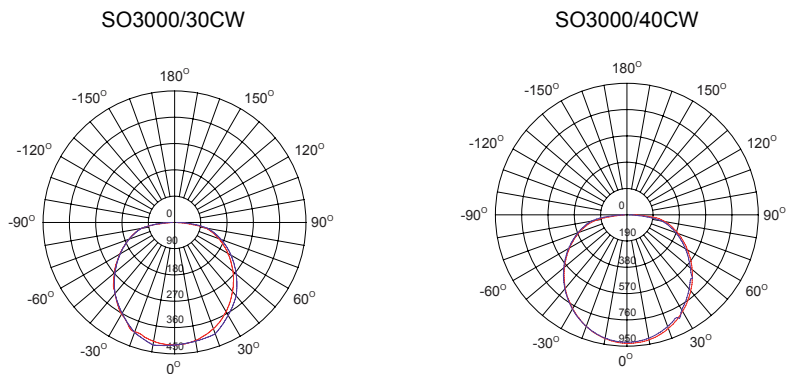


DIMENSIONS



Model No.	Input	Power	Lumen	CCT	CRI	Fitting Colour	Dimensions Ø x H
SO3000/30CW	240V	18W	1450lm	4000K	>80	Black	300 x 51 mm
SO3000/40CW	240V	35W	3300lm	4000K	>80	Black	400 x 68 mm

PHOTOMETRIC DATA UNIT: cd C0/C180 — C90/270 —



DIMMABLE LED PENDANT LIGHT

SPL3000 HALO



CONSTRUCTION

- Slim disc like appearance
- Polycarbonate body
- Opal acrylic diffuser
- High efficiency SMD LED chips
- Built-in constant current trailing edge dimmable LED driver
- Suspension kits provided (standard length 1.5 m and adjustable)

IP RATING

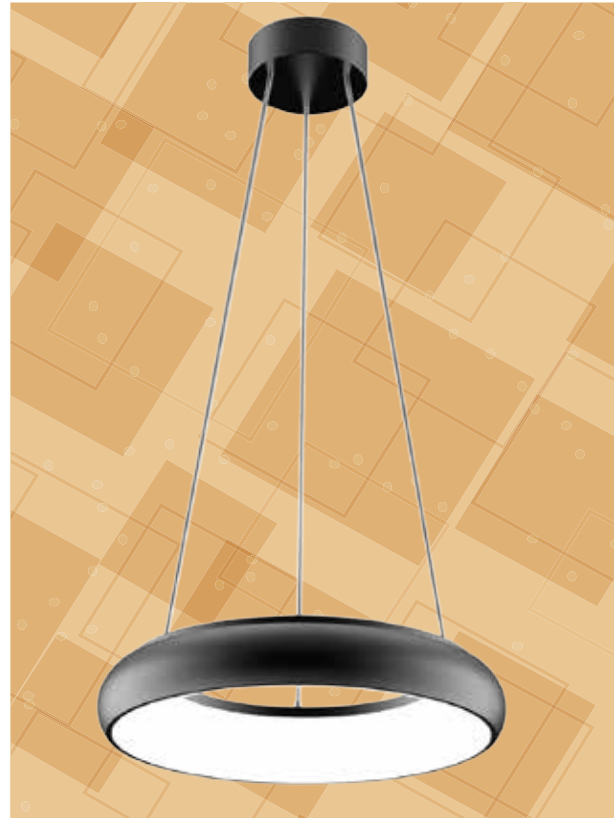
- IP20 suitable for interior use only

TRIM COLOUR

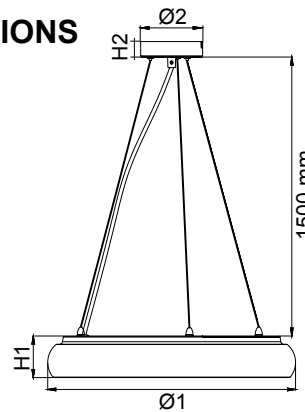
- Black (standard)
- Silver (option)

COLOUR TEMPERATURE

- 4000K Cool White (standard)
- 3000K Warm White (option)
- 5700K Daylight (option)



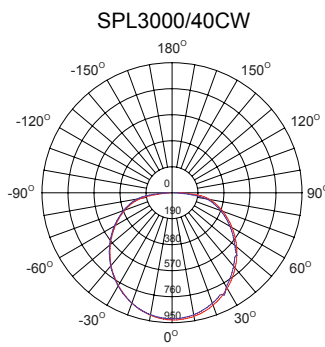
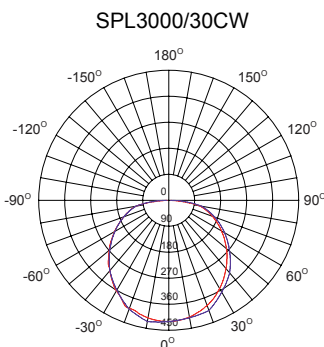
DIMENSIONS



Model No.	Input	Power	Lumen	CCT	CRI	Fitting Colour	Dimensions Ø1 x H1, Ø2 x H2
SPL3000/30CW	240V	18W	1450lm	4000K	>80	Black	300 x 51, 100 x 25 mm
SPL3000/40CW	240V	35W	3300lm	4000K	>80	Black	400 x 68, 130 x 35 mm

PHOTOMETRIC DATA

UNIT: cd C0/C180 — C90/270



Specifications above are for reference only and may vary without prior notice



Dimmer/Switch Compatible



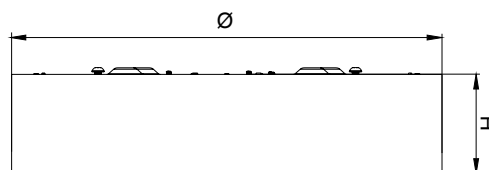
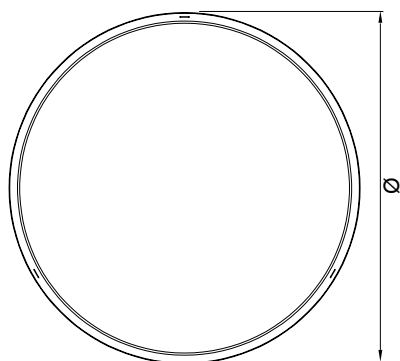
www.sal.net.au

DIMMABLE LED OYSTER LIGHT

SL2110 FLAT



DIMENSIONS



CONSTRUCTION

- Seamless surface mounting base
- Polycarbonate diffuser
- Simple twist lock installation mechanism
- Constant current trailing edge dimmable LED driver fitted

IP RATING

- IP20 suitable for interior use only

COLOUR TEMPERATURE

- 4000K Cool White (standard)
- 3000K Warm White (option)
- 6000K Daylight (option)

DIMMING OPTIONS

- DALI / DSI, digital (SL2110/30 & SL2110/40 only)

INSTALLATION OPTION

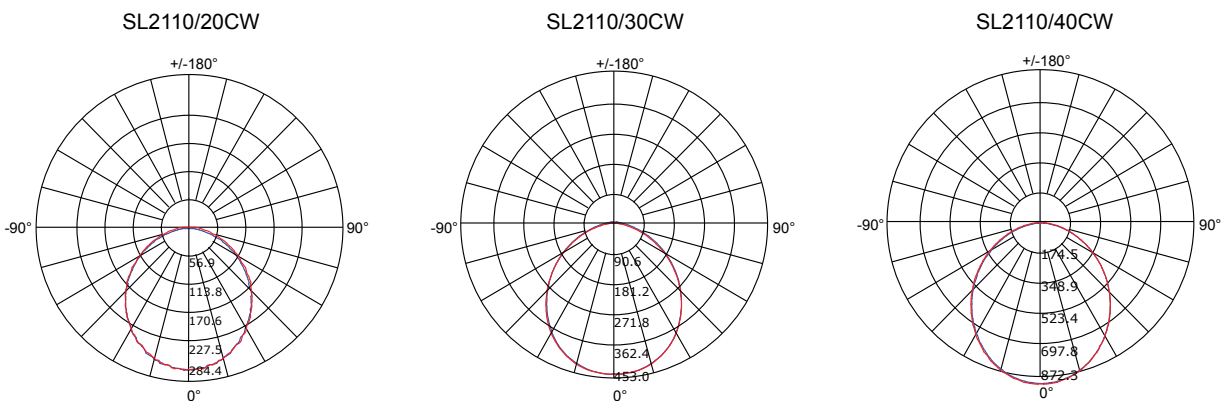
- SL2110/30, SL2110/40, SL2110/50: suspension kits provided (standard length 1.5 m and adjustable)



*Image shown with suspension kit

Model No.	Input	Power	Lumen	CCT	CRI	Fitting Colour	Dimensions Ø x H
SL2110/10CW	240V	5W	180lm	4000K	>80	White	100 x 50 mm
SL2110/20CW	240V	12W	780lm	4000K	>80	White	160 x 50 mm
SL2110/30CW	240V	18W	1200lm	4000K	>80	White	260 x 60 mm
SL2110/40CW	240V	30W	2300lm	4000K	>80	White	350 x 60 mm
SL2110/50CW	240V	40W	3200lm	4000K	>80	White	480 x 60 mm

PHOTOMETRIC DATA UNIT: cd C0/C180 _____

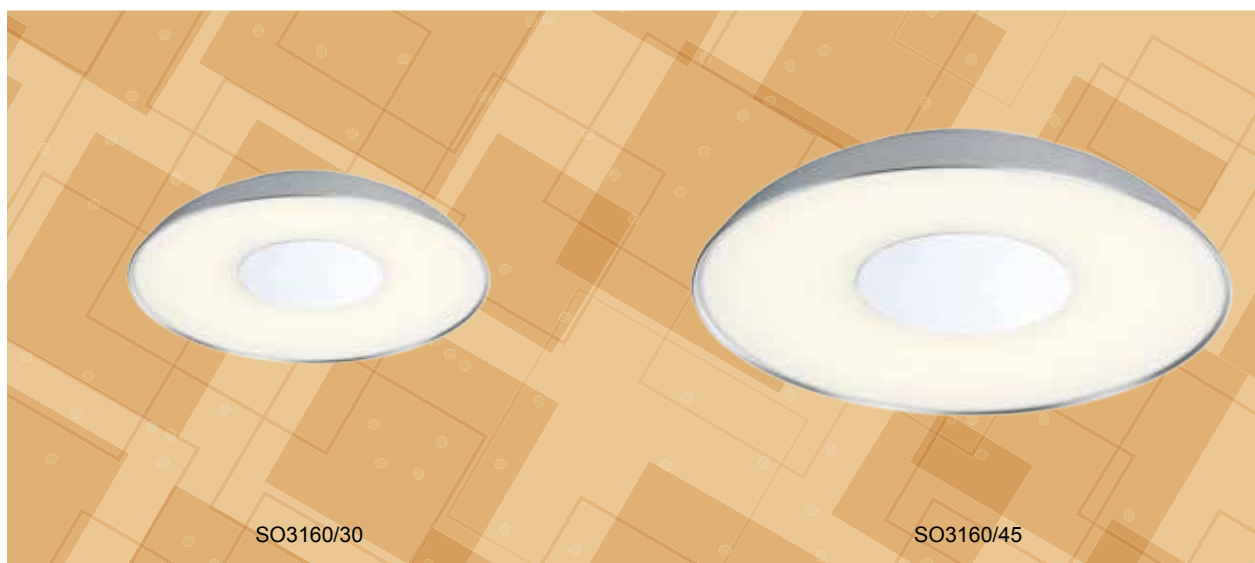


Specifications above are for reference only and may vary without prior notice

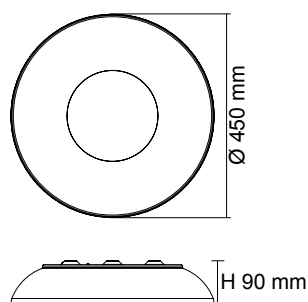
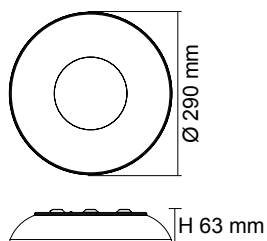


LED OYSTER LIGHT

SO3160 SHELL



DIMENSIONS



CONSTRUCTION

- Premier aluminium housing
- Chrome plated centre locking disc
- Opal acrylic diffuser
- High efficiency SMD LED chips
- Built-in constant current non-dimmable LED driver

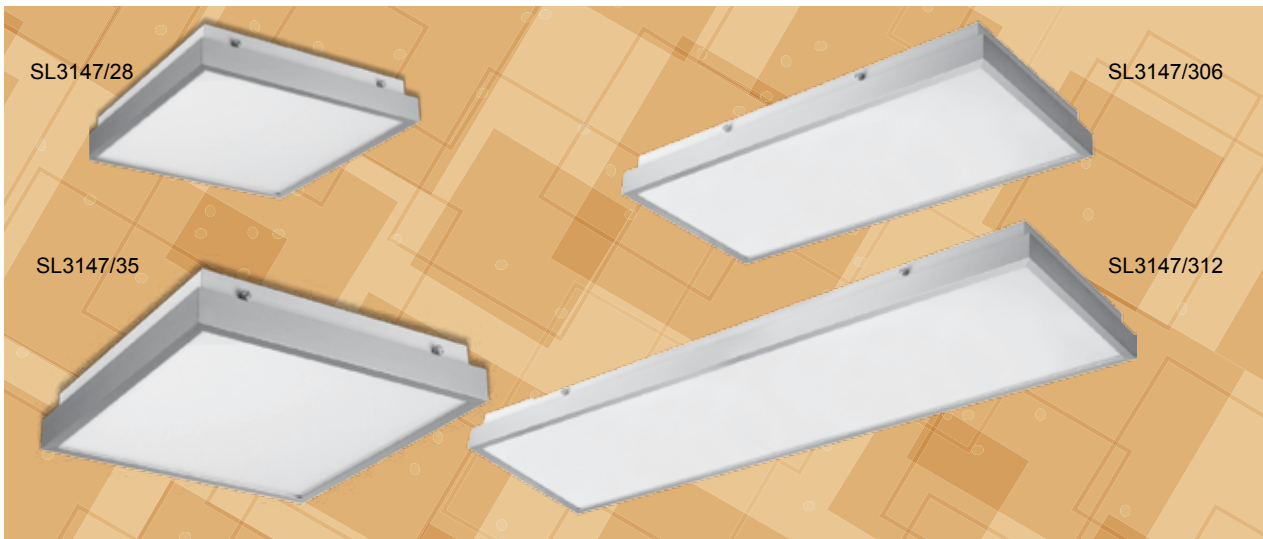
IP RATING

- IP20 suitable for interior use only

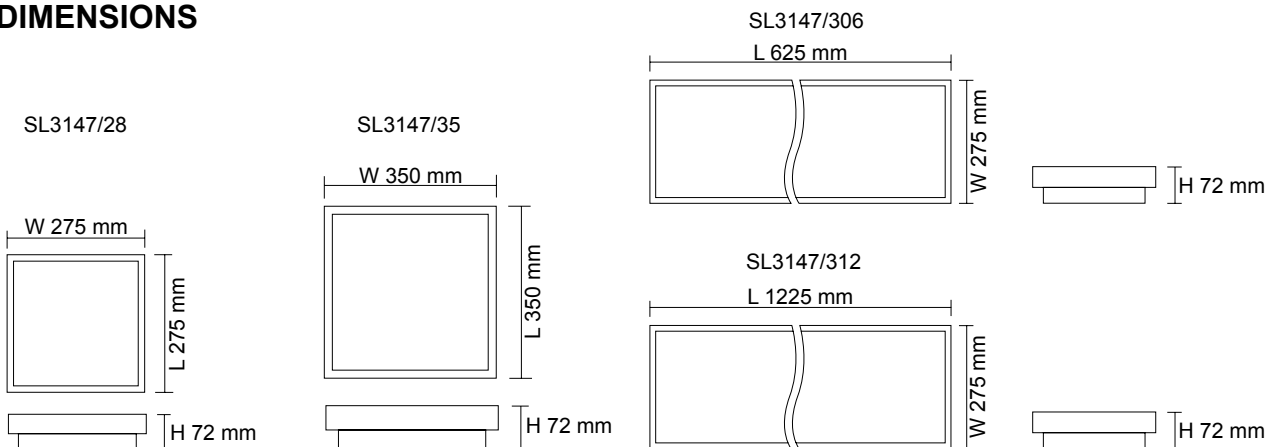
Model No.	Input	Power	Lumen	CCT	Beam Angle	CRI	Fitting Colour	Dimensions Ø x H
SO3160/30	240V	14W	900lm	3000K	90°	>80	Anodized Silver	290 x 63 mm
SO3160/45	240V	30W	1800lm	3000K	90°	>80	Anodized Silver	450 x 90 mm

LED CEILING LIGHT

SL3147 FLORIO



DIMENSIONS



CONSTRUCTION

- Extruded aluminium frame
- Powder coated steel base
- Opal polystyrene diffuser
- High efficiency SMD LED chips
- Constant current non-dimmable LED driver fitted

IP RATING

- IP20 suitable for interior use only

SENSOR OPTION

- Integrated microwave motion sensor
- Integrated microwave motion sensor with standBY function

DIMMING OPTIONS

- Trailing edge (excluding SL3147/312)
- 1-10V analogue
- DALI / DSI, digital

INSTALLATION OPTION (SL3147/306, SL3147/312)

- Surface mounted
- Suspension unit required (SSI1512 or SSI1512)

Model No.	Input	Power	Lumen	CCT	Beam Angle	CRI	Fitting Colour	Dimensions L x W X H
SL3147/28CW	240V	14W	900lm	4000K	110°	>80	Anodized Silver	275 x 275 X 72 mm
SL3147/35CW	240V	22W	1500lm	4000K	110°	>80	Anodized Silver	350 x 350 X 72 mm
SL3147/306 CW	240V	21W	1400lm	4000K	110°	>80	Anodized Silver	625 x 275 X 72 mm
SL3147/312 CW	240V	41W	2800lm	4000K	110°	>80	Anodized Silver	1225 x 275 X 72 mm

LED PENDANT LIGHT

SPL015 INDUSTRIAL

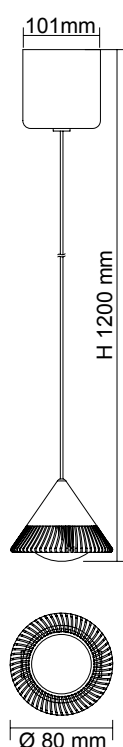
CONSTRUCTION

- Extruded aluminium body
- Frosted glass diffuser
- High output LED chips
- Built-in constant current non-dimmable LED driver

IP RATING

- IP20 suitable for interior use only

DIMENSIONS



Model No.	Input	Power	Lumen	CCT	Beam Angle	CRI	Fitting Colour
SPL015	240V	12W	700lm	3000K	60°	>80	Anodized Silver

LED PENDANT LIGHT

SPL016 URBAN

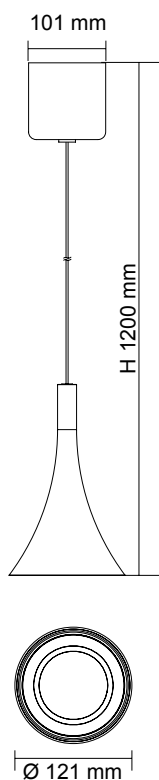
CONSTRUCTION

- Extruded aluminium body with glass housing
- Multi-glass lens
- High output LED chips
- Built-in constant current non-dimmable LED driver

IP RATING

- IP20 suitable for interior use only

DIMENSIONS



Model No.	Input	Power	Lumen	CCT	Beam Angle	CRI	Fitting Colour
SPL016	240V	9W	500lm	3000K	15°	>80	Anodized Silver

LED PENDANT LIGHT

SPL018 CHIC

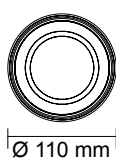
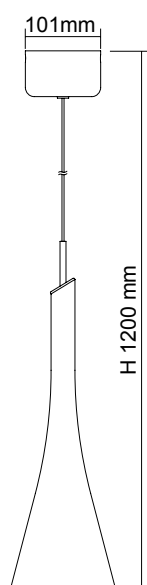
CONSTRUCTION

- Extruded aluminium body with glass housing
- Frosted glass diffuser
- High output LED chips
- Built-in constant current non-dimmable LED driver

IP RATING

- IP20 suitable for interior use only

DIMENSIONS



Model No.	Input	Power	Lumen	CCT	Beam Angle	CRI	Fitting Colour
SPL018	240V	20W	1000lm	3000K	75°	>80	Anodized Silver

LED PENDANT LIGHT

SPL019 DROP

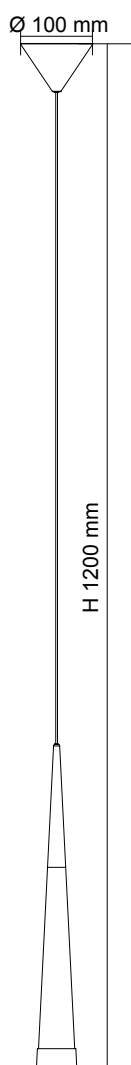
CONSTRUCTION

- Aluminium body
- Opal acrylic diffuser
- High output LED chips
- Built-in constant current non-dimmable LED driver

IP RATING

- IP20 suitable for interior use only

DIMENSIONS



Model No.	Input	Power	Lumen	CCT	Beam Angle	CRI	Fitting Colour
SPL019	240V	6.5W	350lm	3000K	60°	>80	Anodized Silver

LED PENDANT LIGHT

SPL020 PIP

CONSTRUCTION

- Ultra Slimline suspended tube profile
- Ultra slim recessed ceiling plate to suit standard 72 mm cut out
- Die-cast aluminium body
- High efficiency COB LED chip
- Recessed downlight mounting installation
- Standard adjustable wire length up to 1.2 m
- Built-in constant current non-dimmable LED driver

IP RATING

- IP20 suitable for interior use only

FITTING COLOUR

- White (standard)
- Black (option)

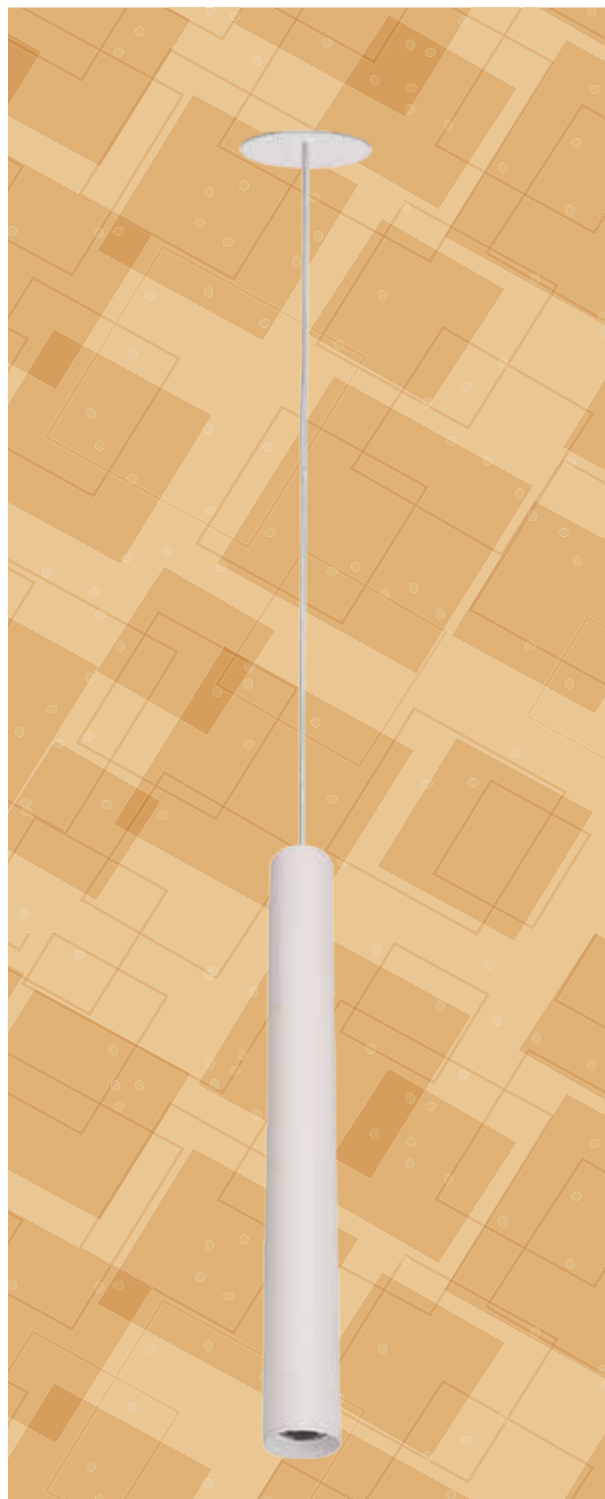
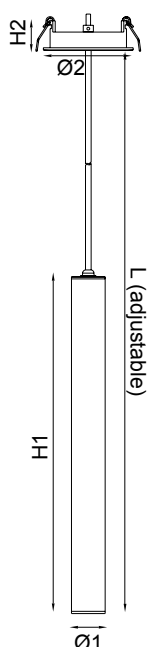
BEAM ANGLE

- 25° (standard)
- 10°, 40° optical reflector (option)

COLOUR TEMPERATURE

- 3000K Warm White (standard)
- 4000K Cool White (option)
- 6000K Daylight (option)

DIMENSIONS



Model No.	Input	Power	Lumen	CCT	Beam Angle	CRI	Cut Out Ø	Dimension Ø1 x H1, Ø2 x H2
SPL020WW30	240V	5W	160lm	3000K	25°	>80	72 mm	30 x 300 mm, 80 x 26 mm
SPL020WW45	240V	5W	160lm	3000K	25°	>80	72 mm	30 x 450 mm, 80 x 26 mm

DIMMABLE LED PENDANT LIGHT

SPL9017 UNITREK



CONSTRUCTION

- Architectural cylindrical profile
- Die-cast aluminium body
- High efficiency COB LED chip
- Changeable multi-reflector system
- Polycarbonate optical lens
- Built-in constant current trailing edge dimmable LED driver
- Standard adjustable wire length up to 1.2 m

IP RATING

- IP20 suitable for interior use only

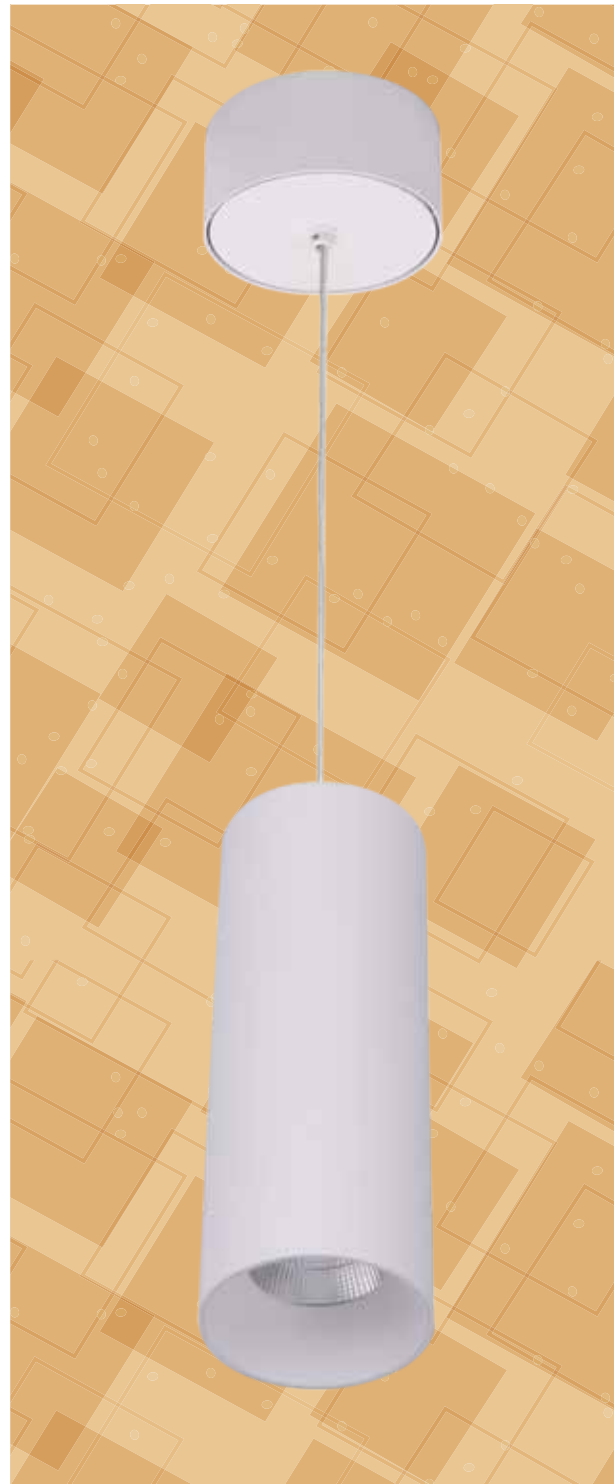
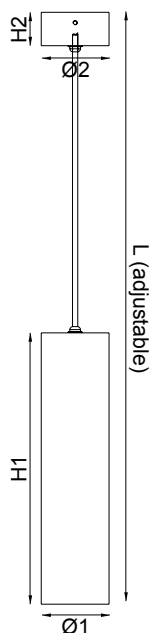
FITTING COLOUR

- White (standard)
- Black (option)

BEAM ANGLE

- 60° (standard)
- 25°, 40° optical reflector (option)

DIMENSIONS



Model No.	Input	Power	Lumen	CCT	Beam Angle	CRI	Dimension Ø1 x H1, Ø2 x H2
SPL9017WW/WH	240V	9W	700lm	3000K	60°	>80	65 x 260, 65 x 32 mm
SPL9017CW/WH	240V	9W	800lm	4000K	60°	>80	65 x 260, 65 x 32 mm
SPL9017DL/WH	240V	9W	800lm	6000K	60°	>80	65 x 260, 65 x 32 mm

LED PENDANT LIGHT

SPL3200 RING

CONSTRUCTION

- Aluminium body
- Opal acrylic diffuser
- High efficiency SMD LED chips
- Constant current non-dimmable LED driver fitted

IP RATING

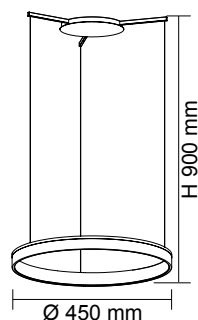
- IP20 suitable for interior use only

DIMMING OPTIONS

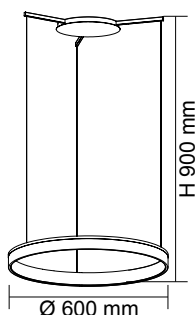
- Trailing edge (excluding SPL3200/81, SPL3200/2R)

DIMENSIONS

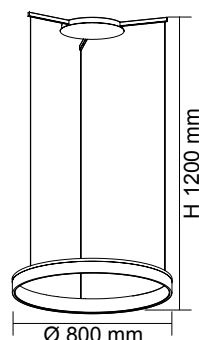
SPL3200/46



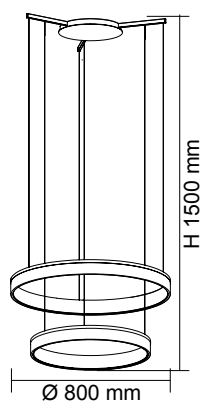
SPL3200/60



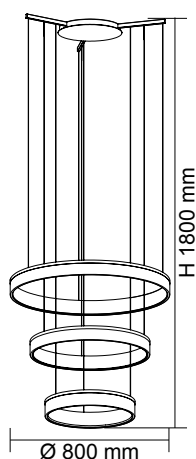
SPL3200/81



SPL3200/2R



SPL3200/3R



Model No.	Input	Power	Lumen	CCT	CRI	Fitting Colour
SPL3200/46	240V	17W	900lm	3000K	>80	Black
SPL3200/60	240V	23W	1200lm	3000K	>80	Black
SPL3200/81	240V	30W	1500lm	3000K	>80	Black
SPL3200/2R	240V	53W	2700lm	3000K	>80	Black
SPL3200/3R	240V	70W	3600lm	3000K	>80	Black



LED PENDANT LIGHT

SPL3100 CLASSIC RING

CONSTRUCTION

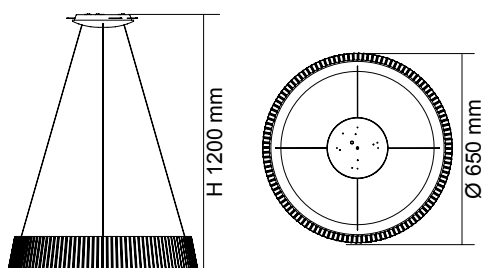
- Polyurethane body
- Opal acrylic diffuser
- High efficiency SMD LED chips
- Built-in constant current non-dimmable LED driver

IP RATING

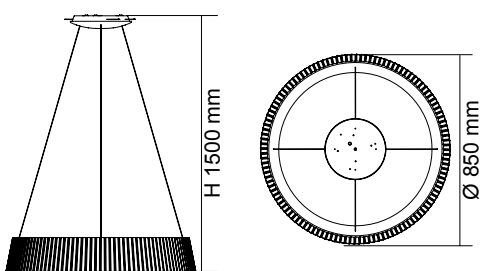
- IP20 suitable for interior use only

DIMENSIONS

SPL3100/64



SPL3100/84



Model No.	Input	Power	Lumen	CCT	CRI	Fitting Colour
SPL3100/64	240V	45W	2250lm	3000K	>80	White
SPL3100/84	240V	67W	3300lm	3000K	>80	White

DIMMABLE LED FLOOR LAMP

SFL018 STAN



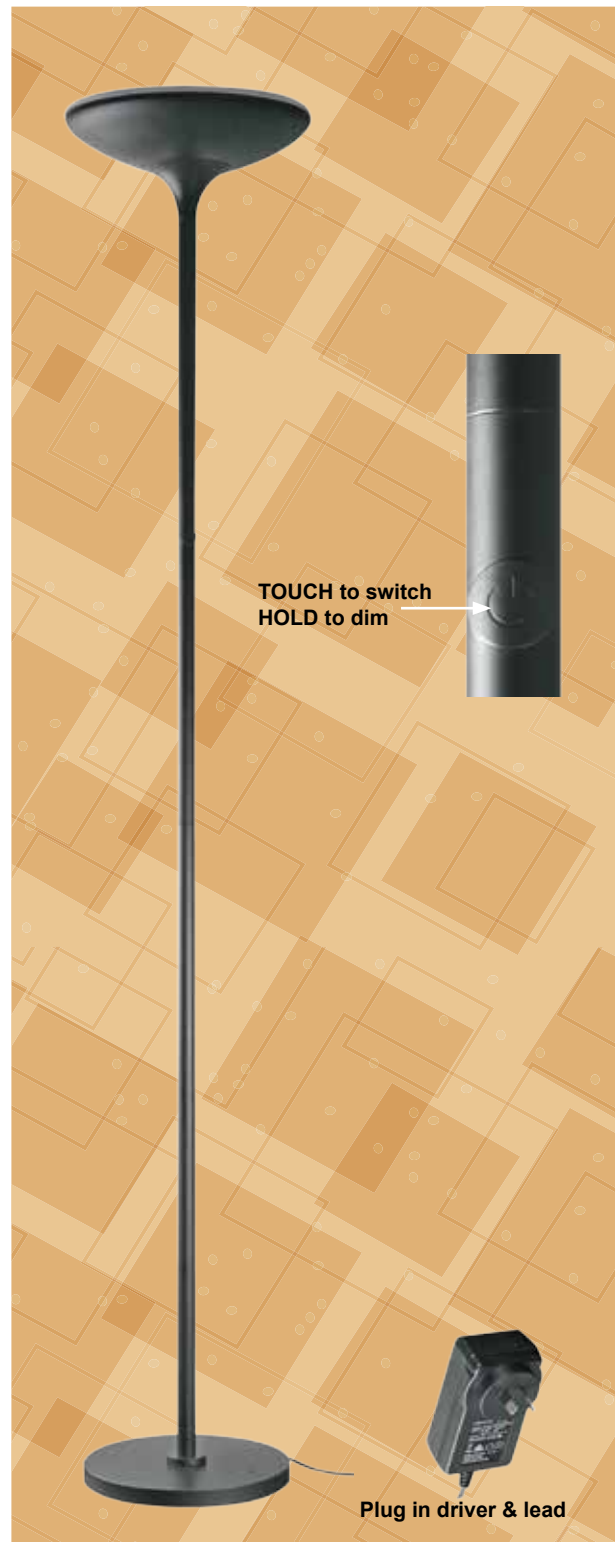
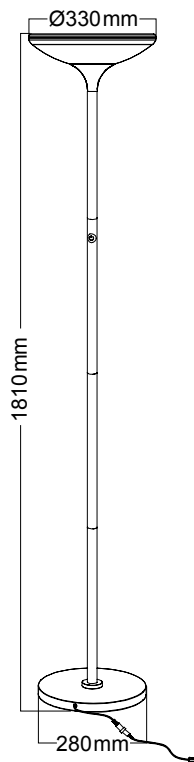
CONSTRUCTION

- Black aluminium body with polycarbonate diffuser
- Powder coated finish
- Built-in constant current trailing edge dimmable LED driver
- Touch dimmable with a memory function
- Beam upwards
- Compact packaging, easy to assemble
- Supplied with a 2 pin plug-in driver & 1.5 m lead

IP RATING

- IP20 suitable for interior use only

DIMENSIONS



Model No.	Input	Power	Lumen	CCT	Beam Angle	CRI	Dimmable	Fitting Colour
SFL018WW	240V	43W	3000lm	3000K	120°	>80	Yes	Black