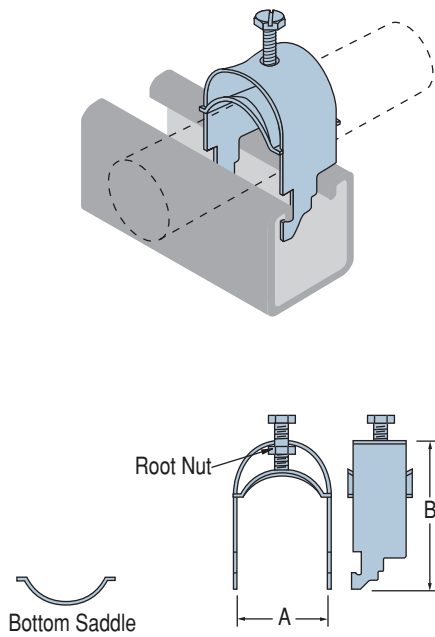


CLAMPS FOR CHANNEL

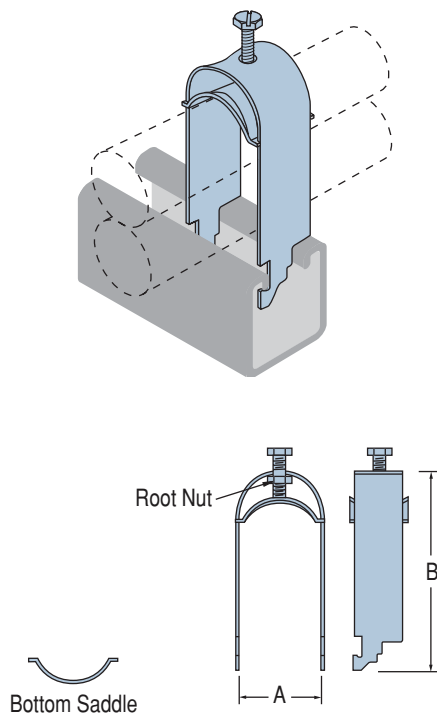
KS2026-1 Series – Single Cable Clamp



Part No.	Cable Dia.	Dim. A	Dim. B	Mass Kg/100
KS2026-1	13	16	50	5.1
KS2028-1	19	22	58	6.2
KS2030-1	25	29	66	6.8
KS2032-1	32	35	71	8.0
KS2034-1	38	44	78	14.1
KS2036-1	44	51	86	16.0
KS2038-1	51	57	92	17.2
KS2040-1	57	64	98	19.0
KS2042-1	64	70	105	20.8
KS2044-1	70	76	113	22.8
KS2046-1	76	83	122	24.0

Note: Bottom Saddle if required can be ordered separately

KS2026-2 Series – Double Cable Clamp



Part No.	Cable Dia.	Dim. A	Dim. B	Mass Kg/100
KS2026-2	13	16	64	6.1
KS2028-2	19	22	76	7.5
KS2030-2	25	29	91	9.0
KS2032-2	32	35	102	9.7
KS2034-2	38	44	118	18.2
KS2036-2	44	51	128	20.2
KS2038-2	51	57	143	22.8
KS2040-2	57	64	156	26.0
KS2042-2	64	70	170	28.0
KS2044-2	70	76	185	31.6
KS2046-2	76	83	198	33.6

Note: Bottom Saddle if required can be ordered separately