

# UNISTRUT® BEAM CLAMPS

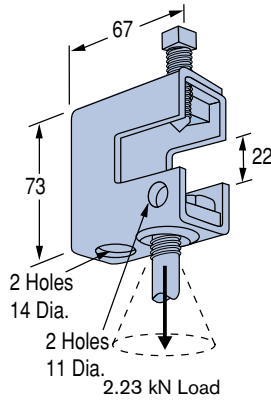
## APPLICATION

Beam Clamps are designed to provide a fast easy attachment to overhead structures. They alleviate the need for drilling and welding as well as being completely adjustable.

**Finishes** – Standard finishes as shown.

**Design Bolt Torque** – Refer to Engineering Data (page 49)

### P2676



**Mass:** 31kg/100

**Beam Attachment Applications:**

Clamp P2676 provides a means of rod suspension, either fixed, or where a free swing of up to 15 degrees is required. Swivel nuts to be ordered separately.

Clamp may also be used with P2677 as illustrated in application drawings.

**Standard Finishes:**

Z.P, H.D.G. & S.S.

M12 x 50 cone-pointed screw & nut included

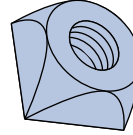
Clamp material 3mm thick

Swivel nut and lock nut not included

Rod size up to M12

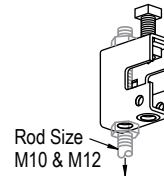
Rod swivel 15° all directions

### P2676 – SWIVEL NUT

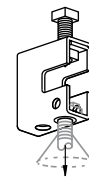


Part No.	Size	Mass kg/100
P267910	M10	1.7
P267912	M12	1.5

Note: Swivel nuts are used with P2676 and P2677. Order size as required.

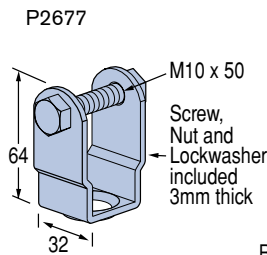


Design Load  
1.33 kN



Design Load  
2.23 kN

### P2677

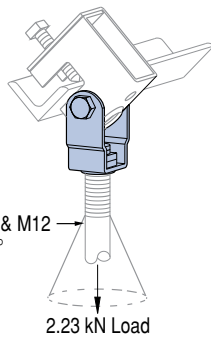


**Mass:** 13.6kg/100

P2677 clevis hanger to be used with P2676 to provide angle adjustment and 15 degree free swing for up to M12 rod suspension. Order P2679 series swivel nuts required.

**Standard Finishes:** Z.P

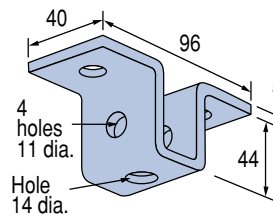
### P2676 & P2677



Rod size M10 & M12  
Rod swivel 15°  
all directions

2.23 kN Load

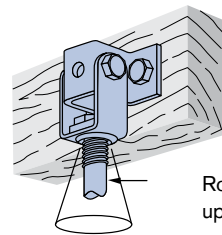
### P2682



**Mass:** 23kg/100

Hanger clevis for up to M12 rod suspension. Suitable for wood ceilings. May also be used with P2677 as illustrated in application drawings.

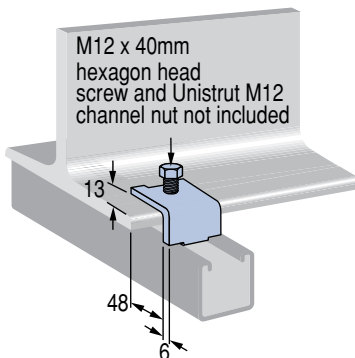
**Standard Finishes:** Z.P



Rod size  
up to M12

Rod size up to M12  
Rod swivel 15°  
all directions

### P1386



M12 x 40mm  
hexagon head  
screw and Unistrut M12  
channel nut not included

**Mass:** 12kg/100

**Design Load each:**

P1000® - 2.67kN

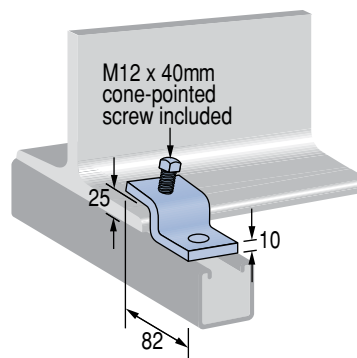
P2000 - 2.00kN

**Standard Finishes:**

Z.P. & H.D.G

**Use in pairs only**

### P1379



M12 x 40mm  
cone-pointed  
screw included

**Mass:** 34kg/100

**Design Load each:**

P1000® - 2.67kN

P2000 - 2.00kN

**Standard Finishes:**

Z.P. & H.D.G

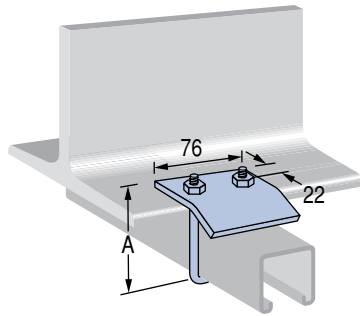
**Each clamp requires:**

M12 x 30 Hex Head Set Screw and  
M12 Channel Nut (not included)

**Use in pairs only**

# UNISTRUT® BEAM CLAMPS

## P2785 & P2786



**P2785 accepts following channels:**  
P1000®, P2000, P3300, P4000  
**A = 86 Mass: 38kg/100**  
For use with beams up to 19mm

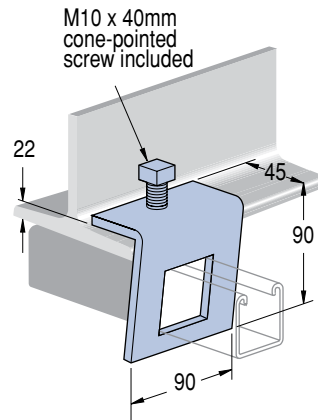
**P2786 accepts following channels:**  
P1001, P2001, P5500  
**A = 127 Mass: 41kg/100**  
For use with beams up to 19mm

**Design Load each:**  
4.45kN

**Standard Finishes:**  
Z.P. & H.D.G. + SS

Use in pairs only

## P1796



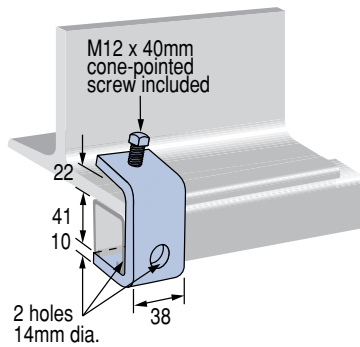
**Mass:** 49kg/100  
Suits P1000® & P2000

**Design Load each:**  
2.22kN

**Standard Finishes:**  
Z.P. & H.D.G.

Use in pairs only

## P1271



**Mass:** 43kg/100

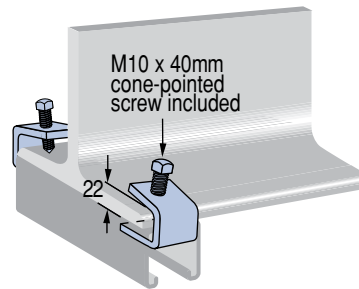
**Design Load each:**  
2.22kN

**Standard Finishes:**  
H.D.G.

Requires P1010 Channel nut & bolt

Use in pairs only

## P1272



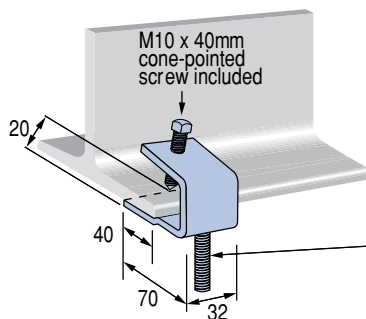
**Mass:** 18kg/100

**Design Load Per Pair:**  
2.00kN

**Standard Finishes:**  
Z.P., H.D.G., & S.S.

Use in pairs only

## P1270



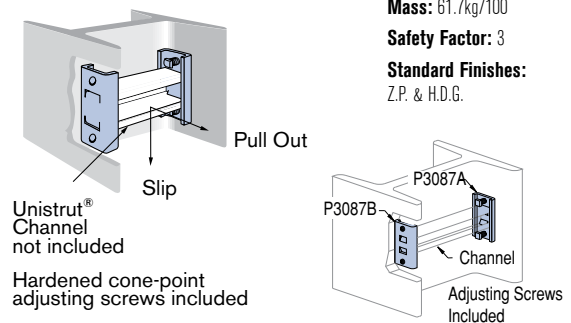
**Mass:** 29kg/100

**Design Load each:**  
0.38kN

**Standard Finishes:**  
Z.P. & H.D.G.

Tapped hole to accept M10 Unirod, to be secured with M10 nut (not included)

## P3087



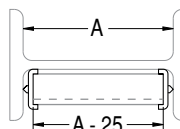
**Mass:** 61.7kg/100

**Safety Factor:** 3

**Standard Finishes:**  
Z.P. & H.D.G.

Unistrut® Channel not included

Hardened cone-point adjusting screws included



Channel Type	Design Pullout Load kN	Design Slip Load kN
P1000	4.45	3.56
P2000	2.22	1.33