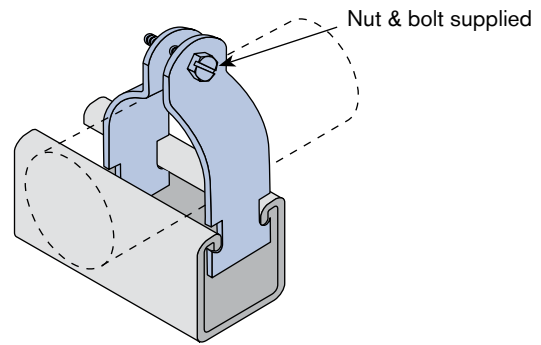


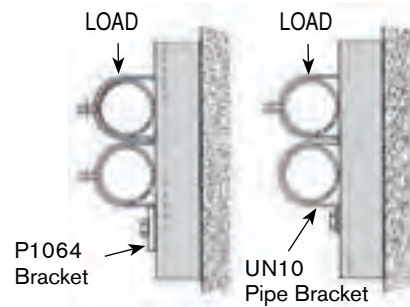
UNISTRUT® PIPE SUPPORTS – LIGHT DUTY

P2024 PIPE SUPPORTS

Part No GB	D mm	kg	Part No GB	D mm	kg
P2024	8	0.04	P2051	92	0.25
P2025	11	0.04	P2052	95	0.26
P2026	14	0.04	P2053	98	0.27
P2027	17	0.05	P2054	102	0.28
P2028	19	0.05	P2055	105	0.28
P2029	22	0.05	P2056	108	0.29
P2030	25	0.06	P2057	111	0.30
P2031	29	0.07	P2058	114	0.30
P2032	32	0.07	P2059	117	0.32
P2033	35	0.08	P2060	121	0.33
P2034	38	0.08	P2062	127	0.34
P2035	43	0.09	P2064	133	0.35
P2036	44	0.11	P2066	140	0.36
P2037	49	0.13	P2068	146	0.41
P2038	51	0.14	P2070	152	0.43
P2039	54	0.15	P2070-62	159	0.45
P2040	57	0.15	P2070-64	165	0.46
P2041	60	0.15	P2070-66	171	0.47
P2042	64	0.16	P2070-70	178	0.49
P2043	67	0.17	P2070-74	191	0.53
P2044	70	0.17	P2070-80	203	0.56
P2045	73	0.18	P2070-84	216	0.59
P2046	76	0.19	P2070-225	225	0.62
P2047	79	0.20	P2070-230	230	0.63
P2048	83	0.21	P2070-240	240	0.65
P2049	86	0.21	P2070-250	250	0.68
P2050	90	0.21	P2070-260	260	0.71



Also available in Hot Dipped Galvanised Finish.

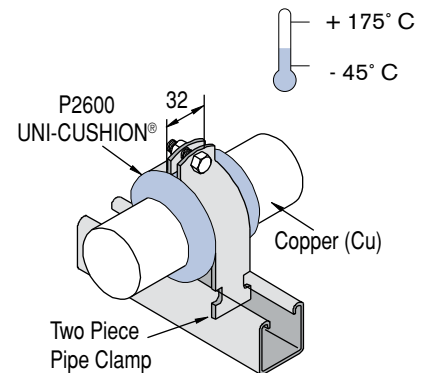


NOTE: When used in the application illustrated, it is recommended that the lower clamp be supported against possible slippage. Where P2024 series clamps are restraining pipework subject to vibration, the use of P2600 UNI-CUSHION® is recommended.

Standard Finish: Zinc Plated

P2600 UNI-CUSHION® AND CUTTING GUIDE

O.D. Size mm	Use with Clamp	UNI-CUSHION® Length mm	O.D. Size mm	Use with Clamp	UNI-CUSHION® Length in mm	O.D. Size mm	Use with Clamp	UNI-CUSHION® Length mm
6.4	P2025	22.2	57.2	P2041	184.2	108	P2057	330.2
9.5	P2026	27	60.3	P2042	190.5	111.1	P2058	342.9
12.7	P2027	38.1	63.5	P2043	203.2	114.3	P2059	355.6
15.9	P2028	54	66.7	P2044	209.6	117.5	P2060	362
19.1	P2029	57.2	69.9	P2045	222.3	123.8	P2062	381
22.2	P2030	76.2	73	P2046	235	130.2	P2064	406.4
25.4	P2031	82.6	76.2	P2047	241.3	136.5	P2066	419.1
28.6	P2032	92.1	79.4	P2048	254	142.9	P2068	444.5
31.8	P2033	101.6	82.6	P2049	266.7	149.2	P2070	463.6
34.9	P2034	114.3	85.7	P2050	273.1	155.6	P2070-62	482.6
38.1	P2035	123.8	88.9	P2051	279.4	161.9	P2070-64	501.7
41.3	P2036	133.4	92.1	P2052	285.8	168.3	P2070-66	520.7
44.5	P2037	139.7	95.3	P2053	292.1	174.6	P2070-70	539.8
47.6	P2038	152.4	98.4	P2054	298.5	187.3	P2070-74	577.9
50.8	P2039	165.1	101.6	P2055	304.8	200	P2070-80	622.3
54	P2040	171.5	104.8	P2056	317.5			



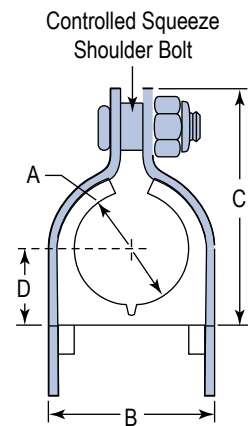
Part No.	W mm	T mm	Dispenser Pack	kg
P2600	32	2.0	7.6m	1.7

- Shock absorption
- Protection from corrosion and abrasion
- Allowance for expansion and contraction
- Sound and vibration isolation
- Stability in use from -45°C to +175°C
- Flexible elastomer material
- Packaged in handy 7.6m dispenser pack

UNISTRUT® PIPE SUPPORTS – LIGHT DUTY

CUSH-A-CLAMP®

Part No.	TUBE SERIES ASSEMBLY		Dimensions				Kg /100
	Copper & Steel Tube OD Size	Copper Water Pipe (Nominal)	"A"	"B"	"C"	"D"	
			(mm)	(mm)	(mm)	(mm)	
004T008	1/4"		6.4	15.7	24.9	6.9	4.5
006T010	3/8"	1/4"	9.4	20.8	28.7	8.4	5.0
008T012	1/2"	3/8"	12.7	23.9	34.0	10.2	5.9
010T014	5/8"	1/2"	15.7	26.9	39.1	11.7	6.4
012T016	3/4"	5/8"	19.1	30.5	42.7	13.2	6.4
014T018	7/8"	3/4"	22.1	33.3	46.2	14.7	6.8
016T020	1"		25.4	36.6	49.5	16.5	7.7
018T022	1-1/8"	1"	28.4	39.9	52.8	17.8	8.2
020T024	1-1/4"		31.8	43.2	56.1	19.6	8.2
022T026	1-3/8"	1-1/4"	34.8	46.2	59.4	21.1	9.1
024N028	1-1/2"		38.1	49.5	62.7	22.9	15.0
026N030	1-5/8"	1-1/2"	41.1	52.6	66.0	24.4	15.9
028N032	1-3/4"		44.5	55.9	69.3	25.9	16.8
030N034	1-7/8"		47.5	58.9	72.6	27.7	17.7
032N036	2"		50.8	62.2	77.2	29.2	20.9
034N040	2-1/8"		53.8	65.3	82.0	32.3	21.3
038N044	2-3/8"		60.2	71.6	93.2	35.8	22.2
040N046	2-1/2"		63.5	74.7	96.3	37.1	23.1
042N048	2-5/8"		66.5	78.0	99.6	38.9	24.9
046N052	2-7/8"		72.9	84.3	105.9	42.2	25.9
050N054	3"		76.2	90.7	112.3	45.2	27.2
050N056	3-1/8"		79.2	90.7	112.3	45.2	27.2
053N060	3-5/16"		84.1	100.6	120.7	48.3	28.1
056N062	3-1/2"		88.9	100.3	121.7	50.0	24.9
058N064	3-5/8"		91.9	106.7	126.7	51.6	31.8
064N072	4"		101.6	113.0	137.7	57.9	39.9
066N074	4-1/8"		104.6	116.1	140.7	59.4	42.6
069N076	4-5/16"		110.2	126.0	148.3	61.0	45.4
072N080	4-1/2"		114.3	125.7	150.4	64.3	49.9
082N090	5-1/8"		130.0	141.5	166.1	72.1	56.7
098N106	6-1/8"		155.4	166.9	191.5	84.8	59.0



Part No.	PIPE SERIES ASSEMBLY		Dimensions				Kg /100
	Nominal Pipe Size	"A"	"B"	"C"	"D"		
		(mm)	(mm)	(mm)	(mm)		
009N012	1/4"	13.7	24.9	34.0	10.9	5.9	
011N014	3/8"	17.0	28.7	39.1	12.4	6.4	
014N018	1/2"	21.3	32.8	46.2	14.7	6.8	
017N022	3/4"	26.7	38.1	49.5	17.8	7.7	
021N026	1"	33.3	44.7	59.4	20.6	8.6	
027N032	1-1/4"	42.2	55.1	69.3	25.1	15.9	
030N034	1-1/2"	48.3	59.7	72.6	27.7	17.7	
038N044	2"	60.2	71.6	93.2	35.8	22.2	
046N052	2-1/2"	72.9	84.3	105.9	42.2	25.9	
056N062	3"	88.9	100.3	121.7	50.0	24.9	
064N072	3-1/2"	101.6	113.0	137.7	57.9	39.9	
072N080	4"	114.3	125.7	150.4	64.3	49.9	

CUSH-A-CLAMP® is a Register Trademark of ZSI- Foster

