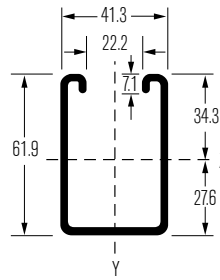


UNISTRUT®

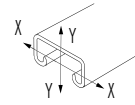
P5500

P5500

PL/GB/HG/TG/SS



Mass: 3.40kg/m



A	-	433mm ²
kg/m	-	3.40 kg/m
I _{x-x}	=	0.197 10 ⁶ mm ⁴
Z _{x-x}	=	5.730 10 ³ mm ³
r _{x-x}	=	21.3mm
I _{y-y}	=	0.131 10 ⁶ mm ⁴
Z _{y-y}	=	6.328 10 ³ mm ³
r _{y-y}	=	17.4mm

L(mm)	Fmax(kN)	fmax(mm)	F(kN)
250	27.04	0.14	57.03
500	13.84	0.57	45.91
750	9.23	1.29	33.78
1000	6.92	2.29	23.85
1250	5.54	3.58	17.38
1500	4.61	5.15	13.76
1750	3.95 (2)	7.01	11.48
2000	3.46 (2)	9.16	9.98
2250	3.08 (2)	11.59	8.72
2500	2.77 (2)	14.31	7.81
2750	2.52 (2)	17.31	7.06
3000	2.31 (2)	20.61	6.43

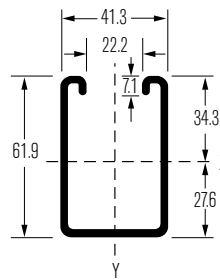
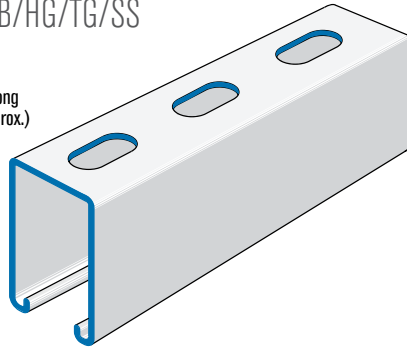
Part No.	Material Thickness	Length
P5500-PL	2.5mm	6m
P55003-PL	2.5mm	3m
P5500-GB	2.5mm	6m
P55003-GB	2.5mm	3m
P5500-HG	2.5mm	6m
P55003-HG	2.5mm	3m

Standard Length: 6m

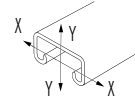
(2) See Note 2 Page 9

P5500T

PL/GB/HG/TG/SS

Slots 14 wide x 28 long
at 50mm centres (approx.)

Mass: 3.12kg/m



A	-	398mm ²
kg/m	-	3.12kg/m
I _{x-x}	=	0.170 10 ⁶ mm ⁴
Z _{x-x}	=	5.322 10 ³ mm ³
r _{x-x}	=	20.7mm
I _{y-y}	=	0.130 10 ⁶ mm ⁴
Z _{y-y}	=	6.300 10 ³ mm ³
r _{y-y}	=	18.1mm

L(mm)	Fmax(kN)	fmax(mm)	F(kN)
250	24.34	0.13	51.33
500	12.46	0.51	41.32
750	8.31	1.16	30.40
1000	6.23	2.06	21.47
1250	4.99	3.22	15.64
1500	4.15	4.64	12.38
1750	3.56 (2)	6.31	10.33
2000	3.11 (2)	8.24	8.90
2250	2.77 (2)	10.43	7.85
2500	2.49 (2)	12.88	7.03
2750	2.27 (2)	15.58	6.35
3000	2.08 (2)	18.55	5.79

Part No.	Material Thickness	Length
P5500T-PL	2.5mm	6m
P55003T-PL	2.5mm	3m
P5500T-GB	2.5mm	6m
P55003T-GB	2.5mm	3m
P5500T-HG	2.5mm	6m
P55003T-HG	2.5mm	3m

Standard Length: 6m

(2) See Note 2 Page 9