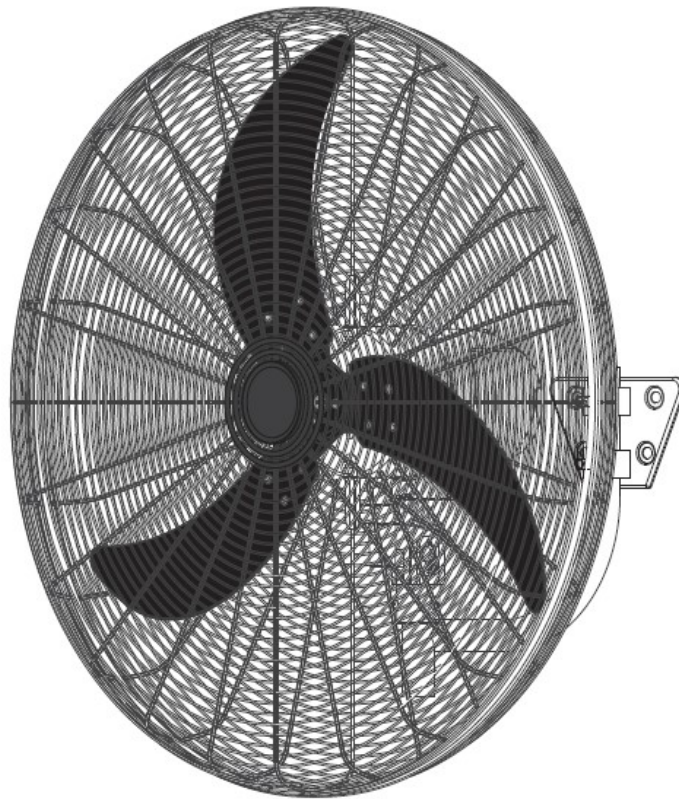


ventairtm

THE AIR MOVEMENT SPECIALISTS

INSTRUCTION MANUAL



(This photo is for reference only; it does not mean you are purchasing an identical product
Fan picture is for illustration purposes only. Styles may vary according to the model.)

Installation Manual

Models: WAL75-DC

CAUTION
Read Instructions Carefully
For Safe Installation and
Fan Operation

CONTENTS

- OVERVIEW
- ASSEMBLING
- OPERATION
- CARE AND MAINTENANCE
- TECHNICAL
- STORAGE AND DISPOSAL
- WARRANTY

THANK YOU FOR PURCHASING

Thank you for purchasing this quality Ventair cooling fan. To ensure correct function and safety, please read all instructions before using the product and keep all instructions for future reference.



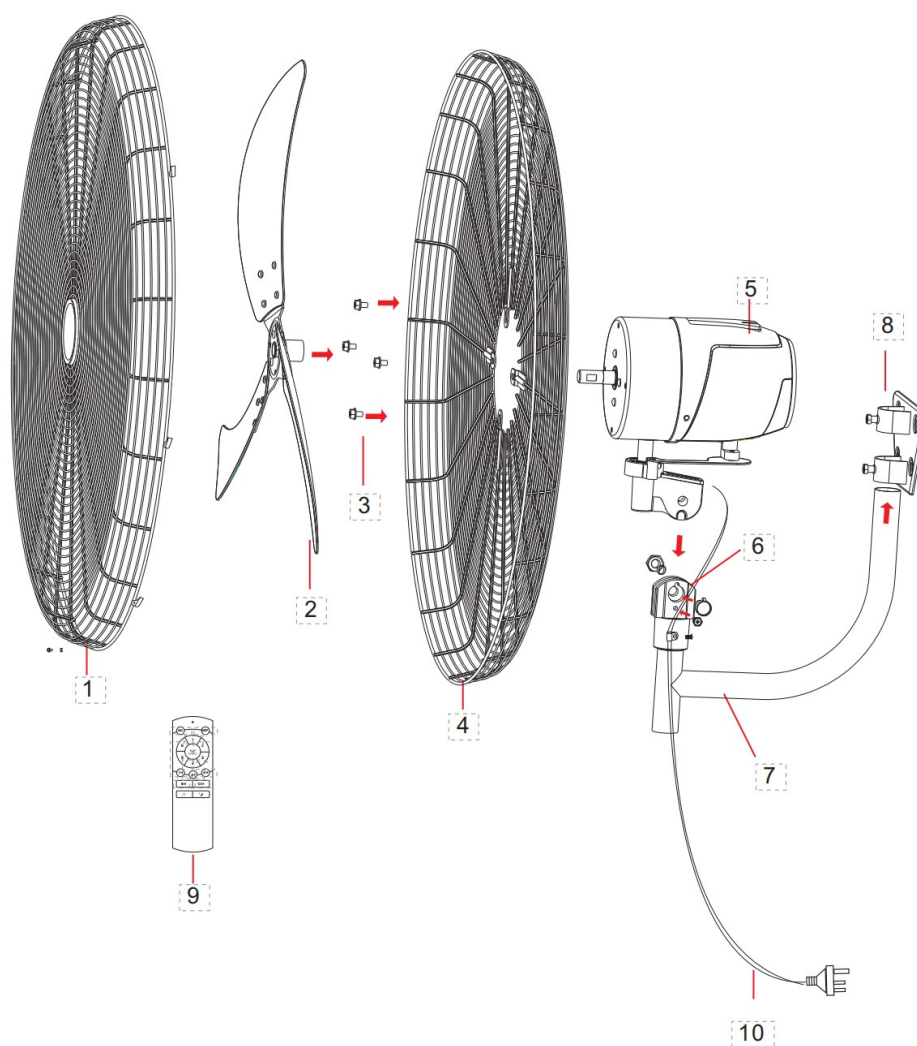
WARNING

When using electrical appliances, basic safety precautions should always be followed to reduce the risk of fire, electrical shock and personal injury.

1. Use this fan only as described in this manual. Other use not recommended may cause fire, electric shock or injury to persons. This will also void your warranty.
2. Always operate the product from a power source of the same voltage, frequency and rating as indicated on the rating label.
3. This product is intended for household and indoor use ONLY. Do not use it outdoors or anywhere it might be exposed to the elements.
4. To protect against electric shock: do not immerse unit, plug or cord in water or spray with liquids; do not place fan on windowsills or other places where it may be exposed to dripping or splashing of water; do not place vases or similar objects filled with liquids near the fan.
5. Do not use this product in the immediate vicinity of water, such as bathtubs, washbowls, swimming pools etc. where the likelihood of immersion or splashing could occur.
6. To reduce the risk of fire or electric shock, do not use this fan with any solid-state speed control device.
7. This appliance is not intended for use by persons (including children) with reduced physical, sensory or mental capabilities, or lack of experience and knowledge, unless they have been given supervision or instruction concerning use of the appliance by a person responsible for their safety.
8. This product is not a toy! Children should be supervised to ensure that they do not play with the appliance.
9. When the appliance is not in use and before cleaning, unplug the appliance from the outlet. Fully assemble the fan before switching on again.
10. To disconnect the fan, first turn the unit OFF, grip the plug and pull it from the wall outlet. Never pull the plug by the cord.
11. Do not operate the fan in the presence of explosive and/or flammable fumes.
12. Do not place the fan or any parts near an open flame, cooking or other heating appliance.
13. Do not operate fan with a damaged cord or plug, or if the product malfunctions, or is dropped or damaged in any manner.
14. Avoid contact with moving fan parts. Do not insert any body parts (e.g. finger) or objects through the grille when the fan is operating.
15. The use of attachments not recommended by the manufacturer may be hazardous.
16. Place the fan on a dry, level surface to avoid overturning.
17. Do not operate if the fan housing is damaged.
18. Do not cover the grille, or operate in close proximity to curtains, etc. Ensure adequate ventilation around the unit.
19. A loose fit between the AC outlet (receptacle) and plug may cause overheating and a distortion of the plug. Contact a qualified technician to replace loose or worn outlet.
20. If the supply cord is damaged, it must be replaced by the manufacturer, its service agent or similarly qualified persons in order to avoid hazard.

21. **WARNING:** The flexible supply cord connected to this fan shall be effectively fixed to the wall.
22. If the fan is not working properly, contact a qualified technician for examination and repair. Never attempt to dismantle the fan yourself.
23. Never install or store the unit where it could be subject to:
 - a. Heat sources such as radiators, heat registers, stoves or other products that produce heat
 - b. Direct sunlight
 - c. Mechanical vibration or shock
 - d. Excessive dust
 - e. Uneven surfaces
24. Do not leave the fan running unattended.
25. The fan must be fully and properly assembled before use.
26. The appliance is only intended for the purpose described in the user manual.
27. Do not use appliance or any part of the appliance out of the intended use to avoid risk.
28. The use of attachments which are not recommended or sold by the appliance manufacturer may cause a risk of injury to persons.
29. Sufficient details for installation supplied.

OVERVIEW



- | | |
|----------------------------------|--------------------------|
| 1. Grille | 6. Knuckle |
| 2. Fan Blade | 7. Pole |
| 3. 4 x Rear Grille Locking Screw | 8. Bracket |
| 4. Rear Grille | 9. Remote control |
| 5. DC Motor Housing | 10. Power cord with plug |

ASSEMBLING YOUR FAN

Assembling the Fan Body

If unsure, ask someone with experience to help you mount the fan.

1. Select an appropriate location (consider Power Cord length) and fix the Base onto a strong wall with the 4 provided M10*70 Expansion Bolts, you will first need to drill holes in the wall that match the holes in the Base. If the power cord is hanging loose between the fan and the power outlet, make sure it cannot touch or obstruct fan blade rotation or fan oscillation at any time. (Figure 1)

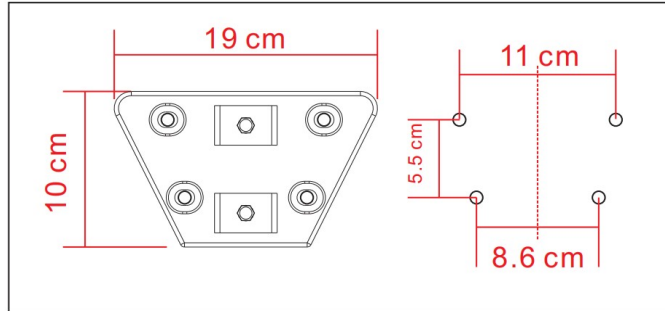


Figure 1

2. Slide the Pole into mounting bracket. Secure it with the 2 fixing bolts provided. Make sure the M8*12 bolt is fixing on Hole b and M8*42 bolt is passing through Hole a and Hole c at the same time. (Figure 2)
*Can also be mounted Upward. (Figure 7)

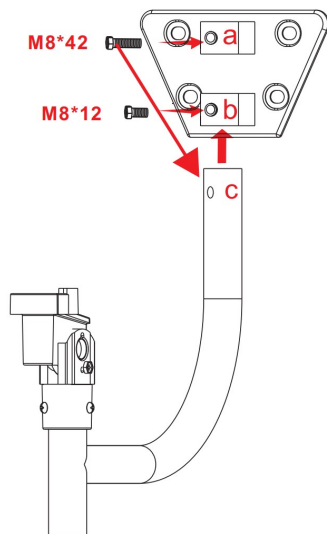


Figure 2

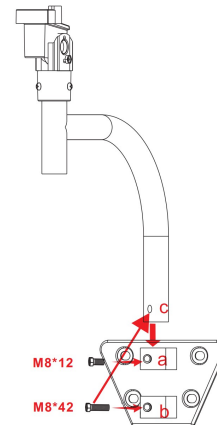


Figure 7

3. Unscrew the Knuckle screws M12*40 in the Knuckle and fit it onto the end of the Pole. Tighten the Knuckle screws until they are secured. Do not over tighten the screws - avoid using power tools to prevent over tightening.

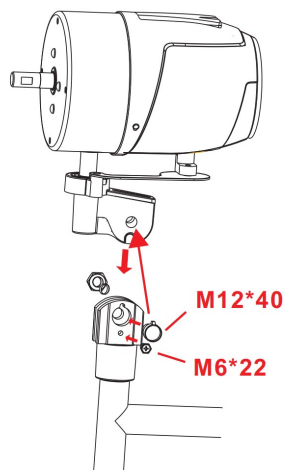


Figure 3

4. Unscrew the M6*20 screw on the pole. Place the power cable through the plastic cable holder then refix the holding screw. (Figure 4)

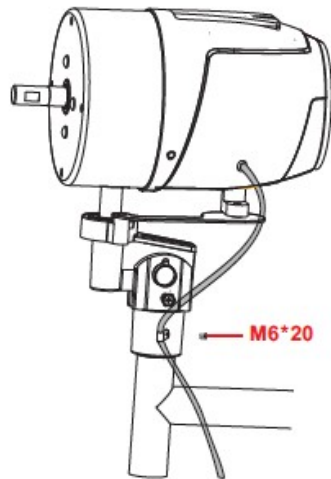


Figure 4

- * You can also install the fan Upward for your choice. (Figure 5)

The assembling method is same as above except for step 2.

Unscrew screw e and screw d on the pole connector. Fix the pole connector on the other side f, secure it by screw e and screw d. (Figure 6) Slide the Pole into mounting bracket. Secure it with the 2 fixing bolts provided. Make sure the M8*12 bolt is fixing on Hole a and M8*42 bolt is passing through Hole b and Hole c at the same time. (Figure 7)

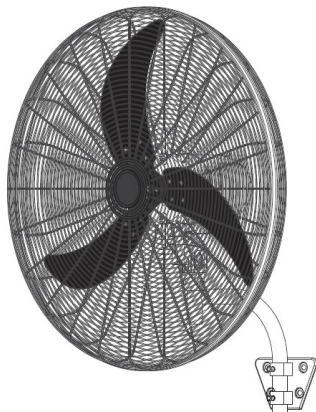


Figure 5

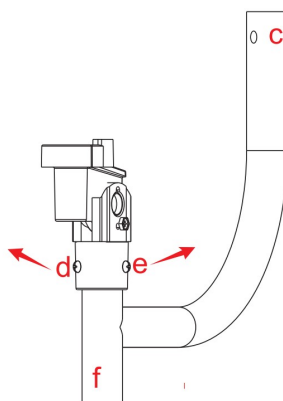


Figure 6

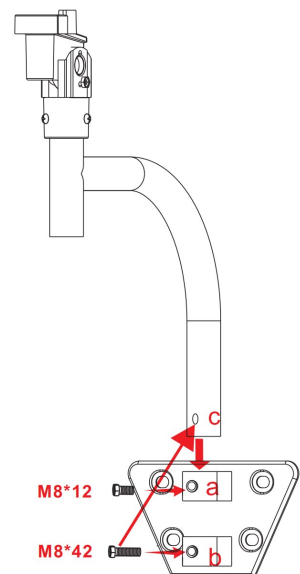
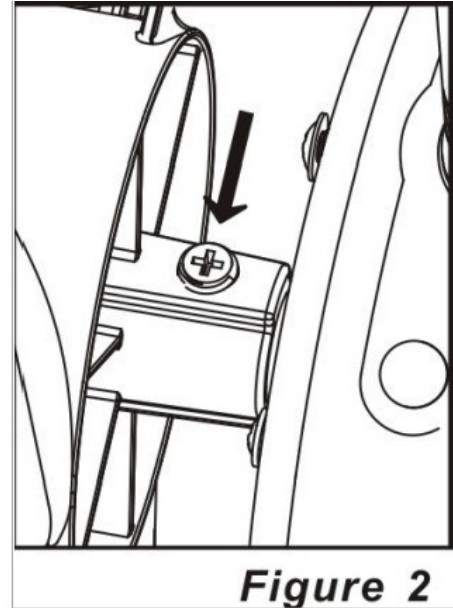
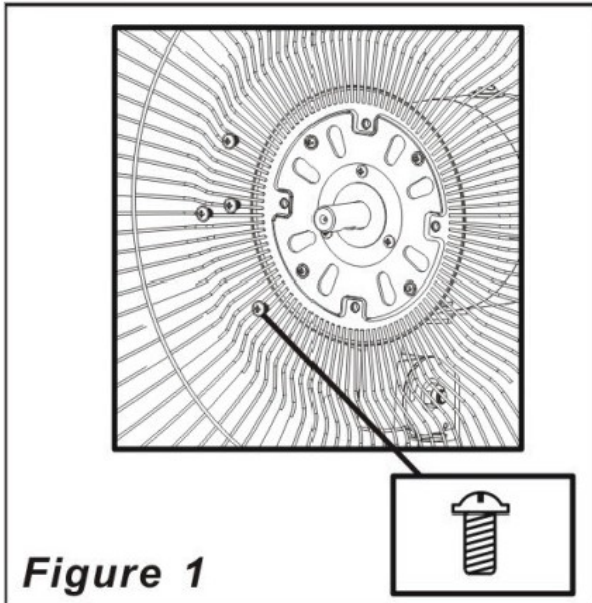


Figure 7

Assembling the Blade and Grille

1. Unscrew the 4 x Rear Grille Locking Screws from the Motor Housing.
2. Align the Rear Grille on the Motor Housing, ensure that the small hole for security screw is at the bottom. Then fix the rear grille in place using the 4 x Rear Grille Locking Screws (Figure 1).
3. Remove the protective sleeve on the motor shaft.
4. Loosen the Blade Screw, slide the Fan Blade onto the Motor Shaft as far as it will go. Replace the Blade Screw into the slot on the Motor Shaft and tighten clockwise. Ensure that the flat surface of the Motor Shaft is aligned with the Blade Screw. (Figure 2).



5. Centre the Front Grille by aligning the central logo so that it is horizontal and parallel to the floor. Snap the Grille Clips to secure; then tighten the Grille Locking Screw (and nut) on the bottom of the Rear Grille. (Figure 3)

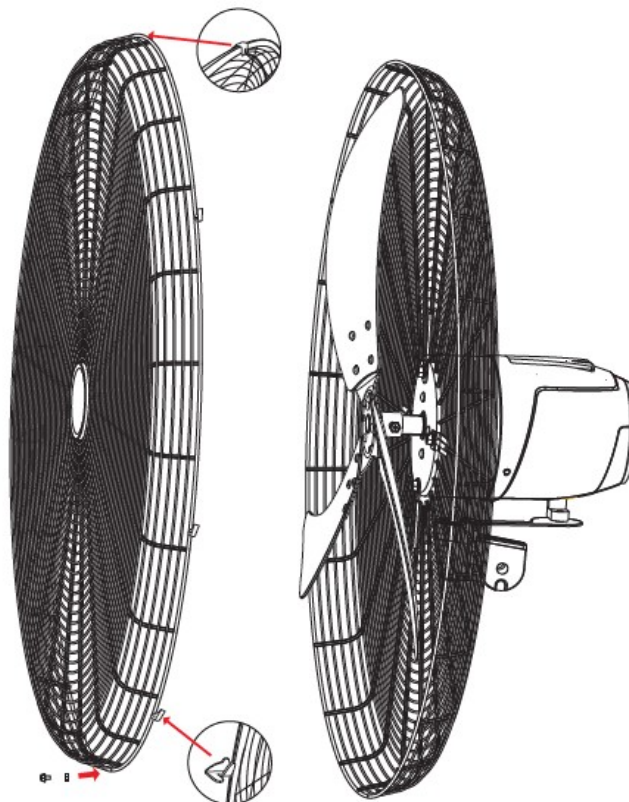
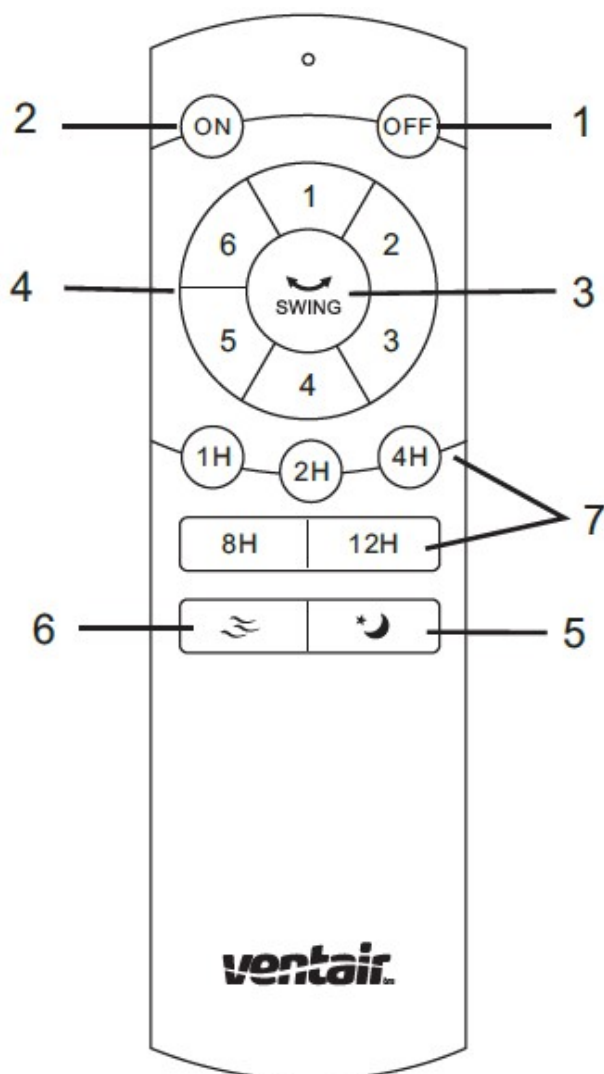


Figure 3.

OPERATION

Remote Control

There is a “beep” sound on the control panel every time the remote control key is used.



1. OFF Button
2. ON Button
3. Oscillates from side to side
4. Speed Button
5. Sleep Mode Button: Ultra low speed with gentle breeze effect and Lower noise level.
6. Natural Wind Mode Button: Fan speed varies automatically to simulate a breeze.
7. Timer Button

Note: Press timer button(7) to set the timer 1hr-2hr-4hr-8hr-12hr. The fan will turn off after set time. To Cancel the Timer , press and hold 12H for 3 secs until a 'Beep ' is heard.

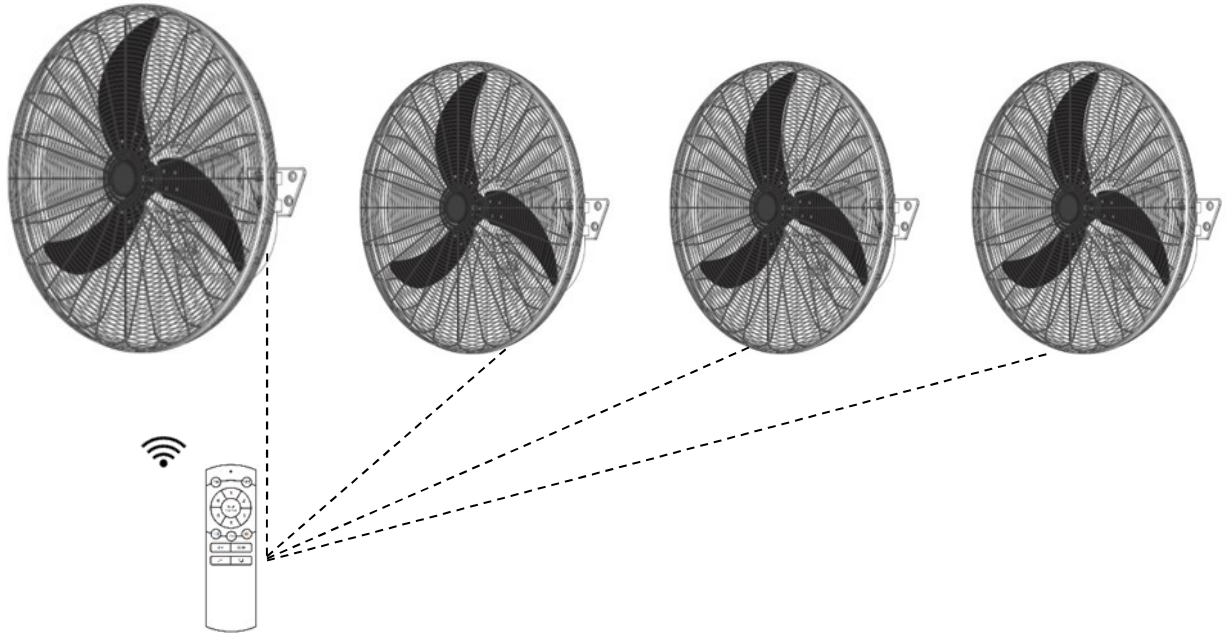
Tilt adjustment: Hold the fan head and loosen the M12*40 screw and M6*22 screw gently. Adjust the fan head with desirable angle and tighten the screws.

Caution: The fan should always be switched off when making this adjustment.

Remote Control Storage

Install the remote control holder on the wall and then place the remote control on the remote control holder.

Pairing Multiple fans to One Handpiece.



Pairing One Additional Fan Method.

Check that the batteries are installed in the remote control, plug in the fan you want to take control of and within 10 seconds, press the "ON" button four times on the 4th press, hold the "ON" button until you hear a beep sound, indicating that the pairing procedure was successful. After it, press "ON" button to turn on the fan.

Pairing Multiple Fans Method.

After a fan is successfully paired, plug off the power of the paired fan. Repeat the "One Remote to One Fan Pairing Method" for the next fan you want to pair.

Note: If you want to continue to pair multiple fans with the same remote control, please ensure that only one fan to be paired is plugged in. The same remote control can only be paired with a maximum of 10 fans, and the maximum remote control distance is 10m.

CARE AND MAINTENANCE



CAUTION

- Always switch off the fan before removing the grilles or performing any cleaning.
- Do not use harsh detergents, chemical cleaners or solvents as they may damage the surface finish of the components.

1. Loosen the Grille Screw and open the Grille Clips to detach the Front Grille.
2. Use a soft duster or a rag to dust off all the surfaces.
3. Wipe all the parts with a soft damp (not wet) cloth dipped in mild soapy water.
Caution: Ensure that water doesn't get into the Motor Unit.
4. Use a dry cloth to thoroughly dry the blades and the grilles before reassembling.

Make sure that the fan is completely assembled before switching on again.

TECHNICAL SPECIFICATIONS

Rated Voltage: 220-240V~ 50Hz

Rated Power: 130W

STORAGE AND DISPOSAL

If you do not plan to use the fan for extended periods of time, it is recommended that it is cleaned and stored (preferably in its original packaging) in a cool, dry place.



Do not dispose of electrical products with household waste. Please check with your local council for advice on disposal or recycling. If electrical appliances are disposed of in landfills or dumps, hazardous substances can leak into the groundwater and get into the food chain, damaging your health and well-being.

WARRANTY

OUR GOODS COME WITH GUARANTEES THAT CANNOT BE EXCLUDED UNDER THE AUSTRALIAN CONSUMER LAW. YOU ARE ENTITLED TO A REPLACEMENT OR REFUND FOR A MAJOR FAULT AND COMPENSATION FOR ANY OTHER REASONABLY FORESEEABLE LOSS OR DAMAGE. YOU ARE ALSO ENTITLED TO HAVE THE GOODS REPAIRED OR REPLACED IF THE GOODS FAIL TO BE OF ACCEPTABLE QUALITY AND THE FAILURE DOES NOT AMOUNT TO A MAJOR FAILURE.

This product is covered by a two years replacement warranty.

Before having the fan installed, check all the components to ensure there is no Visual damage. Should there be any damage, return the fan to place of purchase for Replacement.

The following points need to be checked before requesting a warranty replacement. Please ensure your installer also reads this information.

- The fan or relevant part has not been modified, subject to misuse, neglect or has been involved in an accident.
- The repairs are not required as a result of normal wear and tear.
- The product was installed in accordance with the instruction manual.
- No solid state speed control device has been used with this appliance.
- If you consider there are faults relating to the installation, contact your installer to Rectify. If you consider there is a manufacturer defect to the fan motor, contact the warranty Service line on 1300 665 926, or log the warranty at www.ventair.com.au/warranty

You will need to provide the following information:

- The name and contact details of the licensed electrical installer (if applicable)
- The brand, model number and colour of the unit.
- The date and place of purchase of the unit.
- The owners name, address and telephone contact numbers.
- The nature of the fault.

ventairtm
THE AIR MOVEMENT SPECIALISTS

4 CAPITAL PLACE
CARRUM DOWNS VIC 3201
PHONE: (03) 9775 0556
FAX: (03) 9775 0775