

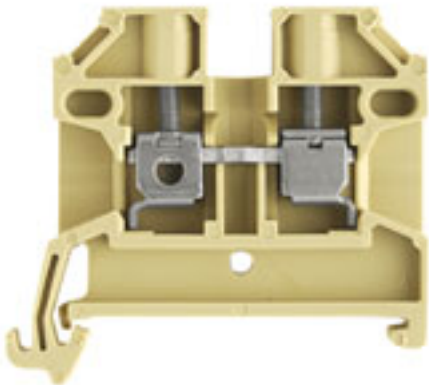
SAK 2.5/35**Weidmüller Interface GmbH & Co. KG**

Klingenbergstraße 26

D-32758 Detmold

Germany

www.weidmueller.com

Product image**Klippon® Connect with clamping yoke Technology**

The high reliability and variety of designs of the terminal blocks with clamping yoke connections make planning easier and optimises operational safety. Klippon® Connect provides a proven response to a range of different requirements.

General ordering data

| | |
|------------|--|
| Version | SAK Series, Feed-through terminal, Rated cross-section: 2.5 mm ² , Screw connection, beige, Direct mounting |
| Order No. | 0380460000 |
| Type | SAK 2.5/35 |
| GTIN (EAN) | 4008190042363 |
| Qty. | 100 pc(s). |

Creation date September 1, 2021 7:22:08 AM CEST

Catalogue status 27.08.2021 / We reserve the right to make technical changes.

SAK 2.5/35

Weidmüller Interface GmbH & Co. KG

Klingenbergstraße 26

D-32758 Detmold

Germany

www.weidmueller.com

Technical data

Dimensions and weights

| | | | |
|------------|---------|-----------------|------------|
| Depth | 40 mm | Depth (inches) | 1.575 inch |
| Height | 44.5 mm | Height (inches) | 1.752 inch |
| Width | 6.1 mm | Width (inches) | 0.24 inch |
| Net weight | 6.33 g | | |

Temperatures

| | | | |
|----------------------------------|----------------|----------------------------------|---|
| Storage temperature | | Operating temperature range | For operating temperature range see EC Design Test Certificate / IEC Ex-Certificate of Conformity |
| | -25 °C...55 °C | | |
| Continuous operating temp., min. | -50 °C | Continuous operating temp., max. | 100 °C |

Material data

| | | | |
|---------------------------|-------|--------|----------------|
| Material | PA 66 | Colour | beige / yellow |
| UL 94 flammability rating | V-2 | | |

Rating data IECEx/ATEX

| | | | |
|--------------------------------|---|---------------------------------|-------------------|
| Certificate No. (ATEX) | TUEV18ATEX8207U | Certificate No. (IECEX) | IECEXTUR18.0017U |
| Max. voltage (ATEX) | 690 V | Current (ATEX) | 24 A |
| Wire cross section max. (ATEX) | 6 mm ² | Max. voltage (IECEX) | 690 V |
| Current (IECEX) | 24 A | Wire cross section max. (IECEX) | 6 mm ² |
| Operating temperature range | For operating temperature range see EC Design Test Certificate / IEC Ex-Certificate of Conformity | Marking EN 60079-7 | |
| Ex 2014/34/EU label | II 2 G D | | Ex eb II C Gb |

System specifications

| | | | |
|-------------------------------------|---|-------------------------------|-----|
| Version | Screw connection, for screwable cross-connection, One end without connector | End cover plate required | Yes |
| Number of potentials | 1 | Number of levels | 1 |
| Number of clamping points per level | 2 | Number of potentials per tier | 1 |
| Levels cross-connected internally | No | PE connection | No |
| Rail | TS 35 | N-function | No |
| PE function | No | PEN function | No |

Additional technical data

| | | | |
|-----------------------------|---------|---------------------|-----------------|
| Explosion-tested version | Yes | Installation advice | Direct mounting |
| Number of similar terminals | 1 | Open sides | right |
| Type of mounting | Snap-on | | |

CSA rating data

| | | | |
|-------------------------------|-----------|-------------------------------|--------|
| Certificate No. (CSA) | 12400-129 | Current size C (CSA) | 25 A |
| Voltage size C (CSA) | 600 V | Wire cross section max. (CSA) | 10 AWG |
| Wire cross section min. (CSA) | 26 AWG | | |

SAK 2.5/35

Weidmüller Interface GmbH & Co. KG

Klingenbergstraße 26

D-32758 Detmold

Germany

www.weidmueller.com

Technical data

Conductors for clamping (additional connection)

Conductor cross-section, flexible plus plastic collar DIN 46228/1, further connection, max. 4 mm²

Conductors for clamping (rated connection)

| | | | |
|---|----------------------|---|---------------------|
| Blade size | 0.6 x 3.5 mm | Clamping range, max. | 6 mm ² |
| Clamping range, min. | 0.13 mm ² | Clamping screw | M 2.5 |
| Connection cross-section, stranded, max. | 4 mm ² | Connection cross-section, stranded, min. | 0.5 mm ² |
| Connection direction | on side | Gauge to IEC 60947-1 | A3 |
| Number of connections | 2 | Stripping length | 10 mm |
| Tightening torque, max. | 0.8 Nm | Tightening torque, min. | 0.4 Nm |
| Torque level with DMS electric screwdriver | 1 | Twin wire-end ferrules, max. | 1.5 mm ² |
| Twin wire-end ferrules, min. | 0.5 mm ² | Type of connection | Screw connection |
| Wire connection cross section AWG, min. | AWG 26 | Wire connection cross section, finely stranded, max. | 4 mm ² |
| Wire connection cross section, finely stranded, min. | 0.5 mm ² | Wire connection cross-section, finely stranded with wire-end ferrules DIN 46228/1, max. | 4 mm ² |
| Wire connection cross-section, finely stranded with wire-end ferrules DIN 46228/1, min. | 0.5 mm ² | Wire connection cross-section, finely stranded with wire-end ferrules DIN 46228/4, max. | 4 mm ² |
| Wire connection cross-section, finely stranded with wire-end ferrules DIN 46228/4, min. | 0.5 mm ² | Wire connection cross-section, solid core, max. | 6 mm ² |
| Wire connection cross-section, solid core, min. | 0.5 mm ² | | |

General

| | | | |
|---------------------|-----------------|---|--------|
| Installation advice | Direct mounting | Rail | TS 35 |
| Standards | IEC 60947-7-1 | Wire connection cross section AWG, min. | AWG 26 |

Rating data

| | | | |
|---------------------------------|---------------------|--|---------|
| Rated cross-section | 2.5 mm ² | Rated voltage | 800 V |
| Rated current | 24 A | Current at maximum wires | 41 A |
| Standards | IEC 60947-7-1 | Volume resistance according to IEC 60947-7-x | 1.33 mΩ |
| Rated impulse withstand voltage | 8 kV | Power loss in accordance with IEC 60947-7-x | 0.77 W |
| Pollution severity | 3 | | |

UL rating data

| | | | |
|---|--------|---|--------|
| Certificate No. (UR) | E60693 | Conductor size Factory wiring max. (UR) | 12 AWG |
| Conductor size Factory wiring min. (UR) | 22 AWG | Conductor size Field wiring max. (UR) | 12 AWG |
| Conductor size Field wiring min. (UR) | 22 AWG | Current size C (UR) | 20 A |
| Voltage size C (UR) | 600 V | | |

SAK 2.5/35

Weidmüller Interface GmbH & Co. KG

Klingenbergstraße 26

D-32758 Detmold

Germany

www.weidmueller.com

Technical data

Classifications

| | | | |
|-------------|-------------|-------------|-------------|
| ETIM 6.0 | EC000897 | ETIM 7.0 | EC000897 |
| ETIM 8.0 | EC000897 | ECLASS 9.0 | 27-14-11-20 |
| ECLASS 9.1 | 27-14-11-20 | ECLASS 10.0 | 27-14-11-20 |
| ECLASS 11.0 | 27-14-11-20 | | |

Approvals

Approvals



| | |
|-----------------------|---------|
| ROHS | Conform |
| UL File Number Search | E60693 |

Downloads

| | |
|---|---|
| Approval/Certificate/Document of Conformity | Attestation of Conformity CFAT SAK 2.5/35 CB Certificate CB Test Certificate EAC certificate DNVGL certificate Lloyds Register Certificate MARITREG Certificate EAC EX Certificate IECEX Certificate ATEX Certificate Declaration of Conformity Declaration of Conformity all terminals |
| Engineering Data | 22364_SAK_2.5-35_DXF.dxf |
| Engineering Data | EPLAN_WSCAD |
| Product Change Notification | 20210308 Technical Change SAK PA 35 |
| User Documentation | StorageConditionsTerminalBlocks NTI SAK 2.5/35 |
| Catalogues | Catalogues in PDF-format |