

RSS113024**Weidmüller Interface GmbH & Co. KG**

Klingenbergstraße 26

D-32758 Detmold

Germany

www.weidmueller.com

Product image

Similar to illustration

Individual relays for TERMSERIES

- Electromechanical relays
- Different contact materials

General ordering data

| | |
|------------|---|
| Version | TERMSERIES, Relay, Number of contacts: 1, CO contact AgNi, Rated control voltage: 24 V DC, Continuous current: 6 A, Plug-in connection, Test button available: No |
| Order No. | 4060120000 |
| Type | RSS113024 |
| GTIN (EAN) | 4032248252251 |
| Qty. | 20 pc(s). |

Creation date 15 June 2023 03:59:34 CEST

Catalogue status 09.06.2023 / We reserve the right to make technical changes.

RSS113024

Weidmüller Interface GmbH & Co. KG

Klingenbergstraße 26

D-32758 Detmold

Germany

www.weidmueller.com

Technical data

Dimensions and weights

| | | | |
|------------|-------|-----------------|------------|
| Depth | 15 mm | Depth (inches) | 0.591 inch |
| Height | 28 mm | Height (inches) | 1.102 inch |
| Width | 5 mm | Width (inches) | 0.197 inch |
| Net weight | 6 g | | |

Temperatures

| | | | |
|-----------------------------|---|-----------------------------|----------------|
| Storage temperature | -40 °C...85 °C | Operating temperature | -40 °C...85 °C |
| Operating temperature, min. | -40 °C | Operating temperature, max. | 85 °C |
| Humidity | 5...85 % rel. humidity, no condensation | | |

Rated data UL

| | |
|-------------------------|---------|
| Certificate No. (cURus) | E351070 |
|-------------------------|---------|

Control side

| | | | |
|-----------------------|---------------|--------------------------------|-------------------|
| Rated control voltage | 24 V DC | Rated current DC | 7 mA |
| Power rating | 170 mW | Pull-in/drop-out voltage, typ. | 16.8 V / 1.2 V DC |
| Coil resistance | 3388 Ω ± 10 % | Coil tolerance | 10 % |
| Status indicator | No | | |

Load side

| | | | |
|---|---|---|--------------------------------------|
| Rated switching voltage | 250 V AC | Continuous current | 6 A |
| Max. switching frequency at rated load | 0.1 Hz | Max. switching voltage, AC | 250 V |
| Max. switching voltage, DC | 250 V | Inrush current | 20 A / 20 ms |
| AC switching capacity (resistive), max. | 1500 VA | DC switching capacity (resistive), max. | 144 W @ 24 V |
| Switch-on delay | < 8 ms | Switch-off delay | < 4 ms |
| Contact type | 1 CO contact (AgNi) | Mechanical service life | 5 x 10 ⁶ switching cycles |
| Min. switching power | 1 mA @ 24 V, 10 mA @ 10 V, 100 mA @ 5 V | | |

General data

| | | | |
|-----------------------|-------|--------------------------------------|-----|
| Test button available | No | Mechanical switch position indicator | No |
| Colour | white | UL 94 flammability rating | V-0 |

Insulation coordination

| | | | |
|---|-----------------------------|--|------------------------------|
| Clearance and creepage distances for control side - load side | ≥ 6 mm | Dielectric strength for control side - load side | 4 kV _{eff} / 1 Min. |
| Dielectric strength of open contact | 1 kV _{eff} / 1 min | Protection degree | IP67 |

Further details of approvals / standards

| | | | |
|-----------------------|----------|-------------------------|---------|
| Certificate No. (VDE) | 40011505 | Certificate No. (cURus) | E351070 |
|-----------------------|----------|-------------------------|---------|

Connection data

| | |
|------------------------|--------------------|
| Wire connection method | Plug-in connection |
|------------------------|--------------------|

RSS113024

Weidmüller Interface GmbH & Co. KG
 Klingenbergstraße 26
 D-32758 Detmold
 Germany

www.weidmueller.com

Technical data

Classifications

| | | | |
|-------------|-------------|-------------|-------------|
| ETIM 6.0 | EC001437 | ETIM 7.0 | EC001437 |
| ETIM 8.0 | EC001437 | ECLASS 9.0 | 27-37-16-01 |
| ECLASS 9.1 | 27-37-16-01 | ECLASS 10.0 | 27-37-16-01 |
| ECLASS 11.0 | 27-37-16-01 | ECLASS 12.0 | 27-37-16-01 |

Approvals

Approvals



| | |
|-------------------------|------------|
| ROHS | Conform |
| UL File Number Search | UL Website |
| Certificate No. (cURus) | E35 1070 |

Downloads

| | |
|------------------|--|
| Engineering Data | CAD data – STEP |
| Engineering Data | WSCAD |
| Catalogues | Catalogues in PDF-format |
| Brochures | |

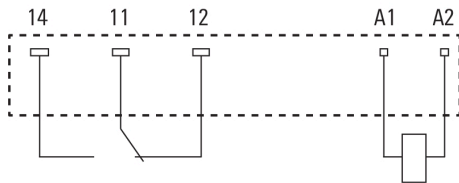
RSS113024

Weidmüller Interface GmbH & Co. KG
 Klingenbergstraße 26
 D-32758 Detmold
 Germany

www.weidmueller.com

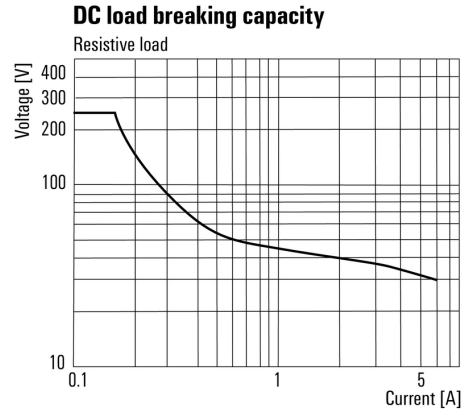
Drawings

Wiring diagram



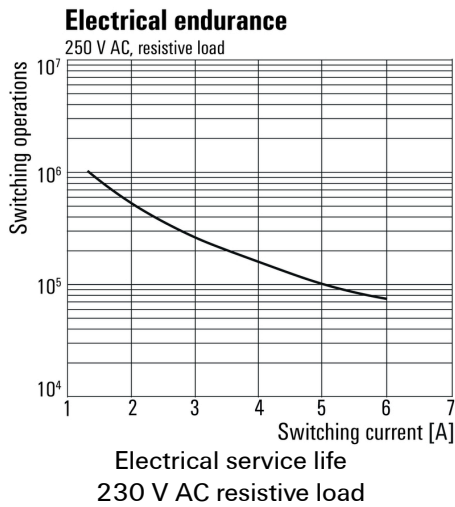
View of Pins from below

Graph

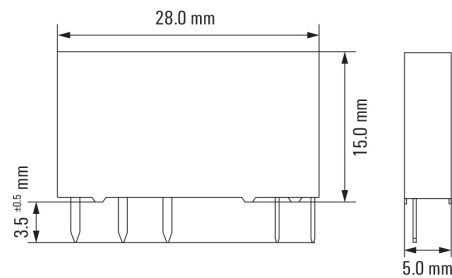


DC load limit curve

Graph

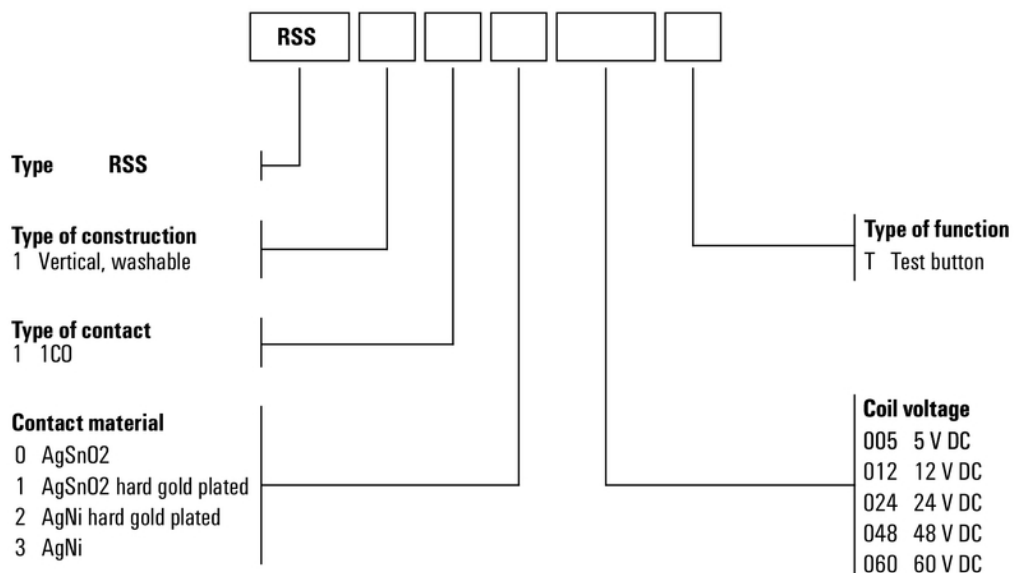


Dimensional drawing



Miscellaneous

Type code electromechanical relay (TERMSERIES)



Type codes